

# Simple Specials: -XA1 to XA23/-XA26 to XA30: Change of Rod End Shape

These changes are dealt with Simple Specials System. Refer to the front matter pages for details.

## 4 CQ2/RQ/CLQ (ø32 to ø100)/CQ2 large bore size (ø125 to ø200) : Change of Rod End Shape

### Applicable Series

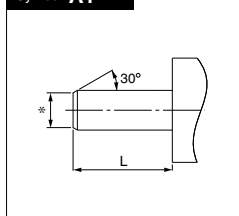
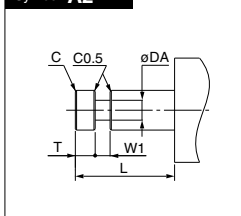
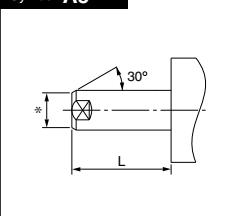
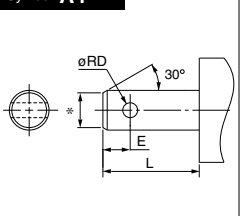
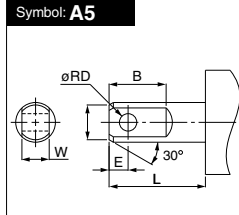
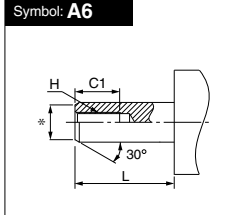
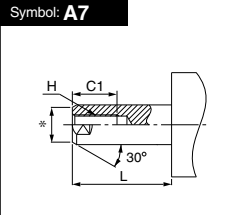
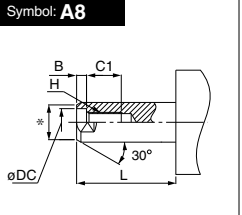
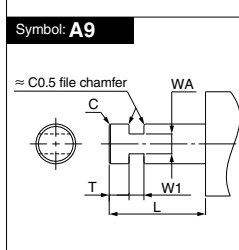
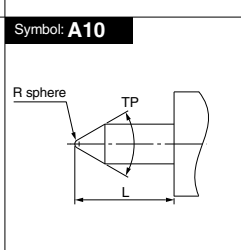
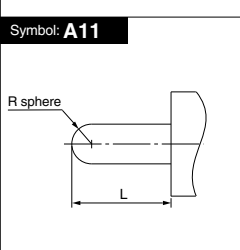
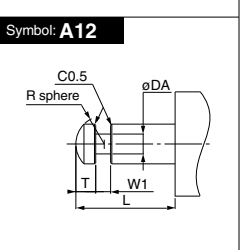
Series		Action	Symbol for change of rod end shape
CQ2	Standard type	CQ2-Z	XA1 to 23 XA26 to 30
		CQ2W-Z	
	Axial piping type (Centralized piping type)	CQP2	
		CQ2-S-Z	
	Anti-lateral load	CQ2-Z	
	Long stroke	CQ2K-Z	
Non-rotating rod type	CQ2K-W	XA1/XA2/XA6 XA10 to XA14 XA19/XA21	
	CQ2KW-Z	XA1 to 23 XA26 to 30	

Note) Single acting, spring extend type is available as a special order.

Series		Action	Symbol for change of rod end shape
CQ2	Large bore size ø125 to ø200	CQ2-Z	XA1 to 23 XA26 to 30
		CQ2W-Z	
	Longer life cylinder (ø32, ø40)	CQ2-XB24	XA6/XA7 XA17/XA18
RQ	Standard type	RQ	XA1 to 23 XA26 to 30
CLQ	With lock	CLQ	XA1 to 23 XA26 to 30

### ⚠ Precautions

- SMC will make appropriate arrangements if no dimension, tolerance, or finish instructions are given in the diagram.
- Standard dimensions marked with "\*" will be as follows to the rod diameter (D). Enter any special dimension you desire.  
D – 2 mm
- In the case of double rod, fill in the dimension when the rod is retracted.
- The L dimension of the CQ2-XB24 should be made smaller than that of the standard product.

<p>Symbol: <b>A1</b></p> 	<p>Symbol: <b>A2</b></p> 	<p>Symbol: <b>A3</b></p> 	<p>Symbol: <b>A4</b></p> 
<p>Symbol: <b>A5</b></p> 	<p>Symbol: <b>A6</b></p> 	<p>Symbol: <b>A7</b></p> 	<p>Symbol: <b>A8</b></p> 
<p>Symbol: <b>A9</b></p> 	<p>Symbol: <b>A10</b></p> 	<p>Symbol: <b>A11</b></p> 	<p>Symbol: <b>A12</b></p> 

# Simple Specials: Change of Rod End Shape

Symbol

**-XA1 to XA23/-XA26 to XA30**

<p>Symbol: <b>A13</b></p>	<p>Symbol: <b>A14</b></p>	<p>Symbol: <b>A15</b></p>	<p>Symbol: <b>A16</b></p>
<p>Symbol: <b>A17</b></p>	<p>Symbol: <b>A18</b></p>	<p>Symbol: <b>A19</b></p>	<p>Symbol: <b>A20</b></p>
<p>Symbol: <b>A21</b></p>	<p>Symbol: <b>A22</b></p>	<p>Symbol: <b>A23</b></p>	<p>Symbol: <b>A26</b></p>
<p>Symbol: <b>A27</b></p>	<p>Symbol: <b>A28</b></p>	<p>Symbol: <b>A29</b></p>	<p>Symbol: <b>A30</b></p>

-X□