

ATEX Compliant Air cylinder

Standard: Double Acting, Single Rod

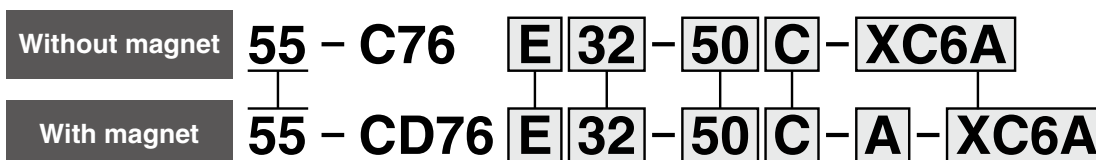
Series 55-C76

ø32, ø40



CE II 2G Ex h IIC T5..T4 Gb
II 2D Ex h IIIC T90°C..T110°C Db

How to Order



ATEX category 2

Built-in magnet for auto switch

Mounting

E	Double end
F*	Front nose
Y*	Front nose in line port

* Except air cushion type.

Bore size

32	32 mm
40	40 mm

Made to Order

	Standard
Nil	Standard
XC6A	Stainless steel piston rod and rod-end nut
XC6B	Stainless steel piston rod, rod-end nut and mounting nut
XC22*	Fluororubber seals
XC85	Food grade grease
X2018	Long stroke

* Only with rubber cushion type.

Auto switch mounting

A	Rail mounting
B	Band mounting

Cushion

Nil	Rubber cushion (Standard)
C	Air cushion (only "E" execution)

Cylinder stroke

Bore size (mm)	Standard stroke	X2018 (Long stroke)
32	10,25,40,50,80,100	
40	125,160,200,250,300	301 to 1000

Mounting Bracket Part No.

		Bore size (mm)	
		32	40
Mounting bracket	Foot (1 pc.)	C76F32A	C76F40A
	Foot (2 pcs. with mounting nut 1 pc.)	C76F32B	C76F40B
	Trunnion	C76T32	C76T40
	Clevis	C76C32	C76C40
Accessory	Single knuckle joint	KJ10DA	KJ12DA
	Double knuckle joint	GKM10-20A	GKM12-24A
	Floating joint	JA25-10-150	JA40-12-175

Refer to page 69 for applicable auto switches.

Refer to page 36 for dimensions.

Specifications

Bore size (mm)	ø32	ø40
Action	Double Acting, Single rod	
Fluid	Air	
Proof pressure	1.5 MPa	
Max. operating pressure	1.0 MPa	
Min. operating pressure	0.05 MPa	
Ambient and fluid temperature	-10 to 60°C (No freezing)	
Lubrication	Not required (Non-lube)	
Piston speed	50 to 1000 mm/s	
Stroke tolerance	+1.4 0 mm	
Cushion	Rubber cushion, Air cushion	
Port size	G1/8	G1/4
Mounting	Double end, Front nose, Front nose in line port	

ATEX Compliant Air cylinder

Standard: Double Acting, Double Rod

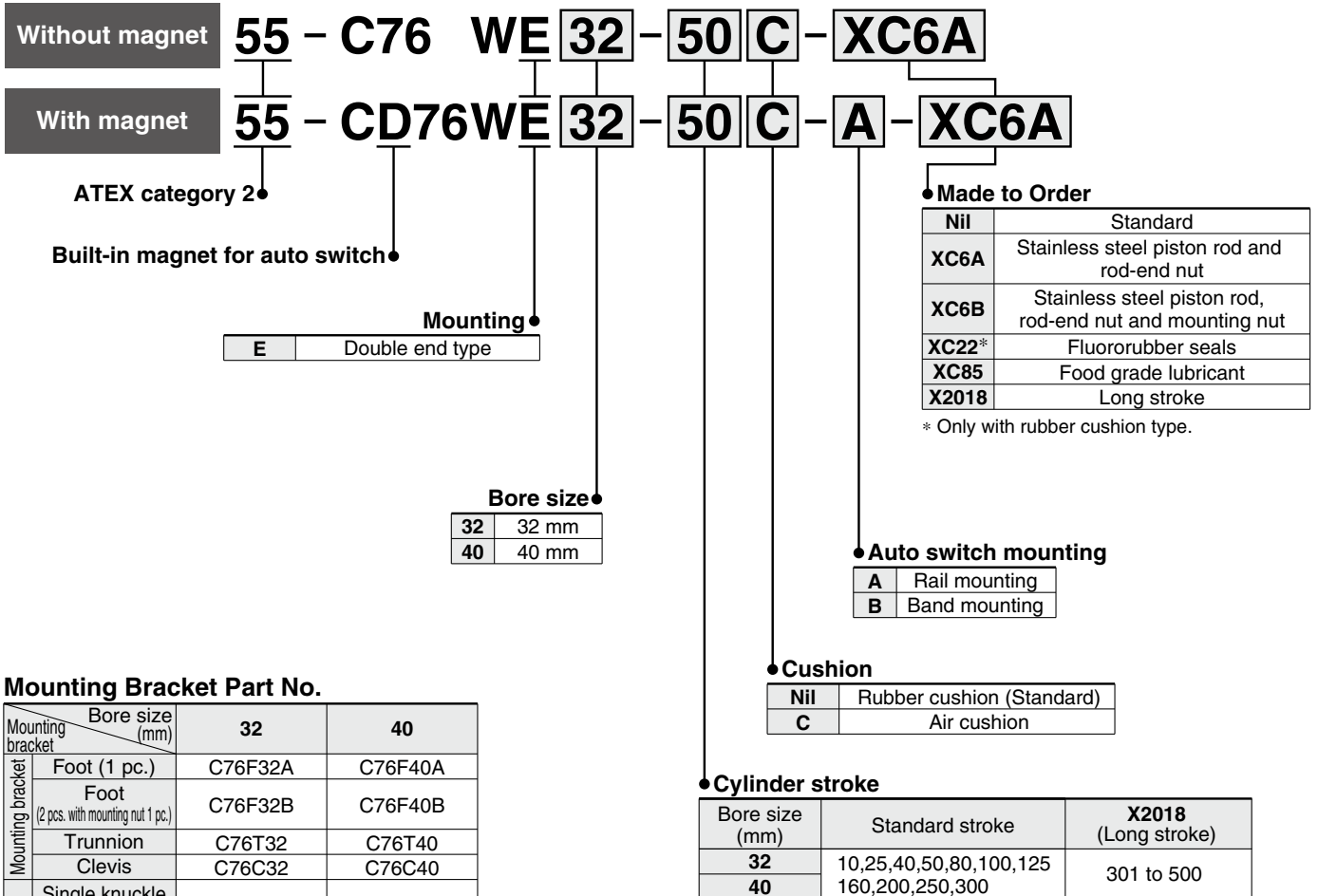
Series 55-C76W

Ø32, Ø40



CE II 2G Ex h IIC T5..T4 Gb
II 2D Ex h IIC T90°C..T110°C Db

How to Order



Mounting Bracket Part No.

Mounting bracket	Bore size (mm)	Mounting bracket	
		32	40
Foot (1 pc.)		C76F32A	C76F40A
Foot (2 pcs. with mounting nut 1 pc.)		C76F32B	C76F40B
Trunnion		C76T32	C76T40
Clevis		C76C32	C76C40
Accessory	Single knuckle joint	KJ10DA	KJ12DA
	Double knuckle joint	GKM10-20A	GKM12-24A
	Floating joint	JA25-10-150	JA40-12-175

Refer to page 69 for applicable auto switches.

Refer to pages 37 and 38 for dimensions.

Specifications

Bore size (mm)	Ø32	Ø40
Action	Double Acting, Double Rod	
Fluid	Air	
Proof pressure	1.5 MPa	
Max. operating pressure	1.0 MPa	
Min. operating pressure	0.05 MPa	
Ambient and fluid temperature	-10 to 60°C (no freezing)	
Lubrication	Not required (Non-lube)	
Piston speed	50 to 1000 mm/s	
Stroke tolerance	+1.4 0 mm	
Cushion	Rubber cushion, Air cushion	
Port size	G1/8	G1/4
Mounting	Double end	

ATEX Compliant Air cylinder

Non-rotating Type: Double Acting, Single Rod

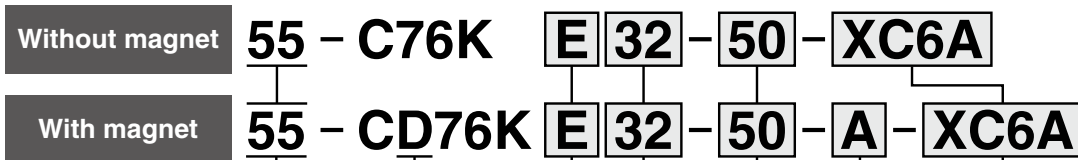
Series 55-C76K

Ø32, Ø40



CE II 2G Ex h IIC T5..T4 Gb
II 2D Ex h IIC T90°C..T110°C Db

How to Order



ATEX category 2

Built-in magnet for auto switch

Mounting

E	Double end
F	Front nose
Y	Front nose in line port

Bore size

32	32 mm
40	40 mm

Made to Order

Nil	Standard
XC6A	Stainless steel piston rod and rod-end nut
XC6B	Stainless steel piston rod, rod-end nut and mounting nut
X2018	Long stroke

Auto switch mounting

A	Rail mounting
B	Band mounting

Cylinder stroke

Bore size (mm)	Standard stroke	X2018 (Long stroke)
32	10,25,40,50,80,100	301 to 1000
40	125,160,200,250,300	

Mounting Bracket Part No.

Mounting bracket		32	40
Mounting bracket	Foot (1 pc.)	C76F32A	C76F40A
	Foot (2 pcs. with mounting nut 1 pc.)	C76F32B	C76F40B
	Trunnion	C76T32	C76T40
	Clevis	C76C32	C76C40
Accessory	Single knuckle joint	KJ10DA	KJ12DA
	Double knuckle joint	GKM10-20A	GKM12-24A
	Floating joint	JA25-10-150	JA40-12-175

Refer to page 69 for applicable auto switches.

Refer to page 36 for dimensions.

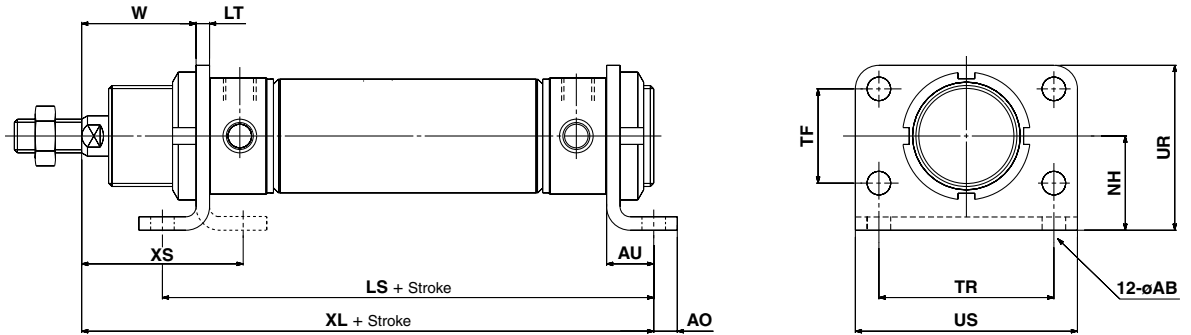
Specifications

Bore size (mm)	Ø32	Ø40
Action	Double Acting, Single Rod	
Fluid	Air	
Proof pressure	1.5 MPa	
Max. operating pressure	1.0 MPa	
Min. operating pressure	0.05 MPa	
Ambient and fluid temperature	-10 to 60°C (No freezing)	
Lubrication	Not required (Non-lube)	
Piston speed	50 to 1000 mm/s	
Stroke tolerance	$\begin{matrix} +1.4 \\ 0 \end{matrix}$ mm	
Cushion	Rubber cushion	
Port size	G1/8	G1/4
Non-rotating accuracy	±0.5°	±0.5°
Mounting	Double end, Front nose, Front nose in line port	

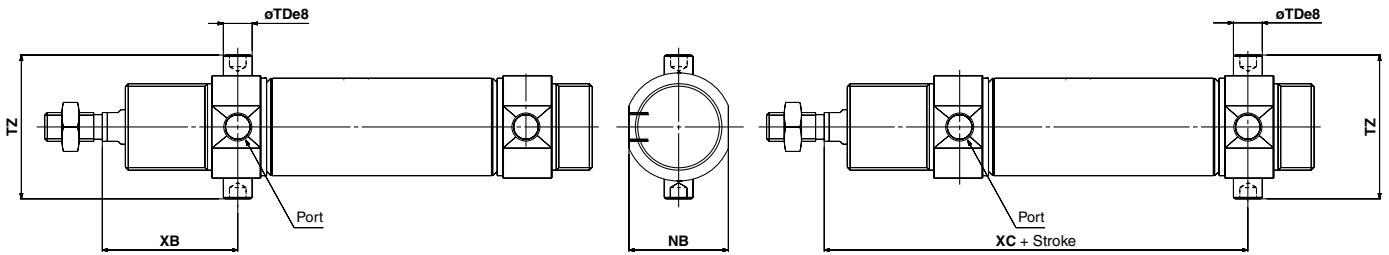
Dimensions

Double Acting, Single Rod

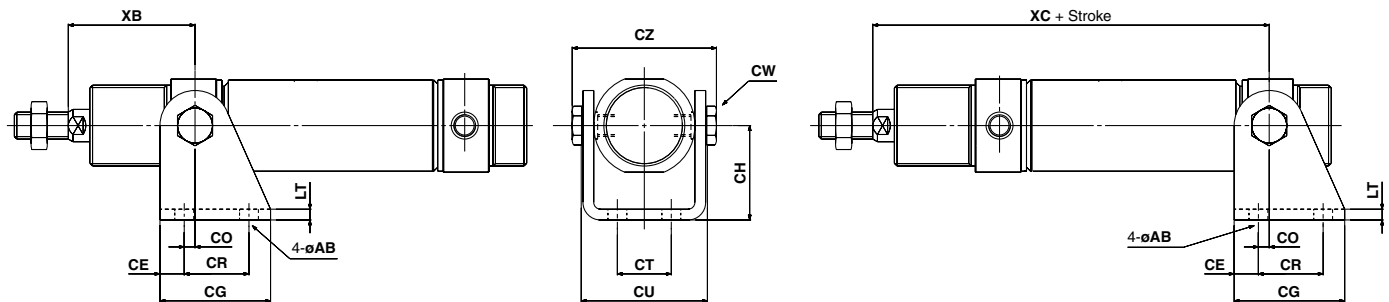
Rod foot, Head foot (Flange): C76F32^A, C76F40^B



Rod trunnion, Head trunnion: C76T32, C76T40



Rod clevis, Head clevis: C76C32, C75C40



Bore size	Rod foot, Head foot (Flange)												Rod trunnion, Head trunnion				Rod clevis, Head clevis														
	AB	AO	AU	LS	LT	NH	TF	TR	UR	US	W	XL	XS	NB	TDe8	TZ	XB	XC	AB	CE	CG	CH	CO	CR	CT	CU	CW	CZ	LT	XB	XC
32	7	7	14	96	4	28	28	52	49	66	34	120	48	34.5	10 ^{-0.025/-0.047}	47.9	47	97	7	9	41	35	4	24	20	46.8	13	57.9	4	47	97
40	9	10	20	129	5	33	30	60	58	80	40	154	60	42.5	12 ^{-0.032/-0.059}	59.3	57	122	9	12	52	40	3	30	28	58.2	17	72.3	5	57	122

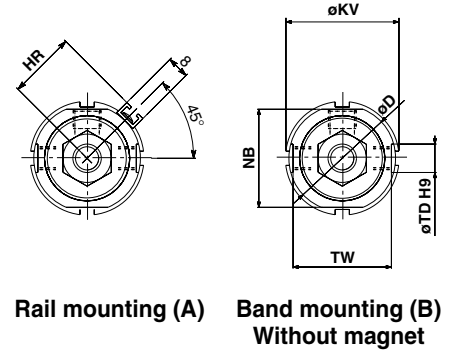
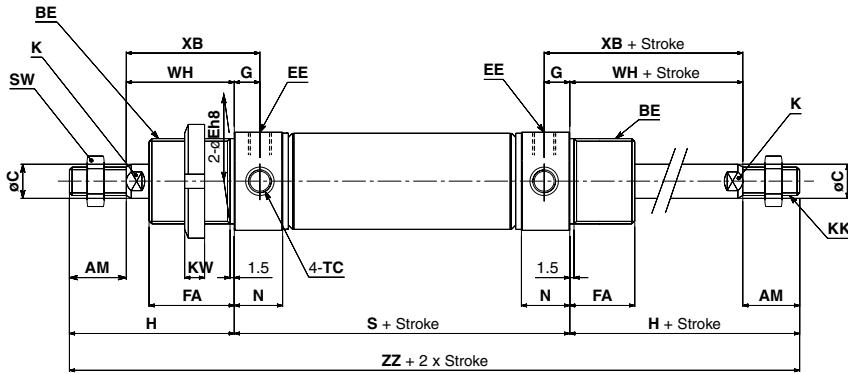
(mm)

Dimensions

Double Acting, Double Rod

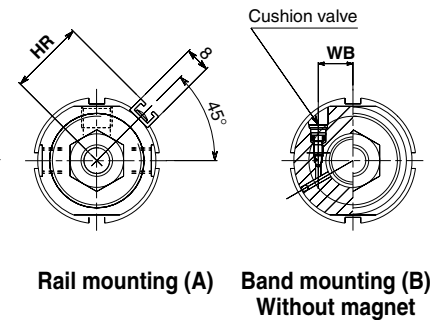
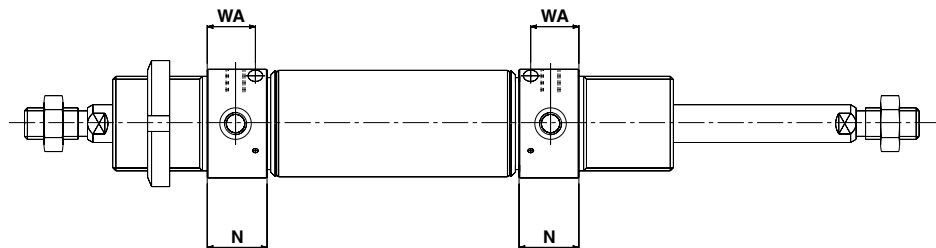
Rubber cushion: C□76WE Bore size - Stroke -

Without magnet, Built-in magnet



Air cushion: C□76WE Bore size - Stroke C -

Built-in magnet



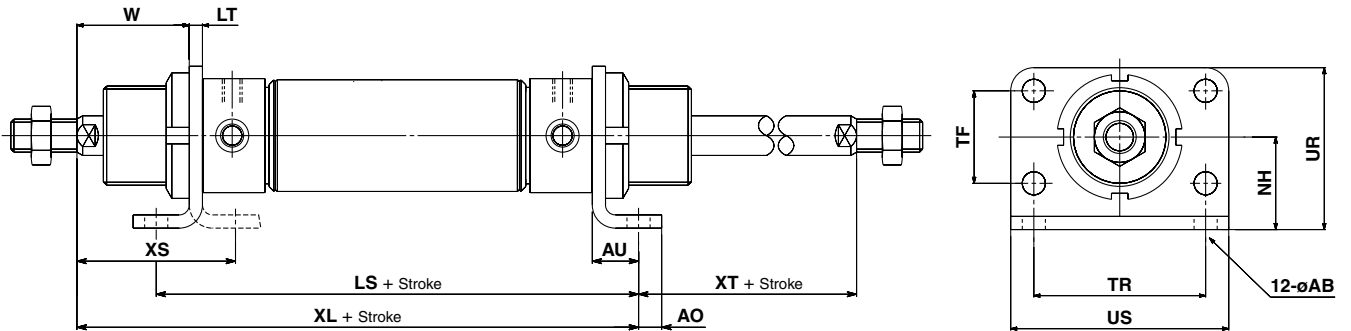
Bore size	AM	BE	C	D	Eh8	EE	FA	G	H	HR	K	KK	KV	WB	KW	N	NB	S	SW	TC	TDH9	TW	WH	XB	ZZ	WA
32	20	M30 x 1.5	12	37.5	30 ⁰ _{-0.033}	G 1/8	30	9	58	23.8	10	M10 x 1.5	38	11	7	17(19)	34.5	68	17	M8 x 1	10 ^{+0.036} ₀	34.5	38	47	184	15.3
40	24	M38 x 1.5	14	46.5	38 ⁰ _{-0.039}	G 1/4	35	12	69	28.3	12	M12 x 1.75	50	13	8	22(25)	42.5	89	19	M10 x 1	12 ^{+0.043} ₀	42.5	45	57	227	20

() : In the case of air cushion

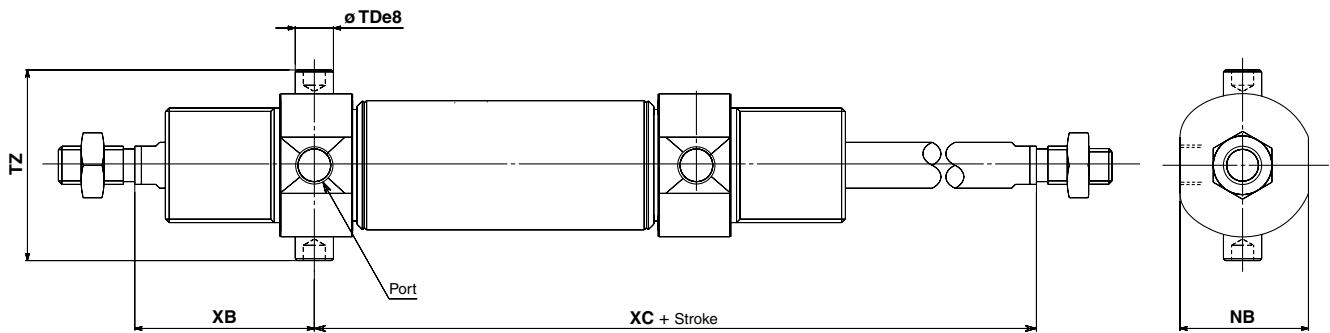
Dimensions

Double Acting, Double Rod

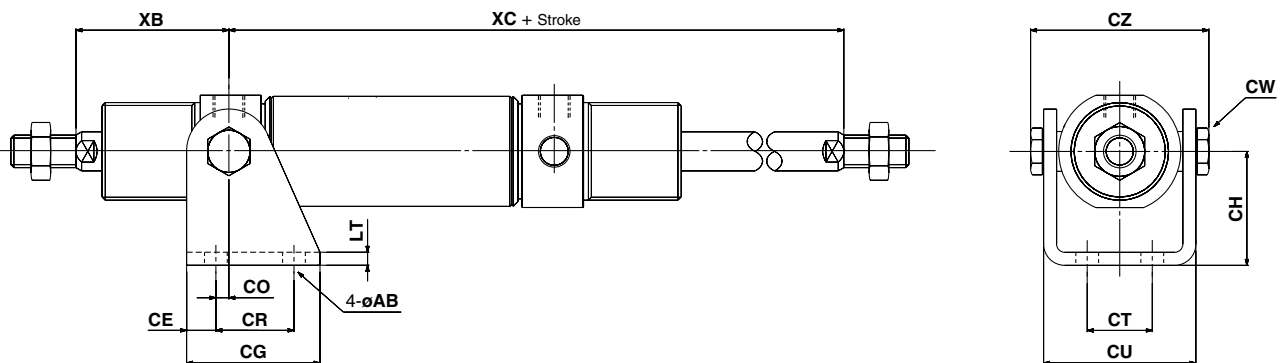
Rod foot, Head foot (Flange): C76F32^A, C76F40^A



Rod trunnion, Head trunnion: C76T32, C76T40



Clevis type: C76C32, C75C40

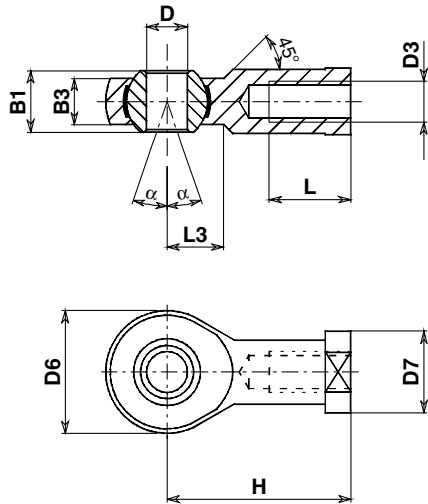


Bore size	Rod foot, Head foot (Flange)													Rod trunnion, Head trunnion				Clevis														
	AB	AO	AU	LS	LT	NH	TF	TR	UR	US	W	XL	XS	XT	NB	TDe8	TZ	XB	XC	AB	CE	CG	CH	CO	CR	CT	CU	CW	CZ	LT	XB	XC
32	7	7	14	96	4	28	28	52	49	66	34	120	48	24	34.5	10 ^{-0.025/-0.047}	47.9	47	97	7	9	41	35	4	24	20	46.8	13	57.9	4	47	97
40	9	10	20	129	5	33	30	60	58	80	40	154	60	25	42.5	12 ^{-0.032/-0.059}	59.3	57	122	9	12	52	40	3	30	28	58.2	17	72.3	5	57	122

(mm)

Series 55-C76 Accessories

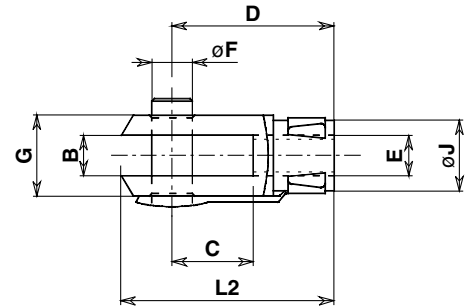
Single knuckle joint (DIN648 compliant)



(mm)

Bore size	Model	Thread	D3	D _{H7}	H	D6	B3	B1	L	D7	α°	L3
32	KJ10DA	M10 x 1.5	10	43	20	10.5	14	20	19	13	14	
40	KJ12DA	M12 x 1.75	12	50	30	12	16	22	22	13	16	

Double knuckle joint (DIN7151 compliant)

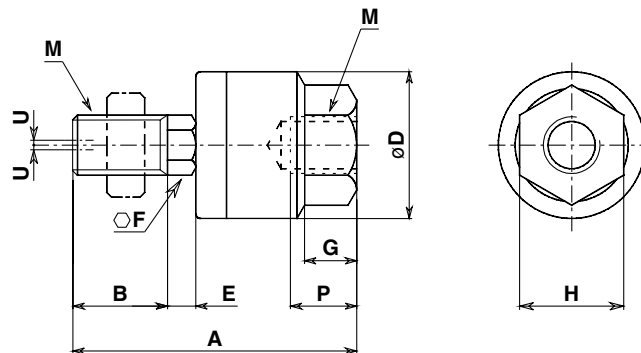


(mm)

Bore size	Model	Thread	E	B	D	F	G	C	J	L2
32	GKM10-20A	M10 x 1.5	10	40	10	18	20	12	20	
40	GKM12-24A	M12 x 1.75	12	48	12	23	24	15	24	

Floating joint/Series JA

JA25/40



(mm)

Bore size	Model	M		A	B	D	E	F	G	H	Maximum screwed depth P	Allowable eccentricity U	Max. operating tension and compression power (kN)
		Nominal thread dia.	Pitch										
32	JA25-10-150	10	1.5	49.5	19.5	24	5	8	8	17	9	0.5	2.5
40	JA40-12-175	12	1.75	60	20	31	6	11	11	22	13	0.75	4.4