

2-Color Display Digital Flow Switch

PFM Series

The PFM series now features a new model: the PF2M series. Click [here](#) for details.



- Flow rate range: 10, 25, 50, 100 L/min.
- Minimum unit setting: 0.01 L/min.
(0.1 L/min when the flow rate range is 25, 50, 100 L/min.)
- Repeatability: $\pm 1\%$ F.S.
- Grease-free
- Flow adjustment valve is integrated.
(Reduced piping and space saving)
- Response time:
Either 50 ms, 0.5 s, 1 s
or 2 s can be chosen.

Fluid
Dry air, N₂, Ar, CO₂

2-color display

See abnormal values at a glance.



PFM

PFMB

PFMC

PFMV

PF2A

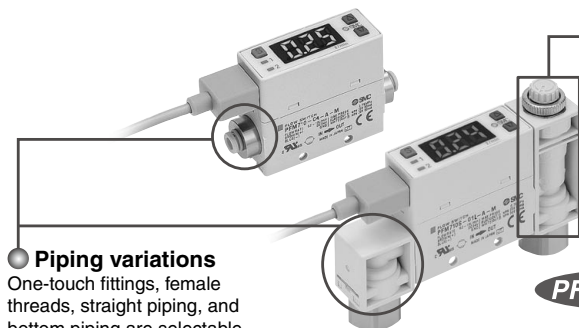
PF3W

LFE

PF2D

IF

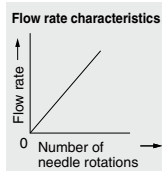
2-Color Display Digital Flow Switch



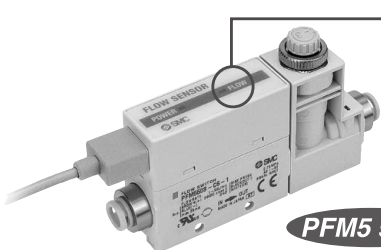
Piping variations
One-touch fittings, female threads, straight piping, and bottom piping are selectable.

Integrated flow adjustment valve

Reduces piping installation work and space requirements. Special design provides smooth adjustment to match needle rotations.



PFM7 Series



Indicator function

Flashing speed varies according to flow rate. Color changes from green to red when rated flow rate is exceeded. Can be used as a simple monitor.



Flashing

Flashing speed	Flow rate
Fast	High
Slow	Low

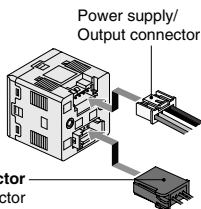
PFM5 Series

Connectors

Connection and removal of wiring is easy.



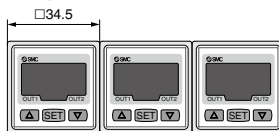
PFM3 Series



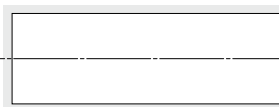
Support for vertical and horizontal secure mounting (panel mount)

A single panel opening is sufficient.

Reduces panel fitting labor and enables space-savings.



Panel opening



Measurement flow range (L/min)	Model	Integrated type	Remote type
		Model	
		Sensor unit	Monitor unit
0.2 to 10 (0.2 to 5)	PFM710	PFM510	PFM3□□
0.5 to 25 (0.5 to 12.5)	PFM725	PFM525	
1 to 50 (1 to 25)	PFM750	PFM550	
2 to 100 (2 to 50)	PFM711	PFM511	

() : Fluid: CO₂

Compact

Same size even when the model with different flow rate range (10, 25, 50, 100 L/min) is chosen.

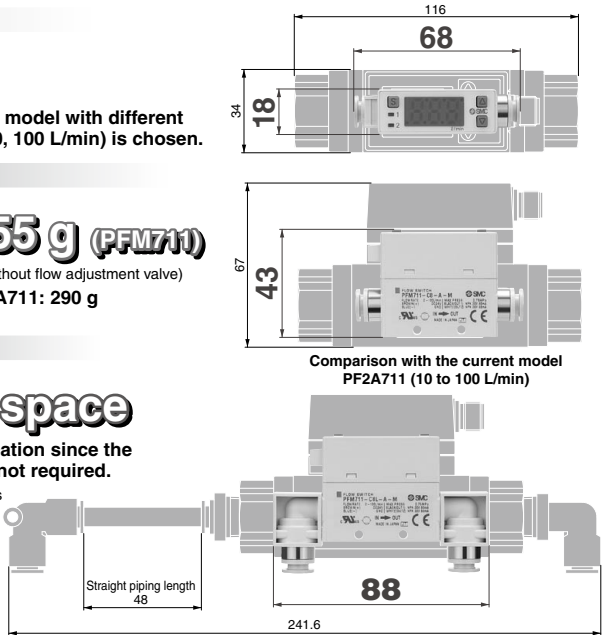
Lightweight: 55 g (PFM711)

(With One-touch fitting, without flow adjustment valve)
Current model PF2A711: 290 g

Reduced piping space

Mountable in a narrow location since the straight piping length* is not required.

* A straight piping length of 8 times the piping diameter is required for the current model.



Comparison with the current model PF2A711 (10 to 100 L/min)

Comparison with the current model PF2A711 (10 to 100 L/min) when $\phi 6$ One-touch fittings are attached.

Piping Variations

		One-touch fitting: $\phi 4$, $\phi 6$, $\phi 8$, $\phi 1/4$		Female thread: Rc 1/8, 1/4 • NPT 1/8, 1/4 • G 1/8, 1/4	
		Straight	Bottom	Straight	Bottom
Without flow adjustment	Without flow adjustment				
	With flow adjustment				

PFM

PFMB

PFMC

PFMV

PF2A

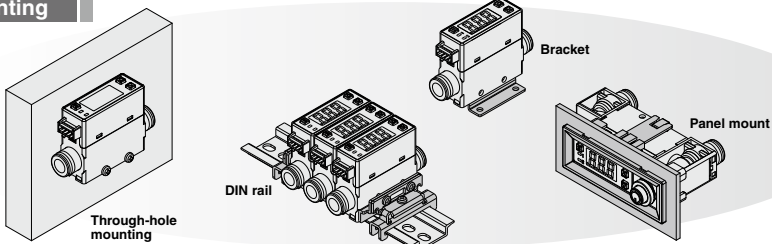
PF3W

LFE

PF2D

IF

Mounting



Main Functions

● Selection of fluid

Dry air, Nitrogen (N₂), Argon (Ar) or Carbon dioxide (CO₂) can be selected using the buttons.

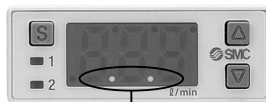
● Secret code setting function

The user must input a secret code to cancel the keylock mode. This ensures that only authorized persons can operate the switch.

For details and other functions, refer to page 248.

● Power-saving mode

Turning off the display can save power consumption.



Flashing



Flashing

The decimal point indicators flash in power-saving mode.

■ Selection of indication unit

User can select between ANR and NL/min for each fluid.

[ANR] Indicates the flow rate converted to a volume under standard conditions: 20°C, 1 atm (atmosphere), 65%RH

[NL/min] Indicates the flow rate converted to a volume under normal conditions: 0°C, 1 atm (atmosphere).

■ External input

Can be selected from accumulated value external reset, auto-shift and auto-shift zero.

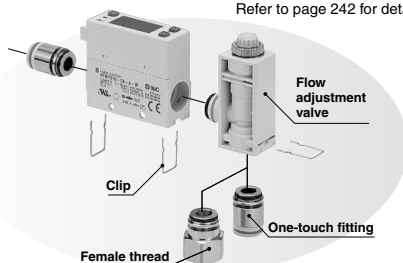
■ Indication resolution

Minimum unit setting can be selected from 1 L/min, 0.1 L/min and 0.01 L/min. Depends on the model. Refer to the specifications (P. 216, 244) for details.

Several Combinations

Depending on the installation conditions, it is possible to add or remove the **flow adjustment valve**, change the **fitting type** and the **piping direction** as desired.

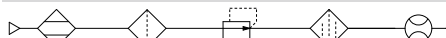
Refer to page 242 for details.



The accuracy may fluctuate by 2 to 3% just after replacement.
(Repeatability does not change.)

Recommended Air Circuits

Compressed air line



Dryer

Air filter

Regulator

Micro mist separator

Flow switch

IDF
IDU

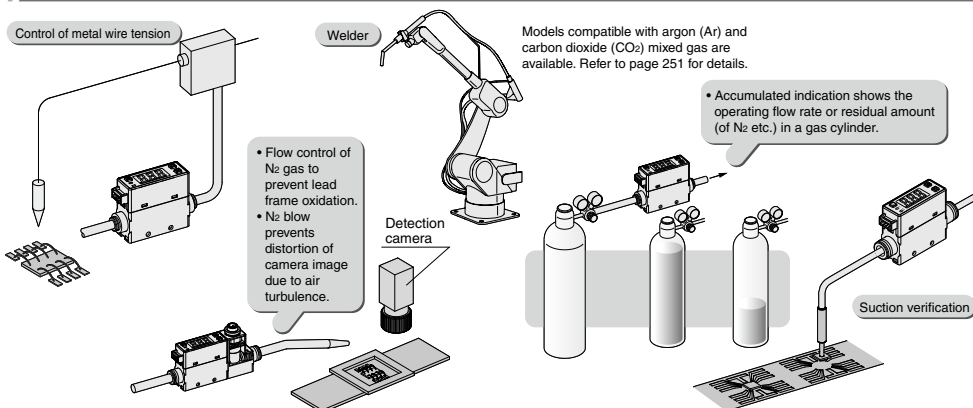
AF

AR
IR

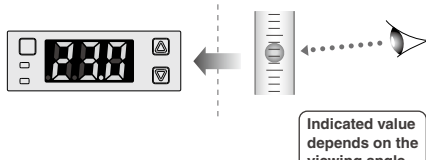
AMD
AFD

PFM

Applications

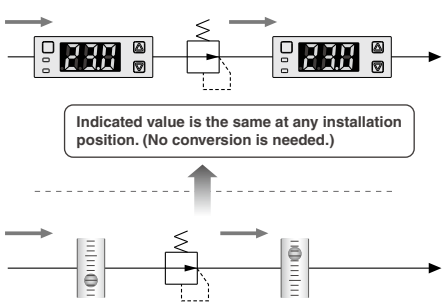


● Digital display



Indicated value depends on the viewing angle.

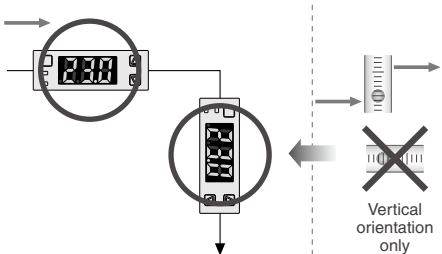
● Not subject to pressure variations



Indicated value is the same at any installation position. (No conversion is needed.)

Indicated value depends on installation position. (Conversion is required.)

● Free mounting orientation



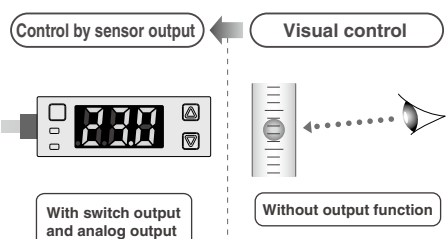
Mounting orientation is not limited.

Vertical orientation only

● With switch output and analog output

Control by sensor output

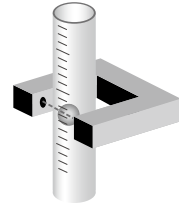
Visual control



With switch output and analog output

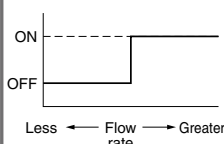
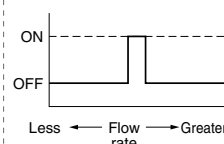
Without output function

A photoelectric switch, or similar, must be prepared separately.

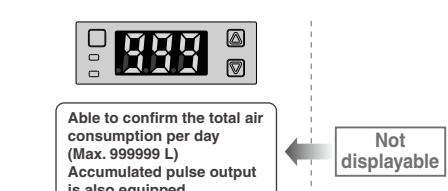


Can detect whether greater or less than set flow rate. The flow condition can be controlled all the time.

Can only detect when float passes. Cannot detect whether greater or less than set flow rate.

● Accumulated flow display



Able to confirm the total air consumption per day (Max. 999999 L). Accumulated pulse output is also equipped.

Not displayable

PFM

PFMB

PFMC

PFMV

PF2A

PF3W

LFE

PF2D

IF

● 2-Color Display Digital Flow Switch

PFM7 Series Integrated Display



PFM5 Series Remote Sensor Unit



PFM7, PFM5 Series Common Specifications

PFM3 Series Flow Sensor Monitor



Made to Order

Features	P. 208 to 211
How to Order	P. 214
Specifications	P. 216
Piping Specifications/Weight	P. 217
Analog Output	P. 217
Internal Circuits and Wiring Examples	P. 218
Dimensions	P. 219
How to Order	P. 228
Specifications	P. 230
Piping Specifications/Weight	P. 231
Analog Output	P. 231
Internal Circuits and Wiring Examples	P. 231
Dimensions	P. 232
Pressure Loss/Flow Rate Characteristics	P. 240
Parts Description	P. 241
Wetted parts construction	P. 241
Detection Principle	P. 241
Component Parts	P. 242
How to Order	P. 243
Specifications	P. 244
Analog Output	P. 244
Internal Circuits and Wiring Examples	P. 245
Dimensions	P. 246
Function Details	P. 248
Changing the piping entry direction	P. 249
combination for IN and OUT side	
Compatible with argon (Ar) and carbon	P. 251
dioxide (CO ₂) mixed gas	

PFM

PFMB

PFMC

PFMV

PF2A

PF3W

LFE

PF2D

IF

2-Color Display Digital Flow Switch PFM7 Series

Integrated display



The PFM series now features a new model: the PF2M series. Click [here](#) for details.

How to Order

Integrated display

PFM7 10 - C4 - A - M

Type

7 Integrated display

Rated flow range (Flow rate range)

10	0.2 to 10 (5) L/min
25	0.5 to 25 (12.5) L/min
50	1 to 50 (25) L/min
11	2 to 100 (50) L/min

* () : Fluid: CO₂

Flow adjustment valve

NII	None
S	Yes

Port size

Symbol	Description	Flow rate range			
		10	25	50	11
01	Rc 1/8	●	●	●	●
02	Rc 1/4	●	●	●	●
N01	NPT 1/8	●	●	●	●
N02	NPT 1/4	●	●	●	●
F01	G 1/8 *	●	●	●	●
F02	G 1/4 *	●	●	●	●
C4	ø4 (5/32") One-touch fitting	●	●	●	●
C6	ø6 One-touch fitting	●	●	●	●
C8	ø8 (5/16") One-touch fitting	●	●	●	●
N7	ø1/4" One-touch fitting	●	●	●	●

* Conforming to ISO228-1.

Piping entry direction

NII	Straight
L	Bottom

* Different combinations of piping entry directions for IN and OUT side are available as made-to-order. (Refer to page 249.)

Made to Order
(Refer to pages 215 and 249.)

Option 2
(Refer to page 215.)

Option 1
(Refer to page 215.)

Calibration certificate

NII	None
A	With calibration certificate

* The certificate is written in English and Japanese. Other languages are available as specials.

Operation manual

NII	With operation manual (Japanese and English)
N	None

Unit specifications

M	Fixed SI unit ^{Note1)}
NII	With unit switching function ^{Note2)}

Note1) Fixed unit: Instantaneous flow rate: L/min
Accumulated flow: L

Note2) Since the unit for Japan is fixed to SI due to new measurement law, this option is for overseas.

Output specifications

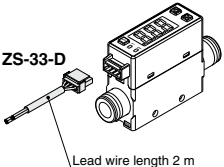
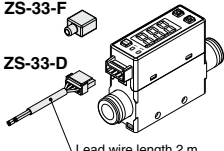
A	2 NPN outputs
B	2 PNP outputs
C	1 NPN output + Analog (1 to 5 V)
D	1 NPN output + Analog (4 to 20 mA)
E	1 PNP output + Analog (1 to 5 V)
F	1 PNP output + Analog (4 to 20 mA)
G	1 NPN output + External input ^{Note 3)}
H	1 PNP output + External input ^{Note 3)}

Note 3) User can select from accumulated value external reset, auto-shift and auto-shift zero.

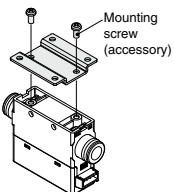
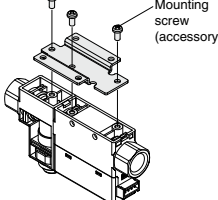
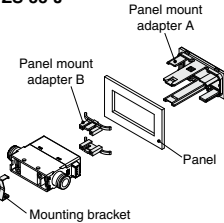
Piping Variations

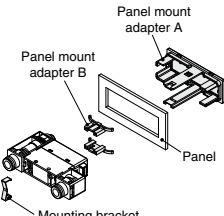
	With One-touch fittings (C4, C6, C8, N7)		Female thread (01, 02, N01, N02, F01, F02)	
	Straight (NII)	Bottom (L)	Straight (NII)	Bottom (L)
Without flow adjustment valve (NII)				
With flow adjustment valve (S)				

Option 1

NII	W	Z
<p>With lead wire with connector (2 m)</p>  <p>ZS-33-D</p> <p>Lead wire length 2 m</p>	<p>With lead wire with connector (2 m) + Rubber cover for connector (silicon rubber)</p>  <p>ZS-33-F ZS-33-D</p> <p>Lead wire length 2 m</p>	<p>Without lead wire with connector</p>

Option 2

NII	R	S	T
<p>None</p>	<p>Bracket (For without flow adjustment valve)</p> <p>ZS-33-M</p>  <p>Mounting screw (accessory)</p>	<p>Bracket (For with flow adjustment valve)</p> <p>ZS-33-MS</p>  <p>Mounting screw (accessory)</p> <p>Piping direction: Cannot be mounted with bottom piping type.</p>	<p>Panel mount adapter (For without flow adjustment valve)</p> <p>ZS-33-J</p>  <p>Panel mount adapter A Panel mount adapter B Panel Mounting bracket</p>

V
<p>Panel mount adapter (For with flow adjustment valve)</p> <p>ZS-33-JS</p>  <p>Panel mount adapter A Panel mount adapter B Panel Mounting bracket</p>

Each option is not assembled with the product, but shipped together.

Made to Order

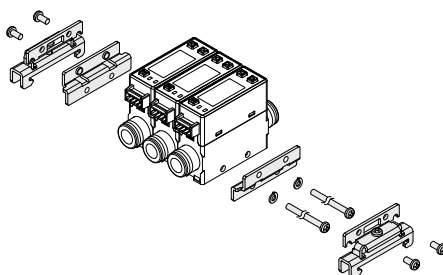
Symbol	Specification/Description
X693	Change of piping entry direction combination
X694	Change of piping entry direction combination
X731	Compatible with argon (Ar) and carbon dioxide (CO ₂) mixed gas

For details, refer to page 249 through to 251.

DIN Rail Mounting Bracket (Order Separately)

ZS-33-R

Stations	
1	1 station
2	2 stations
3	3 stations
4	4 stations
5	5 stations



- DIN rail (supplied by customers)
- Port size F02: G 1/4 cannot be mounted on the DIN rail.

PFM7 Series

Specifications

Refer to pages 202 and 203 for Flow Switch Precautions. For details about the Specific Product Precautions, refer to the Operation Manual on the SMC website, <http://www.smworld.com> Click [here](#) for details.

Model	PFM710	PFM725	PFM750	PFM711	
Applicable fluid	Dry air, N ₂ , Ar, CO ₂ (Air quality grade is JIS B8392.1-1, 1.2 to 1.6.2 and ISO 8573.1-1, 1.2 to 1.6.2.)				
Rated flow range (Flow rate range)	Dry air, N ₂ , Ar	0.2 to 10 L/min	0.5 to 25 L/min	1 to 50 L/min	2 to 100 L/min
	CO ₂	0.2 to 5 L/min	0.5 to 12.5 L/min	1 to 25 L/min	2 to 50 L/min
Displayable range (Note 1)	Dry air, N ₂ , Ar	0.2 to 10.5 L/min	0.5 to 26.3 L/min	1 to 52.5 L/min	2 to 105 L/min
	CO ₂	0.2 to 5.2 L/min	0.5 to 13.1 L/min	1 to 26.2 L/min	2 to 52 L/min
Settable range (Note 1)	Dry air, N ₂ , Ar	0 to 10.5 L/min	0 to 26.3 L/min	0 to 52.5 L/min	0 to 105 L/min
	CO ₂	0 to 5.2 L/min	0 to 13.1 L/min	0 to 26.2 L/min	0 to 52 L/min
Minimum unit setting (Note 2)	0.01 L/min	0.1 L/min	0.1 L/min	0.1 L/min	
Accumulated pulse flow rate exchange value	0.1 L/pulse	0.1 L/pulse	0.1 L/pulse	1 L/pulse	
Indication unit (Note 3)	Instantaneous flow rate L/min, CFM x 10 ⁻² Accumulated flow L, ft ³ x 10 ⁻¹				
Linearity	Display accuracy: ±3%F.S. (Fluid: Dry air) Analog output accuracy: ±5%F.S. (Fluid: Dry air)				
Repeatability	±1%F.S. Analog output accuracy: ±3%F.S. (Fluid: Dry air)				
Pressure characteristics	±5%F.S. (0.35 MPa reference)				
Temperature characteristics	±2%F.S. (15 to 35°C) ±5%F.S. (0 to 50°C)				
Operating pressure range	-100 kPa to 750 kPa				
Rated pressure range	-70 kPa to 750 kPa				
Proof pressure	1 MPa				
Accumulated flow range	Max. 999999 L (Note 4)				
Switch output	NPN or PNP open collector output				
Maximum load current	80 mA				
Maximum applied voltage	28 VDC (at NPN output)				
Internal voltage drop	NPN output: 1 V or less (at 80 mA) PNP output: 1.5 V or less (at 80 mA)				
Response time	1 s (50 ms, 0.5 s, 2 s can be selected.)				
Output protection	Short-circuit protection				
Accumulated pulse output	NPN or PNP open collector output (Same as switch output)				
Analog output (Note 5)	Response time	1.5 s or less (90% response)			
	Voltage output	Voltage output: 1 to 5 V Output impedance: 1 kΩ			
	Current output	Current output: 4 to 20 mA Max. load impedance: 600 Ω, Min. load impedance: 50 Ω			
Hysteresis (Note 6)	Hysteresis mode	Variable			
	Window comparator mode	Variable			
External input	No-voltage input (Reed or Solid state) Input 30 ms or more				
Display method	3-digit, 7-segment LED	2-color display (Red/Green)	Renewed cycle: 10 times/sec		
Status LED's	OUT1: Lights up when output is turned ON (Green). OUT2: Lights up when output is turned ON (Red).				
Power supply voltage	24 VDC ±10%				
Current consumption	55 mA or less				
Environment	Enclosure	IP40			
	Operating fluid temperature	0 to 50°C (with no freezing and condensation)			
	Operating temperature range	Operating: 0 to 50°C Stored: -10 to 60°C (with no freezing and condensation)			
	Operating humidity range	Operating, Stored: 35 to 85%R.H. (with no condensation)			
	Withstand voltage	1000 VAC for 1 minute between terminals and housing			
Insulation resistance	50 MΩ or more (500 VDC measured via megohmmeter) between terminals and housing				
Standards	CE UL,CSA RoHS				

Note 1) When the minimum unit setting 0.01 L/min is selected for 10 L/min type, the indication upper limit will be [9.99 L/min].

When the minimum unit setting 0.1 L/min is selected for 100 L/min type, the indication upper limit will be [99.9 L/min].

Note 2) User can select between 0.01 L/min and 0.1 L/min for the PFM710, and between 0.1 L/min and 1 L/min for the PFM711 respectively.

If the indication unit is selected to "CFM", the minimum unit setting cannot be changed.

At the time of shipment from the factory, the minimum unit setting is set to 0.1 L/min for the PFM710 and 1 L/min for the PFM711 respectively.

Note 3) Set to "ANR" at the time of shipment from the factory.
"ANR" is used for standard conditions: 20°C, 1 atm and 65%R.H.
"NL/min" is used for normal conditions: 0°C and 1 atm.

When equipped with a unit switching function, (The SI unit (L/min or L) is fixed for types with no unit switching function.)

Note 4) Cleared when the power supply is turned off. Hold function can be selected. (Interval of 2 min or 5 min can be selected.)

If the 5 min interval is selected, the life of the memory element (electronic part) is limited to 1 million cycles. (If energized for 24 hours, life is calculated as 5 min x 1 million = 5 million min = 9.5 years). Therefore, if using the hold function, calculate the memory life for your operating conditions, and use within this life.

Note 5) Set to 1.5 s (90%), can be changed to 100 ms.

Note 6) Set to hysteresis mode at the time of shipment from the factory. Can be changed to window comparator mode using push-buttons.

Note 7) For details about wiring and thread type, refer to the Operation Manual that can be downloaded from SMC website (<http://www.smworld.com>).

Note 8) Any products with tiny scratches, smears, or display color variation or brightness which does not affect the performance are verified as conforming products.

Settable Range and Rated Flow Range

Set the flow rate within the rated flow range.

The settable rate range is the range of flow rate that can be set in the switch.

The rated flow range is the range that satisfies the switch specifications (accuracy, linearity etc.).

It is possible to set a value outside of the rated flow range if it is within the settable range, however, the specification is not be guaranteed.

The flow range if using CO₂ is given in brackets.

Sensor	Flow range							
	0.2 L/min	0.5 L/min	1 L/min	2 L/min	10 L/min	25 L/min	50 L/min	100 L/min
PFM710 PFM510	0.2 L/min			10 L/min (5 L/min)				
	0.2 L/min			10.5 L/min (5.2 L/min)				
	0			10.5 L/min (5.2 L/min)				
PFM725 PFM525	0.5 L/min			25 L/min (12.5 L/min)				
	0.5 L/min			26.3 L/min (13.1 L/min)				
	0			26.3 L/min (13.1 L/min)				
PFM750 PFM550	1 L/min			50 L/min (25 L/min)				
	1 L/min			52.5 L/min (26.2 L/min)				
	0			52.5 L/min (26.2 L/min)				
PFM711 PFM511	2 L/min			100 L/min (50 L/min)				
	2 L/min			105 L/min (52 L/min)				
	0			105 L/min (52 L/min)				

Rated flow range
 Displayable range
 Settable range

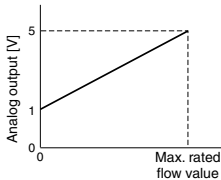
In the case of the PFM5 series, the displayable and settable ranges are the same as the PFM3 series flow monitor.

Piping Specifications/Weight

Part no.	01	02	N01	N02	F01	F02	C4	C6	C8	N7
Port size	Rc 1/8	Rc 1/4	NPT 1/8	NPT 1/4	G 1/8	G 1/4	ø4 (5/32") One-touch fitting	ø6 One-touch fitting	ø8 (5/16") One-touch fitting	ø1/4" One-touch fitting
Weight	Straight Without orifice: 95 g Bottom Without orifice: 105 g		Straight With orifice: 135 g Bottom With orifice: 145 g		Straight Without orifice: 125 g Bottom Without orifice: 135 g Straight With orifice: 165 g Bottom With orifice: 175 g		Straight Without orifice: 55 g Bottom Without orifice: 65 g Straight With orifice: 95 g Bottom With orifice: 105 g			
Wetted parts material	LCP, PBT, Brass (Electroless nickel plating), HNBR (+ Fluoro coated), FKM (+ Fluoro coated), Silicon, Au, Stainless steel 304									

Analog Output

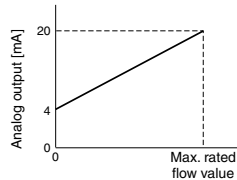
Note) Analog output at maximum rated flow rate when CO₂ is selected is 3 [V] for the voltage output type and 12 [mA] for the current output type.



Analog Voltage Output (1 to 5 V)

Model	Max. rated flow value [L/min]
PFM710 -□-C/E	10 (5)
PFM725 -□-C/E	25 (12.5)
PFM750 -□-C/E	50 (25)
PFM711 -□-C/E	100 (50)

* (): Fluid: CO₂



Analog Current Output (4 to 20 mA)

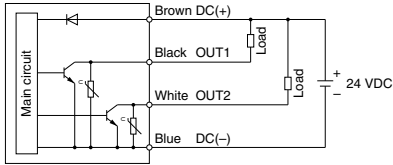
Model	Max. rated flow value [L/min]
PFM710 -□-D/F	10 (5)
PFM725 -□-D/F	25 (12.5)
PFM750 -□-D/F	50 (25)
PFM711 -□-D/F	100 (50)

* (): Fluid: CO₂

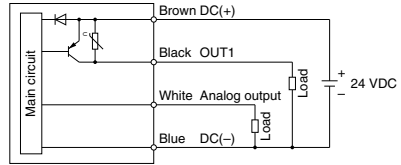
PFM7 Series

Internal Circuits and Wiring Examples

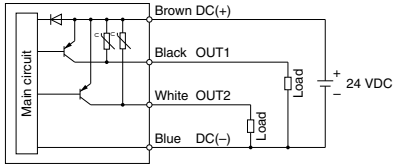
-A
NPN (2 outputs)



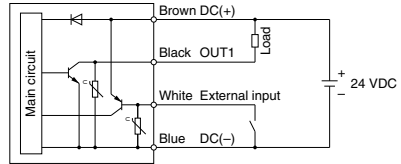
-E/F
E: PNP (1 output) + Analog voltage output
F: PNP (1 output) + Analog current output



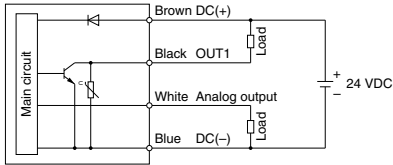
-B
PNP (2 outputs)



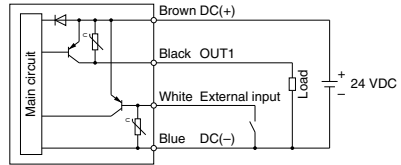
-G
NPN (1 output) + External input



-C/D
C: NPN (1 output) + Analog voltage output
D: NPN (1 output) + Analog current output

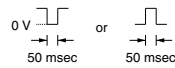
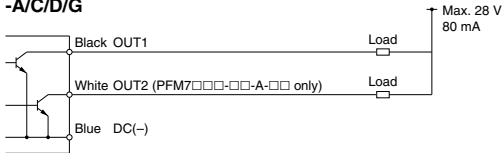


-H
PNP (1 output) + External input

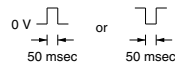
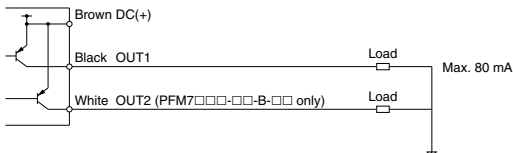


Accumulated pulse output wiring examples

-A/C/D/G



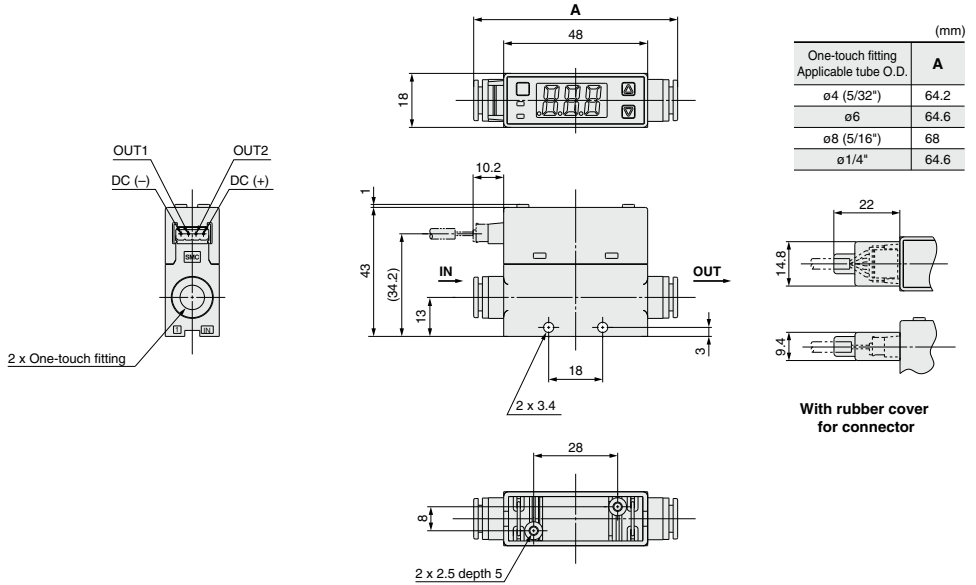
-B/E/F/H



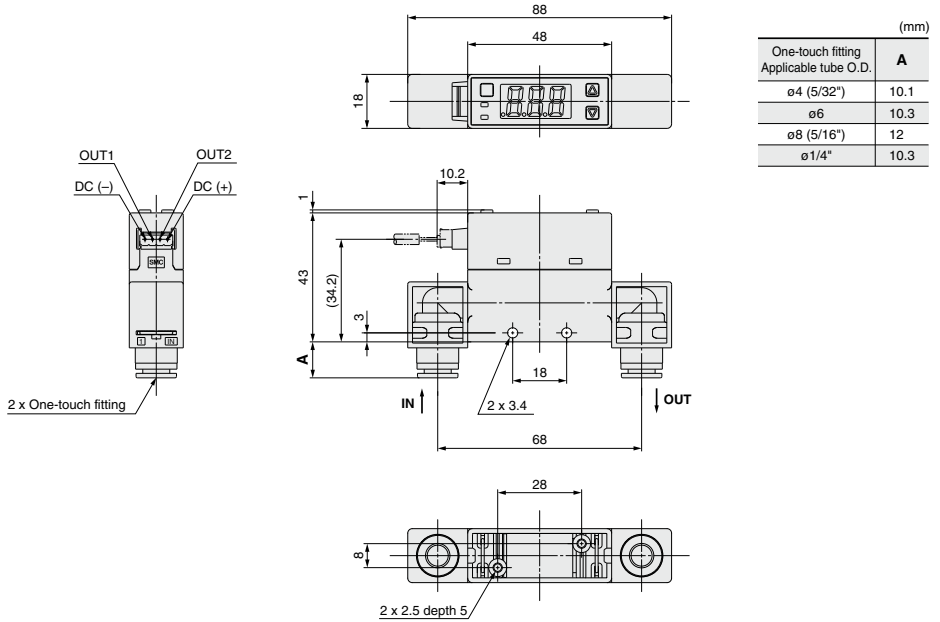
2-Color Display Digital Flow Switch *PFM7 Series*

Dimensions

PFM7□□-C4/C6/C8/N7



PFM7□□-C4L/C6L/C8L/N7L



PFM

PFMB

PFMC

PFMV

PF2A

PF3W

LFE

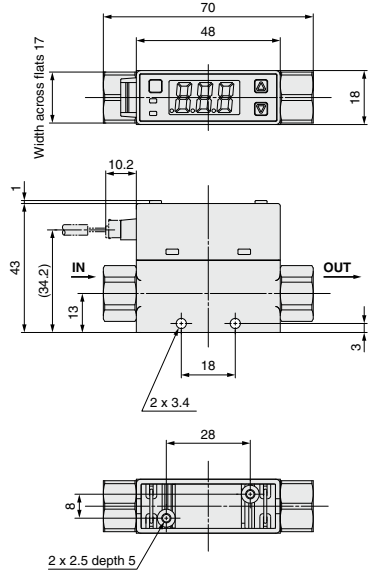
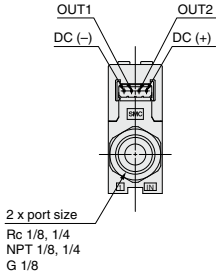
PF2D

IF

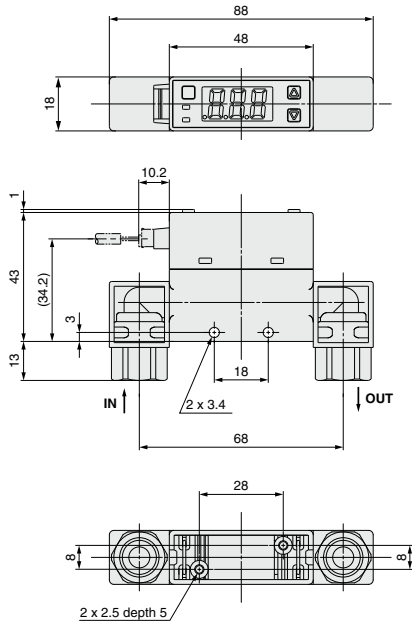
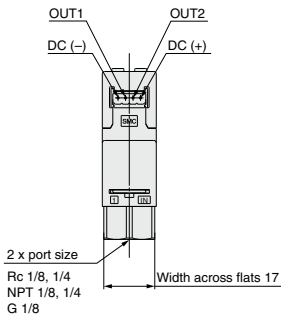
PFM7 Series

Dimensions

PFM7□□-(N)01/(N)02/F01

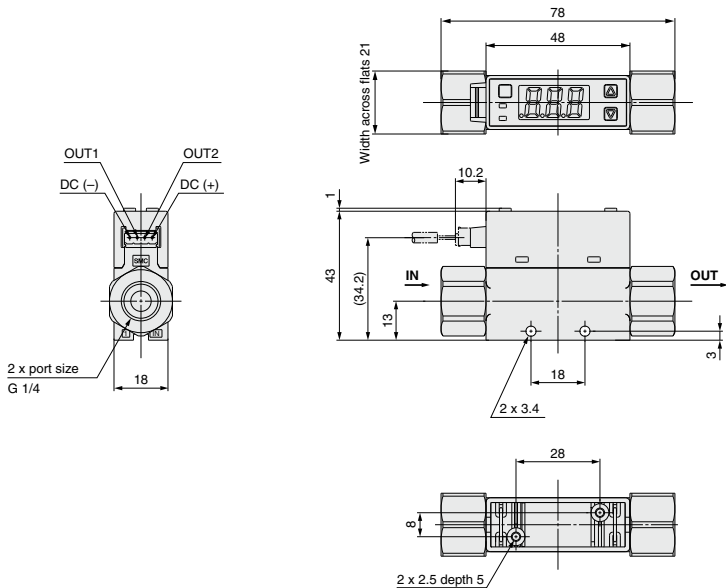


PFM7□□-(N)01L/(N)02L/F01L

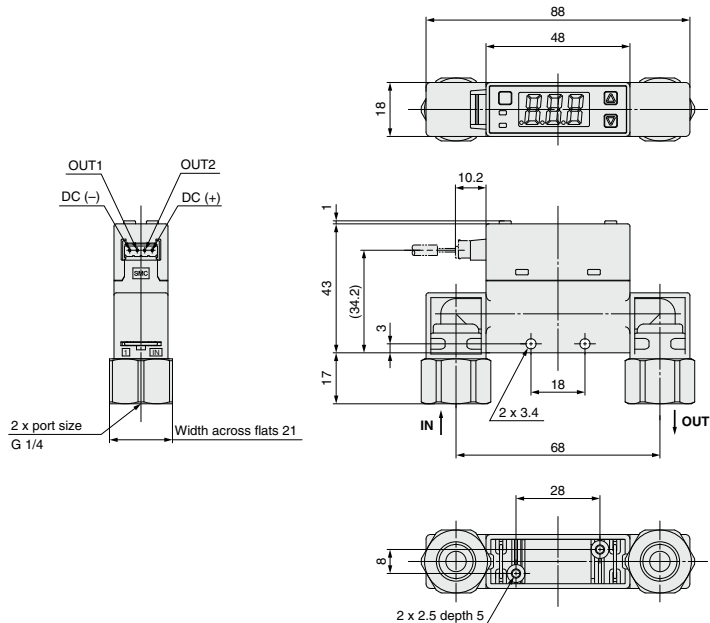


Dimensions

PFM7□□-F02



PFM7□□-F02L



PFM

PFMB

PFMC

PFMV

PF2A

PF3W

LFE

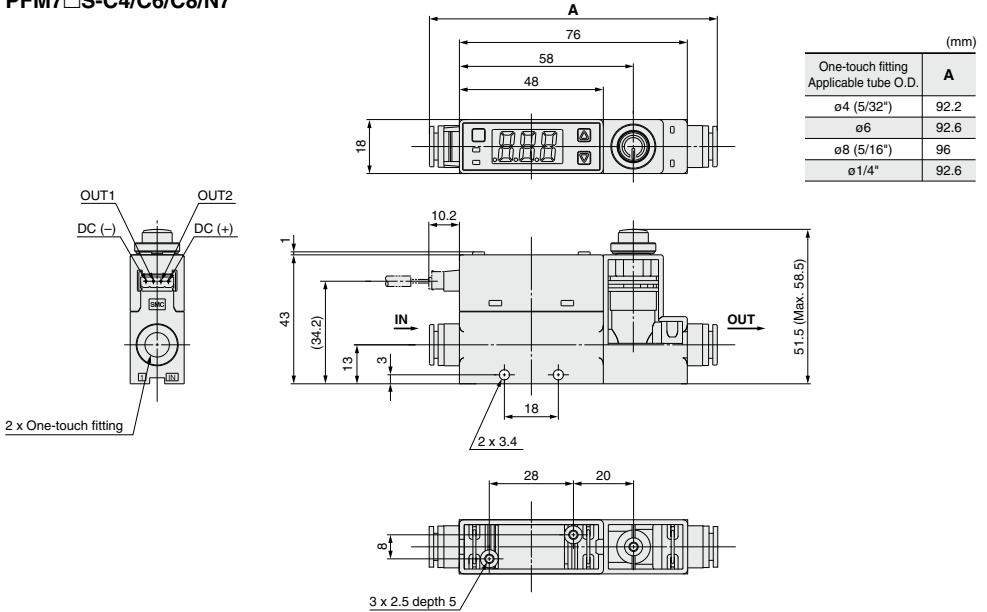
PF2D

IF

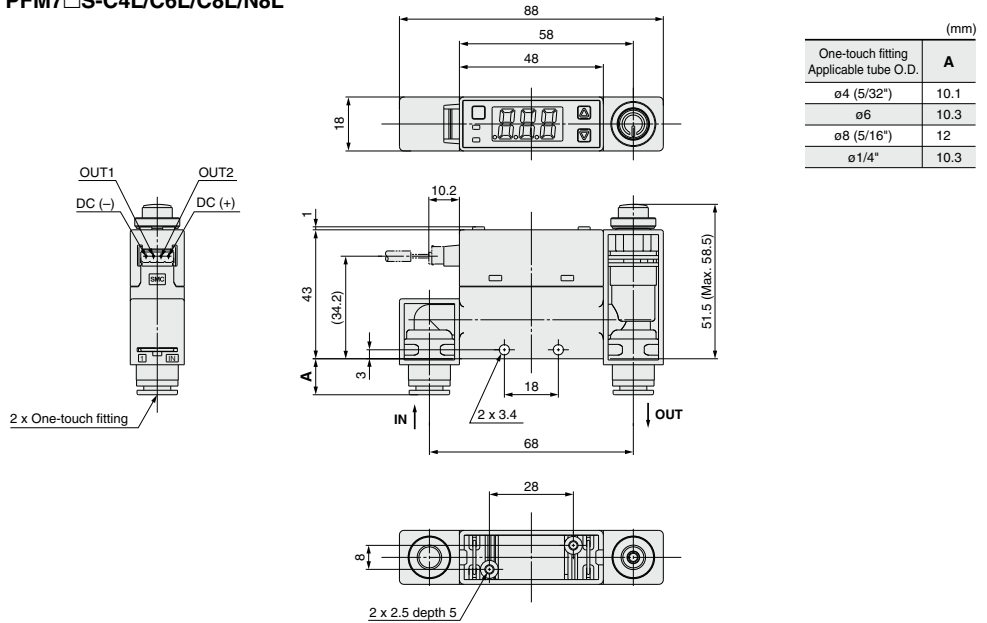
PFM7 Series

Dimensions

PFM7□S-C4/C6/C8/N7



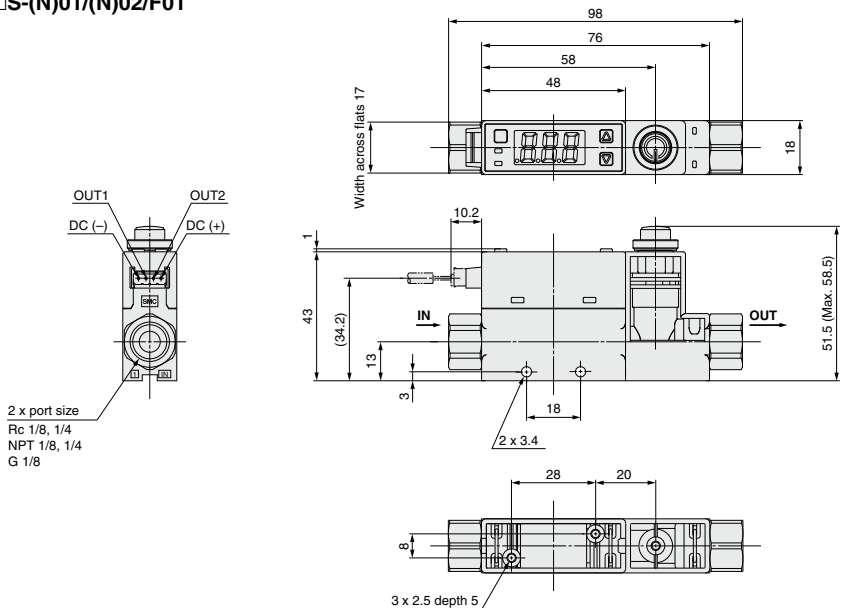
PFM7□S-C4L/C6L/C8L/N8L



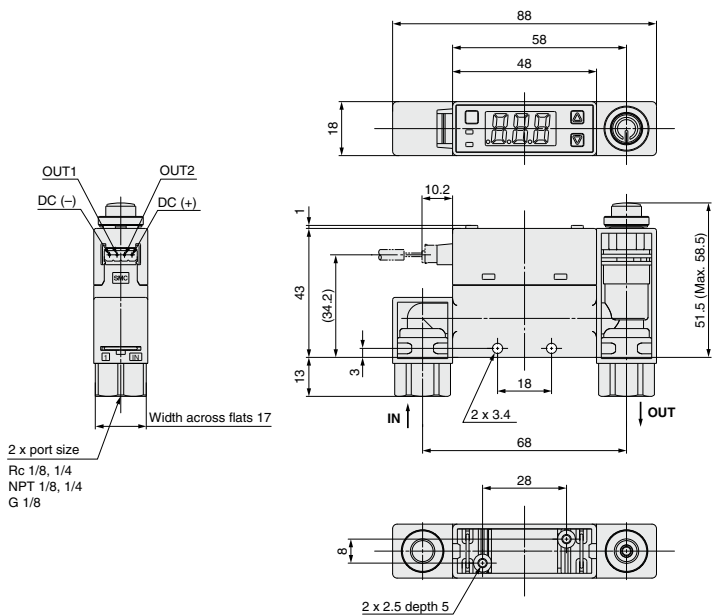
2-Color Display Digital Flow Switch *PFM7 Series*

Dimensions

PFM7□S-(N)01/(N)02/F01



PFM7□S-(N)01L/(N)02L/F01L



PFM

PFMB

PFMC

PFMV

PF2A

PF3W

LFE

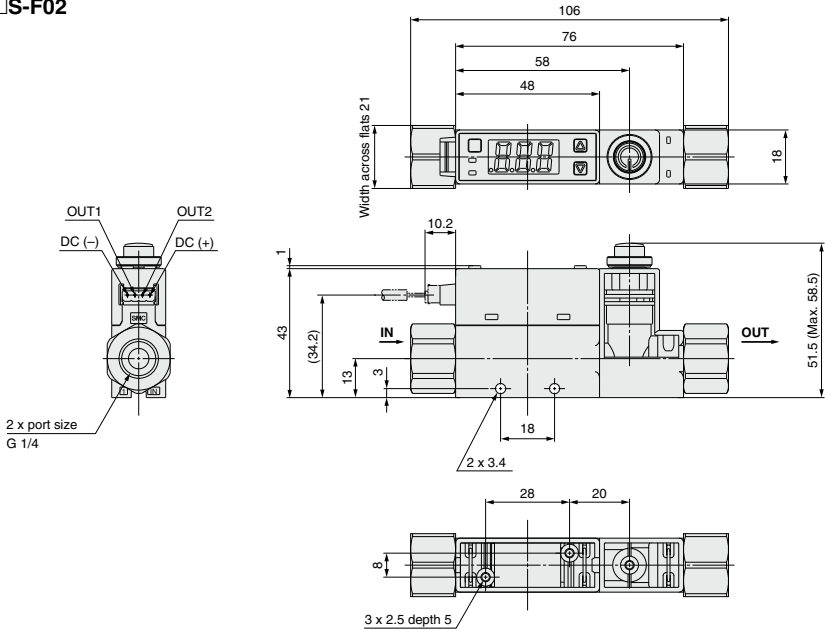
PF2D

IF

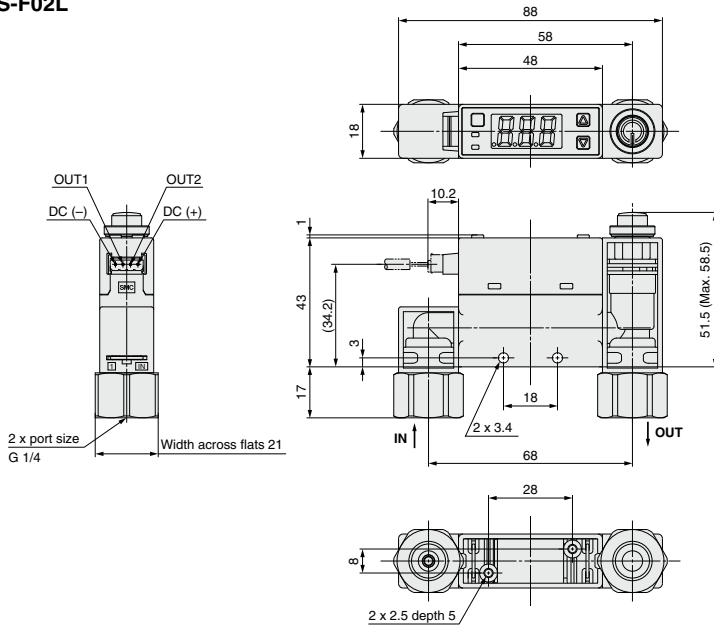
PFM7 Series

Dimensions

PFM7□S-F02

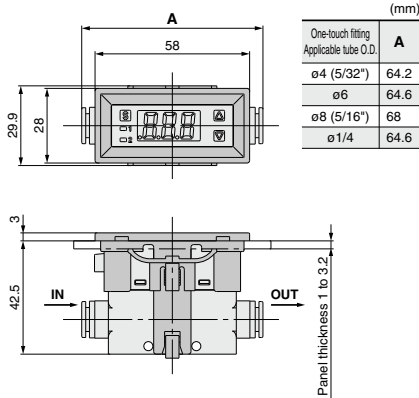


PFM7□S-F02L

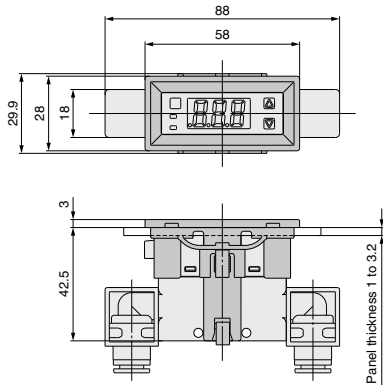


Dimensions

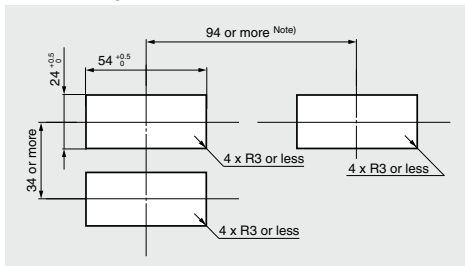
Panel mount adapter/ Without flow adjustment valve/Straight



Panel mount adapter/ Without flow adjustment valve



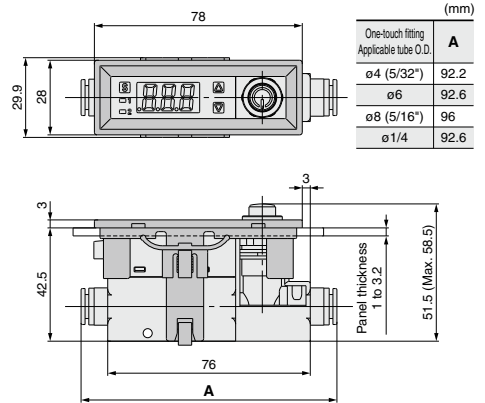
Panel Fitting Dimensions



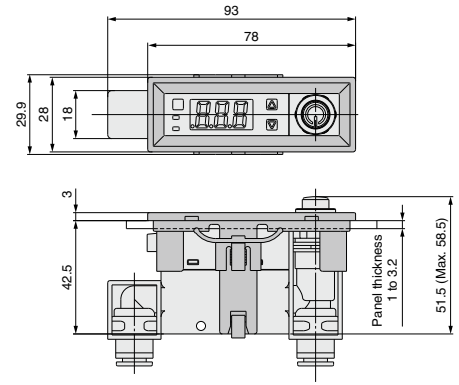
Panel thickness 1 to 3.2 mm

Note) Piping entry direction: Minimum dimensions for bottom side piping. If using straight piping, the piping material and tubing need to be taken into consideration when designing the system. If a bend (R) is used, limit it to R3 or less.

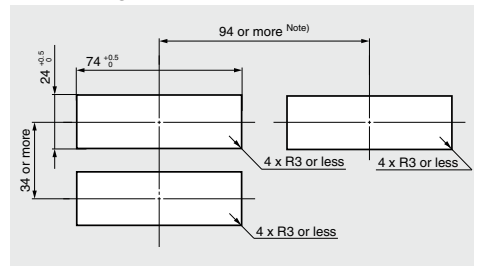
Panel mount adapter/ With flow adjustment valve/Straight



Panel mount adapter/ With flow adjustment valve



Panel Fitting Dimensions



Panel thickness 1 to 3.2 mm

Note) Piping entry direction: Minimum dimensions for bottom side piping. If using straight piping, the piping material and tubing need to be taken into consideration when designing the system. If a bend (R) is used, limit it to R3 or less.

PFM

PFMB

PFMC

PFMV

PF2A

PF3W

LFE

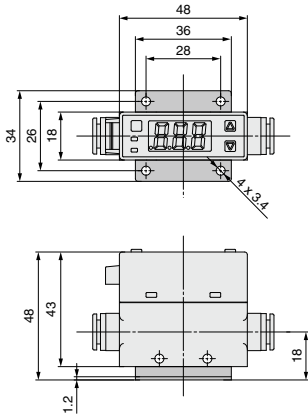
PF2D

IF

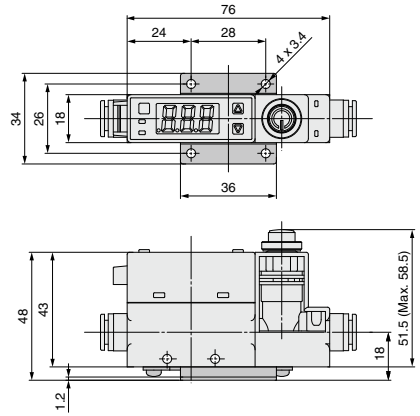
PFM7 Series

Dimensions

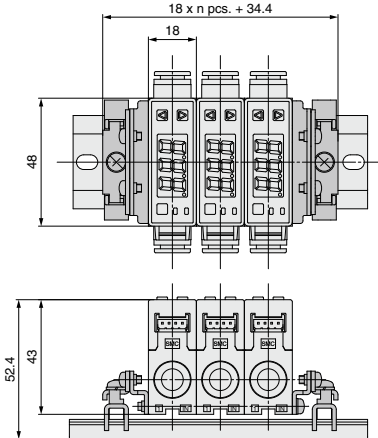
With bracket/Without flow adjustment valve



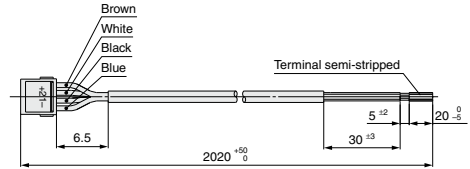
With bracket/With flow adjustment valve



DIN rail mounting



Lead wire with connector
ZS-33-D



Cable Specifications of Lead Wire
with Connector

Conductor	Nominal cross section area	AWG26
	External diameter	Approx. 0.50 mm
Insulation	External diameter	Approx. 1.00 mm
	Colors	Brown, White, Black, Blue
Sheath	Material	Oil-resistant PVC
	Finished external diameter	ø3.5

- DIN rail (supplied by customers)
- Port size, F02: G 1/4 cannot be mounted on the DIN rail.

PFM
PFMB
PFMC
PFMV
PF2A
PF3W
LFE
PF2D
IF

2-Color Display Digital Flow Switch

Remote
sensor unit



PFM5 Series



The PFM series now features a new model: the PF2M series. Click [here](#) for details.

How to Order

Remote sensor unit

PFM5 **10** **C4** **1**

Type

5 Remote sensor unit

Rated flow range (Flow rate range)

10	0.2 to 10 (5) L/min
25	0.5 to 25 (12.5) L/min
50	1 to 50 (25) L/min
11	2 to 100 (50) L/min

* () : Fluid: CO₂

Flow adjustment valve

Nil	None
S	Yes

Port size

Symbol	Description	Flow rate range			
		10	25	50	11
01	Rc1/8	●	●	●	●
02	Rc1/4				●
N01	NPT1/8	●	●	●	
N02	NPT1/4				●
F01	G1/8 *	●	●	●	
F02	G1/4 *				●
C4	ø4 (5/32") One-touch fitting	●			
C6	ø6 One-touch fitting		●	●	●
C8	ø8 (5/16") One-touch fitting			●	●
N7	ø1/4" One-touch fitting			●	●

* Conforming to ISO228-1.

Piping entry direction

Nil	Straight
L	Bottom

* Different combinations of piping entry directions for IN and OUT side are available as made-to-order. (Refer to page 249.)

• **Made to Order**
(Refer to pages 229 and 249.)

• **Option 2**
(Refer to page 229.)

• **Option 1**
(Refer to page 229.)

Calibration certificate

Nil	None
A	With calibration certificate

* The certificate is written in English and Japanese. Other languages are available as specials.

Operation manual

Nil	With operation manual (Japanese and English)
N	None

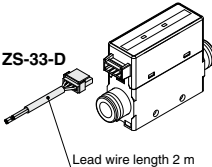
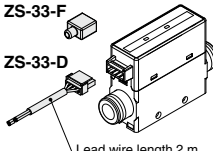
Output specification

No.	Description	Applicable display unit
1	Analog output (1 to 5 V)	PFM30□
2	Analog output (4 to 20 mA)	PFM31□

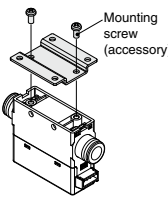
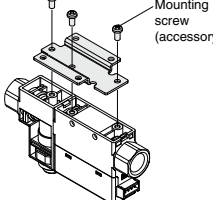
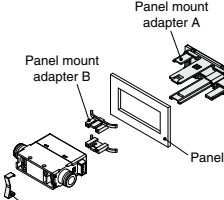
Piping Variations

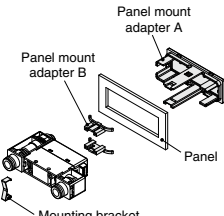
	With One-touch fittings (C4, C6, C8, N7)		Female thread (01, 02, N01, N02, F01, F02)	
	Straight (Nil)	Bottom (L)	Straight (Nil)	Bottom (L)
Without flow adjustment valve (Nil)				
With flow adjustment valve (S)				

Option 1

NII	W	Z
<p>With lead wire with connector (2 m)</p>  <p>ZS-33-D</p> <p>Lead wire length 2 m</p>	<p>With lead wire with connector (2 m) + Rubber cover for connector (silicon rubber)</p>  <p>ZS-33-F ZS-33-D</p> <p>Lead wire length 2 m</p>	<p>Without lead wire with connector</p>

Option 2

NII	R	S	T
<p>None</p>	<p>Bracket (For without flow adjustment valve)</p> <p>ZS-33-M</p>  <p>Mounting screw (accessory)</p>	<p>Bracket (For with flow adjustment valve)</p> <p>ZS-33-MS</p>  <p>Mounting screw (accessory)</p> <p>Piping direction: Cannot be mounted with bottom piping type.</p>	<p>Panel mount adapter (For without flow adjustment valve)</p> <p>ZS-33-J</p>  <p>Panel mount adapter A Panel mount adapter B Panel Mounting bracket</p>

V
<p>Panel mount adapter (For with flow adjustment valve)</p> <p>ZS-33-JS</p>  <p>Panel mount adapter A Panel mount adapter B Panel Mounting bracket</p>

Each option is not assembled with the product, but shipped together.

Made to Order

Symbol	Specification/Description
X693	Change of piping entry direction combination
X694	

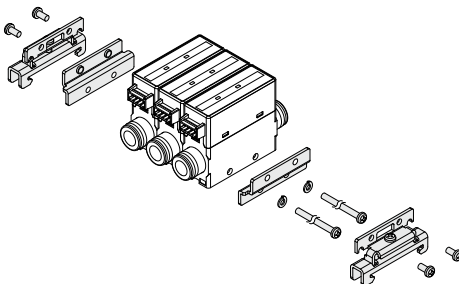
For details, refer to pages 249 and 250.

DIN Rail Mounting Bracket (Order Separately)

ZS-33-R 

Stations

1	1 station
2	2 stations
3	3 stations
4	4 stations
5	5 stations



- DIN rail (supplied by customers)
- Port size F02: G1/4 cannot be mounted on the DIN rail.

PFM5 Series

Refer to pages 202 and 203 for Flow Switch Precautions. For details about the Specific Product Precautions, refer to the Operation Manual on the SMC website, <http://www.smcworld.com> Click [here](#) for details.

Specifications

Model		PFM510	PFM525	PFM550	PFM511
Applicable fluid		Dry air, N ₂ , Ar, CO ₂ (Air quality grade is JIS B8392.1-1, 1.2 to 1.6.2 and ISO 8573.1-1, 1.2 to 1.6.2.)			
Rated flow range (Flow rate range) ^{Note 1)}	Dry air, N ₂ , Ar	0.2 to 10 L/min	0.5 to 25 L/min	1 to 50 L/min	2 to 100 L/min
	CO ₂	0.2 to 5 L/min	0.5 to 12.5 L/min	1 to 25 L/min	2 to 50 L/min
Accuracy		±3%F.S. (Fluid: Dry air)			
Repeatability		±1%F.S. (Fluid: Dry air)			
Pressure characteristics		±5%F.S. (0.35 MPa reference)			
Temperature characteristics		±2%F.S. (15 to 35°C) ±5%F.S. (0 to 50°C)			
Operating pressure range		-100 kPa to 750 kPa			
Rated pressure range		-70 kPa to 750 kPa			
Proof pressure		1 MPa			
Analog output	Response time	50 msec or 1 s (with response time selection function: 1 s at no-voltage input)			
	Voltage output	Voltage output: 1 to 5 V Output impedance: 1 kΩ			
	Current output	Current output: 4 to 20 mA Max. load impedance: 600 Ω, Min. load impedance: 50 Ω			
Status LED's		Power ON indicator: Lights when power is turned on (Green). Flow rate indicator: Flashes when flow is applied (Green).			
Power supply voltage		24 VDC ±10%			
Current consumption		35 mA or less			
Environment	Enclosure	IP40			
	Operating fluid temperature	0 to 50°C (with no freezing and condensation)			
	Operating temperature range	Operating: 0 to 50°C Stored: -10 to 60°C (with no freezing and condensation)			
	Operating humidity range	Operating, Stored: 35 to 85%R.H. (with no condensation)			
	Withstand voltage	1000 VAC for 1 minute between terminals and housing			
Insulation resistance		50 MΩ or more (500 VDC measured via megohmmeter) between terminals and housing			
Standards		CE UL, CSA RoHS			

Note 1) Flow rate unit is based on standard conditions (20°C, 1 atm, 65% RH).

Note 2) For details about wiring and thread type, refer to the Operation Manual that can be downloaded from SMC website (<http://www.smcworld.com>).

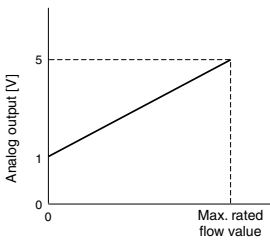
Note 3) Any products with tiny scratches, smears, or display color variation or brightness which does not affect the performance are verified as conforming products.

Piping Specifications/Weight

Part no.	01	02	N01	N02	F01	F02	C4	C6	C6	N7
Port size	Rc 1/8	Rc 1/4	NPT 1/8	NPT 1/4	G1/8	G1/4	ø4 (5/32") One-touch fitting	ø6 One-touch fitting	ø8 (5/16") One-touch fitting	ø1/4" One-touch fitting
Weight	Straight Bottom Straight Bottom	Without orifice: 95 g With orifice: 105 g	Without orifice: 95 g With orifice: 135 g	Without orifice: 135 g With orifice: 145 g	Straight Bottom Straight Bottom	Without orifice: 125 g With orifice: 135 g 165 g 175 g	Straight Bottom Straight Bottom	Without orifice: 55 g With orifice: 65 g 95 g 105 g		
Wetted parts material	LCP, PBT, Brass (Electroless nickel plating), HNBR (+ Fluoro coated), FKM (+ Fluoro coated), Silicon, Au, Stainless steel 304									

Analog Output

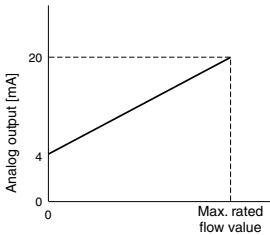
Note) Analog output at maximum rated flow rate when CO₂ is selected is 4.57 [V] for the voltage output type and 18.28 [mA] for the current output type.



Analog Voltage Output (1 to 5 V)

Model	Max. rated flow value [L/min]
PFM510-□-1	10 (5)
PFM525-□-1	25 (12.5)
PFM550-□-1	50 (25)
PFM511-□-1	100 (50)

* () : Fluid: CO₂



Analog Current Output (4 to 20 mA)

Model	Max. rated flow value [L/min]
PFM510-□-2	10 (5)
PFM525-□-2	25 (12.5)
PFM550-□-2	50 (25)
PFM511-□-2	100 (50)

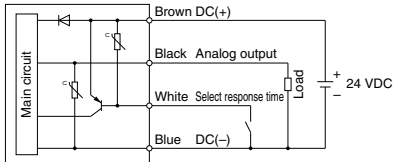
* () : Fluid: CO₂

Internal Circuits and Wiring Examples

-1/2

1: Analog voltage output

2: Analog current output



PFM

PFMB

PFMC

PFMV

PF2A

PF3W

LFE

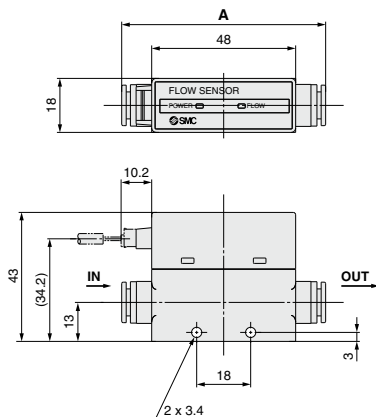
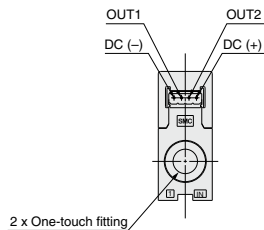
PF2D

IF

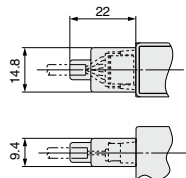
PFM5 Series

Dimensions

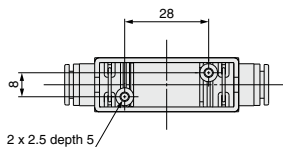
PFM5□□-C4/C6/C8/N7



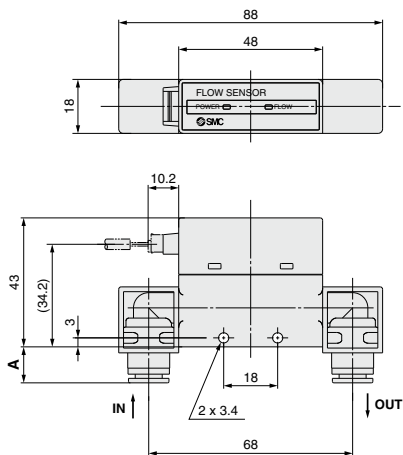
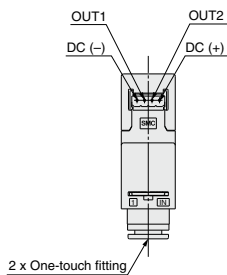
One-touch fitting Applicable tube O.D.	(mm) A
ø4 (5/32")	64.2
ø6	64.6
ø8 (5/16")	68
ø1/4"	64.6



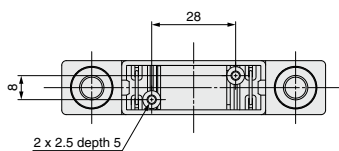
With rubber cover for connector



PFM5□□-C4L/C6L/C8L/N7L

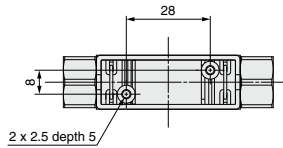
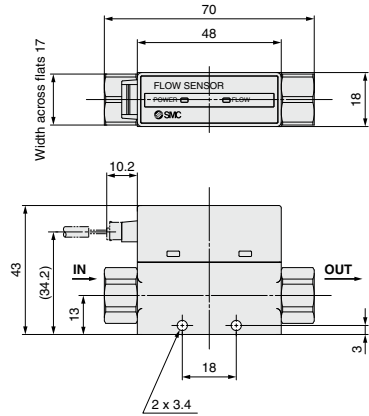
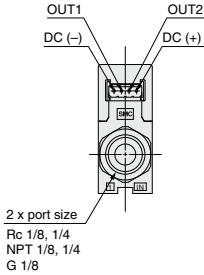


One-touch fitting Applicable tube O.D.	(mm) A
ø4 (5/32")	10.1
ø6	10.3
ø8 (5/16")	12
ø1/4"	10.3

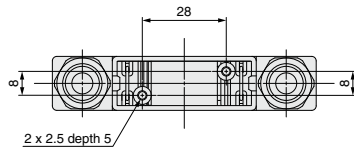
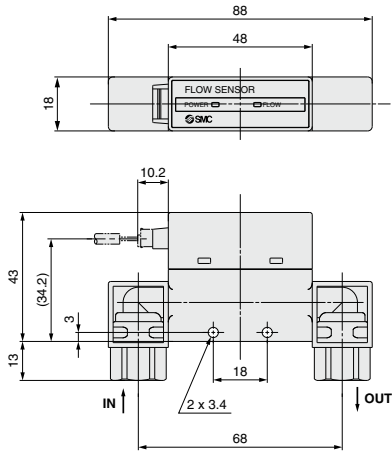
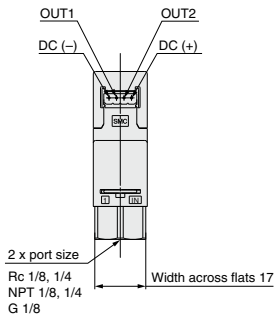


Dimensions

PFM5□□-(N)01/(N)02/F01



PFM5□□-(N)01L/(N)02L/F01L

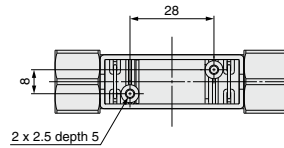
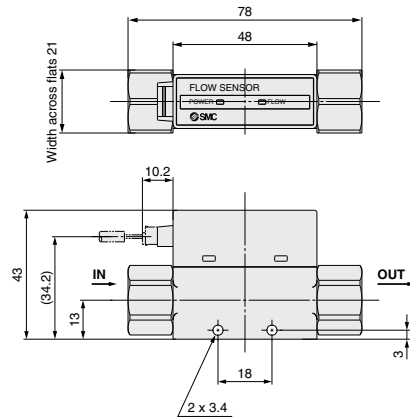
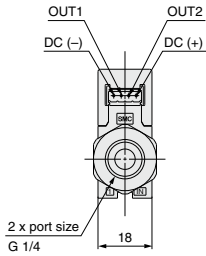


PFM
PFMB
PFMC
PFMV
PF2A
PF3W
LFE
PF2D
IF

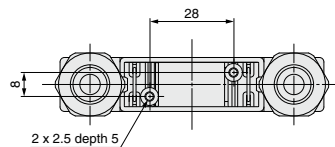
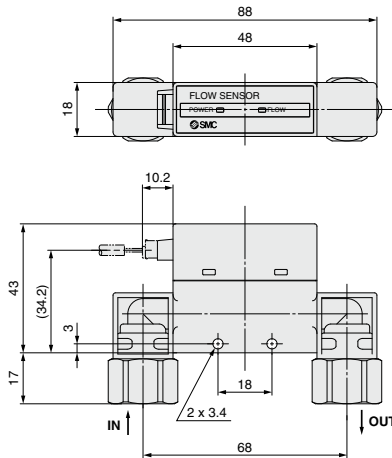
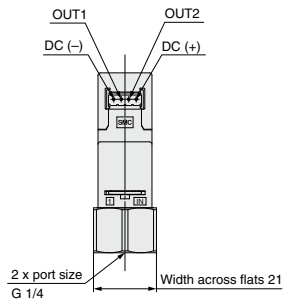
PFM5 Series

Dimensions

PFM5□□-F02

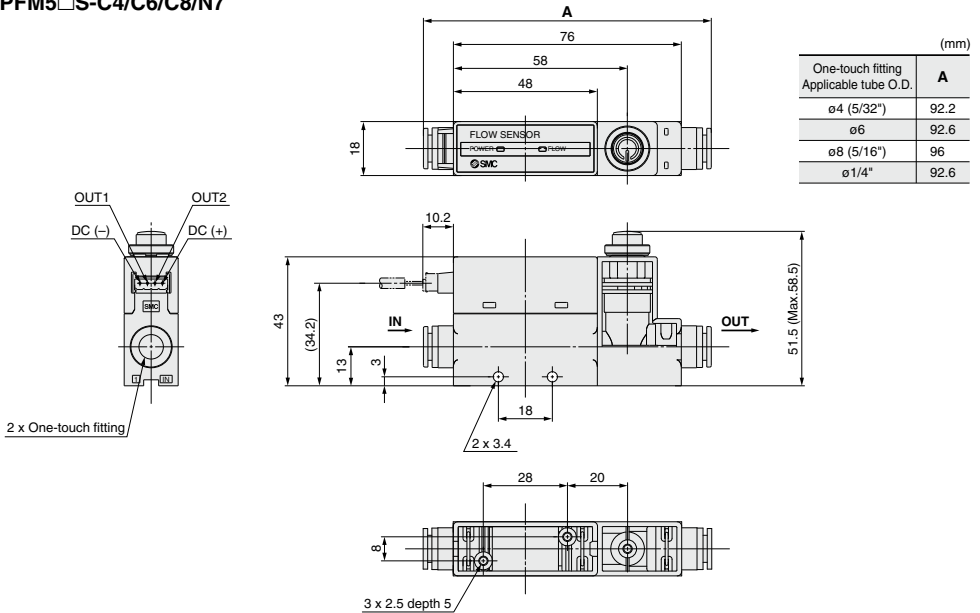


PFM5□□-F02L

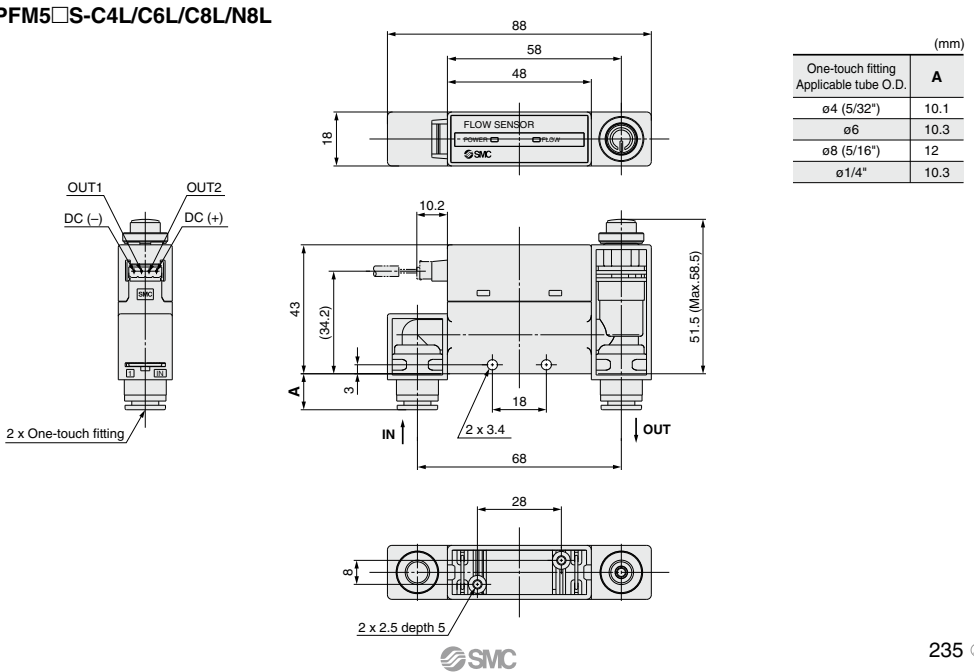


Dimensions

PFM5□S-C4/C6/C8/N7



PFM5□S-C4L/C6L/C8L/N8L



PFM

PFMB

PFMC

PFMV

PF2A

PF3W

LFE

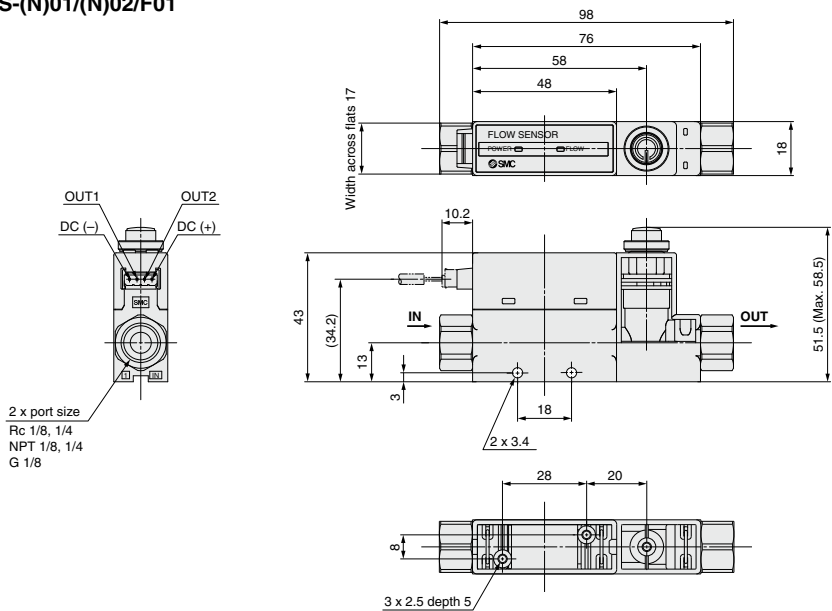
PF2D

IF

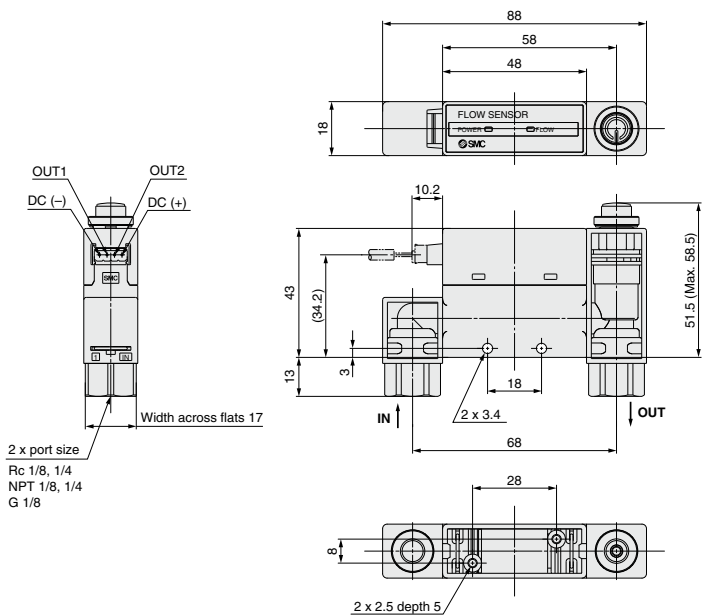
PFM5 Series

Dimensions

PFM5□S-(N)01/(N)02/F01

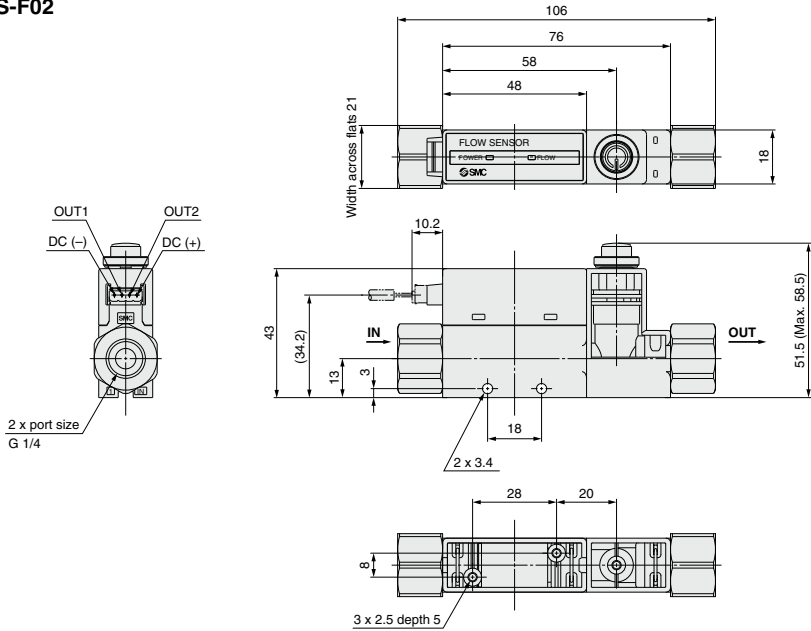


PFM5□S-(N)01L/(N)02L/F01L

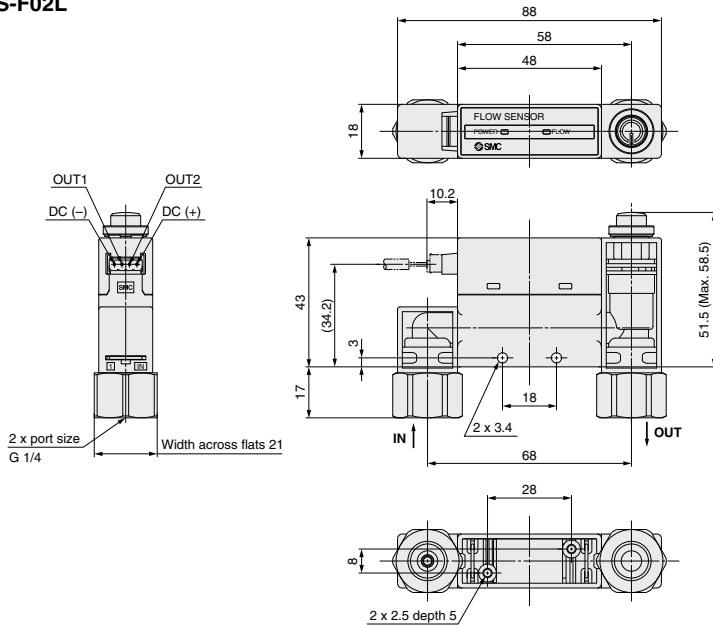


Dimensions

PFM5□S-F02



PFM5□S-F02L

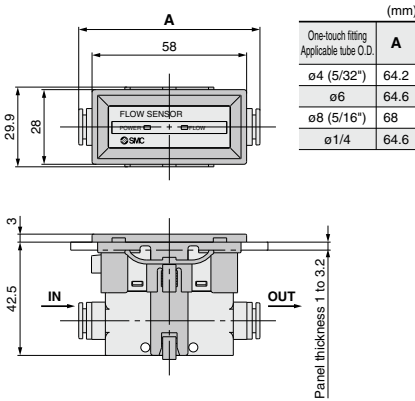


PFM
PFMB
PFMC
PFMV
PF2A
PF3W
LFE
PF2D
IF

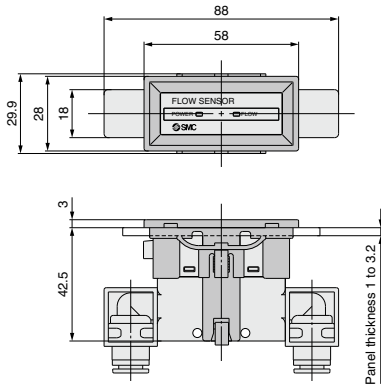
PFM5 Series

Dimensions

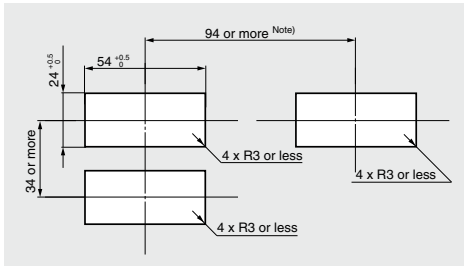
Panel mount adapter/Without flow adjustment valve/Straight



Panel mount adapter/Without flow adjustment valve



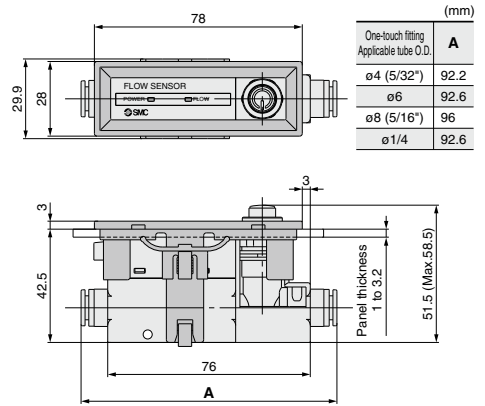
Panel Fitting Dimensions



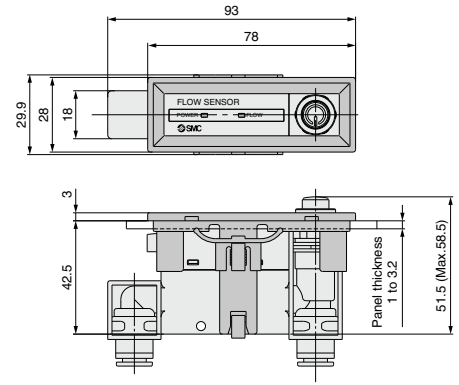
Panel thickness 1 to 3.2 mm

Note) Piping entry direction: Minimum dimensions for bottom side piping. If using straight piping, the piping material and tubing need to be taken into consideration when designing the system. If a bend (R) is used, limit it to R3 or less.

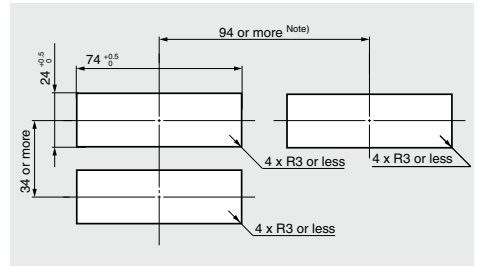
Panel mount adapter/With flow adjustment valve/Straight



Panel mount adapter/With flow adjustment valve



Panel Fitting Dimensions

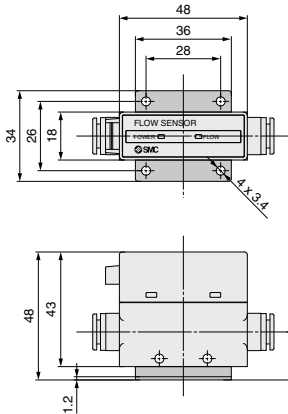


Panel thickness 1 to 3.2 mm

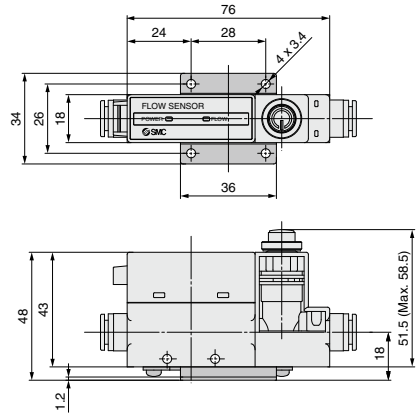
Note) Piping entry direction: Minimum dimensions for bottom side piping. If using straight piping, the piping material and tubing need to be taken into consideration when designing the system. If a bend (R) is used, limit it to R3 or less.

Dimensions

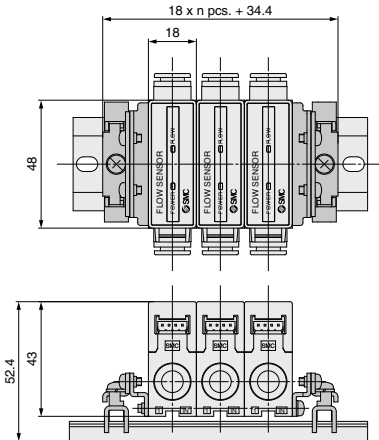
With bracket/Without flow adjustment valve



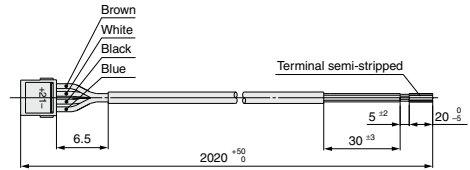
With bracket/With flow adjustment valve



DIN rail mounting



Lead wire with connector
ZS-33-D



Cable Specifications of Lead Wire
with Connector

Conductor	Nominal cross section area	AWG26
	External diameter	Approx. 0.50 mm
Insulation	External diameter	Approx. 1.00 mm
	Colors	Brown, White, Black, Blue
Sheath	Material	Oil-resistant PVC
Finished external diameter		ø3.5

* Connects to the PFM3□□ series.

- DIN rail (supplied by customers)
- Port size, F02: G1/4 cannot be mounted on the DIN rail.

PFM

PFMB

PFMC

PFMV

PF2A

PF3W

LFE

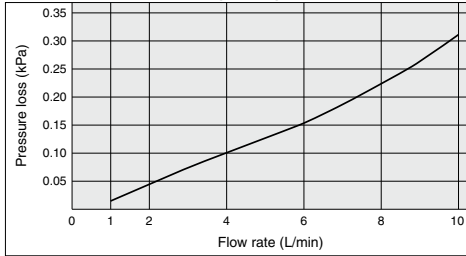
PF2D

IF

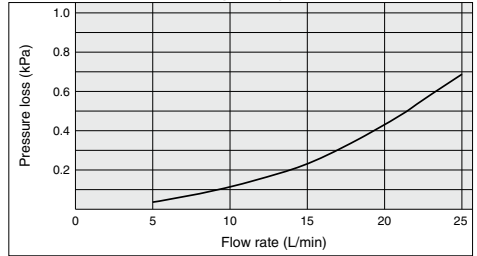
PFM7/PFM5 Series Common Specifications

Pressure Loss (Pressure: 0.35 [MPa])

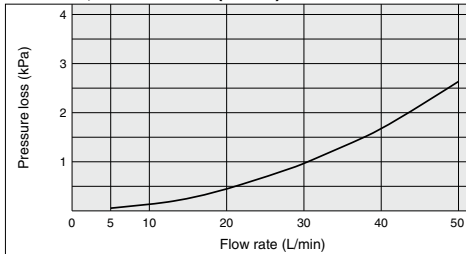
PFM710, 510 / For 10 (L/min)



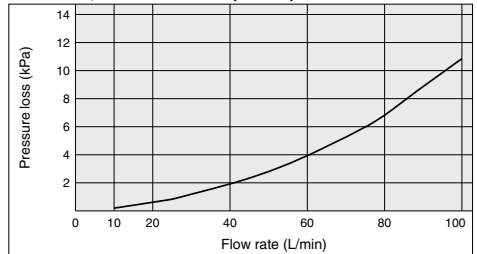
PFM725, 525 / For 25 (L/min)



PFM750, 550 / For 50 (L/min)

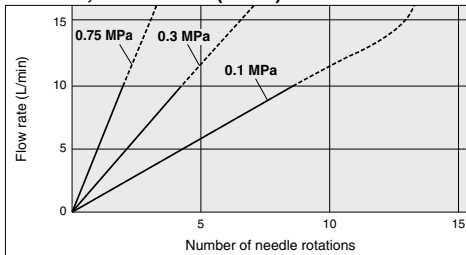


PFM711, 511 / For 100 (L/min)

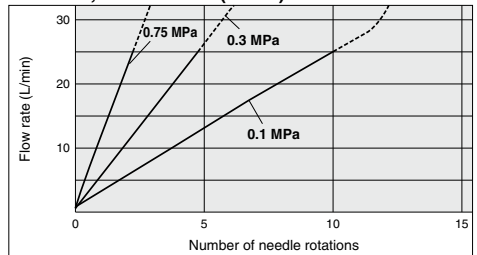


Flow Rate Characteristics (Reference Value)

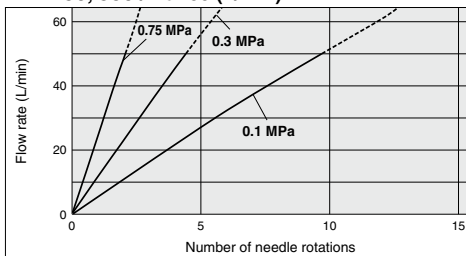
PFM710, 510 / For 10 (L/min)



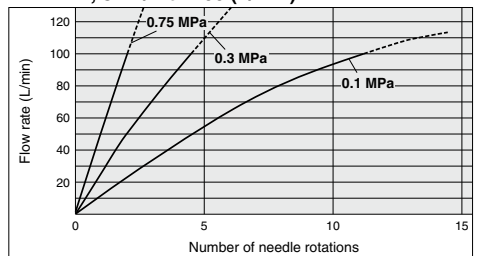
PFM725, 525 / For 25 (L/min)



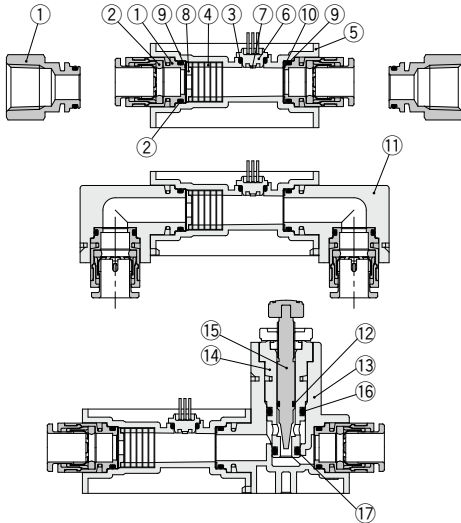
PFM750, 550 / For 50 (L/min)



PFM711, 511 / For 100 (L/min)



Wetted parts construction



Component Parts

No.	Description	Material	Note
1	Fitting for piping	Brass	Electroless nickel plating
2	O-ring	FKM	Fluoro coated
3	O-ring	HNBR	Fluoro coated
4	Rectifying module	Stainless steel 304	
5	Body	PBT	
6	Sensor housing	LCP	
7	Sensor chip	Silicon	
8	Orifice	Brass	Electroless nickel plating
9	Seal	FKM	Fluoro coated
10	Mesh	Stainless steel 304	
11	Bottom piping adapter	PBT	
12	O-ring	HNBR	Fluoro coated
13	Flow adjustment valve assembly	PBT	
14	Body B	Brass	Electroless nickel plating
15	Needle	Brass	Electroless nickel plating
16	O-ring	HNBR	Fluoro coated
17	O-ring	HNBR	Fluoro coated

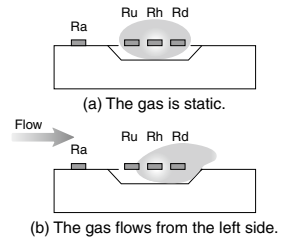
Detection Principle

This MEMS sensor chip consists of upstream temperature measuring sensor (Ru) and downstream temperature measuring sensor (Rd), which are placed symmetrically from the center of a platinum thin film coated heater (Rh) mounted on a membrane, and an ambient temperature sensor (Ra) for measuring gas temperature.

The principle is shown as the diagram on the right. (a) When the gas is static, the temperature distribution of heated gas centered around Rh is uniform, and Ru and Rd have the same resistance. (b) When the gas flows from the left side, it upsets the balance of the temperature distribution of heated gas, and the resistance of Rd becomes greater than that of Ru.

The difference in resistance between Ru and Rd is proportional to the flow velocity, so measurement and analysis of the resistance can show the flow direction and velocity of the gas.

Ra is used to compensate the gas and/or ambient temperature.



PFM

PFMB

PFMC

PFMV

PF2A

PF3W

LFE

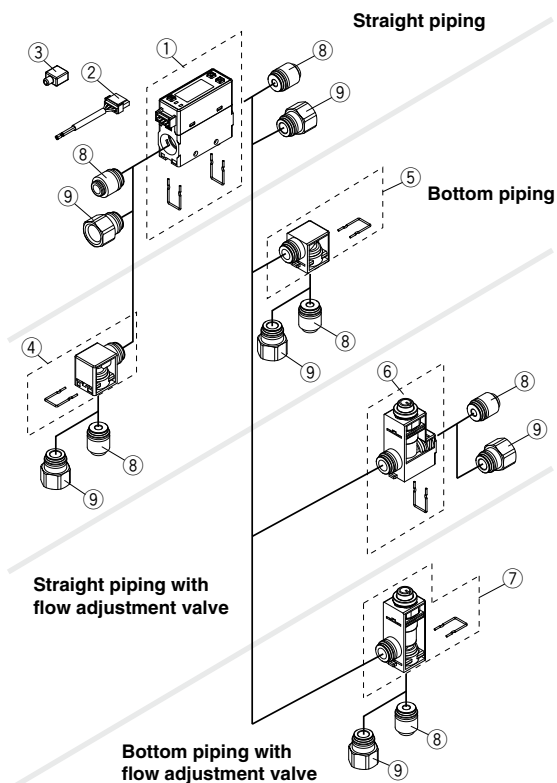
PF2D

IF

PFM7/PFM5 Series

Component Parts

No.	Description	Model	
1	Body		
2	Lead wire with connector (2 m)	ZS-33-D	
3	Rubber cover for connector (silicon rubber)	ZS-33-F	
4	IN side Bottom piping adapter (with pin)	ZS-33-P1L	
5	OUT side Bottom piping adapter (with pin)	ZS-33-P2L	
6	For straight piping Flow adjustment valve assembly (with pin)	For 10 L/min	ZS-33-10N
		For 25 L/min	ZS-33-25N
		For 50 L/min	ZS-33-50N
7	For bottom piping Flow adjustment valve assembly (with pin)	For 10 L/min	ZS-33-10NL
		For 25 L/min	ZS-33-25NL
		For 50 L/min	ZS-33-50NL
8	One-touch fitting	ø4 (5/32")	ZS-33-C4
		ø6	ZS-33-C6
		ø8 (5/16")	ZS-33-C8
		ø1/4"	ZS-33-N7
9	Female thread	Rc 1/8	ZS-33-01
		NPT 1/8	ZS-33-N01
		G 1/8	ZS-33-F01
		Rc 1/4	ZS-33-02
		NPT 1/4	ZS-33-N02
		G 1/4	ZS-33-F02



⚠ Caution

- ① The accuracy could change by 2 to 3% when the piping is removed or replaced.

The repeatability accuracy is $\pm 1\%$ F.S. when piping is replaced with piping of the same size. However, the accuracy could change by 2 to 3% if the size is different or when changing from straight to elbow or from elbow to straight piping.

Flow Sensor Monitor

PFM3 Series



How to Order

Output specification

0	2 NPN outputs + 1 to 5 V output
1	2 NPN outputs + 4 to 20 mA output
2	2 NPN outputs + External input <small>Note)</small>
3	2 PNP outputs + 1 to 5 V output
4	2 PNP outputs + 4 to 20 mA output
5	2 PNP outputs + External input <small>Note)</small>

Note) User can select from accumulated value external reset, auto-shift and auto-shift zero.

PFM3 0 0 - M L

Type

3	Remote display unit
---	---------------------

Input specification

Symbol	Content	Applicable remote type sensor unit
0	Voltage input	PFM5□□(S)-□-1-□
1	Current input	PFM5□□(S)-□-2-□

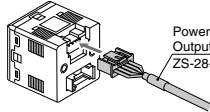
Unit specification

Nil	With unit switching function
M	Fixed SI unit <small>Note)</small>

Note) Fixed unit: instantaneous flow rate: L/min
Accumulated flow: L

Option 1

Nil	None
L	Power supply/Output connector



Note) Cable is not connected, but shipped together.

Operation manual

Nil	With operation manual (Japanese and English)
N	None

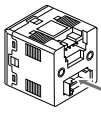
Calibration certificate

Nil	None
A	With calibration certificate

* The certificate is written in English and Japanese. Other languages are available as specials.

Option 3

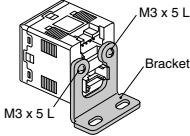
Nil	None
F	With sensor connector



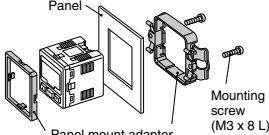
Note) Connector is not connected, but shipped together.

Option 2

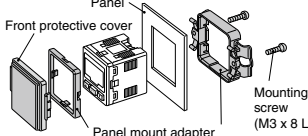
Nil	None
E	Bracket



B	Panel mount adapter
---	---------------------



D	Panel mount adapter + Front protective cover
---	--



Note) Options are not assembled, but shipped together.

Option/Part No.

Description	Part no.	Note
Power supply/Output connector (2 m)	ZS-28-A	
Bracket	ZS-28-B	With M3 x 5 L (2 pcs.)
Sensor connector	ZS-28-C-1	1 pc.
Panel mount adapter	ZS-27-C	With M3 x 8 L (2 pcs.)
Panel mount adapter + Front protective cover	ZS-27-D	With M3 x 8 L (2 pcs.)

PFM

PFMB

PFMC

PFMV

PF2A

PF3W

LFE

PF2D

IF

PFM3 Series

Refer to pages 202 and 203 for Flow Switch Precautions. For details about the Specific Product Precautions, refer to the Operation Manual on the SMC website, <http://www.smworld.com> Click [here](#) for details.

Specifications

Model		PFM3□□			
Rated flow range (Flow rate range)	Dry air, N ₂ , Ar	0.2 to 10 L/min	0.5 to 25 L/min	1 to 50 L/min	2 to 100 L/min
	CO ₂	0.2 to 5 L/min	0.5 to 12.5 L/min	1 to 25 L/min	2 to 50 L/min
Displayable range <small>Note 1)</small>	Dry air, N ₂ , Ar	0.2 to 10.5 L/min	0.5 to 26.3 L/min	1 to 52.5 L/min	2 to 105 L/min
	CO ₂	0.2 to 5.2 L/min	0.5 to 13.1 L/min	1 to 26.2 L/min	2 to 52 L/min
Settable range <small>Note 1)</small>	Dry air, N ₂ , Ar	0 to 10.5 L/min	0 to 26.3 L/min	0 to 52.5 L/min	0 to 105 L/min
	CO ₂	0 to 5.2 L/min	0 to 13.1 L/min	0 to 26.2 L/min	0 to 52 L/min
Minimum unit setting <small>Note 2)</small>		0.01 L/min	0.1 L/min	0.1 L/min	0.1 L/min
Accumulated pulse flow rate exchange value		0.1 L/pulse	0.1 L/pulse	0.1 L/pulse	1 L/pulse
Indication unit <small>Note 3)</small>		Instantaneous flow rate L/min, CFM × 10 ⁻² Accumulated flow L, ft ³ × 10 ⁻⁴			
Accumulated flow range <small>Note 4)</small>		1999999 L			
Power supply voltage		24 VDC ±10% (With polarity protection)			
Current consumption		50 mA or less			
Sensor input		PFM30□: Voltage input 1 to 5 VDC (input impedance: 1 MΩ)			
Number of inputs: 1		PFM31□: Current input 4 to 20 mA DC (input impedance: 250 Ω)			
Hysteresis <small>Note 5)</small>		Hysteresis mode: Variable, Window comparator mode: Variable			
Switch output		NPN or PNP open collector output: 2 outputs Maximum load current: 80 mA, max. load voltage 30 VDC (at NPN output), Residual voltage 1 V or less (at load current 80 mA), With short-circuit protection			
Accumulated pulse output		NPN or PNP open collector output (Same as switch output)			
Response time		1 s (50 ms, 0.5 s, 2 s can be selected.)			
Repeatability		±0.1%F.S., Analog output accuracy: ±0.3%F.S.			
Analog output		Voltage output: 1 to 5 VDC (0 L/min to max. rated flow rate value) Output impedance: Approx. 1 kΩ, Accuracy: ±1%F.S. (relative to display value) Current output: 4 to 20 mA DC (0 L/min to max. rated flow rate value) Max. load impedance: 600 Ω (at 24 VDC), Min. load impedance: 50 Ω Accuracy: ±1%F.S. (relative to display value)			
Display accuracy		±0.5%F.S. ±1 digit			
Display method		3+1/2-digit, 7-segment LED 2-color display (Red/Green) Sampling cycle: 10 times/sec			
Status LED's		OUT1: Lights up when output is turned ON (Green). OUT2: Lights up when output is turned ON (Red).			
External input <small>Note 6)</small>		No-voltage input (Reed or Solid state), LOW level input 30 msec or more, LOW level 0.4 V or less			
Enclosure		IP40			
Operating temperature range		Operating: 0 to 50°C Stored: -10 to 60°C (with no freezing and condensation)			
Operating humidity range		Operating, Stored: 35 to 85%R.H. (with no condensation)			
Withstand voltage		1000 VAC for 1 minute between terminals and housing			
Insulation resistance		50 MΩ or more (500 VDC measured via megohmmeter) between terminals and housing			
Temperature characteristics		±0.5%F.S. (25°C reference)			
Standards		CE UL, CSA RoHS			
Connection		Power supply/Output connection: 5P connector, Sensor connection: 4P connector			
Material		Front case, Rear case: PBT			
Weight		30 g (Without cable) 85 g (With cable)			

Note 1) Select the sensor to connect in the initial setting. If CO₂ is selected as the operating fluid, the value is 1/2 on the maximum side.

Note 2) When 10 L/min with a minimum unit setting of 0.01 L/min is selected for the connected sensor, the upper limit of the display range is 10.50 L/min.

When 100 L/min with a minimum unit setting of 0.1 L/min is selected for the connected sensor, the upper limit of the display range is 105.0 L/min.

The setting at the time of shipment is 10 L/min with a minimum unit setting of 0.1 L/min for the connected sensor.

Note 3) When equipped with a unit switching function. (The SI unit (L/min or L) is fixed for types with no unit switching function.)

Note 4) The accumulated flow value is cleared to 0 when power is turned off. It is possible to select function that holds the accumulated flow value so it is not cleared. (The accumulated flow value can be held at 2- or 5-minute intervals.) The service life of the memory element (electronic component) is limited to 1 million overwrite cycles (assuming 24-hour operation, 5 minutes × 1 million cycles = 9.5 million minutes = 9.5 years) when 5-minute intervals are selected. Therefore, when using the holding function, calculate the service life based on the usage conditions, and use the switch within the service life. Applies to models equipped with a unit switching function. (The SI unit (L/min or L) is fixed for types with no unit switching function.)

Note 5) Set to hysteresis mode at the time of shipment from the factory. Can be changed to window comparator mode using push-buttons.

Note 6) Accumulated external reset function at the time of shipment from the factory. Auto-shift or auto-shift zero function can be selected using push-buttons.

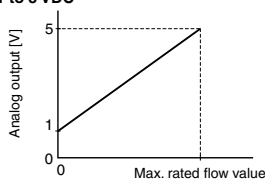
Note 7) For details about wiring and thread type, refer to the Operation Manual that can be downloaded from SMC website (<http://www.smworld.com>).

Note 8) Any products with thin scratches, smears, or display color variation or brightness which does not affect the performance are verified as conforming products.

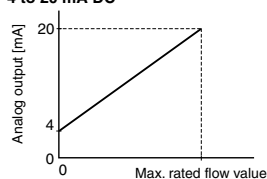
Analog Output

Note: Analog output at maximum rated flow rate when CO₂ is selected is 3 [V] for the voltage output type and 12 [mA] for the current output type.

1 to 5 VDC



4 to 20 mA DC

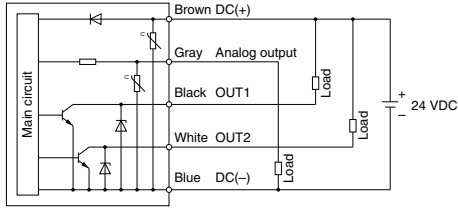


Rated flow range	Max. rated flow value [L/min]
0.2 to 10 L/min	10 (5)
0.5 to 25 L/min	25 (12.5)
1 to 50 L/min	50 (25.5)
2 to 100 L/min	100 (50)

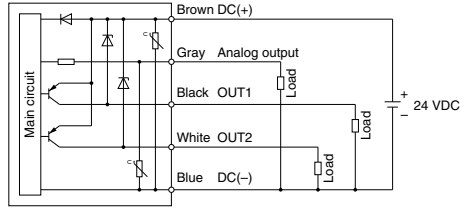
* () : Fluid: CO₂

Internal Circuits and Wiring Examples

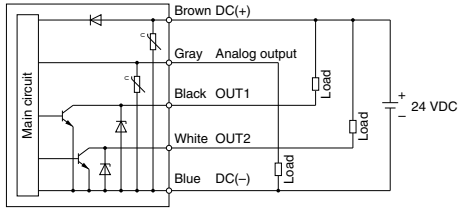
-0
NPN (2 outputs) + Analog voltage output



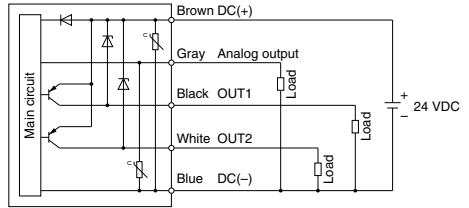
-3
PNP (2 outputs) + Analog voltage output



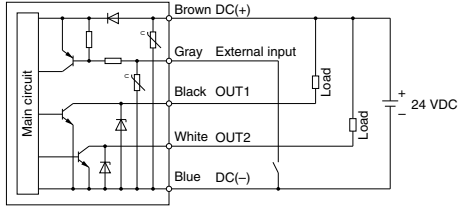
-1
NPN (2 outputs) + Analog current output



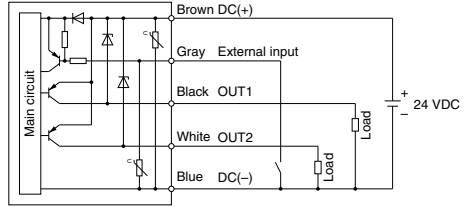
-4
PNP (2 outputs) + Analog current output



-2
NPN (2 outputs) + External input

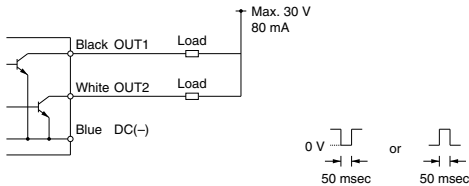


-5
PNP (2 outputs) + External input

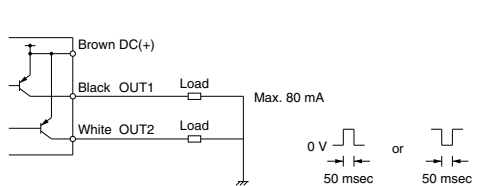


Accumulated pulse output wiring examples

-0/1/2



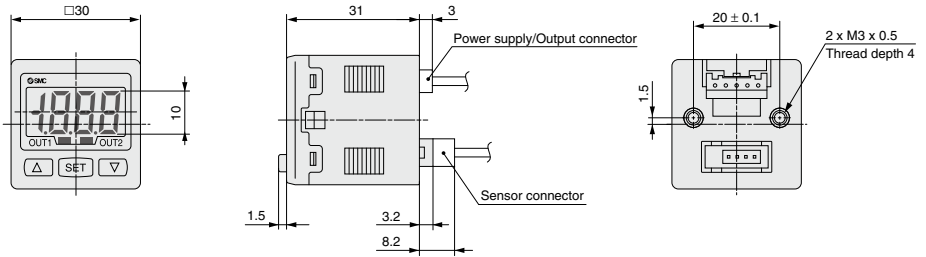
-3/4/5



PFM
PFMB
PFMC
PFMV
PF2A
PF3W
LFE
PF2D
IF

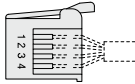
PFM3 Series

Dimensions



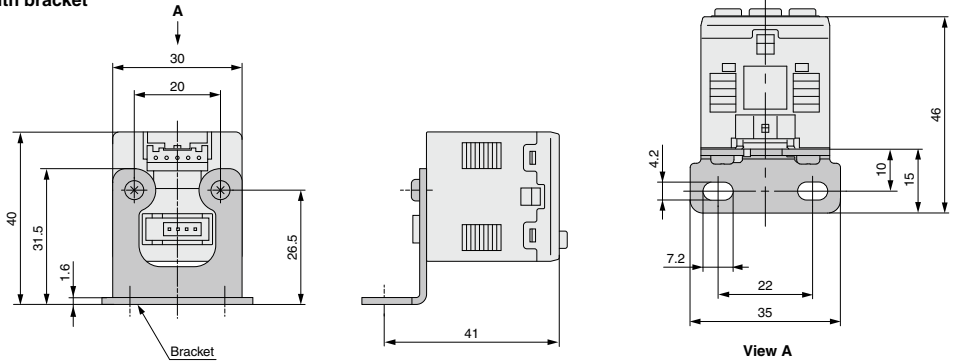
Sensor connector (ZS-28-C-1)

Pin no.	Terminal name
1	DC (+)
2	N.C.
3	DC (-)
4	IN*

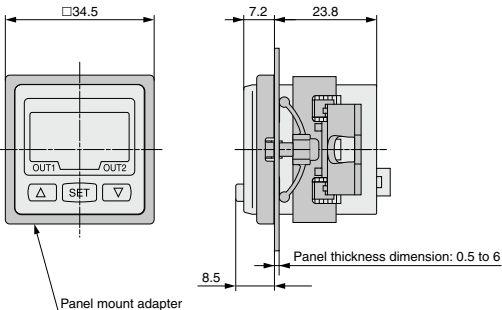


* 1 to 5 V or 4 to 20 mA

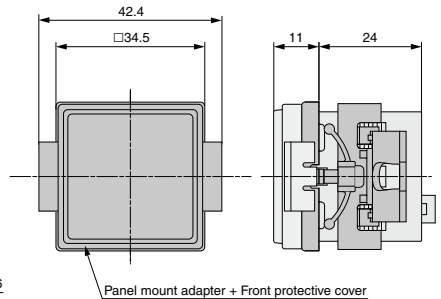
With bracket



With panel mount adapter



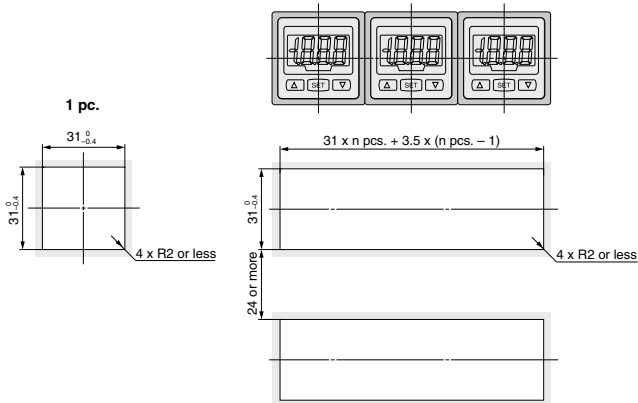
With panel mount adapter + Front protective cover



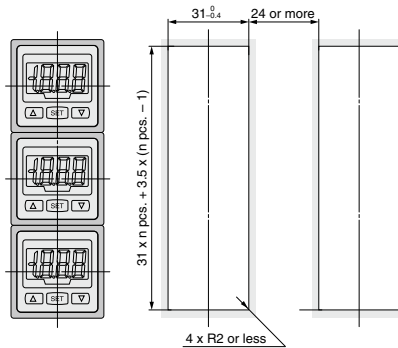
Dimensions

Panel fitting dimensions

Secure mounting of n (2 or more) switches (horizontal)

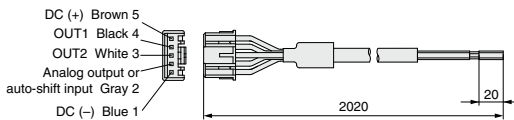


Secure mounting of n (2 or more) switches (vertical)



Note) If a bend (R) is used, limit it to R2 or less.

Power supply/Output connector (ZS-28-A)



Cable Specifications

Conductor	Nominal cross section area	0.2 mm ²
	External diameter	0.58 mm
Insulation	External diameter	Approx. 1.12 mm
	Colors	Brown, Black, White, Gray, Blue
Sheath	Material	Oil-resistant PVC
Finished external diameter		ø4.1

PFM

PFMB

PFMC

PFMV

PF2A

PF3W

LFE

PF2D

IF

PFM Series

Function Details

■ Output operation

The output operation can be selected from the following:
Output (hysteresis mode and window comparator mode) corresponding to instantaneous flow rate,
Output corresponding to accumulated flow,
Accumulated output pulse output

At the time of shipment from the factory, it is set to hysteresis mode and normal output.

■ Indication color

The indication color can be selected for each output condition. The selection of the indication color provides visual identification of abnormal values. (The indication color depends on OUT1 setting.)

Green for ON, Red for OFF
Red for ON, Green for OFF
Red all the time
Green all the time

■ Selection of operating fluid

The fluid can be selected. If argon (Ar) or carbon dioxide (CO₂) is used, the setting needs to be changed.

Dry air, N ₂
Argon
CO ₂

Note) When CO₂ is selected, the upper limit of the measured flow rate range will be 1/2 of that for other fluids.

■ Selection of indication unit reference

The indication unit reference can be selected between standard conditions and normal conditions.

Standard conditions: Flow rate converted to a volume at 20°C and 1atm (atmosphere)
Normal conditions: Flow rate converted to a volume at 0°C and 1atm (atmosphere)

■ Setting of response time

The flow rate may change momentarily during transition between ON (open) and OFF (closed) of the valve. It can be set so that this momentary change is not detected.

0.05 sec.
0.5 sec.
1 sec.
2 sec.

<Principle>

When the switch has been in ON area for a set period of time, the output will turn on (or off).

■ Indication mode

The indication mode can be selected between instantaneous flow rate and accumulated flow.

Instantaneous flow rate display
Accumulated flow display

■ External input function

The external input function can be selected from accumulated value external reset, auto-shift and auto-shift zero.

(Input signal: Connect input line to GND for 30 ms or more.)

External reset: This function resets the accumulated value to "0" when an input signal is applied.

Auto-shift: This function generates an output corresponding to the change in relation to instantaneous flow rate when an input signal is applied.

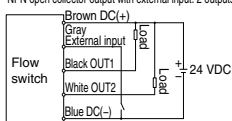
Auto-shift zero: This function displays instantaneous flow rate as "0" when a positive input signal is applied in the auto shift function described above.

Set values and flow rates that are relatively on the negative side are expressed by illumination of the decimal point on the far left.

■ External input wiring example

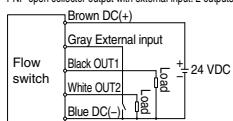
PFM3□2

NPN open collector output with external input: 2 outputs



PFM3□5

PNP open collector output with external input: 2 outputs



■ Indication resolution

The indication resolution of the PFM710 and 711 series can be changed to enable values to be indicated in smaller steps.

100 resolution	PFM710 by 0.1 L/min PFM711 by 1 L/min
1000 resolution	PFM710 by 0.01 L/min PFM711 by 0.1 L/min

■ Accumulated value hold

Accumulated value is not cleared even when the power supply is turned off.

The accumulated value is memorized every 2 or 5 min. during measurement, and continues from the last memorized value when the power supply is turned on again.

The life time of the memory element is 1 million access cycles. Take this into consideration before using this function.

■ Selection of analog output filter

This selection is available when using a product with an analog output. A signal with fast response speed can be generated by turning off the analog output filter.

■ Selection of power-saving mode

The power-saving mode can be selected.

With this function, if no buttons are pressed for 30 sec., it shifts to power-saving mode.

At the time of shipment from the factory, the product is set to the normal mode (the power-saving mode is turned off).

(When power-saving mode is activated, the decimal point flashes.)

■ Setting of secret code

The user can select whether a secret code must be entered to release key lock.

At the time of shipment from the factory, it is set such that the secret code is not required.

■ Peak/Bottom value indication

The maximum (minimum) flow rate is detected and updated from when the power supply is turned on. In peak (bottom) value indication mode, this maximum (minimum) flow rate is displayed.

■ Keypress function

Prevents operation errors such as accidentally changing setting values.

■ Zero-clear function

Allows the user to adjust the measured flow rate indication to zero. The adjustment range is $\pm 10\%$ F.S. of the initial factory setting.

■ Error indication function

When an error or abnormality arises, the location and contents are displayed.

Description	Contents	Action
Flow rate error	The flow rate exceeds the upper limit of indicated flow rate range.	Decrease the flow rate.
	There is a reverse flow equivalent to -5% or more.	Turn the flow to correct direction.
Overcurrent error	Load current of 80 mA or more is applied to the switch output (OUT1).	Eliminate the cause of the overcurrent by turning off the power supply and then turn on it again.
	Load current of 80 mA or more is applied to the switch output (OUT2).	
System error	Possibility of internal circuit damage before factory adjustment.	Stop operation immediately and contact SMC.
System error	System error. Possibility of data memorizing failure or internal circuit damage.	Reset the unit, and carry out all settings again.
Zero-clear error	If zero-clear is performed (by holding down [A] and [B] buttons simultaneously for 1 sec.) while there is some flow, "Er4" will be displayed for 1 sec.	Perform zero-clear of accumulated flow rate when there is no flow.
Flow rate error	The flow rate exceeds the accumulated flow rate range.	Clear the accumulated flow rate. (This error does not matter when the accumulated flow rate is not being used.)

If the failure cannot be solved after the above instructions are performed, please contact SMC for investigation.

PFM7/PFM5 Series

Made to Order 1

Please contact SMC for detailed specifications, lead times and prices.



Symbol

1 Changing the Piping Entry Direction Combination for IN and OUT Side

X693, X694

PFM **7** □ □ □ □ - □ □ □ □ □ □ - **X693**

● **Type**

5	Remote sensor unit
7	Integrated display

● **Piping entry direction**

Note) No symbol is entered.

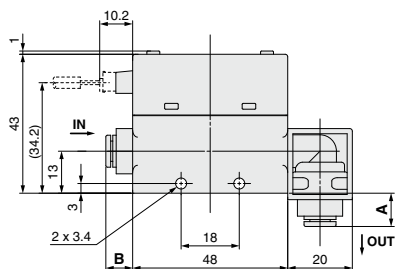
● **Changing the piping entry direction combination**

X693	IN side: Straight/OUT side: Bottom
X694	IN side: Bottom/OUT side: Straight

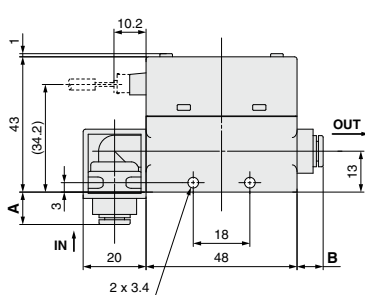
For details of How to Order, refer to pages 214 and 228.

Dimensions

PFM₅ □ □ -C4/C6/C8/N7-□-X693

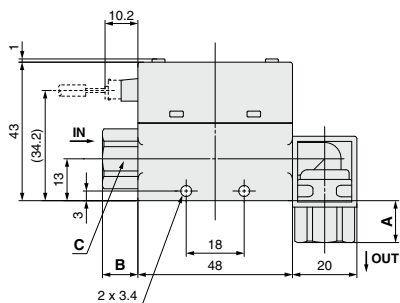


PFM₅ □ □ -C4/C6/C8/N7-□-X694

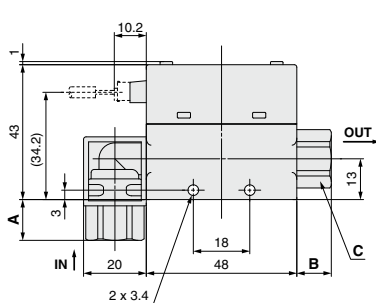


One-touch fitting Applicable tube O.D.	A	B	
C4	ø4 (5/32")	10.1	8.1
C6	ø6	10.3	8.3
C8	ø8 (5/16")	12	10
N7	ø1/4	10.3	8.3

PFM₅ □ □ □ □ -01/02-□-X693



PFM₅ □ □ □ □ -01/02-□-X694



Port size	A	B	C (Width across flats)
Rc 1/8, 1/4 NPT 1/8, 1/4 G 1/8	13	11	17
G 1/4	17	15	21

PFM

PFMB

PFMC

PFMV

PF2A

PF3W

LFE

PF2D

IF

PFM7/PFM5 Series

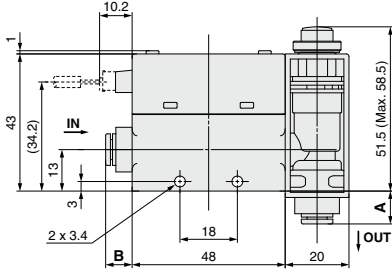
Made to Order 2

Please contact SMC for detailed specifications, lead times and prices.



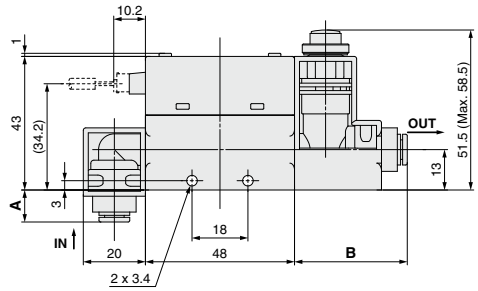
Dimensions

PFM₅ □ □ S-C4/C6/C8/N7-□-X693



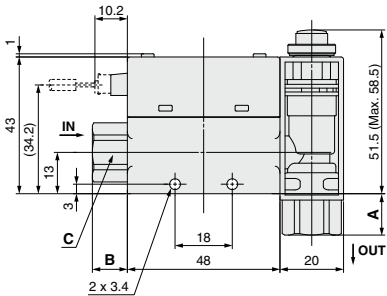
One-touch fitting Applicable tube O.D.	A	B
ø4 (5/32")	10.1	8.1
ø6	10.3	8.3
ø8 (5/16")	12	10
ø1/4	10.3	8.3

PFM₅ □ □ S-C4/C6/C8/N7-□-X694



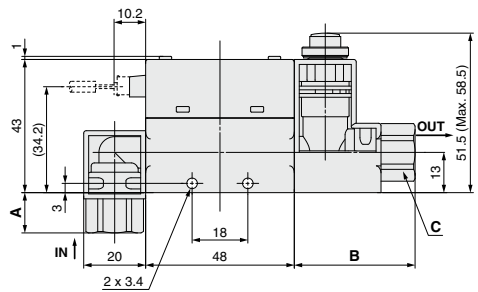
One-touch fitting Applicable tube O.D.	A	B
ø4 (5/32")	10.1	36.1
ø6	10.3	36.3
ø8 (5/16")	12	37
ø1/4	10.3	36.3

PFM₅ □ □ S-□01/02-□-X693



Port size	A	B	C (Width across flats)
Rc 1/8, 1/4 NPT 1/8, 1/4 G 1/8	13	11	17
G 1/4	17	15	21

PFM₅ □ □ S-□01/02-□-X694



Port size	A	B	C (Width across flats)
Rc 1/8, 1/4 NPT 1/8, 1/4 G 1/8	13	39	17
G 1/4	17	43	21

