

Compact 5-Port Solenoid Valve

JSY1000/3000/5000 Series

Plug-in

Size reduction has been made possible thanks to a flow increase.



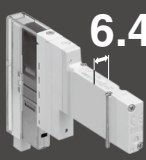
This allows for **space saving**, **weight reduction**, and a **large flow rate**.

*1 The cylinder speed is 300 mm/s.

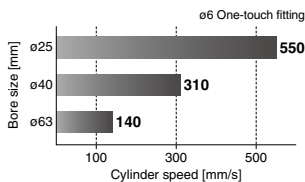
Can drive $\varnothing 40^{*1}$ bore cylinders

JSY1000

6.4 mm



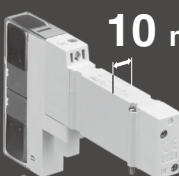
A, B port size: $\varnothing 2, \varnothing 4, \varnothing 6$



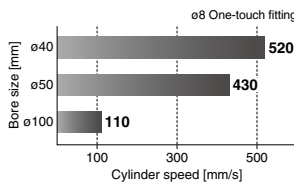
Can drive $\varnothing 50^{*1}$ bore cylinders

JSY3000

10 mm



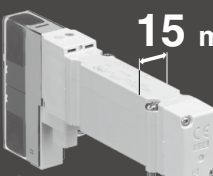
A, B port size: $\varnothing 6, \varnothing 8$



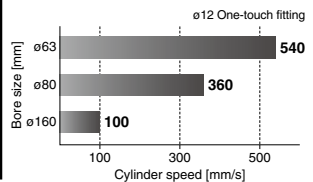
Can drive $\varnothing 80^{*1}$ bore cylinders

JSY5000

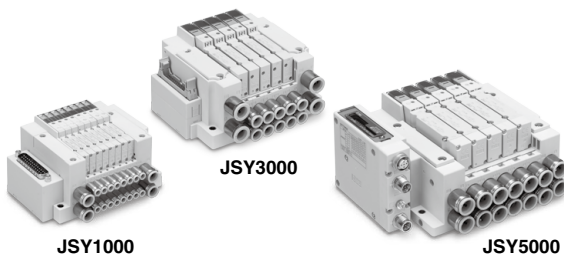
15 mm



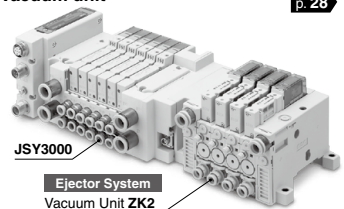
A, B port size: $\varnothing 10, \varnothing 12$



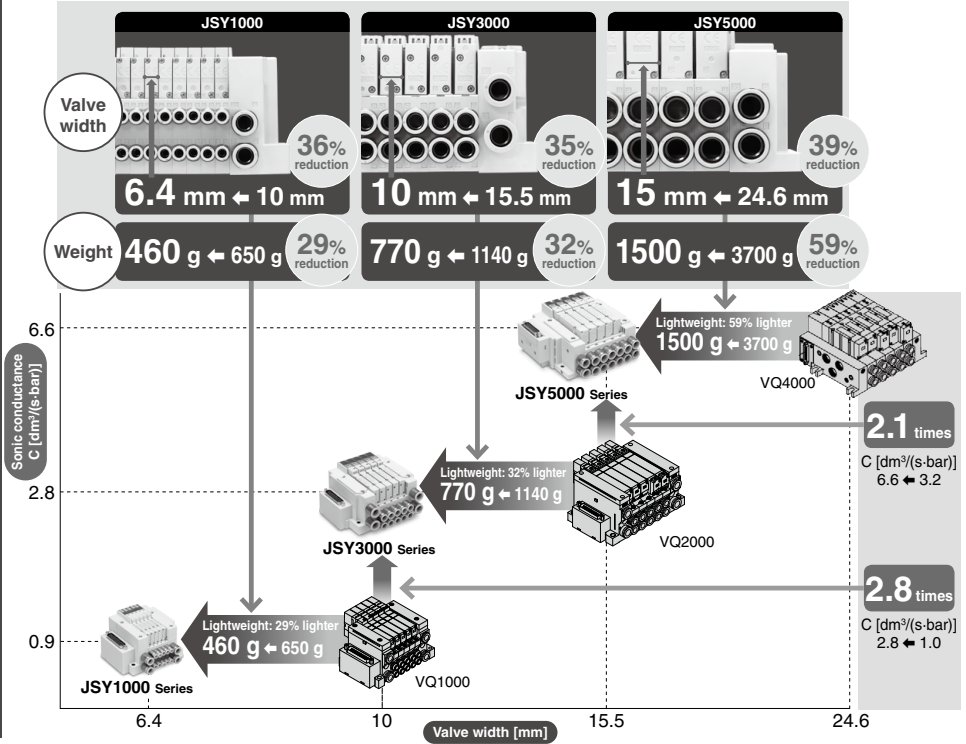
Refer to pages 30 to 33 for detailed conditions regarding the above cylinder speeds.



Can be connected with the ZK2 series vacuum unit p. 28



Series Map



Wiring

		D-sub Connector			Serial Transmission					
		IP67 FW type p. 42	IP40 Connector entry direction adjustable F type p. 42	IP20 Compact type: FC type p. 42	DeviceNet®	PROFIBUS DP	CC-Link	EtherNet/IP™	EtherCAT	PROFINET
JSY1000		●	●	●	●	●	●	●	●	●
JSY3000		●	●	●	●	●	●	●	●	●
JSY5000		●	●	●	●	●	●	●	●	●
Compatible protocol										
Series										
Integrated type (For input/output)	EX600	●	●	●	●	●	●	● ^{*1}	●	● ^{*1}
	EX245	●	●	●	●	●	●	●	●	● ^{*2}
	EX250	●	●	●	●	●	●	●	●	●
Integrated type (For output)	EX260	●	●	●	●	●	●	●	●	●
	EX120	●	●	●	●	●	●	●	●	●

*1 Compatible with wireless systems *2 JSY3000/5000

Power consumption

With power-saving circuit

JSY3000/5000 *1 **0.1 w** JSY1000 **0.2 w**

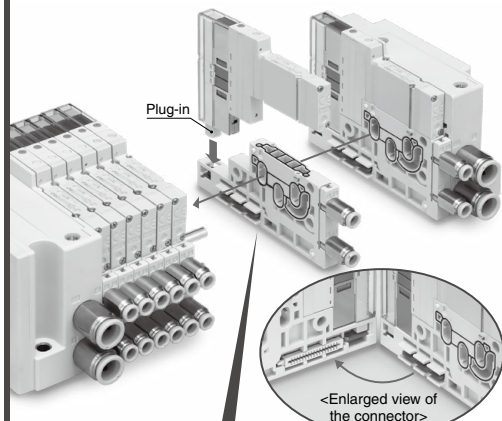
*1 Made to Order

Standard

JSY3000/5000 *2 **0.4 w**

*2 The JSY1000 series is only available as the power-saving type.

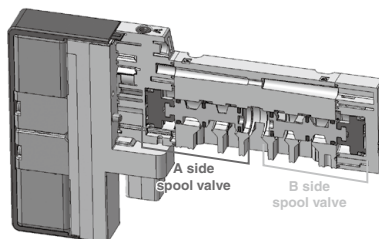
Connector type manifold



Connector type manifold 32 outputs

A 4-position dual 3-port valve is available.

- Features two 3-port valves built into one body



- The 3-port valves on the A and B sides can be operated independently.
- When used as a 3-port valve, only half the number of stations are required.
- Can also be used as a 4-position, 5-port valve
- Combination examples

Series	A side	B side
JSY□A0□	N.C. valve	N.C. valve
JSY□B0□	N.O. valve	N.O. valve
JSY□C0□	N.C. valve	N.O. valve

Flat Ribbon Cable

Connector entry direction adjustable P/P/G/PH type

p. 42

Upward



Compact type PC/PGC/PHC type

p. 21



Spring type TC type

p. 64



T type

p. 64



Lead Wire

p. 76



Serial Transmission

CANopen

AS-Interface

OMRON CompoBus/S

CompoNet®

EtherNet/IP™ compatible wireless base

PROFINET compatible wireless base

IO-Link

PROFIsafe

Ethernet POWERLINK

The EX600-W series is compatible with wireless systems. p. 84

■ Noise resistance

- Uses the 2.4 GHz ISM frequency band
- Frequency hopping: Every 5 ms

■ High-speed connection

- From the remote power supply ON to start of communication:
Min. 250 ms

■ Communication response

- Wireless communication signal
Response time: **5 ms**

■ Communication cables not required

- Reduced wiring work, space, and cost
- Minimized disconnection risk

■ Number of I/O points

- Max. 1280 inputs/1280 outputs
(Max. 128 inputs/128 outputs per module)

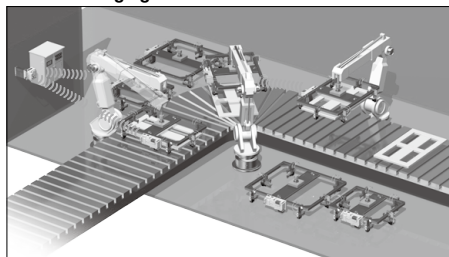
■ Compatible protocols

EtherNet/IP

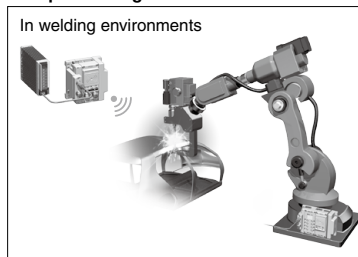


Application Examples

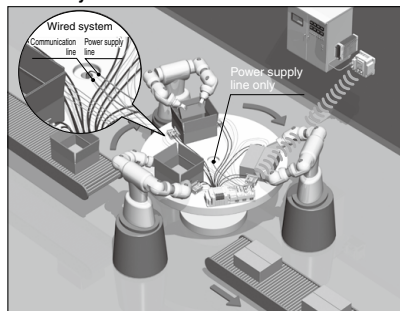
For tool changing



For spot welding



For rotary tables



The EX260 series supports safety communication (PROFIsafe).

■ This is a Fieldbus unit which supports safety standard ISO 13849-compliant safety circuit constructions.



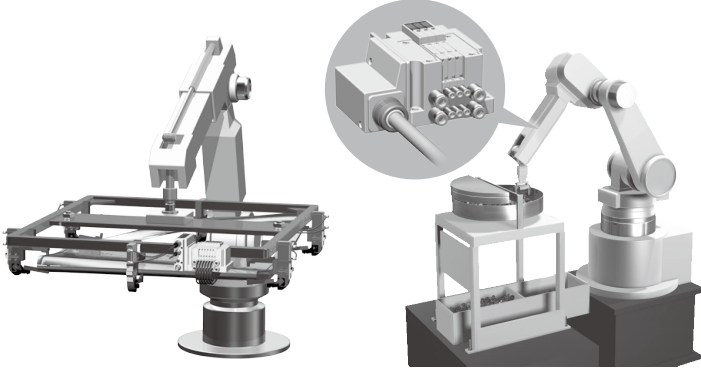
PROFIsafe is established as an international standard (IEC 61784-3-3). It is a communication protocol that transmits safety-related data by PROFINET communication and can be used up until safety standards ISO 13849-1 PL e and IEC 61508/IEC 62061 SIL 3.

■ Using the safety communication protocol

Refer to the EX260 **Web Catalog** for details on units that support the safety communication protocol. When using a manifold valve within an ISO 13849-compliant safety system, the device needs to be considered from both the pneumatic circuit and the electric side. Devices (including valves) need to be selected based on whether their functions are in line with the safety level of the equipment as a whole. The use of valves that have been validated as being compliant with ISO 13849-2 may be required. For details on valves that have been validated, please contact SMC. In addition, refer to "Safety Instructions" for precautions on model selection.



Application Examples


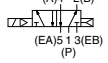
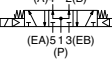
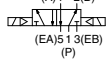
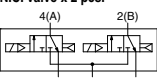

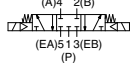
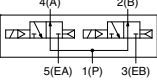

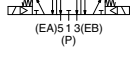
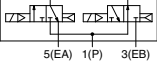


JSY5000

JSY3000

JSY1000

Series Variations

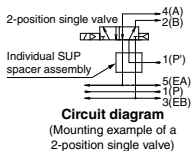
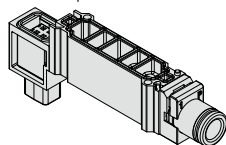
	Sonic conductance C [dm ³ /(s·bar)] 4/2→5/3 {(A/B→EA/EB)}	Type of actuation	Rated voltage	Port size							
				4(A), 2(B) port						1(P), 3/5(E) port	
				ø2	ø4	ø6	ø8	ø10	ø12		
JSY1000 	ø4 0.87	2-position single  (A)4 2(B) (EA)5 1 3(EB) (P)	3-position pressure center  (A)4 2(B) (EA)5 1 3(EB) (P)	24 VDC	●	●					
		2-position double  (A)4 2(B) (EA)5 1 3(EB) (P)			4-position dual 3-port valve N.C. valve x 2 pcs.  4(A) 2(B) 5(EA) 1(P) 3(EB)			●			ø8
JSY3000 	ø8 2.77	3-position closed center  (A)4 2(B) (EA)5 1 3(EB) (P)	N.O. valve x 2 pcs.  4(A) 2(B) 5(EA) 1(P) 3(EB)				●	●			ø10
		JSY5000 	ø12 6.59		3-position exhaust center  (A)4 2(B) (EA)5 1 3(EB) (P)	N.C. valve, N.O. valve x 1 pc. of each  4(A) 2(B) 5(EA) 1(P) 3(EB)				●	●

● Standard ○ Option ▲ Made to Order

Manifold Options

Individual SUP spacer

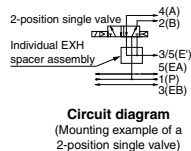
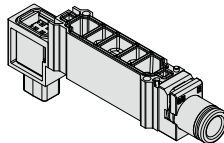
When the same manifold is to be used for different pressures, an individual SUP spacer can be used to act as a supply port for different pressures.



p. 153

Individual EXH spacer

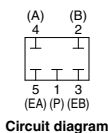
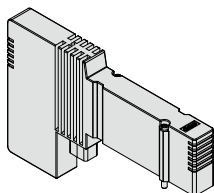
When valve exhaust affects other stations due to the circuit configuration, this spacer can be used for individual valve exhaust.



p. 153

Blanking plate

Used when valve additions are expected or for maintenance



p. 153

Silencer (One-touch fitting connection type)

This silencer can be mounted to the 3/5 (E: EXH) port of the manifold in one step.



p. 154

Pitch width [mm]	Wiring		Manifold options								Valve options				
	Positive common	Negative common	Blanking plate	Individual SUP spacer	Individual EXH spacer	SUP/EXH blocking disk	Label for blocking disk	Silencer (One-touch fitting connection type)	Built-in silencer	Vacuum/Low-pressure specification	Different pressures	Reverse pressure	Mixed fitting sizes	Enclosure IP67*1	
6.5															
9	●	●	○ p. 153	○ p. 153	○ p. 153	○ p. 154	○ p. 154	○ p. 154	●	▲ External pilot	○ Individual SUP	▲ External pilot	●	—	
11.5													●		
16													●		

*1 Refer to "Manifold Specifications" on pages 38 and 39 for details on IP67.

Manifold Options

■ SUP/EXH blocking disk

(For the connector type manifold, Type 10)

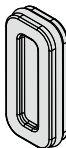
[SUP blocking disk]

Inserting an SUP blocking disk in the pressure supply passage of a manifold valve can allow for the use of 2 different pressures (high and low) in 1 manifold.

[EXH blocking disk]

Inserting an EXH blocking disk in the exhaust passage of a manifold valve can separate the exhaust from the valve so it does not affect the other valves. It can also be used in positive pressure and vacuum pressure mixed manifolds. (2 pieces are required to block both the EA and EB sides of the EXH.)

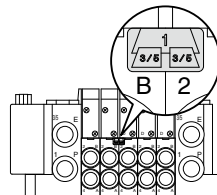
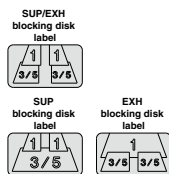
p. 154



■ Labels for blocking disks

These labels can be used to indicate and confirm where on the manifold the SUP/EXH blocking disk assemblies were inserted. (3 labels of each)

p. 154



Tube Releasing Tool

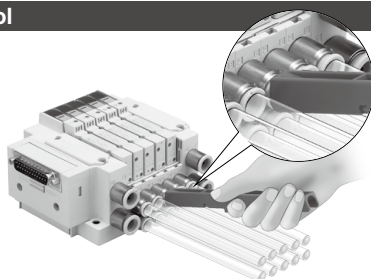
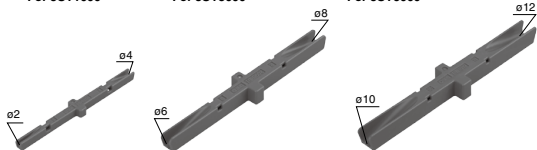
■ This tool can be used to remove tubes from ports A and B.

p. 151

For JSY1000

For JSY3000

For JSY5000



Vacuum Unit ZK2 Combination Manifold p. 140

JSY3000 valves and ZK2 ejectors can be connected to the same manifold.

This allows for a compact body and reduced wiring/wiring labor.

Fieldbus compatible

The centralized electrical wiring can be connected to the fieldbus system.

• For Input/Output

EX600 DeviceNet®, PROFIBUS DP, CC-Link, EtherNet/IP™, EtherCAT, PROFINET, EtherNet/IP™ compatible wireless base, PROFINET compatible wireless base

EX245 PROFINET

EX250 DeviceNet®, PROFIBUS DP, EtherNet/IP™
CANopen, AS-Interface

• For Output

EX260 DeviceNet®, PROFIBUS DP, CC-Link, EtherNet/IP™, EtherCAT
PROFINET, Ethernet POWERLINK, IO-Link, PROFIsafe

EX120 DeviceNet®, CC-Link, OMRON CompoBus/S, CompoNet®

Various selectable wiring methods

D-sub connector

- Compact type: FC type (IP20)
- Connector entry direction adjustable: F type (IP40)
- FW type (IP67)

Fiat ribbon cable

- Compact type: PC/PGC/PHC type
- Connector entry direction adjustable: P/PG/PH type

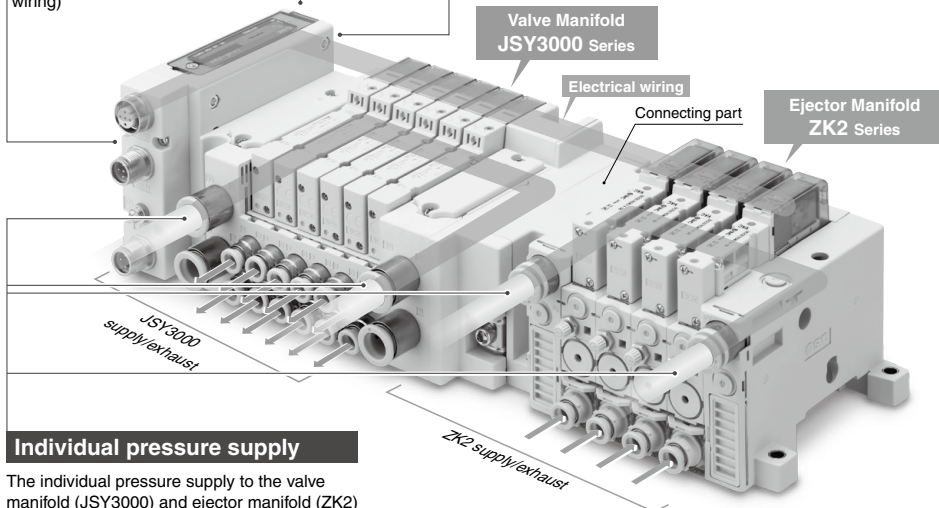
Terminal block box

- Spring type: TC type
- T type

Lead wire

Integrated manifold

Centralized electrical wiring for ejectors and valves (Reduced wiring)



Individual pressure supply

The individual pressure supply to the valve manifold (JSY3000) and ejector manifold (ZK2) prevents the reduction of vacuum pressure due to pressure interference.

Specifications

- Max. number of outputs: 32 (Valve + Ejector)
- Valve stations: 2 to 24 stations (Max. number of outputs: 30, Depends on whether single or double)
- Ejector stations: 1 to 8 stations (Max. number of outputs: 16)

Centralized wiring and piping directions

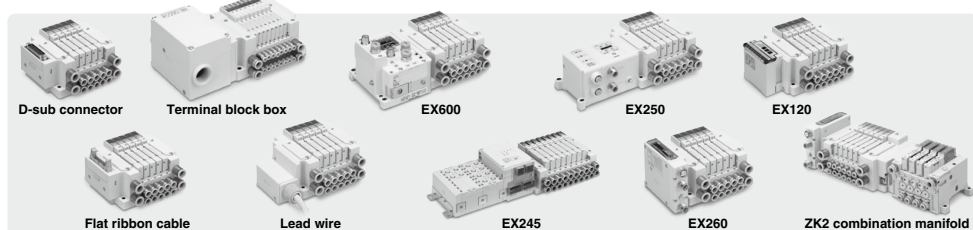
Wiring and piping for valves and ejectors can be arranged in the same direction. (Wiring method: Terminal block box and lead wire or EX250 and EX260)

CONTENTS

Optimum Actuation Size Chart of Air Cylinder	p. 30
Valve Specifications	p. 34
Response Time	p. 35
Valve Weight	p. 35
Valve Construction	p. 36
Valve Replacement Parts: Pilot Valve	p. 37

Plug-in Connector Connecting Base

Manifold Specifications	p. 38
Manifold Weight	p. 38
Manifold Flow Rate Characteristics	p. 38
ZK2 Combination Manifold Weight	p. 39
Connector Wiring Layout	p. 40



D-sub Connector, Flat Ribbon Cable [IP20/40/67]

How to Order	p. 42
Dimensions	
D-sub Connector (IP40/Connector Entry Direction Adjustable): F	p. 44
D-sub Connector (IP67): FW	p. 48
D-sub Connector (IP20/Compact Type): FC	p. 50
Flat Ribbon Cable	
(IP40/Connector Entry Direction Adjustable): P/PG/PH	p. 53
Flat Ribbon Cable (IP20/Compact Type): PC/PGC/PHC	p. 57
Electrical Wiring Specifications: D-sub Connector Cable	p. 60
Electrical Wiring Specifications: Flat Ribbon Cable Connector	p. 61

Spring Type Terminal Block Box, Terminal Block Box

How to Order	p. 64
Dimensions	
Spring Type Terminal Block Box: TC	p. 66
Terminal Block Box: T	p. 70
Connection/Electrical Wiring Specifications	p. 74

Lead Wire

How to Order	p. 76
Dimensions	p. 78
Electrical Wiring Specifications	p. 82

EX600 Integrated Type (For Input/Output) Serial Transmission System

How to Order	p. 84
Dimensions	p. 86

EX245 Integrated Type (For Input/Output) Serial Transmission System

How to Order	p. 94
Dimensions	p. 96

EX250 Integrated Type (For Input/Output) Serial Transmission System

How to Order	p. 98
Dimensions	p. 100

EX260 Integrated Type (For Output) Serial Transmission System

How to Order	p. 104
Dimensions	p. 108

EX120 Integrated Type (For Output) Serial Transmission System

How to Order	p. 112
Dimensions	p. 114

Type 10/Side Ported: Common Dimensions

(External Pilot, Built-in Silencer/Mixed Size, Straight Port Type)	p. 118
--	--------

Manifold Exploded View [By Wiring]

D-sub Connector/Flat Ribbon Cable (IP40/Connector Entry Direction Adjustable)	p. 123
D-sub Connector (IP67)	p. 124
D-sub Connector/Flat Ribbon Cable (IP20/Compact Type)	p. 125
Spring Type Terminal Block Box	p. 126
Terminal Block Box	p. 127
Lead Wire	p. 128
EX600	p. 129
EX245	p. 131
EX250	p. 133
EX260	p. 134
EX120	p. 135

Manifold Exploded View [Common Parts]

Type 10: How to Increase Connector Type Manifolds	p. 136
For the JJ5SY1-10, JJ5SY3-10, JJ5SY5-10/ Manifold Parts Nos.	p. 137

Vacuum Unit ZK2 Combination Manifold

How to Order	p. 140
Dimensions	p. 144

ZK2 Combination Manifold Exploded View

For the JJ5SY3-10-M (ZZK2□A)	p. 147
Manifold Parts Nos.	p. 148

ZK2□A Vacuum Ejector Manifold Exploded View

How to Increase Manifold Stations	p. 149
-----------------------------------	--------

One-touch Fittings, Plug, Clip, Port Plate,

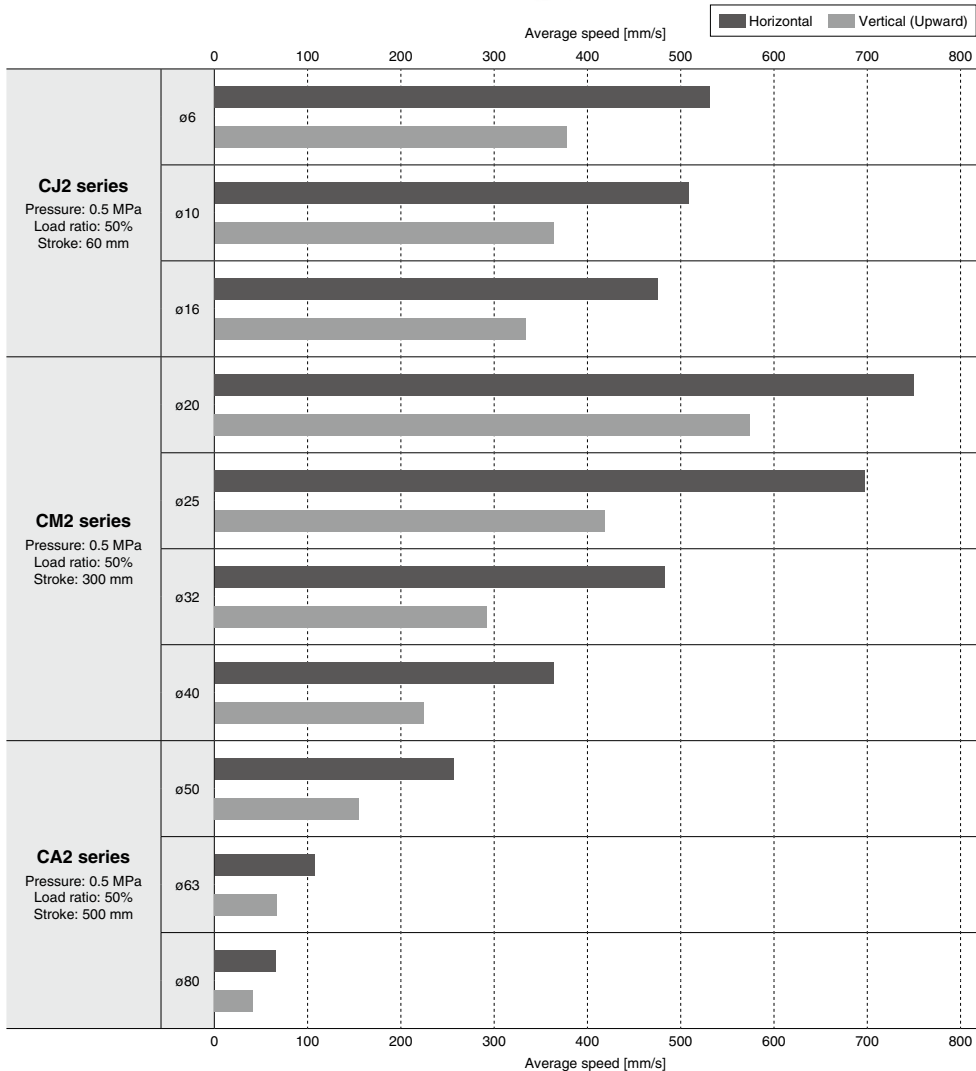
Tube Releasing Tool	p. 151
Manifold Options	p. 152

Made to Order

Specific Product Precautions	p. 156
------------------------------	--------

Optimum Actuation Size Chart of Air Cylinder

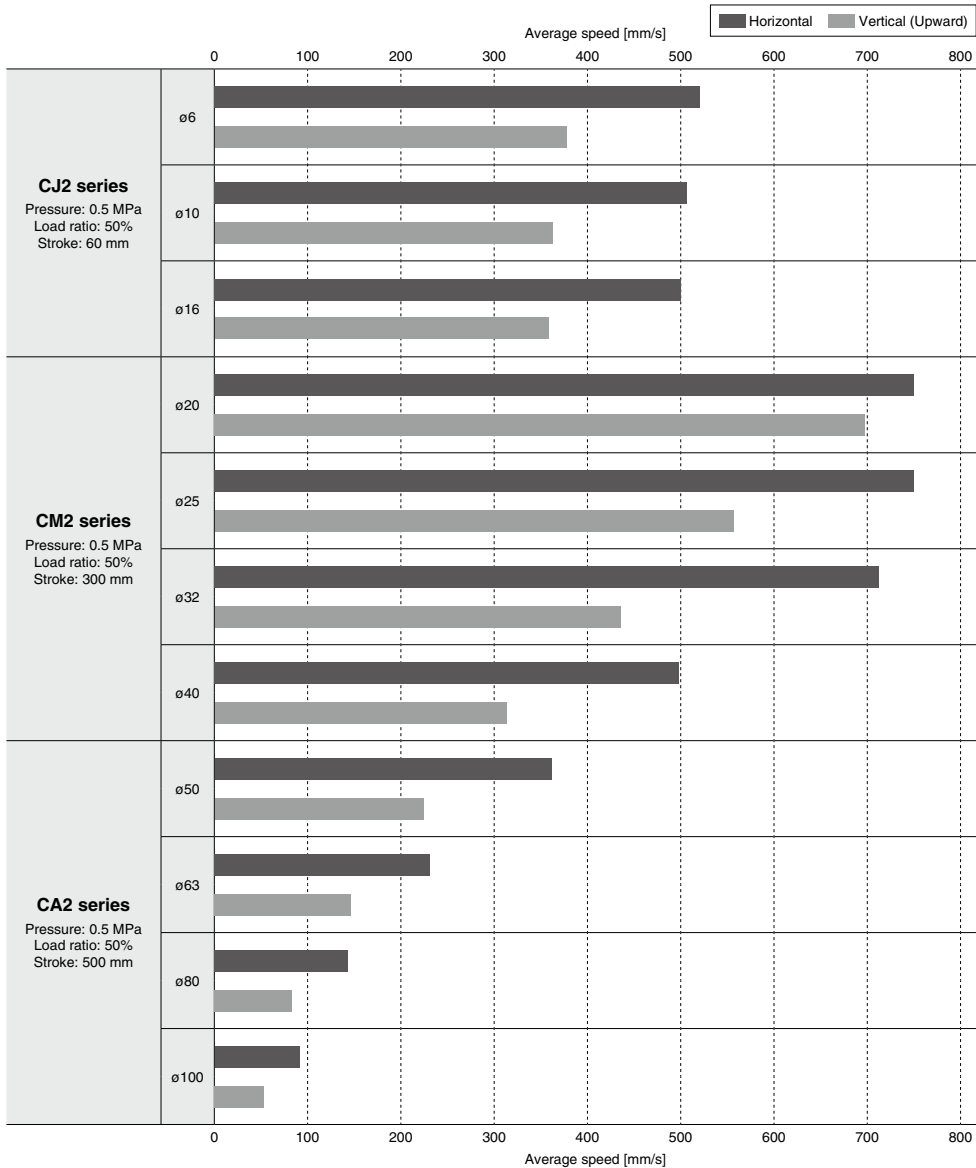
For JSY1000, A, B port: $\phi 4$



- * Values at extension of a directly coupled cylinder when meter-out speed controllers are used with the needle full open.
- * The average speed of the cylinder is obtained by dividing the stroke by the total stroke time.
- * Formula for load ratio: Load ratio = ((Load mass x 9.8)/Theoretical output) x 100%
- * Cylinder for horizontal use are based on the coefficient of rolling friction 0.1.
- * Operating piston speed is different depending on the applicable cylinder. Refer to the cylinder catalog for details.

Optimum Actuation Size Chart of Air Cylinder

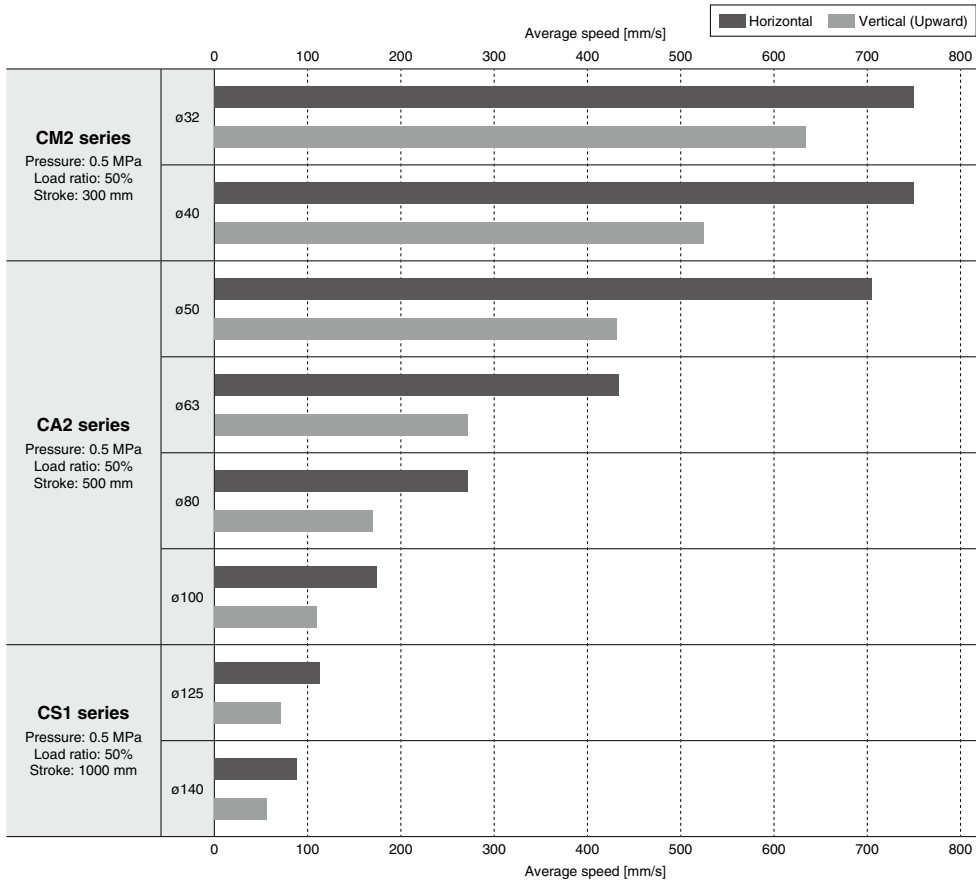
For JSY1000, A, B port: $\phi 6$



- * Values at extension of a directly coupled cylinder when meter-out speed controllers are used with the needle full open.
- * The average speed of the cylinder is obtained by dividing the stroke by the total stroke time.
- * Formula for load ratio: Load ratio = ((Load mass x 9.8)/Theoretical output) x 100%
- * Cylinder for horizontal use are based on the coefficient of rolling friction 0.1.
- * Operating piston speed is different depending on the applicable cylinder. Refer to the cylinder catalog for details.

Optimum Actuation Size Chart of Air Cylinder

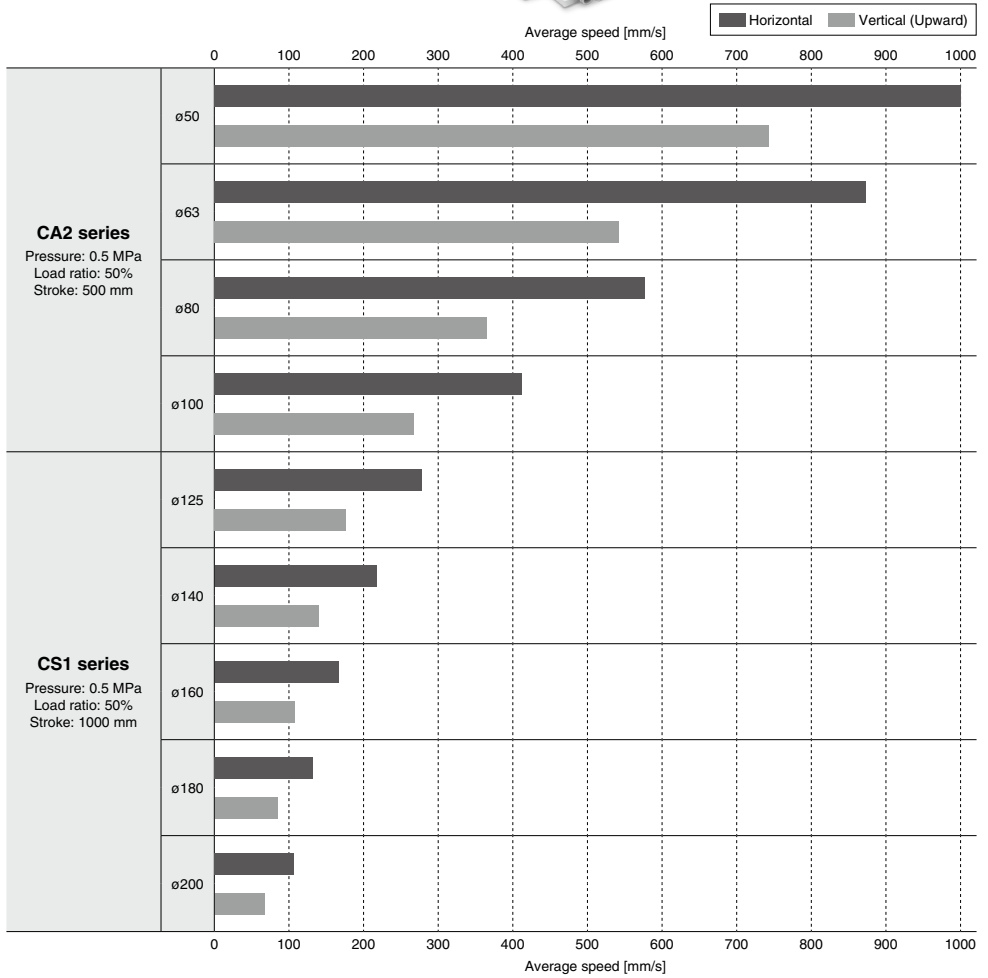
For JSY3000, A, B port: $\varnothing 8$



- * Values at extension of a directly coupled cylinder when meter-out speed controllers are used with the needle full open.
- * The average speed of the cylinder is obtained by dividing the stroke by the total stroke time.
- * Formula for load ratio: Load ratio = ((Load mass x 9.8)/Theoretical output) x 100%
- * Cylinder for horizontal use are based on the coefficient of rolling friction 0.1.
- * Operating piston speed is different depending on the applicable cylinder. Refer to the cylinder catalog for details.

Optimum Actuation Size Chart of Air Cylinder

For JSY5000, A, B port: $\phi 12$



- * Values at extension of a directly coupled cylinder when meter-out speed controllers are used with the needle full open.
- * The average speed of the cylinder is obtained by dividing the stroke by the total stroke time.
- * Formula for load ratio: Load ratio = ((Load mass x 9.8)/Theoretical output) x 100%
- * Cylinder for horizontal use are based on the coefficient of rolling friction 0.1.
- * Operating piston speed is different depending on the applicable cylinder. Refer to the cylinder catalog for details.

JSY1000/3000/5000 Series Valve Specifications

Valve Specifications

Valve type		Rubber seal	
Fluid		Air	
Internal pilot operating pressure range [MPa]	2-position single		0.15 to 0.7
	2-position double		0.1 to 0.7
	3-position		0.2 to 0.7
	4-position dual 3-port valve		0.15 to 0.7
External pilot (Made to Order) operating pressure range [MPa]	Operating pressure range		-100 kPa to 0.7
	Pilot pressure range	2-position single	0.25 to 0.7
		2-position double	
		3-position	
Ambient and fluid temperatures [°C]		-10 to 50 (No freezing)	
Max. operating frequency [Hz]	JSY1000/3000	2-position single/double	5
		4-position dual 3-port valve	
		3-position	3
	JSY5000	2-position single/double	5
		4-position dual 3-port valve	3
		3-position	3
Manual override		Non-locking push type	
		Push-turn locking slotted type	
		Push-turn locking lever type*1	
Pilot exhaust type	Internal pilot		Individual exhaust
	External pilot (Made to Order)		
Lubrication		Not required	
Mounting orientation *2		Unrestricted	
Impact/Vibration resistance *2 [m/s ²]		150/30	
Enclosure		JSY1000: IP40 JSY3000/5000: IP67 (Based on IEC 60529)	
Coil rated voltage [DC]		24 V	
Allowable voltage fluctuation [V]		±10% of the rated voltage	
Power consumption [W]	Standard	JSY3000/5000	0.4
	With power-saving circuit	JSY1000	0.2*3 [Inrush 0.5, Holding 0.2]
		JSY3000/5000 (Made to Order)	0.1*4 [Inrush 0.4, Holding 0.1]
Surge voltage suppressor		Diode (Varistor for non-polar type)	
Indicator light		LED	

*1 Not available for the JSY1000 series

*2 Impact resistance: No malfunction occurred when tested in the axial direction and at a right angle to the main valve and armature in both an energized and a de-energized state, once in each condition. (Value in the initial state)

Vibration resistance: No malfunction occurred in a one-sweep test between 45 and 2000 Hz in the axial direction and at a right angle to the main valve and armature in both an energized and a de-energized state, once in each condition. (Value in the initial state)

Refer to page 160 for details on securing the DIN rail mounting type manifold.

*3 The JSY1000 series is only available as the power-saving type. Standard type (without power-saving circuit) cannot be selected.

*4 For details, refer to page 158.

Response Time

Series	Model	Type of actuation	Response time [ms]*1	
			With light/surge voltage suppressor	
			Z type	U type
JSY1000	JSY1100	2-position single	15	—
	JSY1200	2-position double	7	
	JSY13/4/500	3-position	16	
	JSY1A/B/C00	4-position dual 3-port valve	19	
JSY3000	JSY3100	2-position single	27	18
	JSY3200	2-position double	13	12
	JSY33/4/500	3-position	27	24
	JSY3A/B/C00	4-position dual 3-port valve	23	23
JSY5000	JSY5100	2-position single	35	25
	JSY5200	2-position double	19	17
	JSY53/4/500	3-position	41	37
	JSY5A/B/C00	4-position dual 3-port valve	37	37

*1 Based on dynamic performance test, JIS B 8419-2010 (Coil temperature: 20°C, at rated voltage)

Valve Weight

JSY1000 Series

Valve model	Type of actuation		Weight [g]
JSY1□00	2-position	Single	24
		Double	27
	3-position	Closed center	30
		Exhaust center	
		Pressure center	
4-position	Dual 3-port valve	27	

JSY5000 Series

Valve model	Type of actuation		Weight [g]
JSY5□00	2-position	Single	91
		Double	100
	3-position	Closed center	110
		Exhaust center	
		Pressure center	
	4-position	Dual 3-port valve	96

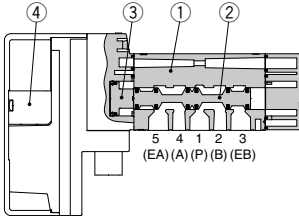
JSY3000 Series

Valve model	Type of actuation		Weight [g]
JSY3□00	2-position	Single	54
		Double	63
	3-position	Closed center	67
		Exhaust center	
		Pressure center	
	4-position	Dual 3-port valve	63

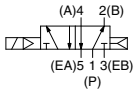
JSY1000/3000/5000 Series Valve Construction

Rubber Seal

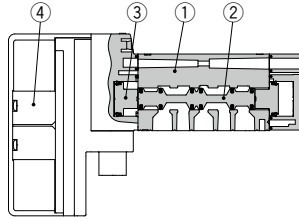
2-position single



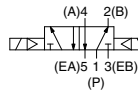
2-position single



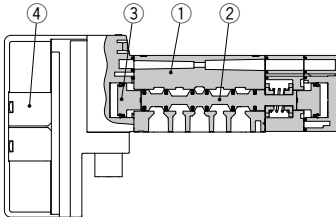
2-position double



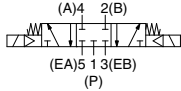
2-position double



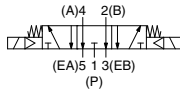
3-position closed center/exhaust center/pressure center



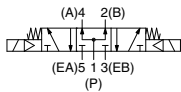
3-position closed center



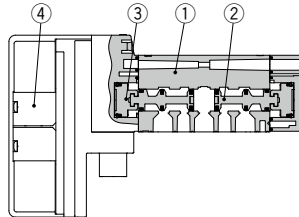
3-position exhaust center



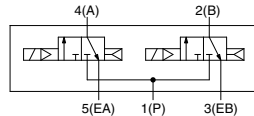
3-position pressure center



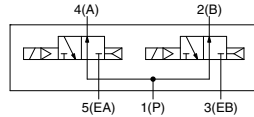
4-position dual 3-port valve



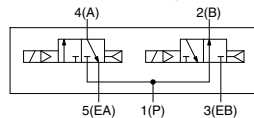
4-position dual 3-port valve N.C. valve x 2 pcs.



N.O. valve x 2 pcs.



N.C. valve, N.O. valve x 1 pc. of each



Component Parts

No.	Description	Material
1	Body	Aluminum die-casted
2	Spool valve	Aluminum/HNBR (4-position solenoid valve: Resin/HNBR)
3	Piston	Resin
4	Pilot valve assembly	—

JSY3000/5000 Series

Valve Replacement Parts: Pilot Valve

How to Order Pilot Valves (With a gasket and two mounting screws)^{*3}

V112 - 5 A

Coil type

Nil	Standard
T	With power-saving circuit (Made to Order)

Rated voltage

5	24 VDC
---	--------

⚠ Caution

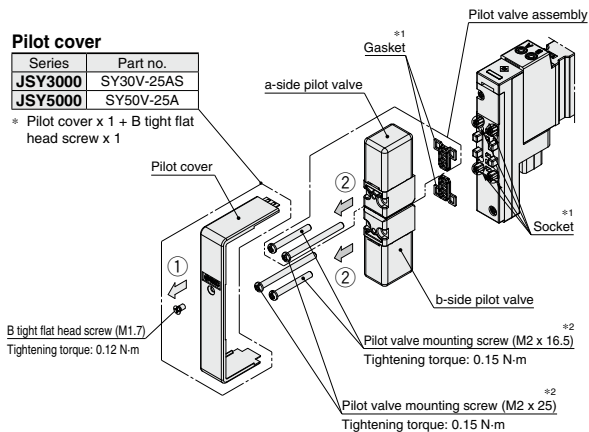
1. The coil specification and voltage (including light/surge voltage suppressor) cannot be changed by changing the pilot valve assembly.
2. When selecting the standard coil type, it is not possible to change to the power-saving circuit type.
3. Replacement pilot valve for the JSY3000/5000

How to replace pilot valves

Pilot cover

Series	Part no.
JSY3000	SY30V-25AS
JSY5000	SY50V-25A

* Pilot cover x 1 + B tight flat head screw x 1



- Loosen B tight flat head screw to remove the pilot cover in the direction indicated by the arrow ①.
- Remove the pilot valve mounting screws.
- Remove the pilot valve in the direction indicated by the arrow ②.

* Assemble by following the removal procedure in reverse.

*1 Ensure the gasket is mounted, and take care not to bend the socket.

*2 Be noted for mounting that there are two types of lengths for the pilot valve mounting screws.

*3 **The pilot valve of the JSY1000 cannot be removed. This is irreplaceable.**

JSY1000/3000/5000 Series Type 10

Plug-in Connector Connecting Base

Manifold Specifications

Model		D-sub connector			Flat ribbon cable							
		F type	FW type*1	FC type*2	P type	PG type	PH type	PC type*2	PGC type*2	PHC type*2		
Manifold type		Plug-in connector connecting base										
SUP/EXH port type		Common SUP/EXH (Common for the 3/5 port)										
Valve stations		2 to 24 stations			2 to 18 stations		2 to 8 stations		2 to 24 stations		2 to 18 stations	
Applicable connector		D-sub connector conforming to MIL-C-24308 (Refer to page 60.)	Dedicated connector (Refer to page 60.)	D-sub connector conforming to MIL-C-24308 (Refer to page 60.)	Flat ribbon cable connector conforming to MIL-C-83503 (Refer to page 62.)							
					Socket: 26 pins MIL type	Socket: 20 pins MIL type	Socket: 10 pins MIL type	Socket: 26 pins MIL type	Socket: 20 pins MIL type	Socket: 10 pins MIL type		
Internal wiring		Positive common, Negative common										
Port size	1(P), 3/5(E) port	JSY1000	ø8 One-touch fitting									
		JSY3000	ø10 One-touch fitting									
		JSY5000	ø12 One-touch fitting									
	4(A), 2(B) port	JSY1000	ø2 One-touch fitting, ø4 One-touch fitting, ø6 One-touch fitting									
		JSY3000	ø6 One-touch fitting, ø8 One-touch fitting									
		JSY5000	ø10 One-touch fitting, ø12 One-touch fitting									
Enclosure (Based on IEC 60529)		JSY1000	IP40	—	IP20	IP40				IP20		
		JSY3000		IP67								
		JSY5000		—								

*1 The FW type is not available for the JSY1000. Protection class for the JSY1000 is IP20 or IP40.

*2 The FC, PC, PGC, and PHC types are not available for the JSY5000.

Manifold Weight

Model		① Per station	② Wiring								
			D-sub connector			Flat ribbon cable					
			F type	FW type*2	FC type*3	P type	PG type	PH type	PC type*3	PGC type*3	PHC type*3
JJSY1000	for ø4	21.3	308	—	233	306	304	298	233	231	225
	for ø6	26.9	319	—	244	317	315	309	244	242	236
JJSY3000 for ø8		42.7	332	330	287	330	328	322	257	255	249
JJSY5000 for ø12		104	509	507	—	507	505	499	—	—	—

Formula for manifold weight*1

$$W = ① \times n1 + ② \quad (n1: \text{stations})$$

JJSY3000 series, D-sub connector, F type, 5 stations: $(42.7 \times 5) + 332 = 545.5$ (g)

Manifold Flow Rate Characteristics

Model	Port size		Valve flow rate characteristics			
	1, 3/5 (P, E)	4, 2 (A, B)	1 → 4/2 (P → A/B)		4/2 → 3/5 (A/B → E)	
			C [dm ³ /(s·bar)]	b	C [dm ³ /(s·bar)]	b
JJSY1-10 (Side ported)	C8	C4	0.63	0.46	0.87	0.47
		C6	0.96	0.30	0.91	0.48
JJSY3-10 (Side ported)	C10	C8	2.23	0.30	2.77	0.27
JJSY5-10 (Side ported)	C12	C12	6.40	0.22	6.59	0.22

* Calculation of effective area S and sonic conductance C: $S = 5.0 \times C$

* Values measured in accordance with ISO 6358:1989, JIS B 8390:2000



Terminal block box		Lead wire		Serial wiring				
T type	TC type	L type	S6□ type (EX600)	SA□ type (EX245)	S□ type (EX250)	S□ type (EX260)	S3□ type (EX120)	
Plug-in connector connecting base								
Common SUP/EXH (Common for the 3/5 port)								
2 to 20 stations		2 to 24 stations				2 to 16 stations		
—								
Positive common, Negative common				Negative common	Positive common, Negative common			
ø8 One-touch fitting								
ø10 One-touch fitting								
ø12 One-touch fitting								
ø2 One-touch fitting, ø4 One-touch fitting, ø6 One-touch fitting								
ø6 One-touch fitting, ø8 One-touch fitting								
ø10 One-touch fitting, ø12 One-touch fitting								
IP40							IP20	
IP67		IP67 (I/O unit: partially IP40)		IP65	IP67	IP67 D-sub communication connector: IP40)		

Unit: g

② Wiring									
Terminal block box		Lead wire			Serial wiring				
T type	TC type	L type (0.6 m)	L type (1.5 m)	L type (3 m)	S6□ type (EX600)*4	SA□ type (EX245)*4	S□ type (EX250)*4	S□ type (EX260)	S3□ type (EX120)
680	471	404	514	698	829	—	520	448	367
689	480	413	523	707	838	—	529	457	367
709	500	433	543	727	858	935	549	477	391
914	705	638	748	932	1063	1100	754	682	568

*1 Weight: "W" is the value for the internal pilot specification, the max. fitting size, and the manifold only. The valve weight is not included. To obtain the weight with valves attached, add the valve weight given on page 35 for the appropriate number of stations.

*2 The FW type is not available for the JSY1000.

*3 The FC, PC, PGC, and PHC types are not available for the JSY5000.

*4 The serial unit weight is included, but the I/O unit weight is not included. Add the weight of the I/O unit for calculation.

ZK2 Combination Manifold Weight

Single Unit

Single unit model	Weight [g]
ZK2 (1 station for manifold, Without pressure sensor/switch)	99

Pressure Sensor/Pressure Switch for Vacuum

Pressure sensor/Pressure switch for vacuum model	Weight [g]
ZK2-PS□-A (Excludes the cable portion weight)	5
ZK2-ZS□-A (Excludes the lead wire with connector weight)	14

Formula for ZK2 combination manifold weight

$Wz = ① \times n1 + ② + 3 \times n2 + ③$ (n1: JSY3000 stations, n2: ZK2 stations)

JSY3000 P, E port entry	③
D side	158
U side	275
B side	292

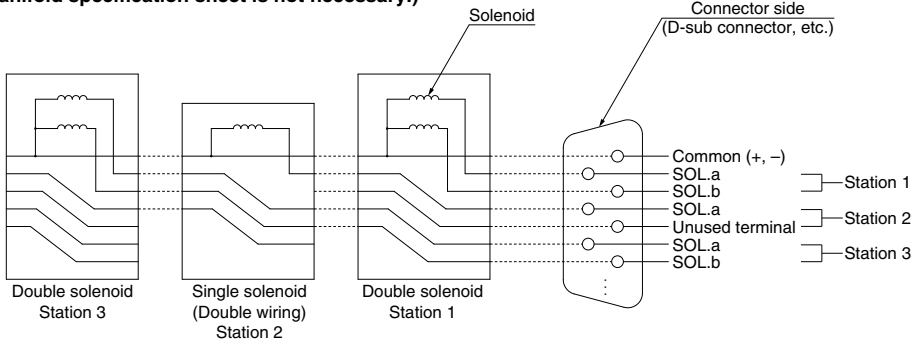
The weight "Wz" is the value for the internal pilot specification, the max. fitting size, and the manifold only. To obtain the weight with valves and ejectors mounted, add the valve weight and the weight of the ejector, pressure sensor, and pressure switch for vacuum above, respectively, for the appropriate number of stations.

JSY1000/3000/5000 Series

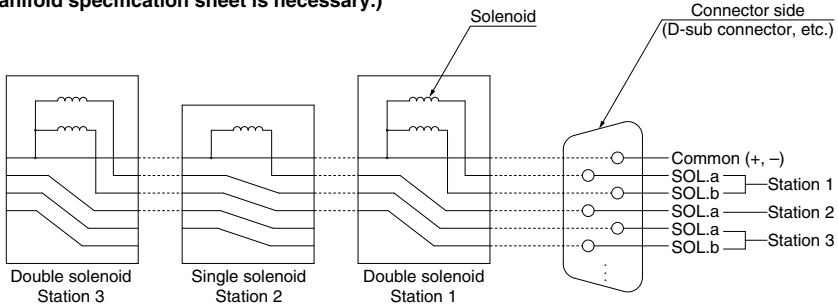
Connector Wiring Layout

For both serial and parallel wiring, additional valves are sequentially assigned pins on the connector. This makes it completely unnecessary to disassemble the connector unit.

■ Single solenoid valve is installed to all double wiring. (in the case of all double wiring) (Manifold specification sheet is not necessary.)



■ Single/double wiring are mixed. (Manifold specification sheet is necessary.)



* These diagrams are for the purpose of explanation, and differ from the actual connector wiring.

Plug-in Connector Connecting Base

D-sub Connector Flat Ribbon Cable

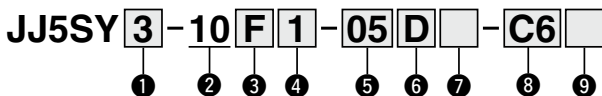
Type 10
Side Ported

JSY1000/3000/5000 Series



Internal Pilot

How to Order Manifolds



Made to Order
(Refer to page 156 for details.)

Specification
External pilot (SUP/EXH block assembly)

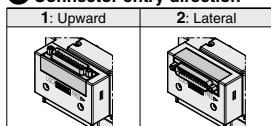
1 Series

1	JSY1000
3	JSY3000
5	JSY5000

2 Type

10	Side ported
----	-------------

4 Connector entry direction



* The connector entry direction for connector types "FW", "FC" and "P□C" cannot be rotated. If it is necessary to change, order connector block assembly and SUP/EXH block assembly (pages 124 and 125) separately.

6 P, E port entry

U	U side (2 to 10 stations)
D	D side (2 to 10 stations)
B	Both sides (2 to 24 stations)

7 SUP/EXH block assembly

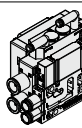
Nil	Internal pilot
S	Internal pilot, Built-in silencer

* The 3/5(E) port is plugged for the built-in silencer type.

* The external pilot specification should be ordered as Made to Order. For details, refer to page 156.

8 A, B port size (Metric/One-touch fitting)

Symbol	A, B port	JSY1000	JSY3000	JSY5000	
C2	Straight	ø2	●	—	
C4		ø4	●	—	
C6		ø6	●	●	
C8		ø8	●	●	
C10		ø10	—	—	●
C12		ø12	—	—	●
CM*1	Straight port, mixed sizes	●	●	●	
P, E port size (One-touch fittings)		ø8	ø10	ø12	



*1 Indicate the sizes on the manifold specification sheet in the case of "CM."
* The JSY1000 manifold pitch for C2 and C4 is 6.5 mm, and 9 mm for C6. When CM is selected, the manifold pitch is different depending on the selected fitting.

9 Mounting and Option

Symbol	Mounting
Nil	Direct mounting
D□	DIN rail mounting

DIN Rail Option

Nil	DIN rail mounting (With DIN rail)
0	DIN rail mounting (Without DIN rail)
3	For 3 stations Specify a length longer than that of the standard rail.
⋮	
24	For 24 stations

* Enter the number of stations inside □ when it is larger than the number of valve stations. (Refer to "DIN Rail Option" shown on the left.)

* Refer to page 160 for details on securing the DIN rail mounting type manifold.

3 Connector type

F: D-sub connector Connector entry direction adjustable <IP40> (25 pins)	FW: D-sub connector*1 <IP67> (25 pins)	FC: D-sub connector*2 Compact type <IP20> (25 pins)
P: Flat ribbon cable Connector entry direction adjustable <IP40> (26 pins)	PG: Flat ribbon cable Connector entry direction adjustable <IP40> (20 pins)	PH: Flat ribbon cable Connector entry direction adjustable <IP40> (10 pins)
PC: Flat ribbon cable*2 Compact type <IP20> (26 pins)	PGC: Flat ribbon cable*2 Compact type <IP20> (20 pins)	PHC: Flat ribbon cable*2 Compact type <IP20> (10 pins)

*1 FW is not available for the JSY1000.

*2 Compact type is not available for the JSY5000.

5 Valve stations

FW/FC: D-sub connector (25 pins)		P/PC: Flat ribbon cable (26 pins)	
Symbol	Stations	Symbol	Stations
02	2 stations	02	2 stations
⋮		⋮	
12	12 stations	12	12 stations
02	2 stations	02	2 stations
⋮		⋮	
24	24 stations	24	24 stations
Note		Note	
Double wiring*1		Double wiring*1	
Specified layout*2 (Up to 24 solenoids available)		Specified layout*2 (Up to 24 solenoids available)	

PG/PGC: Flat ribbon cable (20 pins)		PH/PHC: Flat ribbon cable (10 pins)	
Symbol	Stations	Symbol	Stations
02	2 stations	02	2 stations
⋮		⋮	
09	9 stations	04	4 stations
02	2 stations	02	2 stations
⋮		⋮	
18	18 stations	08	8 stations
Note		Note	
Double wiring*1		Double wiring*1	
Specified layout*2 (Up to 18 solenoids available)		Specified layout*2 (Up to 8 solenoids available)	

*1 Double wiring: 2-position single, double, 3-position, and 4-position valves can be used on all manifold stations.

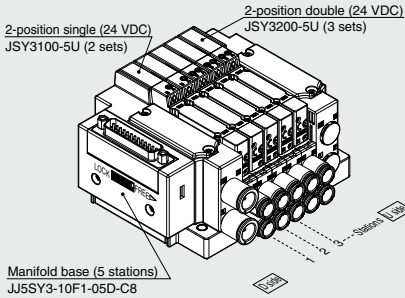
The use of a 2-position single solenoid will result in an unused control signal. If this is not desired, order with a specified layout.

*2 Specified layout: Indicate the wiring specifications on the manifold specification sheet. (Note that 2-position double, 3-position, and 4-position valves cannot be used where single wiring has been specified.)

* This also includes the number of blanking plates.

How to Order Manifold Assembly

Example (JJ5SY3-10F1-□)



JJ5SY3-10F1-05D-C8 ... 1 set (Type 10 5-station manifold base part no.)
 * JSY3100-5U 2 sets (2-position single part no.)
 * JSY3200-5U 3 sets (2-position double part no.)
 * The asterisk denotes the symbol for the assembly. Prefix it to the part numbers of the valve, etc.

- For the valve arrangement, the valve closest to the D side is considered the 1st station.
- Under the manifold part number, state the valves to be mounted in order starting with the 1st station as shown in the figure. If the arrangement becomes too complicated, specify the details on a manifold specification sheet.

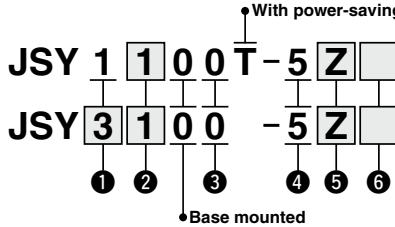
Internal Pilot

How to Order Valves (With mounting screw)

Refer to page 34 for valve specifications.

JSY1000 Series

JSY3000/5000 Series



Made to Order
 Made to Order
 (Refer to page 156 for details.)

Specification	
With power-saving circuit (Continuous duty type): 0.1 W (JSY3000/5000)	
External pilot	

1 Series

1	JSY1000
3	JSY3000
5	JSY5000

3 Pilot valve exhaust method

0	Pilot valve individual exhaust
---	--------------------------------

4 Rated voltage

5	24 VDC
---	--------

2 Type of actuation

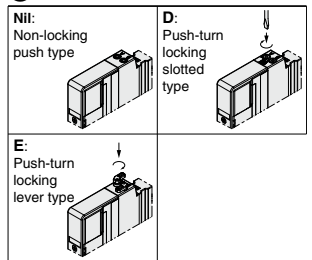
1	Single
2	2-position Double
3	Closed center
4	3-position Exhaust center
5	Pressure center
A	4-position N.C./N.C.
B	dual 3-port N.O./N.O.
C	N.C./N.O.

5 Light/surge voltage suppressor and common specification

Symbol	With light	Surge voltage suppressor	Common specification
U			Non-polar
Z	●	●	Positive common
NZ			Negative common

- * Only "Z" and "NZ" types are available for the JSY1000 series.
- * When the non-polar common specification type is selected, take measures to prevent surge voltage. For details, refer to page 159.

6 Manual override

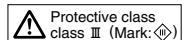


* Push-turn locking lever type "E" is not available for the JSY1000.

* **When ordering a valve individually, the base gasket is not included.**
 Since the base gasket is attached to the manifold, please order the base gasket separately if it is needed for maintenance. Refer to page 137 for base gasket and mounting screw part numbers.

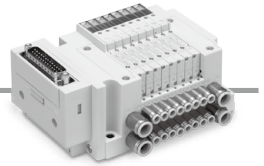
⚠ Caution

If the JSY3000/5000 series is to be continuously energized, please be sure to select the power-saving circuit (continuous duty type) specification. Refer to "Made to Order" on page 156.
 For the JSY1000 series, only the power-saving circuit specification is available.



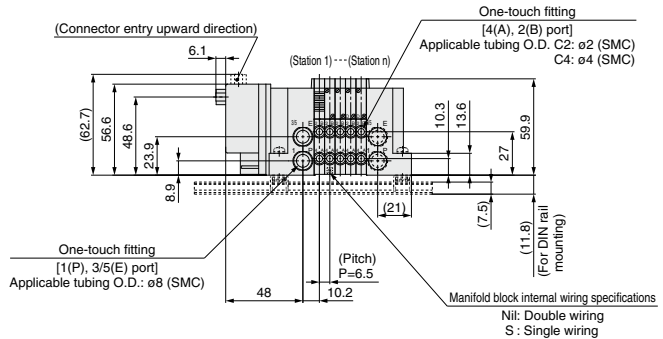
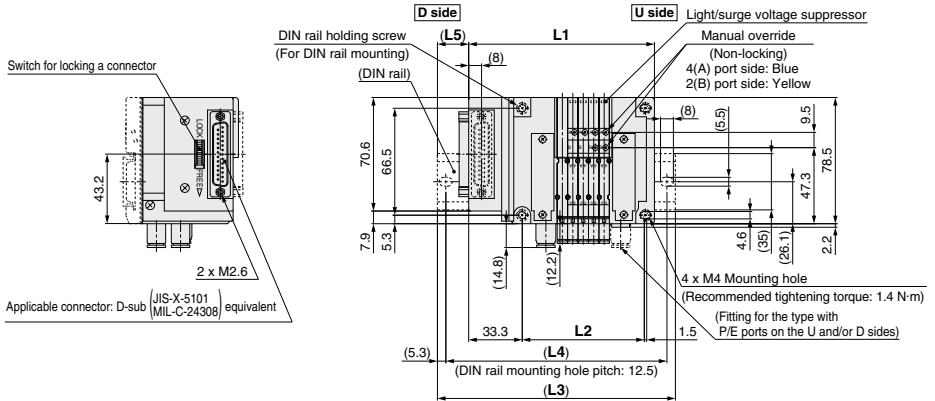
JSY1000/3000/5000 Series

Type 10/Side Ported (Applicable to ø2 and ø4 fittings)
D-sub Connector (IP40/Connector Entry Direction Adjustable)



Dimensions: JSY1000 Series

JJ5SY1-10F₁-(Stations) $\frac{D}{B}$ -C₂-(D)



- * These figures show the "JJ5SY1-10F2-05D-C4."
- * Refer to page 118 for dimensions of external pilot (Made to Order) and silencer.
- * When CM is selected for mixed A, B port size and C6 (9 mm pitch) is included, refer to page 121 for dimensions.

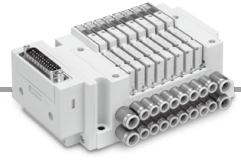
L: Dimensions

n: Stations

L \ n	2	3	4	5	6	7	8	9	10	11	12	13	14	15	16
L1	96	102.5	109	115.5	122	128.5	135	141.5	148	154.5	161	167.5	174	180.5	187
L2	56.4	62.9	69.4	75.9	82.4	88.9	95.4	101.9	108.4	114.9	121.4	127.9	134.4	140.9	147.4
L3	135.5	135.5	148	148	160.5	160.5	173	173	185.5	185.5	198	198	210.5	210.5	223
L4	125	125	137.5	137.5	150	150	162.5	162.5	175	175	187.5	187.5	200	200	212.5
L5	23	19.5	22.5	19.5	22.5	19	22	19	22	18.5	21.5	18.5	21.5	18	21

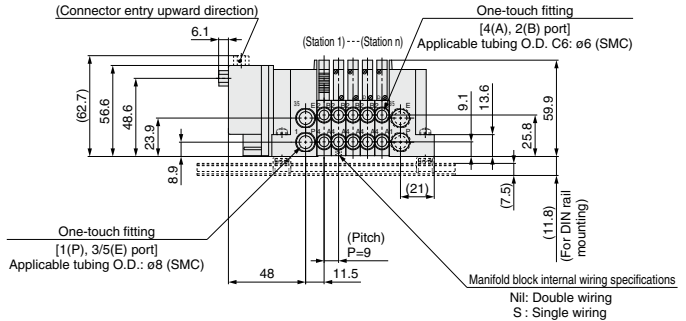
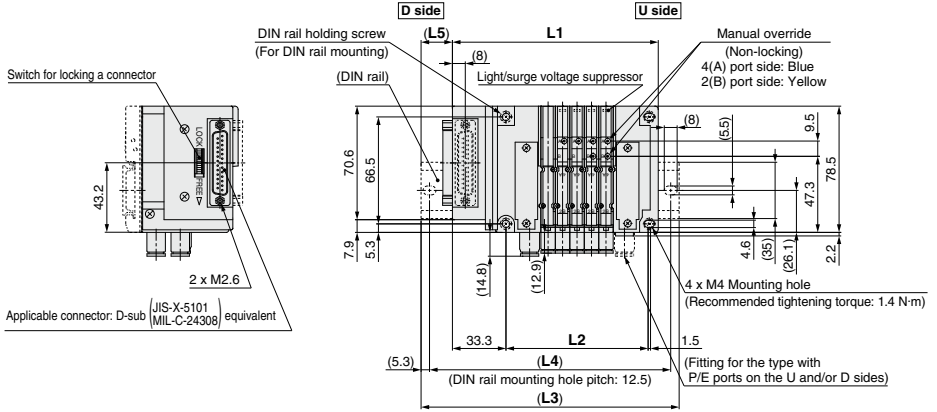
L \ n	17	18	19	20	21	22	23	24
L1	193.5	200	206.5	213	219.5	226	232.5	239
L2	153.9	160.4	166.9	173.4	179.9	186.4	192.9	199.4
L3	223	235.5	248	248	260.5	260.5	273	273
L4	212.5	225	237.5	237.5	250	250	262.5	262.5
L5	18	21	24	20.5	23.5	20.5	23.5	20

Type 10/Side Ported (Applicable to ø6 fittings)
D-sub Connector (IP40/Connector Entry Direction Adjustable)



Dimensions: JSY1000 Series

JJ5SY1-10F₂-_B Stations C6(D)



- * These figures show the "JJ5SY1-10F2-05D-C6."
- * Refer to page 118 for dimensions of external pilot (Made to Order) and silencer.
- * When CM is selected for mixed A, B port size, refer to page 121 for dimensions.

L: Dimensions

n: Stations

L \ n	2	3	4	5	6	7	8	9	10	11	12	13	14	15	16
L1	101	110	119	128	137	146	155	164	173	182	191	200	209	218	227
L2	61.4	70.4	79.4	88.4	97.4	106.4	115.4	124.4	133.4	142.4	151.4	160.4	169.4	178.4	187.4
L3	135.5	148	160.5	160.5	173	185.5	185.5	198	210.5	223	223	235.5	248	248	260.5
L4	125	137.5	150	150	162.5	175	175	187.5	200	212.5	212.5	225	237.5	237.5	250
L5	20.5	22	24	19.5	21	23	18.5	20	22	23.5	19	21	22.5	18	20

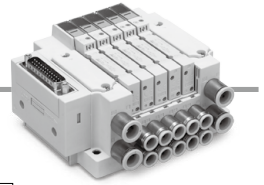
L \ n	17	18	19	20	21	22	23	24
L1	236	245	254	263	272	281	290	299
L2	196.4	205.4	214.4	223.4	232.4	241.4	250.4	259.4
L3	273	285.5	285.5	298	310.5	310.5	323	335.5
L4	262.5	275	275	287.5	300	300	312.5	325
L5	21.5	23.5	19	20.5	22.5	18	19.5	21.5

JSY1000/3000/5000 Series

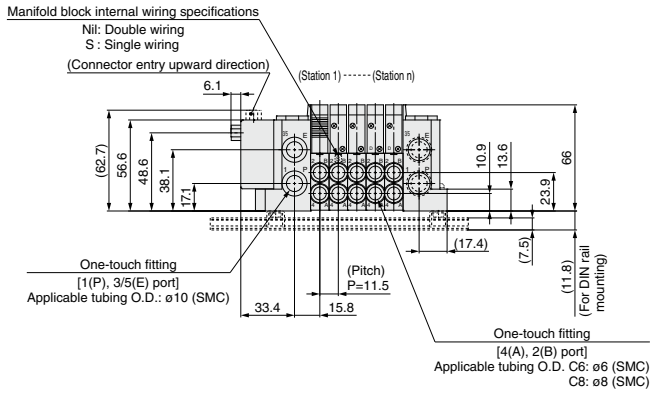
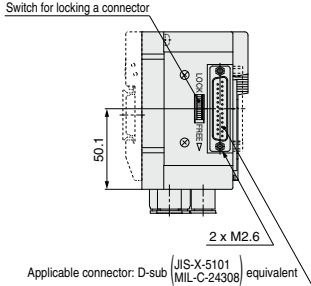
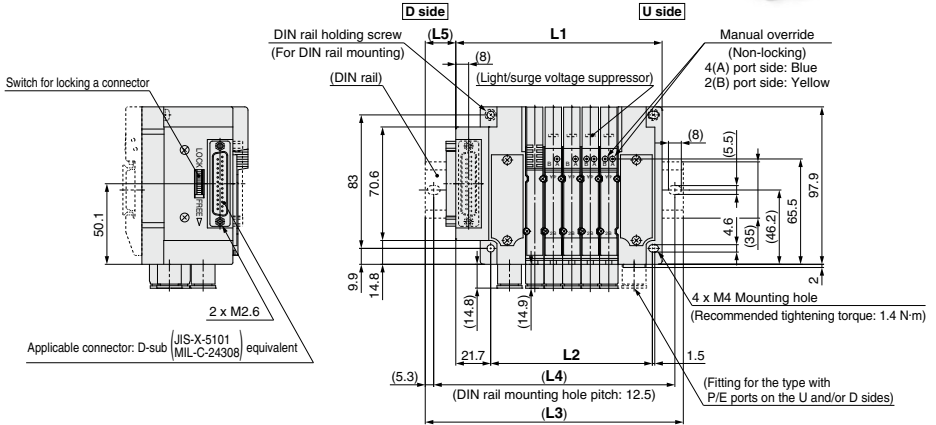
Type 10/Side Ported

Dimensions: JSY3000 Series

D-sub Connector (IP40/Connector Entry Direction Adjustable)



JJ5SY3-10F₂-[Stations] $\frac{D}{B}$ -C₆-C₈(D)



* These figures show the "JJ5SY3-10F2-05D-C8."
 * Refer to page 119 for dimensions of external pilot (Made to Order) and silencer.

L: Dimensions

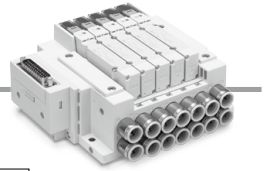
n: Stations

L \ n	2	3	4	5	6	7	8	9	10	11	12	13	14	15	16
L1	93.8	105.3	116.8	128.3	139.8	151.3	162.8	174.3	185.8	197.3	208.8	220.3	231.8	243.3	254.8
L2	66.1	77.6	89.1	100.6	112.1	123.6	135.1	146.6	158.1	169.6	181.1	192.6	204.1	215.6	227.1
L3	123	135.5	148	160.5	173	185.5	198	210.5	223	235.5	248	260.5	273	273	285.5
L4	112.5	125	137.5	150	162.5	175	187.5	200	212.5	225	237.5	250	262.5	262.5	275
L5	17.5	18	18.5	19	19.5	20	20.5	21	21.5	22	22.5	23	23.5	18	18.5

L \ n	17	18	19	20	21	22	23	24
L1	266.3	277.8	289.3	300.8	312.3	323.8	335.3	346.8
L2	238.6	250.1	261.6	273.1	284.6	296.1	307.6	319.1
L3	298	310.5	323	335.5	348	360.5	373	385.5
L4	287.5	300	312.5	325	337.5	350	362.5	375
L5	19	19.5	20	20.5	21	21.5	22	22.5

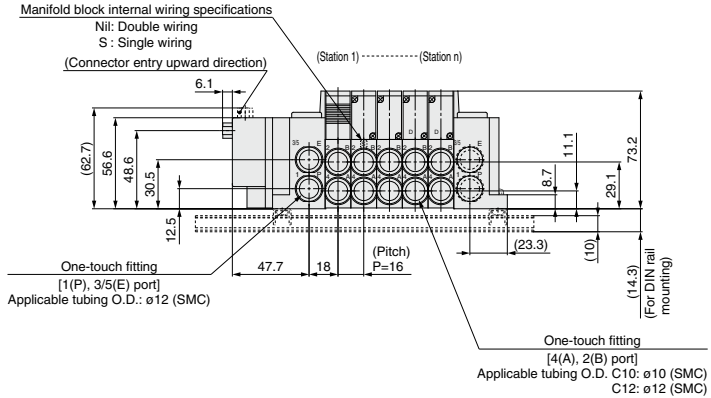
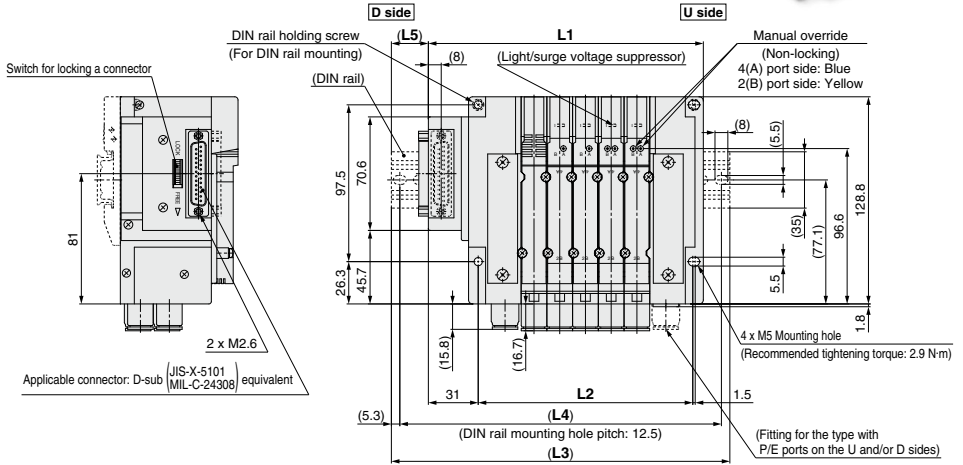
Type 10/Side Ported

D-sub Connector (IP40/Connector Entry Direction Adjustable)



Dimensions: JSY5000 Series

JJ5SY5-10F₂-1 (Stations) $\frac{U}{D}$ - C12 (D)



* These figures show the "JJ5SY5-10F2-05D-C12."
 * Refer to page 120 for dimensions of external pilot (Made to Order) and silencer.

L: Dimensions

n: Stations

L \ n	2	3	4	5	6	7	8	9	10	11	12	13	14	15	16
L1	123	139	155	171	187	203	219	235	251	267	283	299	315	331	347
L2	85.5	101.5	117.5	133.5	149.5	165.5	181.5	197.5	213.5	229.5	245.5	261.5	277.5	293.5	309.5
L3	160.5	173	185.5	210.5	223	235.5	260.5	273	285.5	298	323	335.5	348	360.5	385.5
L4	150	162.5	175	200	212.5	225	250	262.5	275	287.5	312.5	325	337.5	350	375
L5	22	20	18.5	23	21	19.5	24	22	20.5	18.5	23	21.5	19.5	18	22.5

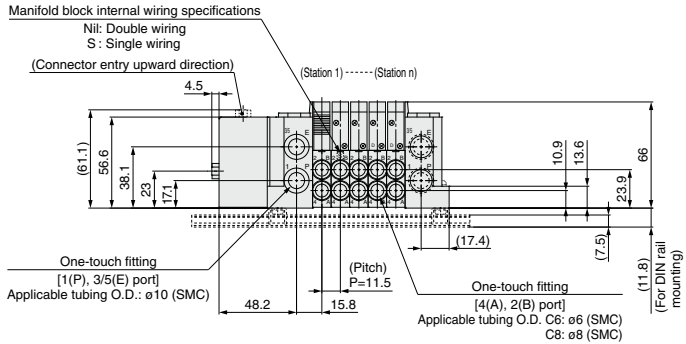
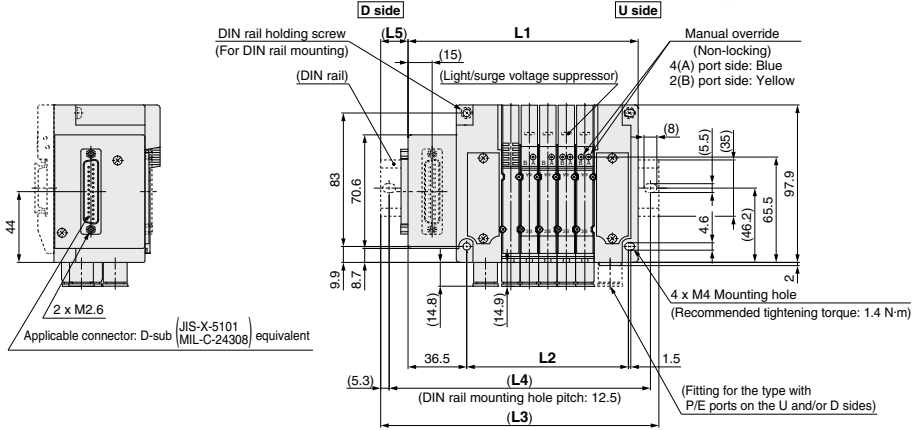
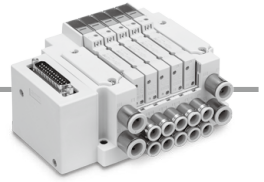
L \ n	17	18	19	20	21	22	23	24
L1	363	379	395	411	427	443	459	475
L2	325.5	341.5	357.5	373.5	389.5	405.5	421.5	437.5
L3	398	410.5	435.5	448	460.5	473	498	510.5
L4	387.5	400	425	437.5	450	462.5	487.5	500
L5	20.5	19	23.5	21.5	20	18	22.5	21

JSY1000/3000/5000 Series

Type 10/Side Ported
D-sub Connector (IP67)

Dimensions: JSY3000 Series

JJ5SY3-10FW $\frac{1}{2}$ - [Stations] $\frac{U}{B}$ - C8 (D)



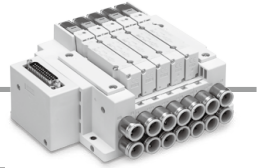
* These figures show the "JJ5SY3-10FW2-05D-C8."
* Refer to page 119 for dimensions of external pilot (Made to Order) and silencer.

L: Dimensions

L \ n	2	3	4	5	6	7	8	9	10	11	12	13	14	15	16
L1	108.6	120.1	131.6	143.1	154.6	166.1	177.6	189.1	200.6	212.1	223.6	235.1	246.6	258.1	269.6
L2	66.1	77.6	89.1	100.6	112.1	123.6	135.1	146.6	158.1	169.6	181.1	192.6	204.1	215.6	227.1
L3	148	148	160.5	173	185.5	198	210.5	223	235.5	248	260.5	273	285.5	298	298
L4	137.5	137.5	150	162.5	175	187.5	200	212.5	225	237.5	250	262.5	275	287.5	287.5
L5	22	16	16.5	17	17.5	18	18.5	19	19.5	20	20.5	21	21.5	22	16.5

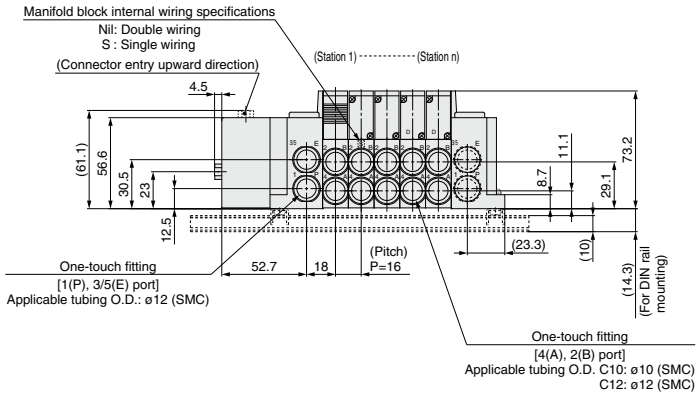
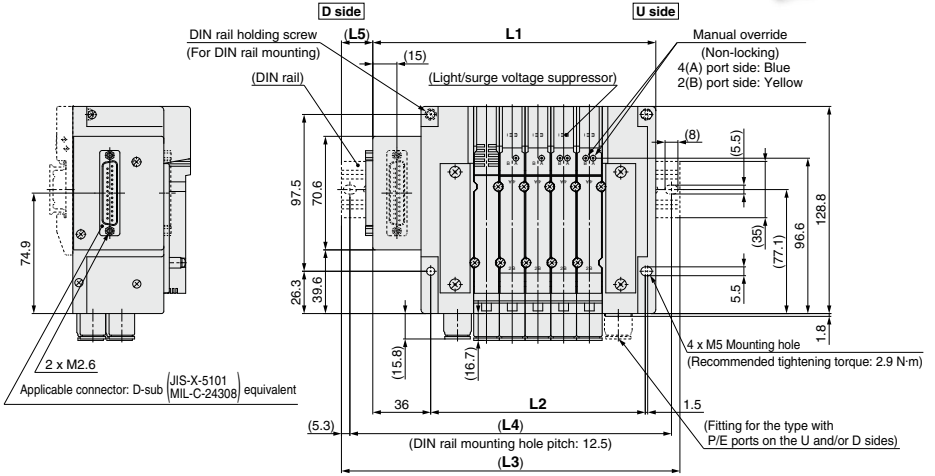
L \ n	17	18	19	20	21	22	23	24
L1	281.1	292.6	304.1	315.6	327.1	338.6	350.1	361.6
L2	238.6	250.1	261.6	273.1	284.6	296.1	307.6	319.1
L3	310.5	323	335.5	348	360.5	373	385.5	398
L4	300	312.5	325	337.5	350	362.5	375	387.5
L5	17	17.5	18	18.5	19	19.5	20	20.5

Type **10/Side Ported**
D-sub Connector (IP67)



Dimensions: JSY5000 Series

JJ5Y5-10FW $\frac{1}{2}$ - [Stations] $\frac{U}{D}$ C10 (D)



* These figures show the "JJ5Y5-10FW2-05D-C12."
 * Refer to page 120 for dimensions of external pilot (Made to Order) and silencer.

L: Dimensions

n: Stations

L \ n	2	3	4	5	6	7	8	9	10	11	12	13	14	15	16
L1	128	144	160	176	192	208	224	240	256	272	288	304	320	336	352
L2	85.5	101.5	117.5	133.5	149.5	165.5	181.5	197.5	213.5	229.5	245.5	261.5	277.5	293.5	309.5
L3	160.5	173	198	210.5	223	248	260.5	273	285.5	310.5	323	335.5	348	373	385.5
L4	150	162.5	187.5	200	212.5	237.5	250	262.5	275	300	312.5	325	337.5	362.5	375
L5	18.5	17	21.5	19.5	18	22.5	20.5	19	17	21.5	20	18	16.5	21	19

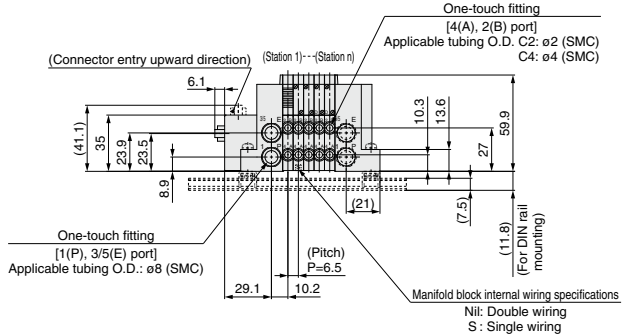
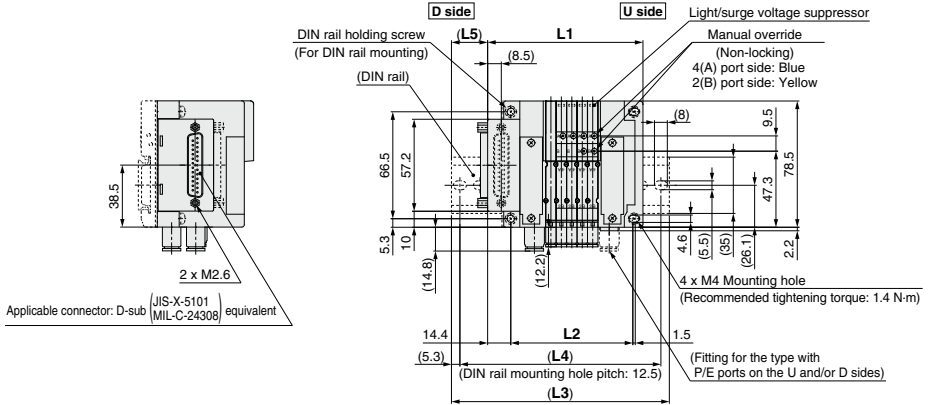
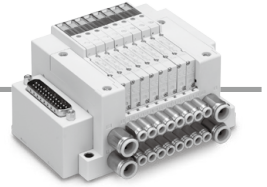
L \ n	17	18	19	20	21	22	23	24
L1	368	384	400	416	432	448	464	480
L2	325.5	341.5	357.5	373.5	389.5	405.5	421.5	437.5
L3	398	423	435.5	448	460.5	485.5	498	510.5
L4	387.5	412.5	425	437.5	450	475	487.5	500
L5	17.5	22	20	18.5	16.5	21	19.5	17.5

JSY1000/3000/5000 Series

Type 10/Side Ported (Applicable to $\phi 2$ and $\phi 4$ fittings)
D-sub Connector (IP20/Compact Type)

Dimensions: JSY1000 Series

JJ5SY1-10FC₂ - Stations $\frac{D}{B}$ - C₄(D)



- * These figures show the "JJ5SY1-10FC2-05D-C4."
- * Refer to page 118 for dimensions of external pilot (Made to Order) and silencer.
- * When CM is selected for mixed A, B port size and C6 (9 mm pitch) is included, refer to page 121 for dimensions.

L: Dimensions

n: Stations

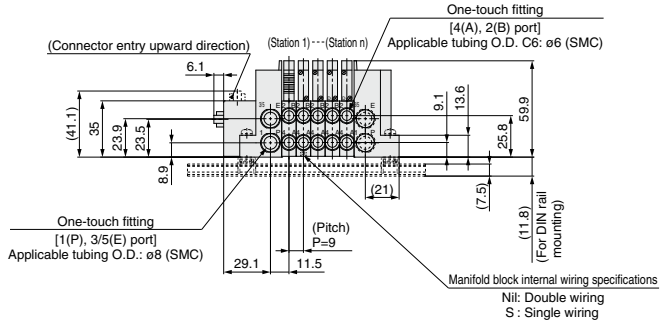
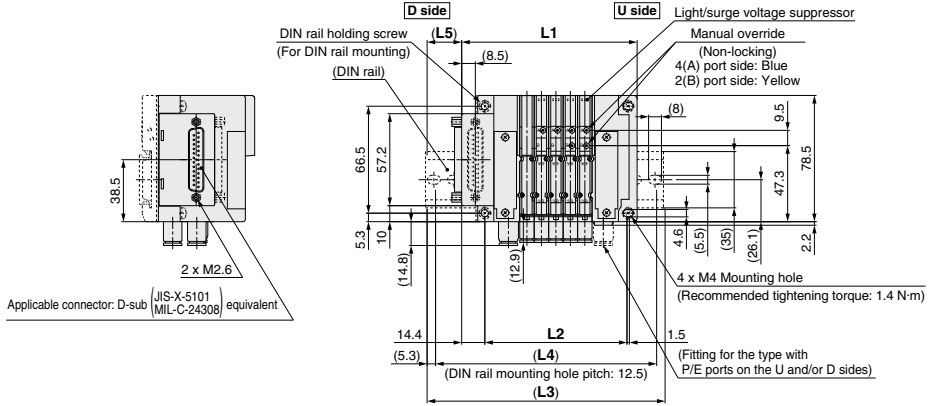
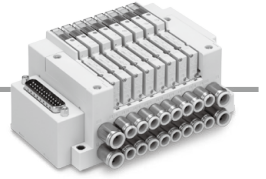
L \ n	2	3	4	5	6	7	8	9	10	11	12	13	14	15	16
L1	77.1	83.6	90.1	96.6	103.1	109.6	116.1	122.6	129.1	135.6	142.1	148.6	155.1	161.6	168.1
L2	56.4	62.9	69.4	75.9	82.4	88.9	95.4	101.9	108.4	114.9	121.4	127.9	134.4	140.9	147.4
L3	110.5	123	123	135.5	135.5	148	148	160.5	160.5	173	173	185.5	185.5	198	198
L4	100	112.5	112.5	125	125	137.5	137.5	150	150	162.5	162.5	175	175	187.5	187.5
L5	20	23	19.5	22.5	19.5	22.5	19	22	19	22	18.5	21.5	18.5	21.5	18

L \ n	17	18	19	20	21	22	23	24
L1	174.6	181.1	187.6	194.1	200.6	207.1	213.6	220.1
L2	153.9	160.4	166.9	173.4	179.9	186.4	192.9	199.4
L3	210.5	210.5	223	235.5	235.5	248	248	260.5
L4	200	200	212.5	225	225	237.5	237.5	250
L5	21	18	21	24	20.5	23.5	20.5	23.5

Type 10/Side Ported (Applicable to ø6 fittings)
D-sub Connector (IP20/Compact Type)

Dimensions: **JSY1000 Series**

JJ5SY1-10FC₂-[Stations]_B-C6(D)



- * These figures show the "JJ5SY1-10FC2-05D-C6."
- * Refer to page 118 for dimensions of external pilot (Made to Order) and silencer.
- * When CM is selected for mixed A, B port size, refer to page 121 for dimensions.

L: Dimensions

n: Stations

L \ n	2	3	4	5	6	7	8	9	10	11	12	13	14	15	16
L1	82.1	91.1	100.1	109.1	118.1	127.1	136.1	145.1	154.1	163.1	172.1	181.1	190.1	199.1	208.1
L2	61.4	70.4	79.4	88.4	97.4	106.4	115.4	124.4	133.4	142.4	151.4	160.4	169.4	178.4	187.4
L3	123	123	135.5	148	148	160.5	173	185.5	185.5	198	210.5	210.5	223	235.5	248
L4	112.5	112.5	125	137.5	137.5	150	162.5	175	175	187.5	200	200	212.5	225	237.5
L5	23.5	19	21	22.5	18	20	21.5	23.5	19	20.5	22.5	18	19.5	21.5	23

L \ n	17	18	19	20	21	22	23	24
L1	217.1	226.1	235.1	244.1	253.1	262.1	271.1	280.1
L2	196.4	205.4	214.4	223.4	232.4	241.4	250.4	259.4
L3	248	260.5	273	285.5	285.5	298	310.5	310.5
L4	237.5	250	262.5	275	275	287.5	300	300
L5	18.5	20.5	22	24	19.5	21	23	18.5

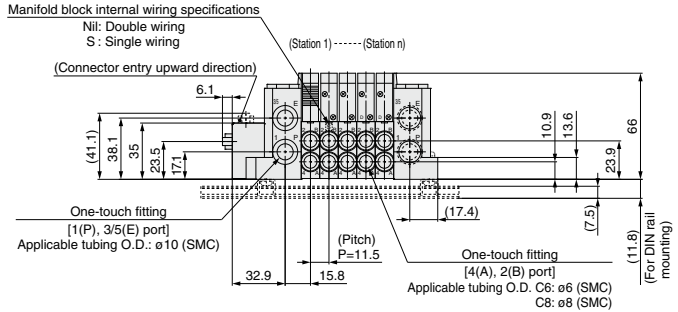
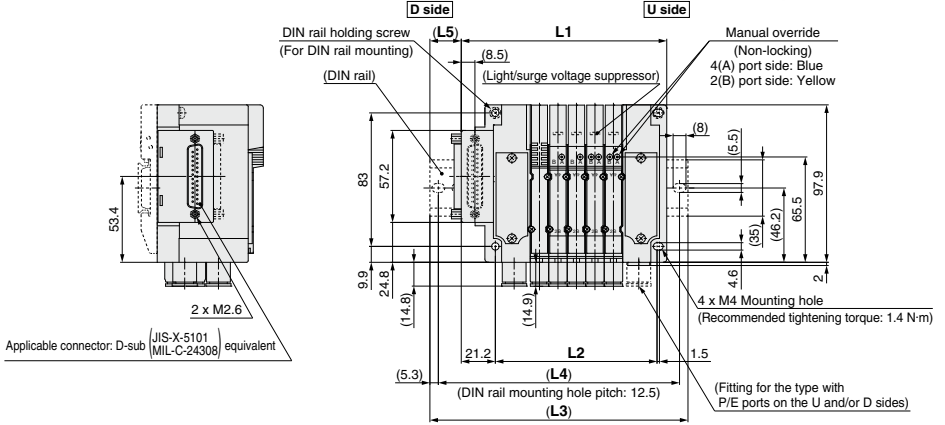
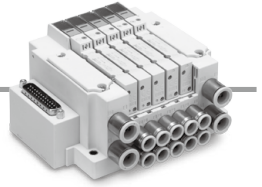
JSY1000/3000/5000 Series

Type 10/Side Ported

D-sub Connector (IP20/Compact Type)

Dimensions: JSY3000 Series

JJ5SY3-10FC₂-Stations_B^U-C₆^{C8}(D)



* These figures show the "JJ5SY3-10FC2-05D-C8."

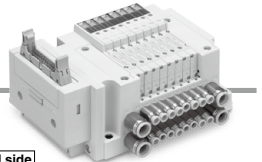
* Refer to page 119 for dimensions of external pilot (Made to Order) and silencer.

L: Dimensions

L \ n	2	3	4	5	6	7	8	9	10	11	12	13	14	15	16
L1	93.3	104.8	116.3	127.8	139.3	150.8	162.3	173.8	185.3	196.8	208.3	219.8	231.3	242.8	254.3
L2	66.1	77.6	89.1	100.6	112.1	123.6	135.1	146.6	158.1	169.6	181.1	192.6	204.1	215.6	227.1
L3	123	135.5	148	160.5	173	185.5	198	210.5	223	235.5	248	260.5	260.5	273	285.5
L4	112.5	125	137.5	150	162.5	175	187.5	200	212.5	225	237.5	250	250	262.5	275
L5	18	18.5	19	19.5	20	20.5	21	21.5	22	22.5	23	23.5	17.5	18	18.5

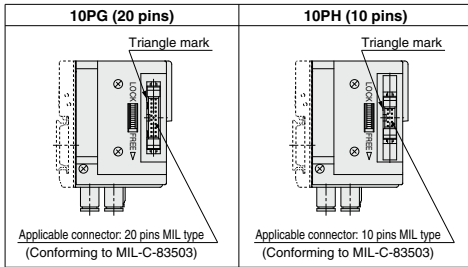
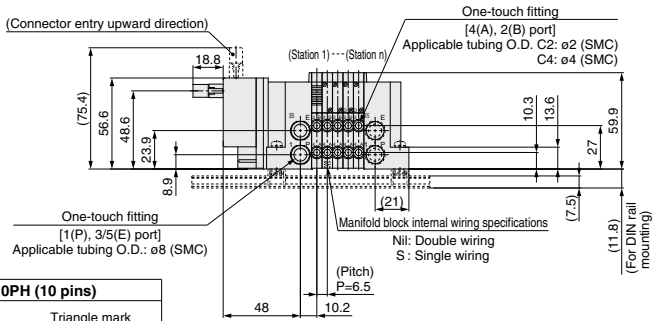
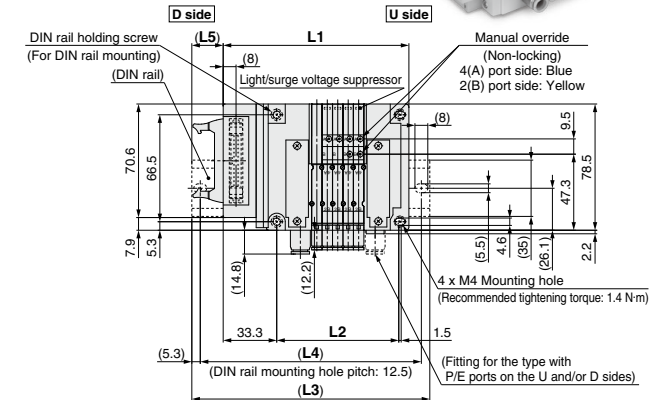
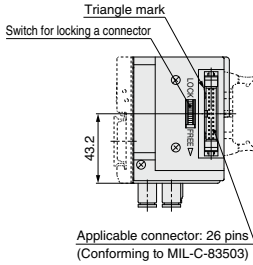
L \ n	17	18	19	20	21	22	23	24
L1	265.8	277.3	288.8	300.3	311.8	323.3	334.8	346.3
L2	238.6	250.1	261.6	273.1	284.6	296.1	307.6	319.1
L3	298	310.5	323	335.5	348	360.5	373	385.5
L4	287.5	300	312.5	325	337.5	350	362.5	375
L5	19	19.5	20	20.5	21	21.5	22	22.5

Type 10 Side Ported (Applicable to ø2 and ø4 fittings)
Flat Ribbon Cable (P40/Connector Entry Direction Adjustable)



Dimensions: **JSY1000 Series**

JJ5SY1-10 $\frac{P}{PH} \frac{1}{2}$ - Stations $\frac{U}{B} \frac{C}{C4}$ (D)



- * These figures show the "JJ5SY1-10P2-05D-C4."
- * Refer to page 118 for dimensions of external pilot (Made to Order) and silencer.
- * Only connectors are different for 10PG and 10PH. L1 to L5 dimensions are the same as 10P type.
- * When CM is selected for mixed A, B port size and C6 (9 mm pitch) is included, refer to page 121 for dimensions.

L: Dimensions

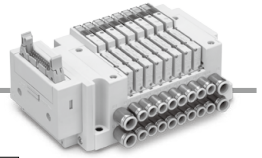
n: Stations

L \ n	2	3	4	5	6	7	8	9	10	11	12	13	14	15	16
L1	96	102.5	109	115.5	122	128.5	135	141.5	148	154.5	161	167.5	174	180.5	187
L2	56.4	62.9	69.4	75.9	82.4	88.9	95.4	101.9	108.4	114.9	121.4	127.9	134.4	140.9	147.4
L3	135.5	135.5	148	148	160.5	160.5	173	173	185.5	185.5	198	198	210.5	210.5	223
L4	125	125	137.5	137.5	150	150	162.5	162.5	175	175	187.5	187.5	200	200	212.5
L5	23	19.5	22.5	19.5	22.5	19	22	19	22	18.5	21.5	18.5	21.5	18	21

L \ n	17	18	19	20	21	22	23	24
L1	193.5	200	206.5	213	219.5	226	232.5	239
L2	153.9	160.4	166.9	173.4	179.9	186.4	192.9	199.4
L3	223	235.5	248	248	260.5	260.5	273	273
L4	212.5	225	237.5	237.5	250	250	262.5	262.5
L5	18	21	24	20.5	23.5	20.5	23.5	20

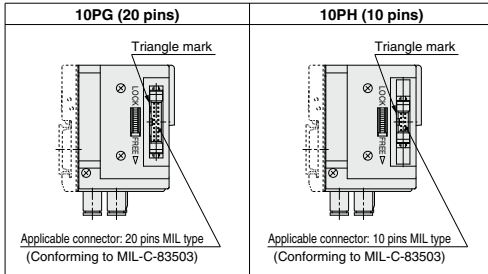
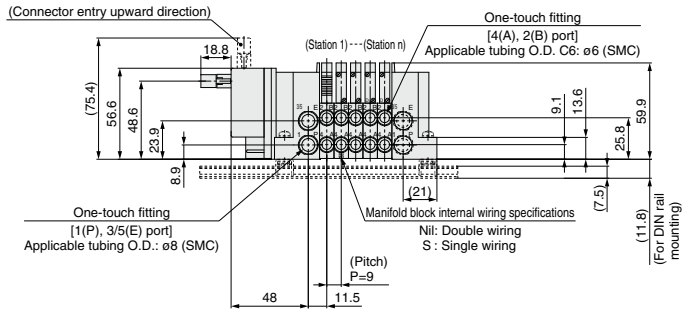
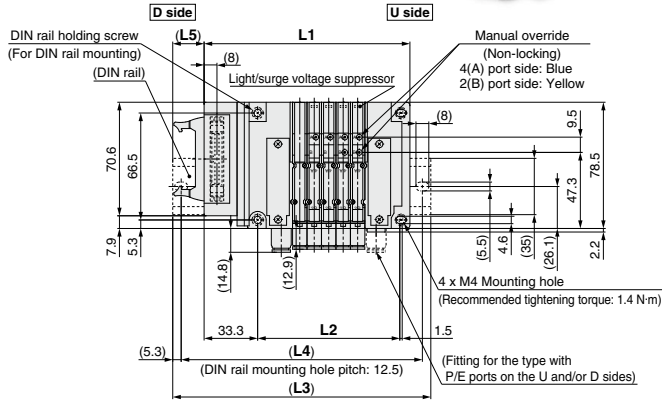
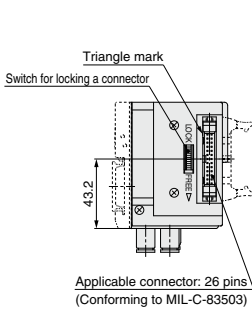
JSY1000/3000/5000 Series

Type 10/Side Ported (Applicable to ø6 fittings)
Flat Ribbon Cable (P40/Connector Entry Direction Adjustable)



Dimensions: JSY1000 Series

JJ5SY1-10 $\frac{P}{PH}$ $\frac{1}{2}$ - [Stations] $\frac{U}{B}$ - C6(D)

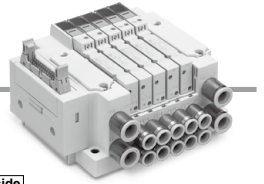


- * These figures show the "JJ5SY1-10P2-05D-C6."
- * Refer to page 118 for dimensions of external pilot (Made to Order) and silencer.
- * Only connectors are different for 10PG and 10PH. L1 to L5 dimensions are the same as 10P type.
- * When CM is selected for mixed A, B port size, refer to page 121 for dimensions.

L: Dimensions

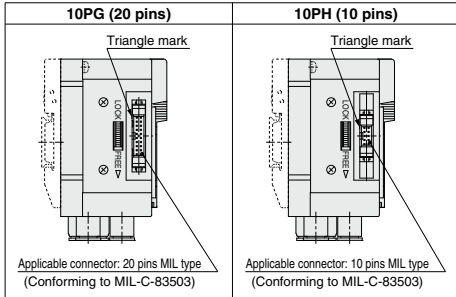
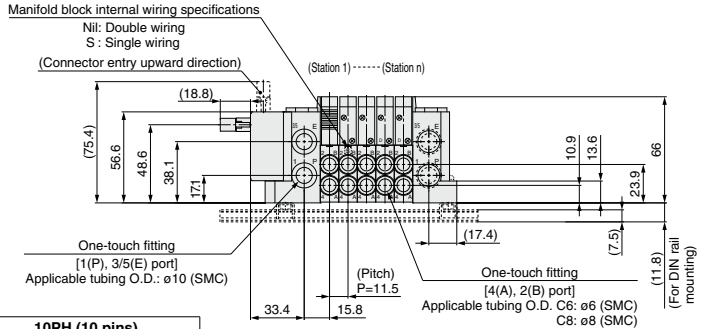
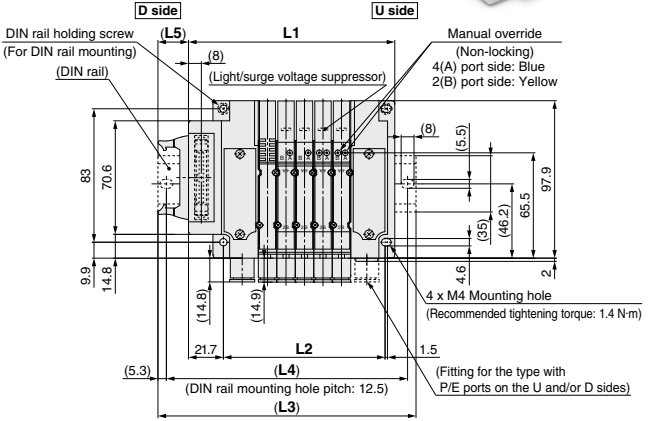
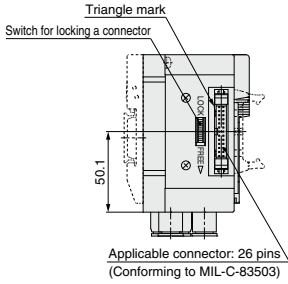
L	n	2	3	4	5	6	7	8	9	10	11	12	13	14	15	16	17	18	19	20	21	22	23	24
L1		101	110	119	128	137	146	155	164	173	182	191	200	209	218	227	236	245	254	263	272	281	290	299
L2		61.4	70.4	79.4	88.4	97.4	106.4	115.4	124.4	133.4	142.4	151.4	160.4	169.4	178.4	187.4	196.4	205.4	214.4	223.4	232.4	241.4	250.4	259.4
L3		135.5	148	160.5	160.5	173	185.5	185.5	198	210.5	223	223	235.5	248	248	260.5	273	285.5	285.5	298	310.5	310.5	323	335.5
L4		125	137.5	150	150	162.5	175	175	187.5	200	212.5	212.5	225	237.5	237.5	250	262.5	275	275	287.5	300	300	312.5	325
L5		20.5	22	24	19.5	21	23	18.5	20	22	23.5	19	21	22.5	18	20	21.5	23.5	19	20.5	22.5	18	19.5	21.5

Type 10/Side Ported
Flat Ribbon Cable (P40/Connector Entry Direction Adjustable)



Dimensions: **JSY3000 Series**

JJ5SY3-10 $\frac{P}{PH}$ $\frac{1}{2}$ - Stations $\frac{U}{D}$ - C6-C8 (D)



- * These figures show the "JJ5SY3-10P2-05D-C8."
- * Refer to page 119 for dimensions of external pilot (Made to Order) and silencer.
- * Only connectors are different for 10PG and 10PH. L1 to L5 dimensions are the same as 10P type.

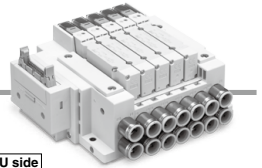
L: Dimensions

L	n: Stations																							
	2	3	4	5	6	7	8	9	10	11	12	13	14	15	16	17	18	19	20	21	22	23	24	
L1	93.8	105.3	116.8	128.3	139.8	151.3	162.8	174.3	185.8	197.3	208.8	220.3	231.8	243.3	254.8	266.3	277.8	289.3	300.8	312.3	323.8	335.3	346.8	
L2	66.1	77.6	89.1	100.6	112.1	123.6	135.1	146.6	158.1	169.6	181.1	192.6	204.1	215.6	227.1	238.6	250.1	261.6	273.1	284.6	296.1	307.6	319.1	
L3	123	135.5	148	160.5	173	185.5	198	210.5	223	235.5	248	260.5	273	285.5	298	310.5	323	335.5	348	360.5	373	385.5		
L4	112.5	125	137.5	150	162.5	175	187.5	200	212.5	225	237.5	250	262.5	275	287.5	300	312.5	325	337.5	350	362.5	375		
L5	17.5	18	18.5	19	19.5	20	20.5	21	21.5	22	22.5	23	23.5	24	24.5	25	25.5	26	26.5	27	27.5	28	28.5	

JSY1000/3000/5000 Series

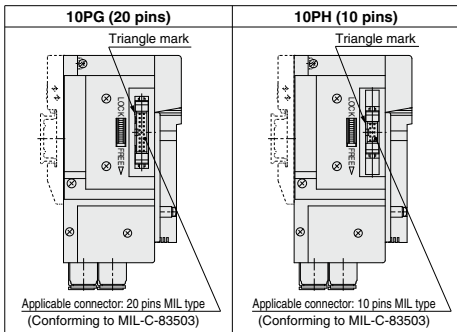
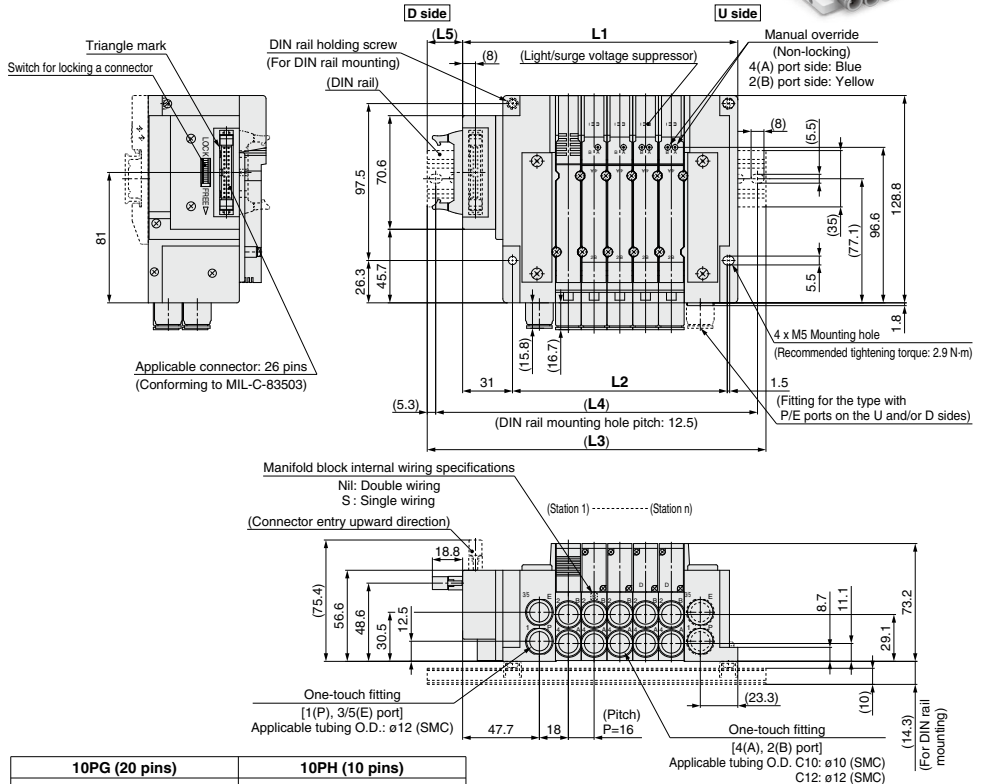
Type 10/Side Ported

Flat Ribbon Cable (IP40/Connector Entry Direction Adjustable)



Dimensions: **JSY5000 Series**

JJ5SY5-10 $\frac{P}{PH} \frac{1}{2}$ - Stations $\frac{U}{D}$ - C12 (D)



- * These figures show the "JJ5SY5-10P2-05D-C12."
- * Refer to page 120 for dimensions of external pilot (Made to Order) and silencer.
- * Only connectors are different for 10PG and 10PH. L1 to L5 dimensions are the same as 10P type.

L: Dimensions

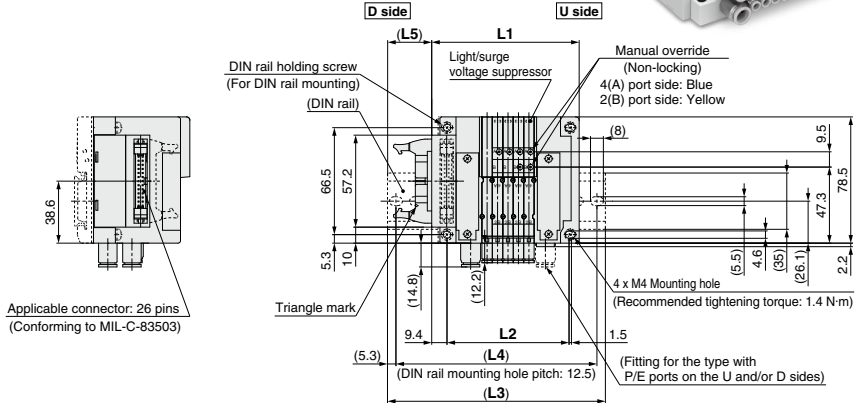
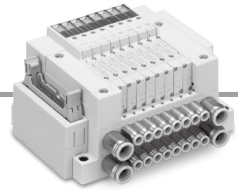
n	2	3	4	5	6	7	8	9	10	11	12	13	14	15	16	17	18	19	20	21	22	23	24
L1	123	139	155	171	187	203	219	235	251	267	283	299	315	331	347	363	379	395	411	427	443	459	475
L2	85.5	101.5	117.5	133.5	149.5	165.5	181.5	197.5	213.5	229.5	245.5	261.5	277.5	293.5	309.5	325.5	341.5	357.5	373.5	389.5	405.5	421.5	437.5
L3	160.5	173	185.5	210.5	223	235.5	260.5	273	285.5	298	323	335.5	348	360.5	385.5	398	410.5	435.5	448	460.5	473	498	510.5
L4	150	162.5	175	200	212.5	225	250	262.5	275	287.5	312.5	325	337.5	350	375	387.5	400	425	437.5	450	462.5	487.5	500
L5	22	20	18.5	23	21	19.5	24	22	20.5	18.5	23	21.5	19.5	18	22.5	20.5	19	23.5	21.5	20	18	22.5	21

Type 10/Side Ported (Applicable to ø2 and ø4 fittings)

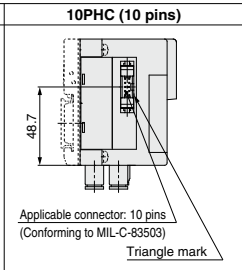
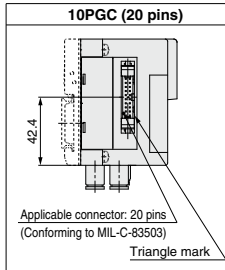
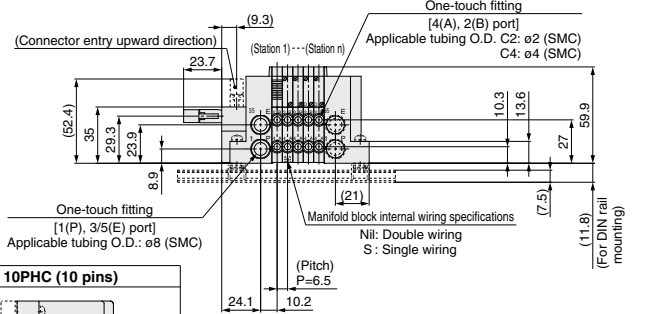
Flat Ribbon Cable (IP20/Compact Type)

Dimensions: JSY1000 Series

JJ5SY1-10 $\frac{P}{PH}$ C₁- $\frac{U}{B}$ Stations $\frac{D}{C_4}$ (D)



Applicable connector: 26 pins
(Conforming to MIL-C-83503)



- * These figures show the "JJ5SY1-10PC2-05D-C4."
- * Refer to page 118 for dimensions of external pilot (Made to Order) and silencer.
- * Only connectors are different for 10PGC and 10PHC. L1 to L5 dimensions are the same as 10PC type.
- * When CM is selected for mixed A, B port size and C6 (9 mm pitch) is included, refer to page 121 for dimensions.

L: Dimensions

n: Stations

L \ n	2	3	4	5	6	7	8	9	10	11	12	13	14	15	16
L1	72.1	78.6	85.1	91.6	98.1	104.6	111.1	117.6	124.1	130.6	137.1	143.6	150.1	156.6	163.1
L2	56.4	62.9	69.4	75.9	82.4	88.9	95.4	101.9	108.4	114.9	121.4	127.9	134.4	140.9	147.4
L3	110.5	123	123	135.5	135.5	148	148	160.5	160.5	173	173	185.5	185.5	198	198
L4	100	112.5	112.5	125	125	137.5	137.5	150	150	162.5	162.5	175	175	187.5	187.5
L5	25	28	24.5	27.5	24.5	27.5	24	27	24	27	23.5	26.5	23.5	26.5	23

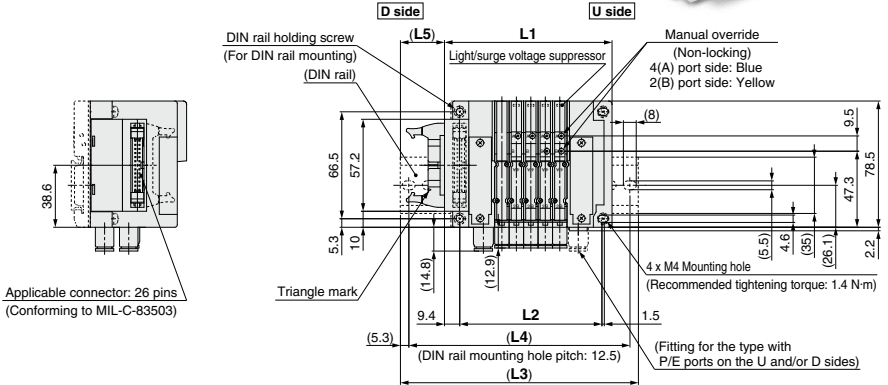
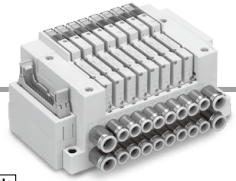
L \ n	17	18	19	20	21	22	23	24
L1	169.6	176.1	182.6	189.1	195.6	202.1	208.6	215.1
L2	153.9	160.4	166.9	173.4	179.9	186.4	192.9	199.4
L3	210.5	210.5	223	235.5	235.5	248	248	260.5
L4	200	200	212.5	225	225	237.5	237.5	250
L5	26	23	26	29	25.5	28.5	25.5	28.5

JSY1000/3000/5000 Series

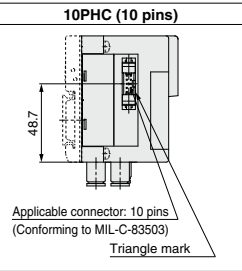
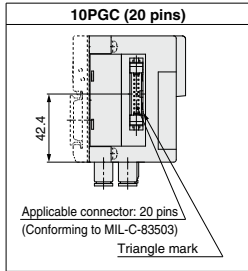
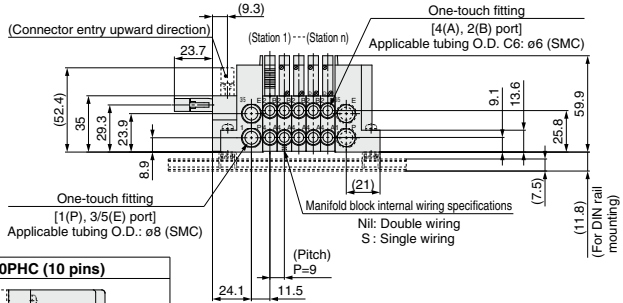
Type 10/Side Ported (Applicable to ø6 fittings)
Flat Ribbon Cable (IP20/Compact Type)

Dimensions: JSY1000 Series

JJ5SY1-10 $\frac{P}{PH}$ C₂- $\frac{U}{B}$ Stations $\frac{D}{B}$ - C6(D)



Applicable connector: 26 pins
(Conforming to MIL-C-83503)



- * These figures show the "JJ5SY1-10PC2-05D-C6."
- * Refer to page 118 for dimensions of external pilot (Made to Order) and silencer.
- * Only connectors are different for 10PGC and 10PHC. L1 to L5 dimensions are the same as 10PC type.
- * When CM is selected for mixed A, B port size, refer to page 121 for dimensions.

L: Dimensions

n: Stations

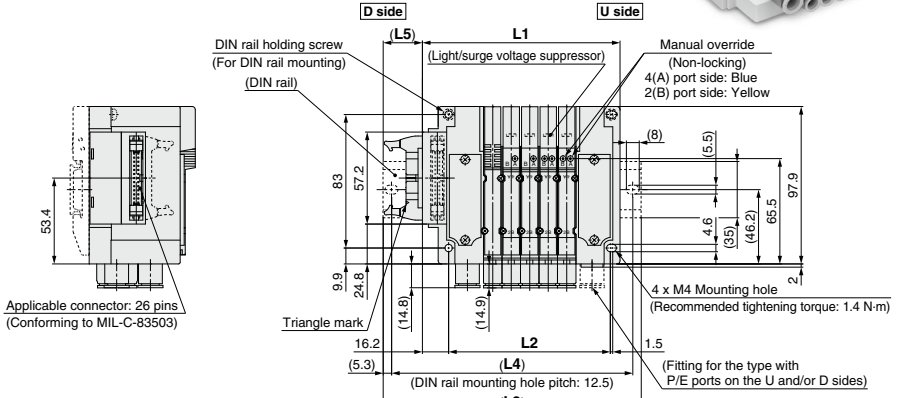
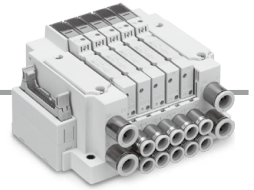
L \ n	2	3	4	5	6	7	8	9	10	11	12	13	14	15	16
L1	77.1	86.1	95.1	104.1	113.1	122.1	131.1	140.1	149.1	158.1	167.1	176.1	185.1	194.1	203.1
L2	61.4	70.4	79.4	88.4	97.4	106.4	115.4	124.4	133.4	142.4	151.4	160.4	169.4	178.4	187.4
L3	123	123	135.5	148	148	160.5	173	185.5	185.5	198	210.5	210.5	223	235.5	248
L4	112.5	112.5	125	137.5	137.5	150	162.5	175	175	187.5	200	200	212.5	225	237.5
L5	28.5	24	26	27.5	23	25	26.5	28.5	24	25.5	27.5	23	24.5	26.5	28

L \ n	17	18	19	20	21	22	23	24
L1	212.1	221.1	230.1	239.1	248.1	257.1	266.1	275.1
L2	196.4	205.4	214.4	223.4	232.4	241.4	250.4	259.4
L3	248	260.5	273	285.5	285.5	298	310.5	310.5
L4	237.5	250	262.5	275	275	287.5	300	300
L5	23.5	25.5	27	29	24.5	26	28	23.5

Type 10/Side Ported
Flat Ribbon Cable (IP20/Compact Type)

Dimensions: JSY3000 Series

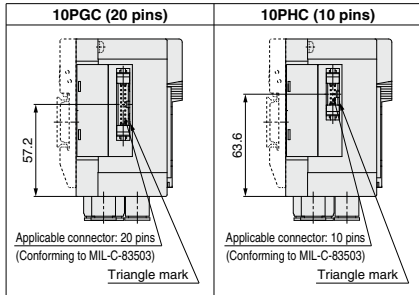
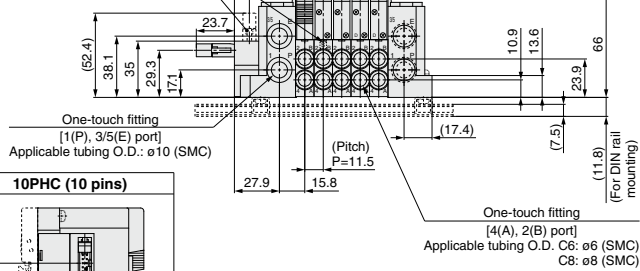
JJ5SY3-10 $\frac{P}{PH}$ C₂-1 [Stations] $\frac{U}{B}$ C₈ (D)



Manifold block internal wiring specifications

N1: Double wiring
S: Single wiring

(Connector entry upward direction)



- * These figures show the "JJ5SY3-10PC2-05D-C8."
- * Refer to page 119 for dimensions of external pilot (Made to Order) and silencer.
- * Only connectors are different for 10PGC and 10PHC. L1 to L5 dimensions are the same as 10PC type.

L: Dimensions

n: Stations

L \ n	2	3	4	5	6	7	8	9	10	11	12	13	14	15	16
L1	88.3	99.8	111.3	122.8	134.3	145.8	157.3	168.8	180.3	191.8	203.3	214.8	226.3	237.8	249.3
L2	66.1	77.6	89.1	100.6	112.1	123.6	135.1	146.6	158.1	169.6	181.1	192.6	204.1	215.6	227.1
L3	123	135.5	148	160.5	173	185.5	198	210.5	223	235.5	248	260.5	273	273	285.5
L4	112.5	125	137.5	150	162.5	175	187.5	200	212.5	225	237.5	250	262.5	262.5	275
L5	23	23.5	24	24.5	25	25.5	26	26.5	27	27.5	28	28.5	29	23	23.5

L \ n	17	18	19	20	21	22	23	24
L1	260.8	272.3	283.8	295.3	306.8	318.3	329.8	341.3
L2	238.6	250.1	261.6	273.1	284.6	296.1	307.6	319.1
L3	298	310.5	323	335.5	348	360.5	373	385.5
L4	287.5	300	312.5	325	337.5	350	362.5	375
L5	24	24.5	25	25.5	26	26.5	27	27.5

JSY1000/3000/5000 Series

Electrical Wiring Specifications

D-sub connector

If alignment is not specified, the internal wiring will be double wiring (connected to SOL. a and SOL. b) regardless of number of stations, valve types, and option types.

Connector terminal no.

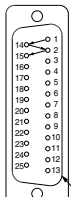
Terminal no.	Polarity		
Station 1	SOL.a	1	(-) (+)
	SOL.b	14	(-) (+)
Station 2	SOL.a	2	(-) (+)
	SOL.b	15	(-) (+)
Station 3	SOL.a	3	(-) (+)
	SOL.b	16	(-) (+)
Station 4	SOL.a	4	(-) (+)
	SOL.b	17	(-) (+)
Station 5	SOL.a	5	(-) (+)
	SOL.b	18	(-) (+)
Station 6	SOL.a	6	(-) (+)
	SOL.b	19	(-) (+)
Station 7	SOL.a	7	(-) (+)
	SOL.b	20	(-) (+)
Station 8	SOL.a	8	(-) (+)
	SOL.b	21	(-) (+)
Station 9	SOL.a	9	(-) (+)
	SOL.b	22	(-) (+)
Station 10	SOL.a	10	(-) (+)
	SOL.b	23	(-) (+)
Station 11	SOL.a	11	(-) (+)
	SOL.b	24	(-) (+)
Station 12	SOL.a	12	(-) (+)
	SOL.b	25	(-) (+)
COM.		13	(+) (-)

Positive common **Negative common**

* When using a valve with no polarity, either positive common or negative common can be used.

Specified Layout

(25 pins)

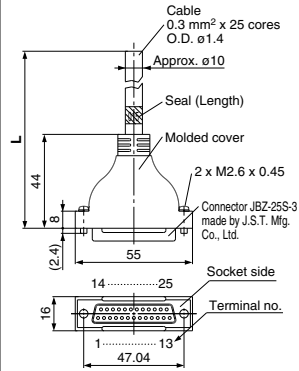


A mixture of single and double wiring can be specified on the manifold specification sheet. The maximum number of stations is determined according to the number of solenoids. The total number of solenoids should be 24 or less. 1 solenoid is required for the 2-position single, and 2 solenoids for the 2-position double, 3-position, and 4-position.

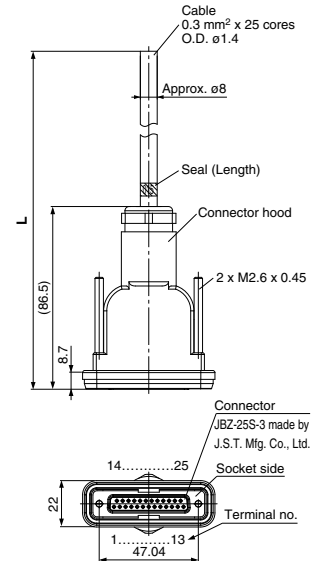
COM.

Connector Cable

AXT100-DS25-030 [IP20/40]
015
050



SY30M-DS25-030 [IP67]
015
050



D-sub connector cable [IP20/40 compliant]

Cable length (L)	Assembly part no.	Note
1.5 m	AXT100-DS25-015	Cable 0.3 mm² x 25 cores
3 m	AXT100-DS25-030	
5 m	AXT100-DS25-050	

- * When using a standard commercial connector, use a 25-pin type female connector conforming to MIL-C-24308.
- * Cannot be used for movable wiring
- * Lengths other than the above are also available. Please contact SMC for details.

D-sub connector cable [IP67 compliant]

Cable length (L)	Assembly part no.	Note
1.5 m	SY30M-DS25-015	Cable 0.3 mm² x 25 cores
3 m	SY30M-DS25-030	
5 m	SY30M-DS25-050	

- * Be sure to use the connector cable in the table, to satisfy enclosure IP67.
- * Cannot be used for movable wiring

Electrical characteristics

Item	Property
Conductor resistance Ω/km, 20°C	65 or less
Voltage limit V, 1 minute, AC	1000
Insulation resistance MΩ/km, 20°C	5 or more

- * The minimum bending radius of the D-sub connector cable is 20 mm.

D-sub connector cable terminal numbers

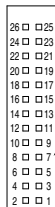
Terminal no.	1	2	3	4	5	6	7	8	9	10	11	12	13	14	15	16	17	18	19	20	21	22	23	24	25	
Lead wire color	Black	Brown	Red	Orange	Yellow	Pink	Blue	Purple	Gray	White	White	Red	Yellow	Orange	Black	Pink	Blue	Purple	None	Gray	White	Red	Brown	Pink	Red	White
Dot marking	None	None	None	None	None	None	None	White	Black	Black	Red	Red	Red	Red	Black	Black	Black	None	Black	White	White	Red	Red	White	White	None

Connector Manufacturer's Example

- Fujitsu Limited
- Japan Aviation Electronics Industry, Limited
- J.S.T. Mfg. Co., Ltd.
- HIROSE ELECTRIC CO., LTD.

Electrical Wiring Specifications

Flat ribbon cable connector



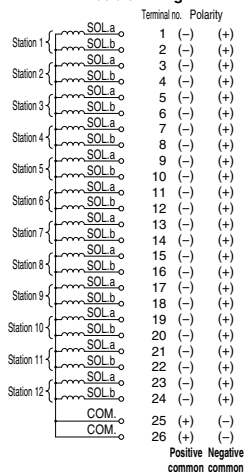
Connector terminal no.

Triangle mark indicator position

If alignment is not specified, the internal wiring will be double wiring (connected to SOL. a and SOL. b) regardless of number of stations, valve types, and option types.

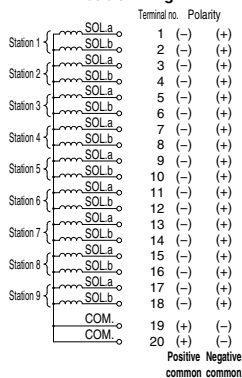
P, PC: Flat ribbon cable (26 pins)

<Double wiring>



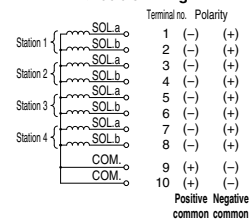
PG, PGC: Flat ribbon cable (20 pins)

<Double wiring>



PH, PHC: Flat ribbon cable (10 pins)

<Double wiring>

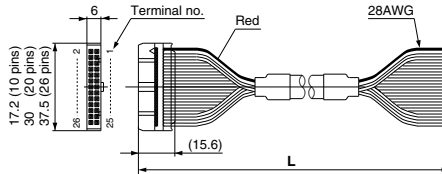


* When using a valve with no polarity, either positive common or negative common can be used.

JSY1000/3000/5000 Series

Flat Ribbon Cable Connector

AXT100-FC
 10 1
 20-2
 26 3



Flat ribbon cable connector

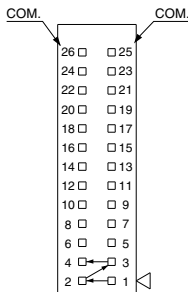
Cable length (L)	Assembly part no.		
	26 pins	20 pins	10 pins
1.5 m	AXT100-FC26-1	AXT100-FC20-1	AXT100-FC10-1
3 m	AXT100-FC26-2	AXT100-FC20-2	AXT100-FC10-2
5 m	AXT100-FC26-3	AXT100-FC20-3	AXT100-FC10-3

Connector Manufacturer's Example

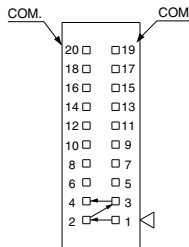
- HIROSE ELECTRIC CO., LTD.
- 3M Japan Limited
- Fujitsu Limited
- Japan Aviation Electronics Industry, Limited
- J.S.T. Mfg. Co., Ltd.
- Oki Electric Cable Co., Ltd.

- * When using a standard commercial connector, use a 26-pin, 20-pin, or 10-pin type connector conforming to MIL-C-83503 with strain relief.
- * Cannot be used for movable wiring
- * Lengths other than the above are also available. Please contact SMC for details.

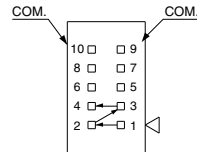
Specified Layout



(P, PC: 26 pins)



(PG, PGC: 20 pins)



(PH, PHC: 10 pins)

A mixture of single and double wiring can be specified on the manifold specification sheet. The maximum number of stations is determined according to the number of solenoids. The total number of solenoids should be 24 or less for P and PC, 18 or less for PG and PGC, and 8 or less for PH and PHC. 1 solenoid is required for the 2-position single, and 2 solenoids for the 2-position double, 3-position, and 4-position.

Plug-in Connector Connecting Base

Spring Type Terminal Block Box

Terminal Block Box

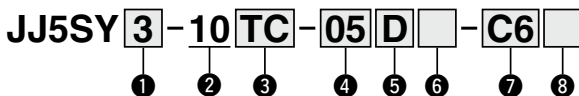
Type 10
Side Ported

JSY1000/3000/5000 Series



Internal Pilot

How to Order Manifolds



Made to Order
(Refer to page 156 for details.)

Specification
External pilot (SUP/EXH block assembly)

1 Series

1	JSY1000
3	JSY3000
5	JSY5000

2 Type

10	Side ported
-----------	-------------

3 Wiring

TC	Spring type terminal block box
T	Terminal block box

4 Valve stations

TC: Spring type terminal block box

T: Terminal block box

Symbol	Stations	Note	Symbol	Stations	Note
02	2 stations	Double wiring*1	02	2 stations	Double wiring*1
⋮			⋮		
16	16 stations		10	10 stations	
02	2 stations	Specified layout*2 (Up to 32 solenoids available)	02	2 stations	Specified layout*2 (Up to 20 solenoids available)
⋮			⋮		
24	24 stations		20	20 stations	

*1 Double wiring: 2-position single, double, 3-position, and 4-position valves can be used on all manifold stations.

The use of a 2-position single solenoid will result in an unused control signal. If this is not desired, order with a specified layout.

*2 Specified layout: Indicate the wiring specifications on the manifold specification sheet. (Note that 2-position double, 3-position, and 4-position valves cannot be used where single wiring has been specified.)

*3 This also includes the number of blanking plates.

5 P, E port entry

U	U side (2 to 10 stations)
D	D side (2 to 10 stations)
B	Both sides (2 to 24 stations)

6 SUP/EXH block assembly

Nil	Internal pilot
S	Internal pilot, Built-in silencer

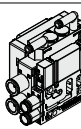
* The 3/5(E) port is plugged for the built-in silencer type.

* When the built-in silencer type is used, keep the exhaust port from coming into direct contact with water or other liquids.

* The external pilot specification should be ordered as Made to Order. For details, refer to page 156.

7 A, B port size (Metric/One-touch fitting)

Symbol	A, B port	JSY1000	JSY3000	JSY5000
C2	Straight	ø2	●	—
C4		ø4	●	—
C6		ø6	●	●
C8		ø8	—	●
C10		ø10	—	●
C12		ø12	—	●
CM *1		Straight port, mixed sizes	●	●
P, E port size (One-touch fittings)		ø8	ø10	ø12



*1 Indicate the sizes on the manifold specification sheet in the case of "CM."

* The JSY1000 manifold pitch for C2 and C4 is 6.5 mm, and 9 mm for C6. When CM is selected, the manifold pitch is different depending on the selected fitting.

8 Mounting and Option

Symbol	Mounting
Nil	Direct mounting
<input type="checkbox"/>	DIN rail mounting

* Enter the number of stations inside when it is larger than the number of valve stations. (Refer to "DIN Rail Option" shown below.)

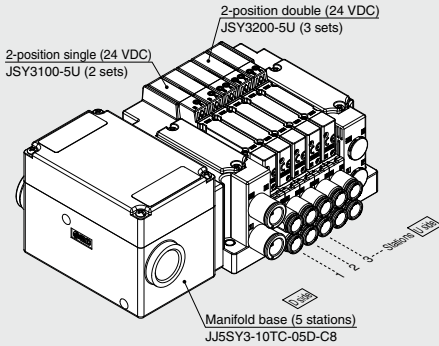
* Refer to page 160 for details on securing the DIN rail mounting type manifold.

DIN Rail Option

Nil	DIN rail mounting (With DIN rail)
0	DIN rail mounting (Without DIN rail)
3	For 3 stations
⋮	Specify a length longer than that of the standard rail.
24	

How to Order Manifold Assembly

Example (JJJSY3-10TC-□)



JJSY3-10TC-05D-C8 ... 1 set (Type 10 5-station manifold base part no.)
 * JSY3100-5U 2 sets (2-position single part no.)
 * JSY3200-5U 3 sets (2-position double part no.)
 The asterisk denotes the symbol for the assembly.
 Prefix it to the part numbers of the valve, etc.

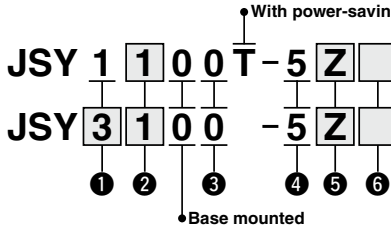
- For the valve arrangement, the valve closest to the D side is considered the 1st station.
- Under the manifold part number, state the valves to be mounted in order starting with the 1st station as shown in the figure. If the arrangement becomes too complicated, specify the details on a manifold specification sheet.

Internal Pilot

How to Order Valves (With mounting screw)

Refer to page 34 for valve specifications.

JSY1000 Series
JSY3000/5000 Series



Made to Order	Made to Order (Refer to page 156 for details.)
	Specification With power-saving circuit (Continuous duty type): 0.1 W (JSY3000/5000) External pilot

1 Series

1	JSY1000
3	JSY3000
5	JSY5000

3 Pilot valve exhaust method

0	Pilot valve individual exhaust
---	--------------------------------

4 Rated voltage

5	24 VDC
---	--------

2 Type of actuation

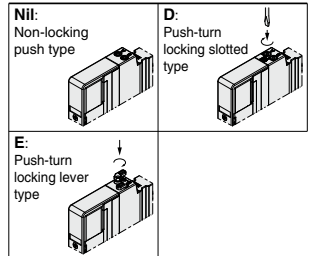
1	2-position	Single
2		Double
3	3-position	Closed center
4		Exhaust center
5		Pressure center
A	4-position dual 3-port	N.C./N.C.
B		N.O./N.O.
C		N.C./N.O.

5 Light/surge voltage suppressor and common specification

Symbol	With light	Surge voltage suppressor	Common specification
U	●	●	Non-polar
Z	●	●	Positive common
NZ	●	●	Negative common

- * Only "Z" and "NZ" types are available for the JSY1000 series.
- * When the non-polar common specification type is selected, take measures to prevent surge voltage. For details, refer to page 159.

6 Manual override



* Push-turn locking lever type "E" is not available for the JSY1000.

- * **When ordering a valve individually, the base gasket is not included.** Since the base gasket is attached to the manifold, please order the base gasket separately if it is needed for maintenance. Refer to page 137 for base gasket and mounting screw part numbers.

⚠ Caution

If the JSY3000/5000 series is to be continuously energized, please be sure to select the power-saving circuit (continuous duty type) specification. Refer to "Made to Order" on page 156. For the JSY1000 series, only the power-saving circuit specification is available.

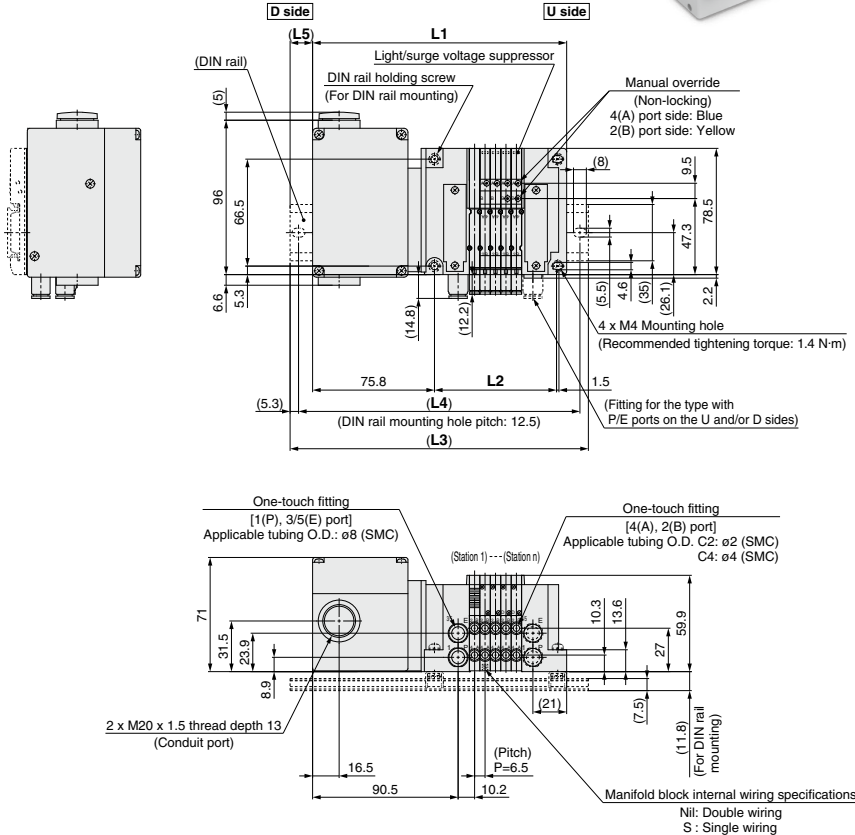
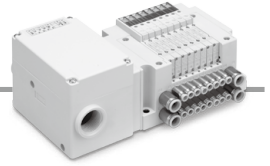
Protective class class III (Mark: ⚡)

JSY1000/3000/5000 Series

Type 10/Side Ported (Applicable to $\phi 2$ and $\phi 4$ fittings)
Spring Type Terminal Block Box

Dimensions: **JSY1000 Series**

JJ5SY1-10TC - Stations $\frac{U}{D}$ - $\phi 2$ (D)



- * These figures show the "JJ5SY1-10TC-05D-C4."
- * Refer to page 118 for dimensions of external pilot (Made to Order) and silencer.
- * When CM is selected for mixed A, B port size and C6 (9 mm pitch) is included, refer to page 121 for dimensions.

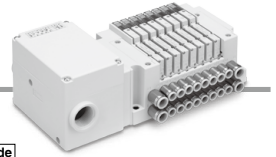
L: Dimensions

n: Stations

L \ n	2	3	4	5	6	7	8	9	10	11	12	13	14	15	16
L1	138.5	145	151.5	158	164.5	171	177.5	184	190.5	197	203.5	210	216.5	223	229.5
L2	56.4	62.9	69.4	75.9	82.4	88.9	95.4	101.9	108.4	114.9	121.4	127.9	134.4	140.9	147.4
L3	173	173	185.5	185.5	198	198	210.5	210.5	223	223	235.5	235.5	248	248	260.5
L4	162.5	162.5	175	175	187.5	187.5	200	200	212.5	212.5	225	225	237.5	237.5	250
L5	17.5	14	17	14	17	13.5	16.5	13.5	16.5	13	16	13	16	12.5	15.5

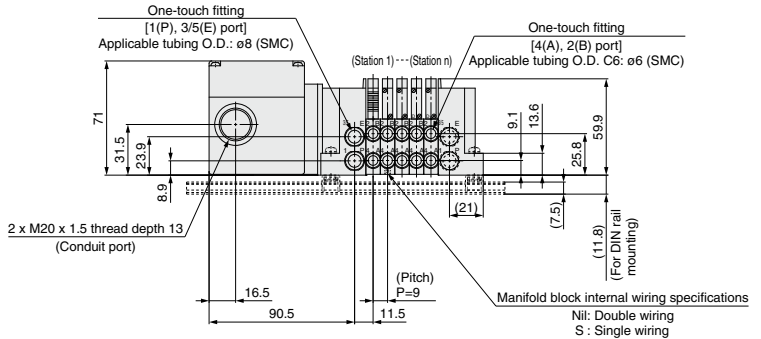
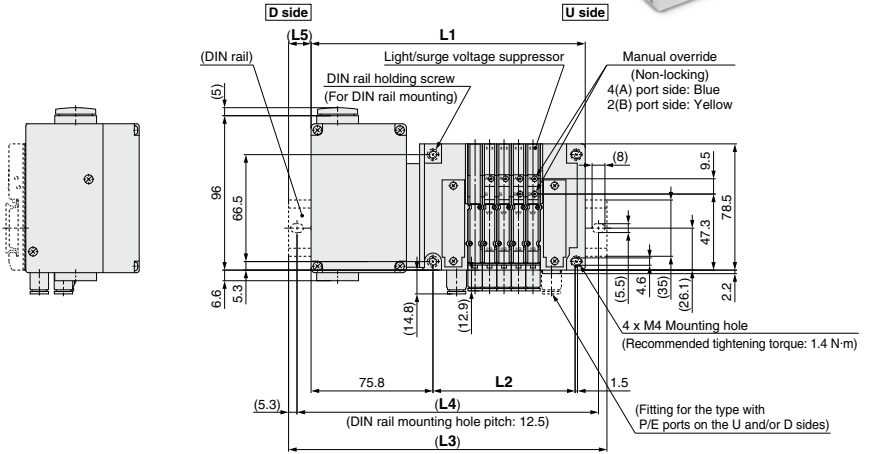
L \ n	17	18	19	20	21	22	23	24
L1	236	242.5	249	255.5	262	268.5	275	281.5
L2	153.9	160.4	166.9	173.4	179.9	186.4	192.9	199.4
L3	260.5	273	273	285.5	285.5	298	310.5	310.5
L4	250	262.5	262.5	275	275	287.5	300	300
L5	12.5	15.5	12	15	12	15	18	14.5

Type 10/Side Ported (Applicable to ø6 fittings)
Spring Type Terminal Block Box



Dimensions: **JSY1000 Series**

JJ5SY1-10TC- $\frac{U}{D}$ -Stations $\frac{B}{C}$ -C6(D)



- * These figures show the "JJ5SY1-10TC-05D-C6."
- * Refer to page 118 for dimensions of external pilot (Made to Order) and silencer.
- * When CM is selected for mixed A, B port size, refer to page 121 for dimensions.

L: Dimensions

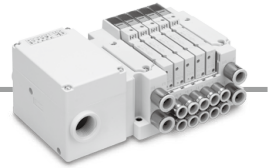
n: Stations

L \ n	2	3	4	5	6	7	8	9	10	11	12	13	14	15	16
L1	143.5	152.5	161.5	170.5	179.5	188.5	197.5	206.5	215.5	224.5	233.5	242.5	251.5	260.5	269.5
L2	61.4	70.4	79.4	88.4	97.4	106.4	115.4	124.4	133.4	142.4	151.4	160.4	169.4	178.4	187.4
L3	173	185.5	185.5	198	210.5	223	223	235.5	248	248	260.5	273	285.5	285.5	298
L4	162.5	175	175	187.5	200	212.5	212.5	225	237.5	237.5	250	262.5	275	275	287.5
L5	15	16.5	12	14	15.5	17.5	13	14.5	16.5	12	13.5	15.5	17	12.5	14.5

L \ n	17	18	19	20	21	22	23	24
L1	278.5	287.5	296.5	305.5	314.5	323.5	332.5	341.5
L2	196.4	205.4	214.4	223.4	232.4	241.4	250.4	259.4
L3	310.5	323	323	335.5	348	348	360.5	373
L4	300	312.5	312.5	325	337.5	337.5	350	362.5
L5	16	18	13.5	15	17	12.5	14	16

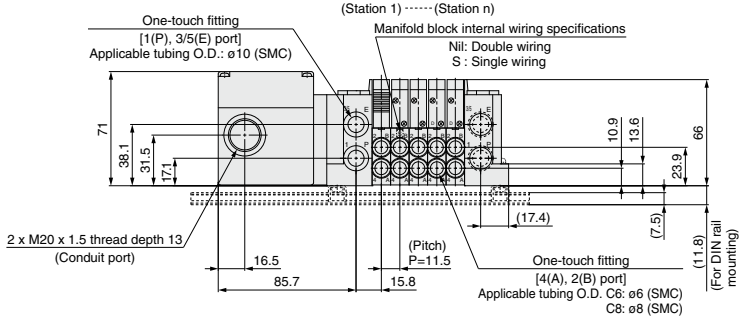
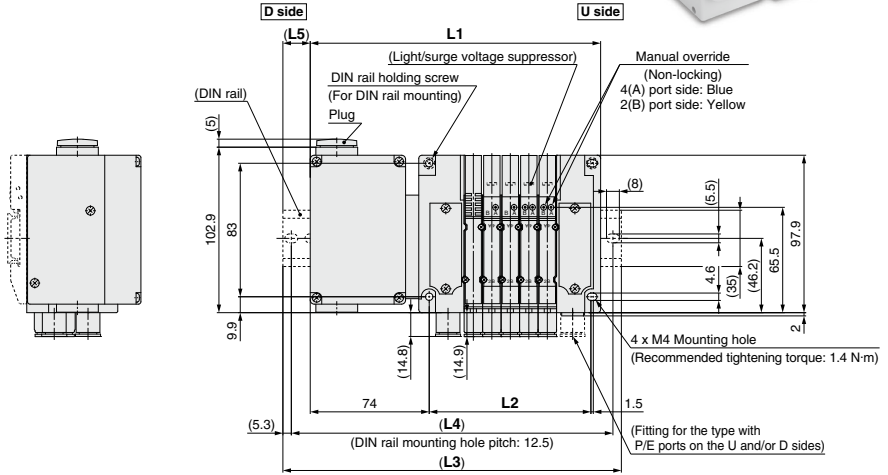
JSY1000/3000/5000 Series

Type 10/Side Ported
Spring Type Terminal Block Box



Dimensions: **JSY3000 Series**

JJ5SY3-10TC - Stations $\frac{U}{D}$ - C8 (D)



* These figures show the "JJ5SY3-10TC-05D-C8."
 * Refer to page 119 for dimensions of external pilot (Made to Order) and silencer.

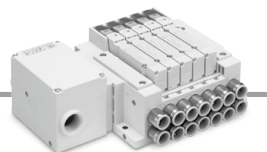
L: Dimensions

L	n	2	3	4	5	6	7	8	9	10	11	12	13	14	15	16
L1	n	146.1	157.6	169.1	180.6	192.1	203.6	215.1	226.6	238.1	249.6	261.1	272.6	284.1	295.6	307.1
L2	n	66.1	77.6	89.1	100.6	112.1	123.6	135.1	146.6	158.1	169.6	181.1	192.6	204.1	215.6	227.1
L3	n	173	185.5	198	210.5	223	235.5	248	260.5	273	273	285.5	298	310.5	323	335.5
L4	n	162.5	175	187.5	200	212.5	225	237.5	250	262.5	262.5	275	287.5	300	312.5	325
L5	n	13.5	14	14.5	15	15.5	16	16.5	17	17.5	11.5	12	12.5	13	13.5	14

L	n	17	18	19	20	21	22	23	24
L1	n	318.6	330.1	341.6	353.1	364.6	376.1	387.6	399.1
L2	n	238.6	250.1	261.6	273.1	284.6	296.1	307.6	319.1
L3	n	348	360.5	373	385.5	398	410.5	423	423
L4	n	337.5	350	362.5	375	387.5	400	412.5	412.5
L5	n	14.5	15	15.5	16	16.5	17	17.5	12

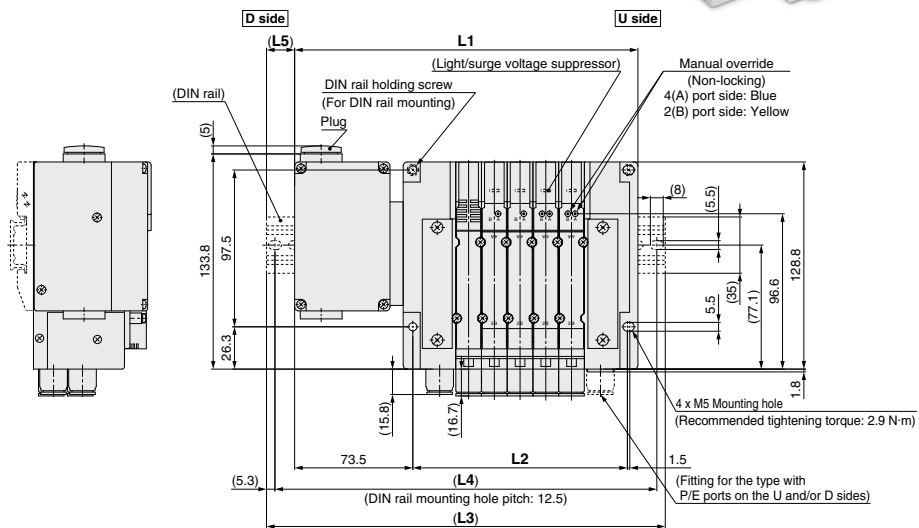


Type 10/Side Ported
Spring Type Terminal Block Box



Dimensions: JSY5000 Series

JJ5SY5-10TC- [Stations] $\frac{U}{D}$ - C10/C12 (D)



* These figures show the "JJ5SY5-10TC-05D-C12."
 * Refer to page 120 for dimensions of external pilot (Made to Order) and silencer.

L: Dimensions

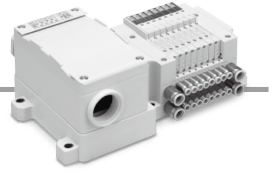
n: Stations

L \ n	2	3	4	5	6	7	8	9	10	11	12	13	14	15	16
L1	165.5	181.5	197.5	213.5	229.5	245.5	261.5	277.5	293.5	309.5	325.5	341.5	357.5	373.5	389.5
L2	85.5	101.5	117.5	133.5	149.5	165.5	181.5	197.5	213.5	229.5	245.5	261.5	277.5	293.5	309.5
L3	198	210.5	223	248	260.5	273	285.5	310.5	323	335.5	360.5	373	385.5	398	423
L4	187.5	200	212.5	237.5	250	262.5	275	300	312.5	325	350	362.5	375	387.5	412.5
L5	16.5	14.5	13	17.5	15.5	14	12	16.5	15	13	17.5	16	14	12.5	17

L \ n	17	18	19	20	21	22	23	24
L1	405.5	421.5	437.5	453.5	469.5	485.5	501.5	517.5
L2	325.5	341.5	357.5	373.5	389.5	405.5	421.5	437.5
L3	435.5	448	473	485.5	498	510.5	535.5	548
L4	425	437.5	462.5	475	487.5	500	525	537.5
L5	15	13.5	18	16	14.5	12.5	17	15.5

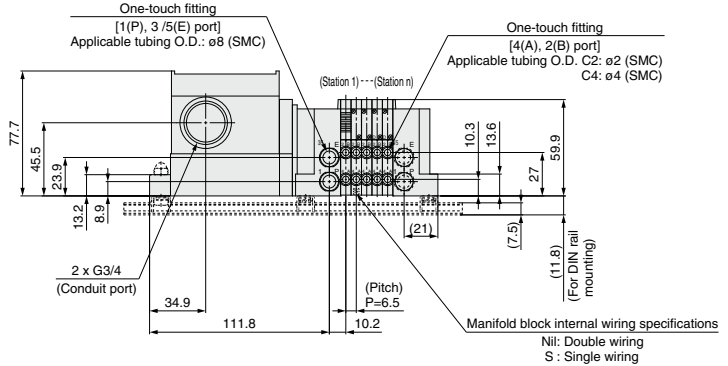
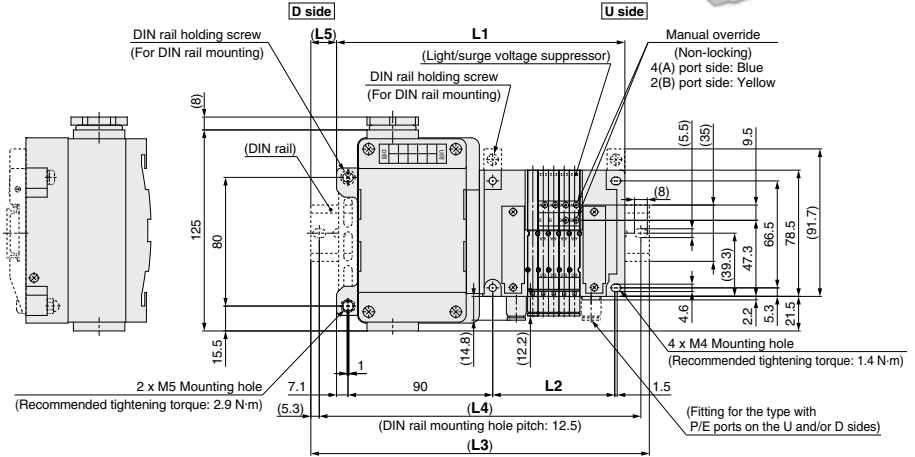
JSY1000/3000/5000 Series

Type 10/Side Ported (Applicable to ø2 and ø4 fittings)
Terminal Block Box



Dimensions: JSY1000 Series

JJ5SY1-10T - Stations $\frac{U}{B} - \frac{C2}{C4} (D)$



* These figures show the "JJ5SY1-10T-05D-C4."

* Refer to page 118 for dimensions of external pilot (Made to Order) and silencer.

* When CM is selected for mixed A, B port size and C6 (9 mm pitch) is included, refer to page 121 for dimensions.

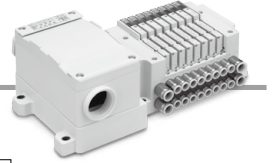
L: Dimensions

n: Stations

L \ n	2	3	4	5	6	7	8	9	10	11	12	13	14	15	16
L1	159.8	166.3	172.8	179.3	185.8	192.3	198.8	205.3	211.8	218.3	224.8	231.3	237.8	244.3	250.8
L2	56.4	62.9	69.4	75.9	82.4	88.9	95.4	101.9	108.4	114.9	121.4	127.9	134.4	140.9	147.4
L3	185.5	198	198	210.5	210.5	223	223	235.5	235.5	248	248	260.5	273	273	285.5
L4	175	187.5	187.5	200	200	212.5	212.5	225	225	237.5	237.5	250	262.5	262.5	275
L5	13	16	13	16	13	16	12	15	12	15	12	15	18	15	18

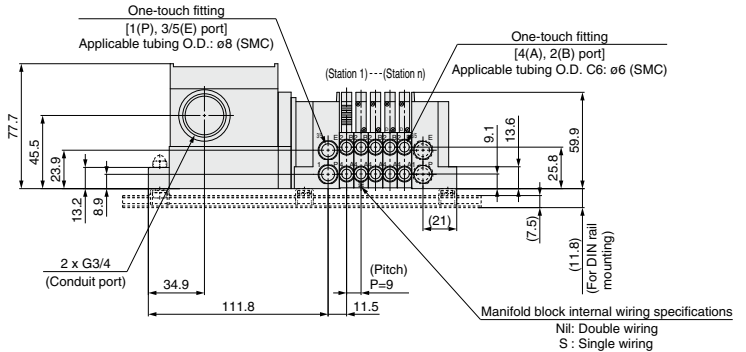
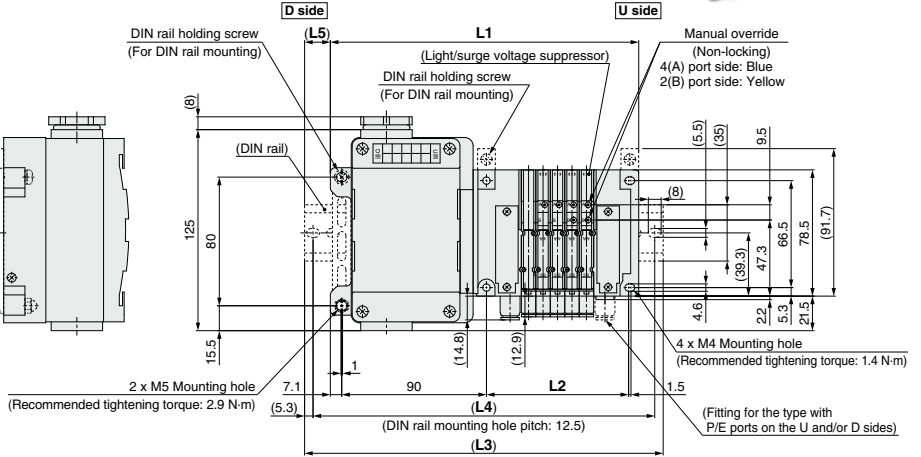
L \ n	17	18	19	20
L1	257.3	263.8	270.3	276.8
L2	153.9	160.4	166.9	173.4
L3	285.5	298	298	310.5
L4	275	287.5	287.5	300
L5	14	17	14	17

Type 10/Side Ported (Applicable to ø6 fittings)
Terminal Block Box



Dimensions: **JSY1000 Series**

JJ5SY1-10T- $\frac{U}{D}$ -Stations C6(D)



- * These figures show the "JJ5SY1-10T-05D-C6."
- * Refer to page 118 for dimensions of external pilot (Made to Order) and silencer.
- * When CM is selected for mixed A, B port size, refer to page 121 for dimensions.

L: Dimensions

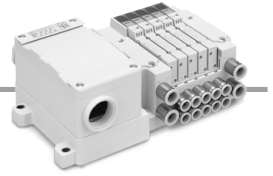
n: Stations

L \ n	2	3	4	5	6	7	8	9	10	11	12	13	14	15	16
L1	164.8	173.8	182.8	191.8	200.8	209.8	218.8	227.8	236.8	245.8	254.8	263.8	272.8	281.8	290.8
L2	61.4	70.4	79.4	88.4	97.4	106.4	115.4	124.4	133.4	142.4	151.4	160.4	169.4	178.4	187.4
L3	198	198	210.5	223	235.5	235.5	248	260.5	260.5	273	285.5	298	298	310.5	323
L4	187.5	187.5	200	212.5	225	225	237.5	250	250	262.5	275	287.5	287.5	300	312.5
L5	17	12	14	16	18	13	15	17	12	14	16	17	13	15	16

L \ n	17	18	19	20
L1	299.8	308.8	317.8	326.8
L2	196.4	205.4	214.4	223.4
L3	323	335.5	348	360.5
L4	312.5	325	337.5	350
L5	12	14	15	17

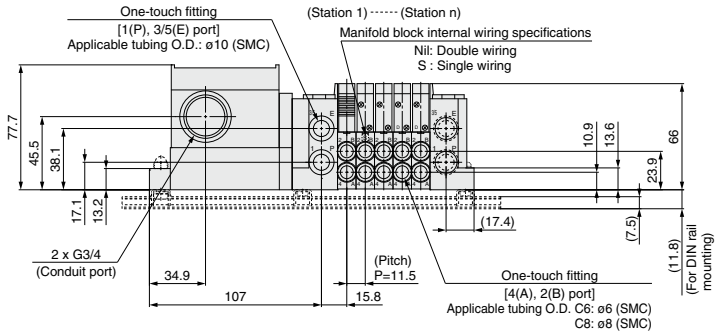
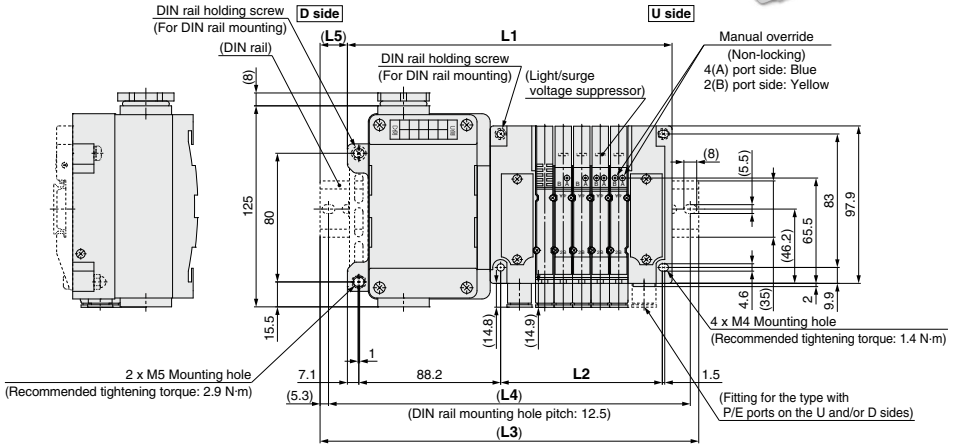
JSY1000/3000/5000 Series

Type 10/Side Ported
Terminal Block Box



Dimensions: JSY3000 Series

JJ5SY3-10T - Stations $\frac{U}{D}$ - C8 (D)



* These figures show the "JJ5SY3-10T-05D-C8."

* Refer to page 119 for dimensions of external pilot (Made to Order) and silencer.

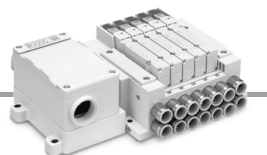
L: Dimensions

n: Stations

L \ n	2	3	4	5	6	7	8	9	10	11	12	13	14	15	16
L1	167.4	178.9	190.4	201.9	213.4	224.9	236.4	247.9	259.4	270.9	282.4	293.9	305.4	316.9	328.4
L2	66.1	77.6	89.1	100.6	112.1	123.6	135.1	146.6	158.1	169.6	181.1	192.6	204.1	215.6	227.1
L3	198	210.5	223	235.5	248	248	260.5	273	285.5	298	310.5	323	335.5	348	360.5
L4	187.5	200	212.5	225	237.5	237.5	250	262.5	275	287.5	300	312.5	325	337.5	350
L5	16	16	17	17	18	12	12	13	13	14	14	15	15	16	16

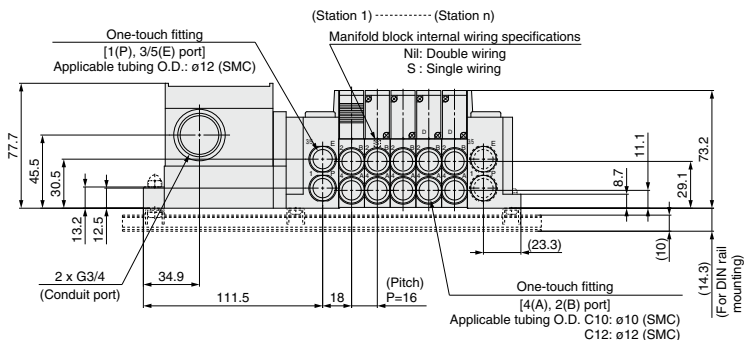
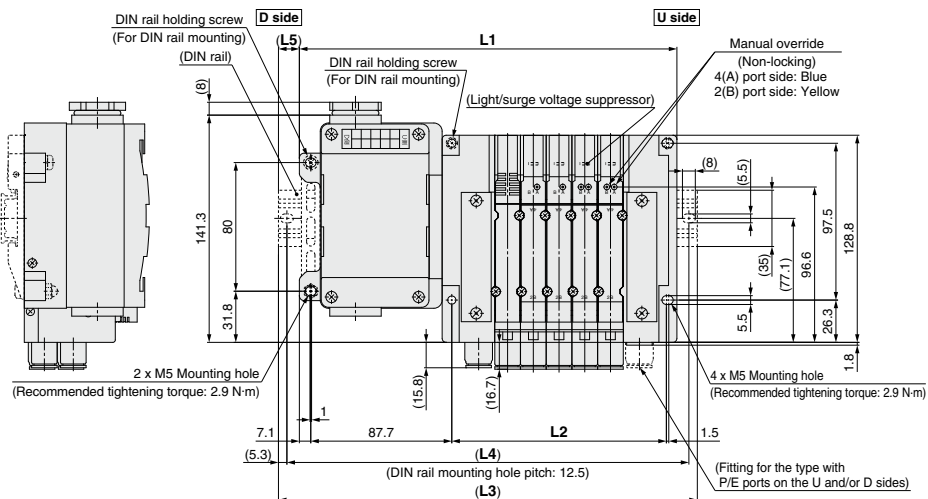
L \ n	17	18	19	20
L1	339.9	351.4	362.9	374.4
L2	238.6	250.1	261.6	273.1
L3	373	385.5	398	398
L4	362.5	375	387.5	387.5
L5	17	17	18	12

Type 10/Side Ported
Terminal Block Box



Dimensions: **JSY5000 Series**

JJ5SY5-10T - Stations $\frac{U}{D}$ - C10/C12(D)



* These figures show the "JJ5SY5-10T-05D-C12."
 * Refer to page 120 for dimensions of external pilot (Made to Order) and silencer.

L: Dimensions

L \ n	2	3	4	5	6	7	8	9	10	11	12	13	14	15	16
L1	186.8	202.8	218.8	234.8	250.8	266.8	282.8	298.8	314.8	330.8	346.8	362.8	378.8	394.8	410.8
L2	85.5	101.5	117.5	133.5	149.5	165.5	181.5	197.5	213.5	229.5	245.5	261.5	277.5	293.5	309.5
L3	210.5	235.5	248	260.5	285.5	298	310.5	323	348	360.5	373	398	410.5	423	435.5
L4	200	225	237.5	250	275	287.5	300	312.5	337.5	350	362.5	387.5	400	412.5	425
L5	12	16.5	14.5	13	17.5	15.5	14	12	16.5	15	13	17.5	16	14	12.5

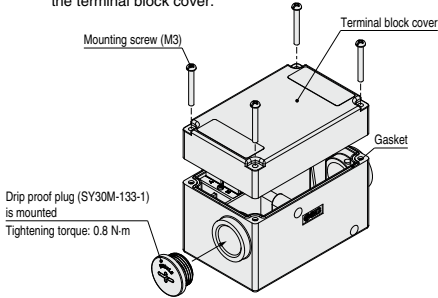
L \ n	17	18	19	20
L1	426.8	442.8	458.8	474.8
L2	325.5	341.5	357.5	373.5
L3	460.5	473	485.5	498
L4	450	462.5	475	487.5
L5	17	15	13.5	11.5

JSY1000/3000/5000 Series

Spring Type Terminal Block "TC" Connection

Step 1. Remove the terminal block cover.

Loosen the 4 mounting screws (M3) to remove the terminal block cover.



Step 3. Mount the terminal block cover.

Securely tighten the mounting screws (M3) to the torque shown below only after confirming that the gasket is installed correctly.

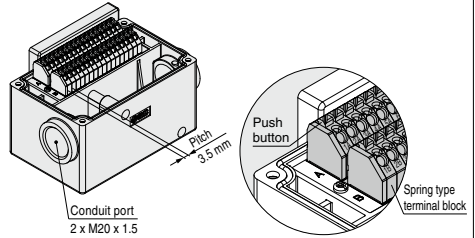
Proper tightening torque [N·m]
0.54 to 0.66

• Applicable wire range: Conductor diameter $\phi 0.5$ to $\phi 1.2$ mm, Stranded wire AWG24 to 16

Step 2. The diagram below shows the terminal block wiring.

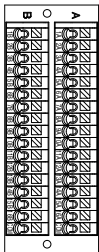
All stations are provided with double wiring regardless of the mounted valves.

Connect each wire to the power supply side, according to the markings provided inside the terminal block. Be sure to connect the wire with the push button pressed down.



Electrical Wiring Specifications (IP67 compliant)

Standard wiring



If alignment is not specified, the internal wiring will be double wiring (connected to SOL. a and SOL. b) regardless of number of stations, valve types, and option types.

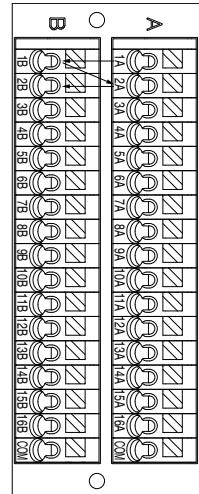
* When using a valve with no polarity, either positive common or negative common can be used.

Terminal no.	Polarity
Station 1 { SOL.a 1A (-) (+)	
{ SOL.b 1B (-) (+)	
Station 2 { SOL.a 2A (-) (+)	
{ SOL.b 2B (-) (+)	
Station 3 { SOL.a 3A (-) (+)	
{ SOL.b 3B (-) (+)	
Station 4 { SOL.a 4A (-) (+)	
{ SOL.b 4B (-) (+)	
Station 5 { SOL.a 5A (-) (+)	
{ SOL.b 5B (-) (+)	
Station 6 { SOL.a 6A (-) (+)	
{ SOL.b 6B (-) (+)	
Station 7 { SOL.a 7A (-) (+)	
{ SOL.b 7B (-) (+)	
Station 8 { SOL.a 8A (-) (+)	
{ SOL.b 8B (-) (+)	
Station 9 { SOL.a 9A (-) (+)	
{ SOL.b 9B (-) (+)	
Station 10 { SOL.a 10A (-) (+)	
{ SOL.b 10B (-) (+)	
Station 11 { SOL.a 11A (-) (+)	
{ SOL.b 11B (-) (+)	
Station 12 { SOL.a 12A (-) (+)	
{ SOL.b 12B (-) (+)	
Station 13 { SOL.a 13A (-) (+)	
{ SOL.b 13B (-) (+)	
Station 14 { SOL.a 14A (-) (+)	
{ SOL.b 14B (-) (+)	
Station 15 { SOL.a 15A (-) (+)	
{ SOL.b 15B (-) (+)	
Station 16 { SOL.a 16A (-) (+)	
{ SOL.b 16B (-) (+)	
○ COM. (+) (-)	
○ COM. (+) (-)	

Positive Negative
common common

Specified Layout

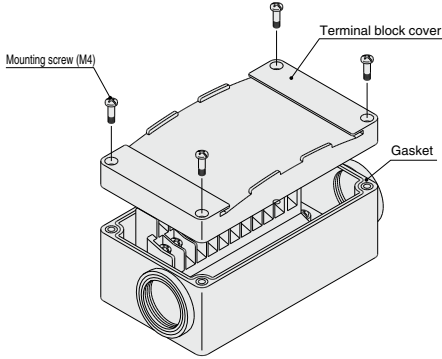
A mixture of single and double wiring can be specified on the manifold specification sheet. The maximum number of stations is determined according to the number of solenoids. The total number of solenoids should be 32 or less. 1 solenoid is required for the 2-position single, and 2 solenoids for the 2-position double, 3-position, and 4-position.



Terminal Block "T" Connection

Step 1. Remove the terminal block cover.

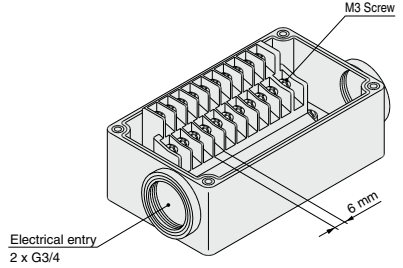
Loosen the 4 mounting screws (M4) to remove the terminal block cover.



Step 2. The diagram below shows the terminal block wiring.

All stations are provided with double wiring regardless of the mounted valves.

Connect each wire to the power supply side, according to the markings provided inside the terminal block.



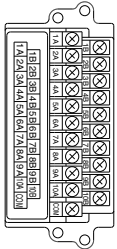
Step 3. Mount the terminal block cover.

Securely tighten the screws to the torque shown below only after confirming that the gasket is installed correctly.

Proper tightening torque [N·m]
0.7 to 1.2

- Applicable crimped terminal: 1.25-3S, 1.25Y-3, 1.25Y-3N, 1.25Y-3.5
- Name plate: VVQ5000-N-T
- Drip proof plug assembly (for G3/4): AXT100-B06A

Electrical Wiring Specifications (IP67 compliant)



Standard wiring

	Terminal no.	Polarity	
Station 1	SOL a	1A (-)	(+)
	SOL b	1B (-)	(+)
Station 2	SOL a	2A (-)	(+)
	SOL b	2B (-)	(+)
Station 3	SOL a	3A (-)	(+)
	SOL b	3B (-)	(+)
Station 4	SOL a	4A (-)	(+)
	SOL b	4B (-)	(+)
Station 5	SOL a	5A (-)	(+)
	SOL b	5B (-)	(+)
Station 6	SOL a	6A (-)	(+)
	SOL b	6B (-)	(+)
Station 7	SOL a	7A (-)	(+)
	SOL b	7B (-)	(+)
Station 8	SOL a	8A (-)	(+)
	SOL b	8B (-)	(+)
Station 9	SOL a	9A (-)	(+)
	SOL b	9B (-)	(+)
Station 10	SOL a	10A (-)	(+)
	SOL b	10B (-)	(+)
	COM.	(+)	(-)

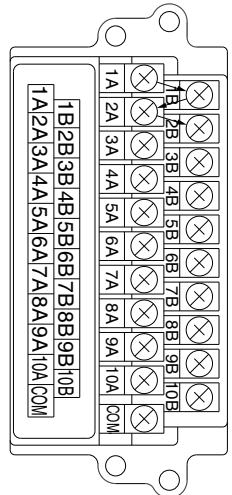
If alignment is not specified, the internal wiring will be double wiring (connected to SOL a and SOL b) regardless of number of stations, valve types, and option types.

* When using a valve with no polarity, either positive common or negative common can be used.

Positive Negative
common common

Specified Layout

A mixture of single and double wiring can be specified on the manifold specification sheet. The maximum number of stations is determined according to the number of solenoids. The total number of solenoids should be 20 or less. 1 solenoid is required for the 2-position single, and 2 solenoids for the 2-position double, 3-position, and 4-position.



Plug-in Connector Connecting Base

Lead Wire

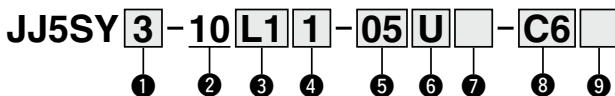
Type 10
Side Ported

JSY1000/3000/5000 Series



Internal Pilot

How to Order Manifolds



Made to Order
(Refer to page 156 for details.)

Specification
External pilot (SUP/EXH block assembly)

① Series

1	JSY1000
3	JSY3000
5	JSY5000

② Type

10	Side ported
----	-------------

③ Number of cores (Lead wire)

L1	34 cores
L2	17 cores
L3	9 cores

④ Lead wire length

1	0.6 m
2	1.5 m
3	3 m

⑤ P, E port entry

U	U side (2 to 10 stations)
D	D side (2 to 10 stations)
B	Both sides (2 to 24 stations)

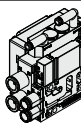
⑦ SUP/EXH block assembly

Nil	Internal pilot
S	Internal pilot, Built-in silencer

- * The 3/5(E) port is plugged for the built-in silencer type.
- * When the built-in silencer type is used, keep the exhaust port from coming into direct contact with water or other liquids.
- * The external pilot specification should be ordered as Made to Order. For details, refer to page 156.

⑧ A, B port size (Metric/One-touch fitting)

Symbol	A, B port	JSY1000	JSY3000	JSY5000
C2	ø2	●	—	—
C4	ø4	●	—	—
C6	ø6	●	●	—
C8	ø8	—	●	—
C10	ø10	—	—	●
C12	ø12	—	—	●
CM ^{*1}	Straight port, mixed sizes	●	●	●
P, E port size (One-touch fittings)		ø8	ø10	ø12



- *1 Indicate the sizes on the manifold specification sheet in the case of "CM."
- * The JSY1000 manifold pitch for C2 and C4 is 6.5 mm, and 9 mm for C6. When CM is selected, the manifold pitch is different depending on the selected fitting.

⑤ Valve stations

L1□: 34 cores

Symbol	Stations	Note
02	2 stations	Double wiring*1
⋮	⋮	
16	16 stations	
02	2 stations	Specified layout*2 (Up to 32 solenoids available)
⋮	⋮	
24	24 stations	

L2□: 17 cores

Symbol	Stations	Note
02	2 stations	Double wiring*1
⋮	⋮	
08	8 stations	
02	2 stations	Specified layout*2 (Up to 16 solenoids available)
⋮	⋮	
16	16 stations	

L3□: 9 cores

Symbol	Stations	Note
02	2 stations	Double wiring*1
⋮	⋮	
4	4 stations	
02	2 stations	Specified layout*2 (Up to 8 solenoids available)
⋮	⋮	
08	8 stations	

- *1 Double wiring: 2-position single, double, 3-position, and 4-position valves can be used on all manifold stations. The use of a 2-position single solenoid will result in an unused control signal. If this is not desired, order with a specified layout.
- *2 Specified layout: Indicate the wiring specifications on the manifold specification sheet. (Note that 2-position double, 3-position, and 4-position valves cannot be used where single wiring has been specified.)
- *3 This also includes the number of blanking plates.

⑨ Mounting and Option

Symbol	Mounting
Nil	Direct mounting
D□	DIN rail mounting

- * Enter the number of stations inside □ when it is larger than the number of valve stations. (Refer to "DIN Rail Option" shown below.)
- * Refer to page 160 for details on securing the DIN rail mounting type manifold.

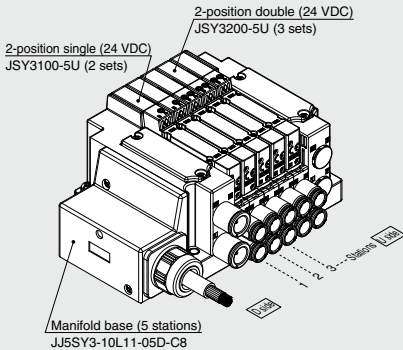
DIN Rail Option

Nil	DIN rail mounting (With DIN rail)
0	DIN rail mounting (Without DIN rail)
3	For 3 stations
⋮	⋮
24	For 24 stations

Specify a length longer than that of the standard rail.

How to Order Manifold Assembly

Example (JJ5SY3-10L11-□)



JJ5SY3-10L11-05D-C8- 1 set (Type 10 5-station manifold base part no.)
 * JSY3100-5U 2 sets (2-position single part no.)
 * JSY3200-5U 3 sets (2-position double part no.)
 The asterisk denotes the symbol for the assembly.
 Prefix it to the part numbers of the valve, etc.

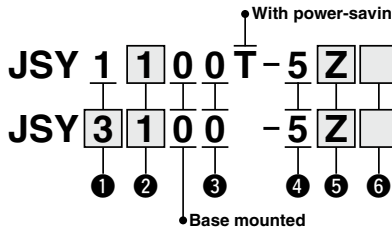
- For the valve arrangement, the valve closest to the D side is considered the 1st station.
- Under the manifold part number, state the valves to be mounted in order starting with the 1st station as shown in the figure. If the arrangement becomes too complicated, specify the details on a manifold specification sheet.

Internal Pilot

How to Order Valves (With mounting screw)

Refer to page 34 for valve specifications.

JSY1000 Series
JSY3000/5000 Series



Made to Order
 (Refer to page 156 for details.)

Specification
With power-saving circuit (Continuous duty type): 0.1 W (JSY3000/5000)
External pilot

1 Series

1	JSY1000
3	JSY3000
5	JSY5000

3 Pilot valve exhaust method

0	Pilot valve individual exhaust
---	--------------------------------

4 Rated voltage

5	24 VDC
---	--------

2 Type of actuation

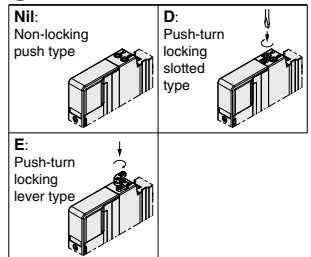
1	2-position	Single
2		Double
3	3-position	Closed center
4		Exhaust center
5		Pressure center
A	4-position dual 3-port	N.C./N.C.
B		N.O./N.O.
C		N.C./N.O.

5 Light/surge voltage suppressor and common specification

Symbol	With light	Surge voltage suppressor	Common specification
U			Non-polar
Z	●	●	Positive common
NZ			Negative common

- * Only "Z" and "NZ" types are available for the JSY1000 series.
- * When the non-polar common specification type is selected, take measures to prevent surge voltage. For details, refer to page 159.

6 Manual override



* Push-turn locking lever type "E" is not available for the JSY1000.

* **When ordering a valve individually, the base gasket is not included.** Since the base gasket is attached to the manifold, please order the base gasket separately if it is needed for maintenance. Refer to page 137 for base gasket and mounting screw part numbers.

⚠ Caution

If the JSY3000/5000 series is to be continuously energized, please be sure to select the power-saving circuit (continuous duty type) specification. Refer to "Made to Order" on page 156. For the JSY1000 series, only the power-saving circuit specification is available.

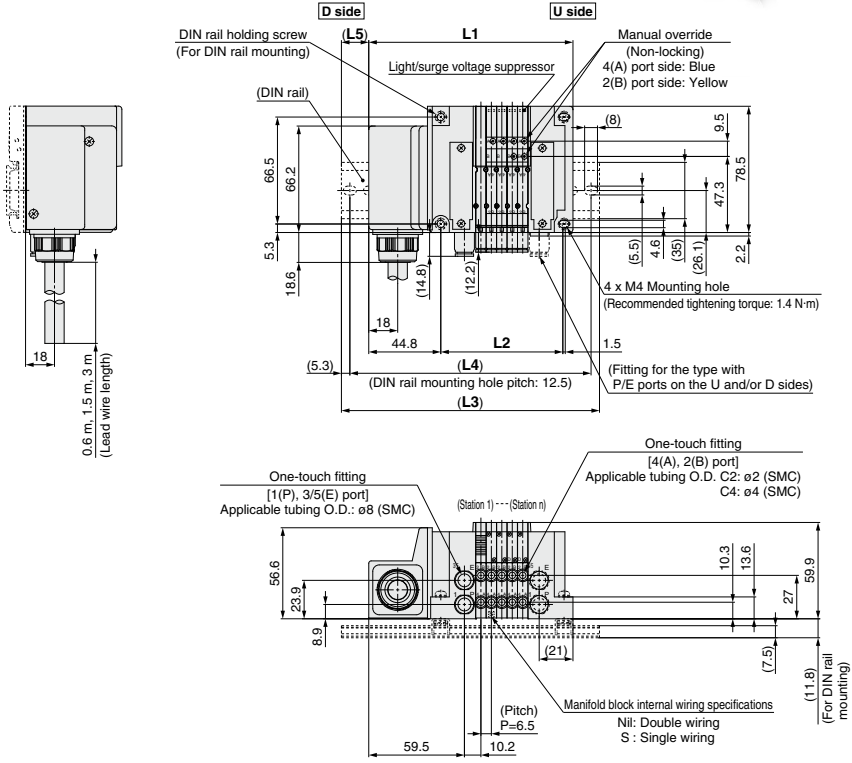
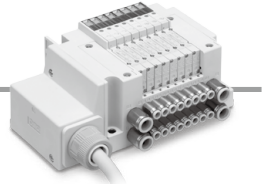
Protective class class III (Mark: ⚡)

JSY1000/3000/5000 Series

Type 10/Side Ported (Applicable to ø2 and ø4 fittings)
Lead Wire

Dimensions: JSY1000 Series

JJ5SY1-10L $\frac{1}{3}$ □ - Stations $\frac{U}{D}$ - C $\frac{2}{4}$ (D)



- * These figures show the "JJ5SY1-10L1□-05D-C4."
- * Refer to page 118 for dimensions of external pilot (Made to Order) and silencer.
- * When CM is selected for mixed A, B port size and C6 (9 mm pitch) is included, refer to page 121 for dimensions.

L: Dimensions

L \ n	2	3	4	5	6	7	8	9	10	11	12	13	14	15	16
L1	107.5	114	120.5	127	133.5	140	146.5	153	159.5	166	172.5	179	185.5	192	198.5
L2	56.4	62.9	69.4	75.9	82.4	88.9	95.4	101.9	108.4	114.9	121.4	127.9	134.4	140.9	147.4
L3	135.5	148	148	160.5	160.5	173	173	185.5	185.5	198	198	210.5	210.5	223	223
L4	125	137.5	137.5	150	150	162.5	162.5	175	175	187.5	187.5	200	200	212.5	212.5
L5	14	17	14	17	13.5	16.5	13.5	16.5	13	16	13	16	12.5	15.5	12.5

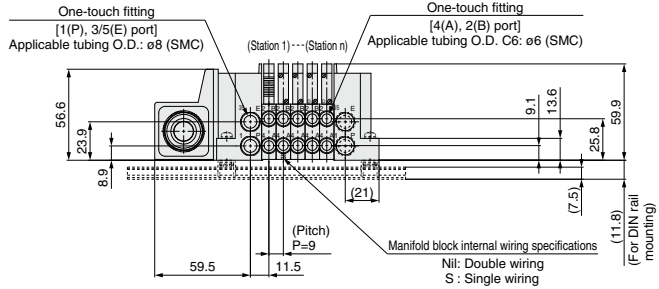
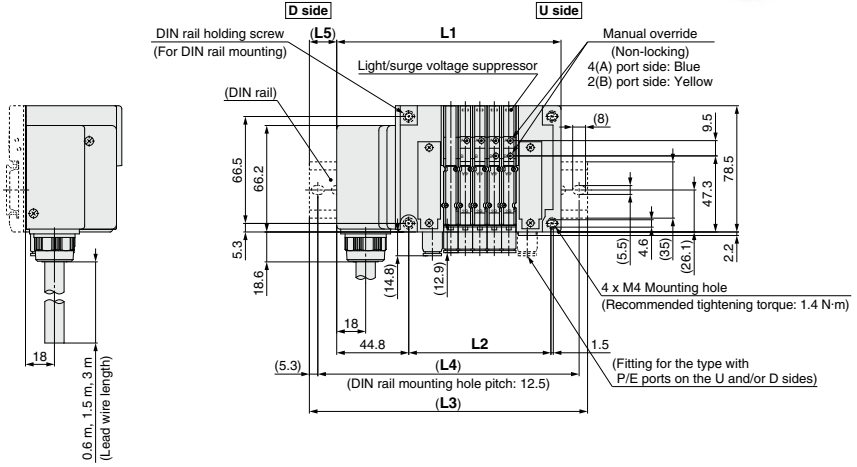
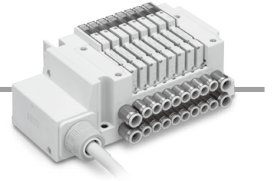
L \ n	17	18	19	20	21	22	23	24
L1	205	211.5	218	224.5	231	237.5	244	250.5
L2	153.9	160.4	166.9	173.4	179.9	186.4	192.9	199.4
L3	235.5	235.5	248	248	260.5	273	273	285.5
L4	225	225	237.5	237.5	250	262.5	262.5	275
L5	15.5	12	15	12	15	18	14.5	17.5



Type 10/Side Ported (Applicable to ø6 fittings)
Lead Wire

Dimensions: **JSY1000 Series**

JJ5SY1-10L $\frac{1}{3}$ □ - Stations $\frac{U}{D}$ - C6(D)



- * These figures show the "JJ5SY1-10L1□-05D-C6."
- * Refer to page 118 for dimensions of external pilot (Made to Order) and silencer.
- * When CM is selected for mixed A, B port size, refer to page 121 for dimensions.

L: Dimensions

n: Stations

L \ n	2	3	4	5	6	7	8	9	10	11	12	13	14	15	16
L1	112.5	121.5	130.5	139.5	148.5	157.5	166.5	175.5	184.5	193.5	202.5	211.5	220.5	229.5	238.5
L2	61.4	70.4	79.4	88.4	97.4	106.4	115.4	124.4	133.4	142.4	151.4	160.4	169.4	178.4	187.4
L3	148	148	160.5	173	173	185.5	198	210.5	210.5	223	235.5	235.5	248	260.5	273
L4	137.5	137.5	150	162.5	162.5	175	187.5	200	200	212.5	225	225	237.5	250	262.5
L5	18	13.5	15	17	12.5	14	16	17.5	13	15	16.5	12	14	15.5	17.5

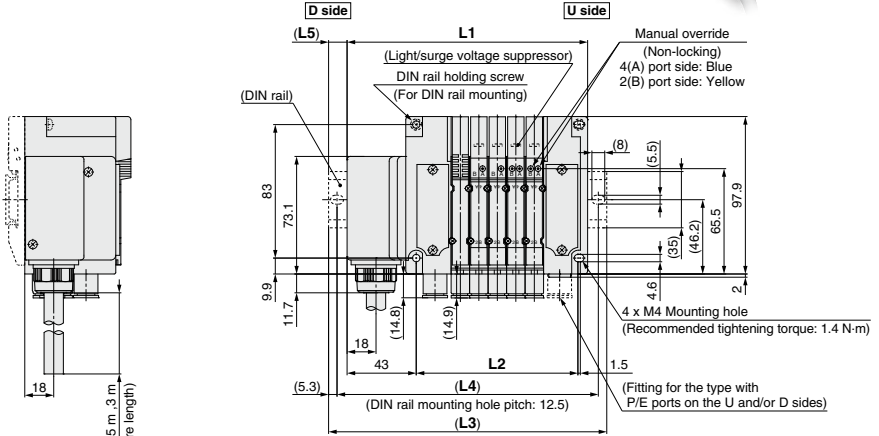
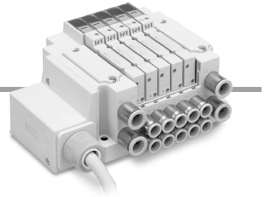
L \ n	17	18	19	20	21	22	23	24
L1	247.5	256.5	265.5	274.5	283.5	292.5	301.5	310.5
L2	196.4	205.4	214.4	223.4	232.4	241.4	250.4	259.4
L3	273	285.5	298	298	310.5	323	335.5	335.5
L4	262.5	275	287.5	287.5	300	312.5	325	325
L5	13	14.5	16.5	12	13.5	15.5	17	12.5

JSY1000/3000/5000 Series

Type 10/Side Ported
Lead Wire

Dimensions: JSY3000 Series

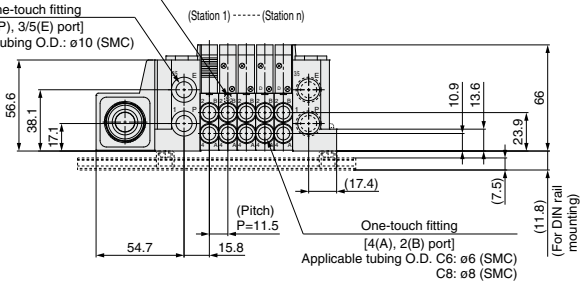
JJ5SY3-10L $\frac{1}{3}$ □ - Stations $\frac{U}{D}$ - C8 (D)



Manifold block internal wiring specifications

Nil: Double wiring
S: Single wiring

One-touch fitting
[1(P), 3/5(E) port]
Applicable tubing O.D.: ø10 (SMC)



* These figures show the "JJ5SY3-10L□-05D-C8."

* Refer to page 119 for dimensions of external pilot (Made to Order) and silencer.

L: Dimensions

n: Stations

L \ n	2	3	4	5	6	7	8	9	10	11	12	13	14	15	16
L1	115.1	126.6	138.1	149.6	161.1	172.6	184.1	195.6	207.1	218.6	230.1	241.6	253.1	264.6	276.1
L2	66.1	77.6	89.1	100.6	112.1	123.6	135.1	146.6	158.1	169.6	181.1	192.6	204.1	215.6	227.1
L3	148	160.5	173	173	185.5	198	210.5	223	235.5	248	260.5	273	285.5	298	310.5
L4	137.5	150	162.5	162.5	175	187.5	200	212.5	225	237.5	250	262.5	275	287.5	300
L5	16.5	17	17.5	11.5	12	12.5	13	13.5	14	14.5	15	15.5	16	16.5	17

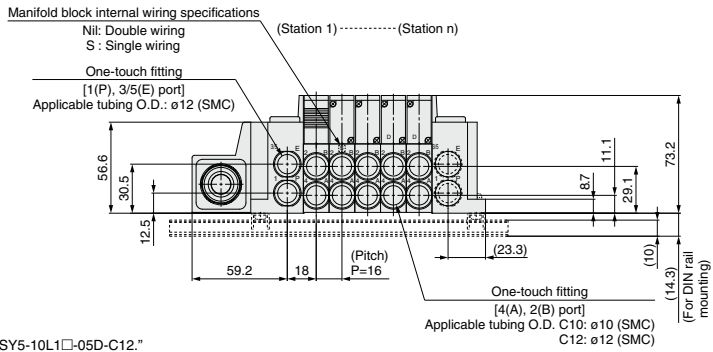
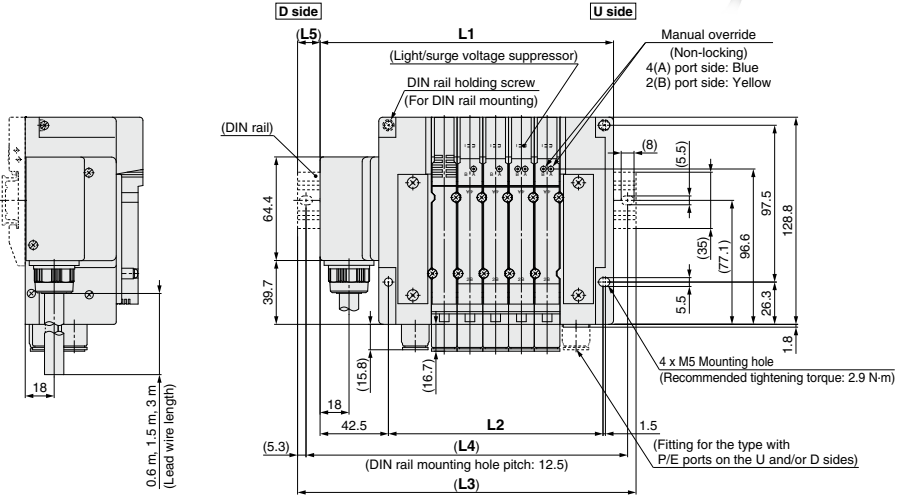
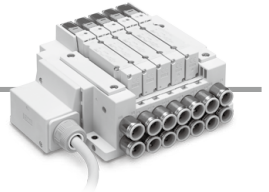
L \ n	17	18	19	20	21	22	23	24
L1	287.6	299.1	310.6	322.1	333.6	345.1	356.6	368.1
L2	238.6	250.1	261.6	273.1	284.6	296.1	307.6	319.1
L3	323	323	335.5	348	360.5	373	385.5	398
L4	312.5	312.5	325	337.5	350	362.5	375	387.5
L5	17.5	12	12.5	13	13.5	14	14.5	15

Type 10/Side Ported

Lead Wire

Dimensions: **JSY5000 Series**

JJ5SY5-10L $\frac{1}{3}$ □ - Stations $\frac{U}{D}$ - C $\frac{10}{12}$ (D)



* These figures show the "JJ5SY5-10L1□-05D-C12."
 * Refer to page 120 for dimensions of external pilot (Made to Order) and silencer.

L: Dimensions

L \ n	2	3	4	5	6	7	8	9	10	11	12	13	14	15	16
L1	134.5	150.5	166.5	182.5	198.5	214.5	230.5	246.5	262.5	278.5	294.5	310.5	326.5	342.5	358.5
L2	85.5	101.5	117.5	133.5	149.5	165.5	181.5	197.5	213.5	229.5	245.5	261.5	277.5	293.5	309.5
L3	173	185.5	198	210.5	235.5	248	260.5	285.5	298	310.5	323	348	360.5	373	398
L4	162.5	175	187.5	200	225	237.5	250	275	287.5	300	312.5	337.5	350	362.5	387.5
L5	19.5	17.5	16	14	18.5	17	15	19.5	18	16	14.5	19	17	15.5	20

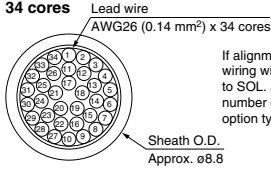
L \ n	17	18	19	20	21	22	23	24
L1	374.5	390.5	406.5	422.5	438.5	454.5	470.5	486.5
L2	325.5	341.5	357.5	373.5	389.5	405.5	421.5	437.5
L3	410.5	423	435.5	460.5	473	485.5	510.5	523
L4	400	412.5	425	450	462.5	475	500	512.5
L5	18	16.5	14.5	19	17.5	15.5	20	18.5

JSY1000/3000/5000 Series

Electrical Wiring Specifications

Lead wire

34 cores



If alignment is not specified, the internal wiring will be double wiring (connected to SOL. a and SOL. b) regardless of number of stations, valve types, and option types.

Electrical characteristics

Item	Property
Conductor resistance $\Omega/\text{km}, 20^\circ\text{C}$	143 or less
Voltage limit V, 1 minute, AC	2000
Insulation resistance $\text{M}\Omega/\text{km}, 20^\circ\text{C}$	10 or more

* Cannot be used for movable wiring
The minimum bending radius of the cable is 55 mm.

Station	Lead wire no.	Polarity	Printed mark (Both sides)		
			Type	Color	
Station 1	SOL.a	1 (-)	(+)	Orange	Red
	SOL.b	2 (-)	(+)	---	Black
Station 2	SOL.a	3 (-)	(+)	Light gray	Red
	SOL.b	4 (-)	(+)	---	Black
Station 3	SOL.a	5 (-)	(+)	White	Red
	SOL.b	6 (-)	(+)	---	Black
Station 4	SOL.a	7 (-)	(+)	Yellow	Red
	SOL.b	8 (-)	(+)	---	Black
Station 5	SOL.a	9 (-)	(+)	Pink	Red
	SOL.b	10 (-)	(+)	---	Black
Station 6	SOL.a	11 (-)	(+)	Orange	Red
	SOL.b	12 (-)	(+)	---	Black
Station 7	SOL.a	13 (-)	(+)	Light gray	Red
	SOL.b	14 (-)	(+)	---	Black
Station 8	SOL.a	15 (-)	(+)	White	Red
	SOL.b	16 (-)	(+)	---	Black
Station 9	SOL.a	17 (-)	(+)	Yellow	Red
	SOL.b	18 (-)	(+)	---	Black
Station 10	SOL.a	19 (-)	(+)	Pink	Red
	SOL.b	20 (-)	(+)	---	Black
Station 11	SOL.a	21 (-)	(+)	Orange	Red
	SOL.b	22 (-)	(+)	---	Black
Station 12	SOL.a	23 (-)	(+)	Light gray	Red
	SOL.b	24 (-)	(+)	---	Black
Station 13	SOL.a	25 (-)	(+)	White	Red
	SOL.b	26 (-)	(+)	---	Black
Station 14	SOL.a	27 (-)	(+)	Yellow	Red
	SOL.b	28 (-)	(+)	---	Black
Station 15	SOL.a	29 (-)	(+)	Pink	Red
	SOL.b	30 (-)	(+)	---	Black
Station 16	SOL.b	31 (-)	(+)	Orange	Red
	SOL.b	32 (-)	(+)	---	Black
	COM	33 (+)	(-)	Light gray	Red
	COM	34 (+)	(-)	---	Black

Positive common Negative common

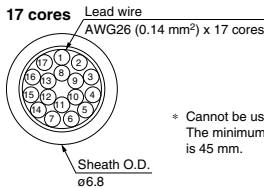
* For negative common specification, a valve for negative common or a valve without polarity should be used.

Specified Layout

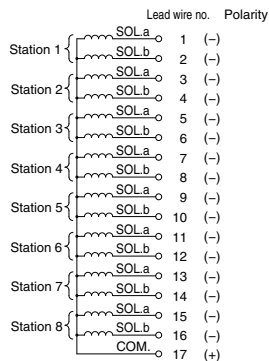
A mixture of single and double wiring can be specified on the manifold specification sheet. The maximum number of stations is determined according to the number of solenoids. The total number of solenoids should be 32 or less. 1 solenoid is required for the 2-position single, and 2 solenoids for the 2-position double, 3-position, and 4-position.

Electrical Wiring Specifications

Lead wire



* Cannot be used for movable wiring
The minimum bending radius of the cable is 45 mm.



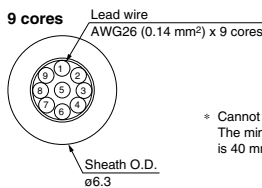
Positive common **Negative common**

* For negative common specification, a valve for negative common or a valve without polarity should be used.

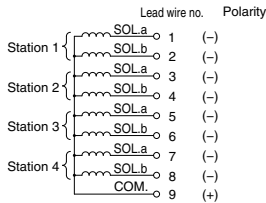
Lead wire color	Printed mark (Both sides)	
	Type	Color
Orange	—	Red
	—	Black
Light gray	—	Red
	—	Black
White	—	Red
	—	Black
Yellow	—	Red
	—	Black
Pink	—	Red
	—	Black
Orange	—	Red
	—	Black
Light gray	—	Red
	—	Black
White	—	Red
	—	Black
Yellow	—	Red
	—	Red

Electrical characteristics

Item	Property
Conductor resistance Ω/km , 20°C	143 or less
Voltage limit V, 1 minute, AC	2000
Insulation resistance $\text{M}\Omega/\text{km}$, 20°C	10 or more



* Cannot be used for movable wiring
The minimum bending radius of the cable is 40 mm.



Positive common **Negative common**

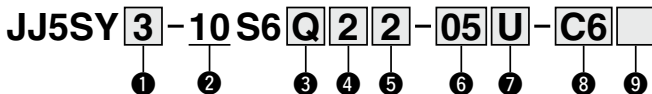
Lead wire color	Printed mark (Both sides)	
	Type	Color
Orange	—	Red
	—	Black
Light gray	—	Red
	—	Black
White	—	Red
	—	Black
Yellow	—	Red
	—	Black
Pink	—	Red
	—	Red

JSY1000/3000/5000 Series

EtherCAT compatible products (● Kit type/Symbol: D) are to be discontinued as of October 2022.
As a substitute, please consider the use of an EX260 series product (SI unit specification/Symbol: DA). However, keep in mind that the product specifications, external appearance, etc., differ. For details, please contact your SMC sales representative.

Internal Pilot

How to Order Manifolds



Made to Order
(Refer to page 156 for details.)

Specification
External pilot (SUP/EXH block assembly)

1 Series

1	JSY1000
3	JSY3000
5	JSY5000

2 Type

10	Side ported
-----------	-------------

3 SI unit

Q	Without SI unit
0	DeviceNet® (Version A)
N	PROFIBUS DP (Version A)
V	CC-Link
EA	EtherNet/IP™ (2 ports)
D	EtherCAT
F	PROFINET
FA	PROFINET (IO-Link unit)
WE	EtherNet/IP™ compatible wireless base*1
WF	PROFINET compatible wireless base*1
WS	Wireless remote*1

- *1 The wireless system is suitable for use only in a country where it is in accordance with the Radio Act and regulations of that country.
- * I/O unit cannot be mounted without SI unit.
- * Valve plate which connects manifold and SI unit is included, but it is not mounted to a valve without SI unit. For mounting, refer to the EX600 series on page 129.

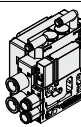
7 P, E port entry, SUP/EXH block assembly

P, E port entry	Internal pilot	Internal pilot, Built-in silencer
U side (2 to 10 stations)	U	C
D side (2 to 10 stations)	D	E
Both sides (2 to 24 stations)	B	F

- * The 3/5(E) port is plugged for the built-in silencer type.
- * When the built-in silencer type is used, keep the exhaust port from coming into direct contact with water or other liquids.
- * The external pilot specification should be ordered as Made to Order. For details, refer to page 156.

8 A, B port size (Metric/One-touch fitting)

Symbol	A, B port	JSY1000	JSY3000	JSY5000
C2	ø2	●	—	—
C4	ø4	●	—	—
C6	ø6	●	●	—
C8	ø8	—	●	—
C10	ø10	—	—	●
C12	ø12	—	—	●
CM *1	Straight port, mixed sizes	●	●	●
P, E port size (One-touch fittings)		ø8	ø10	ø12



- *1 Indicate the sizes on the manifold specification sheet in the case of "CM."
- * The JSY1000 manifold pitch for C2 and C4 is 6.5 mm, and 9 mm for C6. When CM is selected, the manifold pitch is different depending on the selected fitting.

4 SI unit output polarity, End plate type (Part no.)

SI unit output polarity	M12 power supply connector 8-coded (EX600-ED2)		7/8 inch power supply connector (EX600-ED3)		M12 power supply connector I/NO, A-coded	
			Pin arrangement 1 (EX600-ED4)		Pin arrangement 2 (EX600-ED5)	
Without SI unit	Nil					
SI unit positive common	2	3	6	8		
SI unit negative common	4	5	7	9		

- * Ensure a match with the common specification of the valve to be used.
- * When not selecting an SI unit, the symbol will be "nil."

5 I/O unit stations

Nil	None
1	1 station
⋮	⋮
9	9 stations

- * When not selecting an SI unit, the symbol will be "nil."
- * SI unit is not included in I/O unit stations.
- * When I/O unit is selected, it is shipped separately, and assembled by users. Refer to the attached operation manual for mounting.

6 Valve stations

Symbol	Stations	Note
02	2 stations	Double wiring*1
⋮	⋮	
16	16 stations	Specified layout*2 (Up to 32 solenoids available)
02	2 stations	
⋮	⋮	
24	24 stations	

- *1 Double wiring: 2-position single, double, 3-position, and 4-position valves can be used on all manifold stations. The use of a 2-position single solenoid will result in an unused control signal. If this is not desired, order with a specified layout.
- *2 Specified layout: Indicate the wiring specifications on the manifold specification sheet. (Note that 2-position double, 3-position, and 4-position valves cannot be used where single wiring has been specified.)
- * This also includes the number of blanking plates.

9 Mounting and Option

Symbol	Mounting
Nil	Direct mounting
D □	DIN rail mounting

- * Enter the number of stations inside □ when it is larger than the number of valve stations. (Refer to "DIN Rail Option" shown below.)
- * Refer to page 160 for details on securing the DIN rail mounting type manifold.

DIN Rail Option

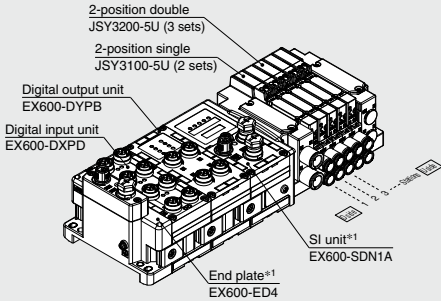
Nil	DIN rail mounting (With DIN rail)
0	DIN rail mounting (Without DIN rail)
3	For 3 stations
⋮	Specify a length longer than that of the standard rail.
24	For 24 stations

- * If the DIN rail must be mounted without an SI unit, select D0. Refer to L3 of the dimensions for the DIN rail length and order separately. (Refer to page 152 for the DIN rail part number.)

For details on the EX600 Integrated Type (For Input/Output) Serial Transmission System, refer to the **Web Catalog** and the **Operation Manual**. For the part numbers of the SI units to be mounted, refer to pages 129 and 130. (IP40 specifications may be required according to the I/O unit to be selected.) Please download the Operation Manual via the SMC website, <https://www.smcworld.com>

How to Order Manifold Assembly

Example (JJ5SY3-10S6□-□)



JJ5SY3-10S6Q72-05D-C8 -- 1 set (Type 10 5-station manifold base part no.)
 * JSY3100-5U 2 sets (2-position single part no.)
 * JSY3200-5U 3 sets (2-position double part no.)
 * EX600-DXPB 1 set I/O unit part number (Station 1)
 * EX600-DYPB 1 set I/O unit part number (Station 2)
 * The asterisk denotes the symbol for the assembly. Prefix it to the part numbers of the valve, etc.

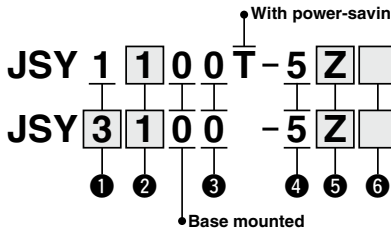
- For the valve arrangement, the valve closest to the D side is considered the 1st station.
- Under the manifold part number, state the valves to be mounted, then the I/O units in order starting with the 1st station as shown in the figure. If the arrangement becomes too complicated, specify the details on a manifold specification sheet.
- *1 Do not enter the SI unit part number and the end plate part number together.

Internal Pilot

How to Order Valves (With mounting screw)

Refer to page 34 for valve specifications.

JSY1000 Series
JSY3000/5000 Series



Made to Order
 (Refer to page 156 for details.)

Specification	
With power-saving circuit (Continuous duty type): 0.1 W (JSY3000/5000)	
External pilot	

1 Series

1	JSY1000
3	JSY3000
5	JSY5000

3 Pilot valve exhaust method

0	Pilot valve individual exhaust
---	--------------------------------

4 Rated voltage

5	24 VDC
---	--------

2 Type of actuation

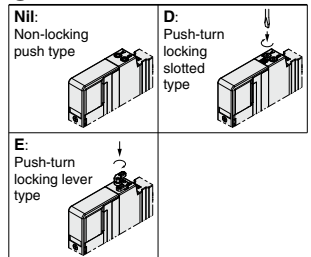
1	Single
2	2-position
3	Double
4	Closed center
5	3-position
	Exhaust center
	Pressure center
A	4-position
	N.C./N.C.
B	dual 3-port
	N.O./N.O.
C	N.C./N.O.

5 Light/surge voltage suppressor and common specification

Symbol	With light	Surge voltage suppressor	Common specification
U			Non-polar
Z	●	●	Positive common
NZ			Negative common

- * Select "U" or "Z" for the valve when the SI unit output polarity is positive common. Select "U" or "NZ" for the valve when the SI unit output polarity is negative common.
- * Only "Z" and "NZ" types are available for the JSY1000 series.
- * When the non-polar common specification type is selected, take measures to prevent surge voltage. For details, refer to page 159.

6 Manual override



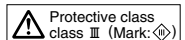
* Push-turn locking lever type "E" is not available for the JSY1000.

* When ordering a valve individually, the base gasket is not included.

Since the base gasket is attached to the manifold, please order the base gasket separately if it is needed for maintenance. Refer to page 137 for base gasket and mounting screw part numbers.

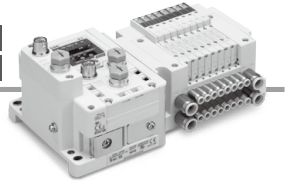
⚠ Caution

If the JSY3000/5000 series is to be continuously energized, please be sure to select the power-saving circuit (continuous duty type) specification. Refer to "Made to Order" on page 156. For the JSY1000 series, only the power-saving circuit specification is available.



JSY1000/3000/5000 Series

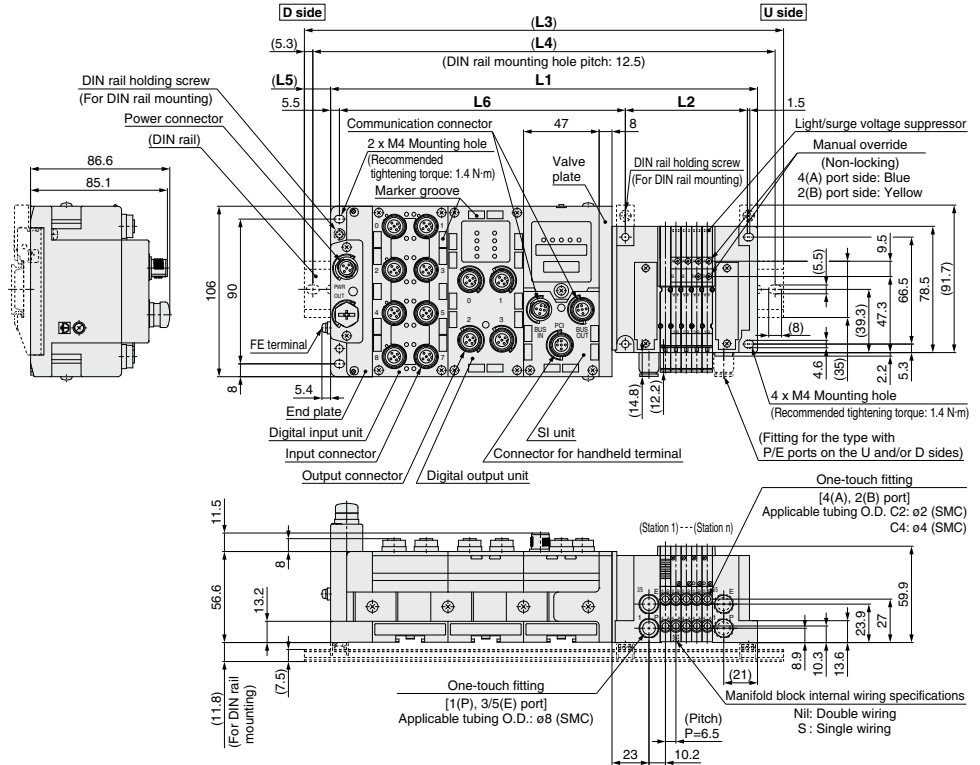
Type 10/Side Ported (Applicable to ø2 and ø4 fittings)
EX600 (M12 Connector)



Dimensions: JSY1000 Series

JJ5SY1-10S6□□ - Stations $\frac{U}{D}$ - $\frac{C2}{C4}$ (D)

$\begin{matrix} 2 \\ 4 \\ 6 \\ 7 \\ 8 \\ 9 \end{matrix}$



$L1 = 6.5 \times n1 + 139 + 47 \times n2$
 $L2 = 6.5 \times n1 + 43.4$
 $L4 = L3 - 10.5$
 $L5 = (L3 - L1) / 2$
 $L6 = 47 \times n2 + 83.8$

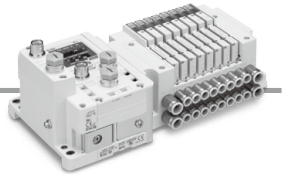
n1: Valve stations
n2: I/O unit stations

- * These figures show the "JJ5SY1-10S6Q22-05D-C4"
- * Refer to page 118 for dimensions of external pilot (Made to Order) and silencer.
- * When CM is selected for mixed A, B port size and C6 (9 mm pitch) is included, refer to page 121 for dimensions.

L3: DIN Rail Overall Length

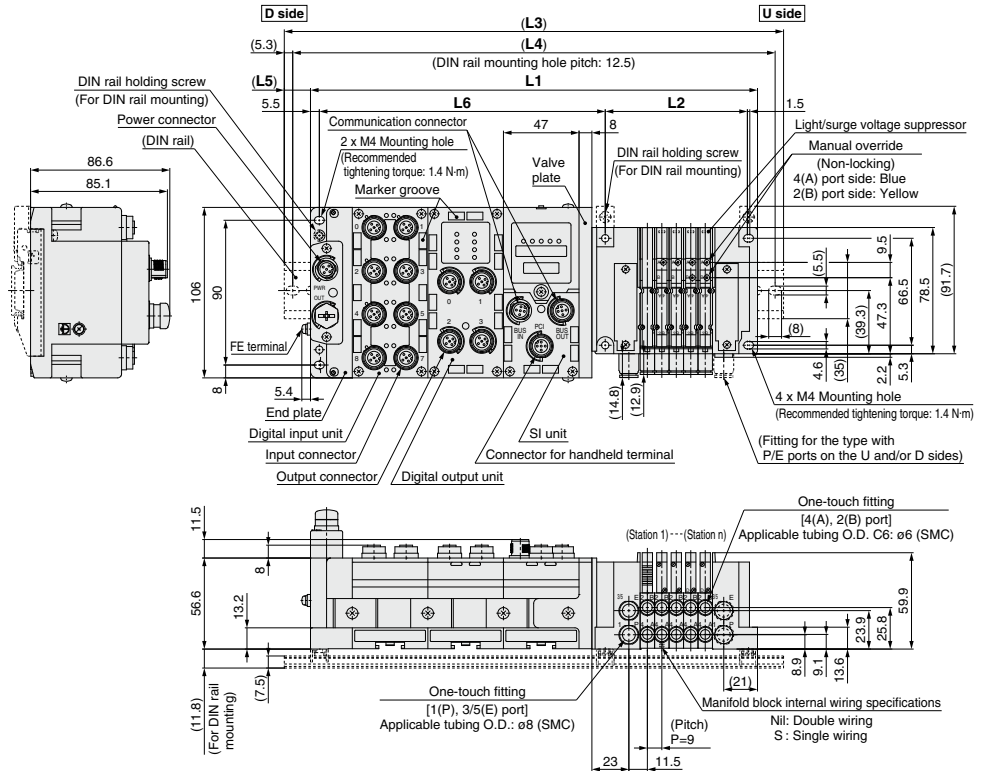
Valve stations (n1) I/O unit stations (n2)	2	3	4	5	6	7	8	9	10	11	12	13	14	15	16	17	18	19	20	21	22	23	24	
0	185.5	185.5	198	198	210.5	210.5	223	223	235.5	235.5	248	248	260.5	260.5	273	273	285.5	298	298	310.5	310.5	323	323	
1	223	235.5	235.5	248	260.5	260.5	273	273	285.5	285.5	298	298	310.5	310.5	323	323	335.5	335.5	348	348	360.5	360.5	373	373
2	273	285.5	285.5	298	298	310.5	310.5	323	323	335.5	335.5	348	348	360.5	360.5	373	385.5	385.5	398	398	410.5	410.5	423	423
3	323	323	335.5	348	348	360.5	360.5	373	373	385.5	385.5	398	398	410.5	410.5	423	423	435.5	435.5	448	448	460.5	460.5	460.5
4	373	373	385.5	385.5	398	398	410.5	410.5	423	423	435.5	435.5	448	448	460.5	473	473	485.5	485.5	498	498	510.5	510.5	510.5
5	410.5	423	435.5	435.5	448	448	460.5	460.5	473	473	485.5	485.5	498	498	510.5	510.5	523	523	535.5	535.5	548	548	560.5	560.5
6	460.5	473	473	485.5	485.5	498	498	510.5	510.5	523	523	535.5	535.5	548	560.5	560.5	573	573	585.5	585.5	598	598	610.5	610.5
7	510.5	523	523	535.5	535.5	548	548	560.5	560.5	573	573	585.5	585.5	598	598	610.5	610.5	623	623	635.5	635.5	648	648	648
8	560.5	560.5	573	573	585.5	585.5	598	598	610.5	610.5	623	623	635.5	648	648	660.5	660.5	673	673	685.5	685.5	698	698	698
9	610.5	610.5	623	623	635.5	635.5	648	648	660.5	660.5	673	673	685.5	685.5	698	698	710.5	710.5	723	723	735.5	735.5	748	748

Type 10/Side Ported (Applicable to ø6 fittings)
EX600 (M12 Connector)



Dimensions: **JSY1000 Series**

JJ5SY1-10S6□□ - Stations $\frac{U}{D}$ - C6(D)



$L1 = 9 \times n1 + 139 + 47 \times n2$
 $L2 = 9 \times n1 + 43.4$
 $L4 = L3 - 10.5$
 $L5 = (L3 - L1) / 2$
 $L6 = 47 \times n2 + 83.8$

n1: Valve stations
n2: I/O unit stations

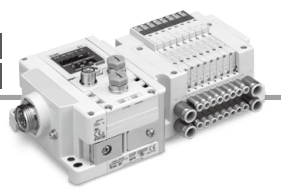
* These figures show the "JJ5SY1-10S6Q22-05D-C6."
* Refer to page 118 for dimensions of external pilot (Made to Order) and silencer.
* When CM is selected for mixed A, B port size, refer to page 121 for dimensions.

L3: DIN Rail Overall Length

Valve stations (n1) I/O unit stations (n2)	2	3	4	5	6	7	8	9	10	11	12	13	14	15	16	17	18	19	20	21	22	23	24
0	185.5	198	210.5	210.5	223	235.5	235.5	248	260.5	273	273	285.5	298	298	310.5	323	335.5	335.5	348	360.5	360.5	373	385.5
1	235.5	248	248	260.5	273	273	285.5	298	310.5	310.5	323	335.5	335.5	348	360.5	373	373	385.5	398	410.5	410.5	423	435.5
2	285.5	285.5	298	310.5	310.5	323	335.5	348	348	360.5	373	385.5	385.5	398	410.5	410.5	423	435.5	448	448	460.5	473	473
3	323	335.5	348	360.5	360.5	373	385.5	385.5	398	410.5	423	423	435.5	448	448	460.5	473	485.5	485.5	498	510.5	510.5	523
4	373	385.5	398	398	410.5	423	423	435.5	448	460.5	460.5	473	485.5	485.5	498	510.5	523	523	535.5	548	560.5	560.5	573
5	423	435.5	435.5	448	460.5	460.5	473	485.5	498	498	510.5	523	535.5	535.5	548	560.5	560.5	573	585.5	598	598	610.5	623
6	473	473	485.5	498	510.5	510.5	523	535.5	535.5	548	560.5	573	573	585.5	598	598	610.5	623	635.5	635.5	648	660.5	660.5
7	510.5	523	535.5	548	548	560.5	573	573	585.5	598	610.5	610.5	623	635.5	635.5	648	660.5	673	673	685.5	698	710.5	710.5
8	560.5	573	585.5	585.5	598	610.5	610.5	623	635.5	648	648	660.5	673	685.5	685.5	698	710.5	710.5	723	735.5	748	748	760.5
9	610.5	623	623	635.5	648	660.5	660.5	673	685.5	685.5	698	710.5	723	723	735.5	748	748	760.5	773	785.5	785.5	798	810.5

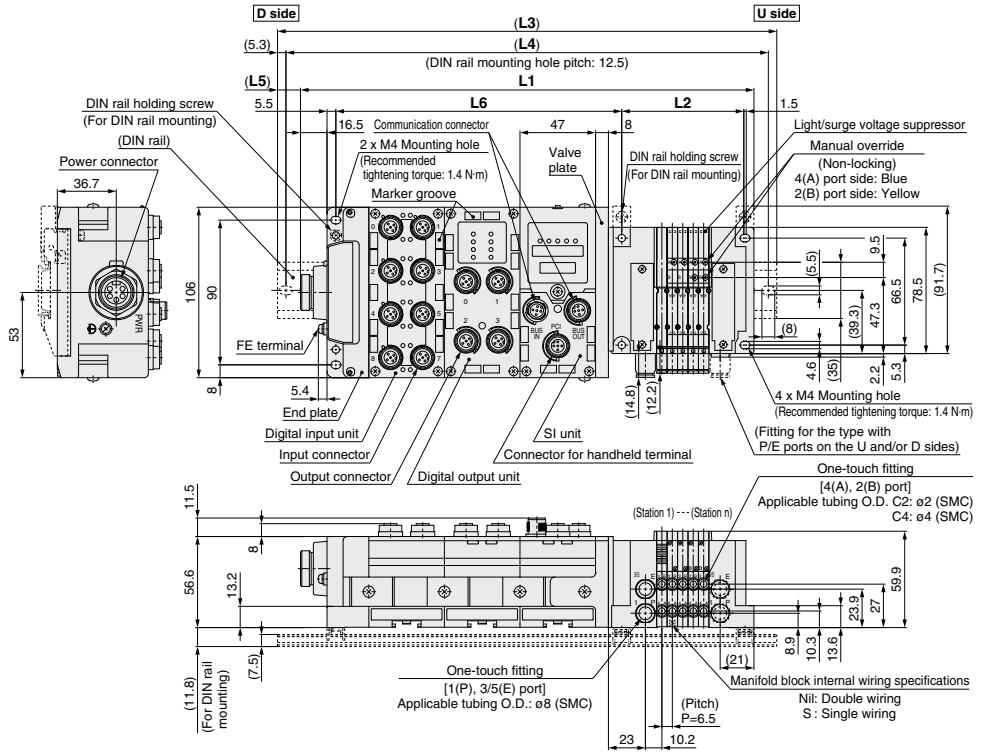
JSY1000/3000/5000 Series

Type 10/Side Ported (Applicable to e2 and e4 fittings)
EX600 (7/8 Inch Connector)



Dimensions: JSY1000 Series

JJ5SY1-10S6 □ $\frac{3}{8}$ □ - Stations $\frac{U}{D}$ - C₂ (D)



$L1 = 6.5 \times n1 + 155.5 + 47 \times n2$
 $L2 = 6.5 \times n1 + 43.4$
 $L4 = L3 - 10.5$
 $L5 = (L3 - L1) / 2$
 $L6 = 47 \times n2 + 83.8$

n1: Valve stations
n2: I/O unit stations

- * These figures show the "JJ5SY1-10S6Q32-05D-C4."
- * Refer to page 118 for dimensions of external pilot (Made to Order) and silencer.
- * When CM is selected for mixed A, B port size and C6 (9 mm pitch) is included, refer to page 121 for dimensions.

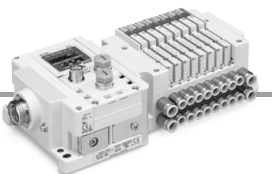
L3: DIN Rail Overall Length

	Valve stations (n1)																							
I/O unit stations (n2)	2	3	4	5	6	7	8	9	10	11	12	13	14	15	16	17	18	19	20	21	22	23	24	
0	198	210.5	210.5	223	223	235.5	235.5	248	248	260.5	260.5	273	273	285.5	285.5	298	298	310.5	310.5	323	323	335.5	335.5	
1	248	248	260.5	260.5	273	273	285.5	285.5	298	298	310.5	310.5	323	323	335.5	335.5	348	348	360.5	360.5	373	373	385.5	385.5
2	298	298	310.5	310.5	323	323	335.5	335.5	348	348	360.5	360.5	373	373	385.5	385.5	398	398	410.5	410.5	423	423	435.5	435.5
3	335.5	348	348	360.5	360.5	373	373	385.5	385.5	398	398	410.5	423	423	435.5	435.5	448	448	460.5	460.5	473	473	485.5	485.5
4	385.5	398	398	410.5	410.5	423	423	435.5	435.5	448	448	460.5	460.5	473	473	485.5	485.5	498	498	510.5	510.5	523	523	535.5
5	435.5	435.5	448	448	460.5	460.5	473	473	485.5	485.5	498	498	510.5	510.5	523	523	535.5	535.5	548	548	560.5	560.5	573	573
6	485.5	485.5	498	498	510.5	510.5	523	523	535.5	535.5	548	548	560.5	560.5	573	573	585.5	585.5	598	598	610.5	610.5	623	623
7	523	535.5	535.5	548	548	560.5	560.5	573	573	585.5	585.5	598	598	610.5	610.5	623	623	635.5	635.5	648	648	660.5	660.5	673
8	573	585.5	585.5	598	598	610.5	610.5	623	623	635.5	635.5	648	648	660.5	660.5	673	673	685.5	685.5	698	698	710.5	710.5	723
9	623	623	635.5	635.5	648	648	660.5	660.5	673	673	685.5	685.5	698	698	710.5	710.5	723	723	735.5	735.5	748	748	760.5	760.5



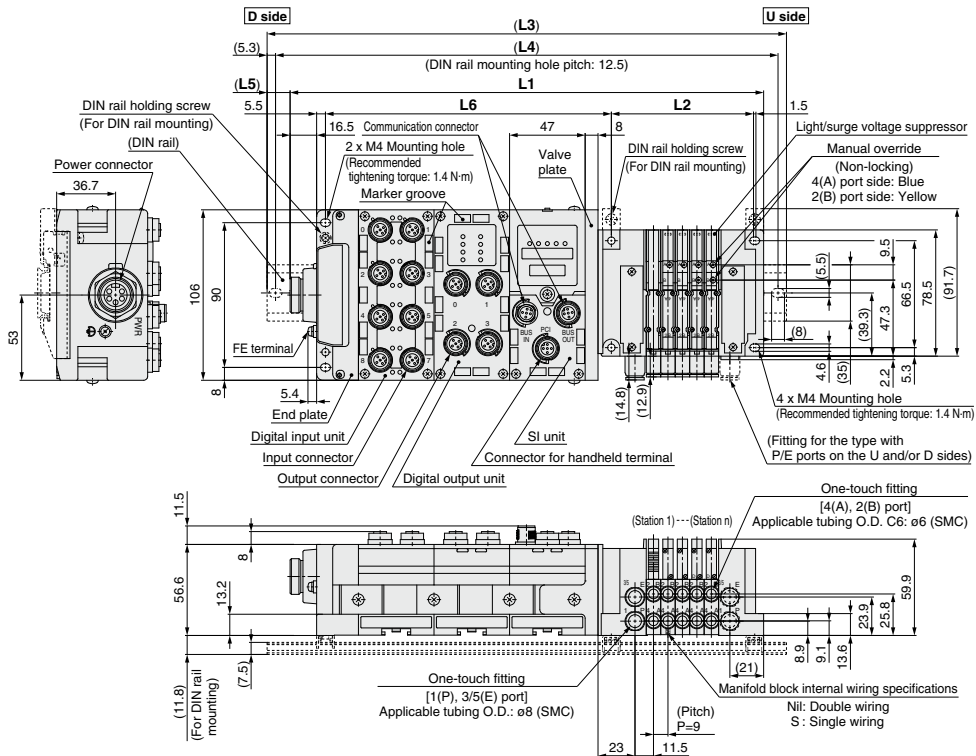
Type 10/Side Ported (Applicable to ø6 fittings)

EX600 (7/8 Inch Connector)



Dimensions: JSY1000 Series

JJ5SY1-10S6□□□ - Stations $\frac{U}{D}$ - C6(D)



$$L1 = 9 \times n1 + 155.5 + 47 \times n2$$

$$L2 = 9 \times n1 + 43.4$$

$$L4 = L3 - 10.5$$

$$L5 = (L3 - L1) / 2$$

$$L6 = 47 \times n2 + 83.8$$

n1: Valve stations
n2: I/O unit stations

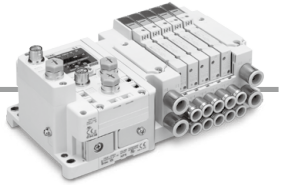
- * These figures show the "JJ5SY1-10S6Q32-05D-C6."
- * Refer to page 118 for dimensions of external pilot (Made to Order) and silencer.
- * When CM is selected for mixed A, B port size, refer to page 121 for dimensions.

L3: DIN Rail Overall Length

Valve stations (n1) I/O unit stations (n2)	2	3	4	5	6	7	8	9	10	11	12	13	14	15	16	17	18	19	20	21	22	23	24
0	198	210.5	223	235.5	235.5	248	260.5	260.5	273	285.5	298	298	310.5	323	323	335.5	348	360.5	360.5	373	385.5	398	398
1	248	260.5	273	273	285.5	298	298	310.5	323	335.5	335.5	348	360.5	373	373	385.5	398	398	410.5	423	435.5	435.5	448
2	298	310.5	310.5	323	335.5	348	348	360.5	373	373	385.5	398	410.5	410.5	423	435.5	448	460.5	460.5	473	473	485.5	498
3	348	348	360.5	373	385.5	385.5	398	410.5	410.5	423	435.5	448	448	460.5	473	473	485.5	498	510.5	510.5	523	535.5	548
4	385.5	398	410.5	423	423	435.5	448	448	460.5	473	485.5	498	510.5	523	523	535.5	548	548	560.5	573	585.5	598	598
5	435.5	448	460.5	460.5	473	485.5	498	498	510.5	523	523	535.5	548	560.5	560.5	573	585.5	598	610.5	610.5	623	635.5	648
6	485.5	498	498	510.5	523	535.5	535.5	548	560.5	560.5	573	585.5	598	598	610.5	623	623	635.5	648	660.5	660.5	673	685.5
7	535.5	535.5	548	560.5	573	573	585.5	598	598	610.5	623	635.5	635.5	648	660.5	673	673	685.5	698	698	710.5	723	735.5
8	573	585.5	598	610.5	610.5	623	635.5	648	648	660.5	673	673	685.5	698	710.5	710.5	723	735.5	735.5	748	760.5	773	773
9	623	635.5	648	648	660.5	673	685.5	685.5	698	710.5	710.5	723	735.5	748	748	760.5	773	773	785.5	798	810.5	810.5	823

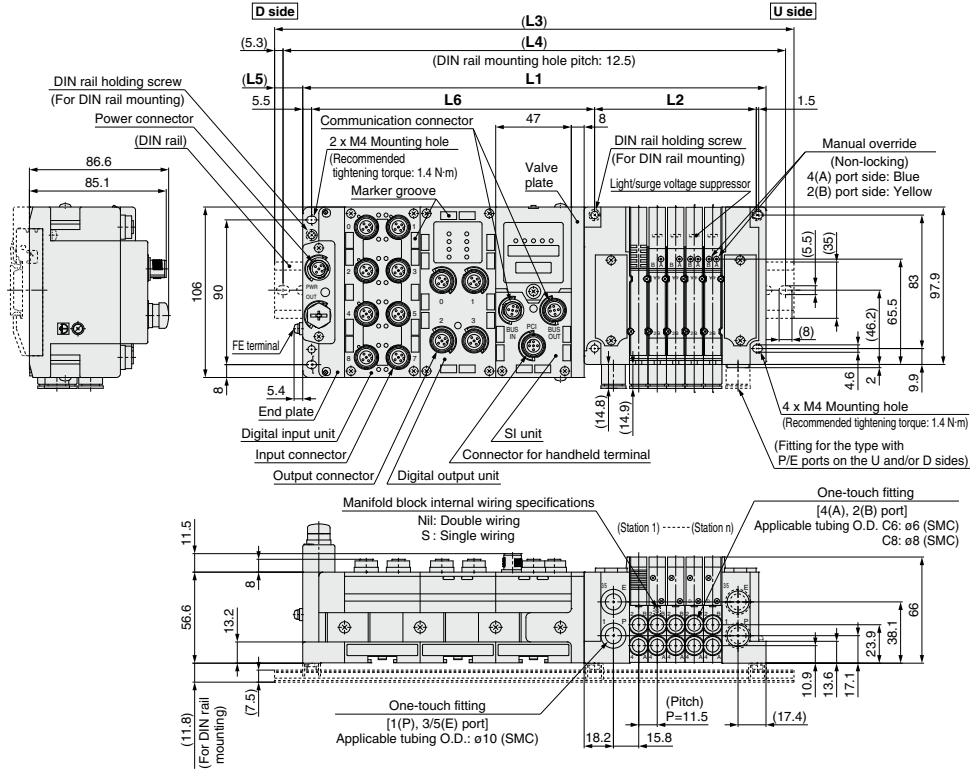
JSY1000/3000/5000 Series

Type 10/Side Ported
EX600 (M12 Connector)



Dimensions: JSY3000 Series

JJ5SY3-10S6□□ - Stations $\frac{U}{D}$ C6 C8 (D)



L1 = 11.5 x n1 + 136.6 + 47 x n2
 L2 = 11.5 x n1 + 43.1
 L4 = L3 - 10.5
 L5 = (L3 - L1) / 2
 L6 = 47 x n2 + 82

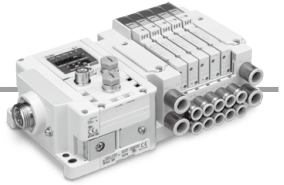
* These figures show the "JJ5SY3-10S6Q22-05D-C8."
 * Refer to page 119 for dimensions of external pilot (Made to Order) and silencer.

n1: Valve stations
 n2: I/O unit stations

L3: DIN Rail Overall Length

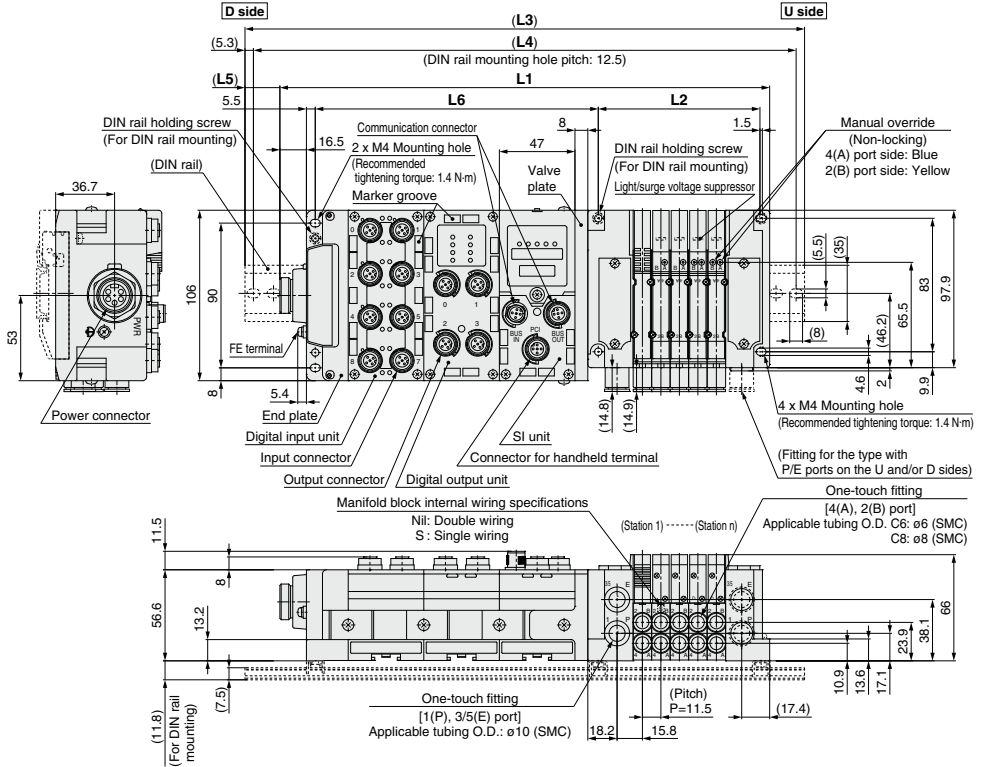
Valve stations (n1) I/O unit stations (n2)	2	3	4	5	6	7	8	9	10	11	12	13	14	15	16	17	18	19	20	21	22	23	24
0	185.5	198	210.5	223	235.5	248	260.5	273	285.5	298	298	310.5	323	335.5	348	360.5	373	385.5	398	410.5	423	435.5	448
1	235.5	248	260.5	273	285.5	298	310.5	310.5	323	335.5	348	360.5	373	385.5	398	410.5	423	435.5	448	460.5	460.5	473	485.5
2	285.5	298	310.5	323	323	335.5	348	360.5	373	385.5	398	410.5	423	435.5	448	460.5	473	473	485.5	498	510.5	523	535.5
3	335.5	335.5	348	360.5	373	385.5	398	410.5	423	435.5	448	460.5	473	485.5	498	510.5	523	535.5	548	560.5	573	585.5	585.5
4	373	385.5	398	410.5	423	435.5	448	460.5	473	485.5	498	498	510.5	523	535.5	548	560.5	573	585.5	598	610.5	623	635.5
5	423	435.5	448	460.5	473	485.5	498	510.5	510.5	523	535.5	548	560.5	573	585.5	598	610.5	623	635.5	648	648	660.5	673
6	473	485.5	498	510.5	523	523	535.5	548	560.5	573	585.5	598	610.5	623	635.5	648	660.5	660.5	673	685.5	698	710.5	723
7	523	535.5	535.5	548	560.5	573	585.5	598	610.5	623	635.5	648	660.5	673	673	685.5	698	710.5	723	735.5	748	760.5	773
8	560.5	573	585.5	598	610.5	623	635.5	648	660.5	673	685.5	685.5	698	710.5	723	735.5	748	760.5	773	785.5	798	810.5	823
9	610.5	623	635.5	648	660.5	673	685.5	698	698	710.5	723	735.5	748	760.5	773	785.5	798	810.5	823	835.5	848	848	860.5

Type 10/Side Ported
EX600 (7/8 Inch Connector)



Dimensions: **JSY3000 Series**

JJ5SY3-10S6 □ □ □ □ - Stations $\frac{D}{B}$ - $\frac{C6}{C8}$ (D)



* These figures show the "JJ5SY3-10S6Q32-05D-C6."
* Refer to page 119 for dimensions of external pilot (Made to Order) and silencer.

L3: DIN Rail Overall Length

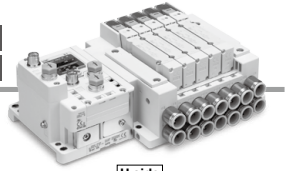
Valve stations (n1) I/O unit stations (n2)	2	3	4	5	6	7	8	9	10	11	12	13	14	15	16	17	18	19	20	21	22	23	24	
0	223	235.5	248	260.5	273	285.5	298	310.5	323	335.5	348	360.5	373	385.5	398	410.5	423	435.5	448	460.5	473	485.5	498	510.5
1	273	285.5	298	310.5	323	335.5	348	360.5	373	385.5	398	410.5	423	435.5	448	460.5	473	485.5	498	510.5	523	535.5	548	560.5
2	310.5	323	335.5	348	360.5	373	385.5	398	410.5	423	435.5	448	460.5	473	485.5	498	510.5	523	535.5	548	560.5	573	585.5	598
3	360.5	373	385.5	398	410.5	423	435.5	448	460.5	473	485.5	498	510.5	523	535.5	548	560.5	573	585.5	598	610.5	623	635.5	648
4	410.5	423	435.5	448	460.5	473	485.5	498	510.5	523	535.5	548	560.5	573	585.5	598	610.5	623	635.5	648	660.5	673	685.5	698
5	460.5	473	485.5	498	510.5	523	535.5	548	560.5	573	585.5	598	610.5	623	635.5	648	660.5	673	685.5	698	710.5	723	735.5	748
6	498	510.5	523	535.5	548	560.5	573	585.5	598	610.5	623	635.5	648	660.5	673	685.5	698	710.5	723	735.5	748	760.5	773	785.5
7	548	560.5	573	585.5	598	610.5	623	635.5	648	660.5	673	685.5	698	710.5	723	735.5	748	760.5	773	785.5	798	810.5	823	835.5
8	598	610.5	623	635.5	648	660.5	673	685.5	698	710.5	723	735.5	748	760.5	773	785.5	798	810.5	823	835.5	848	860.5	873	885.5
9	648	660.5	673	685.5	698	710.5	723	735.5	748	760.5	773	785.5	798	810.5	823	835.5	848	860.5	873	885.5	898	910.5	923	935.5

JSY1000/3000/5000 Series

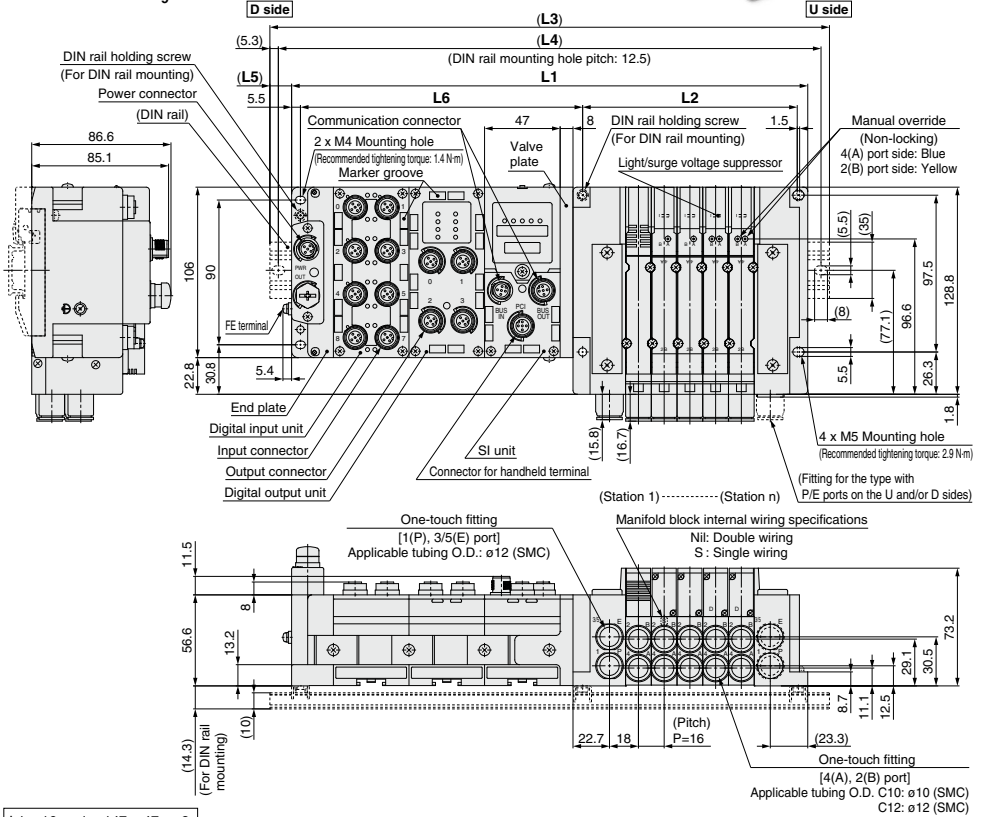
Type 10/Side Ported

Dimensions: JSY5000 Series

EX600 (M12 Connector)



JJ5SY5-10S6□□ - Stations $\frac{U}{D}$ - C12 (D)

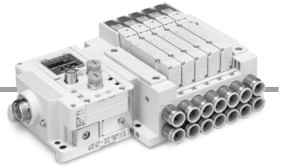


* These figures show the "JJ5SY5-10S6Q22-05D-C12."
 * Refer to page 120 for dimensions of external pilot (Made to Order) and silencer.

L3: DIN Rail Overall Length

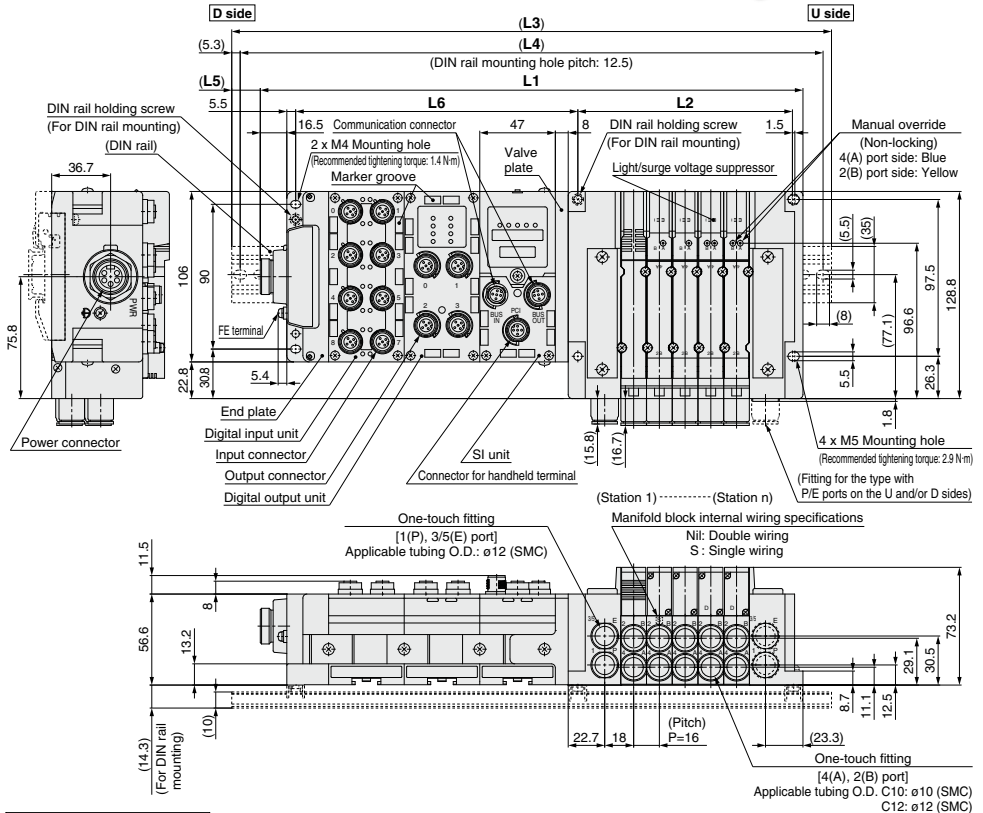
Valve stations (n1) I/O unit stations (n2)	2	3	4	5	6	7	8	9	10	11	12	13	14	15	16	17	18	19	20	21	22	23	24
0	210.5	223	235.5	260.5	273	285.5	310.5	323	335.5	348	373	385.5	398	410.5	435.5	448	460.5	485.5	498	510.5	523	548	560.5
1	260.5	273	285.5	298	323	335.5	348	373	385.5	398	410.5	435.5	448	460.5	485.5	498	510.5	523	548	560.5	573	585.5	610.5
2	298	323	335.5	348	360.5	385.5	398	410.5	435.5	448	460.5	473	498	510.5	523	535.5	560.5	573	585.5	610.5	623	635.5	660.5
3	348	360.5	385.5	398	410.5	435.5	448	460.5	473	498	510.5	523	535.5	560.5	573	585.5	610.5	623	635.5	648	673	685.5	698
4	398	410.5	423	448	460.5	473	498	510.5	523	535.5	560.5	573	585.5	610.5	623	635.5	648	673	685.5	698	710.5	735.5	748
5	448	460.5	473	485.5	510.5	523	535.5	560.5	573	585.5	598	623	635.5	648	673	685.5	698	710.5	735.5	748	760.5	785.5	798
6	485.5	510.5	523	535.5	560.5	573	585.5	598	623	635.5	648	660.5	685.5	698	710.5	735.5	748	760.5	773	798	810.5	823	848
7	535.5	548	573	585.5	598	623	635.5	648	660.5	685.5	698	710.5	735.5	748	760.5	773	798	810.5	823	835.5	860.5	873	885.5
8	585.5	598	610.5	635.5	648	660.5	685.5	698	710.5	723	748	760.5	773	798	810.5	823	835.5	860.5	873	885.5	910.5	923	935.5
9	635.5	648	660.5	685.5	698	710.5	723	748	760.5	773	785.5	810.5	823	835.5	860.5	873	885.5	898	923	935.5	948	973	985.5

Type 10/Side Ported
EX600 (7/8 Inch Connector)



Dimensions: **JSY5000 Series**

JJ5SY5-10S6 □₅ □ - Stations $\frac{D}{B}$ - C12 (D)



$$L1 = 16 \times n1 + 163.5 + 47 \times n2$$

$$L2 = 16 \times n1 + 53.5$$

$$L4 = L3 - 10.5$$

$$L5 = (L3 - L1) / 2$$

$$L6 = 47 \times n2 + 81.5$$

n1: Valve stations
n2: I/O unit stations

* These figures show the "JJ5SY5-10S6Q32-05D-C12."
* Refer to page 120 for dimensions of external pilot (Made to Order) and silencer.

L3: DIN Rail Overall Length

Valve stations (n1) / I/O unit stations (n2)	2	3	4	5	6	7	8	9	10	11	12	13	14	15	16	17	18	19	20	21	22	23	24	
0	223	235.5	260.5	273	285.5	310.5	323	335.5	348	373	385.5	398	423	435.5	448	460.5	485.5	498	510.5	523	548	560.5	573	
1	273	285.5	298	323	335.5	348	373	385.5	398	410.5	435.5	448	460.5	485.5	498	510.5	523	548	560.5	573	598	610.5	623	
2	323	335.5	348	373	385.5	398	410.5	435.5	448	460.5	473	498	498	510.5	523	548	560.5	573	585.5	610.5	623	635.5	660.5	673
3	360.5	385.5	398	410.5	435.5	448	460.5	473	498	510.5	523	548	560.5	573	585.5	610.5	623	635.5	648	673	685.5	698	723	735.5
4	410.5	423	448	460.5	473	498	510.5	523	535.5	560.5	573	585.5	610.5	623	635.5	648	673	685.5	698	723	735.5	748	760.5	760.5
5	460.5	473	498	510.5	523	535.5	560.5	573	585.5	598	623	635.5	648	673	685.5	698	710.5	735.5	748	760.5	785.5	798	810.5	810.5
6	510.5	523	535.5	560.5	573	585.5	598	623	635.5	648	673	685.5	698	710.5	735.5	748	760.5	773	798	810.5	823	848	860.5	860.5
7	548	573	585.5	598	623	635.5	648	660.5	685.5	698	710.5	735.5	748	760.5	773	798	810.5	823	848	860.5	873	885.5	910.5	910.5
8	598	623	635.5	648	660.5	685.5	698	710.5	723	748	760.5	773	798	810.5	823	835.5	860.5	873	885.5	910.5	923	935.5	948	948
9	648	660.5	685.5	698	710.5	723	748	760.5	773	798	810.5	823	835.5	860.5	873	885.5	898	923	935.5	948	973	985.5	—	—

Plug-in Connector Connecting Base

EX245

Type 10/
Side Ported

JSY3000/5000 Series



How to Order Manifolds

JJ5SY **3** - **10** S **AAN** **05** **D** - **C6**

1 2 3 4 5 6 7 8 9

Only direct mounting is selectable for the manifold.



Made to Order
(Refer to page 156 for details.)

Specification
External pilot (SUP/EXH block assembly)

1 Series

3	JSY3000
5	JSY5000

2 Type

10	Side ported
----	-------------

3 SI unit

Symbol (Output polarity) Negative common (PNP)	Protocol	Communication connector	Communication connector specifications
0		Without SI unit	
AAN	PROFINET	Push/Pull (SCRJ): 2 pcs.	Push/Pull (24 V): 2 pcs.
ABN		Push/Pull (RJ45): 2 pcs.	Push/Pull (24 V): 2 pcs.
ACN		M12: 2 pcs.	7/8 inch: 2 pcs.

* The valve output polarity for the SI unit is negative common (PNP).

4 With or without I/O modules

Nil	Without I/O module
Y	With I/O module

* When not selecting an SI unit, the symbol will be "nil."

5 Number of I/O modules

Nil	Without I/O module
1	1 station
:	:
8	8 stations

* When not selecting an SI unit, the symbol will be "nil."

6 Valve stations

Symbol	Stations	Note
02	2 stations	Double wiring*1
:	:	
16	16 stations	Specified layout*2 (Available up to 32 solenoids)
02	2 stations	
:	:	
24	24 stations	

*1 Double wiring: 2-position single, double, 3-position, and 4-position valves can be used on all manifold stations. The use of a 2-position single solenoid will result in an unused control signal. If this is not desired, order with a specified layout

*2 Specified layout: Indicate the wiring specifications on the manifold specification sheet.

(Note that 2-position double, 3-position, and 4-position valves cannot be used where single wiring has been specified.)

* This also includes the number of the blanking plate assembly.

7 P, E port entry

U	U side (2 to 10 stations)
D	D side (2 to 10 stations)
B	Both sides (2 to 24 stations)

8 SUP/EXH block assembly

Nil	Internal pilot
S	Internal pilot, Built-in silencer

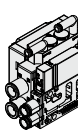
* The 3/5(E) port is plugged for the built-in silencer type.

* When the built-in silencer type is used, keep the exhaust port from coming into direct contact with water or other liquids.

* The external pilot specification should be ordered as Made to Order. For details, refer to page 156.

9 A, B port size (Metric)

Symbol	A, B port	JSY3000	JSY5000
C6	Straight	●	—
C8		●	—
C10		—	●
C12		—	●
CM*1		●	●
P, E port size (One-touch fittings)		ø10	ø12

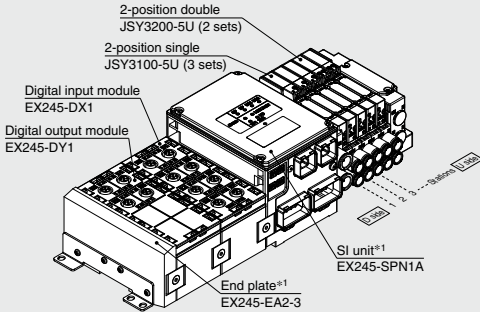


*1 Indicate the sizes on the manifold specification sheet in the case of "CM."

For details on the EX245 Integrated Type (For Input/Output) Serial Transmission System, refer to the **Web Catalog** and the **Operation Manual**. For the part numbers of the SI units to be mounted, refer to page 131. Please download the **Operation Manual** via the SMC website, <https://www.smworld.com>

How to Order Manifold Assembly

Example (JJ5SY3-10SAAN□-□)



JJ5SY3-10SAANY2-05D-C6---1 set (Type 10 5-station manifold base part no.)

- * JSY3100-5U 3 sets (2-position single part no.)
- * JSY3200-5U 2 sets (2-position double part no.)
- * EX245-DX1 1 set I/O module part number
- * EX245-DY1 1 set I/O module part number

The asterisk denotes the symbol for the assembly. Prefix it to the part numbers of the valve, etc.

- For the valve arrangement, the valve closest to the D side is considered the 1st station.
- The I/O module station arrangement is numbered starting from the SI unit side.
- Under the manifold part number, state the valves to be mounted, then the I/O modules in order starting with the 1st station as shown in the figure. If the arrangement becomes too complicated, specify the details on a manifold specification sheet.

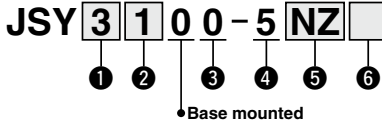
*1 Do not enter the SI unit part number and the end plate part number together.

Internal Pilot

How to Order Valves (With mounting screw)

Refer to page 34 for valve specifications.

JSY3000/5000 Series



Made to Order

(Refer to page 156 for details.)

Specification

With power-saving circuit
(Continuous duty type):
0.1 W (JSY3000/5000)

External pilot

1 Series

3	JSY3000
5	JSY5000

3 Pilot valve exhaust method

0	Pilot valve individual exhaust
---	--------------------------------

4 Rated voltage

5	24 VDC
---	--------

2 Type of actuation

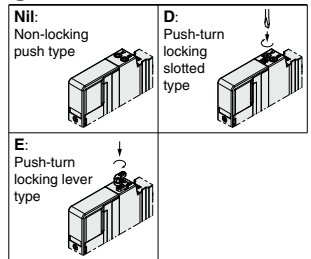
1	2-position	Single
2		Double
3	3-position	Closed center
4		Exhaust center
5		Pressure center
A	4-position dual 3-port	N.C./N.C.
B		N.O./N.O.
C		N.C./N.O.

5 Light/surge voltage suppressor and common specification

Symbol	With light	Surge voltage suppressor	Common specification
U	●	●	Non-polar
NZ	●	●	Negative common

* When the non-polar common specification type is selected, take measures to prevent surge voltage. For details, refer to page 159.

6 Manual override

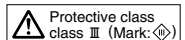


* **When ordering a valve individually, the base gasket is not included.**

Since the base gasket is attached to the manifold, please order the base gasket separately if it is needed for maintenance. Refer to page 137 for base gasket and mounting screw part numbers.

⚠ Caution

If the JSY3000/5000 series is to be continuously energized, please be sure to select the power-saving circuit (continuous duty type) specification. Refer to "Made to Order" on page 156.

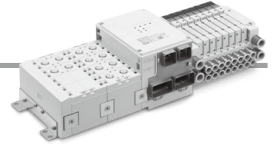


JSY3000/5000 Series

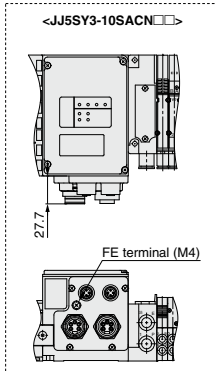
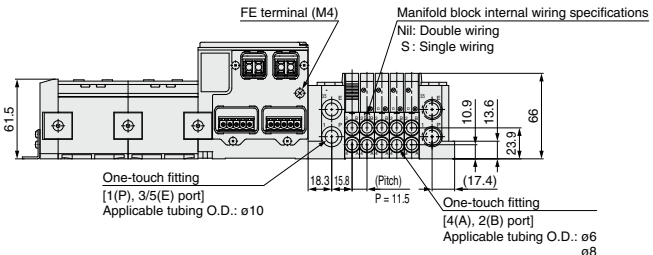
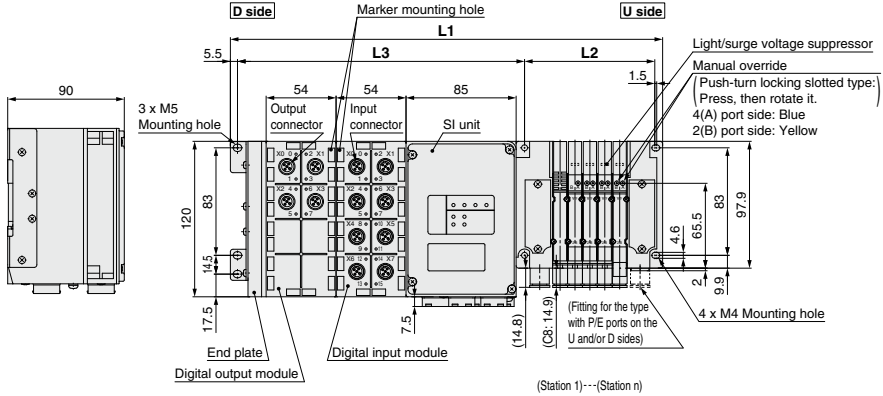
Type 10/Side Ported

Dimensions: **JSY3000 Series**

EX245



JJ5SY3-10SA□ - Stations $\frac{U}{D}$ - C6



$L1 = 11.5n1 + 168.2$
 $L2 = 11.5n1 + 43.1$
 $L3 = 54n2 + 113.6$

* These figures show the "JJ5SY3-10SAANY2-05D-C6."
 * Refer to page 119 for dimensions of external pilot (Made to Order) and silencer.

Dimensions

* The L1 dimension is the dimension without an I/O module. Add 54 mm to this dimension for each I/O module.
 * n2 is the number of I/O module stations.

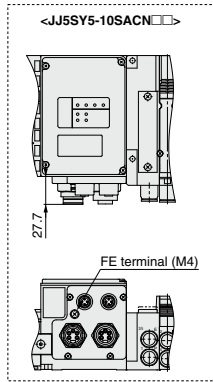
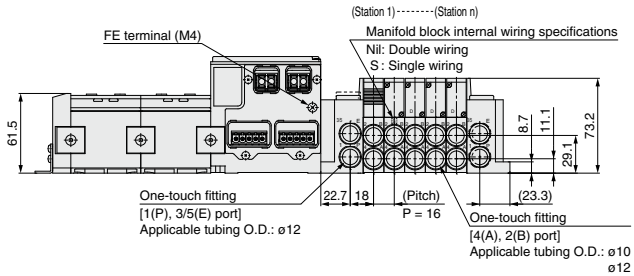
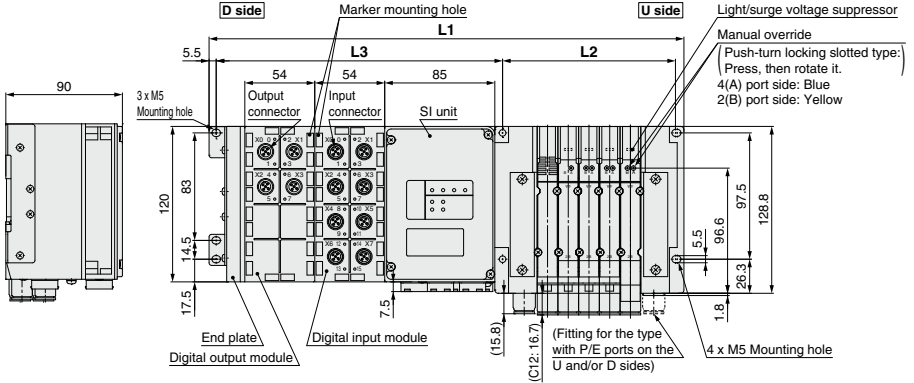
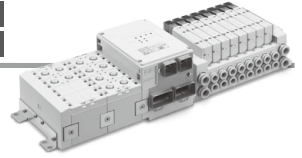
Valve stations n1	2	3	4	5	6	7	8	9	10	11	12	13	14	15	16	17	18	19	20	21	22	23	24
L1	191.2	202.7	214.2	225.7	237.2	248.7	260.2	271.7	283.2	294.7	306.2	317.7	329.2	340.7	352.2	363.7	375.2	386.7	398.2	409.7	421.2	432.7	444.2
L2	66.1	77.6	89.1	100.6	112.1	123.6	135.1	146.6	158.1	169.6	181.1	192.6	204.1	215.6	227.1	238.6	250.1	261.6	273.1	284.6	296.1	307.6	319.1

Type 10/Side Ported

EX245

Dimensions: **JSY5000 Series**

JJ5SY5-10SA□ - Stations $\frac{U}{B}$ - C12



L1 = 16n1 + 178.6
L2 = 16n1 + 53.5
L3 = 54n2 + 113.1

* These figures show the "JJ5SY5-10SAANY2-05D-C12."
* Refer to page 120 for dimensions of external pilot (Made to Order) and silencer.

Dimensions

* The L1 dimension is the dimension without an I/O module. Add 54 mm to this dimension for each I/O module.
* n2 is the number of I/O module stations.

Valve stations n	2	3	4	5	6	7	8	9	10	11	12	13	14	15	16	17	18	19	20	21	22	23	24
L1	210.6	226.6	242.6	258.6	274.6	290.6	306.6	322.6	338.6	354.6	370.6	386.6	402.6	418.6	434.6	450.6	466.6	482.6	498.6	514.6	530.6	546.6	562.6
L2	85.5	101.5	117.5	133.5	149.5	165.5	181.5	197.5	213.5	229.5	245.5	261.5	277.5	293.5	309.5	325.5	341.5	357.5	373.5	389.5	405.5	421.5	437.5

Plug-in Connector Connecting Base

EX250

Type 10
Side Ported

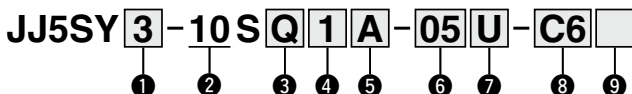
JSY1000/3000/5000 Series

PROFIBUS DP compatible products (S unit/Symbol: N) are to be discontinued as of November 2022. As a substitute, please consider the use of an EX600 series product (SI unit/Symbol: N). However, keep in mind that the product specifications, external appearance, etc., differ. For details, please contact your SMC sales representative.



Internal Pilot

How to Order Manifolds



Made to Order
Made to Order
 (Refer to page 156 for details.)

Specification
External pilot (SUP/EXH block assembly)

① Series

1	JSY1000
3	JSY3000
5	JSY5000

② Type

10	Side ported
----	-------------

⑥ Valve stations

Symbol	Stations	Note
02	2 stations	Double wiring*1
:	:	
16	16 stations	
02	2 stations	Specified layout*2 (Up to 32 solenoids available)
:	:	
24	24 stations	

③ SI unit

0	Without SI unit	
Q	DeviceNet™ (Negative common)	
N	PROFIBUS DP (Negative common)	
TA	AS-Interface (Negative common)	2 isolated common type 8 in/4 out, 31 slave modes
TB		4 in/4 out, 31 slave modes
TC		1 common type 8 in/8 out, 31 slave modes
TD		4 in/4 out, 31 slave modes
Y	CANopen (Negative common)	
ZE	EtherNet/IP™ (Negative common)	

- * Ensure a match with the common specification of the valve to be used.
- * Input block cannot be mounted without SI unit.
- * The supply current from the SI unit of AS-Interface applicable 1 power supply system specification to the input block and valve is limited.

④ Input block stations

Nil	None
1	1 station
:	:
8	8 stations

- * When not selecting an SI unit, the symbol will be "nil." The maximum number of stations is limited for the AS-Interface applicable SI unit.

⑤ Input block type

	PNP sensor input	NPN sensor input
Without input block	Nil	
M12, 2 inputs	A	D
M12, 4 inputs	B	E
M8, 4 inputs	C	F

- * When not selecting an SI unit, the symbol will be "nil."

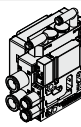
⑦ P, E port entry, SUP/EXH block assembly

P, E port entry	Internal pilot	Internal pilot, Built-in silencer
U side (2 to 10 stations)	U	C
D side (2 to 10 stations)	D	E
Both sides (2 to 24 stations)	B	F

- * The 3/5(E) port is plugged for the built-in silencer type.
- * When the built-in silencer type is used, keep the exhaust port from coming into direct contact with water or other liquids.
- * The external pilot specification should be ordered as Made to Order. For details, refer to page 156.

⑧ A, B port size (Metric/One-touch fitting)

Symbol	A, B port	JSY1000	JSY3000	JSY5000
C2	ø2	●	—	—
C4	ø4	●	—	—
C6	ø6	●	●	—
C8	ø8	—	●	—
C10	ø10	—	—	●
C12	ø12	—	—	●
CM*1	Straight port, mixed sizes	●	●	●
P, E port size (One-touch fittings)		ø8	ø10	ø12



- *1 Indicate the sizes on the manifold specification sheet in the case of "CM."
- * The JSY1000 manifold pitch for C2 and C4 is 6.5 mm, and 9 mm for C6. When CM is selected, the manifold pitch is different depending on the selected fitting.

For details on the EX250 Integrated Type (For Input/Output) Serial Transmission System, refer to the **Web Catalog** and the **Operation Manual**. For the part numbers of the SI units to be mounted, refer to page 133. Please download the **Operation Manual** via the SMC website, <https://www.smcworld.com>

⑨ Mounting and Option

Symbol	Mounting
Nil	Direct mounting
D□	DIN rail mounting

- * Enter the number of stations inside □ when it is larger than the number of valve stations. (Refer to "DIN Rail Option" shown below.)
- * Refer to page 160 for details on securing the DIN rail mounting type manifold.
- * DIN rail mounting (D□) is not available for the product without the SI unit (S0).

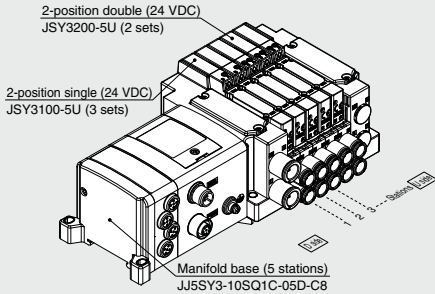
DIN Rail Option

Nil	DIN rail mounting (With DIN rail)	
0	DIN rail mounting (Without DIN rail)	
3	For 3 stations	Specify a length longer than that of the standard rail.
:	:	
24	For 24 stations	

- * Refer to L3 of the dimensions for the DIN rail length and order separately. (Refer to page 152 for the DIN rail part number.)

How to Order Manifold Assembly

Example (JJ5SY3-10S□-□)



JJ5SY3-10SQ1C-05D-C8 ... 1 set (Type 10 5-station manifold base part no.)

- * JSY3100-5U 3 sets (2-position single part no.)
- * JSY3200-5U 2 sets (2-position double part no.)

→ The asterisk denotes the symbol for the assembly. Prefix it to the part numbers of the valve, etc.

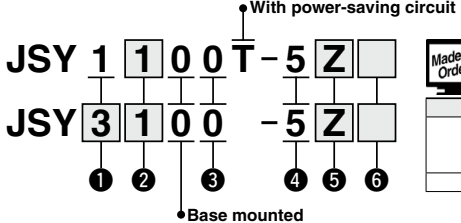
- For the valve arrangement, the valve closest to the D side is considered the 1st station.
- Under the manifold part number, state the valves to be mounted in order starting with the 1st station as shown in the figure. If the arrangement becomes too complicated, specify the details on a manifold specification sheet.

Internal Pilot

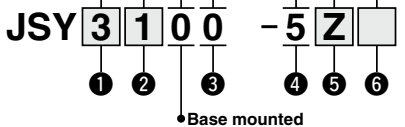
How to Order Valves (With mounting screw)

Refer to page 34 for valve specifications.

JSY1000 Series



JSY3000/5000 Series



Made to Order (Refer to page 156 for details.)

Specification	
With power-saving circuit (Continuous duty type):	0.1 W (JSY3000/5000)
External pilot	

1 Series

1	JSY1000
3	JSY3000
5	JSY5000

3 Pilot valve exhaust method

0	Pilot valve individual exhaust
---	--------------------------------

4 Rated voltage

5	24 VDC
---	--------

2 Type of actuation

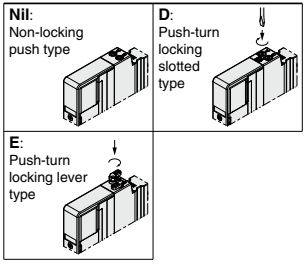
1	Single	
2	2-position	Double
3	3-position	Closed center
4		Exhaust center
5		Pressure center
A	4-position dual 3-port	N.C./N.C.
B		N.O./N.O.
C		N.C./N.O.

5 Light/surge voltage suppressor and common specification

Symbol	With light	Surge voltage suppressor	Common specification
U			Non-polar
Z	●	●	Positive common
NZ			Negative common

- * "U" is applicable for every SI unit. However, "Z" can be used only for CC-Link applicable unit and "NZ" is for units which are not CC-Link applicable.
- * Only "Z" and "NZ" types are available for the JSY1000 series.
- * When the non-polar common specification type is selected, take measures to prevent surge voltage. For details, refer to page 159.

6 Manual override



* Push-turn locking lever type "E" is not available for the JSY1000.

* When ordering a valve individually, the base gasket is not included.

Since the base gasket is attached to the manifold, please order the base gasket separately if it is needed for maintenance. Refer to page 137 for base gasket and mounting screw part numbers.

⚠ Caution

If the JSY3000/5000 series is to be continuously energized, please be sure to select the power-saving circuit (continuous duty type) specification. Refer to "Made to Order" on page 156. For the JSY1000 series, only the power-saving circuit specification is available.

Protective class class III (Mark: ⚡)

JSY1000/3000/5000 Series

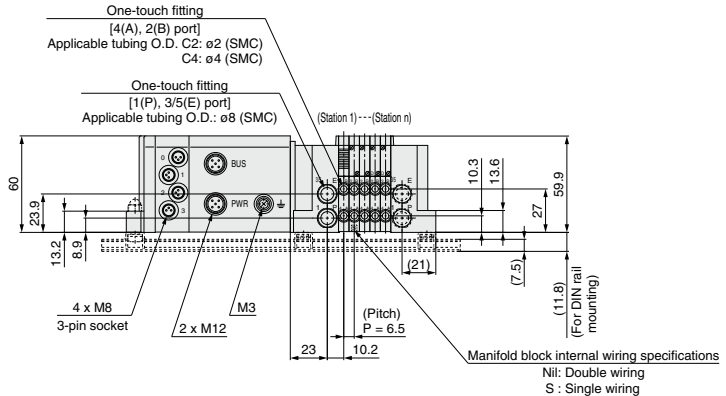
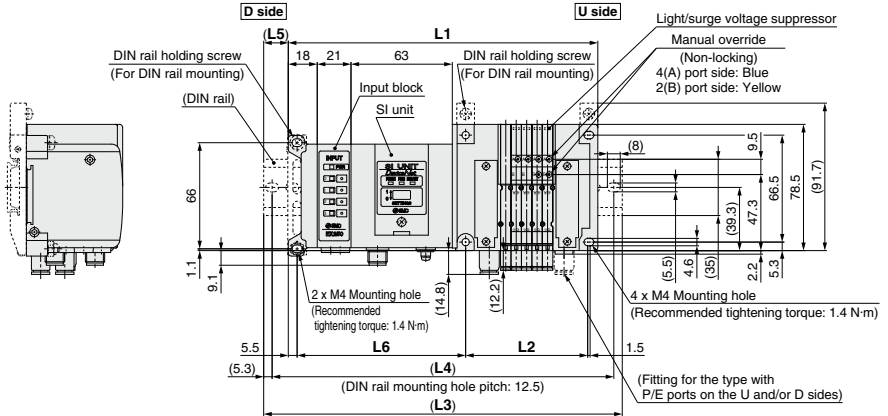
Type 10/Side Ported (Applicable to ø2 and ø4 fittings)

Dimensions: **JSY1000 Series**

EX250



JJ5SY1-10S□ - Stations $\frac{U}{D}$ - C₂-C₄ (D)



$$L1 = 6.5 \times n1 + 139 + 21 \times n2$$

$$L2 = 6.5 \times n1 + 43.4$$

$$L4 = L3 - 10.5$$

$$L5 = (L3 - L1) / 2$$

$$L6 = 21 \times n2 + 83.8$$

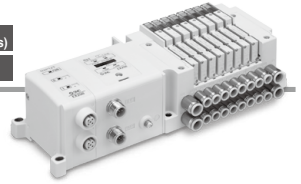
n1: Number of valve stations of the JSY1000
n2: Input block stations

- * These figures show the "JJ5SY1-10SQ1A-05D-C4."
- * Refer to page 118 for dimensions of external pilot (Made to Order) and silencer.
- * When CM is selected for mixed A, B port size and C6 (9 mm pitch) is included, refer to page 121 for dimensions.

L3: DIN Rail Overall Length

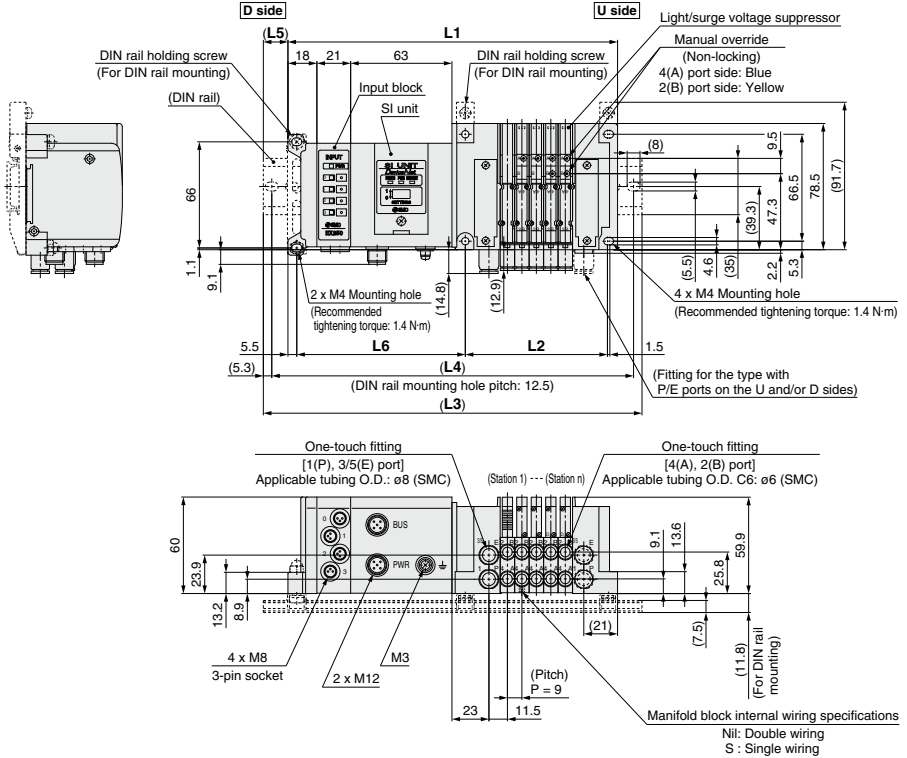
I/O unit stations (n2)	Valve stations (n1)																									
	2	3	4	5	6	7	8	9	10	11	12	13	14	15	16	17	18	19	20	21	22	23	24			
0	185.5	185.5	198	198	210.5	210.5	223	223	235.5	235.5	248	248	260.5	260.5	273	273	285.5	298	298	310.5	310.5	323	323	335	335	348
1	198	210.5	210.5	223	223	235.5	235.5	248	260.5	260.5	273	273	285.5	285.5	298	298	310.5	310.5	323	323	335.5	335.5	348	348	360.5	360.5
2	235.5	235.5	248	248	260.5	260.5	273	273	285.5	285.5	298	298	310.5	310.5	323	323	335.5	335.5	348	348	360.5	360.5	373	373	385.5	385.5
3	248	248	260.5	260.5	273	273	285.5	285.5	298	298	310.5	310.5	323	323	335.5	335.5	348	348	360.5	360.5	373	373	385.5	385.5	398	398
4	260.5	273	273	285.5	285.5	298	310.5	310.5	323	323	335.5	335.5	348	348	360.5	360.5	373	373	385.5	385.5	398	398	410.5	410.5	423	423
5	285.5	298	298	310.5	310.5	323	323	335.5	335.5	348	348	360.5	360.5	373	373	385.5	385.5	398	398	410.5	410.5	423	423	435.5	435.5	448
6	310.5	310.5	323	323	335.5	335.5	348	348	360.5	360.5	373	373	385.5	385.5	398	398	410.5	410.5	423	423	435.5	435.5	448	448	460.5	460.5
7	323	335.5	335.5	348	360.5	360.5	373	373	385.5	385.5	398	398	410.5	410.5	423	423	435.5	435.5	448	448	460.5	460.5	473	473	485.5	485.5
8	348	360.5	360.5	373	373	385.5	385.5	398	398	410.5	410.5	423	423	435.5	435.5	448	448	460.5	460.5	473	473	485.5	485.5	498	498	

Type 10/Side Ported (Applicable to ø6 fittings)
EX250



Dimensions: **JSY1000 Series**

JJ5SY1-10S□ - Stations $\frac{U}{B}$ - C6(D)



$L1 = 9 \times n1 + 139 + 21 \times n2$
 $L2 = 9 \times n1 + 43.4$
 $L4 = L3 - 10.5$
 $L5 = (L3 - L1) / 2$
 $L6 = 21 \times n2 + 83.8$

- * These figures show the "JJ5SY1-10SQ1A-05D-C6."
- * Refer to page 118 for dimensions of external pilot (Made to Order) and silencer.
- * When CM is selected for mixed A, B port size, refer to page 121 for dimensions.

n1: Number of valve stations of the JSY1000
n2: Input block stations

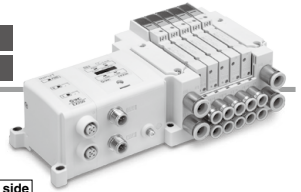
L3: DIN Rail Overall Length

Valve stations (n1)	2	3	4	5	6	7	8	9	10	11	12	13	14	15	16	17	18	19	20	21	22	23	24
I/O unit stations (n2)																							
0	185.5	198	210.5	210.5	223	235.5	235.5	248	260.5	273	273	285.5	298	298	310.5	323	335.5	335.5	348	360.5	360.5	373	385.5
1	210.5	210.5	223	235.5	248	248	260.5	273	285.5	285.5	298	310.5	323	323	335.5	348	348	360.5	373	373	385.5	398	410.5
2	223	235.5	248	260.5	260.5	273	285.5	285.5	298	310.5	323	323	335.5	348	360.5	360.5	373	385.5	385.5	398	410.5	423	423
3	248	260.5	273	273	285.5	298	298	310.5	323	335.5	335.5	348	360.5	360.5	373	385.5	398	398	410.5	423	435.5	448	448
4	273	285.5	285.5	298	310.5	310.5	323	335.5	348	348	360.5	373	373	385.5	398	410.5	410.5	423	435.5	448	448	460.5	473
5	285.5	298	310.5	323	323	335.5	348	360.5	360.5	373	385.5	385.5	398	410.5	423	423	435.5	448	448	460.5	473	485.5	485.5
6	310.5	323	335.5	335.5	348	360.5	360.5	373	385.5	398	398	410.5	423	435.5	435.5	448	460.5	460.5	473	485.5	498	498	510.5
7	335.5	348	348	360.5	373	373	385.5	398	410.5	410.5	423	435.5	435.5	448	460.5	473	473	485.5	498	510.5	510.5	523	535.5
8	360.5	360.5	373	385.5	385.5	398	410.5	423	423	435.5	448	448	460.5	473	485.5	485.5	498	510.5	510.5	523	535.5	548	548

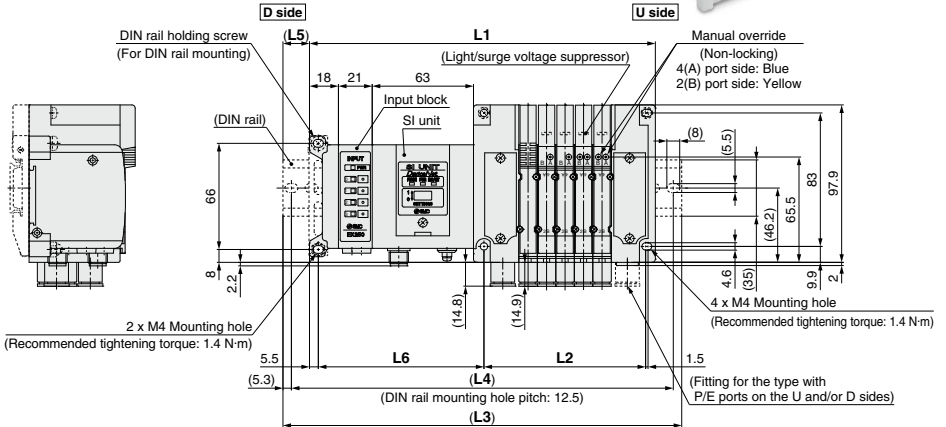
JSY1000/3000/5000 Series

Type 10/Side Ported
EX250

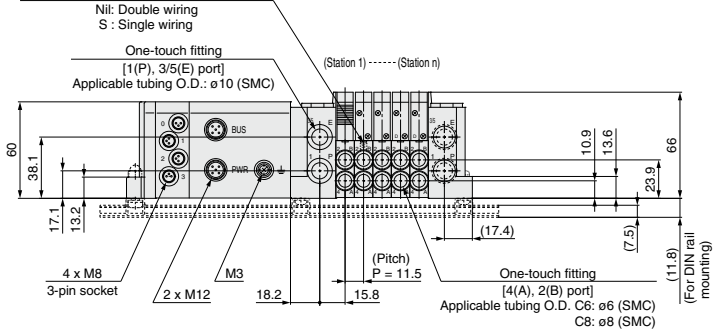
Dimensions: JSY3000 Series



JJ5SY3-10S□ - Stations $\frac{U}{D}$ - C6-C8 (D)



Manifold block internal wiring specifications



$$\begin{aligned} L1 &= 11.5 \times n1 + 136.6 + 21 \times n2 \\ L2 &= 11.5 \times n1 + 43.1 \\ L4 &= L3 - 10.5 \\ L5 &= (L3 - L1) / 2 \\ L6 &= 21 \times n2 + 82 \end{aligned}$$

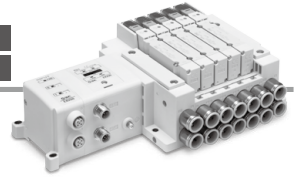
n1: Number of valve stations of the JSY3000
n2: Input block stations

* These figures show the "JJ5SY3-10SQ1A-05D-C8."
* Refer to page 119 for dimensions of external pilot (Made to Order) and silencer.

L3: DIN Rail Overall Length

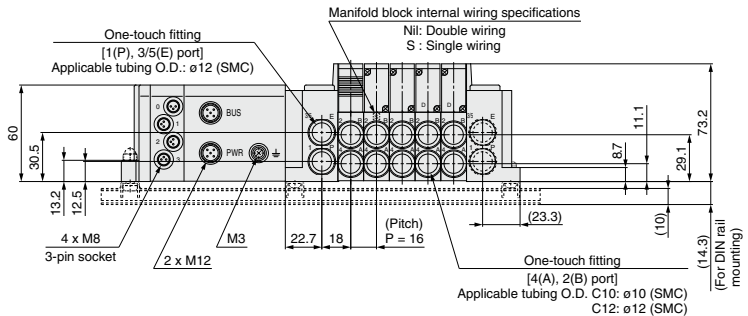
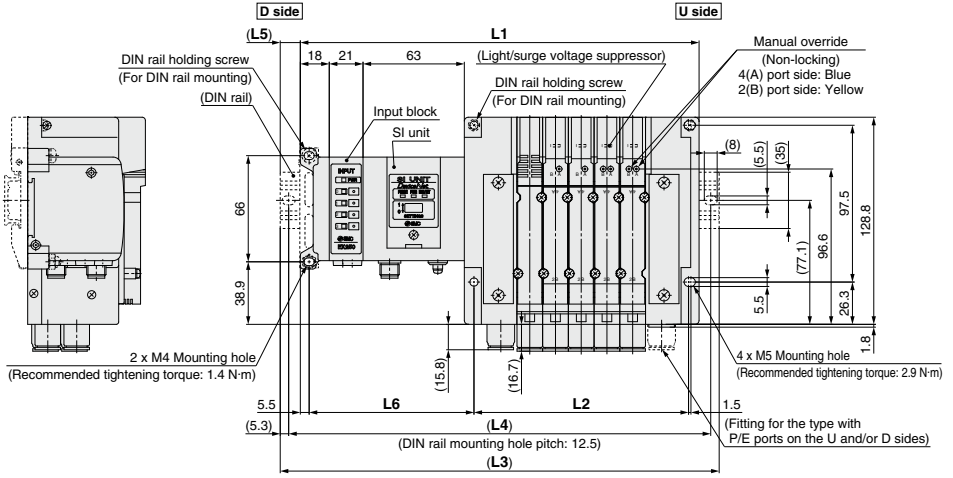
Valve stations (n1) I/O unit stations (n2)	Valve stations (n1)																							
	2	3	4	5	6	7	8	9	10	11	12	13	14	15	16	17	18	19	20	21	22	23	24	
0	185.5	198	210.5	223	235.5	248	260.5	273	285.5	298	298	310.5	323	335.5	348	360.5	373	385.5	398	410.5	423	435.5	448	
1	210.5	223	235.5	248	260.5	273	273	285.5	298	310.5	323	335.5	348	360.5	373	385.5	398	410.5	423	423	435.5	448	460.5	
2	235.5	248	248	260.5	273	285.5	298	310.5	323	335.5	348	360.5	373	385.5	398	398	410.5	423	435.5	448	460.5	473	485.5	
3	248	260.5	273	285.5	298	310.5	323	335.5	348	360.5	373	373	385.5	398	410.5	423	435.5	448	460.5	473	485.5	498	510.5	
4	273	285.5	298	310.5	323	335.5	348	348	360.5	373	385.5	398	410.5	423	435.5	448	460.5	473	485.5	498	510.5	523	535.5	
5	298	310.5	323	323	335.5	348	360.5	373	385.5	398	410.5	423	435.5	448	460.5	473	485.5	498	510.5	523	535.5	548	560.5	
6	310.5	323	335.5	348	360.5	373	385.5	398	410.5	423	423	435.5	448	460.5	473	485.5	498	510.5	523	535.5	548	560.5	573	
7	335.5	348	360.5	373	385.5	398	410.5	423	435.5	448	460.5	473	485.5	498	510.5	523	535.5	548	560.5	573	585.5	598	610.5	
8	360.5	373	385.5	385.5	398	410.5	423	435.5	448	460.5	473	485.5	498	510.5	523	535.5	548	560.5	573	585.5	598	610.5	610.5	

Type 10/Side Ported
EX250



Dimensions: **JSY5000 Series**

JJ5SY5-10S□ - Stations $\frac{U}{D}$ - C10-C12 (D)



$L1 = 16 \times n1 + 147 + 21 \times n2$
 $L2 = 16 \times n1 + 53.5$
 $L4 = L3 - 10.5$
 $L5 = (L3 - L1) / 2$
 $L6 = 21 \times n2 + 81.5$

n1: Number of valve stations of the JSY5000
n2: Input block stations

* These figures show the "JJ5SY5-10SQ1A-05D-C12."
* Refer to page 120 for dimensions of external pilot (Made to Order) and silencer.

L3: DIN Rail Overall Length

Valve stations (n1)	I/O unit stations (n2)																							
	2	3	4	5	6	7	8	9	10	11	12	13	14	15	16	17	18	19	20	21	22	23	24	
0	210.5	223	235.5	260.5	273	285.5	310.5	323	335.5	348	373	385.5	398	410.5	423	448	460.5	485.5	498	510.5	523	548	560.5	
1	235.5	248	260.5	273	298	310.5	323	335.5	360.5	373	385.5	410.5	423	448	460.5	473	485.5	498	523	535.5	548	560.5	585.5	
2	248	260.5	285.5	298	310.5	335.5	348	360.5	373	398	410.5	423	448	460.5	473	485.5	510.5	523	535.5	560.5	573	585.5	598	
3	273	285.5	298	323	335.5	348	373	385.5	398	410.5	435.5	448	460.5	485.5	498	510.5	523	548	560.5	573	585.5	610.5	623	
4	298	310.5	323	335.5	360.5	373	385.5	410.5	423	435.5	448	473	485.5	498	510.5	535.5	548	560.5	585.5	598	610.5	623	648	
5	310.5	335.5	348	360.5	373	398	410.5	423	435.5	460.5	473	485.5	510.5	523	535.5	548	573	585.5	598	623	635.5	648	660.5	
6	335.5	348	360.5	385.5	398	410.5	435.5	448	460.5	473	498	510.5	523	548	560.5	573	585.5	610.5	623	635.5	660.5	673	685.5	
7	360.5	373	385.5	398	423	435.5	448	473	485.5	498	510.5	535.5	548	560.5	585.5	598	610.5	623	648	660.5	673	685.5	710.5	
8	373	398	410.5	423	435.5	460.5	473	485.5	510.5	523	535.5	548	573	585.5	598	610.5	635.5	648	660.5	685.5	698	710.5	723	

Plug-in Connector Connecting Base

EX260

Type 10
Side Ported

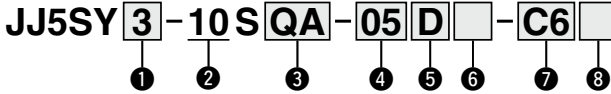
JSY1000/3000/5000 Series



Refer to page 106 for details on manifolds that support safety communication (PROFIsafe).

Internal Pilot

How to Order Manifolds



① Series

1	JSY1000
3	JSY3000
5	JSY5000

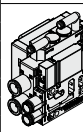
③ SI unit (Output polarity, Protocol, Number of outputs, Communication connector)

Symbol (Output polarity)	Number of outputs	Protocol	Communication connector
Positive common (NPN)	Negative common (PNP)		
①*1 Without SI unit			
QA	QAN	DeviceNet®	32 M12
QB	QBN		16 M12
NA	NAN		32 M12
NB	NBN	PROFIBUS	32 M12
NC	NCN	DP	32 D-sub*3
ND	NDN		16 D-sub
VA	VAN	CC-Link	32 M12
VB	VBN		16 M12
DA	DAN	EtherCAT	32 M12
DB	DBN		16 M12
FA	FAN	PROFINET	32 M12
FB	FBN		16 M12
EA	EAN	EtherNet/IP™	32 M12
EB	EBN		16 M12
—*2	GAN	Ethernet	32 M12
—*2	GBN	POWERLINK	16 M12
—*2	KAN	IO-Link	32*4 M12

- *1 Without SI unit, the output polarity is decided by the SI unit used. Ensure a match with the common specification of the valves to be used.
- *2 Positive common (NPN) type is not available.
- *3 IP40 for the D-sub applicable communication connector specification.
- *4 Only the 32 outputs type is available.
- * DIN rail cannot be mounted without SI unit.

⑦ A, B port size (Metric/One-touch fitting)

Symbol	A, B port	JSY1000	JSY3000	JSY5000
C2	ø2	●	—	—
C4	ø4	●	—	—
C6	ø6	●	●	—
C8	ø8	—	●	—
C10	ø10	—	—	●
C12	ø12	—	—	●
CM*1	Straight port, mixed sizes	●	●	●
P, E port size (One-touch fittings)		ø8	ø10	ø12



- *1 Indicate the sizes on the manifold specification sheet in the case of "CM."
- * The JSY1000 manifold pitch for C2 and C4 is 6.5 mm, and 9 mm for C6. When CM is selected, the manifold pitch is different depending on the selected fitting.

For details on the EX260 Integrated Type (For Output) Serial Transmission System, refer to the **Web Catalog** and the **Operation Manual**. For the part numbers of the SI units to be mounted, refer to page 134. Please download the Operation Manual via the SMC website, <https://www.smcworld.com>

② Type

10	Side ported
----	-------------

⑤ P, E port entry

U	U side (2 to 10 stations)
D	D side (2 to 10 stations)
B	Both sides (2 to 24 stations)

⑥ SUP/EXH block assembly

Nil	Internal pilot
S	Internal pilot, Built-in silencer

- * The 3/5(E) port is plugged for the built-in silencer type.
- * When the built-in silencer type is used, keep the exhaust port from coming into direct contact with water or other liquids.
- * The external pilot specification should be ordered as Made to Order. For details, refer to page 156.



Made to Order
(Refer to page 156 for details.)

Specification	
External pilot (SUP/EXH block assembly)	

④ Valve stations

In the case of the 32-output SI unit

Symbol	Stations	Note
02	2 stations	Note
⋮	⋮	⋮
16	16 stations	Double wiring*1
⋮	⋮	⋮
02	2 stations	Specified layout*2 (Up to 32 solenoids available)
⋮	⋮	⋮
24	24 stations	

In the case of the 16-output SI unit

Symbol	Stations	Note
02	2 stations	Note
⋮	⋮	⋮
08	8 stations	Double wiring*1
⋮	⋮	⋮
02	2 stations	Specified layout*2 (Up to 16 solenoids available)
⋮	⋮	⋮
16	16 stations	

- *1 Double wiring: 2-position single, double, 3-position, and 4-position valves can be used on all manifold stations. The use of a 2-position single solenoid will result in an unused control signal. If this is not desired, order with a specified layout.
- *2 Specified layout: Indicate the wiring specifications on the manifold specification sheet. (Note that 2-position double, 3-position, and 4-position valves cannot be used where single wiring has been specified.)
- * This also includes the number of blanking plates.
- * For the product without the SI unit (S0), note the maximum number of solenoids of the SI unit that will be mounted. If the layout is specified, indicate it on the manifold specification sheet.

⑧ Mounting and Option

Symbol	Mounting
Nil	Direct mounting
D□	DIN rail mounting

- * Enter the number of stations inside □ when it is larger than the number of valve stations. (Refer to "DIN Rail Option" shown below.)
- * Refer to page 160 for details on securing the DIN rail mounting type manifold.
- * DIN rail mounting (D□) is not available for the product without the SI unit (S0).

DIN Rail Option

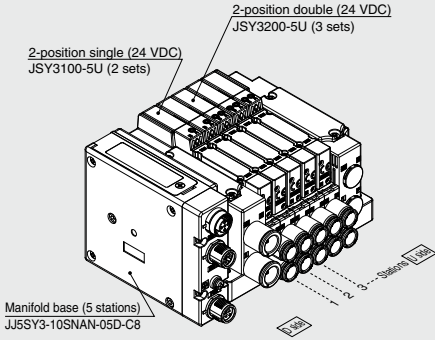
Nil	DIN rail mounting (With DIN rail)
0	DIN rail mounting (Without DIN rail)
3	For 3 stations
⋮	⋮
24	For 24 stations

Specify a length longer than that of the standard rail.

- * Refer to L3 of the dimensions for the DIN rail length and order separately. (Refer to page 152 for the DIN rail part number.)

How to Order Manifold Assembly

Example (JJ5SY3-10SNAN-□)



JJ5SY3-10SNAN-05D-C8 -- 1 set (Type 10 5-station manifold base part no.)
 * JSY3100-5U 2 sets (2-position single part no.)
 * JSY3200-5U 3 sets (2-position double part no.)
 → The asterisk denotes the symbol for the assembly.
 Prefix it to the part numbers of the valve, etc.

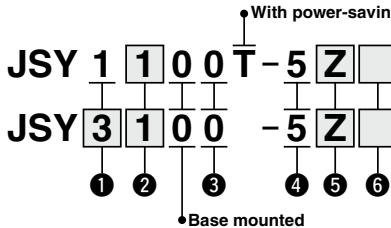
- For the valve arrangement, the valve closest to the D side is considered the 1st station.
- Under the manifold part number, state the valves to be mounted in order starting with the 1st station as shown in the figure. If the arrangement becomes too complicated, specify the details on a manifold specification sheet.

Internal Pilot

How to Order Valves (With mounting screw)

Refer to page 34 for valve specifications.

JSY1000 Series
JSY3000/5000 Series



Made to Order	Made to Order (Refer to page 156 for details.)
	Specification With power-saving circuit (Continuous duty type): 0.1 W (JSY3000/5000) External pilot

1 Series

1	JSY1000
3	JSY3000
5	JSY5000

3 Pilot valve exhaust method

0	Pilot valve individual exhaust
---	--------------------------------

4 Rated voltage

5	24 VDC
---	--------

2 Type of actuation

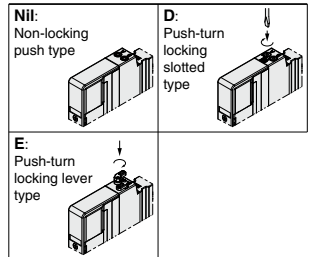
1	Single
2	Double
3	Closed center
4	Exhaust center
5	Pressure center
A	N.C./N.C.
B	N.O./N.O.
C	N.C./N.O.

5 Light/surge voltage suppressor and common specification

Symbol	With light	Surge voltage suppressor	Common specification
U	•	•	Non-polar
Z	•	•	Positive common
NZ	•	•	Negative common

- Select "U" or "Z" for the valve when the SI unit output polarity is Nil (positive common). Select "U" or "NZ" for the valve when the SI unit output polarity is N (negative common).
- Only "Z" and "NZ" types are available for the JSY1000 series.
- When the non-polar common specification type is selected, take measures to prevent surge voltage. For details, refer to page 159.

6 Manual override



* Push-turn locking lever type "E" is not available for the JSY1000.

- When ordering a valve individually, the base gasket is not included.** Since the base gasket is attached to the manifold, please order the base gasket separately if it is needed for maintenance. Refer to page 137 for base gasket and mounting screw part numbers.

⚠ Caution

If the JSY3000/5000 series is to be continuously energized, please be sure to select the power-saving circuit (continuous duty type) specification. Refer to "Made to Order" on page 156. For the JSY1000 series, only the power-saving circuit specification is available.

Protective class class III (Mark: ⚡)

Plug-in Connector Connecting Base

EX260 Safety Communication Protocol (PROFIsafe)

Type 10
Side Ported

JSY1000/3000/5000 Series



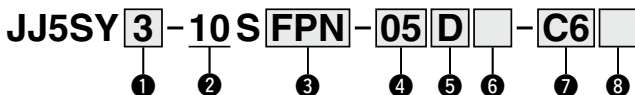
Using the safety communication protocol

Refer to the EX260 Web Catalog for details on units that support the safety communication protocol. When using a manifold valve within an ISO 13849-compliant safety system, the device needs to be considered from both the pneumatic circuit and the electric side. Devices (including valves) need to be selected based on whether their functions are in line with the safety level of the equipment as a whole. The use of valves that have been validated as being compliant with ISO 13849-2 may be required. For details on valves that have been validated, please contact SMC. In addition, refer to "Safety Instructions" for precautions on model selection.

Refer to page 104 for details on manifolds that support Fieldbus and Industrial Ethernet.

Internal Pilot

How to Order Manifolds



1 Series

1	JSY1000
3	JSY3000
5	JSY5000

2 Type

10	Side ported
----	-------------

4 Valve stations

Symbol	Stations	Note
02	2 stations	Double wiring*1
⋮	⋮	
16	16 stations	
02	2 stations	Specified layout*2 (Up to 32 solenoids available)
⋮	⋮	
24	24 stations	

*1 Double wiring: 2-position single, 3-position, and 4-position valves can be used on all manifold stations.

The use of a 2-position single solenoid will result in an unused control signal. If this is not desired, order with a specified layout.

*2 Specified layout: Indicate the wiring specifications on the manifold specification sheet. (Note that 3-position and 4-position valves cannot be used where single wiring has been specified.)

* This also includes the number of blanking plates.

5 P, E port entry

U	U side (2 to 10 stations)
D	D side (2 to 10 stations)
B	Both sides (2 to 24 stations)

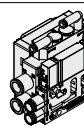
6 SUP/EXH block assembly

NII	Internal pilot
S	Internal pilot, Built-in silencer

- * The 3/5(E) port is plugged for the built-in silencer type.
- * When the built-in silencer type is used, keep the exhaust port from coming into direct contact with water or other liquids.
- * The external pilot specification should be ordered as Made to Order. For details, refer to page 156.

7 A, B port size (Metric/One-touch fitting)

Symbol	A, B port	JSY1000	JSY3000	JSY5000
C2	Straight	ø2	●	—
C4		ø4	●	—
C6		ø6	●	●
C8		ø8	—	●
C10		ø10	—	—
C12		ø12	—	●
CM*1		Straight port, mixed sizes	●	●
P, E port size (One-touch fittings)		ø8	ø10	ø12



*1 Indicate the sizes on the manifold specification sheet in the case of "CM."

* The JSY1000 manifold pitch for C2 and C4 is 6.5 mm, and 9 mm for C6. When CM is selected, the manifold pitch is different depending on the selected fitting.

8 Mounting and Option

Symbol	Mounting
NII	Direct mounting
D□	DIN rail mounting

- * Enter the number of stations inside □ when it is larger than the number of valve stations. (Refer to "DIN Rail Option" shown below.)
- * Refer to page 160 for details on securing the DIN rail mounting type manifold.
- * DIN rail mounting (D□) is not available for the product without the SI unit (S0).



Made to Order
(Refer to page 156 for details.)

Specification
External pilot (SUP/EXH block assembly)

3 SI unit (Output polarity, Protocol, Number of outputs, Communication connector)

Symbol (Output polarity)	Protocol	Number of outputs	Communication connector
Positive common (NPN)	PROFIsafe	32*3	M12
Negative common (PNP)			
0*1	Without SI unit		
—*2	FPN		

*1 Without SI unit, the output polarity is decided by the SI unit used.

Ensure a match with the common specification of the valves to be used.

*2 Positive common (NPN) type is not available.

*3 Only the 32 outputs type is available.

* DIN rail cannot be mounted without SI unit.

DIN Rail Option

NII	DIN rail mounting (With DIN rail)
0	DIN rail mounting (Without DIN rail)
3	For 3 stations
⋮	⋮
24	For 24 stations

Specify a length longer than that of the standard rail.

* Refer to L3 of the dimensions for the DIN rail length and order separately. (Refer to page 152 for the DIN rail part number.)

For details on the EX260 Integrated Type (For Output) Serial Transmission System, refer to the Web Catalog and the Operation Manual. For the part numbers of the SI units to be mounted, refer to page 134. Please download the Operation Manual via the SMC website, <https://www.smcworld.com>

[Validated product examples]

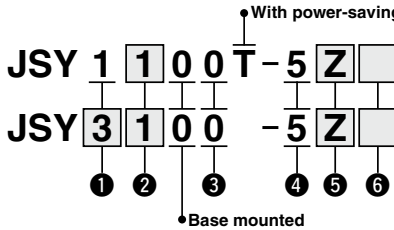
Please contact SMC for further details as supported variations are continually being added.

* 2-position double of rubber seal and manual override with locking function (D, E type) are excluded, because they don't comply with safety standard.

Internal Pilot

How to Order Valves (With mounting screw)

JSY1000 Series
JSY3000/5000 Series



Made to Order (Refer to page 156 for details.)	Specification
	With power-saving circuit (Continuous duty type): 0.1 W (JSY3000/5000)
	External pilot

1 Series

1	JSY1000
3	JSY3000
5	JSY5000

3 Pilot valve exhaust method

0	Pilot valve individual exhaust
---	--------------------------------

4 Rated voltage

5	24 VDC
---	--------

2 Type of actuation

1	2-position	Single
3		Closed center
4	3-position	Exhaust center
5		Pressure center
A	4-position	N.C./N.C.
B	dual 3-port	N.O./N.O.
C		N.C./N.O.

6 Manual override

Nil:
Non-locking push type

5 Light/surge voltage suppressor and common specification

Symbol	With light	Surge voltage suppressor	Common specification
U	●	●	Non-polar
NZ			Negative common

- * Only "NZ" type is available for the JSY1000 series.
- * When the non-polar common specification type is selected, take measures to prevent surge voltage. For details, refer to page 159.

*** When ordering a valve individually, the base gasket is not included.**

Since the base gasket is attached to the manifold, please order the base gasket separately if it is needed for maintenance. Refer to page 137 for base gasket and mounting screw part numbers.

⚠ Caution

If the JSY3000/5000 series is to be continuously energized, please be sure to select the power-saving circuit (continuous duty type) specification. Refer to "Made to Order" on page 156. For the JSY1000 series, only the power-saving circuit specification is available.

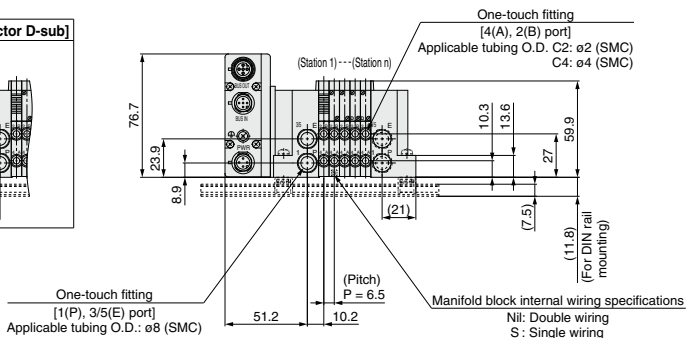
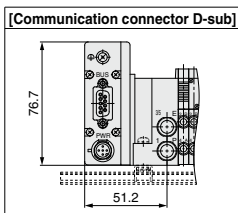
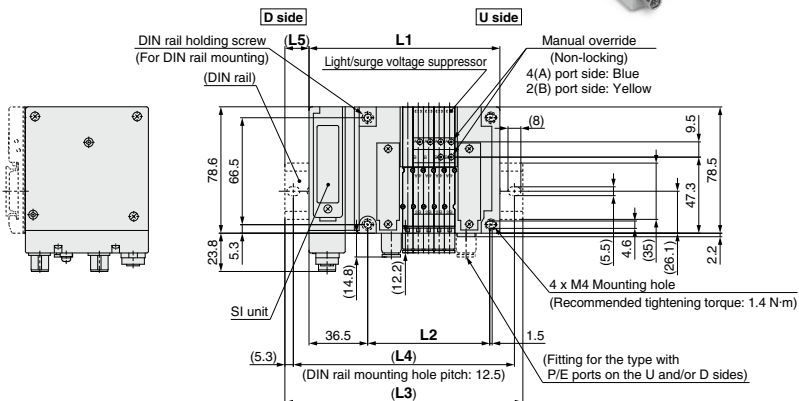
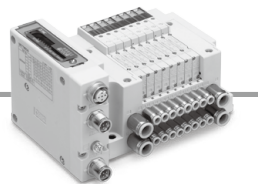
JSY1000/3000/5000 Series

Type 10/Side Ported (Applicable to ø2 and ø4 fittings)

EX260

Dimensions: JSY1000 Series

JJ5SY1-10S□ - Stations $\frac{U}{D}$ - C2-C4 (D)



- * These figures show the "JJ5SY1-10SQA-05D-C4."
- * Refer to page 118 for dimensions of external pilot (Made to Order) and silencer.
- * When CM is selected for mixed A, B port size and C6 (9 mm pitch) is included, refer to page 121 for dimensions.

L: Dimensions

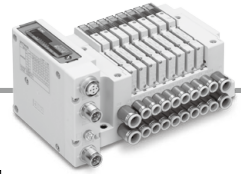
n: Stations

L \ n	2	3	4	5	6	7	8	9	10	11	12	13	14	15	16
L1	99.2	105.7	112.2	118.7	125.2	131.7	138.2	144.7	151.2	157.7	164.2	170.7	177.2	183.7	190.2
L2	56.4	62.9	69.4	75.9	82.4	88.9	95.4	101.9	108.4	114.9	121.4	127.9	134.4	140.9	147.4
L3	123	135.5	135.5	148	160.5	160.5	173	173	185.5	185.5	198	198	210.5	210.5	223
L4	112.5	125	125	137.5	150	150	162.5	162.5	175	175	187.5	187.5	200	200	212.5
L5	12	15	12	15	18	15	18	14	17	14	17	14	17	14	17

L \ n	17	18	19	20	21	22	23	24
L1	196.7	203.2	209.7	216.2	222.7	229.2	235.7	242.2
L2	153.9	160.4	166.9	173.4	179.9	186.4	192.9	199.4
L3	223	235.5	235.5	248	248	260.5	260.5	273
L4	212.5	225	225	237.5	237.5	250	250	262.5
L5	13	16	13	16	13	16	13	16

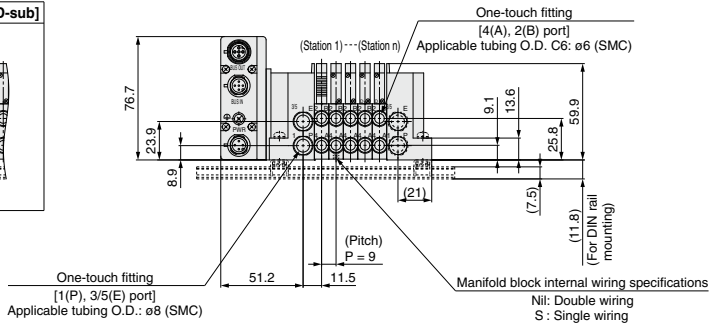
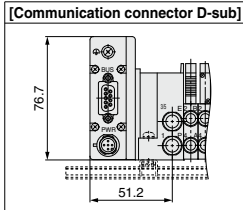
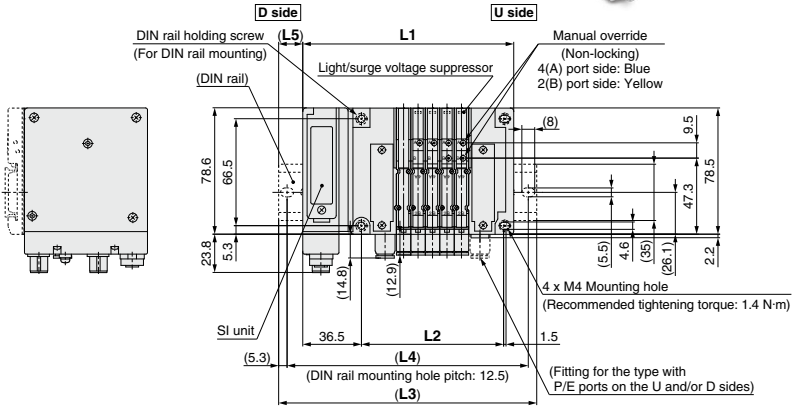
Type 10/Side Ported (Applicable to ø6 fittings)

EX260



Dimensions: JSY1000 Series

JJ5SY1-10S□-^UStations_B-C6(D)



- * These figures show the "JJ5SY1-10SQA-05D-C6."
- * Refer to page 118 for dimensions of external pilot (Made to Order) and silencer.
- * When CM is selected for mixed A, B port size, refer to page 121 for dimensions.

L: Dimensions

n: Stations

L \ n	2	3	4	5	6	7	8	9	10	11	12	13	14	15	16
L1	104.2	113.2	122.2	131.2	140.2	149.2	158.2	167.2	176.2	185.2	194.2	203.2	212.2	221.2	230.2
L2	61.4	70.4	79.4	88.4	97.4	106.4	115.4	124.4	133.4	142.4	151.4	160.4	169.4	178.4	187.4
L3	135.5	148	148	160.5	173	173	185.5	198	210.5	210.5	223	235.5	235.5	248	260.5
L4	125	137.5	137.5	150	162.5	162.5	175	187.5	200	200	212.5	225	225	237.5	250
L5	16	18	13	15	17	12	14	16	17	13	15	16	12	14	15

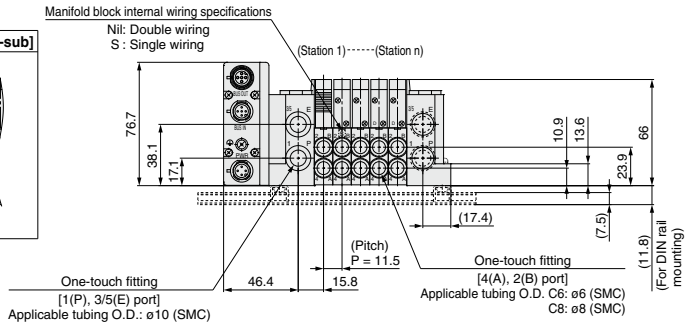
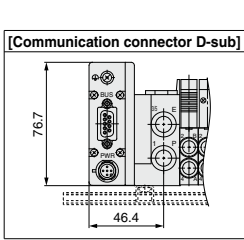
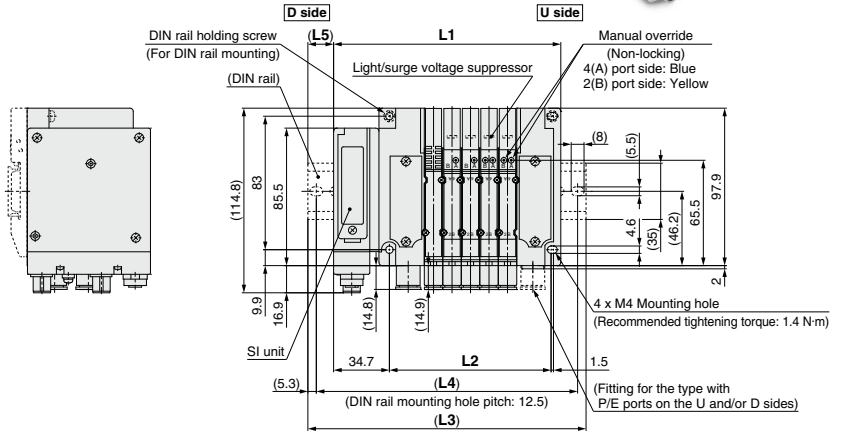
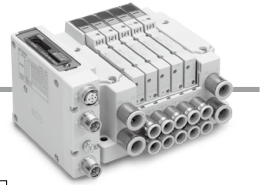
L \ n	17	18	19	20	21	22	23	24
L1	239.2	248.2	257.2	266.2	275.2	284.2	293.2	302.2
L2	196.4	205.4	214.4	223.4	232.4	241.4	250.4	259.4
L3	273	273	285.5	298	310.5	310.5	323	335.5
L4	262.5	262.5	275	287.5	300	300	312.5	325
L5	17	13	14	16	18	13	15	17

JSY1000/3000/5000 Series

Type 10/Side Ported
EX260

Dimensions: JSY3000 Series

JJ5SY3-10S□ - Stations $\frac{D}{B}$ - C₆/C₈ (D)



* These figures show the "JJ5SY3-10SQA-05D-C6"
* Refer to page 119 for dimensions of external pilot (Made to Order) and silencer.

L: Dimensions

n: Stations

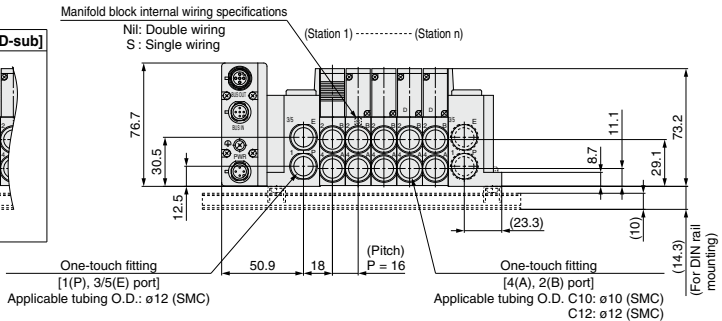
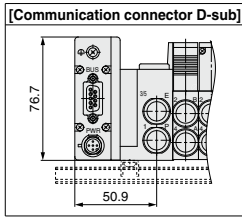
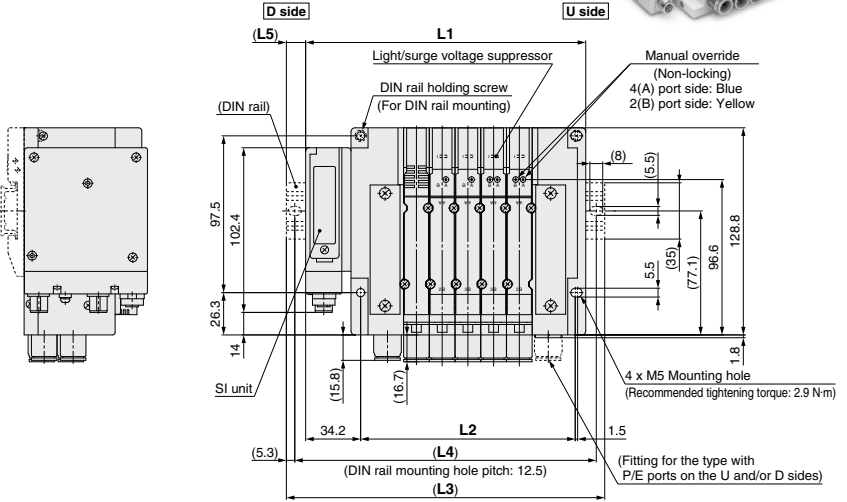
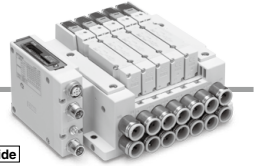
L \ n	2	3	4	5	6	7	8	9	10	11	12	13	14	15	16
L1	106.8	118.3	129.8	141.3	152.8	164.3	175.8	187.3	198.8	210.3	221.8	233.3	244.8	256.3	267.8
L2	66.1	77.6	89.1	100.6	112.1	123.6	135.1	146.6	158.1	169.6	181.1	192.6	204.1	215.6	227.1
L3	135.5	148	160.5	173	185.5	198	210.5	210.5	223	235.5	248	260.5	273	285.5	298
L4	125	137.5	150	162.5	175	187.5	200	200	212.5	225	237.5	250	262.5	275	287.5
L5	15	15	16	16	17	17	18	18	12	13	13	14	14	15	15

L \ n	17	18	19	20	21	22	23	24
L1	279.3	290.8	302.3	313.8	325.3	336.8	348.3	359.8
L2	238.6	250.1	261.1	273.1	284.6	296.1	307.6	319.1
L3	310.5	323	335.5	348	360.5	360.5	373	385.5
L4	300	312.5	325	337.5	350	350	362.5	375
L5	16	16	17	17	18	12	13	13

Type 10/Side Ported
EX260

Dimensions: **JSY5000 Series**

JJ5SY5-10S□ - Stations $\frac{D}{B}$ - C10 (D)
C12 (D)



* These figures show the "JJ5SY5-10SQA-05D-C12."
* Refer to page 120 for dimensions of external pilot (Made to Order) and silencer.

L: Dimensions

L	n	2	3	4	5	6	7	8	9	10	11	12	13	14	15	16
L1		126.2	142.2	158.2	174.2	190.2	206.2	222.2	238.2	254.2	270.2	286.2	302.2	318.2	334.2	350.2
L2		85.5	101.5	117.5	133.5	149.5	165.5	181.5	197.5	213.5	229.5	245.5	261.5	277.5	293.5	309.5
L3		160.5	173	185.5	198	223	235.5	248	273	285.5	298	310.5	335.5	348	360.5	385.5
L4		150	162.5	175	187.5	212.5	225	237.5	262.5	275	287.5	300	325	337.5	350	375
L5		17	16	14	12	17	15	13	18	16	14	12	17	15	13	18

L	n	17	18	19	20	21	22	23	24
L1		366.2	382.2	398.2	414.2	430.2	446.2	462.2	478.2
L2		325.5	341.5	357.5	373.5	389.5	405.5	421.5	437.5
L3		398	410.5	423	448	460.5	473	485.5	510.5
L4		387.5	400	412.5	437.5	450	462.5	475	500
L5		16	14	13	17	15	14	12	16

Plug-in Connector Connecting Base

EX120

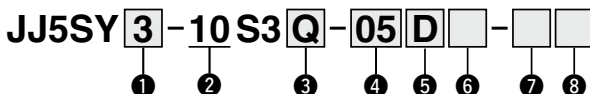
Type 10
Side Ported

JSY1000/3000/5000 Series



Internal Pilot

How to Order Manifolds



1 Series

1	JSY1000
3	JSY3000
5	JSY5000

3 SI unit

0	Without SI unit	
Q	DeviceNet®	(Positive common NPN)
R1	OMRON CompoBus/S	16 outputs
R2	(Positive common NPN)	8 outputs
V	CC-Link (Positive common NPN)	
ZB*1	CompoNet®	Positive common NPN
ZBN*1		Negative common PNP

*1 The communication connector (for the opposite side) is not provided. Please order it separately.

* Ensure a match with the common specification of the valve to be used.

2 Type

10	Side ported
----	-------------

5 P, E port entry

U	U side (2 to 10 stations)
D	D side (2 to 10 stations)
B	Both sides (2 to 16 stations)

6 SUP/EXH block

Nil	Internal pilot
S	Internal pilot, Built-in silencer

* The 3/5(E) port is plugged for the built-in silencer type.

* The external pilot specification should be ordered as Made to Order. For details, refer to page 156.



Made to Order
(Refer to page 156 for details.)

Specification
External pilot (SUP/EXH block assembly)

4 Valve stations

Symbol	Stations	Note
02	2 stations	Double wiring*1
:	:	
08	8 stations	
02	2 stations	Specified layout*2 (Up to 16 solenoids available)
:	:	
16	16 stations	

*1 Double wiring: 2-position single, double, 3-position, and 4-position valves can be used on all manifold stations.

The use of a 2-position single solenoid will result in an unused control signal. If this is not desired, order with a specified layout.

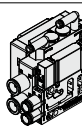
*2 Specified layout: Indicate the wiring specifications on the manifold specification sheet. (Note that 2-position double, 3-position, and 4-position valves cannot be used where single wiring has been specified.)

* This also includes the number of blanking plates.

* Since R2 type SI unit has 8 outputs, note that up to 8 solenoids can be accommodated.

7 A, B port size (Metric/One-touch fitting)

Symbol	A, B port	JSY1000	JSY3000	JSY5000
C2	ø2	●	—	—
C4	ø4	●	—	—
C6	ø6	●	●	—
C8	ø8	—	●	—
C10	ø10	—	—	●
C12	ø12	—	—	●
CM*1	Straight port, mixed sizes	●	●	●
P, E port size (One-touch fittings)		ø8	ø10	ø12



*1 Indicate the sizes on the manifold specification sheet in the case of "CM."

* The JSY1000 manifold pitch for C2 and C4 is 6.5 mm, and 9 mm for C6. When CM is selected, the manifold pitch is different depending on the selected fitting.

8 Mounting and Option

Symbol	Mounting
Nil	Direct mounting
D□	DIN rail mounting

* Enter the number of stations inside □ when it is larger than the number of valve stations. (Refer to "DIN Rail Option" shown below.)

* Refer to page 160 for details on securing the DIN rail mounting type manifold.

DIN Rail Option

Nil	DIN rail mounting (With DIN rail)
0	DIN rail mounting (Without DIN rail)
3	For 3 stations
:	:
16	For 16 stations

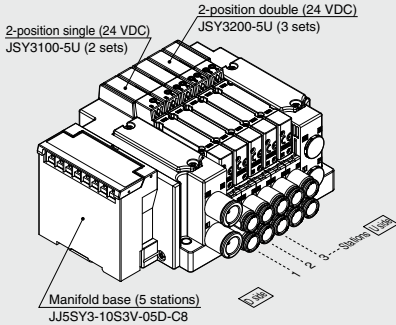
Specify a length longer than that of the standard rail.

* If the DIN rail must be mounted without an SI unit, select D0. Refer to L3 of the dimensions for the DIN rail length and order separately. (Refer to page 152 for the DIN rail part number.)

For details on the EX120 Integrated Type (For Output) Serial Transmission System, refer to the **Web Catalog** and the **Operation Manual**. For the part numbers of the SI units to be mounted, refer to page 135. Please download the Operation Manual via the SMC website, <https://www.smcworld.com>

How to Order Manifold Assembly

Example (JJ5SY3-10S3V-□)



JJ5SY3-10S3V-05D-C8 ...1 set (Type 10 5-station manifold base part no.)
 * JSY3100-5U2 sets (2-position single part no.)
 * JSY3200-5U3 sets (2-position double part no.)
 The asterisk denotes the symbol for the assembly.
 Prefix it to the part numbers of the valve, etc.

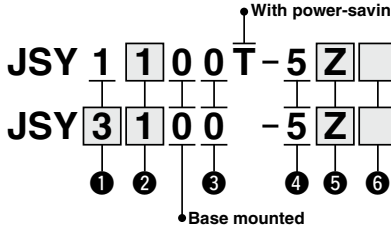
- For the valve arrangement, the valve closest to the D side is considered the 1st station.
- Under the manifold part number, state the valves to be mounted in order starting with the 1st station as shown in the figure. If the arrangement becomes too complicated, specify the details on a manifold specification sheet.

Internal Pilot

How to Order Valves (With mounting screw)

Refer to page 34 for valve specifications.

JSY1000 Series



Made to Order
 (Refer to page 156 for details.)

Specification
With power-saving circuit (Continuous duty type): 0.1 W (JSY3000/5000)
External pilot

1 Series

1	JSY1000
3	JSY3000
5	JSY5000

3 Pilot valve exhaust method

0	Pilot valve individual exhaust
---	--------------------------------

4 Rated voltage

5	24 VDC
---	--------

2 Type of actuation

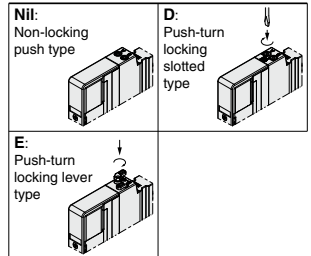
1	Single	
2	2-position	Double
3		Closed center
4	3-position	Exhaust center
5		Pressure center
A		N.C./N.C.
B	4-position	N.O./N.O.
C	dual 3-port	N.C./N.O.

5 Light/surge voltage suppressor and common specification

Symbol	With light	Surge voltage suppressor	Common specification
U			Non-polar
Z	●	●	Positive common
NZ			Negative common

- Select "U" or "Z" for the valve when the SI unit specification is positive common. Select "U" or "NZ" for the valve when the SI unit specification is ZBN (negative common).
- Only "Z" and "NZ" types are available for the JSY1000 series.
- When the non-polar common specification type is selected, take measures to prevent surge voltage. For details, refer to page 159.

6 Manual override

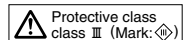


* Push-turn locking lever type "E" is not available for the JSY1000.

- When ordering a valve individually, the base gasket is not included.** Since the base gasket is attached to the manifold, please order the base gasket separately if it is needed for maintenance. Refer to page 137 for base gasket and mounting screw part numbers.

⚠ Caution

If the JSY3000/5000 series is to be continuously energized, please be sure to select the power-saving circuit (continuous duty type) specification. Refer to "Made to Order" on page 156. For the JSY1000 series, only the power-saving circuit specification is available.

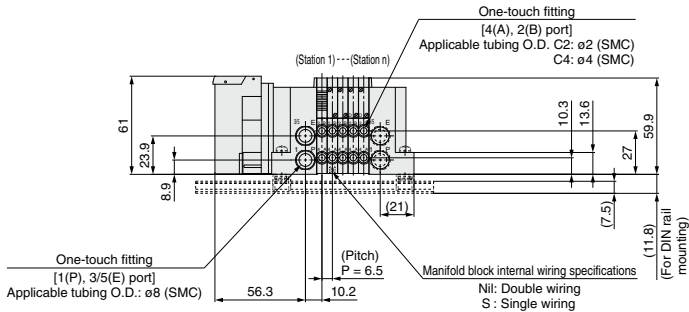
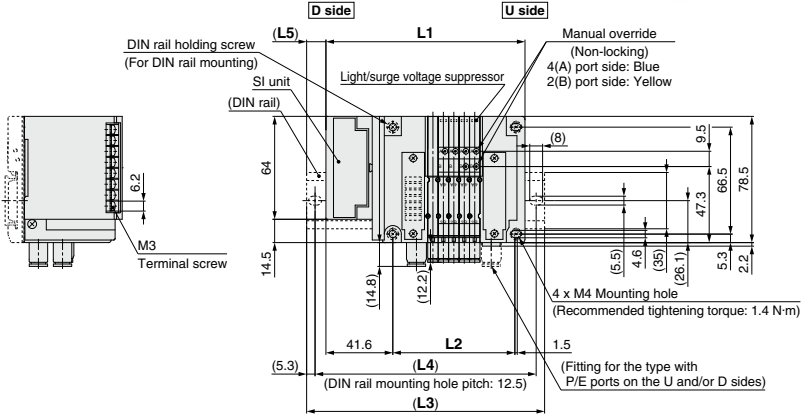
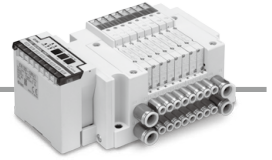


JSY1000/3000/5000 Series

Type 10/Side Ported (Applicable to ø2 and ø4 fittings)
EX120

Dimensions: JSY1000 Series

JJ5SY1-10S3□ - Stations $\frac{U}{B} - \frac{C4}{C4}$ (D)

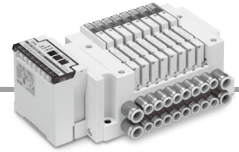


- * These figures show the "JJ5SY1-10S3V-05D-C4."
- * Refer to page 118 for dimensions of external pilot (Made to Order) and silencer.
- * When CM is selected for mixed A, B port size and C6 (9 mm pitch) is included, refer to page 121 for dimensions.

L: Dimensions

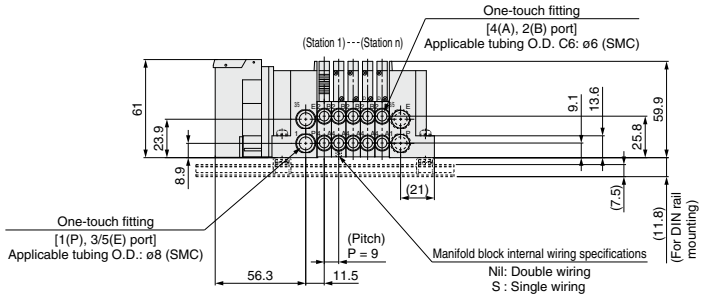
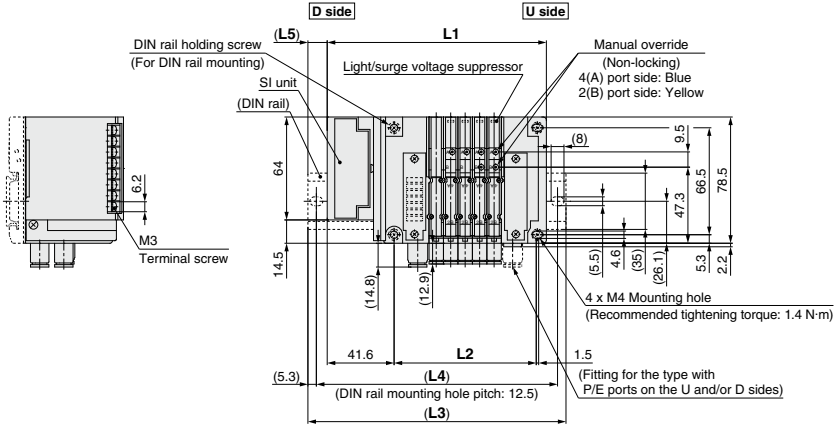
L \ n	n: Stations															
	2	3	4	5	6	7	8	9	10	11	12	13	14	15	16	
L1	104.3	110.8	117.3	123.8	130.3	136.8	143.3	149.8	156.3	162.8	169.3	175.8	182.3	188.8	195.3	
L2	56.4	62.9	69.4	75.9	82.4	88.9	95.4	101.9	108.4	114.9	121.4	127.9	134.4	140.9	147.4	
L3	135.5	135.5	148	148	160.5	160.5	173	173	185.5	198	198	210.5	210.5	223	223	
L4	125	125	137.5	137.5	150	150	162.5	162.5	175	187.5	187.5	200	200	212.5	212.5	
L5	16	12	15	12	15	12	15	12	15	18	14	17	14	17	14	

Type 10/Side Ported (Applicable to ø6 fittings)
EX120



Dimensions: **JSY1000 Series**

JJ5SY1-10S3□ - Stations $\frac{U}{D}$ - C6(D)



- * These figures show the "JJ5SY1-10S3V-05D-C6."
- * Refer to page 118 for dimensions of external pilot (Made to Order) and silencer.
- * When CM is selected for mixed A, B port size, refer to page 121 for dimensions.

L: Dimensions

n: Stations

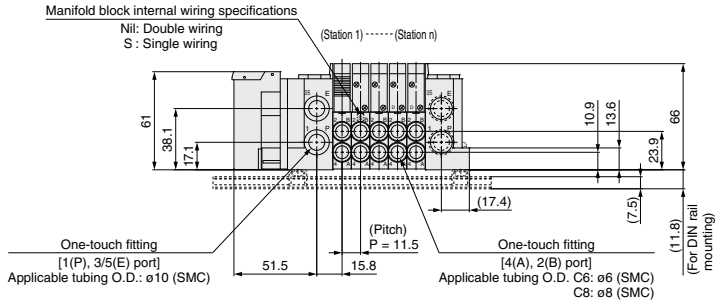
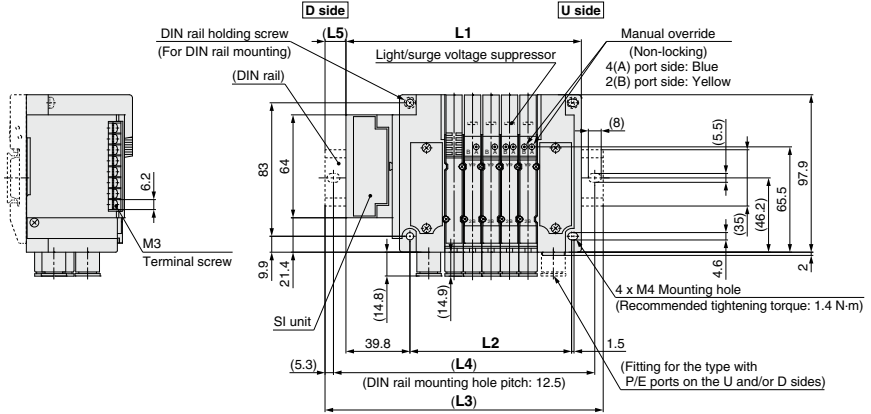
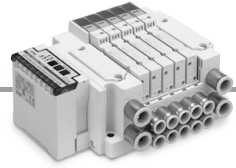
L \ n	2	3	4	5	6	7	8	9	10	11	12	13	14	15	16
L1	109.3	118.3	127.3	136.3	145.3	154.3	163.3	172.3	181.3	190.3	199.3	208.3	217.3	226.3	235.3
L2	61.4	70.4	79.4	88.4	97.4	106.4	115.4	124.4	133.4	142.4	151.4	160.4	169.4	178.4	187.4
L3	135.5	148	160.5	160.5	173	185.5	198	198	210.5	223	223	235.5	248	260.5	260.5
L4	125	137.5	150	150	162.5	175	187.5	187.5	200	212.5	212.5	225	237.5	250	250
L5	13	15	17	12	14	16	17	13	15	16	12	14	15	17	13

JSY1000/3000/5000 Series

Type 10/Side Ported
EX120

Dimensions: JSY3000 Series

JJ5SY3-10S3□ - Stations $\frac{U}{D}$ C8 (D)



* These figures show the "JJ5SY3-10S3V-05D-C8."
* Refer to page 119 for dimensions of external pilot (Made to Order) and silencer.

L: Dimensions

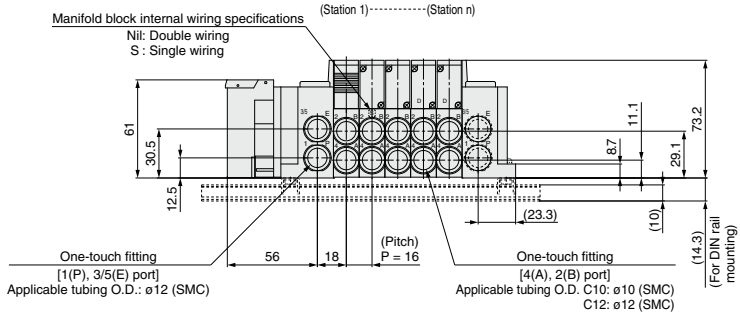
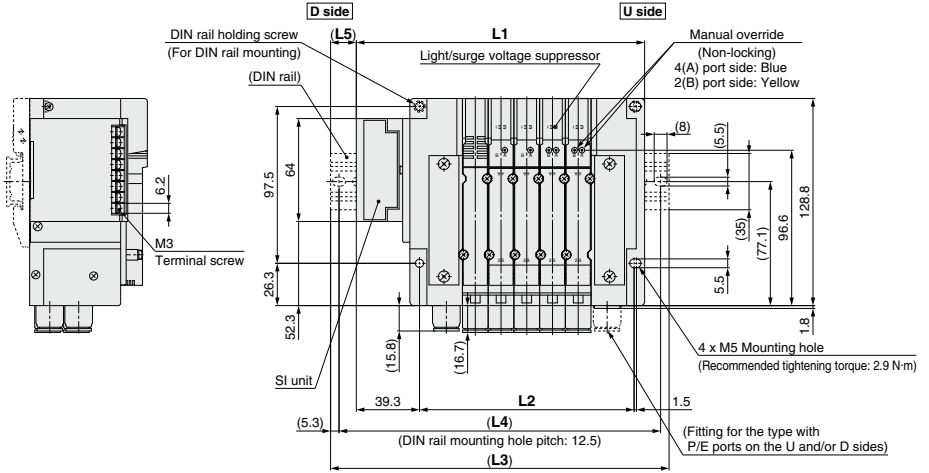
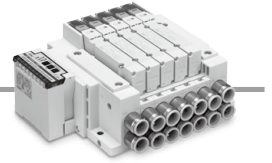
n: Stations

L \ n	2	3	4	5	6	7	8	9	10	11	12	13	14	15	16
L1	111.9	123.4	134.9	146.4	157.9	169.4	180.9	192.4	203.9	215.4	226.9	238.4	249.9	261.4	272.9
L2	66.1	77.6	89.1	100.6	112.1	123.6	135.1	146.6	158.1	169.6	181.1	192.6	204.1	215.6	227.1
L3	135.5	148	160.5	173	185.5	198	210.5	223	235.5	248	260.5	273	285.5	298	310.5
L4	125	137.5	150	162.5	175	187.5	200	212.5	225	237.5	250	262.5	275	287.5	300
L5	12	12	13	13	14	14	15	15	16	16	17	17	18	18	19

Type 10/Side Ported
EX120

Dimensions: **JSY5000 Series**

JJ5SY5-10S3□ - Stations $\frac{U}{D}$ - C10/C12 (D)



* These figures show the "JJ5SY5-10S3V-05D-C12."
* Refer to page 120 for dimensions of external pilot (Made to Order) and silencer.

L: Dimensions

L \ n	n: Stations															
	2	3	4	5	6	7	8	9	10	11	12	13	14	15	16	
L1	131.3	147.3	163.3	179.3	195.3	211.3	227.3	243.3	259.3	275.3	291.3	307.3	323.3	339.3	355.3	
L2	85.5	101.5	117.5	133.5	149.5	165.5	181.5	197.5	213.5	229.5	245.5	261.5	277.5	293.5	309.5	
L3	160.5	173	198	210.5	223	235.5	260.5	273	285.5	310.5	323	335.5	348	373	385.5	
L4	150	162.5	187.5	200	212.5	225	250	262.5	275	300	312.5	325	337.5	362.5	375	
L5	15	13	17	16	14	12	17	15	13	18	16	14	12	17	15	

JSY1000/3000/5000 Series Common Dimensions

Type 10/Side Ported

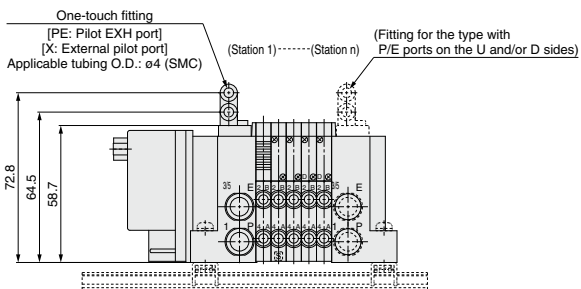
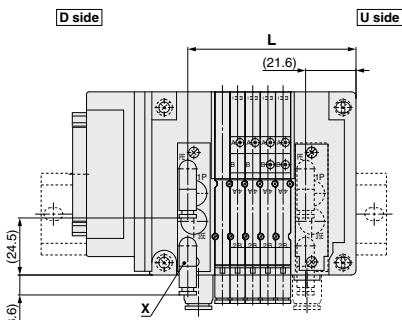
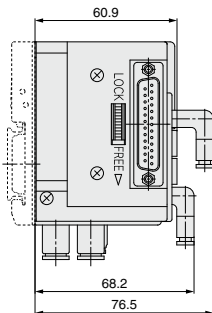
External Pilot, Built-in Silencer

Dimensions: **JSY1000 Series**

JJ5SY1-10□ - Stations $\frac{U}{D}$ (S, R) - $\frac{C2}{C4}$ / $\frac{C6}{C6}$ (D)

External pilot (Made to Order)

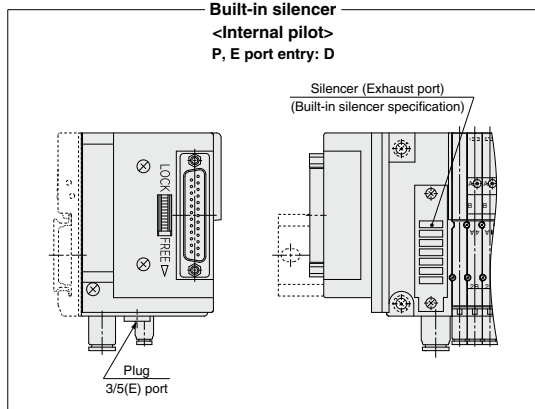
P, E port entry: D



Built-in silencer

<Internal pilot>

P, E port entry: D



Calculation formula for L dimensions

$$L = 6.5 \times n1 + 9 \times n2 + 39.6$$

n1: Number of 6.5 mm pitch manifold block stations
(Applicable fitting: ø2, ø4)

n2: Number of 9 mm pitch manifold block stations
(Applicable fitting: ø6)

* These figures show the "JJ5SY1-10F2-05DR-C4."

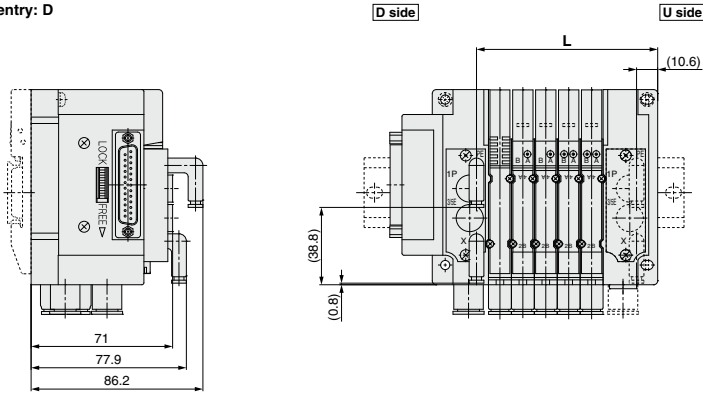
Type 10/Side Ported
External Pilot, Built-in Silencer

Dimensions: JSY3000 Series

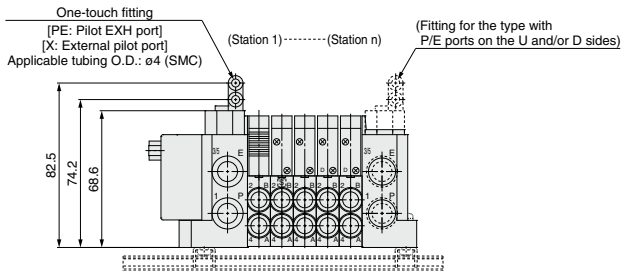
JJ5SY3-10□ - [Stations] $\frac{U}{B}$ (S, R) - $\frac{C}{C}$ (D)

External pilot (Made to Order)

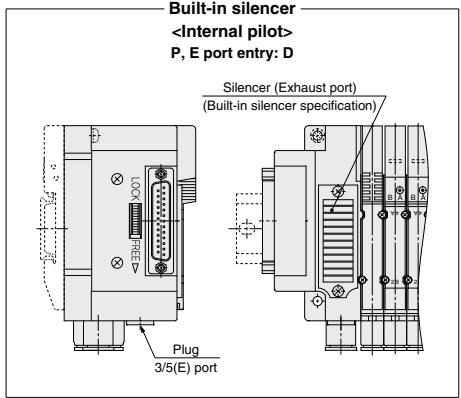
P, E port entry: D



Calculation formula for L dimensions
 $L = 11.5 \times n + 33.4$
 n: Manifold stations



* These figures show the "JJ5SY3-10F2-05DR-C8."



JSY1000/3000/5000 Series

Type 10/Side Ported

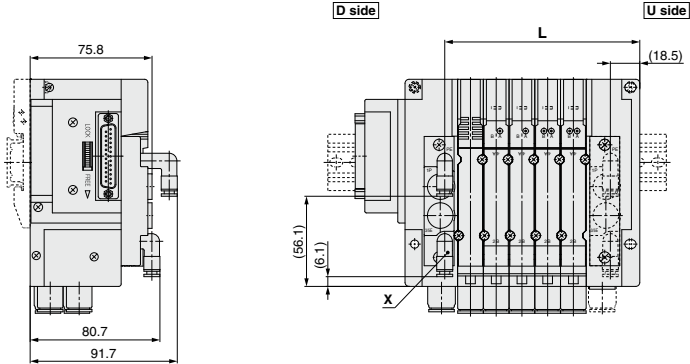
External Pilot, Built-in Silencer

Dimensions: **JSY5000 Series**

JJ5SY5-10□ - $\frac{U}{B}$ (S, R) - $\frac{C10}{C12}$ (D)

External pilot (Made to Order)

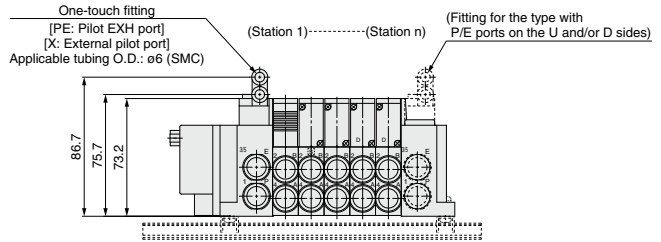
P, E port entry: D



Calculation formula for L dimensions

$$L = 16 \times n + 41.5$$

n: Manifold stations

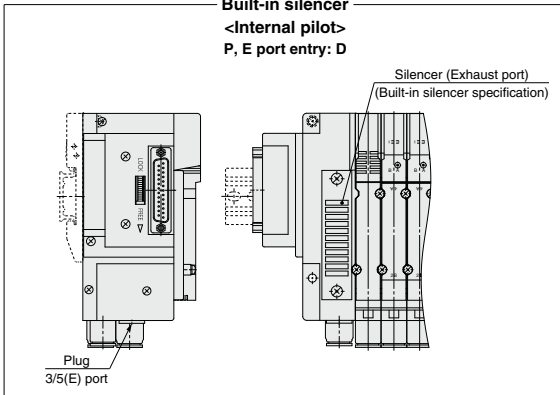


* These figures show the "JJ5SY5-10F2-05DR-C12."

Built-in silencer

<Internal pilot>

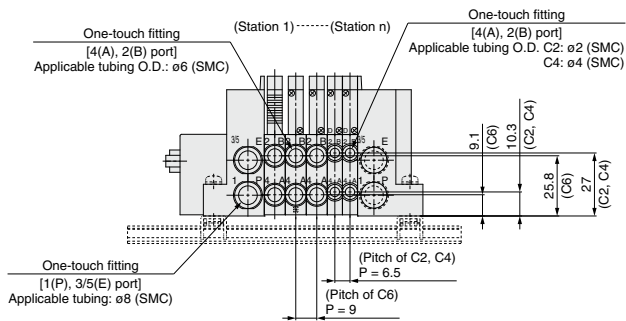
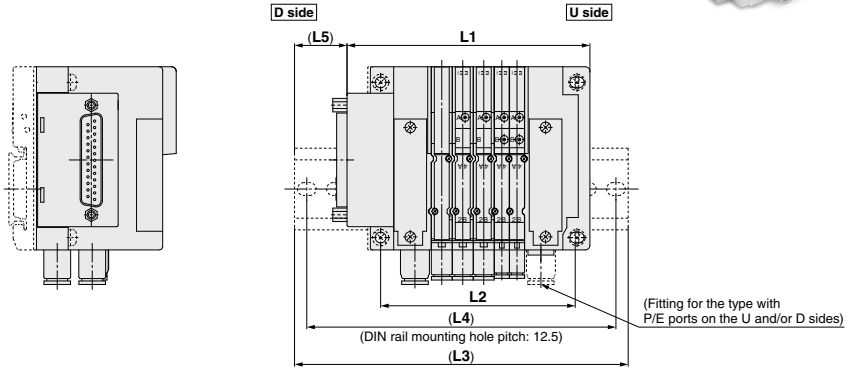
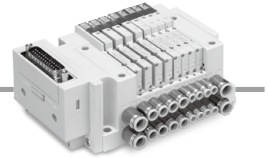
P, E port entry: D



Type 10/Side Ported
Mixed Size, Straight Port Type

Dimensions: JSY1000 Series

JJ5SY1-10□ - [Stations] $\frac{U}{D}$ - CM



- * Refer to page 118 for dimensions of external pilot and built-in silencer.
- * Refer to pages 86 to 89, 100, and 101 for dimensions when L6, b, and d are used for the calculation formula.
- * Refer to pages below for dimensions that are not specified in each wiring specification.

- D-sub connector (IP40/Connector entry direction adjustable) : pp. 44, 45
- D-sub connector (IP20/Compact type) : pp. 50, 51
- Flat ribbon cable (IP40/Connector entry direction adjustable) : pp. 53, 54
- Flat ribbon cable (IP20/Compact type) : pp. 57, 58
- Spring type terminal block box : pp. 66, 67
- Terminal block box : pp. 70, 71
- Lead wire : pp. 78, 79
- EX600 : pp. 86 to 89
- EX250 : pp. 100, 101
- EX260 : pp. 108, 109
- EX120 : pp. 114, 115

Calculation formula for dimensions

L1 = 6.5 x n1 + 9 x n2 + a + b x n3
 L2 = 6.5 x n1 + 9 x n2 + 43.4
 M = ((L1 + c) / 12.5) + 1 Decimal fractions are truncated.
 L3 = 12.5 x M + 23
 L4 = L3 - 10.5
 L5 = (L3 - L1 + c) / 2
 L6 = b x n3 + d

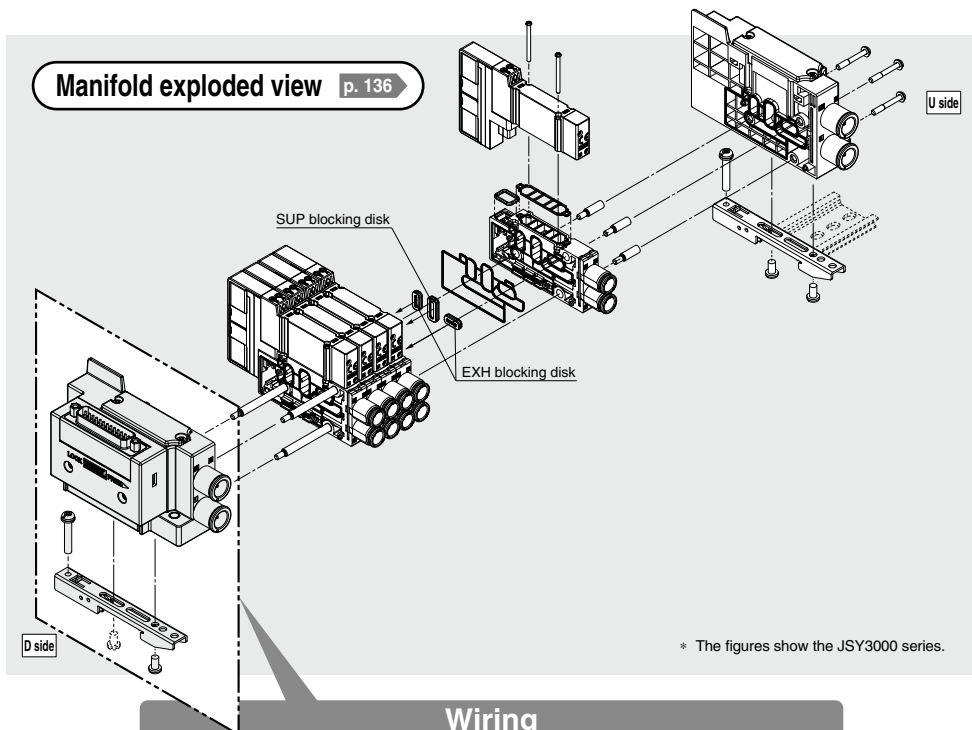
- n1: Number of 6.5 mm pitch manifold block stations (Applicable fittings: ø2, ø4)
- n2: Number of 9 mm pitch manifold block stations (Applicable fittings: ø6)
- n3: Number of I/O units or input block stations

	Coefficient	a	b	c	d
D-sub connector (IP20/Compact type)		64.1	—	6.1	—
D-sub connector/Flat ribbon cable (IP40/Connector entry direction adjustable)		83	—	6.1	—
Flat ribbon cable (IP20/Compact type)		59.1	—	11.2	—
Spring type terminal block box		125.5	—	—	—
Terminal block box		146.8	—	—	—
Lead wire		94.5	—	—	—
Serial transmission: EX600 (M12 connector)		139	47	—	83.8
Serial transmission: EX600 (7/8 inch connector)		155.5	47	—	83.8
Serial transmission: EX250		139	21	—	83.8
Serial transmission: EX260		86.2	—	—	—
Serial transmission: EX120		91.3	—	—	—

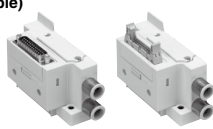

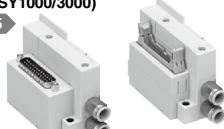


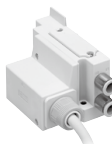
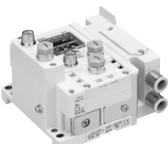




* FW [D-sub connector (IP67)] is not available for the JSY1000.

JSY1000/3000/5000 Series Type 10

Connector Connecting Base Manifold Exploded View



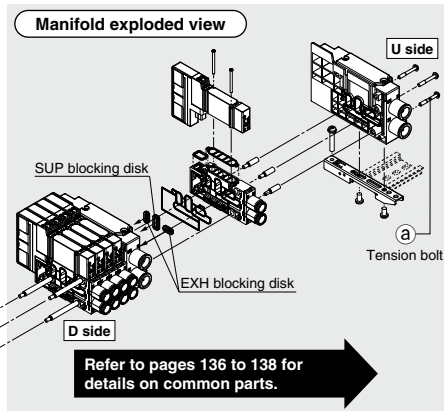
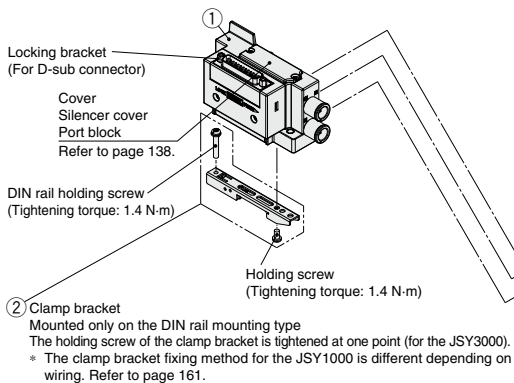
Wiring

<p>D-sub Connector/Flat Ribbon Cable (IP40/Connector Entry Direction Adjustable) p. 123</p> 	<p>D-sub Connector (IP67) (For JSY3000/5000) p. 124</p> 	<p>D-sub Connector/Flat Ribbon Cable (IP20/Compact Type) (For JSY1000/3000) p. 125</p> 	
<p>Terminal Block Box p. 126</p>  <p>Spring type (Compact type)</p>	<p>Terminal Block Box p. 127</p> 	<p>Lead Wire p. 128</p> 	<p>EX600 p. 129</p> 
<p>EX245 (For JSY3000/5000) p. 131</p> 	<p>EX250 p. 133</p> 	<p>EX260 p. 134</p> 	<p>EX120 p. 135</p> 

Connector Connecting Base Manifold Exploded View JSY1000/3000/5000 Series

Wiring

D-sub Connector/Flat Ribbon Cable (IP40/Connector Entry Direction Adjustable)



Manifold Parts Nos.

① SUP/EXH block assembly

JSY **3** 1M - 1P - **3** A **1** - **C10**

• Series

1	JSY1000
3	JSY3000
5	JSY5000

• Mounting

Nil	Direct mounting
D0	DIN rail mounting (Without DIN rail)

• SUP/EXH block assembly

3	D-sub connector (25 pins)
4	Flat ribbon cable (26 pins)
5	Flat ribbon cable (20 pins)
6	Flat ribbon cable (10 pins)

• P, E port size (One-touch fittings)

Symbol	P, E port	JSY1000	JSY3000	JSY5000
C8	ø8 One-touch fitting	●	—	—
C10	ø10 One-touch fitting	—	●	—
C12	ø12 One-touch fitting	—	—	●
00*1	Plug	●	●	●

*1 Can be selected when the pilot, silencer type symbol is "Nil" or "S"
Not available for "R" type

• Pilot, Silencer type

Symbol	Pilot type		Built-in silencer
	Internal	External (Made to Order)	
Nil	●	—	—
S	●	—	●
R	—	●	—

* The 3/5(E) port is plugged for the built-in silencer type.

• Connector entry direction

1	Upward
2	Lateral

SUP/EXH block assembly (D side) accessories and the number of accessories

Accessories	JSY1000 JSY3000	JSY5000
② Tension bolt	None*1	3 pcs.

*1 Since the nuts are embedded in the SUP/EXH block

② Clamp bracket

Series	Part no.
JSY1000	JSY11M-15P-1A
JSY3000	SY30M-15-1A
JSY5000	SY50M-15-1A

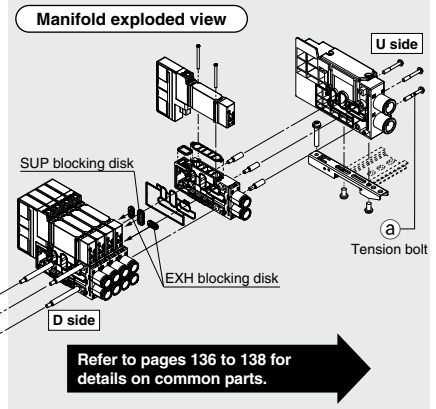
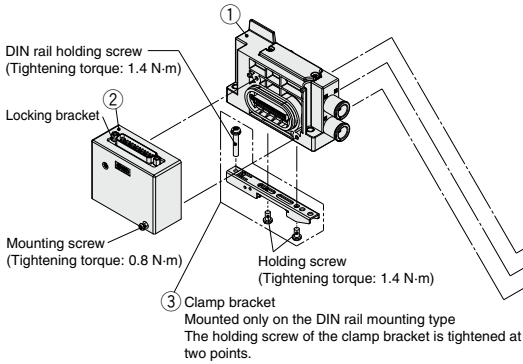
* The part number is for 1 piece.

JSY3000/5000 Series

Wiring

D-sub Connector (IP67)

(For JSY3000/5000)



Manifold Parts Nos.

① SUP/EXH block assembly

JSY 3 1M-1P-1A - C10

Series

3	JSY3000
5	JSY5000

Mounting

Nil	Direct mounting
D0	DIN rail mounting (Without DIN rail)

Pilot, Silencer type

Symbol	Pilot type		Built-in silencer
	Internal	External (Made to Order)	
Nil	●	—	—
S	●	—	●
R	—	●	—

* The 3/5(E) port is plugged for the built-in silencer type.

P, E port size (One-touch fittings)

Symbol	P, E port	JSY3000	JSY5000
C10	ø10 One-touch fitting	●	—
C12	ø12 One-touch fitting	—	●
00 ^{*1}	Plug	●	●

*1 Can be selected when the pilot, silencer type symbol is "Nil" or "S"
Not available for "R" type

SUP/EXH block assembly (D side) accessories and the number of accessories

Accessories	JSY3000	JSY5000
① Tension bolt	None ^{*1}	3 pcs.

*1 Since the nuts are embedded in the SUP/EXH block

② D-sub connector block <for IP67>

Part no.	Connector entry direction
SY30M-14-9A1	Upward
SY30M-14-9A2	Lateral

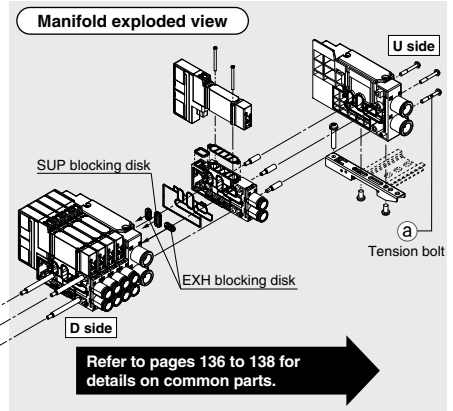
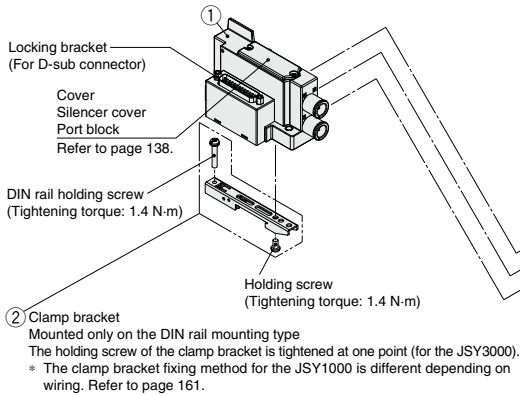
③ Clamp bracket

Series	Part no.
JSY3000	SY30M-15-1A
JSY5000	SY50M-15-1A

* The part number is for 1 piece.

Wiring**D-sub Connector/Flat Ribbon Cable (IP20/Compact Type)**

(For JSY1000/3000)

**Manifold Parts Nos.**

① SUP/EXH block assembly

JSY 3 1M - 1P - 9 A 1 - C10

● Series

1	JSY1000
3	JSY3000

● Mounting

Nil	Direct mounting
D0	DIN rail mounting (Without DIN rail)

● SUP/EXH block assembly

9	D-sub connector (25 pins)
10	Flat ribbon cable (26 pins)
11	Flat ribbon cable (20 pins)
12	Flat ribbon cable (10 pins)

● P, E port size (One-touch fittings)

Symbol	P, E port	JSY1000	JSY3000
C8	ø8 One-touch fitting	●	—
C10	ø10 One-touch fitting	—	●
00*1	Plug	●	●

*1 Can be selected when the pilot, silencer type symbol is "Nil" or "S"
Not available for "R" type

● Pilot, Silencer type

Symbol	Pilot type		Built-in silencer
	Internal	External (Made to Order)	
Nil	●	—	—
S	●	—	●
R	—	●	—

* The 3/5(E) port is plugged for the built-in silencer type.

● Connector entry direction

1	Upward
2	Lateral

② Clamp bracket

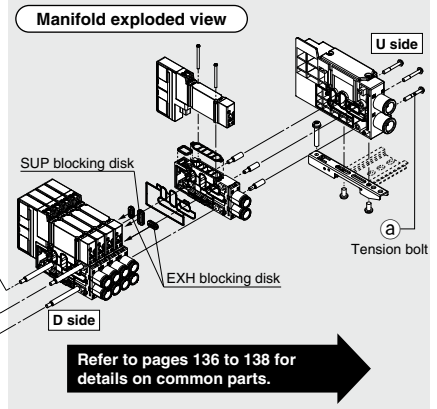
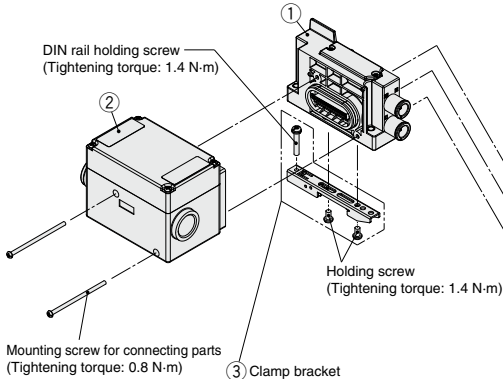
Series	Part no.
JSY1000	JSY11M-15P-1A
JSY3000	SY30M-15-1A

* The part number is for 1 piece.

JSY1000/3000/5000 Series

Wiring

Spring Type Terminal Block Box



③ **Clamp bracket**
 Mounted only on the DIN rail mounting type
 The holding screw of the clamp bracket is tightened at two points.
 * The clamp bracket fixing method for the JSY1000 is different depending on wiring. Refer to page 161.

Manifold Parts Nos.

① SUP/EXH block assembly

JSY **3** 1M-1P-1A **C10**

Series

1	JSY1000
3	JSY3000
5	JSY5000

Mounting

Nil	Direct mounting
D0	DIN rail mounting (Without DIN rail)

Pilot, Silencer type

Symbol	Pilot type		Built-in silencer
	Internal	External (Made to Order)	
Nil	●	—	—
S	●	—	●
R	—	●	—

* The 3/5(E) port is plugged for the built-in silencer type.

P, E port size (One-touch fittings)

Symbol	P, E port	JSY1000	JSY3000	JSY5000
C8	ø8 One-touch fitting	●	—	—
C10	ø10 One-touch fitting	—	●	—
C12	ø12 One-touch fitting	—	—	●
00*1	Plug	●	●	●

*1 Can be selected when the pilot, silencer type symbol is "Nil" or "S"
 Not available for "R" type

SUP/EXH block assembly (D side) accessories and the number of accessories

Accessories	JSY1000	JSY3000	JSY5000
② Tension bolt	None*1	3 pcs.	

*1 Since the nuts are embedded in the SUP/EXH block

② Terminal block assembly

SY30M-130-1A

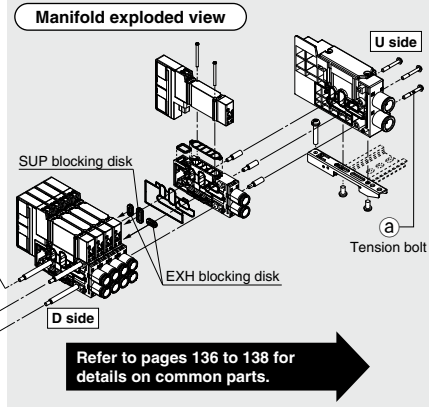
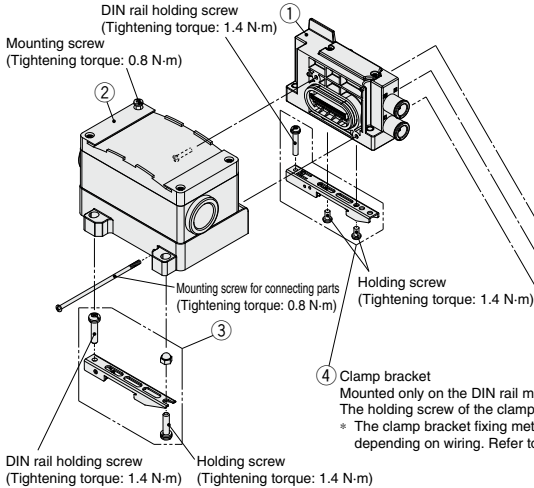
③ Clamp bracket

Series	Part no.
JSY1000	JSY11M-15P-1A
JSY3000	SY30M-15-1A
JSY5000	SY50M-15-1A

* The part number is for 1 piece.

Wiring

Terminal Block Box



Manifold Parts Nos.

① SUP/EXH block assembly

JSY 3 1M-1P-1A - **C10**

• Series

1	JSY1000
3	JSY3000
5	JSY5000

• Mounting

Symbol	Mounting	JSY1000	JSY3000	JSY5000
Nil	Direct mounting	●	●	●
D00	DIN rail mounting (Without DIN rail)	●	—	—
D0	DIN rail mounting (Without DIN rail)	—	●	●

• Pilot, Silencer type

Symbol	Pilot type		Built-in silencer
	Internal	External (Made to Order)	
Nil	●	—	—
S	●	—	●
R	—	●	—

* The 3/5(E) port is plugged for the built-in silencer type.

• P, E port size (One-touch fittings)

Symbol	P, E port	JSY1000	JSY3000	JSY5000
C8	ø8 One-touch fitting	●	—	—
C10	ø10 One-touch fitting	—	●	—
C12	ø12 One-touch fitting	—	—	●
00*1	Plug	●	●	●

*1 Can be selected when the pilot, silencer type symbol is "Nil" or "S"
Not available for "R" type

SUP/EXH block assembly (D side) accessories and the number of accessories

Accessories	JSY1000 JSY3000	JSY5000
② Tension bolt	None*1	3 pcs.

*1 Since the nuts are embedded in the SUP/EXH block

② Terminal block box housing assembly

VVQC1000-T0-1

③ Clamp bracket for terminal block box

SY30M-15-4A

④ Clamp bracket

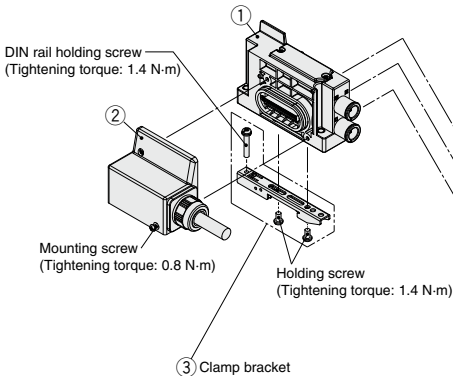
Series	Part no.
JSY1000	JSY11M-15P-2A
JSY3000	SY30M-15-1A
JSY5000	SY50M-15-1A

* The part number is for 1 piece.

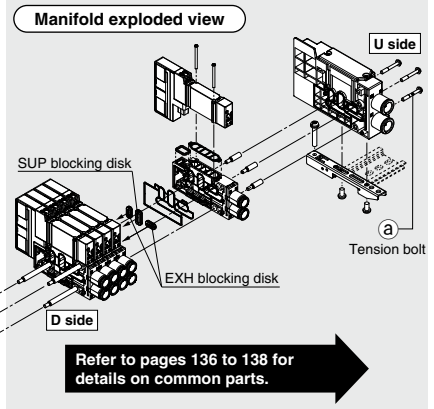
JSY1000/3000/5000 Series

Wiring

Lead Wire



Mounted only on the DIN rail mounting type
The holding screw of the clamp bracket is tightened at two points.
* The clamp bracket fixing method for the JSY1000 is different depending on wiring. Refer to page 161.



Manifold Parts Nos.

① SUP/EXH block assembly

JSY 3 1M-1P-1A - C10

Series

1	JSY1000
3	JSY3000
5	JSY5000

Mounting

Nil	Direct mounting
D0	DIN rail mounting (Without DIN rail)

Pilot, Silencer type

Symbol	Pilot type		Built-in silencer
	Internal	External (Made to Order)	
Nil	●	—	—
S	●	—	●
R	—	●	—

* The 3/5(E) port is plugged for the built-in silencer type.

P, E port size (One-touch fittings)

Symbol	P, E port	JSY1000	JSY3000	JSY5000
C8	ø8 One-touch fitting	●	—	—
C10	ø10 One-touch fitting	—	●	—
C12	ø12 One-touch fitting	—	—	●
00*1	Plug	●	●	●

*1 Can be selected when the pilot, silencer type symbol is "Nil" or "S"
Not available for "R" type

SUP/EXH block assembly (D side) accessories and the number of accessories

Accessories	JSY1000	JSY3000	JSY5000
Ⓐ Tension bolt	None*1	3 pcs.	

*1 Since the nuts are embedded in the SUP/EXH block

② Lead wire connector block assembly

SY30M-14-4A-1-1

Number of cores (Lead wire)

Symbol	Number of cores
1	34
2	17
3	9

Lead wire length [m]

Symbol	Length
1	0.6
2	1.5
3	3

③ Clamp bracket

Series	Part no.
JSY1000	JSY11M-15P-1A
JSY3000	SY30M-15-1A
JSY5000	SY50M-15-1A

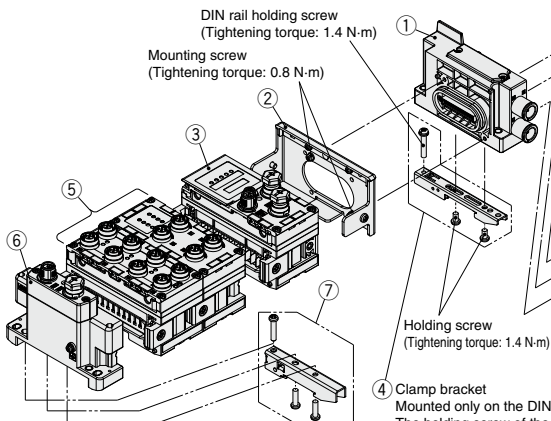
* The part number is for 1 piece.

Connector Connecting Base Manifold Exploded View JSY1000/3000/5000 Series

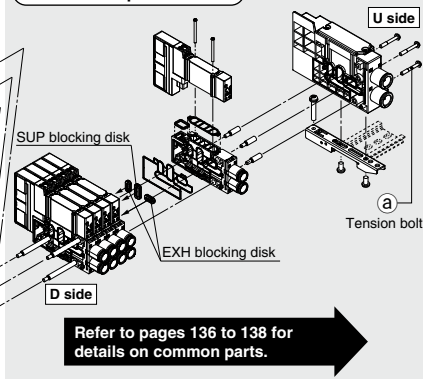
Note that EX600-SEC1 and EX600-SEC2 EtherCAT compatible SI units are to be discontinued as of October 2022.

Wiring

EX600



Manifold exploded view



Refer to pages 136 to 138 for details on common parts.

Manifold Parts Nos.

① SUP/EXH block assembly

JSY **3** 1M-1P-1A - C10

Series

1	JSY1000
3	JSY3000
5	JSY5000

Mounting

Symbol	Mounting	JSY1000	JSY3000	JSY5000
Nil	Direct mounting	●	●	●
D00	DIN rail mounting (Without DIN rail)	●	—	—
D0	DIN rail mounting (Without DIN rail)	—	●	●

Pilot, Silencer type

Symbol	Pilot type		Built-in silencer
	Internal	External (Made to Order)	
Nil	●	—	—
S	—	—	●
R	—	●	—

* The 3/5(E) port is plugged for the built-in silencer type.

P, E port size (One-touch fittings)

Symbol	P, E port	JSY1000	JSY3000	JSY5000
C8	ø8 One-touch fitting	●	—	—
C10	ø10 One-touch fitting	—	●	—
C12	ø12 One-touch fitting	—	—	●
00 ^{*1}	Plug	●	●	●

*1 Can be selected when the pilot, silencer type symbol is "Nil" or "S". Not available for "R" type

② Valve plate

EX600 - ZMV2

* With mounting screws (2 pcs. of M4 x 6 and 2 pcs. of M3 x 8)

④ Clamp bracket

Series	Part no.
JSY1000	JSY11M-15P-2A
JSY3000	SY30M-15-1A
JSY5000	SY50M-15-1A

* The part number is for 1 piece.

③ EX600 SI unit

EX600 - S **PR** **3**

Protocol

Symbol	Description
PR	PROFIBUS DP
DN	DeviceNet®
MJ	CC-Link
EN	EtherNet/IP™
EC	EtherCAT
PN	PROFINET

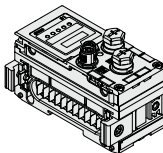
Version

Symbol	Description
Nil	When MJ, EN, EC, or PN is selected
A	When PR or DN is selected

Output type

Symbol	Description	Condition
3	PNP (Negative common)	Can be selected in the case of EN/PN ^{*1}
4	NPN (Positive common)	Can be selected in the case of EN/PN ^{*1}

*1 For EN: 2 ports EtherNet/IP™ product
For PN: IO-Link unit compatible product



SUP/EXH block assembly (D side)

accessories and the number of accessories

Accessories	JSY1000/3000	JSY5000
① Tension bolt	None ^{*1}	3 pcs.

*1 Since the nuts are embedded in the SUP/EXH block

(Wireless compatible)

EX600 - W **EN** **1**

Protocol

Symbol	SI unit type	Description
EN	Wireless base module	EtherNet/IP™ ^{*1}
PN	Wireless base module	PROFINET ^{*1}
SV	Wireless remote module	— ^{*1}

*1 The wireless system is suitable for use only in a country where it is in accordance with the Radio Act and regulations of that country.

Output type

Symbol	Description
1	PNP (Negative common)
2	NPN (Positive common)

JSY1000/3000/5000 Series

Manifold Parts Nos.

⑤ EX600 digital input unit

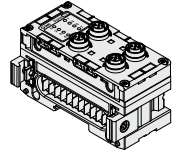
EX600-DX **P** **B**

Input type

Symbol	Description
P	PNP
N	NPN

Number of inputs, open-circuit detection, and connector

Symbol	Number of inputs	Open-circuit detection	Connector
B	8	No	M12 connector (5 pins) 4 pcs.
C	8	No	M8 connector (3 pins) 8 pcs.
C1	8	Yes	M8 connector (3 pins) 8 pcs.
D	16	No	M12 connector (5 pins) 8 pcs.
E	16	No	D-sub connector (25 pins)
F	16	No	Spring type terminal block (32 pins)



⑤ EX600 digital output unit

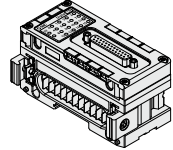
EX600-DY **P** **B**

Output type

Symbol	Description
P	PNP
N	NPN

Number of outputs and connector

Symbol	Number of outputs	Connector
B	8	M12 connector (5 pins) 4 pcs.
E	16	D-sub connector (25 pins)
F	16	Spring type terminal block (32 pins)



⑤ EX600 digital input/output unit

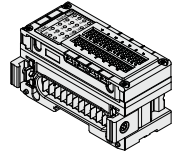
EX600-DM **P** **E**

Input/Output type

Symbol	Description
P	PNP
N	NPN

Number of inputs/outputs and connector

Symbol	Number of inputs	Number of outputs	Connector
E	8	8	D-sub connector (25 pins)
F	8	8	Spring type terminal block (32 pins)



⑤ EX600 analog input/output unit

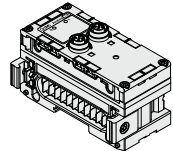
EX600-AX **A**

Analog input/output

Symbol	Description
AX	Analog input
AY	Analog output

Number of input channels and connector

Symbol	Number of input channels	Connector
A	2 channels	M12 connector (5 pins) 2 pcs.



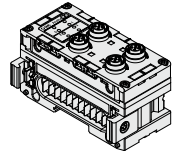
⑤ EX600 analog input/output unit

EX600-AM **B**

Analog input/output

Number of input/output channels and connector

Symbol	Number of input channels	Number of output channels	Connector
B	2 channels	2 channels	M12 connector (5 pins) 4 pcs.



⑤ EX600 IO-Link unit

EX600-L **A** **B** **1**

Port specification

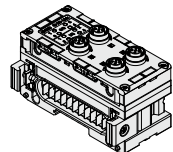
Symbol	Description
A	Port class A
B	Port class B

Number of ports and connector

Symbol	Number of ports	Connector
B	4 ports	M12 connector (5 pins) 4 pcs.

⚠ Caution

The applicable SI unit models are the PROFINET compatible EX600-SPN3 and EX600-SPN4. While there is also an EtherNet/IP™ compatible made-to-order specification, the EX600-SEN3-X80, the manifold will also need to be made to order in this case.



⑥ EX600 end plate

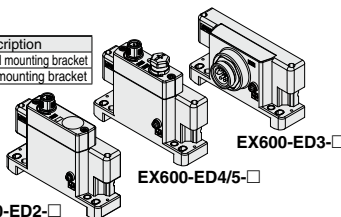
EX600-ED **2** - □

Power connector

Symbol	Connector
2	M12 power supply connector, B-coded
3	7/8 inch power supply connector
4	M12 power supply connector IN/OUT, A-coded, Pin arrangement 1
5	M12 power supply connector IN/OUT, A-coded, Pin arrangement 2

Mounting

Symbol	Description
Nil	Without DIN rail mounting bracket
3	With DIN rail mounting bracket



⑦ Clamp bracket for EX600

EX600-ZMA3

Enclosed parts

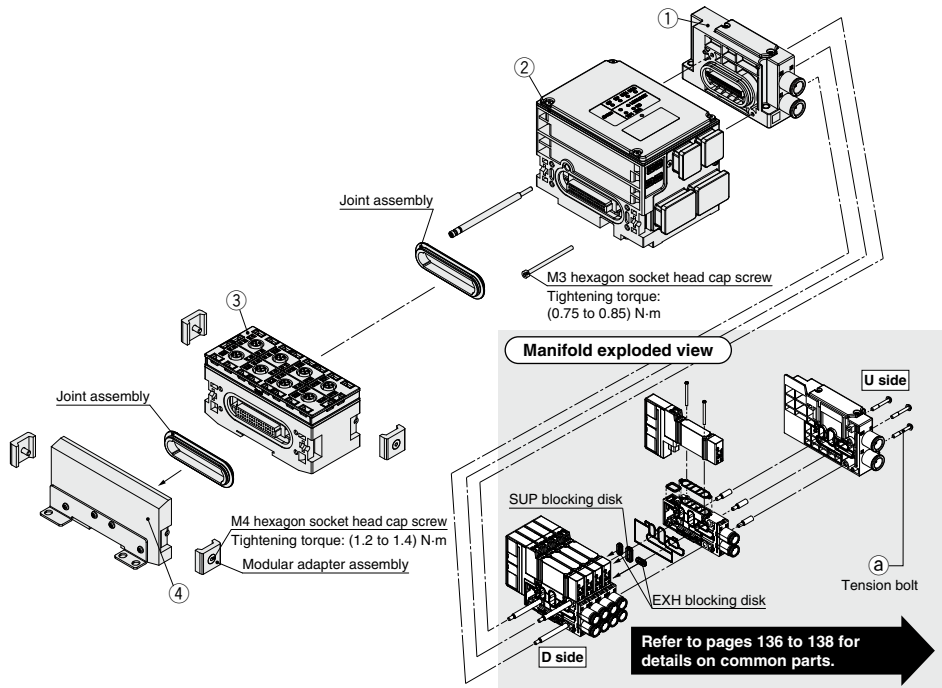
Round head screw with washer (M4 x 20) 1 pc.
P-tight screw (4 x 14) 2 pcs.



* The pin layout for the "4" and "5" pin connectors is different.

Wiring

EX245



Manifold Parts Nos.

① SUP/EXH block assembly

JSY **3** 1M - 1P - 1A - **C10**

Series

3	JSY3000
5	JSY5000

Pilot, Silencer type

Symbol	Pilot type		
	Internal	External (Made to Order)	Built-in silencer
Nil	●	—	—
S	●	—	●
R	—	●	—

* The 3/5(E) port is plugged for the built-in silencer type.

P, E port size (One-touch fittings)

Symbol	P, E port	JSY3000	JSY5000
C10	ø10 One-touch fitting	●	—
C12	ø12 One-touch fitting	—	●
00 ^{*1}	Plug	●	●

*1 Can be selected when the pilot, silencer type symbol is "Nil" or "S"
Not available for "R" type

SUP/EXH block assembly (D side) accessories and the number of accessories

Accessories	JSY3000	JSY5000
Ⓐ Tension bolt	None ^{*1}	3 pcs.

*1 Since the nuts are embedded in the SUP/EXH block

② EX245 SI unit

EX245 - SPN **1A**

SI unit
PROFINET



EX245-SPN1A EX245-SPN2A EX245-SPN3A

Connector type

Symbol	Communication connector	Power supply connector
1A	Push Pull connector (SCRJ): 2 pcs.	Push Pull connector (24 V): 2 pcs.
2A	Push Pull connector (RJ45): 2 pcs.	Push Pull connector (24 V): 2 pcs.
3A	M12 connector (4-pin, Socket, D-coded): 2 pcs.	7/8 inch connector (5-pin, Plug): 1 pc. 7/8 inch connector (5-pin, Socket): 1 pc.

Refer to pages 136 to 138 for details on common parts.

JSY3000/5000 Series

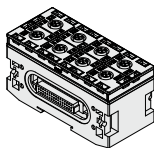
Manifold Parts Nos.

③ EX245 digital input module

EX245 – DX1

• Digital input module specification

DX1	Digital input (16 inputs)
-----	---------------------------

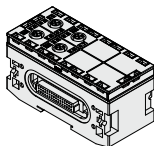


③ EX245 digital output module

EX245 – DY1

• Digital output module specification

DY1	Digital output (8 outputs)
-----	----------------------------

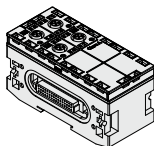


③ EX245 IO-Link module

EX245 – L A 1

• Port specification

Symbol	Description
A	Port class A
B	Port class B



⚠ Caution

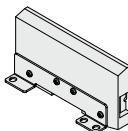
The only available SI unit part number is "EX245-SPNmA" (PROFINET compatible). Refer to page 131.

④ EX245 end plate

EX245 – EA2 – 3

• Bracket

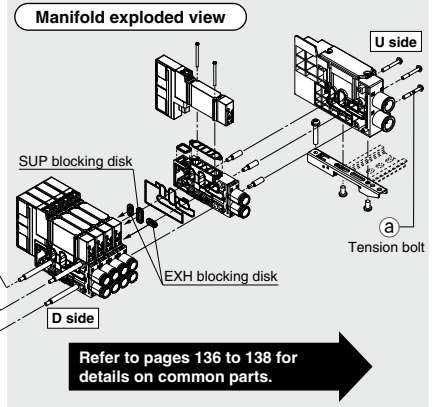
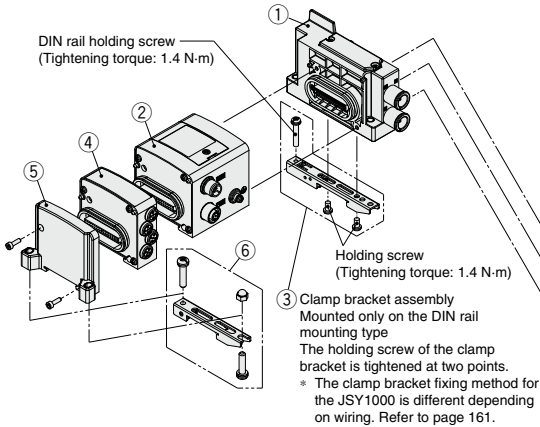
3	For JSY
---	---------



* Refer to page 94 for manifold valve part numbers.
Bracket 3 to 5 correspond to the mounting hole pitch of each manifold valve.

Wiring

EX250



Manifold Parts Nos.

① SUP/EXH block assembly

JSY **3** 1M-1P-1A **C10**

• Series

1	JSY1000
3	JSY3000
5	JSY5000

• Pilot, Silencer type

Symbol	Pilot type		
	Internal	External (Made to Order)	Built-in silencer
Nll	●	—	—
S	●	—	●
R	—	●	—

* The 3/5(E) port is plugged for the built-in silencer type.

• Mounting

Symbol	Mounting	JSY1000	JSY3000	JSY5000
Nll	Direct mounting	●	●	●
D00	DIN rail mounting (Without DIN rail)	●	—	—
D0	DIN rail mounting (Without DIN rail)	—	—	●

• P, E port size (One-touch fittings)

Symbol	P, E port	JSY1000	JSY3000	JSY5000
C8	ø8 One-touch fitting	●	—	—
C10	ø10 One-touch fitting	—	●	—
C12	ø12 One-touch fitting	—	—	●
00*1	Plug	●	●	●

*1 Can be selected when the pilot, silencer type symbol is "Nll" or "S"
Not available for "R" type

SUP/EXH block assembly (D side) accessories and the number of accessories

Accessories	JSY1000 JSY3000	JSY5000
③ Tension bolt	None*1	3 pcs.

*1 Since the nuts are embedded in the SUP/EXH block

Note that the EX250-SPR1 PROFIBUS DP compatible SI unit is to be discontinued as of November 2022.

② EX250 SI unit

EX250 - S **DN1**

• Communication protocol

DN1	DeviceNet® (Negative common)
PR1	PROFIBUS DP (Negative common)
AS3	AS-Interface (8 in/8 out, 31 slave modes, 2 isolated common type) (Negative common)
AS5	AS-Interface (4 in/4 out, 31 slave modes, 2 isolated common type) (Negative common)
AS7	AS-Interface (8 in/8 out, 31 slave modes, 1 common type) (Negative common)
AS9	AS-Interface (4 in/4 out, 31 slave modes, 1 common type) (Negative common)
CA1A	CANopen (Negative common)
EN1	EtherNet/IP™ (Negative common)

③ Clamp bracket

Series	Part no.
JSY1000	JSY11M-15P-2A
JSY3000	SY30M-15-1A
JSY5000	SY50M-15-1A

* The part number is for 1 piece.

④ Input block

EX250 - IE **1**

• Block type

1	M12 connector, 2 inputs
2	M12 connector, 4 inputs
3	M8 connector, 4 inputs

⑤ EX250 end plate assembly

EX250 - EA1

* With mounting screws (2 pcs. of M3 x 10)

⑥ Clamp bracket assembly for EX250

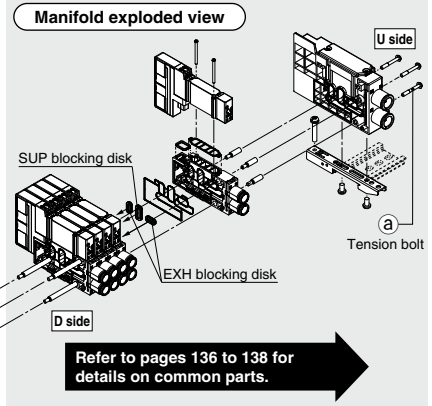
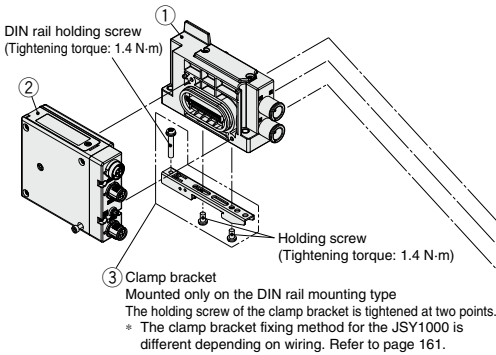
SY30M - 15 - 3A

* The part number is for 1 assembly.

JSY1000/3000/5000 Series

Wiring

EX260



Manifold Parts Nos.

① SUP/EXH block assembly

JSY **3** 1M-1P-1A **C10**

Series

1	JSY1000
3	JSY3000
5	JSY5000

Mounting

Nil	Direct mounting
D0	DIN rail mounting (Without DIN rail)

• P, E port size (One-touch fittings)

Symbol	P, E port	JSY1000	JSY3000	JSY5000
C8	ø8 One-touch fitting	●	—	—
C10	ø10 One-touch fitting	—	●	—
C12	ø12 One-touch fitting	—	—	●
00*1	Plug	●	●	●

*1 Can be selected when the pilot, silencer type symbol is "Nil" or "S"
Not available for "R" type

Pilot, Silencer type

Symbol	Pilot type		
	Internal	External (Made to Order)	Built-in silencer
Nil	●	—	—
S	●	—	●
R	—	●	—

* The 3/5(E) port is plugged for the built-in silencer type.

SUP/EXH block assembly (D side) accessories and the number of accessories

Accessories	JSY1000/3000	JSY5000
(a) Tension bolt	None*1	3 pcs.

*1 Since the nuts are embedded in the SUP/EXH block

② EX260 SI unit (Fieldbus and Industrial Ethernet)

EX260 - S **PR1**

• Communication protocol

Symbol	Protocol	Number of outputs	SI unit output polarity	Communication connector	Manifold symbol	Symbol	Protocol	Number of outputs	SI unit output polarity	Communication connector	Manifold symbol			
DN1	DeviceNet®	32	Source/PNP (Negative common)	M12	QAN	EC1	EtherCAT	32	Source/PNP (Negative common)	M12	DAN			
DN2			Sink/NPN (Positive common)			EC2			Sink/NPN (Positive common)		DA			
DN3			Source/PNP (Negative common)			EC3			Source/PNP (Negative common)		DBN			
DN4			Sink/NPN (Positive common)			EC4			Sink/NPN (Positive common)		DB			
PR1	PROFIBUS DP	32	Source/PNP (Negative common)	M12	NAN	PN1	PROFINET	32	Source/PNP (Negative common)	M12	FAN			
PR2			Sink/NPN (Positive common)			PN2			Sink/NPN (Positive common)		FA			
PR3			Source/PNP (Positive common)			PN3			Source/PNP (Negative common)		FBN			
PR4			Sink/NPN (Negative common)			PN4			Sink/NPN (Positive common)		FB			
PR5		16	Source/PNP (Negative common)	D-sub*1	NCN	EN1	EtherNet/IP™	32	Source/PNP (Negative common)	M12	EAN			
PR6			Sink/NPN (Positive common)			EN2			Sink/NPN (Positive common)		EA			
PR7			Source/PNP (Negative common)			EN3			Source/PNP (Negative common)		EBN			
PR8			Sink/NPN (Positive common)			EN4			Sink/NPN (Positive common)		EB			
MJ1	CC-Link	32	Source/PNP (Negative common)	M12	VAN	Ethernet	32	Source/PNP (Negative common)	M12	GAN				
MJ2			Sink/NPN (Positive common)					PL3		POWERLINK	16	Source/PNP (Negative common)	GBN	
MJ3			Source/PNP (Negative common)					IL1		IO-Link	32	Source/PNP (Negative common)	M12	KAN
MJ4			Sink/NPN (Positive common)											

*1 Enclosure is IP40 when the communication connector is D-sub.

EX260 SI Unit (Safety Communication)

EX260 - F **PS1**

• Communication protocol

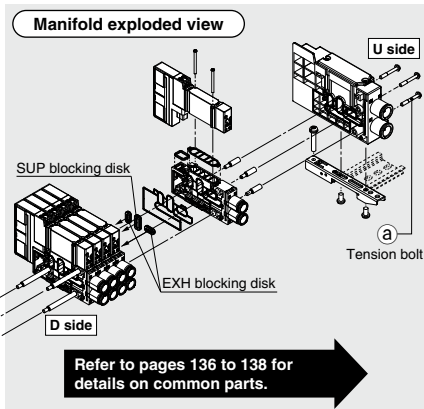
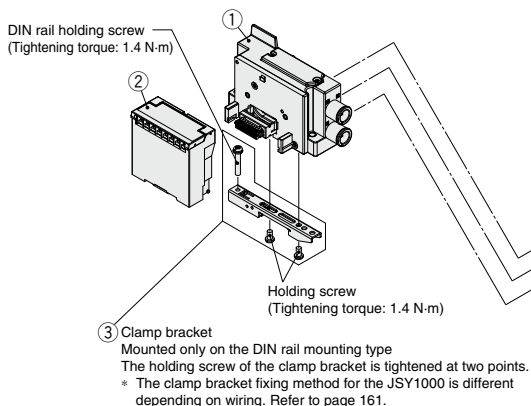
Symbol	Protocol	Number of outputs	SI unit output polarity	Communication connector	Manifold symbol
PS1	PROFIsafe	32	Source/PNP (Negative common)	M12	FPN

③ Clamp bracket

Series	Part no.
JSY1000	JSY11M-15P-1A
JSY3000	SY30M-15-1A
JSY5000	SY50M-15-1A

* The part number is for 1 piece.

Wiring

EX120**Manifold Parts Nos.**

① SUP/EXH block assembly

JSY 3 1M - 1P - 14A - C10

• Series

1	JSY1000
3	JSY3000
5	JSY5000

• Mounting

Nil	Direct mounting
D0	DIN rail mounting (Without DIN rail)

• Pilot, Silencer type

Symbol	Pilot type		Built-in silencer
	Internal	External (Made to Order)	
Nil	●	—	—
S	●	—	●
R	—	●	—

* The 3/5(E) port is plugged for the built-in silencer type.

• P, E port size (One-touch fittings)

Symbol	P, E port	JSY1000	JSY3000	JSY5000
C8	ø8 One-touch fitting	●	—	—
C10	ø10 One-touch fitting	—	●	—
C12	ø12 One-touch fitting	—	—	●
00*1	Plug	●	●	●

*1 Can be selected when the pilot, silencer type symbol is "Nil" or "S"
Not available for "R" type

SUP/EXH block assembly (D side) accessories and the number of accessories

Accessories	JSY1000/3000	JSY5000
① Tension bolt	None*1	3 pcs.

*1 Since the nuts are embedded in the SUP/EXH block

② EX120 SI unit

EX120 - S DN1

• Communication protocol

DN1	DeviceNet® (Positive common)
CS1	OMRON Corp.: CompoBus/S (16 outputs) (Positive common)
CS2	OMRON Corp.: CompoBus/S (8 outputs) (Positive common)
MJ1	CC-Link (Positive common)
CM1	CompoNet® NPN (Positive common)
CM3	CompoNet® PNP (Negative common)

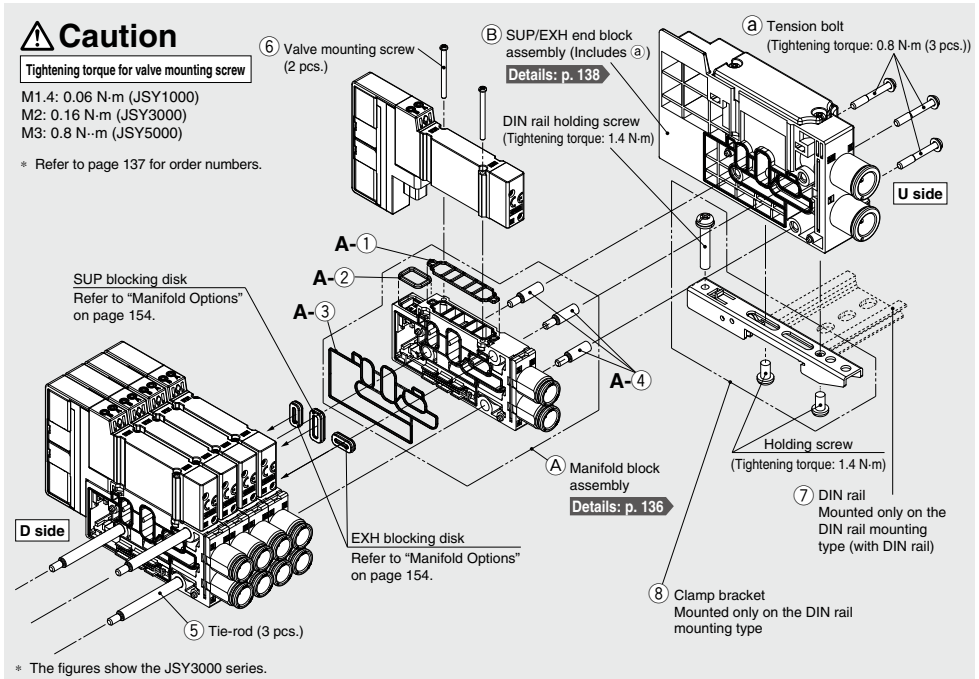
③ Clamp bracket

Series	Part no.
JSY1000	JSY11M-15P-1A
JSY3000	SY30M-15-1A
JSY5000	SY50M-15-1A

* The part number is for 1 piece.

JSY1000/3000/5000 Series

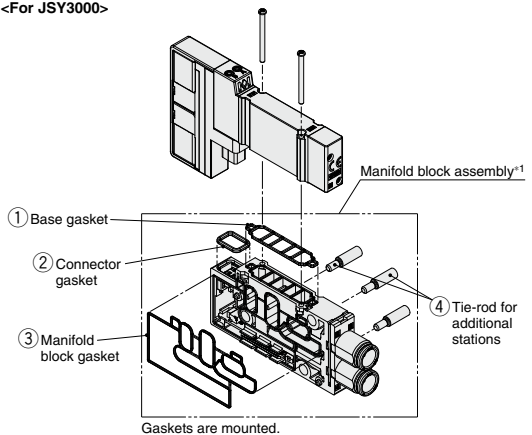
Manifold Exploded View [Common Parts]



Type 10: How to Increase Connector Type Manifolds

- 1 Loosen the U-side tension bolt **a**, and remove the **B** SUP/EXH end block assembly.
- 2 Screw in **4** tie-rods for additional stations to the **5** tie-rod of the manifold.
(Screw them in until there is no gap between the tie-rods.)
- 3 Connect the **A** manifold block assembly and **B** SUP/EXH end block assembly to be added, and tighten the tension bolt **a**.

<For JSY3000>



Tightening torque for tension bolt **a (M3): 0.8 N-m**

⚠ Caution

1. Be sure to shut off the power and air supplies before disassembly.
Furthermore, since air may remain inside the actuator, piping, and manifold, confirm that the air is completely exhausted before performing any work.
2. When disassembly and assembly are performed, air leakage may result if the tightening of the tension bolt is inadequate.

*1 Manifold block assembly

No.	Description	Quantity	Note
①②③	Gasket	1 pc. of each	For base, connector, and manifold block
④	Tie-rod for additional stations	3	

Refer to page 137 for ordering single unit.

* ② Connector gasket is not applicable to the JSY1000.

For the JJ5SY1-10, JJ5SY3-10, JJ5SY5-10

No.	Description	JSY1000		JSY3000	JSY5000	Note	
		6.5 mm pitch	9 mm pitch				
A-①	Manifold block assembly	Base gasket (for connector connecting base)		JSY11M-9P-1A	JSY31M-9P-1A	JSY51M-9P-1A	Part numbers shown on the left are for 10 valves. (10 pcs.)
A-②		Connector gasket		SX3000-146-2		Supplied individually	
A-③		Manifold block gasket		JSY11M-9P-2	JSY31M-9P-2	JSY51M-9P-2	Supplied individually
A-④		Tie-rod for additional stations*1		JSY11M-49P-1-1-A (6.5 mm pitch)	JSY11M-49P-2-1-A (9 mm pitch)	JSY31M-49P-1-1-A (11.5 mm pitch)	SV2000-55-2A-A (16 mm pitch)
⑤	Tie-rod	JSY11M-49P-1-□-A (6.5 mm pitch)	JSY11M-49P-2-□-A (9 mm pitch)	JSY31M-49P-1-□-A (11.5 mm pitch)	SV2000-55-1-□-A (16 mm pitch)	□: Manifold stations (2 to 24 stations) 3 pcs. supplied	□: Manifold stations (2 to 24 stations) 3 pcs. supplied
⑥	Valve mounting screw	JSY11V-23-1A (M1.4 x 21.5)		JSY31V-23-1A (M2 x 25)	JSY51V-23-1A (M3 x 29)	Part numbers shown on the left are for 10 valves. (20 pcs.)	
⑦	DIN rail	VZ1000-11-1-□			VZ1000-11-4-□	Refer to page 152.	
⑧	Clamp bracket*2 (for connector connecting base)	JSY11M-15P-1A (Refer to the table below.) ^{*2}	JSY11M-15P-2A (Refer to the table below.) ^{*2}	SY30M-15-1A	SY50M-15-1A	Supplied individually	

*1 The manifold of the JSY1000/3000 (JJ5SY1-10/JJ5SY3-10) can be assembled by connecting the tie-rods for number of manifold stations. The manifold of the JSY5000 (JJ5SY5-10) cannot be assembled by connecting the tie-rods for additional stations for the number of manifold. Tie-rod (SV2000-55-1-□-A) is necessary.

*2 Part number of the clamp bracket for the JSY1000 is different depending on the manifold wiring. Refer to the table below. Refer to page 161 for assembly.

Table. JSY1000 series clamp bracket

Wiring (JSY1000 series)		JSY11M-15P-1A	JSY11M-15P-2A
F	D-sub connector	●	—
P□	Flat ribbon cable	—	—
TC	Spring type terminal block box	●	—
T	Terminal block box	—	●
L	Lead wire	●	—
S6	EX600	—	●
S□	EX250	—	●
S□□	EX260	●	—
S3	EX120	●	—

Manifold Parts Nos.**(A) Manifold block assembly**

JSY **3** 1M-2P-**1** D A-C**8**

Series

1	JSY1000
3	JSY3000
5	JSY5000

Manifold pitch

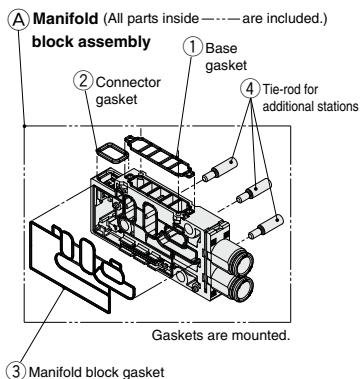
1	JSY1000 (6.5 mm pitch) JSY3000 (11.5 mm pitch) JSY5000 (16 mm pitch)
2	JSY1000 (9 mm pitch)

Wiring type

S	Single wiring
D	Double wiring

A, B port size (One-touch fittings)

Symbol	A, B port	JSY1000		JSY3000	JSY5000
		6.5 mm pitch	9 mm pitch		
C2	ø2 One-touch fitting	●	—	—	—
C4	ø4 One-touch fitting	●	—	—	—
C6	ø6 One-touch fitting	—	●	●	—
C8	ø8 One-touch fitting	—	—	●	—
C10	ø10 One-touch fitting	—	—	—	●
C12	ø12 One-touch fitting	—	—	—	●

**Manifold block assembly accessories and the number of accessories**

Accessories	Quantity
① Base gasket	1 pc.
② Connector gasket*1	1 pc.
③ Manifold block gasket	1 pc.
④ Tie-rod for additional stations	3 pcs.

*1 Not applicable to the JSY1000 series

JSY1000/3000/5000 Series

Manifold Parts Nos.

② SUP/EXH end block assembly

JSY **3** 1M-3P-1A **C10**

Series

1	JSY1000
3	JSY3000
5	JSY5000

Pilot, Silencer type

Symbol	Pilot type		Built-in silencer
	Internal	External (Made to Order)	
Nil	●	—	—
S	●	—	●
R	—	●	—

* The 3/5(E) port is plugged for the built-in silencer type.

P, E port size (One-touch fittings)

Symbol	P, E port	JSY1000	JSY3000	JSY5000
C8	ø8 One-touch fitting	●	—	—
C10	ø10 One-touch fitting	—	●	—
C12	ø12 One-touch fitting	—	—	●
00*1	Plug	●	●	●

*1 Can be selected when the pilot, silencer type symbol is "Nil" or "S"
Not available for "R" type

Mounting

Nil	Direct mounting
D0	DIN rail mounting (Without DIN rail)
D00*1	DIN rail mounting (Without DIN rail)

*1 Part number only for the JSY1000

Part number is different depending on the wiring. Refer to Table 1.

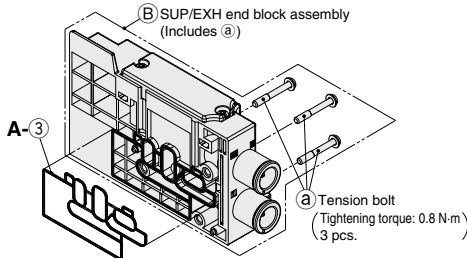
Table 1. JSY1000 series DIN rail mounting

Symbol	Wiring
D0	D-sub connector (F type)
	Flat ribbon cable (P□ type)
	Spring type terminal block box (TC type)
	Lead wire (L type)
D00	EX260 (S□□ type)
	EX120 (S3 type)
	Terminal block box (T type)
D00	EX600 (S6 type)
	EX250 (S□ type)

SUP/EXH end block assembly accessories and the number of accessories

Accessories	Quantity
a) Tension bolt	3 pcs.
A-3) Manifold block gasket	1 pc.

* Gasket is mounted.



⑧ Clamp bracket

Series		Part no.
JSY1000	For D0	JSY11M-15P-1A
	For D00	JSY11M-15P-2A
JSY3000		SY30M-15-1A
JSY5000		SY50M-15-1A

* The part number is for 1 piece.

* Part number of the JSY1000 is different depending on the manifold wiring.

Refer to the Table 1. JSY1000 series DIN rail mounting for selecting a clamp bracket.

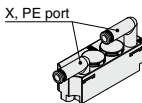
■ Cover, Silencer cover, Port block for SUP/EXH (end) block assembly



Cover
(Internal pilot)



Silencer cover
(Internal pilot, Built-in silencer)



Port block
(External pilot: Made to Order)

* Cover, silencer cover, and port block are included in the SUP/EXH (end) block assembly, but they need to be ordered for piping specification change.
* Mounting screws (2 pcs.) for SUP/EXH end block assembly are included.

Tightening torque for mounting screw
JSY1000 (M2.5): 0.32 N·m
JSY3000 (M3): 0.8 N·m
JSY5000 (M4): 1.4 N·m

JSY **3** 1M-4P-1A

JSY **3** 1M-5P-1A

JSY **3** 1M-6P-1AR-00

Series

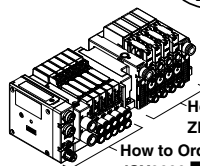
1	JSY1000
3	JSY3000
5	JSY5000

⚠ Caution

- Be sure to shut off the power and air supplies before disassembly. Furthermore, since air may remain inside the actuator, piping, and manifold, confirm that the air is completely exhausted before performing any work.
- When disassembly and assembly are performed, air leakage may result if the tightening of the cover and port block assemblies are inadequate.

Type 10
Side Ported

JSY3000 Series



How to Order
ZK2 pp.142,143

How to Order
JSY3000 pp.140,141

Specify the valve manifold and mounted valve part numbers as well as the ejector manifold and mounted ejector part numbers for ordering. Refer to page 141 for an order example.

Internal Pilot

How to Order Manifolds

Valve Manifold

JJ5SY 3 - 10 SQ 1 A - 05 DS - C6 - M

1 2 3 4 5 6 7 8 9

1 Series

3	JSY3000
---	---------

2 Type

10	Side ported
----	-------------

3 Connector type, Wiring, Number of cores, SI unit

Symbol	Type	Page	
F	D-sub connector (25 pins)	42	
FW			IP40
FC			IP67
P	Flat ribbon cable	26 pins	
PG			20 pins
PH			10 pins
PC	Flat ribbon cable Compact type	26 pins	
PGC			20 pins
PHC			10 pins
TC	Spring type terminal block box	64	
T	Terminal block box		
L1	Lead wire	34 cores	
L2		17 cores	
L3		9 cores	
S6□	Serial transmission	EX600	
S□		EX245	
S□		EX250	
S□		EX260	
S3□		EX120	

4

• Connector entry direction (F□/P□)

Symbol	Type
1	Upward
2	Downward

• Lead wire length (L1/L2/L3)

Symbol	Type
1	0.6 m
2	1.5 m
3	3 m

• SI unit output polarity, End plate type (S6□)

Refer to page 84.

• With or without I/O modules (S□)

Refer to page 94.

• Input block stations (S□)

Refer to page 98.

5 I/O unit stations (S6□)

Refer to page 84.

• Number of I/O modules (S□)

Refer to page 94.

• Input block type (S□)

Refer to page 98.

7 P, E port entry, SUP/EXH block assembly

Symbol	P, E port entry	SUP/EXH block assembly	Application
U	U side (2 to 10 stations)	Internal pilot	All
D	D side (2 to 10 stations)		
B	Both sides (2 to 24 stations)		
US	U side (2 to 10 stations)	Internal pilot, Built-in silencer	D-sub connector (F□), Terminal block box (TC, T), Flat ribbon cable (P□), Lead wire (L□)
DS	D side (2 to 10 stations)		
BS	Both sides (2 to 24 stations)	Internal pilot, Built-in silencer	EX600(S6□) EX250(S□)
C	U side (2 to 10 stations)		
E	D side (2 to 10 stations)		
F	Both sides (2 to 24 stations)		

* The 3/5(E) port is plugged for the built-in silencer type.

* When the built-in silencer type is used, keep the exhaust port from coming into direct contact with water or other liquids.

* The external pilot specification should be ordered as Made to Order. For details, refer to page 156.

8 A, B port size (Metric/One-touch fitting)

Symbol	A, B port	P, E port
C6	Straight ø6	ø10
C8	Straight ø8	
CM*1	Straight port, mixed sizes	

*1 Indicate the sizes on the manifold specification sheet in the case of "CM."

9 Mounting

Symbol	Mounting
Nil	Direct mounting
D	DIN rail mounting (With DIN rail)
D0	DIN rail mounting (Without DIN rail)

* Refer to page 160 for details on securing the DIN rail mounting type manifold.

6 Valve stations

• For 32 output points (TC/L1/S6□/S□)

Symbol	Stations	Note
02	2 stations	Double wiring*1
15	15 stations	
02	2 stations	Specified layout*2 (Up to 30 solenoids available)
24	24 stations	

• For 20 output points(T)

Symbol	Stations	Note
02	2 stations	Double wiring*1
09	9 stations	
02	2 stations	Specified layout*2 (Up to 18 solenoids available)
18	18 stations	

• For 16 output points (L2/S□/S3□)

Symbol	Stations	Note
02	2 stations	Double wiring*1
07	7 stations	
02	2 stations	Specified layout*2 (Up to 14 solenoids available)
14	14 stations	

• For 24 output points (F/FW/FC/P/PC)

Symbol	Stations	Note
02	2 stations	Double wiring*1
11	11 stations	
02	2 stations	Specified layout*2 (Up to 22 solenoids available)
22	22 stations	

• For 18 output points (PG/PGC)

Symbol	Stations	Note
02	2 stations	Double wiring*1
08	8 stations	
02	2 stations	Specified layout*2 (Up to 16 solenoids available)
16	16 stations	

• For 8 output points (PH/PHC/L3)

Symbol	Stations	Note
02	2 stations	Double wiring*1
03	3 stations	
02	2 stations	Specified layout*2 (Up to 6 solenoids available)
06	6 stations	

*1 Double wiring: 2-position single, double, 3-position, and 4-position valves can be used on all manifold stations. The use of a 2-position single solenoid will result in an unused control signal.

*2 Specified layout: Indicate the wiring specifications on the manifold specification sheet. (Note that 2-position double, 3-position, and 4-position valves cannot be used where single wiring has been specified.)

* The total number of solenoids for the valve and ejector should not exceed the number of output points. (Number of ejector solenoids: 2 per station)

* This also includes the number of blanking plates.

* For models without an SI unit (S0), note the number of output points of the SI unit that will be mounted.

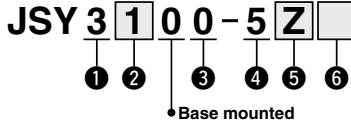
Specify the valve manifold and mounted valve part numbers as well as the ejector manifold and mounted ejector part numbers for ordering. Refer to the bottom of this page for an order example.

Internal Pilot

How to Order Valves (With mounting screw)

Refer to page 34 for valve specifications.

JSY3000 Series



Made to Order
(Refer to page 156 for details.)

Specification
With power-saving circuit (Continuous duty type): 0.1 W (JSY3000)
External pilot

1 Series

3	JSY3000
---	---------

2 Type of actuation

1	2-position	Single
2		Double
3	3-position	Closed center
4		Exhaust center
5		Pressure center
A	4-position dual 3-port	N.C./N.C.
B		N.O./N.O.
C		N.C./N.O.

3 Pilot valve exhaust method

0	Pilot valve individual exhaust
---	--------------------------------

4 Rated voltage

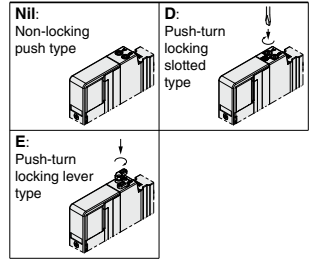
5	24 VDC
---	--------

5 Light/surge voltage suppressor and common specification

Symbol	With light	Surge voltage suppressor	Common specification
U	•	•	Non-polar
Z	•	•	Positive common
NZ	•	•	Negative common

- * When the non-polar common specification type is selected, take measures to prevent surge voltage. For details, refer to page 159.
- * For fieldbus compatible manifolds, ensure that the output polarity of the SI unit matches the common specification of the valve. Note that the common specification of the ejector is non-polar.

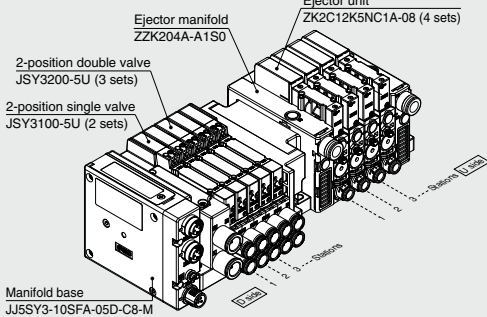
6 Manual override



- * **When ordering a valve individually, the base gasket is not included.** Since the base gasket is attached to the manifold, please order the base gasket separately if it is needed for maintenance. Refer to page 137 for base gasket and mounting screw part numbers.

How to Order Manifold Assembly

Example (JJ5SY3-10SFA-□-M)



Refer to pages 121 and 122 for how to order ZK2 vacuum units.

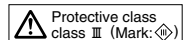
- JJ5SY3-10SFA-05D-C8-M ... 1 set (Type 10 5-station manifold base part no.)
- * JSY3100-5U 2 sets (2-position single valve part no.)
- * JSY3200-5U 3 sets (2-position double valve part no.)
- * ZZK204A-A1S0 1 set (Ejector manifold part no.)
- * ZK2C12K5NC1A-08 4 sets (Ejector unit part no.)

→ The asterisk denotes the symbol for the assembly. Prefix it to the part numbers of the ejector manifold, valve, etc.

- For the valve and ejector arrangement, the valves closest to the D side are considered the 1st stations respectively.
- Under the manifold part number, state the valves, ejector manifold, and ejector units to be mounted in order starting with the 1st station as shown in the figure.
- Complex exhaust and individual port exhaust cannot be mixed in the ejector manifold.
- If the arrangement becomes too complicated, specify the details on a manifold specification sheet.

⚠ Caution

If the product is to be continuously energized, please be sure to select the power-saving circuit (continuous duty type) specification. Refer to "Made to Order" on page 156.



JSY3000 Series

Specify the valve manifold and mounted valve part numbers as well as the ejector manifold and mounted ejector part numbers for ordering. Refer to page 141 for an order example.

How to Order Manifolds



① Stations*1

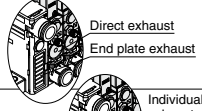
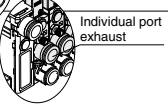
Symbol	Stations
01	1 station
02	2 stations
⋮	⋮
08	8 stations

*1 For adequate performance, the number of stations that can be operated simultaneously depends on the nozzle diameter. For details, refer to the ZK2□A series catalog.

② System/Port

Symbol	System	Port
A	Ejector system	ø8 (Common PV)

③ Exhaust

Symbol	Exhaust	Selectable single unit number
1	Complex exhaust*2	ZK2C 
2	Individual exhaust	ZK2F, ZK2H 

*2 Combination of direct exhaust and end plate exhaust from each station

④ Supply valve and release valve wiring*3

Symbol	Wiring	Selectable wiring for manifold (Refer to "How to Order Ejectors" on page 143.)	
		C	C1
S0	Centralized wiring	●	●

*3 Individual wiring is specified for pressure switches for vacuum and sensors.

⑤ Option*4

Symbol	Type	Selectable options for manifold (Refer to "How to Order Ejectors" on page 143.)					
		E	J	K	L	P	W
Nil	Without option	●	●	●	—	—	●
B	With DIN rail mounting bracket*5	●	●	●	—	—	●
D	With common release pressure supply (PD) port	●	●	●	—	—	⊙*6
L	Manifold individual supply specification	●	●	●	⊙*6	—	●


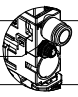
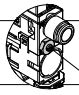
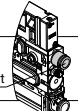

*4 When more than one option is selected, list the option symbols in alphabetical order. (Example -BD)

*5 Be sure to select the DIN rail mounting for the mounting method of the valve manifold.

*6 When option "D" is selected, select option "P" for the single unit for manifold. When option "L" is selected, select option "L" for the single unit for manifold. (⊙ must be selected.)

* For details, refer to "Optional Specifications/Functions/Applications" below.

Optional Specifications/Functions/Applications

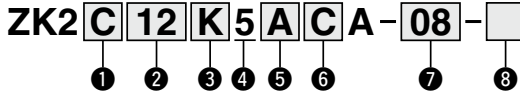
Symbol	Type	Function/Application
E	Screwdriver operation type long lock nut 	Used when the port position is close to the manifold's individual supply and needle adjustment is difficult
J	Round lock nut 	Thicker than the standard hexagon type More suitable for hand tightening The round lock nut improves operability when the manifold or exhaust port type is used.
K	Screwdriver operation type 	The slotted type allows for fine adjustment when the manifold or exhaust port type is used.
L	Manifold individual supply specification 	For adjusting the manifold's supply pressure and the vacuum pressure reached by each ejector individually
P	With manifold common release pressure supply (PD) port	When selecting option "D" (with common release pressure supply (PD) port), a pressure which is different from the common PV can be supplied to the common PD.
W	With exhaust interference prevention valve 	When ejectors are operated individually, exhausted air may flow backward from the V ports of ejectors that are turned off. The exhaust interference prevention valve prevents this backflow.

Specify the valve manifold and mounted valve part numbers as well as the ejector manifold and mounted ejector part numbers for ordering. Refer to page 141 for an order example.


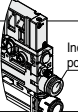
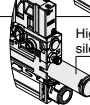
For ejector specifications, refer to the Web Catalog.

How to Order Ejectors

ZK2□A Series



① Body/Exhaust type

Symbol	Body	Exhaust type
C	For Manifold	Complex exhaust*1  Direct exhaust End plate exhaust
		Individual port exhaust  Individual port exhaust
H	High-noise reduction silencer exhaust 	High-noise reduction silencer exhaust

*1 Combination of direct exhaust and end plate exhaust from each station

② Nominal nozzle size

Symbol	Nominal nozzle size
07	ø0.7
10	ø1.0
12	ø1.2
15	ø1.5

* Refer to the ZK2□A series catalog for the standard supply pressure per nozzle diameter.

③ Combination of supply valve and release valve

Symbol	Supply valve		Release valve
	N.C.	Self-holding	N.C.
K	●	—	●
J	●	—	—
R	—	●*2	●

*2 Supply valve maintains vacuum by energization (20 ms or more). Stopping the vacuum turns on the release valve.

④ Rated voltage (Supply valve/Release valve)

Symbol	Voltage
5	24 VDC

⑤ Pressure switch for vacuum/Pressure sensor

Symbol	Type	Pressure range [kPa]	Specifications		
			NPN	PNP	With unit selection function*3
A	Pressure switch for vacuum	0 to -101	2 outputs		●
B			●	—	None (SI unit only)
C			—	●	●
D			—	●	None (SI unit only)
E			●	—	●
F			●	—	None (SI unit only)
H	Pressure sensor	-100 to 100	—	●	●
J			—	●	None (SI unit only)
P			0 to -101	Analog output 1 to 5 V	
T			-100 to 100	Analog output 1 to 5 V	
N	Without pressure switch for vacuum/pressure sensor				

*3 The unit selection function is not available in Japan due to the New Measurement Law. The unit for the type without the unit selection function is fixed as kPa.

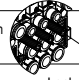
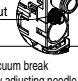

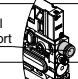
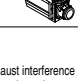

⑦ Vacuum (V) port

Symbol	Vacuum (V) port
06	ø6
08	ø8

⑥ Connector (Supply valve/Release valve/Pressure switch for vacuum)

Symbol	For supply valve/release valve	For pressure switch for vacuum: 2 m (Lead wire with connector)	Pressure sensor assembly: 3 m (With lead wire)	Note
C	●	●	—	Cannot be selected when ⑤ is N
C1	●	—	None	Cannot be selected when ⑤ is P or T

⑧ Option*4 (For details on the Function/Application, refer to page 142.)

Symbol	Type	Note
Nll	Without option	—
E	Screwdriver operation type long lock nut 	Cannot be selected when ⑧ is J
		Can be selected only for the combination of J and K
	Round lock nut 	Lock nut
J	Screwdriver operation type 	Vacuum break flow adjusting needle
		Individual supply port 
L	Manifold individual supply specification*5	—
P	With manifold common release pressure supply (PD) port 	Cannot be selected when ⑧ is J
W	With exhaust interference prevention valve 	When J is selected for ⑧, install the release valve or vacuum breaker in the middle of the vacuum piping.

*4 When more than one option is selected, list the option symbols in alphabetical order. (Example -EL)

*5 When F or H is selected for ① and L is selected for the option, the space for adjusting the needle is reduced. Products which can be operated more easily can be specified by option E or K.

JSY3000 Series

Type 10/Side Ported

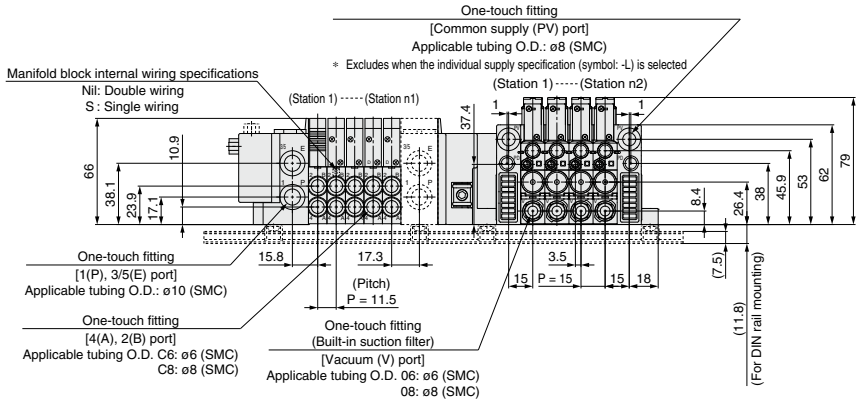
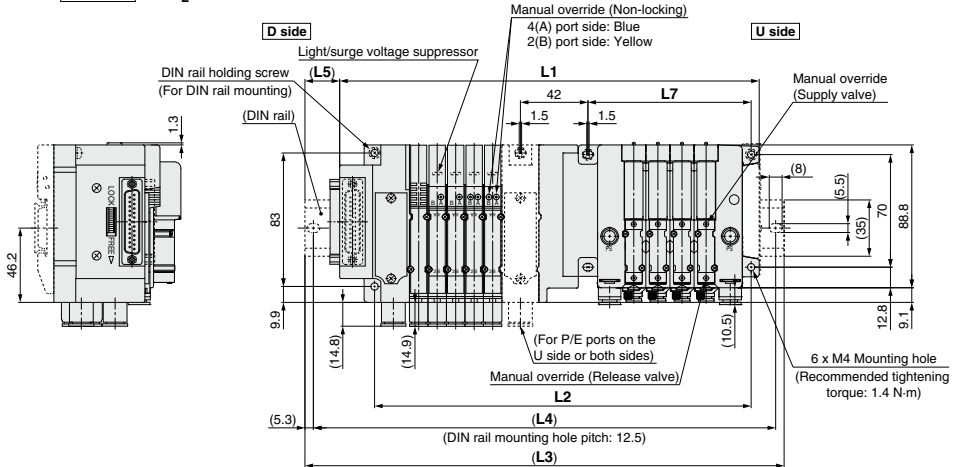
Dimensions: JSY3000 Series

Vacuum Unit ZK2 Combination Manifold

JJ5SY3-10□- Stations $\frac{U}{D}$ -M

For details on ejectors, refer to the Web Catalog.

* ZZK2 Stations A-A $\frac{1}{2}$ S0-□



- * Refer to page 146 for dimensions of external pilot and built-in silencer.
- * Refer to pages 90, 91, and 102 for dimensions when L6 and b are used for the calculation formula.
- * Refer to the reference pages shown in the table to the right for dimensions that are not specified in each wiring specification.

Calculation formula for dimensions
 $L1 = 11.5 \times n1 + 15 \times n2 + a + b \times n3 + e$
 $L2 = 11.5 \times n1 + 15 \times n2 + e + 93.7$
 $M = (L1 + c)/12.5 + 1$ Decimal fractions are truncated.
 $L3 = 12.5 \times M + 23$
 $L4 = L3 - 10.5$
 $L5 = (L3 - L1 + c)/2$
 $L6 = b \times n3 + 82$
 $L7 = 15 \times n2 + 41.5$

n1: Number of valve stations of the JSY3000
n2: Number of ejector stations of the ZK2A
n3: Number of I/O units or input block stations

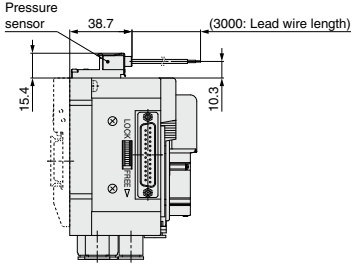
	Coefficient			Reference page
	a	b	c	
D-sub connector (IP40/Connector entry direction adjustable)	120.4	—	6.1	46
D-sub connector (IP67)	135.2	—	4.5	48
D-sub connector (IP20/Compact type)	133.4	—	6.1	52
Flat ribbon cable (IP40/Connector entry direction adjustable)	120.4	—	6.1	55
Flat ribbon cable (IP20/Compact type)	114.9	—	11.2	59
Spring type terminal block box	172.7	—	—	68
Terminal block box	194	—	—	72
Lead wire	141.7	—	—	80
Serial transmission: EX600 (M12 connector)	186.2	47	—	90
Serial transmission: EX600 (7/8 inch connector)	202.7	47	—	91
Serial transmission: EX245	217.8	54	—	96
Serial transmission: EX250	186.2	21	—	102
Serial transmission: EX260	133.4	—	—	110
Serial transmission: EX120	138.5	—	—	116

	Coefficient	e
D side entry	—	—
U side/Both sides entry	23	—

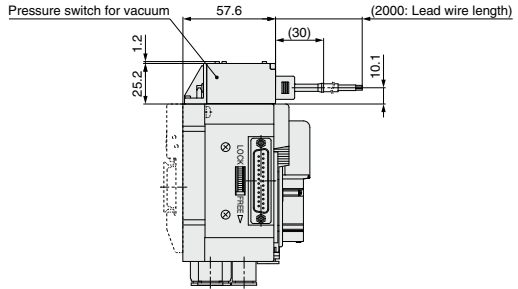
Dimensions

For details on ejectors, refer to the [Web Catalog](#).

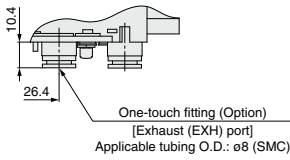
With pressure sensor



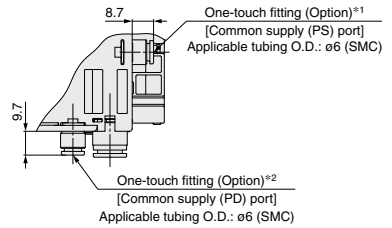
With pressure switch



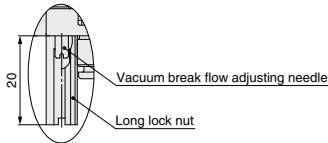
For port exhaust



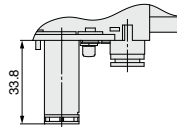
PS and PD port dimensions



For the screwdriver operation type long lock nut



For high-noise reduction silencer exhaust



*1 The common pilot pressure supply (PS) port is only available when manifold option "L" (manifold individual supply specification) is selected.
 *2 The common supply (PD) port is only available when manifold option "D" is selected.

JSY3000 Series

Type 10/Side Ported

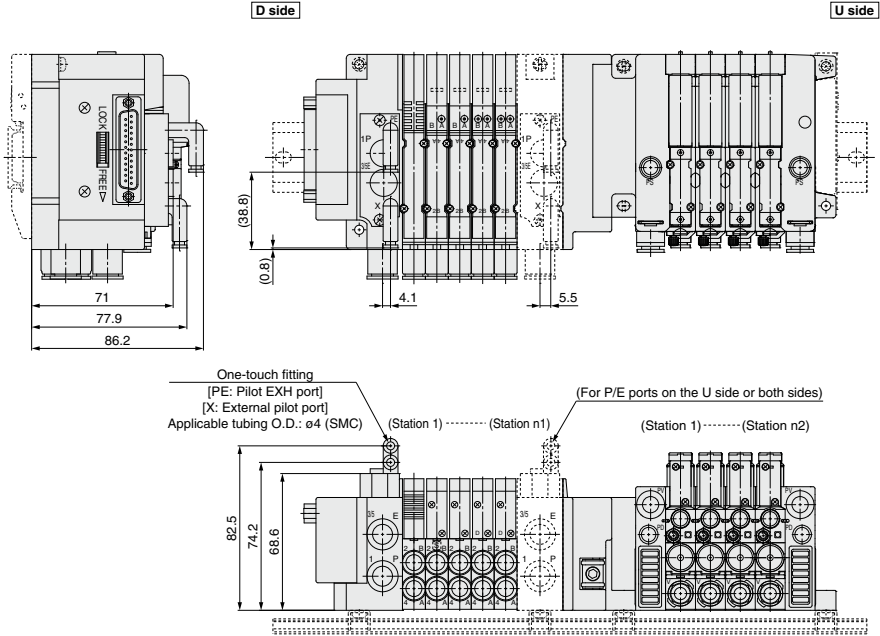
External Pilot, Built-in Silencer

Vacuum Unit ZK2 Combination Manifold

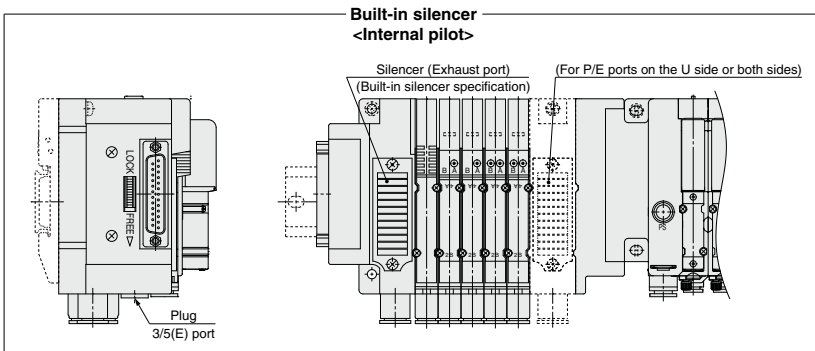
Dimensions: JSY3000 Series

JJ5SY3-10□- [Stations] $\frac{U}{B}$ (S, R)-M

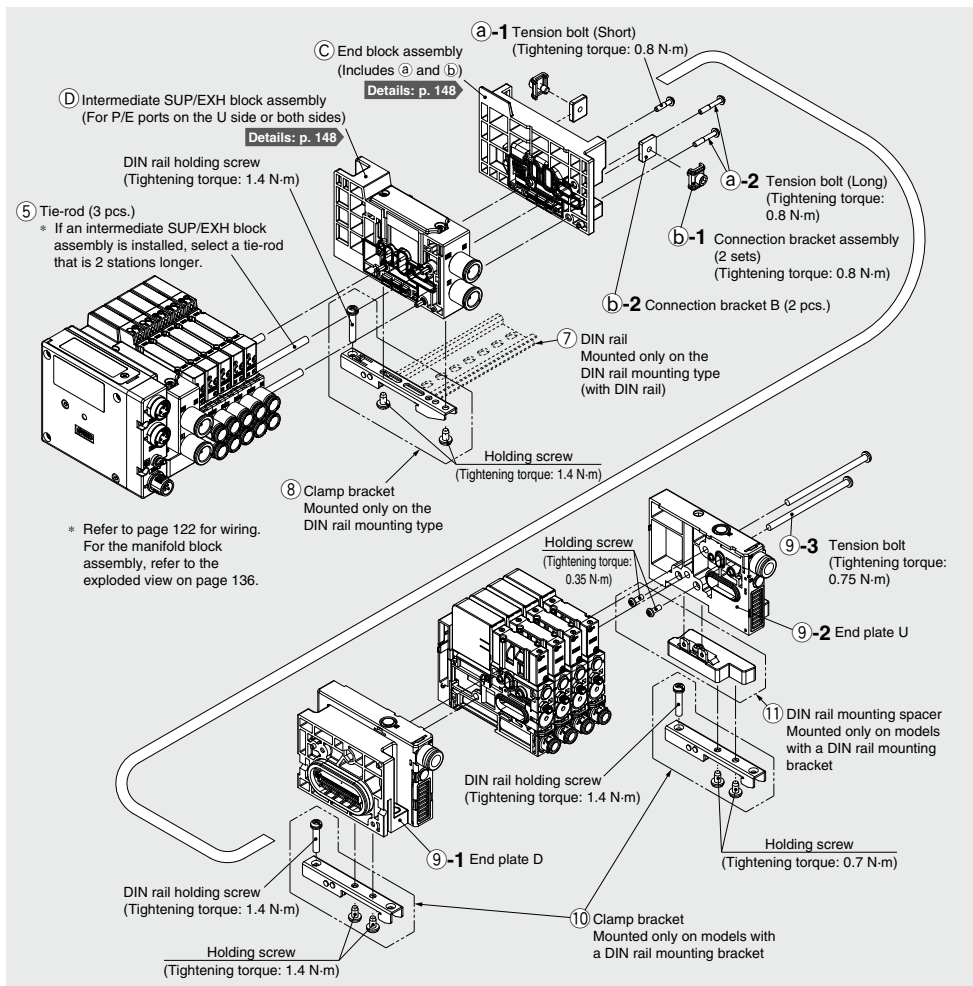
* ZZK2 [Stations] A-A $\frac{1}{2}$ S0-□



* These figures show the [JJ5SY3-10F2-05DR-C8-M]
* ZZK204A-A1S0



Manifold Exploded View



* For details on the ZK2 ejector unit and replacement parts for the manifold, refer to the ZK2□A series catalog.

For the JJ5SY3-10-M (ZK2□A)

⑨ Manifold end plate assembly

The assembly number includes end plate D, end plate U, and a tension bolt assembly.

No.	Description	ZK2	Note
⑩	Clamp bracket	ZK2-DA5-A	2 pcs. per set
⑪	DIN rail mounting spacer	ZK2-EU3-A	

ZK2 S0- -A

Refer to page 142 for the manifold part number.

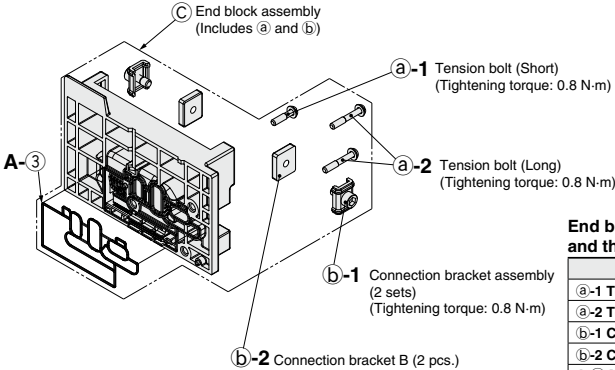
Manifold end plate assembly

JSY3000 Series

Manifold Parts Nos.

© End block assembly

JSY31M-3P-2A



End block assembly accessories and the number of accessories

Accessories	Quantity
a-1 Tension bolt (Short)	1 pc.
a-2 Tension bolt (Long)	2 pcs.
b-1 Connection bracket assembly	2 sets
b-2 Connection bracket B	2 pcs.
A-3 Manifold block gasket	1 pc.

* Gasket is mounted.

④ Intermediate SUP/EXH block assembly

JSY31M-125P-1A [] - C10 []

● Mounting

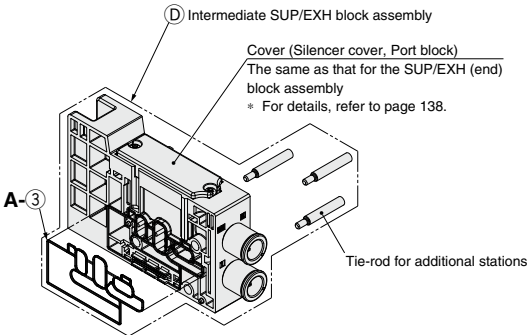
Nil	Direct mounting
D0	DIN rail mounting (Without DIN rail)

● Pilot, Silencer type

Symbol	Pilot type		Built-in silencer
	Internal	External (Made to Order)	
Nil	●	—	—
S	—	—	●
R	—	●	—

● P, E port size (One-touch fitting)

Symbol	P, E port	JSY3000
C10	ø10 One-touch fitting	●



Intermediate SUP/EXH block assembly accessories and the number of accessories

Accessories	Quantity
Tie-rod for additional stations	3 pcs.
A-3 Manifold block gasket	1 pc.

* Gasket is mounted.

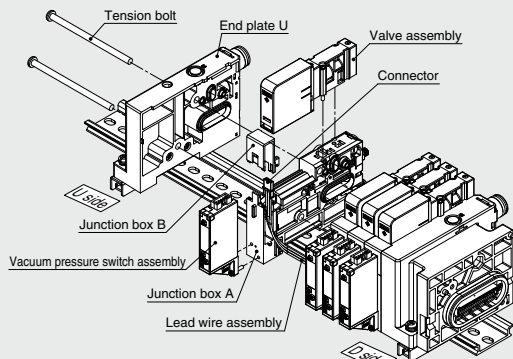
⑧ Clamp bracket

Series	Part no.
JSY3000	SY30M-15-1A

⚠ Caution

- Be sure to shut off the power and air supplies before disassembly.
Furthermore, since air may remain inside the actuator, piping and manifold, confirm that the air is completely exhausted before performing any work.
- When disassembly and assembly are performed, air leakage may result if the tightening of the cover and port block assemblies are inadequate.

How to Increase Manifold Stations

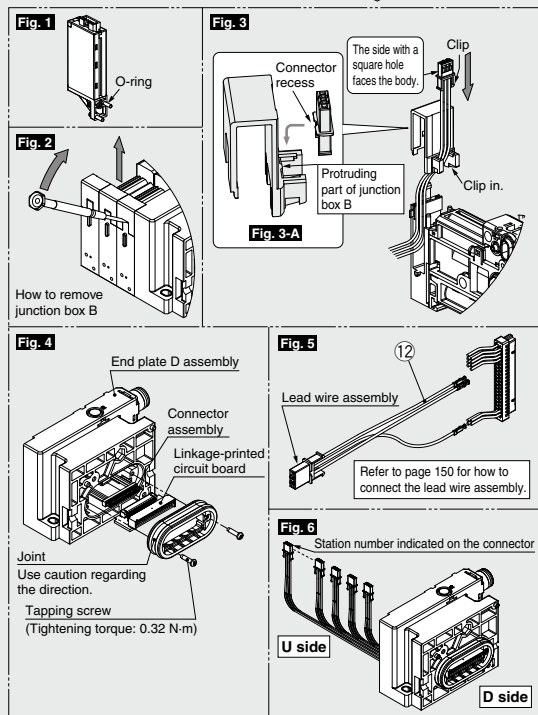


[To increase the number of stations from an odd number (1, 3, 5, 7) to an even number (2, 4, 6, 8)]
(Odd numbered stations have a vacant lead wire for one station, so additional orders are not required.)

- 1) Remove the tension bolt.
- 2) Remove end plate U.
- 3) Remove the valve assembly from the single unit for manifold to be added.
- 4) Remove the switch assembly if there is one. (Be careful not to drop the O-ring. Refer to Fig. 1.)
- 5) Remove junction box B (top) using a precision screwdriver. (Refer to Fig. 2.)
- 6) Mount the extra connector to junction box B. (Refer to Fig. 3.) (Engage the recess of the connector and the protruding part of junction box B. Refer to Fig. 3-A.)
- 7) Mount the single unit for manifold to be added to the end surface on the U side.
- 8) Mount end plate U with tension bolts of the appropriate length for the number of stations required. (Tightening torque: 0.75 N·m)
- 9) Mount junction box B to junction box A.
- 10) Mount the valve assembly. (Tightening torque: 0.15 N·m)
- 11) For products with a switch, mount the switch assembly. (Be careful not to drop the O-ring. Tightening torque: 0.08 to 0.10 N·m)

[To increase the number of stations from an even number to an odd number or to increase by 2 stations or more]

- 1) Remove the valve assemblies from all stations. (Remove from the single units to be added also.)
- 2) Remove the switch assemblies if there are any. (Be careful not to drop the O-rings. Refer to Fig. 1.)
- 3) Remove junction box B (top) from all stations using a precision screwdriver. (Refer to Fig. 2.) (Remove each junction box B from the D side.)
- 4) Remove all connectors mounted to each junction box B. (Be careful not to break the connector clips.)
- 5) Remove the tension bolts.
- 6) Remove the end plate D assembly.
- 7) Remove the linkage-printed circuit board, and then remove the connector assembly. (Refer to Fig. 4.)
- 8) Connect the lead wire assembly. (Refer to Fig. 5.)
- 9) Mount the connector assembly and linkage-printed circuit board. (Refer to Fig. 4.)
- 10) Remove end plate U. (Be careful not to drop the gasket.)
- 11) Mount the single units for manifold to be added to the end surface on the U side. (Do not let the gasket get caught.)
- 12) Mount end plates U and D with tension bolts of the appropriate length for the number of stations required. (Tightening torque: 0.75 N·m)
- 13) Mount the connectors for all stations to each junction box B. (Refer to Fig. 3.) (Engage the recess of the connector and the protruding part of junction box B. Refer to Fig. 3-A.)
- 14) Mount each junction box B to each junction box A. Push the wires down and mount each junction box B to each junction box A starting with the connector station numbers on the U side. (Refer to Fig. 3.) (Do not let the lead wire get caught.)
- 15) Mount the valve assemblies. (Tightening torque: 0.15 N·m)
- 16) For products with a switch, mount the switch assemblies. (Be careful not to drop the O-rings. Tightening torque: 0.08 to 0.10 N·m)



⑫ Lead wire assembly

ZK2 - CHS **04** - A

• Applicable stations

03	For 3-station manifold
⋮	⋮
08	For 8-station manifold

How to Increase Manifold Stations: Vacuum Ejector Manifold for JSY3000

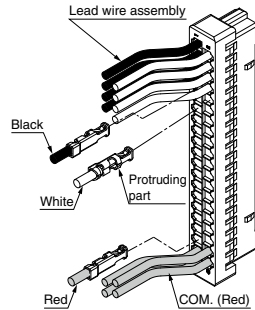
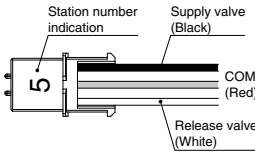
Connect the lead wire assembly to the positions shown in the diagram below.

⚠ Caution 1) After inserting each pin, confirm that the pin is locked by lightly pulling the lead wire.

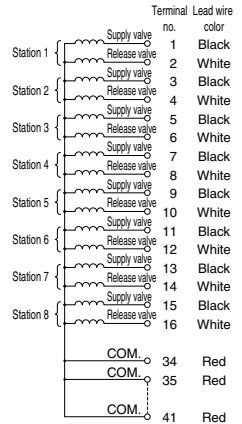
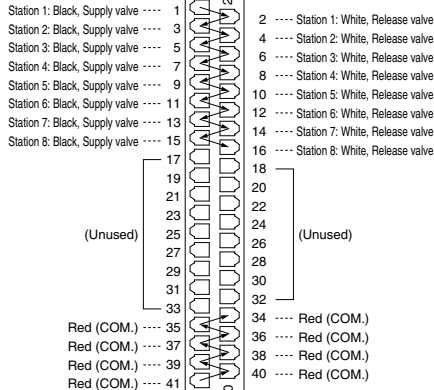
2) Do not pull the lead wire forcefully when connecting. Also, take care that lead wires do not get caught between manifolds when mounting end plates U and D.

Wiring

Procedure) A station number is indicated on the connector of the lead wire assembly. Refer to the pin arrangement and insert the pins starting with black and then alternating between white and black from the top for the supply valves and the release valves. Also, starting from the bottom, insert the pins according to the corresponding station number for the common.

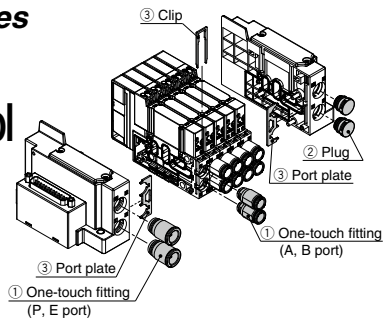


Pin arrangement



JSY1000/3000/5000 Series One-touch Fittings, Plug, Clip, Port Plate, Tube Releasing Tool

Refer to "How to Replace One-touch Fittings" on page 160 for the replacement method.



① One-touch Fittings

Port size	Series	JSY1000		JSY3000	JSY5000	Note
		6.5 mm pitch	9 mm pitch			
A, B port	ø2	KQSY10-C2	—	—	—	The part number is for 1 piece. (Sales unit: 10 pcs.)
	ø4	KQSY10-C4-X1336	—	—	—	
	ø6	—	KQSY11-C6-X1336	KQSY30-C6	—	
	ø8	—	—	KQSY30-C8-X1336	—	
	ø10	—	—	—	KQSY50-C10	
	ø12	—	—	—	KQSY50-C12-X1336	
P, E port	ø8	KQSY30-C8-X1336		—	—	
	ø10	—	—	KQSY31-C10-X1336	—	
	ø12	—	—	—	KQSY50-C12-X1336	

* Refer to page 160 for assembling when a fitting is replaced.

② Plug

Piping port	Series	JSY1000	JSY3000	JSY5000	Note
P, E port		JSY11M-62P-1A	JSY31M-62P-1A	JSY51M-62P-1A	The part number is for 1 piece.

* A, B port plug does not exist. Use the KQ2P series.

③ Clip, Port Plate

Piping port	Series	JSY1000		JSY3000	JSY5000	Note
		For A, B port C2/C4 fittings	For A, B port C6 fittings			
A, B port (Clip)		SJ1000-CL-1	JSY11M-19P-1A	JSY31M-19P-1A	JSY51M-19P-1A	The part number is for 10 pieces.
P, E port (Port plate)		JSY11M-10P-1		JSY31M-10P-1	JSY51M-10P-1	The part number is for 1 piece.

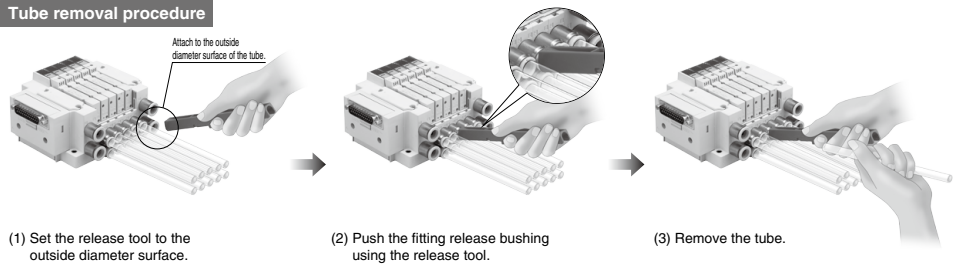
* Refer to page 160 for assembling when a fitting is replaced.

■ Tube Releasing Tool (This tool can be used to remove tubes from ports A and B.)

Series	For JSY1000		For JSY3000	For JSY5000
	6.5 mm pitch	9 mm pitch		
Part no.	TG-0204	TG-0608	TG-0608	TG-1012
Applicable tubing O.D.	ø2/ø4	ø6	ø6/ø8	ø10/ø12



Tube removal procedure



(1) Set the release tool to the outside diameter surface.

(2) Push the fitting release bushing using the release tool.

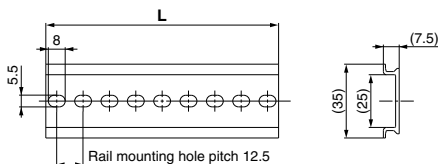
(3) Remove the tube.

JSY1000/3000/5000 Series Manifold Options

■ DIN rail dimensions/weight for the JSY1000/3000 **Plug-in** connector connecting base

VZ1000-11-1-□

* After confirming the L3 dimension in the dimensions table of each series, refer to the DIN rail dimensions table below and specify the number in the box □.

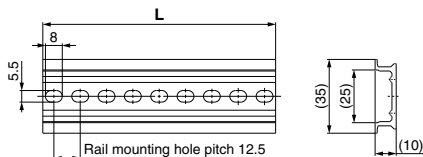


No.	0	1	2	3	4	5	6	7	8	9	10	11	12	13	14	15	16	17	18
L dimension	98	110.5	123	135.5	148	160.5	173	185.5	198	210.5	223	235.5	248	260.5	273	285.5	298	310.5	323
Weight [g]	17.6	19.9	22.1	24.4	26.6	28.9	31.1	33.4	35.6	37.9	40.1	42.4	44.6	46.9	49.1	51.4	53.6	55.9	58.1
No.	19	20	21	22	23	24	25	26	27	28	29	30	31	32	33	34	35	36	37
L dimension	335.5	348	360.5	373	385.5	398	410.5	423	435.5	448	460.5	473	485.5	498	510.5	523	535.5	548	560.5
Weight [g]	60.4	62.5	64.9	67.1	69.4	71.6	73.9	76.1	78.4	80.6	82.9	85.1	87.4	89.6	91.9	94.1	96.4	98.6	100.9
No.	38	39	40	41	42	43	44	45	46	47	48	49	50	51	52	53	54	55	56
L dimension	573	585.5	598	610.5	623	635.5	648	660.5	673	685.5	698	710.5	723	735.5	748	760.5	773	785.5	798
Weight [g]	103.1	105.4	107.6	109.9	112.1	114.4	116.6	118.9	121.1	123.4	125.6	127.9	130.1	132.4	134.6	136.9	139.1	141.4	143.6
No.	57	58	59	60	61	62	63	64	65	66	67	68	69	70	71				
L dimension	810.5	823	835.5	848	860.5	873	885.5	898	910.5	923	935.5	948	960.5	973	985.5				
Weight [g]	145.9	148.1	150.4	152.6	154.9	157.1	159.4	161.6	163.9	166.1	168.4	170.6	172.9	175.1	177.4				

■ DIN rail dimensions/weight for the JSY5000 **Plug-in** connector connecting base

VZ1000-11-4-□

* After confirming the L3 dimension in the dimensions table of each series, refer to the DIN rail dimensions table below and specify the number in the box □.



No.	0	1	2	3	4	5	6	7	8	9	10	11	12	13	14	15	16	17	18
L dimension	98	110.5	123	135.5	148	160.5	173	185.5	198	210.5	223	235.5	248	260.5	273	285.5	298	310.5	323
Weight [g]	24.8	28	31.1	34.3	37.4	40.6	43.8	46.9	50.1	53.3	56.4	59.6	62.7	65.9	69.1	72.2	75.4	78.6	81.7
No.	19	20	21	22	23	24	25	26	27	28	29	30	31	32	33	34	35	36	37
L dimension	335.5	348	360.5	373	385.5	398	410.5	423	435.5	448	460.5	473	485.5	498	510.5	523	535.5	548	560.5
Weight [g]	84.9	88	91.2	94.4	97.5	100.7	103.9	107	110.2	113.3	116.5	119.7	122.8	126	129.2	132.3	135.5	138.6	141.8
No.	38	39	40	41	42	43	44	45	46	47	48	49	50	51	52	53	54	55	56
L dimension	573	585.5	598	610.5	623	635.5	648	660.5	673	685.5	698	710.5	723	735.5	748	760.5	773	785.5	798
Weight [g]	145	148.1	151.3	154.5	157.6	160.8	163.9	167.1	170.3	173.4	176.6	179.8	182.9	186.1	189.2	192.4	195.6	198.7	201.9
No.	57	58	59	60	61	62	63	64	65	66	67	68	69	70	71				
L dimension	810.5	823	835.5	848	860.5	873	885.5	898	910.5	923	935.5	948	960.5	973	985.5				
Weight [g]	205.1	208.2	211.4	214.5	217.7	220.9	224	227.2	230.4	233.5	236.7	239.8	243	246.2	249.3				

⚠ Caution	Tightening torque for mounting screw
	M1.4: 0.06 N·m (JSY1000)
	M2: 0.16 N·m (JSY3000)
	M3: 0.8 N·m (JSY5000)

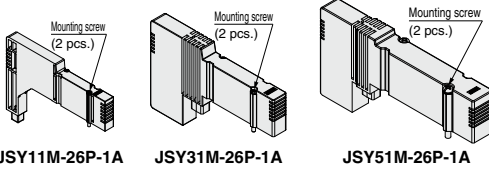
Manifold Options

* Refer to page 155 for dimensions.

■ Blanking plate

[With two mounting screws]

Used when valve additions are expected or for maintenance



JSY11M-26P-1A

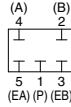
JSY31M-26P-1A

JSY51M-26P-1A

JSY 3 1M - 26P - 1A

● Series

1	JSY1000
3	JSY3000
5	JSY5000

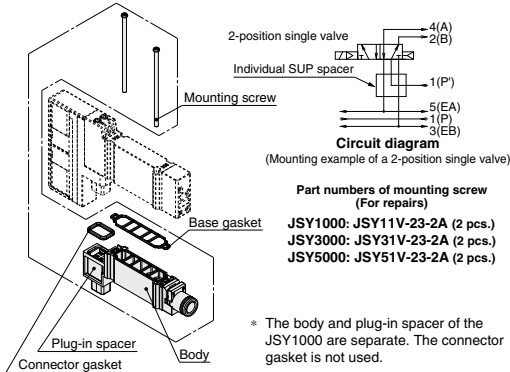


Circuit diagram

■ Individual SUP spacer

[With a connector gasket, a base gasket, and two mounting screws]

When the same manifold is to be used for different pressures, an individual SUP spacer assembly can be used to act as a supply port for different pressures.



JSY 3 1M - 38 P - 1A - C6

● Spacer type

38	Individual SUP spacer
39	Individual EXH spacer

● Series

1	JSY1000
3	JSY3000
5	JSY5000

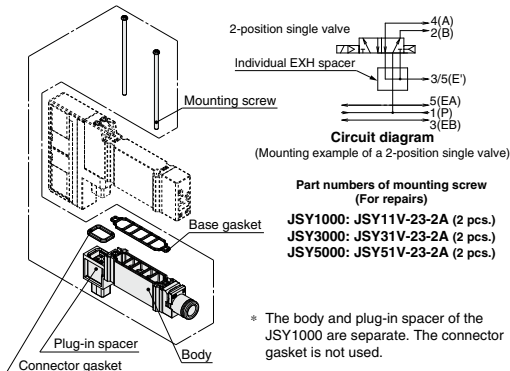
● Port size (One-touch fittings)

Symbol	P, E port	JSY1000	JSY3000	JSY5000
C4	ø4 One-touch fitting	●	—	—
C6	ø6 One-touch fitting	—	●	—
C8	ø8 One-touch fitting	—	—	●
C10	ø10 One-touch fitting	—	—	●
C12	ø12 One-touch fitting	—	—	●

■ Individual EXH spacer

[With a connector gasket, a base gasket, and two mounting screws]

When valve exhaust affects other stations due to the circuit configuration, this spacer can be used for individual valve exhaust.



JSY1000/3000/5000 Series

Manifold Options

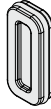
■ SUP/EXH blocking disk

[SUP blocking disk]

Inserting an SUP blocking disk in the pressure supply passage of a manifold valve can allow for the use of 2 different pressures (high and low) in 1 manifold.

[EXH blocking disk]

Inserting an EXH blocking disk in the exhaust passage of a manifold valve can separate the exhaust from the valve so it does not affect the other valves. It can also be used in positive pressure and vacuum pressure mixed manifolds. (2 pieces are required to block both the EA and EB sides of the EXH.)

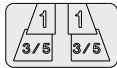


Series	SUP blocking disk	EXH blocking disk
JSY1000	JSY11M-40P-1A	JSY11M-40P-1A
JSY3000	JSY31M-40P-1A	JSY31M-40P-2A
JSY5000	JSY51M-40P-1A	JSY51M-40P-1A

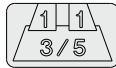
■ Labels for blocking disks

These labels can be used to indicate and confirm where on the manifold the SUP/EXH blocking disk assemblies were inserted. (3 labels of each)

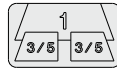
SUP/EXH blocking disk label



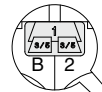
SUP blocking disk label



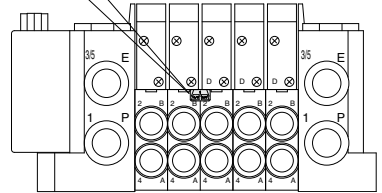
EXH blocking disk label



Series	Part no.
JSY1000	SJ3000-155-1A
JSY3000	
JSY5000	

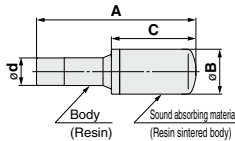


* If the blocking disk is ordered using the manifold specification sheet and ordered at the same time as the manifold, the position where the blocking disk is inserted will be labeled and shipped out.



■ Silencer (One-touch fitting connection type)

This silencer can be mounted to the 3/5 (E: EXH) port of the manifold in one step.



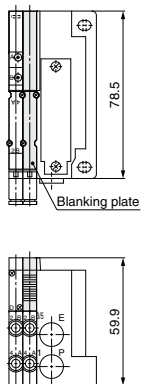
* Shipped together with the product

Series (ød)	Model	Effective area	A	B	C
For JSY1000 (ø8)	AN15-C08	20 mm ²	45	13	20
For JSY3000 (ø10)	AN20-C10	30 mm ²	57.5	16.5	30.5
For JSY5000 (ø12)	AN30-C12	41 mm ²	71.5	20	43.5

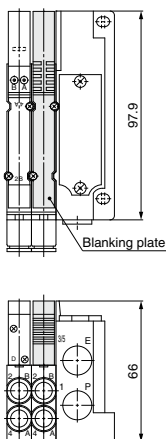
Dimensions: Manifold Options

■ **Blanking plate**

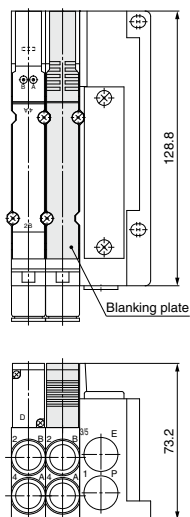
JSY1000 series



JSY3000 series

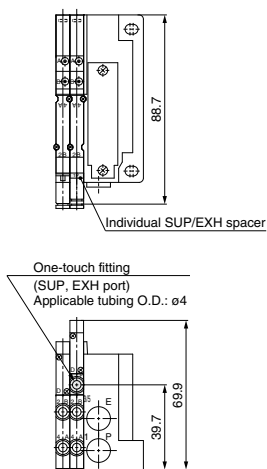


JSY5000 series

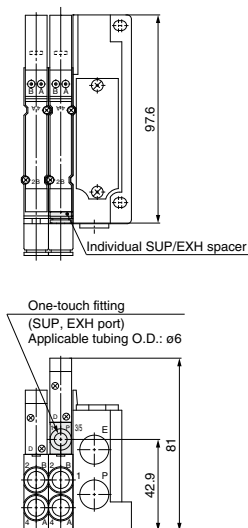


■ **Individual SUP/EXH spacer**

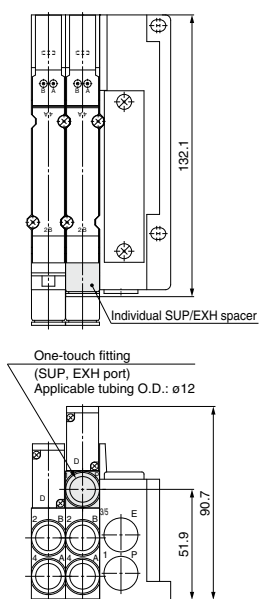
JSY1000 series



JSY3000 series



JSY5000 series



JSY1000/3000/5000 Series

Made to Order

Please contact SMC for detailed dimensions, specifications, and delivery times.



1 External pilot

How to Order Manifolds

Refer to the How to Order manifolds for each type.

For D-sub Connector/Flat Ribbon Cable/Lead Wire **pp. 42, 76, 140**

JJ5SY $\frac{1}{5}$ 3-10 - R - -

For Terminal Block Box **pp. 64, 140**

JJ5SY $\frac{1}{5}$ 3-10 $\overset{T}{\underset{TC}{}}$ - R - -

For EX260/EX245/EX120 **pp. 104, 94, 112, 140**

JJ5SY $\frac{1}{5}$ 3-10 $\overset{S}{\underset{S3}{}}$ - R - -

• SUP/EXH block assembly

R External pilot

- * The combination of external pilot type "R" and silencer type "S" is not available.
- * Only the JSY3000/5000 can be selected for the EX245.

For EX600/EX250 **pp. 84, 98, 140**

JJ5SY $\frac{1}{5}$ 3-10 $\overset{S6}{\underset{S}{}}$ - **G** - -

• P, E port entry, SUP/EXH block assembly

P, E port entry	External pilot
U side (2 to 10 stations)	G
D side (2 to 10 stations)	H
Both sides (2 to 24 stations)	J

How to Order Valves

JSY 1 00 R T - 5

JSY $\frac{3}{5}$ 00 R - 5

• Coil type (See below.)

• Pilot type

R External pilot

- * External pilot specification is not applicable for 4-position dual 3-port valves.

- * When pilot type "R" is selected, select the external pilot type "R" for the manifold SUP/EXH block assembly, and select either of "G/H/J" for the EX600/EX250 manifold.

2 Coil type: With power-saving circuit (Continuous duty type)

Be sure to select the power-saving circuit type when the JSY3000/5000 series is continuously energized for long periods of time.

Be careful of the energizing time when the power-saving circuit is selected. Refer to page 158 for details.

0.1 W: JSY3000/5000

How to Order Valves

JSY $\frac{3}{5}$ 00 T - 5 **Z**

Pilot type (See above.)

• Coil type

T (With power-saving circuit (Continuous duty type))

- * Only "Z" and "NZ" types are available for with the power-saving circuit.

• Light/surge voltage suppressor and common specification

Symbol	With light	Surge voltage suppressor	Common specification
Z	•	•	Positive common
NZ			Negative common



JSY1000/3000/5000 Series Specific Product Precautions 1

Be sure to read this before handling the products.

Refer to page 7 for safety instructions and pages 8 to 14 for 3/4/5 port solenoid valve precautions.

Environment

Warning

- Do not use valves in atmospheres of corrosive gases, chemicals, sea water, water, water vapor, or where there is direct contact with any of these.
- Products compliant with IP67 enclosures (based on IEC 60529) are protected against dust and water, however, these products cannot be used in water. If using in an environment that is exposed to water and dust splashes, take measures such as using a protective cover.
- When using built-in silencer type manifold with an IP67 enclosure, keep the exhaust port of the silencer from coming into direct contact with water or other liquids.

Valve Mounting

Caution

Mount it so that there is no slippage or deformation in gaskets, and tighten with the tightening torque as shown on the right.

Series	Thread size	Tightening torque
JSY1000	M1.4	0.06 N·m
JSY3000	M2	0.16 N·m
JSY5000	M3	0.8 N·m

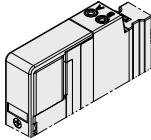
Manual Override

Warning

Regardless of an electric signal for the valve, the manual override is used for switching the main valve. Connected actuator is started by manual operation. Use the manual override after confirming that there is no danger.

Non-locking push type

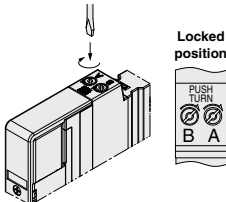
Push down on the manual override button until it stops.



Push-turn locking slotted type [D type]

Push down on the manual override with a small flat head screwdriver until it stops, and then turn it 90° clockwise. The manual override is then locked. To release it, turn it counterclockwise.

If it is not turned, it can be operated the same way as the non-locking push type.

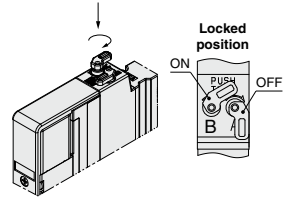


Manual Override

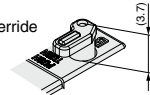
Warning

Push-turn locking lever type [E type] (Only for the JSY3000/5000)

Push down on the manual override by finger until it stops, and then turn it 60° clockwise. The manual override is then locked. To release it, turn it counterclockwise. If it is not turned, it can be operated the same way as the non-locking push type.



Carefully check the manual override projection amount.
Max. (at OFF): 3.7 mm



Caution

Do not apply excessive torque when turning the manual override. [0.1 N·m]
When locking the manual override, be sure to push it down before turning. Turning without first pushing it down can cause damage to the manual override and other trouble such as air leakage, etc.

Used as a 3-Port Valve

Caution

In case of using a 5-port valve as a 3-port valve

The JSY1000/3000/5000 series can be used as normally closed (N.C.) or normally open (N.O.) 3-port port valves by closing one of the cylinder ports 4(A) or 2(B) with a plug. However, they should be used with the exhaust ports kept open. Use them when a double solenoid type 3-port valve is required.

Plug position		B port	A port
Type of actuation		N.C.	N.O.
Number of solenoids	Single	(A)4 2(B) (EA)5 1 3(EB) (P)	(A)4 2(B) (EA)5 1 3(EB) (P)
	Double	(A)4 2(B) (EA)5 1 3(EB) (P)	(A)4 2(B) (EA)5 1 3(EB) (P)



JSY1000/3000/5000 Series Specific Product Precautions 2

Be sure to read this before handling the products.

Refer to page 7 for safety instructions and pages 8 to 14 for 3/4/5 port solenoid valve precautions.

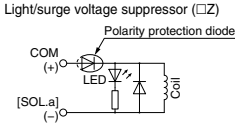
Light/Surge Voltage Suppressor

⚠ Caution

■ Polar type

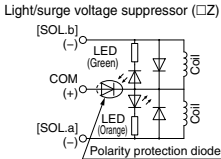
Positive common

Single solenoid



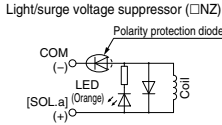
Positive common

Double solenoid, 3-position, 4-position



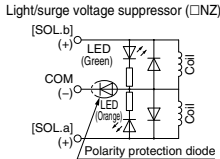
Negative common

Single solenoid



Negative common

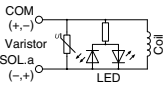
Double solenoid, 3-position, 4-position



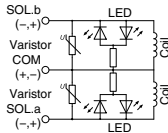
■ Non-polar type

With light/surge voltage suppressor (□U)

Single solenoid



Double solenoid



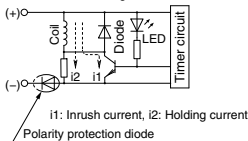
* Non-polar type is not available for the JSY1000.

■ With power-saving circuit

(JSY3000/5000 series products are made to order.)

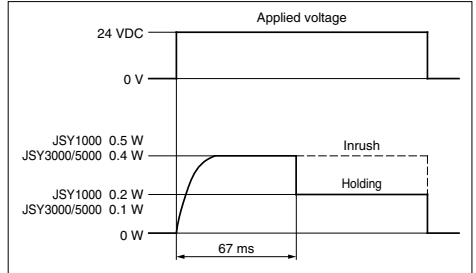
Power consumption is decreased to approx. 1/2.5 to 1/4 of the amount consumed at startup by reducing the wattage required to hold the valve in an energized state. (Effective energizing time is over 67 ms at 24 VDC.)

Electric circuit diagram
(With power-saving circuit)
In the case of single solenoid



The circuit shown to the left reduces the power consumption for holding in order to save energy. Refer to the electrical power waveform as shown below.

<Electrical power waveform with power-saving circuit>



· Since the voltage will drop by approx. 0.5 V due to the transistor, pay attention to the allowable voltage fluctuation. (For details, refer to the solenoid specifications of each type of valve.)

Residual voltage of the surge voltage suppressor

* If a varistor or diode surge voltage suppressor is used, there is some residual voltage to the protection element and rated voltage. Therefore, refer to the table below and pay attention to the surge voltage protection on the controller side. Also, since the response time does change, refer to the valve specifications on page 35.

Residual Voltage

Surge voltage suppressor	24 VDC
Z	Approx. 1 V
U	Approx. 47 V

Continuous Duty

⚠ Caution

If a valve is energized continuously for long periods of time, the rise in temperature due to heat-up of the coil assembly may cause a decline in solenoid valve performance, reduce service life, or have adverse effects on peripheral equipment. If the valve is energized continuously for long periods of time, be sure to use a valve with power-saving circuit. In particular, if three or more adjacent stations on the manifold are energized simultaneously for extended periods of time or if the valves on A side and B side are energized simultaneously for long periods of time, take special care as the temperature rise will be greater.

Energization of a 2-Position Double Solenoid Valve

⚠ Caution

To avoid operation failure, do not energize the A side and B side of 2-position double solenoid valve at the same time.



JSY1000/3000/5000 Series Specific Product Precautions 3

Be sure to read this before handling the products.

Refer to page 7 for safety instructions and pages 8 to 14 for 3/4/5 port solenoid valve precautions.

Countermeasure for Surge Voltage Intrusion

⚠ Caution

■ Surge voltage intrusion

With non-polar type valves, at times of sudden interruption of the loading power supply, such as emergency shutdown, surge voltage intrusion may be generated from loading equipment with a large capacity (power consumption), and the valve in a de-energized state may switch over (see Figure 1). When installing a breaker circuit for the loading power supply, consider using a valve with polarity (with polarity protection diode), or install a surge absorption diode between the loading equipment COM line and the output equipment COM line (see Figure 2).

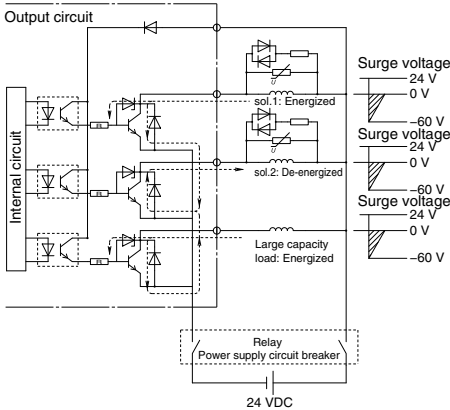


Figure 1. Surge intrusion circuit example (NPN outlet example) (24 VDC)

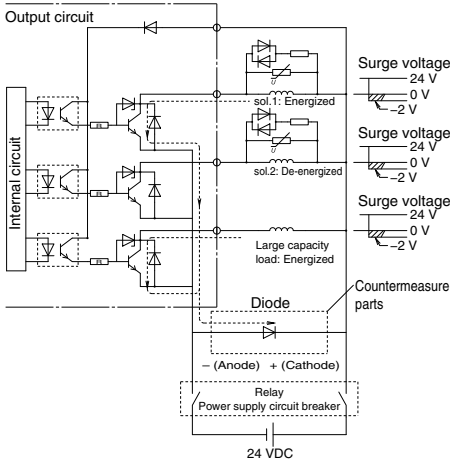


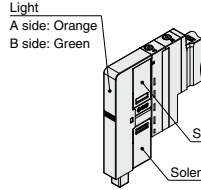
Figure 2. Surge intrusion countermeasure example (NPN outlet example) (24 VDC)

Light Indication

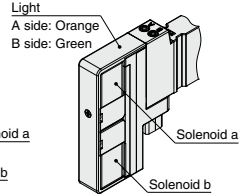
⚠ Caution

When equipped with indicator light and surge voltage suppressor, the light window turns orange when solenoid a is energized, and it turns green when solenoid b is energized.

<JSY1000 series>



<JSY3000/5000 series>



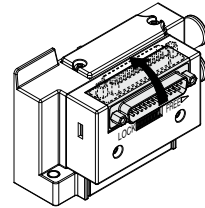
Changing Connector Entry Direction

⚠ Caution

Connector direction for electrical entry of D-sub connector and flat ribbon cable <IP40> can be changed. If the directional change is required, slide the lever on the side of the connector block to the FREE position, and then change the direction as shown in the figure. Also, before connecting the connector, be sure to return the lever to the LOCK position. (If the lever is difficult to slide, move the connector a little bit to make it easier to slide the lever.)

If an excessive force is applied on the connector in the LOCK position, the connector block may be damaged. Also, using in such a way that the connector floats in the FREE position, it may cause the lead wire, etc., to break.

* Direction cannot be changed for D-sub connector <IP67> or compact type.





JSY1000/3000/5000 Series Specific Product Precautions 4

Be sure to read this before handling the products.

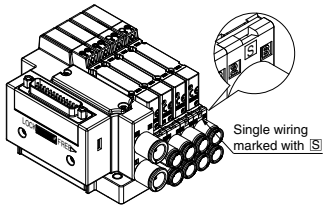
Refer to page 7 for safety instructions and pages 8 to 14 for 3/4/5 port solenoid valve precautions.

Manifold Indication Symbol

⚠ Caution

The letter "S" is indicated on manifold blocks for the JSY series as shown below. This indication refers to the type of substrate (single wiring) inside the manifold blocks. When there is no symbol, double wiring is used.

When the manifold specification sheet does not include a wiring specification, all stations will be double wiring specification. In this case, single and double solenoid valves can be mounted in any position, but when a single valve is used, there will be an unused control signal. To avoid this, indicate positions of manifold blocks for single wiring specification and double wiring specification on a manifold specification sheet. (Note that double, 3- or 4-position valves cannot be used for manifolds blocks with single wiring specification [S].)



Substrate inside Manifolds

⚠ Caution

The substrate inside of manifolds cannot be taken apart. Attempting to do so may damage parts.

Securing the DIN Rail Mounting Type Manifold

⚠ Caution

- When the manifold is secured with bolts on a mounting surface, etc., it can be operated just by securing both ends of the DIN rail if the bottom surface of the DIN rail is entirely in contact with the mounting surface when mounted horizontally. However, if it is used with other mounting or with side or reverse mounting, secure the DIN rail with bolts at regular intervals. As a guide, insert bolts in 2 locations for 2-5 stations, 3 locations for 6-10 stations, 4 locations for 11-15 stations, 5 locations for 16-20 stations, and 6 locations for 21-24 stations.
- When using the manifold with DIN rail in an environment where any vibration or impact is applied to it, the DIN rail itself may be broken. In particular, if the installation surface vibrates when mounting the manifold on the wall or if a load is directly applied to the manifold, the DIN rail may be broken, causing the manifold to drop. When any vibration, impact, or load is applied to the manifold, be sure to use the direct mounting manifold.

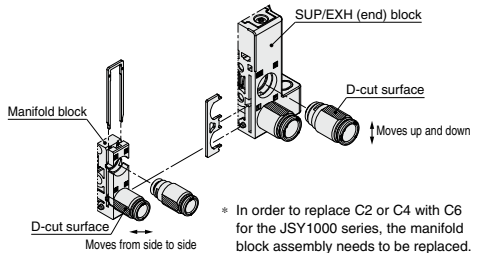
How to Replace One-touch Fittings

⚠ Caution

By replacing One-touch fittings of manifold base, it is possible to change the connection diameter of the 4(A), 2(B), 1(P), 3/5(E) ports. When replacing the One-touch fittings, remove the clip or the plate before pulling the One-touch fittings off. Mount the One-touch fittings by following the removal procedure in reverse.

Use caution as it may cause air leakage if the clip and the plate are not inserted securely enough when they are switched. Refer to page 151 for part numbers of One-touch fittings.

■ Connector connecting base



- * In order to replace C2 or C4 with C6 for the JSY1000 series, the manifold block assembly needs to be replaced. Please select the manifold block assembly on page 137.
- * Refer to page 151 for One-touch fitting, clip, and port plate part numbers.

<Assembly method>

· SUP/EXH (end) block

Fitting direction is specified when the fittings below are used. Assemble the fitting so that the D-cut surfaces of the fitting face up and down.

Fitting part no.: KQSY30-C8-X1336 (JSY1000)
KQSY50-C12-X1336 (JSY5000)

· Manifold block

Assemble the fitting so that the D-cut surfaces of the fitting face sideways.

Fitting part no.: KQSY10-C4-X1336 (JSY1000)
KQSY11-C6-X1336 (JSY1000)
KQSY30-C8-X1336 (JSY3000)
KQSY50-C12-X1336 (JSY5000)



JSY1000/3000/5000 Series Specific Product Precautions 5

Be sure to read this before handling the products.

Refer to page 7 for safety instructions and pages 8 to 14 for 3/4/5 port solenoid valve precautions.

Other Tube Brands

⚠ Caution

1. When using other than SMC brand tube, confirm that the following specifications are satisfied with respect to the tube outside diameter tolerance.

- | | |
|----------------------|---------------------------------------|
| 1) Nylon tube | within ± 0.1 mm |
| 2) Soft nylon tube | within ± 0.1 mm |
| 3) Polyurethane tube | within $+0.15$ mm
within -0.2 mm |

Do not use tube which do not meet these outside diameter tolerances. It may not be possible to connect them, or they may cause other trouble, such as air leakage or the tube pulling out after connection.

One-touch Fittings

⚠ Caution

■ Tube attachment/detachment for One-touch fittings

1) Tube attachment

- Take a tube having no flaws on its periphery and cut it off at a right angle. When cutting the tube, use tube cutters TK-1, 2, or 3. Do not use pliers, nippers, scissors, etc. If cutting is done with tools other than tube cutters, the tube may be cut diagonally or become flattened, etc., making a secure installation impossible, and causing problems such as the tube pulling out after installation or air leakage. Allow some extra length in the tube.
- Grasp the tube and push it in slowly, inserting it securely all the way into the fitting.
- After inserting the tube, pull on it lightly to confirm that it will not come out. If it is not installed securely all the way into the fitting, this can cause problems such as air leakage or the tube pulling out.

2) Tube detachment

Use the release tool when the removal of tube is difficult due to the tube size. Refer to page 151 for releasing tools.

- Push in the release button sufficiently, pushing its collar equally around the circumference.
- Pull out the tube while holding down the release button so that it does not come out. If the release button is not pressed down sufficiently, there will be increased bite on the tube and it will become more difficult to pull it out.
- When the removed tube is to be used again, cut off the portion which has been chewed before reusing it. If the chewed portion of the tube is used as is, this can cause trouble such as air leakage or difficulty in removing the tube.

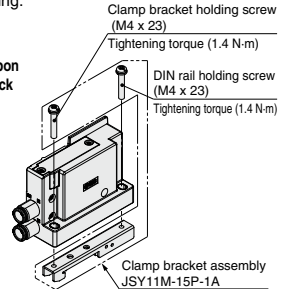
Fixing Method of JSY1000 Series Clamp Bracket

⚠ Caution

The clamp bracket fixing method for the JSY1000 series is different depending on wiring.

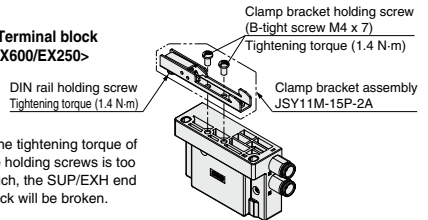
■ Wiring

<For D-sub connector/Flat ribbon cable/Spring type terminal block/Lead wire/EX260/EX120>



- When the DIN rail is not accommodated in the clamp bracket, loosen the DIN rail holding screw once and insert the DIN rail.

<For Terminal block box/EX600/EX250>



- If the tightening torque of the holding screws is too much, the SUP/EXH end block will be broken.

Installation

⚠ Caution

Even though the inlet pressure is within the operating pressure range, when the piping diameter is restricted due to size reduction of supply port (P), the flow will be insufficient. In this case, the valve does not switch completely and the cylinder may malfunction.

■ Trademark

DeviceNet® is a registered trademark of ODVA, Inc.

EtherNet/IP® is a registered trademark of ODVA, Inc.

CompoNet® is a registered trademark of ODVA, Inc.

EtherCAT® is registered trademark and patented technology, licensed by Beckhoff Automation GmbH, Germany.