

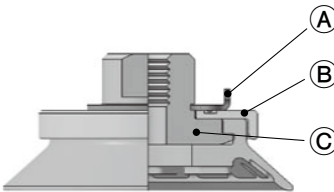

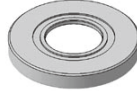

High Rigidity Pad *ZP3E* Series Standard Type Mounting Bracket Assembly

Adapter Assembly: Vacuum Inlet Direction **Vertical** T Type/ZP3E-T

Product part no.	<p>ZP3E - T ① ② □ - ③ (A10/A16/AL14/AL16)</p> <p>Pad diameter Pad form Pad material Connection thread (Male thread)</p>	
Component parts		
	<p>ZP3E-T(32 to 50)(UM/BM)□-A10 ZP3E-T(63 to 125)(UM/BM)□-A16</p>	<p>ZP3E-T(32 to 50)(UM/BM)□-AL14 ZP3E-T(63 to 125)(UM/BM)□-AL16</p>

		Symbol	① Pad diameter symbol						
			32	40	50	63	80	100	125
Ⓐ Seal washer	M10 x 1	ZP3EA-SW10			—				
	M16 x 1.5	—			ZP3EA-SW16				
Ⓑ Holder	② Pad form	Flat type with groove UM	ZP3EA-H1A	ZP3EA-H2A	ZP3EA-H3A		ZP3EA-H4A	ZP3EA-H5A	
		Bellows type with ribs and groove BM			ZP3EA-H3A	ZP3EA-H4A	ZP3EA-H5A	ZP3EA-H6A	
Ⓒ Plate	② Pad form	Flat type with groove UM	ZP3EA-P1	ZP3EA-P2	ZP3EA-P3		ZP3EA-P4	ZP3EA-P5	
		Bellows type with ribs and groove BM			ZP3EA-P3	ZP3EA-P4	ZP3EA-P5	ZP3EA-P6	
Ⓓ Set screw		ZP3EA-A10			ZP3EA-A16				
Ⓔ Male thread adapter	③ Connection thread	M10 x 1	A10		—				
		M16 x 1.5	A16		—				
		M14 x 1	AL14		ZP3EA-TAL14		—		
		M16 x 1.5	AL16		—		ZP3EA-TAL16		
Ⓕ Mounting nut (Single unit)	M14 x 1	ZPNA-M14			—				
	M16 x 1.5	—			RBQ16J				

Adapter Assembly: Vacuum Inlet Direction **Vertical T Type/ZP3E-T**

Product part no.	<p>ZP3E - T ① ② □ - ③ (B8/B10/B12/B18)</p> <p>Pad diameter ● Pad form ● Pad material ● Connection thread (Female thread) ●</p>
Component parts	<div style="display: flex; justify-content: space-around; align-items: center;">  <div style="text-align: right;"> <p>Ⓐ Stopper</p>  <p>Ⓑ Holder</p>  <p>Ⓒ Female thread plate</p>  </div> </div>

		Symbol	① Pad diameter symbol									
			32	40	50	63	80	100	125			
Ⓐ Stopper			ZP3EA-S1				ZP3EA-S2					
Ⓑ Holder	② Pad form	Flat type with groove	UM	ZP3EA-H1B		ZP3EA-H2B		ZP3EA-H3B		ZP3EA-H4B	ZP3EA-H5B	
		Bellows type with ribs and groove	BM					ZP3EA-H3B	ZP3EA-H4B	ZP3EA-H5B	ZP3EA-H6B	
Ⓒ Female thread plate	② Pad form	Flat type with groove	UM	③ Connection thread	M8 x 1.25	B8	ZP3EA-PT1-B8	ZP3EA-PT2-B8	—			
					M10 x 1.5	B10	ZP3EA-PT1-B10	ZP3EA-PT2-B10	—			
					M12 x 1.75	B12	—		ZP3EA-PT3-B12		ZP3EA-PT4-B12	ZP3EA-PT5-B12
	M18 x 1.5	B18	—		ZP3EA-PT3-B18		ZP3EA-PT4-B18	ZP3EA-PT5-B18				
	Bellows type with ribs and groove	BM	M8 x 1.25		B8	ZP3EA-PT1-B8	ZP3EA-PT2-B8	—				
			M10 x 1.5		B10	ZP3EA-PT1-B10	ZP3EA-PT2-B10	—				
M12 x 1.75			B12	—		ZP3EA-PT3-B12	ZP3EA-PT4-B12	ZP3EA-PT5-B12	ZP3EA-PT6-B12			
M18 x 1.5	B18	—		ZP3EA-PT3-B18	ZP3EA-PT4-B18	ZP3EA-PT5-B18	ZP3EA-PT6-B18					

Adapter Assembly: Vacuum Inlet Direction Lateral Y Type/ZP3E-Y

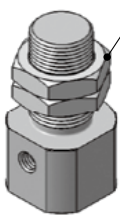
Product part no.

ZP3E - Y ① ② □ - ③


Pad diameter Pad form Pad material Connection thread (Male/Female thread)

Component parts


Ⓔ Male thread adapter
(With mounting nut)




Ⓔ Female thread adapter




Ⓐ Seal washer




Ⓑ Holder

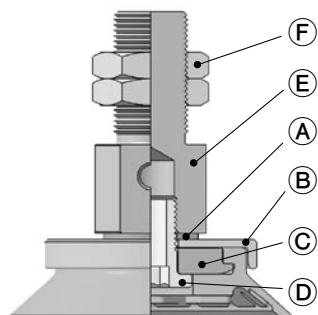


Ⓒ Plate

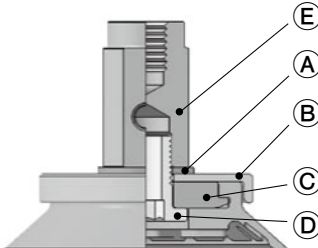


Ⓓ Set screw





ZP3E-Y(32 to 50)(UM/BM)□-AL14
ZP3E-Y(63 to 125)(UM/BM)□-AL16



ZP3E-Y(32 to 50)(UM/BM)□-B8
ZP3E-Y(63 to 125)(UM/BM)□-B12

		Symbol	① Pad diameter symbol									
			32	40	50	63	80	100	125			
Ⓐ Seal washer	M10 x 1		ZP3EA-SW10				—					
	M16 x 1.5		—				ZP3EA-SW16					
Ⓑ Holder	② Pad form	Flat type with groove	UM	ZP3EA-H1A	ZP3EA-H2A	ZP3EA-H3A		ZP3EA-H4A	ZP3EA-H5A			
		Bellows type with ribs and groove	BM			ZP3EA-H3A	ZP3EA-H4A	ZP3EA-H5A	ZP3EA-H6A			
Ⓒ Plate	② Pad form	Flat type with groove	UM	ZP3EA-P1	ZP3EA-P2	ZP3EA-P3		ZP3EA-P4	ZP3EA-P5			
		Bellows type with ribs and groove	BM			ZP3EA-P3	ZP3EA-P4	ZP3EA-P5	ZP3EA-P6			
Ⓓ Set screw			ZP3EA-A10				ZP3EA-A16					
Ⓔ Adapter	③ Connection thread	Male thread	M14 x 1	AL14	ZP3EA-YAL14				—			
			M16 x 1.5	AL16	—				ZP3EA-YAL16			
		Female thread	M8 x 1.25	B8	ZP3EA-YB8				—			
			M12 x 1.75	B12	—				ZP3EA-YB12			
Ⓕ Mounting nut (Single unit)	M14 x 1		ZPNA-M14				—					
	M16 x 1.5		—				RBQ16J					

Buffer Assembly: Vacuum Inlet Direction **Vertical** T Type/ZP3E-T, **Lateral** Y Type/ZP3E-Y

Product part no.	ZP3E - (T/Y) ① ② □ JB ③ Pad diameter ● Pad form ● Pad material ● Buffer stroke ●
Component parts	<p style="text-align: center;"> (E) Buffer assembly (Vacuum inlet: Vertical) (With mounting nut) (E) Buffer assembly (Vacuum inlet: Lateral) (With mounting nut) (A) Seal washer (B) Holder (C) Plate (D) Set screw (F) Mounting nut </p> <p style="text-align: center;"> ZP3E-T(32 to 125)(UM/BM)□JB(10 to 50) ZP3E-Y(32 to 125)(UM/BM)□JB(10 to 50) </p>

		Symbol	① Pad diameter symbol							
			32	40	50	63	80	100	125	
Ⓐ Seal washer	M10 x 1	ZP3EA-SW10				—				
	M16 x 1.5	—				ZP3EA-SW16				
Ⓑ Holder	Ⓐ Pad form	Flat type with groove UM	ZP3EA-H1A		ZP3EA-H2A		ZP3EA-H3A		ZP3EA-H4A	ZP3EA-H5A
		Bellows type with ribs and groove BM	—		—		ZP3EA-H3A	ZP3EA-H4A	ZP3EA-H5A	ZP3EA-H6A
Ⓒ Plate	Ⓐ Pad form	Flat type with groove UM	ZP3EA-P1		ZP3EA-P2		ZP3EA-P3		ZP3EA-P4	ZP3EA-P5
		Bellows type with ribs and groove BM	—		—		ZP3EA-P3	ZP3EA-P4	ZP3EA-P5	ZP3EA-P6
Ⓓ Set screw		ZP3EA-A10				ZP3EA-A16				
Ⓔ Buffer assembly		ZP3EB-(T/Y)1JB③				ZP3EB-(T/Y)2JB③				
Ⓕ Mounting nut (Single unit)	M18 x 1.5	NT-05				—				
	M22 x 1.5	—				ZPNA-M22				

[Buffer assembly part number example]

Product part no. **ZP3E-T32UMN JB 10**

Buffer assembly **ZP3EB-T1 JB 10**

③ Buffer stroke