

Compact Type ZP3 Series

RoHS

Model Selection

ø1.5, ø2, ø3.5, ø4, ø6, ø8, ø10, ø13, ø16

Flat Type, Flat Type with Groove, Bellows Type, Bellows Type with Ribs

Overall length shortened For the flat type (Pad diameter: ø2)

ZP3 Compact

Flat Type

Flat Type with Groove

Bellows Type

Bellows Type with Ribs

Construction

Mounting Bracket Assembly

Precautions

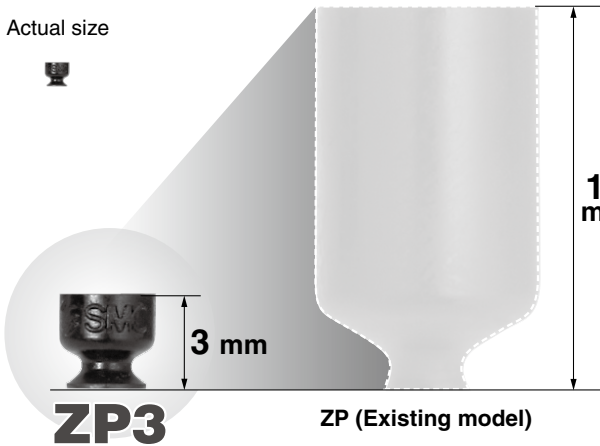
Pad unit

Max. 9 mm shorter

With adapter

Max. 11 mm shorter

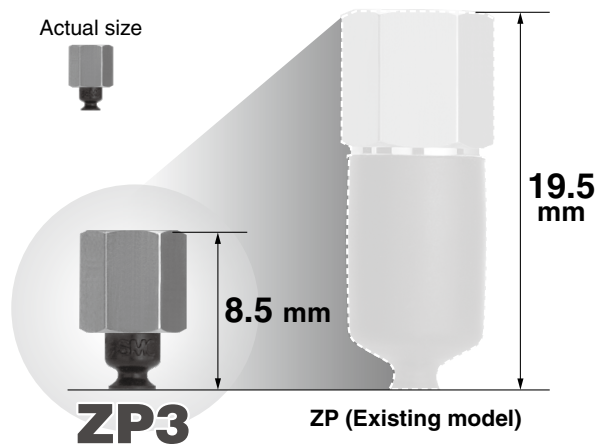
Actual size



ZP3

ZP (Existing model)

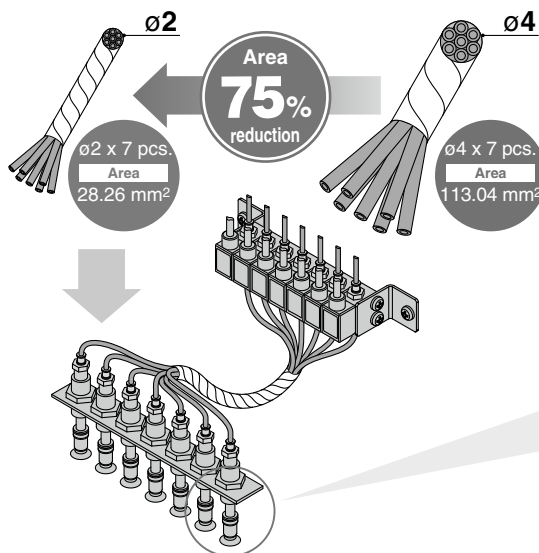
Actual size



ZP3

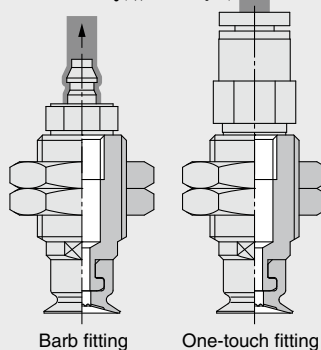
ZP (Existing model)

Space saving ø2 piping reduces working space!



Vertical

- Male thread
- Female thread
- Barb fitting (Applicable tubing: ø2)
- One-touch fitting (Applicable tubing: ø2)

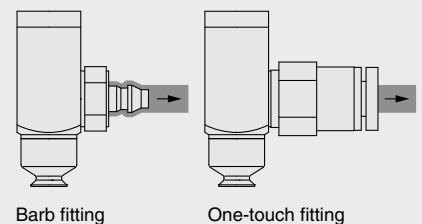


Barb fitting

One-touch fitting

Lateral

- Female thread
- Barb fitting (Applicable tubing: ø2)
- One-touch fitting (Applicable tubing: ø2)



Barb fitting

One-touch fitting

CONTENTS

Compact Type ZP3 Series

Features.....	p. 133
Variations.....	p. 134
Specifications.....	p. 135
Flat Type	
· How to Order.....	p. 136
· Dimensions/Models.....	p. 137
Flat Type with Groove	
· How to Order.....	p. 142
· Dimensions/Models.....	p. 143

Bellows Type

· How to Order.....	p. 148
· Dimensions/Models.....	p. 149

Bellows Type with Ribs

· How to Order.....	p. 154
· Dimensions/Models.....	p. 155
Construction.....	p. 160
Mounting Bracket Assembly.....	p. 162
Specific Product Precautions.....	p. 165



Improved functions

Improved removability

Adsorption surface is shot-blasted

Micro-dents and bumps on the surface facilitate easy removal.

With groove

Less contact surface with the workpiece makes it easy to remove.



Construction to prevent the pad from coming off

The new shape of the part which connects with the adapter prevents the pad from coming off.



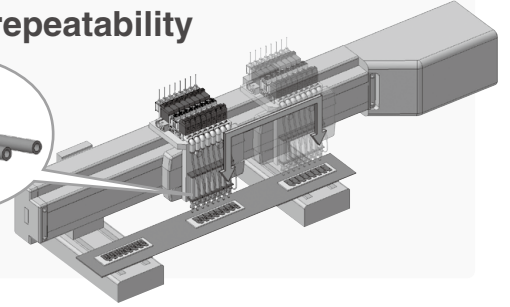
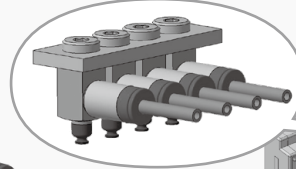
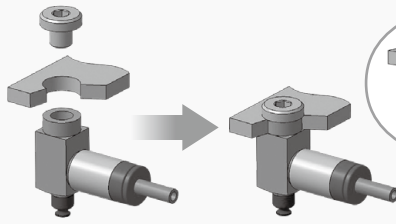
Pad diameter from $\phi 1.5$

Easier identification

SMC logo mark

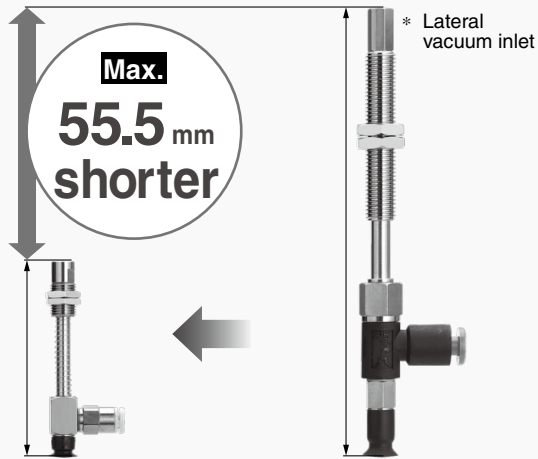


Fixing boss which allows for easy mounting and repeatability



Compact buffer body

Overall length shortened



ZP3

ZP

Pad diameter $\phi 8$, Flat type, With One-touch fitting

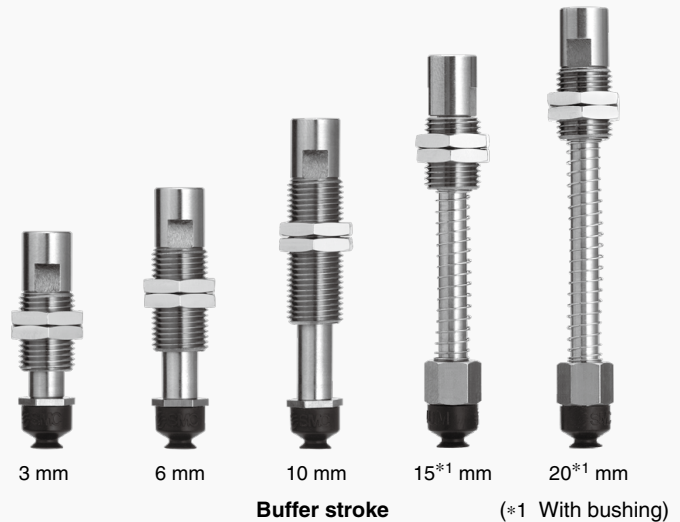
ZP3

Stroke	Overall length [mm]
3	40
6	46
10	56
15	59
20	66.5
25	—

ZP

Stroke	Overall length [mm]
3	—
6	78.5
10	109.5
15	114.5
20	—
25	124.5

Short stroke type: 3 mm available



3 mm

6 mm

10 mm

15*1 mm

20*1 mm

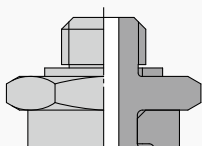
Buffer stroke

(*1 With bushing)

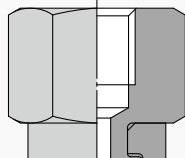
Pad diameter	Buffer specifications	Stroke [mm]				
		3	6	10	15	20
$\phi 1.5, \phi 2, \phi 3.5$	Rotating, Non-rotating	●	●	—	—	—
	Rotating	●	●	●	—	—
$\phi 4, \phi 6, \phi 8, \phi 10, \phi 13, \phi 16$	Rotating, With bushing	—	—	—	●	●
	Non-rotating	●	●	●	●	●

Wide selection of piping

Male thread

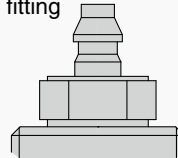


Female thread

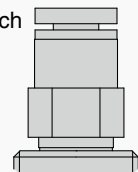



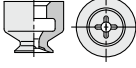
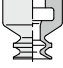
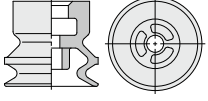


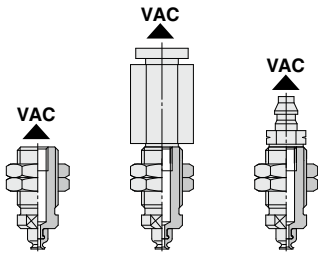
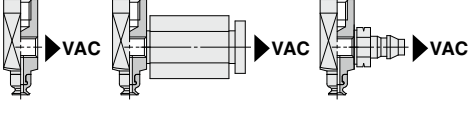
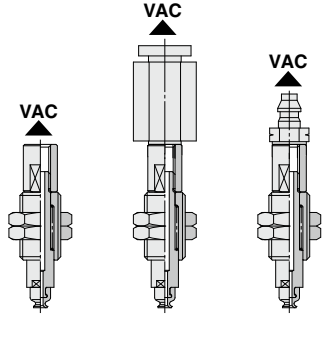
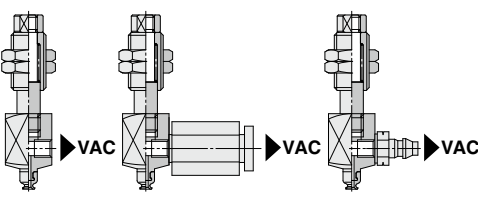
For $\phi 2$ piping!

Barb fitting



One-touch fitting



		Vacuum inlet direction									
		Flat type	Flat type with groove	Bellows type	Bellows type with ribs						
Vacuum inlet direction	Single unit					p. 137	p. 143	p. 149	p. 155		
	Vertical	ZP3-T With adapter					p. 137	p. 143	p. 149	p. 155	
		ZP3-T With adapter					p. 138	p. 144	p. 150	p. 156	
		Lateral	ZP3-Y With adapter					p. 139	p. 145	p. 151	p. 157
			ZP3-T With buffer					p. 140	p. 146	p. 152	p. 158
	Lateral	ZP3-Y With buffer					p. 141	p. 147	p. 153	p. 159	

Model Selection

ZP3 Compact

Flat Type

Flat Type with Groove

Bellows Type

Bellows Type with Ribs

Construction

Mounting Bracket Assembly

Precautions

Compact Type *ZP3 Series* Specifications

Pad Material

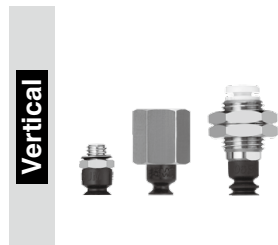
Material	NBR (Nitrile rubber)	Silicone rubber *1*2	Urethane rubber	FKM (Fluoro rubber)	Conductive NBR (Nitrile rubber)	Conductive silicone rubber	Semiconductive silicone rubber
Color of rubber	Black	White	Brown	Black			
Rubber hardness (Shore A: ±5°)	60		55 to 60	60			55

*1 Compliant with the FDA (USA Food and Drug Administration) regulation 21CFR§177.2600 for "Rubber articles intended for repeated use"

*2 Compliant with the standards for "Rubber apparatus (excluding baby drinking apparatus) and containers/packaging" (D3) (Partial revision: Ministry of Health, Labour, and Welfare Notification No. 595, 2012) in Section 3 "Apparatus and Containers/Packaging" of the Food Sanitation Act, Article 18 "Specifications and Standards for Food and Food Additives, etc." (Ministry of Health and Welfare Notification No. 370, 1959).

Adapter Specifications

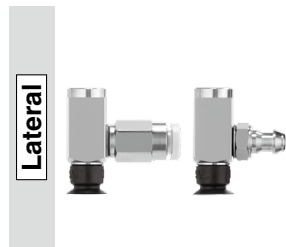
Vacuum Inlet Direction **Vertical** T Type/ZP3-T



Connection		Male thread					Female thread		
Pad diameter		ø1.5 to ø3.5		ø4 to ø8		ø10 to ø16		ø1.5 to ø3.5	ø4 to ø16
Connection thread		M3 x 0.5	M6 x 0.75	M5 x 0.8	M10 x 1	M5 x 0.8	M12 x 1	M3 x 0.5	M5 x 0.8
Vacuum inlet	Female thread	Use the connection thread.	M3 x 0.5	Use the connection thread.	M5 x 0.8	Use the connection thread.	M5 x 0.8	Use the connection thread.	Use the connection thread.
	One-touch fitting		ø2, ø4		ø2, ø4		ø2, ø4, ø6		
	Barb fitting*1		ø2, ø4		ø2, ø4		ø2, ø4, ø6		

*1 ø2 polyurethane tubing, ø4, ø6 soft tubing

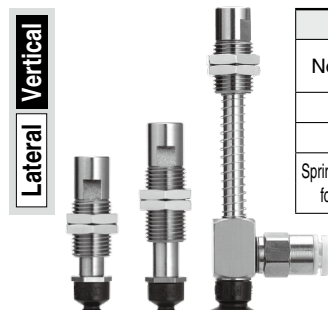
Vacuum Inlet Direction **Lateral** Y Type/ZP3-Y



Connection		Female thread		
Pad diameter		ø1.5 to ø3.5	ø4 to ø8	ø10 to ø16
Connection thread		M3 x 0.5	M5 x 0.8	M5 x 0.8
Vacuum inlet	Female thread	M3 x 0.5	M5 x 0.8	M5 x 0.8
	One-touch fitting	ø2, ø4	ø2, ø4	ø2, ø4, ø6
	Barb fitting*1	ø2, ø4	ø2, ø4	ø2, ø4, ø6

*1 ø2 polyurethane tubing, ø4, ø6 soft tubing

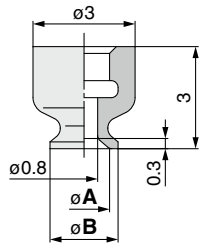
Buffer Specifications



Pad diameter		ø1.5 to ø3.5		ø4 to ø16		
Non-rotating specification		J: Rotating	K: Non-rotating	J: Rotating	JB: Rotating, With bushing	K: Non-rotating
Stroke [mm]		3, 6		3, 6, 10	15, 20	3, 6, 10, 15, 20
Connection thread		M6 x 0.75	M8 x 0.75	M8 x 0.75		
Spring reactive force [N]	At 0 stroke	0.2		0.2		
	At full stroke	0.4	0.5	0.5		

Dimensions/Models

Single unit $\varnothing 1.5$ to $\varnothing 3.5$



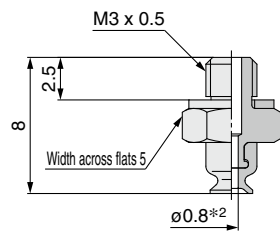
Construction p. 160
Mounting Bracket Assembly From p. 162

ZP3 - **015** U **N**
① ②

Model	① Pad dia.	Form	② Material ^{*1}	A	B
				ZP3	015
	02	2	2.5		
	035	3.5	4		

*1 N: NBR, S: Silicone rubber, U: Urethane rubber, F: FKM, GN: Conductive NBR, GS: Conductive silicone rubber

With adapter $\varnothing 1.5$ to $\varnothing 3.5$



Construction p. 160
Adapter Assembly p. 162

ZP3 **□** - T **015** U **N** - **A3**
① ② ③ ④

① Adapter material

Nil	Brass
S	Stainless steel (Stainless steel 304)

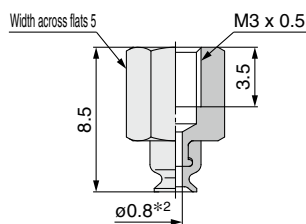
④ Connection thread (Male thread)

A3	M3 x 0.5
----	----------

Model	① Adapter material	Vacuum inlet direction	② Pad dia.	Form	③ Material ^{*1}	④ Connection thread

*1 N: NBR, S: Silicone rubber, U: Urethane rubber, F: FKM, GN: Conductive NBR, GS: Conductive silicone rubber

*2 Indicates the minimum hole size of the adapter or vacuum pad



Construction p. 160
Adapter Assembly p. 162

ZP3 **□** - T **015** U **N** - **B3**
① ② ③ ④

① Adapter material

Nil	Brass
S	Stainless steel (Stainless steel 304)

④ Connection thread (Female thread)

B3	M3 x 0.5
----	----------

Model	① Adapter material	Vacuum inlet direction	② Pad dia.	Form	③ Material ^{*1}	④ Connection thread

*1 N: NBR, S: Silicone rubber, U: Urethane rubber, F: FKM, GN: Conductive NBR, GS: Conductive silicone rubber

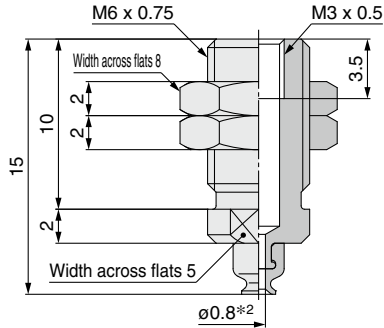
*2 Indicates the minimum hole size of the adapter or vacuum pad

Dimensions/Models

With adapter $\varnothing 1.5$ to $\varnothing 3.5$

ZP3 - T 015 U N - A6 - B3

1
 2
 3
 4
 5



1 Adapter material

Nil	Brass
S	Stainless steel (Stainless steel 304)

4 Connection thread (Male thread)

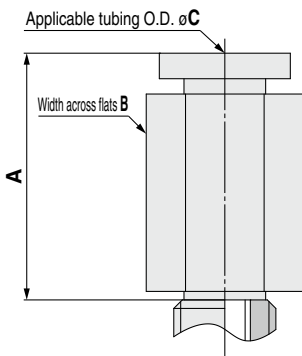
A6	M6 x 0.75
-----------	-----------

5 Vacuum inlet

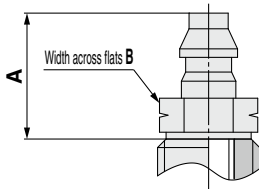
B3	M3 x 0.5	Female thread
02	$\varnothing 2$	One-touch fitting*1
04	$\varnothing 4$	
U2	For $\varnothing 2$ polyurethane tubing	Barb fitting*1
U4	For $\varnothing 4$ soft tubing	

*1 Not compatible with stainless steel materials

Vacuum inlet: One-touch fitting



Vacuum inlet: Barb fitting



Construction p. 160

Adapter Assembly p. 163

Model	1	Vacuum inlet direction	2	Form	3	4	5
	Adapter material		Pad dia.		Material*1	Connection thread	Vacuum inlet
ZP3	Nil S	T	015 02 035	U	N S U F GN GS	A6	B3

Dimensions Per Vacuum Inlet: One-touch Fitting

Model	1	Vacuum inlet direction	2	Form	3	4	5	A	B	C	Fitting part min. hole size	Fitting part no.
	Adapter material		Pad dia.		Material*1	Connection thread	Vacuum inlet					
ZP3	Nil	T	015 02 035	U	N S U F GN GS	A6	02	13	5.5	2	$\varnothing 1.2$	KQ2H02-M3G
							04	14.5	8	4		KQ2H04-M3G

Dimensions Per Vacuum Inlet: Barb Fitting

Model	1	Vacuum inlet direction	2	Form	3	4	5	A	B	Fitting part min. hole size	Fitting part no.
	Adapter material		Pad dia.		Material*1	Connection thread	Vacuum inlet				
ZP3	Nil	T	015 02 035	U	N S U F GN GS	A6	U2	6.5	4.5	$\varnothing 0.9$	M-3AU-2
							U4	7.4	5	$\varnothing 1.2$	M-3AU-4-X83

*1 N: NBR, S: Silicone rubber, U: Urethane rubber, F: FKM, GN: Conductive NBR, GS: Conductive silicone rubber

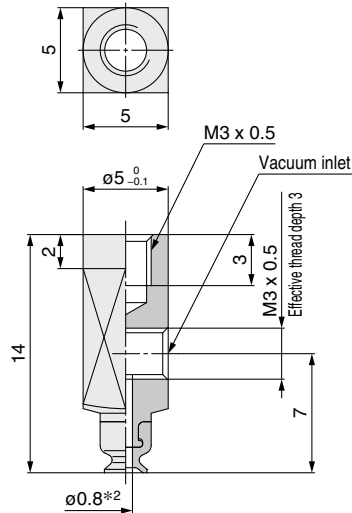
*2 Indicates the minimum hole size of the adapter or vacuum pad

Dimensions/Models

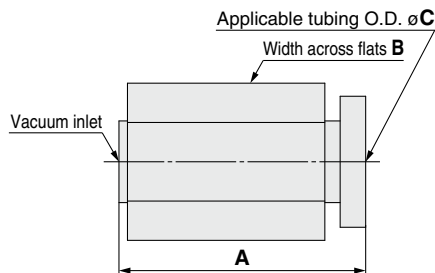
With adapter $\varnothing 1.5$ to $\varnothing 3.5$

ZP3 - Y 015 U N - B3 - B3

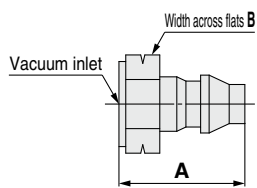
1
 2
 3
 4
 5



Vacuum inlet: One-touch fitting



Vacuum inlet: Barb fitting



Construction p. 160

Adapter Assembly p. 162

1 Adapter material

Nil	Brass
S	Stainless steel (Stainless steel 304)

4 Connection thread (Female thread)

B3	M3 x 0.5
-----------	----------

5 Vacuum inlet

B3	M3 x 0.5	Female thread
02	$\varnothing 2$	One-touch fitting*1
04	$\varnothing 4$	
U2	For $\varnothing 2$ polyurethane tubing	Barb fitting*1
U4	For $\varnothing 4$ soft tubing	

*1 Not compatible with stainless steel materials

	Model						
	1 Adapter material	Vacuum inlet direction	2 Pad dia.	Form	3 Material*1	4 Connection thread	5 Vacuum inlet
ZP3	Nil S	Y	015 02 035	U	N S U F GN GS	B3	B3

Dimensions Per Vacuum Inlet: One-touch Fitting

	Model						A	B	C	Fitting part min. hole size	Fitting part no.
	1 Adapter material	Vacuum inlet direction	2 Pad dia.	Form	3 Material*1	4 Connection thread					
ZP3	Nil	Y	015 02 035	U	N S U F GN GS	B3	13	5.5	2	$\varnothing 1.2$	KQ2H02-M3G
											04

Dimensions Per Vacuum Inlet: Barb Fitting

	Model						A	B	Fitting part min. hole size	Fitting part no.
	1 Adapter material	Vacuum inlet direction	2 Pad dia.	Form	3 Material*1	4 Connection thread				
ZP3	Nil	Y	015 02 035	U	N S U F GN GS	B3	6.5	4.5	$\varnothing 0.9$	M-3AU-2

*1 N: NBR, S: Silicone rubber, U: Urethane rubber, F: FKM, GN: Conductive NBR, GS: Conductive silicone rubber

*2 Indicates the minimum hole size of the adapter or vacuum pad

Dimensions/Models

With buffer $\varnothing 1.5$ to $\varnothing 3.5$

ZP3 - T 015 U N J 3 - B3

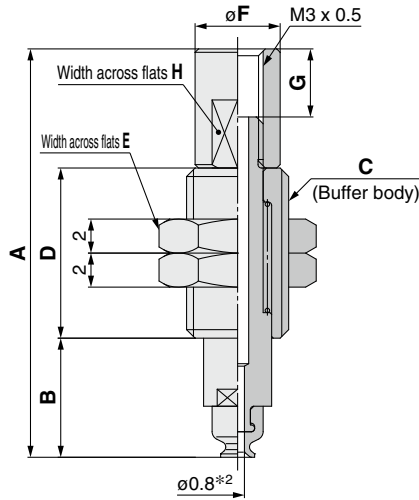
① ② ③ ④ ⑤

⑤ Vacuum inlet

Buffer specification ③

J	Rotating
K	Non-rotating

B3	M3 x 0.5	Female thread
02	$\varnothing 2$	One-touch fitting
04	$\varnothing 4$	One-touch fitting
U2	For $\varnothing 2$ polyurethane tubing	Barb fitting
U4	For $\varnothing 4$ soft tubing	

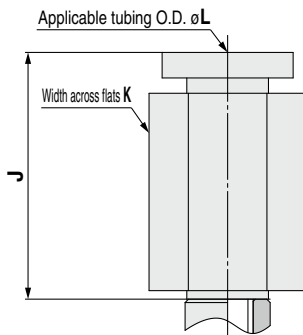


		Model					A	B	C	D	E	F	G	H
Vacuum inlet direction	① Pad dia.	Form	② ^{*1} Material	③ Buffer spec.	④ Buffer stroke	⑤ Vacuum inlet								
ZP3	T	015 02 035	U	N S U F GN GS	J	3	24	7	M6 x 0.75	10	8	5	4	4
						6								
					K	3	26.5	8	M8 x 0.75	11	10	7	3	6
						6								

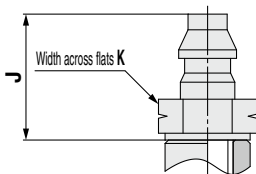
Dimensions Per Vacuum Inlet: One-touch Fitting

		Model					J	K	L	Fitting part min. hole size	Fitting part no.
Vacuum inlet direction	① Pad dia.	Form	② ^{*1} Material	③ Buffer spec.	④ Buffer stroke	⑤ Vacuum inlet					
ZP3	T	015 02 035	U	N S U F GN GS	J K	3 6	13	5.5	2	$\varnothing 1.2$	KQ2H02-M3G
											02

Vacuum inlet: One-touch fitting



Vacuum inlet: Barb fitting



Dimensions Per Vacuum Inlet: Barb Fitting

		Model					J	K	Fitting part min. hole size	Fitting part no.
Vacuum inlet direction	① Pad dia.	Form	② ^{*1} Material	③ Buffer spec.	④ Buffer stroke	⑤ Vacuum inlet				
ZP3	T	015 02 035	U	N S U F GN GS	J K	3 6	6.5	4.5	$\varnothing 0.9$	M-3AU-2
										U2

*1 N: NBR, S: Silicone rubber, U: Urethane rubber, F: FKM, GN: Conductive NBR, GS: Conductive silicone rubber

*2 Indicates the minimum hole size of the adapter or vacuum pad

Construction	p. 161
Buffer Assembly	p. 164

Dimensions/Models

With buffer $\varnothing 1.5$ to $\varnothing 3.5$

ZP3 - Y 015 U N J 3 - B3

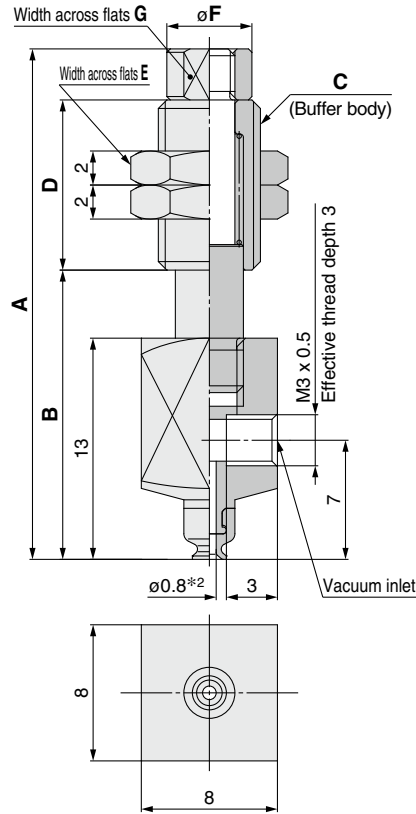
① ② ③ ④

⑤ Vacuum inlet

Buffer specification ③

J	Rotating
K	Non-rotating

B3	M3 x 0.5	Female thread
02	$\varnothing 2$	One-touch fitting
04	$\varnothing 4$	
U2	For $\varnothing 2$ polyurethane tubing	
U4	For $\varnothing 4$ soft tubing	



		Model					A	B	C	D	E	F	G	
	Vacuum inlet direction	① Pad dia.	Form	② ^{*1} Material	③ Buffer spec.	④ Buffer stroke	⑤ Vacuum inlet							
ZP3	Y	015 02 035	U	N S U F GN GS	J	3	B3	30	17	M6 x 0.75	10	8	5	4
						6		37	20		14			
					K	3	34	17	M8 x 0.75	11	10	7	6	
						6	40.5	20		14.5				

Dimensions Per Vacuum Inlet: One-touch Fitting

		Model					H	J	K	Fitting part min. hole size	Fitting part no.	
	Vacuum inlet direction	① Pad dia.	Form	② ^{*1} Material	③ Buffer spec.	④ Buffer stroke	⑤ Vacuum inlet					
ZP3	Y	015 02 035	U	N S U F GN GS	J K	3 6	02	13	5.5	2	$\varnothing 1.2$	KQ2H02-M3G
							04	14.5	8	4		KQ2H04-M3G

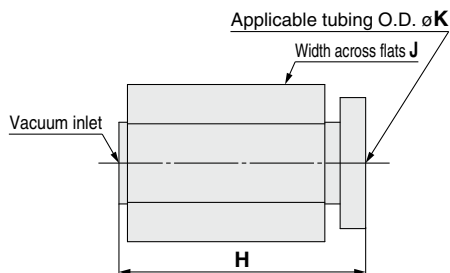
Dimensions Per Vacuum Inlet: Barb Fitting

		Model					H	J	Fitting part min. hole size	Fitting part no.	
	Vacuum inlet direction	① Pad dia.	Form	② ^{*1} Material	③ Buffer spec.	④ Buffer stroke	⑤ Vacuum inlet				
ZP3	Y	015 02 035	U	N S U F GN GS	J K	3 6	U2	6.5	4.5	$\varnothing 0.9$	M-3AU-2
							U4	7.4	5	$\varnothing 1.2$	M-3AU-4-X83

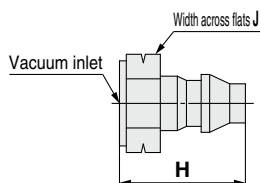
*1 N: NBR, S: Silicone rubber, U: Urethane rubber, F: FKM, GN: Conductive NBR, GS: Conductive silicone rubber

*2 Indicates the minimum hole size of the adapter or vacuum pad

Vacuum inlet: One-touch fitting



Vacuum inlet: Barb fitting



Construction	p. 161
Buffer Assembly	p. 164



Compact Type Flat Type with Groove

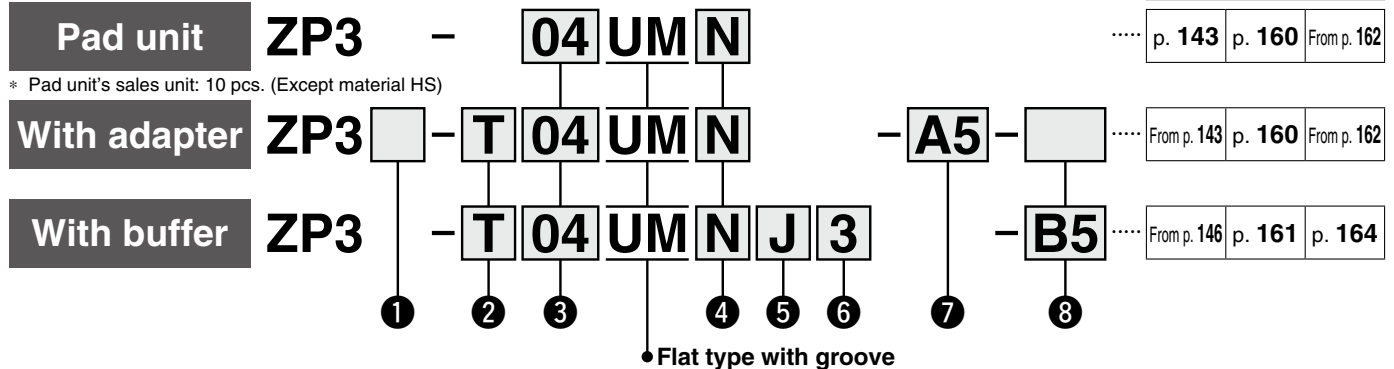
ZP3 Series

Pad diameter: $\varnothing 4, \varnothing 6, \varnothing 8, \varnothing 10, \varnothing 13, \varnothing 16$



Model Selection

How to Order



① Adapter material

Nil	Brass
S*1	Stainless steel (Stainless steel 304)

*1 Only applicable to the pad with adapter

② Vacuum inlet direction

Nil	Pad unit
T	Vertical
Y	Lateral

③ Pad diameter

04	$\varnothing 4$
06	$\varnothing 6$
08	$\varnothing 8$
10	$\varnothing 10$
13	$\varnothing 13$
16	$\varnothing 16$

④ Material

N	NBR
S	Silicone rubber*1*2
U	Urethane rubber
F	FKM
GN	Conductive NBR
GS	Conductive silicone rubber
HS	Semiconductive silicone rubber

⑤ Buffer specification

J	Rotating
JB	Rotating, With bushing
K	Non-rotating

⑥ Buffer stroke

Stroke [mm]	Buffer specification		
	J	JB	K
3	●	—	●
6	●	—	●
10	●	—	●
15	—	●	●
20	—	●	●

*1 Compliant with the FDA (USA Food and Drug Administration) regulation 21CFR§177.2600 for "Rubber articles intended for repeated use"

*2 Compliant with the standards for "Rubber apparatus (excluding baby drinking apparatus) and containers/packaging" (D3) (Partial revision: Ministry of Health, Labour, and Welfare Notification No. 595, 2012) in Section 3 "Apparatus and Containers/Packaging" of the Food Sanitation Act, Article 18 "Specifications and Standards for Food and Food Additives, etc." (Ministry of Health and Welfare Notification No. 370, 1959).

With adapter

⑦ Connection thread/ ⑧ Vacuum inlet ○: ZP3□-T/Vertical ●: ZP3□-Y/Lateral

Type	⑦ Connection thread		⑧ Vacuum inlet		Pad diameter [mm]	
	Symbol	Size	Symbol	Size	$\varnothing 4$ to $\varnothing 8$	$\varnothing 10$ to $\varnothing 16$
Male thread	A5	M5 x 0.8	—	Nil	Use the connection thread.	○ ○
			Female thread	B5	M5 x 0.8	○ —
			One-touch fitting	02*3	$\varnothing 2$	○ —
				04	$\varnothing 4$	○ —
			Barb fitting*3	U2	For $\varnothing 2$ polyurethane tubing*1	○ —
				U4	For $\varnothing 4$ soft tubing*2	○ —
	A10	M10 x 1	Female thread	B5	M5 x 0.8	— ○
			One-touch fitting	02*3	$\varnothing 2$	— ○
				04	$\varnothing 4$	— ○
			Barb fitting*3	U2	For $\varnothing 2$ polyurethane tubing*1	— ○
				U4	For $\varnothing 4$ soft tubing*2	— ○
			A12	M12 x 1	Female thread	B5
One-touch fitting	02*3	$\varnothing 2$			— ○	
	04	$\varnothing 4$			— ○	
Barb fitting*3	U2	For $\varnothing 2$ polyurethane tubing*1			— ○	
	U4	For $\varnothing 4$ soft tubing*2			— ○	
Female thread	B5	M5 x 0.8			—	Nil
			Female thread	B5	M5 x 0.8	● ●
			One-touch fitting*3	02	$\varnothing 2$	● ●
				04	$\varnothing 4$	● ●
			Barb fitting*3	U2	For $\varnothing 2$ polyurethane tubing*1	● ●
				U4	For $\varnothing 4$ soft tubing*2	● ●

With buffer

⑧ Vacuum inlet ○: ZP3-T/Vertical ●: ZP3-Y/Lateral

Type	Symbol	Size	Pad diameter [mm]	
			$\varnothing 4$ to $\varnothing 8$	$\varnothing 10$ to $\varnothing 16$
Female thread	B5	M5 x 0.8	○ ●	○ ●
One-touch fitting	02	$\varnothing 2$	○ ●	○ ●
	04	$\varnothing 4$	○ ●	○ ●
	06	$\varnothing 6$	—	○ ●
Barb fitting	U2	For $\varnothing 2$ polyurethane tubing*1	○ ●	○ ●
	U4	For $\varnothing 4$ soft tubing*2	○ ●	○ ●
	U6	For $\varnothing 6$ soft tubing*2	—	○ ●

*1 Polyurethane tube piping

*2 Soft nylon/Polyurethane tube piping

*3 Not compatible with stainless steel materials

* It is not necessary to select a connection thread.

* The pad, mounting nut, and fitting are shipped together but do not come assembled.

ZP3 Compact

Flat Type

Flat Type with Groove

Bellows Type

Bellows Type with Ribs

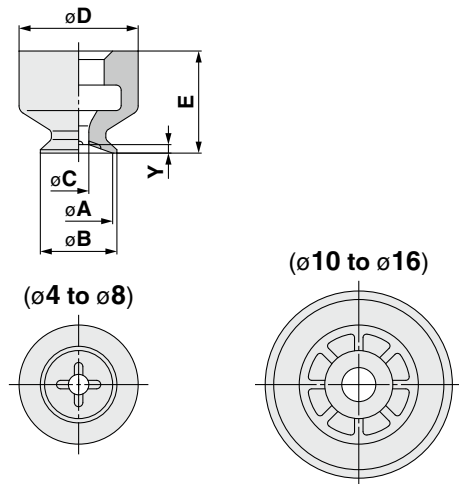
Construction

Mounting Bracket Assembly

Precautions

Dimensions/Models

Single unit $\varnothing 4$ to $\varnothing 16$



ZP3 - **04** UM **N**

① ②

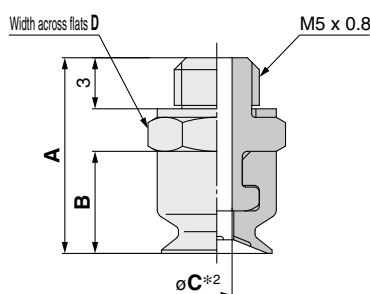
Model				A	B	C	D	E	Y
① Pad dia.	Form	② Material	*1						
ZP3	04	UM	N	4	4.5	1.2	7	6	0.5
	06		S	6	6.5				0.8
	08		U	8	8.5				1
	10		F	10	11	2	9	7	1
	13		GN	13	14				1.2
	16		GS	16	17				1.2

*1 N: NBR, S: Silicone rubber, U: Urethane rubber, F: FKM, GN: Conductive NBR, GS: Conductive silicone rubber, HS: Semiconductive silicone rubber

Construction p. 160

Mounting Bracket Assembly From p. 162

With adapter $\varnothing 4$ to $\varnothing 16$



Construction p. 160

Adapter Assembly p. 162

ZP3 - T **04** UM **N** - **A5**

① ② ③ ④

① Adapter material

Nil	Brass
S	Stainless steel (Stainless steel 304)

④ Connection thread (Male thread)

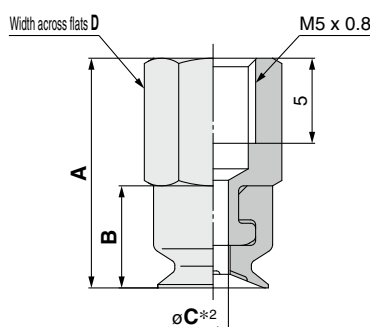
A5	M5 x 0.8
----	----------

Model							A	B	C*2	D
① Adapter material	Vacuum inlet direction	② Pad dia.	Form	③ Material	④ Connection thread	*1				
ZP3	Nil S	T	04	UM	N S U F GN GS HS	A5	11.5	6	1.2	7
			06							
			08							
			10				12.5	7	1.8	10
			13							
			16							

*1 N: NBR, S: Silicone rubber, U: Urethane rubber, F: FKM, GN: Conductive NBR, GS: Conductive silicone rubber, HS: Semiconductive silicone rubber

*2 Indicates the minimum hole size of the adapter or vacuum pad

With adapter $\varnothing 4$ to $\varnothing 16$



Construction p. 160

Adapter Assembly p. 162

ZP3 - T **04** UM **N** - **B5**

① ② ③ ④

① Adapter material

Nil	Brass
S	Stainless steel (Stainless steel 304)

④ Connection thread (Female thread)

B5	M5 x 0.8
----	----------

Model							A	B	C*2	D
① Adapter material	Vacuum inlet direction	② Pad dia.	Form	③ Material	④ Connection thread	*1				
ZP3	Nil S	T	04	UM	N S U F GN GS HS	B5	13.5	6	1.2	7
			06							
			08							
			10				14.5	7	1.8	10
			13							
			16							

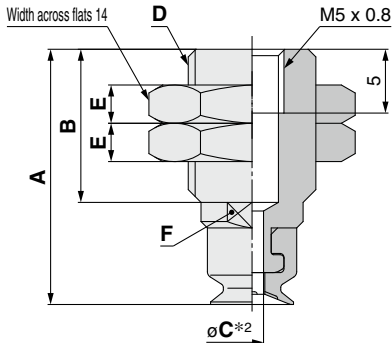
*1 N: NBR, S: Silicone rubber, U: Urethane rubber, F: FKM, GN: Conductive NBR, GS: Conductive silicone rubber, HS: Semiconductive silicone rubber

*2 Indicates the minimum hole size of the adapter or vacuum pad

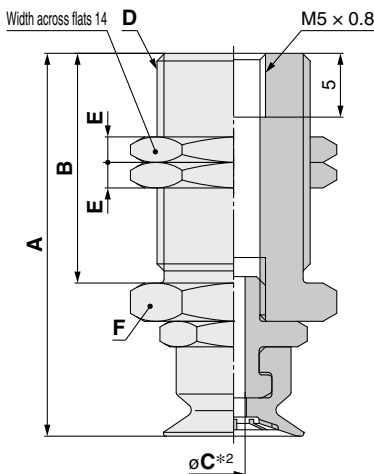
Dimensions/Models

With adapter $\phi 4$ to $\phi 16$

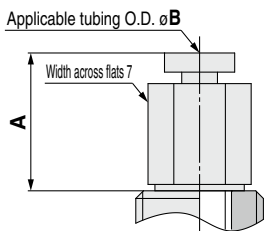
Pad diameter: $\phi 4$ to $\phi 6$



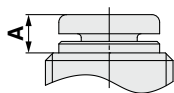
Pad diameter: $\phi 10$ to $\phi 16$



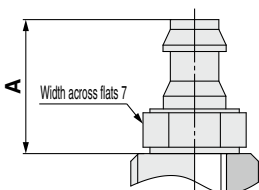
Vacuum inlet: One-touch fitting ($\phi 2$)



Vacuum inlet: Built-in One-touch fitting ($\phi 4, \phi 6$)



Vacuum inlet: Barb fitting



ZP3 **1** - T **04** **2** UM **N** **3** - **A10** **4** - **B5** **5**

1 Adapter material

Nil	Brass
S	Stainless steel (Stainless steel 304)

4 Connection thread (Male thread)

A10	M10 x 1
A12	M12 x 1

5 Vacuum inlet

B5	M5 x 0.8	Female thread
02	$\phi 2$	One-touch fitting
04	$\phi 4$	
06	$\phi 6$	
U2 *1	For $\phi 2$ polyurethane tubing	Barb fitting
U4 *1	For $\phi 4$ soft tubing	
U6 *1	For $\phi 6$ soft tubing	

*1 Not compatible with stainless steel materials

Model	1 Adapter material	Vacuum inlet direction	2 Pad dia.	Form	3 Material*1	4 Connection thread	5 Vacuum inlet	A	B	C*2	D	E	F
								ZP3	Nil S	T	04 06 08 10 13 16	UM	N S U F GN GS HS

Dimensions Per Vacuum Inlet: One-touch Fitting

Model	1 Adapter material	Vacuum inlet direction	2 Pad dia.	Form	3 Material*1	4 Connection thread	5 Vacuum inlet	A	B	Fitting part min. hole size	Fitting part no.
ZP3	Nil S	T	04 06 08 10 13 16	UM	N S U F GN GS HS	A10 A12	02*3 04 02 04 06	10.8 3 10.8 3 3.2	2 4 2 4 6	$\phi 1.4$ $\phi 1.8$ $\phi 1.4$ $\phi 1.8$	KQ2H02-M5N KQ2H02-M5N

*3 Not compatible with stainless steel materials

Dimensions Per Vacuum Inlet: Barb Fitting

Model	1 Adapter material	Vacuum inlet direction	2 Pad dia.	Form	3 Material*1	4 Connection thread	5 Vacuum inlet	A	Fitting part min. hole size	Fitting part no.
ZP3	Nil	T	04 06 08 10 13 16	UM	N S U F GN GS HS	A10 A12	U2 U4 U2 U4 U6	6.5 8.5 6.5 8.5 10.5	$\phi 0.9$ $\phi 1.8$ $\phi 0.9$ $\phi 1.8$ $\phi 2.5$	M-5AU-2 M-5AU-4 M-5AU-2 M-5AU-4 M-5AU-6

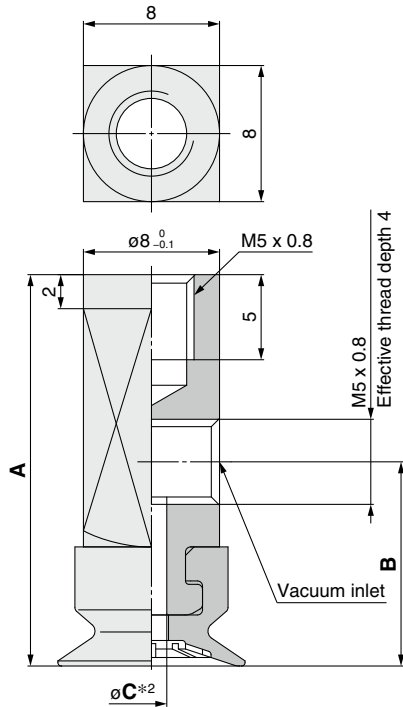
*1 N: NBR, S: Silicone rubber, U: Urethane rubber, F: FKM, GN: Conductive NBR, GS: Conductive silicone rubber, HS: Semiconductive silicone rubber

*2 Indicates the minimum hole size of the adapter or vacuum pad

Dimensions/Models

With adapter $\phi 4$ to $\phi 16$

ZP3 - Y 04 UM N - B5 - B5
① ② ③ ④ ⑤



① Adapter material

Nil	Brass
S	Stainless steel (Stainless steel 304)

④ Connection thread (Female thread)

B5	M5 x 0.8
-----------	----------

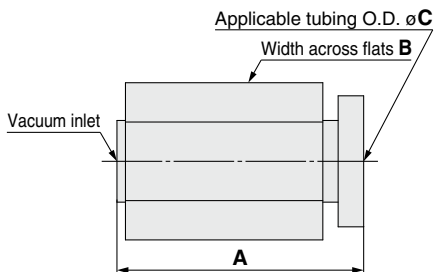
⑤ Vacuum inlet

B5	M5 x 0.8	Female thread
02	$\phi 2$	One-touch fitting*1
04	$\phi 4$	
06	$\phi 6$	
U2	For $\phi 2$ polyurethane tubing	Barb fitting*1
U4	For $\phi 4$ soft tubing	
U6	For $\phi 6$ soft tubing	

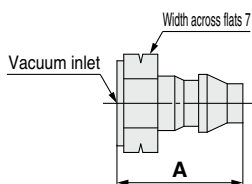
*1 Not compatible with stainless steel materials

	Model						A	B	C*2	
	① Adapter material	Vacuum inlet direction	② Pad dia.	Form	③ Material*1	④ Connection thread				⑤ Vacuum inlet
ZP3	Nil S	Y	04	UM	N S U F GN GS HS	B5	B5	22	11	1.2
			06							2
			08							
			10 13 16							
										2

Vacuum inlet: One-touch fitting



Vacuum inlet: Barb fitting



Construction p. 160

Adapter Assembly p. 162

Dimensions Per Vacuum Inlet: One-touch Fitting

	Model						A	B	C	Fitting part min. hole size	Fitting part no.	
	① Adapter material	Vacuum inlet direction	② Pad dia.	Form	③ Material*1	④ Connection thread						⑤ Vacuum inlet
ZP3	Nil	Y	04	UM	N S U F GN GS HS	B5	02	10.8	7	2	$\phi 1.4$	KQ2H02-M5N
			06				14.7	8	4	$\phi 2.5$	KQ2H04-M5N	
			08									
			10				14.7	8	4	$\phi 2.5$	KQ2H04-M5N	
			13									
			16									10

Dimensions Per Vacuum Inlet: Barb Fitting

	Model						A	Fitting part min. hole size	Fitting part no.	
	① Adapter material	Vacuum inlet direction	② Pad dia.	Form	③ Material*1	④ Connection thread				⑤ Vacuum inlet
ZP3	Nil	Y	04	UM	N S U F GN GS HS	B5	U2	6.5	$\phi 0.9$	M-5AU-2
			06				8.5	$\phi 1.8$	M-5AU-4	
			08							
			10				8.5	$\phi 1.8$	M-5AU-4	
			13							
			16							10.5

*1 N: NBR, S: Silicone rubber, U: Urethane rubber, F: FKM, GN: Conductive NBR, GS: Conductive silicone rubber, HS: Semiconductive silicone rubber

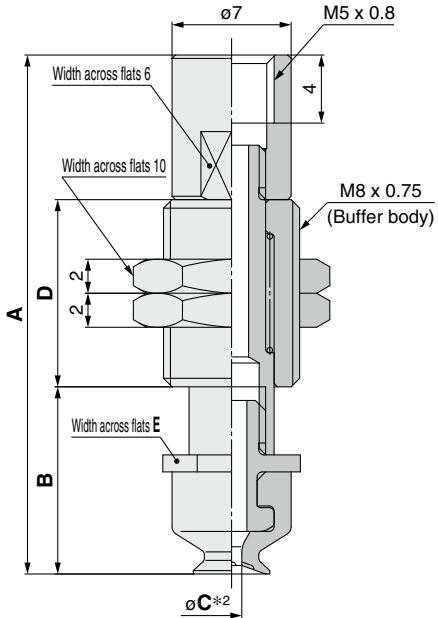
*2 Indicates the minimum hole size of the adapter or vacuum pad

Dimensions/Models

With buffer $\varnothing 4$ to $\varnothing 16$

ZP3 - T **04** **UM** **N** **J** **3** - **B5**

① ② ③ ④ ⑤



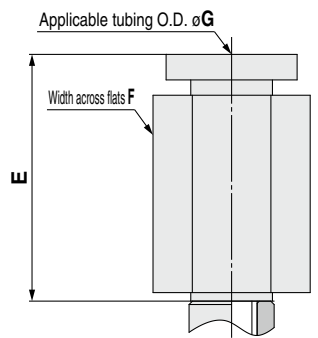
Buffer specification ③

J	Rotating
JB	Rotating, With bushing
K	Non-rotating

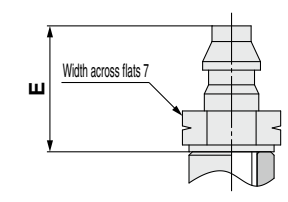
⑤ Vacuum inlet

B5	M5 x 0.8	Female thread
02	$\varnothing 2$	One-touch fitting
04	$\varnothing 4$	
06	$\varnothing 6$	
U2	For $\varnothing 2$ polyurethane tubing	
U4	For $\varnothing 4$ soft tubing	
U6	For $\varnothing 6$ soft tubing	
		Barb fitting

Vacuum inlet: One-touch fitting



Vacuum inlet: Barb fitting



Construction p. 161
Buffer Assembly p. 164

		Model					A	B	C*2	D	E
Vacuum inlet direction	① Pad dia.	② Form	③ Material	④ Buffer spec.	⑤ Buffer stroke						
ZP3	T	04	UM	N S U F GN GS HS	J K	3	30.5	11	1.2	11	7
						6	37	14		14.5	
						10	47	18		20.5	
		06 08			JB K	3	30.5	11	11		
						6	37	14	14.5		
						10	47	18	20.5		
	10 13 16	JB K	B5	15	55	36.5	1.8	10			
				20	62.5	44		10			
				15	55	36.5		10			
				20	62.5	44		10			
				3	31.5	12		11			
				6	38	15		14.5			
10	48	19	20.5								
15	56	37.5	10								
20	63.5	45									

Dimensions Per Vacuum Inlet: One-touch Fitting

		Model					E	F	G	Fitting part min. hole size	Fitting part no.		
Vacuum inlet direction	① Pad dia.	② Form	③ Material	④ Buffer spec.	⑤ Buffer stroke								
ZP3	T	04 06 08	UM	N S U F GN GS HS	J JB K	3	02	10.8	7	2	$\varnothing 1.4$	KQ2H02-M5N	
						6	04	14.7	8	4	$\varnothing 2.5$	KQ2H04-M5N	
						10	02	10.8	7	2	$\varnothing 1.4$	KQ2H02-M5N	
		10 13 16			JB K	B5	15	04	14.7	8	4	$\varnothing 2.5$	KQ2H04-M5N
							20	06	14.7	10	6	$\varnothing 2.5$	KQ2H06-M5N

Dimensions Per Vacuum Inlet: Barb Fitting

		Model					E	Fitting part min. hole size	Fitting part no.		
Vacuum inlet direction	① Pad dia.	② Form	③ Material	④ Buffer spec.	⑤ Buffer stroke						
ZP3	T	04 06 08	UM	N S U F GN GS HS	J JB K	3	U2	6.5	$\varnothing 0.9$	M-5AU-2	
						6	U4	8.5	$\varnothing 1.8$	M-5AU-4	
						10	U2	6.5	$\varnothing 0.9$	M-5AU-2	
		10 13 16			JB K	B5	15	U4	8.5	$\varnothing 1.8$	M-5AU-4
							20	U6	10.5	$\varnothing 2.5$	M-5AU-6

*1 N: NBR, S: Silicone rubber, U: Urethane rubber, F: FKM, GN: Conductive NBR, GS: Conductive silicone rubber, HS: Semiconductive silicone rubber
*2 Indicates the minimum hole size of the adapter or vacuum pad

Dimensions/Models

With buffer $\varnothing 4$ to $\varnothing 16$

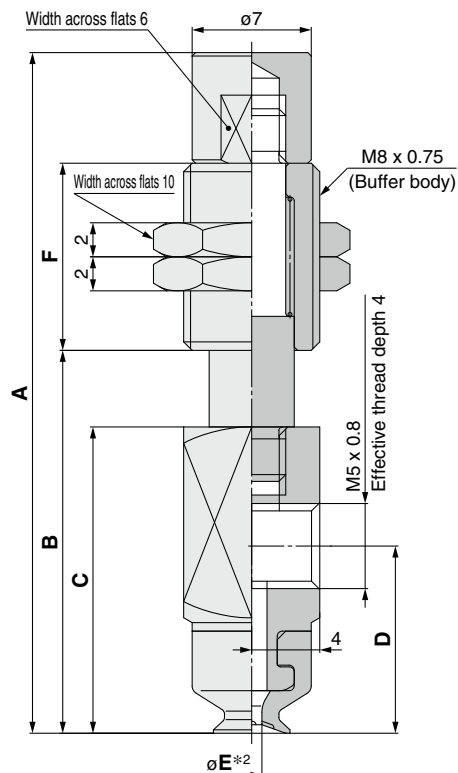
ZP3 - Y **04** **UM** **N** **J** **3** - **B5**

①

②

④

⑤ Vacuum inlet



Buffer specification ③

J	Rotating
JB	Rotating, With bushing
K	Non-rotating

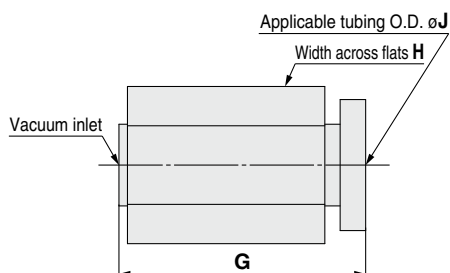
B5	M5 x 0.8	Female thread
02	$\varnothing 2$	One-touch fitting
04	$\varnothing 4$	
06	$\varnothing 6$	
U2	For $\varnothing 2$ polyurethane tubing	Barb fitting
U4	For $\varnothing 4$ soft tubing	
U6	For $\varnothing 6$ soft tubing	

		Model					A	B	C	D	E*2	F
Vacuum inlet direction	① Pad dia.	② Form	③ Material	④ Buffer spec.	⑤ Vacuum inlet							
ZP3	Y	04	UM	N S U F GN GS HS	J K	3	40	22.5	18	11	1.2	11
						6	46	25				14.5
						10	56	29				20.5
		06 08			JB K	3	40	22.5				11
						6	46	25				14.5
						10	56	29				20.5
	10 13 16	JB K	B5	15	59	42.5	1.8	10				
				20	66.5	50						
				15	59	42.5						
				20	66.5	50						
				3	41	23.5			1.8	11		
				6	47	26					14.5	
10	57	30	20.5									
15	60	43.5	10									
20	67.5	57										

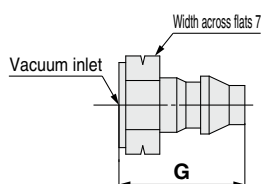
Dimensions Per Vacuum Inlet: One-touch Fitting

		Model					G	H	J	Fitting part min. hole size	Fitting part no.		
Vacuum inlet direction	① Pad dia.	② Form	③ Material	④ Buffer spec.	⑤ Vacuum inlet								
ZP3	Y	04 06 08	UM	N S U F GN GS HS	J K	3	02	10.8	7	2	$\varnothing 1.4$	KQ2H02-M5N	
						6	04	14.7	8	4	$\varnothing 2.5$	KQ2H04-M5N	
						10	02	10.8	7	2	$\varnothing 1.4$	KQ2H02-M5N	
		10 13 16			JB K	B5	15	04	14.7	8	4	$\varnothing 2.5$	KQ2H04-M5N
							20	06	14.7	10	6	$\varnothing 2.5$	KQ2H06-M5N

Vacuum inlet: One-touch fitting



Vacuum inlet: Barb fitting



Dimensions Per Vacuum Inlet: Barb Fitting

		Model					G	Fitting part min. hole size	Fitting part no.		
Vacuum inlet direction	① Pad dia.	② Form	③ Material	④ Buffer spec.	⑤ Vacuum inlet						
ZP3	Y	04 06 08	UM	N S U F GN GS HS	J K	3	U2	6.5	$\varnothing 0.9$	M-5AU-2	
						6	U4	8.5	$\varnothing 1.8$	M-5AU-4	
						10	U2	6.5	$\varnothing 0.9$	M-5AU-2	
		10 13 16			JB K	B5	15	U4	8.5	$\varnothing 1.8$	M-5AU-4
							20	U6	10.5	$\varnothing 2.5$	M-5AU-6

*1 N: NBR, S: Silicone rubber, U: Urethane rubber, F: FKM, GN: Conductive NBR, GS: Conductive silicone rubber, HS: Semiconductive silicone rubber

*2 Indicates the minimum hole size of the adapter or vacuum pad

Construction p. 161

Buffer Assembly p. 164



Compact Type

Bellows Type

ZP3 Series

Pad diameter: $\varnothing 4$, $\varnothing 6$, $\varnothing 8$



Model Selection

ZP3 Compact

Flat Type

Flat Type with Groove

Bellows Type

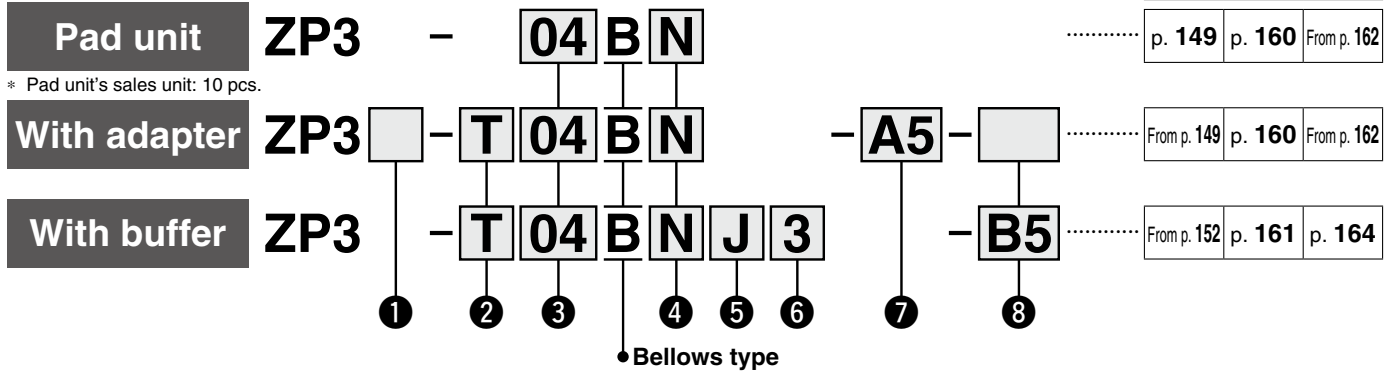
Bellows Type with Ribs

Construction

Mounting Bracket Assembly

Precautions

How to Order



① Adapter material

Nil	Brass
S*1	Stainless steel (Stainless steel 304)

*1 Only applicable to the pad with adapter

② Vacuum inlet direction

Nil	Pad unit
T	Vertical
Y	Lateral

③ Pad diameter

04	$\varnothing 4$
06	$\varnothing 6$
08	$\varnothing 8$

④ Material

N	NBR
S	Silicone rubber*1 *2
U	Urethane rubber
F	FKM
GN	Conductive NBR
GS	Conductive silicone rubber

*1 Compliant with the FDA (USA Food and Drug Administration) regulation 21CFR§177.2600 for "Rubber articles intended for repeated use"

*2 Compliant with the standards for "Rubber apparatus (excluding baby drinking apparatus) and containers/packaging" (D3) (Partial revision: Ministry of Health, Labour, and Welfare Notification No. 595, 2012) in Section 3 "Apparatus and Containers/Packaging" of the Food Sanitation Act, Article 18 "Specifications and Standards for Food and Food Additives, etc." (Ministry of Health and Welfare Notification No. 370, 1959)

⑤ Buffer specification

J	Rotating
JB	Rotating, With bushing
K	Non-rotating

⑥ Buffer stroke

Stroke [mm]	Buffer specification		
	J	JB	K
3	●	—	●
6	●	—	●
10	●	—	●
15	—	●	●
20	—	●	●

With adapter

⑦ Connection thread/⑧ Vacuum inlet ○: ZP3□-T/Vertical ●: ZP3□-Y/Lateral

⑦ Connection thread			⑧ Vacuum inlet			Pad diameter
Type	Symbol	Size	Type	Symbol	Size	All sizes
Male thread	A5	M5 x 0.8	—	Nil	Use the connection thread.	○
			Female thread	B5	M5 x 0.8	○
	A10	M10 x 1	One-touch fitting	02*3	$\varnothing 2$	○
			Barb fitting*3	04	$\varnothing 4$	○
				U2	For $\varnothing 2$ polyurethane tubing	○
Female thread	B5	M5 x 0.8	—	Nil	Use the connection thread.	○
			Female thread	B5	M5 x 0.8	●
	B5	M5 x 0.8	One-touch fitting*3	02	$\varnothing 2$	●
			Barb fitting*3	04	$\varnothing 4$	●
				U2	For $\varnothing 2$ polyurethane tubing*1	●
	U4	For $\varnothing 4$ soft tubing*2	●			

*1 Polyurethane tube piping

*2 Soft nylon/Polyurethane tube piping

*3 Not compatible with stainless steel materials

With buffer

⑧ Vacuum inlet ○: ZP3-T/Vertical ●: ZP3-Y/Lateral

Type	Symbol	Size	Pad diameter
			All sizes
Female thread	B5	M5 x 0.8	○●
One-touch fitting	02	$\varnothing 2$	○●
	04	$\varnothing 4$	○●
Barb fitting	U2	For $\varnothing 2$ polyurethane tubing*1	○●
	U4	For $\varnothing 4$ soft tubing*2	○●

* It is not necessary to select a connection thread.

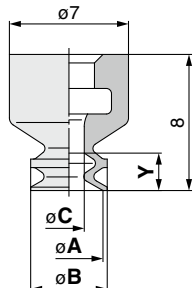
* The pad, mounting nut, and fitting are shipped together but do not come assembled.

Dimensions/Models

Single unit $\varnothing 4$ to $\varnothing 8$

ZP3 - **04** **B** **N**

① ②



Construction p. 160

Mounting Bracket Assembly From p. 162

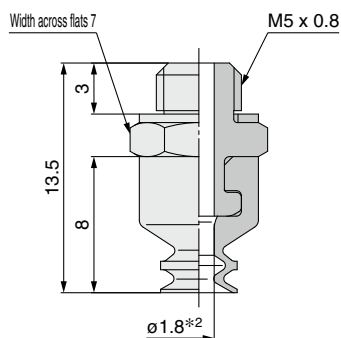
Model				A	B	C	Y	
① Pad dia.	Form	② Material ^{*1}						
ZP3	04	B	N		4	4.5	1.8	2.2
	06		S		6	7	2	3
	08		U F GN GS		8	9		

*1 N: NBR, S: Silicone rubber, U: Urethane rubber, F: FKM, GN: Conductive NBR, GS: Conductive silicone rubber

With adapter $\varnothing 4$ to $\varnothing 8$

ZP3 **T** **04** **B** **N** - **A5**

① ② ③ ④



Construction p. 160

Adapter Assembly p. 162

① Adapter material

Nil	Brass
S	Stainless steel (Stainless steel 304)

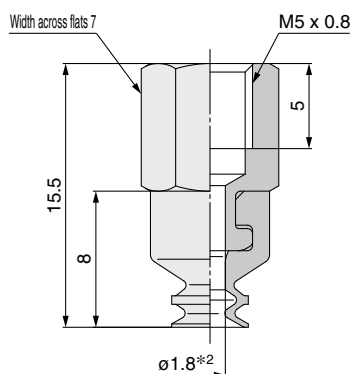
④ Connection thread (Male thread)

A5	M5 x 0.8
----	----------

Model						
ZP3	① Adapter material	Vacuum inlet direction	② Pad dia.	Form	③ Material ^{*1}	④ Connection thread
		Nil S	T	04 06 08	B	N S U F GN GS

*1 N: NBR, S: Silicone rubber, U: Urethane rubber, F: FKM, GN: Conductive NBR, GS: Conductive silicone rubber

*2 Indicates the minimum hole size of the adapter or vacuum pad



Construction p. 160

Adapter Assembly p. 162

ZP3 **T** **04** **B** **N** - **B5**

① ② ③ ④

① Adapter material

Nil	Brass
S	Stainless steel (Stainless steel 304)

④ Connection thread (Female thread)

B5	M5 x 0.8
----	----------

Model						
ZP3	① Adapter material	Vacuum inlet direction	② Pad dia.	Form	③ Material ^{*1}	④ Connection thread
		Nil S	T	04 06 08	B	N S U F GN GS

*1 N: NBR, S: Silicone rubber, U: Urethane rubber, F: FKM, GN: Conductive NBR, GS: Conductive silicone rubber

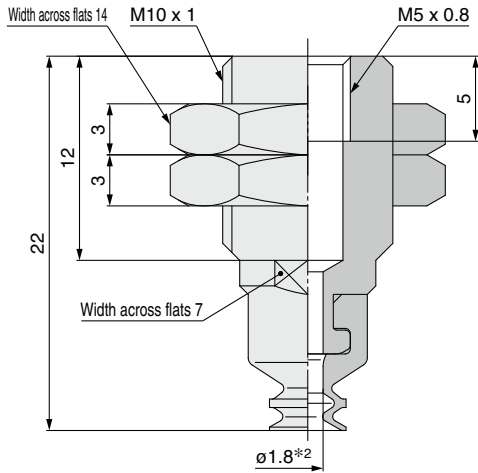
*2 Indicates the minimum hole size of the adapter or vacuum pad

Dimensions/Models

With adapter $\varnothing 4$ to $\varnothing 8$

ZP3 - T 04 B N - A10 - B5

1
 2
 3
 4
 5



1 Adapter material

Nil	Brass
S	Stainless steel (Stainless steel 304)

4 Connection thread (Female thread)

A10	M10 x 1
------------	---------

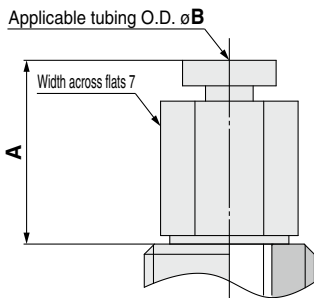
5 Vacuum inlet

B5	M5 x 0.8	Female thread
02 ^{*1}	$\varnothing 2$	One-touch fitting
04	$\varnothing 4$	Barb fitting
U2 ^{*1}	For $\varnothing 2$ polyurethane tubing	
U4 ^{*1}	For $\varnothing 4$ soft tubing	

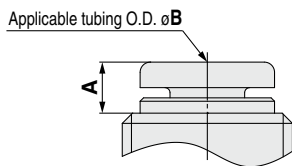
*1 Not compatible with stainless steel materials

	Model						
	1 Adapter material	Vacuum inlet direction	2 Pad dia.	Form	3 Material ^{*1}	4 Connection thread	5 Vacuum inlet
ZP3	Nil S	T	04 06 08	B	N S U F GN GS	A10	B5

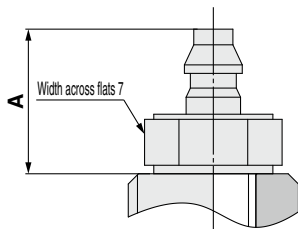
Vacuum inlet: One-touch fitting ($\varnothing 2$)



Vacuum inlet: Built-in One-touch fitting ($\varnothing 4$)



Vacuum inlet: Barb fitting



Dimensions Per Vacuum Inlet: One-touch Fitting

	Model						A	B	Fitting part min. hole size	Fitting part no.	
	1 Adapter material	Vacuum inlet direction	2 Pad dia.	Form	3 Material ^{*1}	4 Connection thread					5 Vacuum inlet
ZP3	Nil S	T	04 06 08	B	N S U F GN GS	A10	02 ^{*3}	10.8	2	$\varnothing 1.4$	KQ2H02-M5N
							04	3	4	$\varnothing 1.8$	

*3 Not compatible with stainless steel materials

Dimensions Per Vacuum Inlet: Barb Fitting

	Model						A	Fitting part min. hole size	Fitting part no.	
	1 Adapter material	Vacuum inlet direction	2 Pad dia.	Form	3 Material ^{*1}	4 Connection thread				5 Vacuum inlet
ZP3	Nil	T	04 06 08	B	N S U F GN GS	A10	U2	6.5	$\varnothing 0.9$	M-5AU-2
							U4	8.5	$\varnothing 1.8$	M-5AU-4

*1 N: NBR, S: Silicone rubber, U: Urethane rubber, F: FKM, GN: Conductive NBR, GS: Conductive silicone rubber

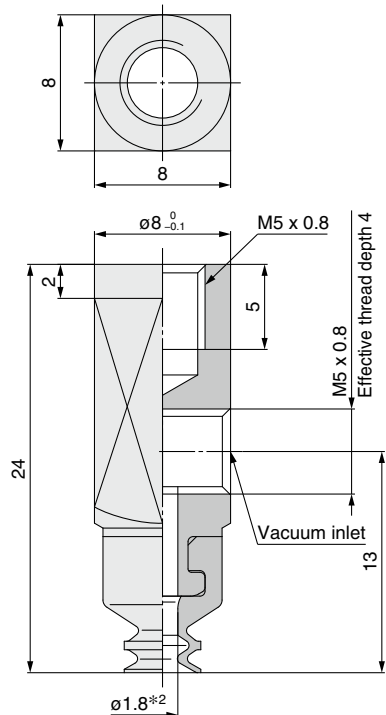
*2 Indicates the minimum hole size of the adapter or vacuum pad

Construction	p. 160
Adapter Assembly	p. 163

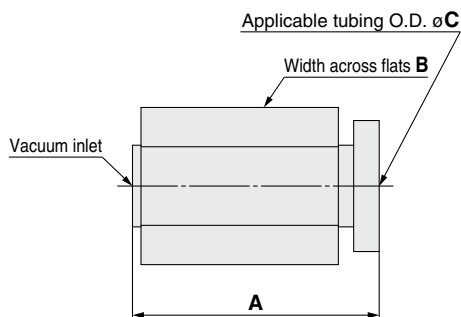
Dimensions/Models

With adapter $\varnothing 4$ to $\varnothing 8$

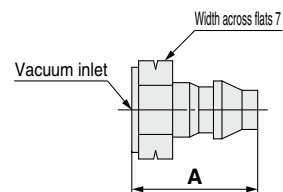
ZP3 - Y 04 B N - B5 - B5
① ② ③ ④ ⑤



Vacuum inlet: One-touch fitting



Vacuum inlet: Barb fitting



Construction	p. 160
Adapter Assembly	p. 162

④ Connection thread (Female thread)

B5	M5 x 0.8
-----------	----------

⑤ Vacuum inlet

B5	M5 x 0.8	Female thread
02	$\varnothing 2$	One-touch fitting*1
04	$\varnothing 4$	Barb fitting*1
U2	For $\varnothing 2$ polyurethane tubing	Barb fitting*1
U4	For $\varnothing 4$ soft tubing	Barb fitting*1

*1 Not compatible with stainless steel materials

	Model						
	① Adapter material	Vacuum inlet direction	② Pad dia.	Form	③ Material*1	④ Connection thread	⑤ Vacuum inlet
ZP3	Nil S	Y	04 06 08	B	N S U F GN GS	B5	B5

Dimensions Per Vacuum Inlet: One-touch Fitting

	Model						A	B	C	Fitting part min. hole size	Fitting part no.	
	① Adapter material	Vacuum inlet direction	② Pad dia.	Form	③ Material*1	④ Connection thread						⑤ Vacuum inlet
ZP3	Nil	Y	04 06 08	B	N S U F GN GS	B5	02	10.8	7	2	$\varnothing 1.4$	KQ2H02-M5N
							04	14.7	8	4	$\varnothing 2.5$	KQ2H04-M5N

Dimensions Per Vacuum Inlet: Barb Fitting

	Model						A	Fitting part min. hole size	Fitting part no.	
	① Adapter material	Vacuum inlet direction	② Pad dia.	Form	③ Material*1	④ Connection thread				⑤ Vacuum inlet
ZP3	Nil	Y	04 06 08	B	N S U F GN GS	B5	U2	6.5	$\varnothing 0.9$	M-5AU-2
							U4	8.5	$\varnothing 1.8$	M-5AU-4

*1 N: NBR, S: Silicone rubber, U: Urethane rubber, F: FKM, GN: Conductive NBR, GS: Conductive silicone rubber

*2 Indicates the minimum hole size of the adapter or vacuum pad

Dimensions/Models

With buffer $\varnothing 4$ to $\varnothing 8$

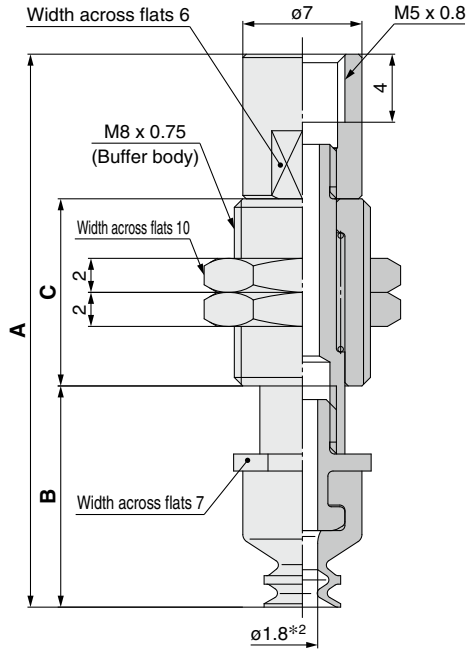
ZP3 - T 04 B N J 3 - B5

① ② ③ ④ ⑤ Vacuum inlet

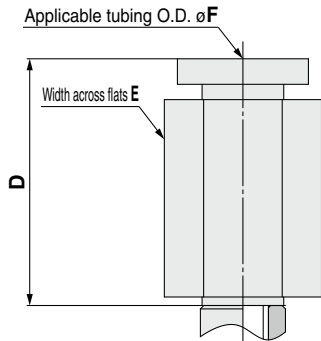
Buffer specification ③

J	Rotating
JB	Rotating, With bushing
K	Non-rotating

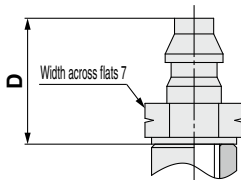
B5	M5 x 0.8	Female thread
02	$\varnothing 2$	One-touch fitting
04	$\varnothing 4$	Barb fitting
U2	For $\varnothing 2$ polyurethane tubing	
U4	For $\varnothing 4$ soft tubing	



Vacuum inlet: One-touch fitting



Vacuum inlet: Barb fitting



		Model					A	B	C	
Vacuum inlet direction	① Pad dia.	Form	② ^{*1} Material	③ Buffer spec.	④ Buffer stroke	⑤ Vacuum inlet				
ZP3	T	04 06 08	B	N S U F GN GS	J	3	B5	32.5	13	11
					K	6		39	16	14.5
						10		49	20	20.5
						15		57	38.5	
						20		64.5	46	10

Dimensions Per Vacuum Inlet: One-touch Fitting

		Model					D	E	F	Fitting part min. hole size	Fitting part no.
Vacuum inlet direction	① Pad dia.	Form	② ^{*1} Material	③ Buffer spec.	④ Buffer stroke	⑤ Vacuum inlet					
ZP3	T	04 06 08	B	N S U F GN GS	J	3	10.8	7	2	$\varnothing 1.4$	KQ2H02-M5N
					JB	6					
					K	10					
					15	14.7	8	4	$\varnothing 2.5$	KQ2H04-M5N	
				20							

Dimensions Per Vacuum Inlet: Barb Fitting

		Model					D	Fitting part min. hole size	Fitting part no.
Vacuum inlet direction	① Pad dia.	Form	② ^{*1} Material	③ Buffer spec.	④ Buffer stroke	⑤ Vacuum inlet			
ZP3	T	04 06 08	B	N S U F GN GS	J	3	6.5	$\varnothing 0.9$	M-5AU-2
						6			
						10			
						15			
					20	8.5	$\varnothing 1.8$	M-5AU-4	
				U2					
					U4				

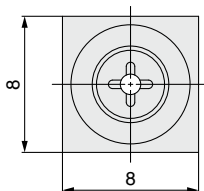
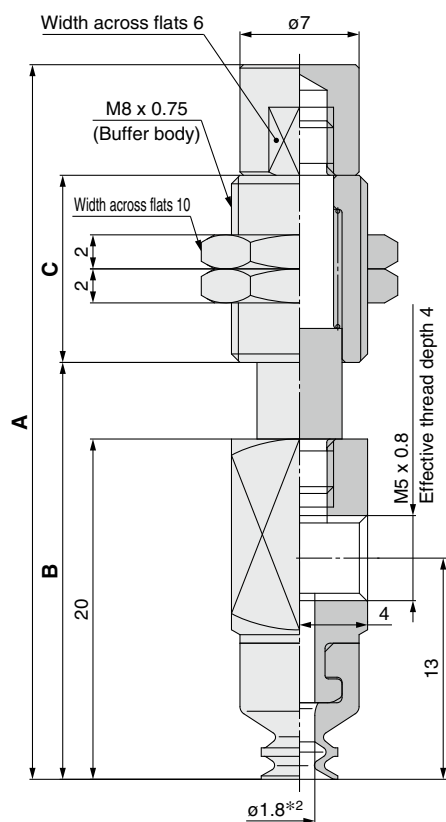
*1 N: NBR, S: Silicone rubber, U: Urethane rubber, F: FKM, GN: Conductive NBR, GS: Conductive silicone rubber

*2 Indicates the minimum hole size of the adapter or vacuum pad

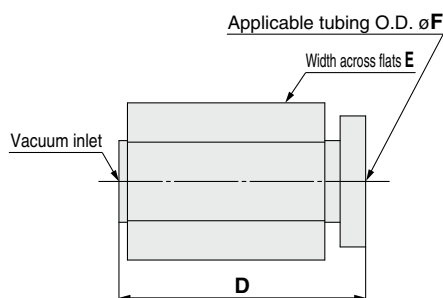
- Construction p. 161
- Buffer Assembly p. 164

Dimensions/Models

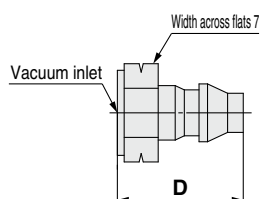
With buffer $\varnothing 4$ to $\varnothing 8$



Vacuum inlet: One-touch fitting



Vacuum inlet: Barb fitting



ZP3 - Y **04** **B** **N** **J** **3** - **B5**

1	2	3	4	5 Vacuum inlet
Buffer specification 3				
J	Rotating			
JB	Rotating, With bushing			
K	Non-rotating			
B5	M5 x 0.8	Female thread		
02	$\varnothing 2$	One-touch fitting		
04	$\varnothing 4$	Barb fitting		
U2	For $\varnothing 2$ polyurethane tubing			
U4	For $\varnothing 4$ soft tubing			

		Model					A	B	C	
Vacuum inlet direction	1 Pad dia.	Form	2 ^{*1} Material	3 Buffer spec.	4 Buffer stroke	5 Vacuum inlet				
ZP3	Y	04 06 08	B	N S U F GN GS	J K	3	B5	42	11	
						6		24.5	14.5	
						10		27	14.5	
					JB K	15		58	31	20.5
						20		61	44.5	10
								68.5	52	

Dimensions Per Vacuum Inlet: One-touch Fitting

		Model					D	E	F	Fitting part min. hole size	Fitting part no.		
Vacuum inlet direction	1 Pad dia.	Form	2 ^{*1} Material	3 Buffer spec.	4 Buffer stroke	5 Vacuum inlet							
ZP3	Y	04 06 08	B	N S U F GN GS	J K	3	02	10.8	7	2	$\varnothing 1.4$	KQ2H02-M5N	
						6							
					JB K	10		04	14.7	8	4	$\varnothing 2.5$	KQ2H04-M5N
						15							
20													

Dimensions Per Vacuum Inlet: Barb Fitting

		Model					D	Fitting part min. hole size	Fitting part no.		
Vacuum inlet direction	1 Pad dia.	Form	2 ^{*1} Material	3 Buffer spec.	4 Buffer stroke	5 Vacuum inlet					
ZP3	Y	04 06 08	B	N S U F GN GS	J K	3	U2	6.5	$\varnothing 0.9$	M-5AU-2	
						6					
					JB K	10		U4	8.5	$\varnothing 1.8$	M-5AU-4
						15					
20											

*1 N: NBR, S: Silicone rubber, U: Urethane rubber, F: FKM, GN: Conductive NBR, GS: Conductive silicone rubber

*2 Indicates the minimum hole size of the adapter or vacuum pad



Compact Type Bellows Type with Ribs

ZP3 Series

Pad diameter: $\varnothing 10$, $\varnothing 13$, $\varnothing 16$



Model Selection

ZP3 Compact

Flat Type

Flat Type with Groove

Bellows Type

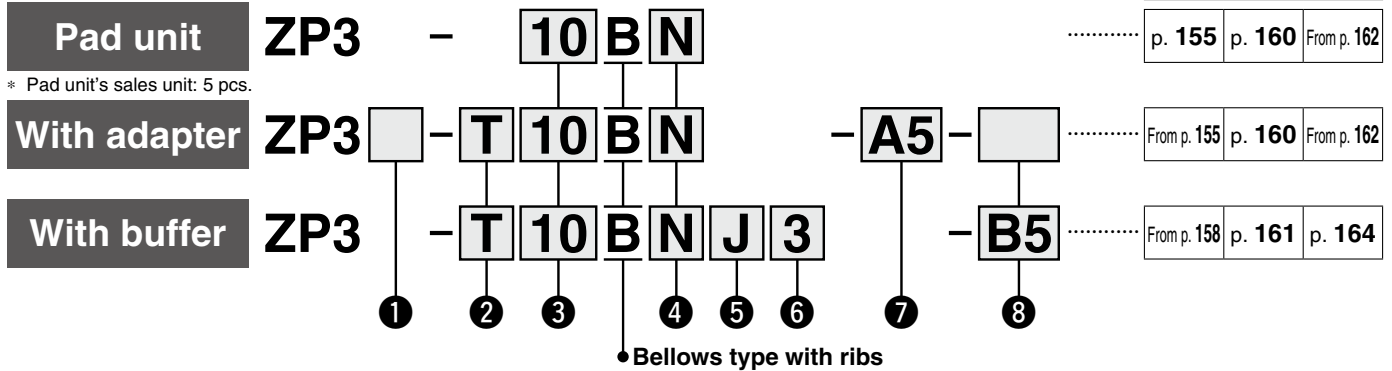
Bellows Type with Ribs

Construction

Mounting Bracket Assembly

Precautions

How to Order



① Adapter material

Nil	Brass
S*1	Stainless steel (Stainless steel 304)

*1 Only applicable to the pad with adapter

② Vacuum inlet direction

Nil	Pad unit
T	Vertical
Y	Lateral

③ Pad diameter

10	$\varnothing 10$
13	$\varnothing 13$
16	$\varnothing 16$

④ Material

N	NBR
S	Silicone rubber*1 *2
U	Urethane rubber
F	FKM
GN	Conductive NBR
GS	Conductive silicone rubber

*1 Compliant with the FDA (USA Food and Drug Administration) regulation 21CFR§177.2600 for "Rubber articles intended for repeated use"

*2 Compliant with the standards for "Rubber apparatus (excluding baby drinking apparatus) and containers/packaging" (D3) (Partial revision: Ministry of Health, Labour, and Welfare Notification No. 595, 2012) in Section 3 "Apparatus and Containers/Packaging" of the Food Sanitation Act, Article 18 "Specifications and Standards for Food and Food Additives, etc." (Ministry of Health and Welfare Notification No. 370, 1959)

⑤ Buffer specification

J	Rotating
JB	Rotating, With bushing
K	Non-rotating

⑥ Buffer stroke

Stroke [mm]	Buffer specification		
	J	JB	K
3	●	—	●
6	●	—	●
10	●	—	●
15	—	●	●
20	—	●	●

With adapter

⑦ Connection thread / ⑧ Vacuum inlet

○: ZP3□-T/Vertical ●: ZP3□-Y/Lateral

⑦ Connection thread			⑧ Vacuum inlet			Pad diameter All sizes
Type	Symbol	Size	Type	Symbol	Size	
Male thread	A5	M5 x 0.8	—	Nil	Use the connection thread.	○
			Female thread	B5	M5 x 0.8	○
			One-touch fitting	02*3	$\varnothing 2$	○
	04	$\varnothing 4$		○		
	06	$\varnothing 6$		○		
	Barb fitting*3	A12	M12 x 1	U2	For $\varnothing 2$ polyurethane tubing	○
U4				For $\varnothing 4$ soft tubing	○	
U6				For $\varnothing 6$ soft tubing	○	
Female thread	B5	M5 x 0.8	—	Nil	Use the connection thread.	○
			Female thread	B5	M5 x 0.8	●
			One-touch fitting*3	02	$\varnothing 2$	●
	04	$\varnothing 4$		●		
	06	$\varnothing 6$		●		
	Barb fitting*3	B5	M5 x 0.8	U2	For $\varnothing 2$ polyurethane tubing*1	●
U4				For $\varnothing 4$ soft tubing*2	●	
U6				For $\varnothing 6$ soft tubing*2	●	

*1 Polyurethane tube piping

*2 Soft nylon/Polyurethane tube piping

*3 Not compatible with stainless steel materials

With buffer

⑧ Vacuum inlet

○: ZP3-T/Vertical ●: ZP3-Y/Lateral

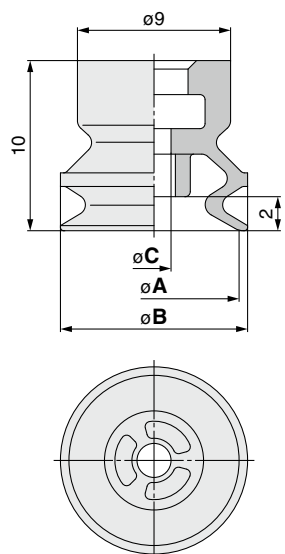
Type	Symbol	Size	Pad diameter All sizes
Female thread	B5	M5 x 0.8	○●
One-touch fitting	02	$\varnothing 2$	○●
	04	$\varnothing 4$	○●
	06	$\varnothing 6$	○●
Barb fitting	U2	For $\varnothing 2$ polyurethane tubing	○●
	U4	For $\varnothing 4$ soft tubing	○●
	U6	For $\varnothing 6$ soft tubing	○●

* It is not necessary to select a connection thread.

* The pad, mounting nut, and fitting are shipped together but do not come assembled.

Dimensions/Models

Single unit $\varnothing 10$ to $\varnothing 16$



ZP3 - **10** **B** **N**
 ① ②

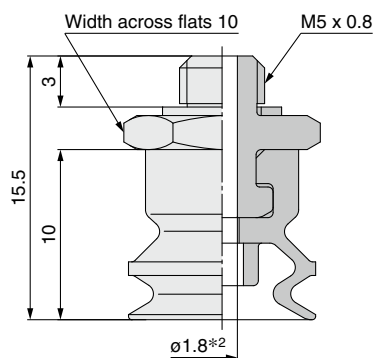
Model	① Pad dia.		② Form	③ Material	A	B	C
	10	13					
ZP3	10	B	N S U F GN GS	*1	10	11	2
	13				13	14	3
	16				16	17	

*1 N: NBR, S: Silicone rubber, U: Urethane rubber, F: FKM, GN: Conductive NBR, GS: Conductive silicone rubber

Construction p. 160

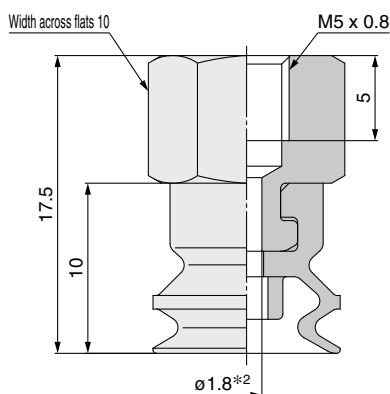
Mounting Bracket Assembly From p. 162

With adapter $\varnothing 10$ to $\varnothing 16$



Construction p. 160

Adapter Assembly p. 162



Construction p. 160

Adapter Assembly p. 162

ZP3 **T** **10** **B** **N** - **A5**
 ① ② ③ ④

① Adapter material

Nil	Brass
S	Stainless steel (Stainless steel 304)

④ Connection thread (Male thread)

A5	M5 x 0.8
----	----------

Model	① Adapter material		Vacuum inlet direction	② Pad dia.	Form	③ Material	④ Connection thread
	Nil	S					
ZP3	Nil	S	T	10 13 16	B	N S U F GN GS	A5

*1 N: NBR, S: Silicone rubber, U: Urethane rubber, F: FKM, GN: Conductive NBR, GS: Conductive silicone rubber

*2 Indicates the minimum hole size of the adapter or vacuum pad

ZP3 **T** **10** **B** **N** - **B5**
 ① ② ③ ④

① Adapter material

Nil	Brass
S	Stainless steel (Stainless steel 304)

④ Connection thread (Female thread)

B5	M5 x 0.8
----	----------

Model	① Adapter material		Vacuum inlet direction	② Pad dia.	Form	③ Material	④ Connection thread
	Nil	S					
ZP3	Nil	S	T	10 13 16	B	N S U F GN GS	B5

*1 N: NBR, S: Silicone rubber, U: Urethane rubber, F: FKM, GN: Conductive NBR, GS: Conductive silicone rubber

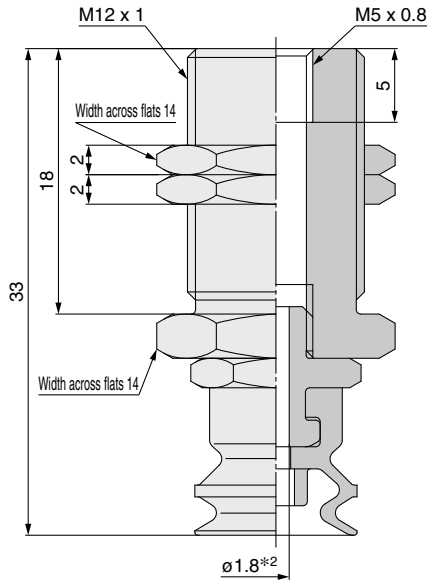
*2 Indicates the minimum hole size of the adapter or vacuum pad

Dimensions/Models

With adapter $\varnothing 10$ to $\varnothing 16$

ZP3 - T 10 B N - A12 - B5

1
 2
 3
 4
 5



1 Adapter material

Nil	Brass
S	Stainless steel (Stainless steel 304)

4 Connection thread (Male thread)

A12	M12 x 1
-----	---------

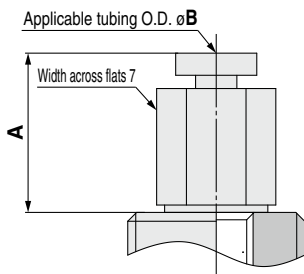
5 Vacuum inlet

B5	M5 x 0.8	Female thread
02*1	$\varnothing 2$	One-touch fitting
04	$\varnothing 4$	
06	$\varnothing 6$	
U2*1	For $\varnothing 2$ polyurethane tubing	Barb fitting
U4*1	For $\varnothing 4$ soft tubing	
U6*1	For $\varnothing 6$ soft tubing	

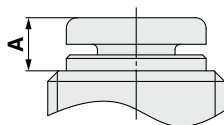
*1 Not compatible with stainless steel materials

Model						
	1 Adapter material	2 Vacuum inlet direction	3 Pad dia.	4 Form	5 Material*1	6 Connection thread
ZP3	Nil S	T	10 13 16	B	N S U F GN GS	A12 B5

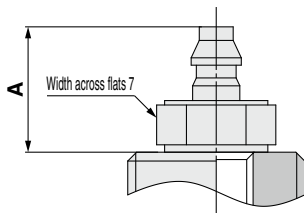
Vacuum inlet: One-touch fitting ($\varnothing 2$)



Vacuum inlet: Built-in One-touch fitting ($\varnothing 4, \varnothing 6$)



Vacuum inlet: Barb fitting



Dimensions Per Vacuum Inlet: One-touch Fitting

Model							A	B	Fitting part min. hole size	Fitting part no.	
1 Adapter material	2 Vacuum inlet direction	3 Pad dia.	4 Form	5 Material*1	6 Connection thread						
ZP3	Nil S	T	10 13 16	B	N S U F GN GS	A12	02*3	10.8	2	$\varnothing 1.4$	KQ2H02-M5N
							04	3	4	$\varnothing 1.8$	
							06	3.2	6		

*3 Not compatible with stainless steel materials

Dimensions Per Vacuum Inlet: Barb Fitting

Model							A	Fitting part min. hole size	Fitting part no.	
1 Adapter material	2 Vacuum inlet direction	3 Pad dia.	4 Form	5 Material*1	6 Connection thread					
ZP3	Nil	T	10 13 16	B	N S U F GN GS	A12	U2	6.5	$\varnothing 0.9$	M-5AU-2
							U4	8.5	$\varnothing 1.8$	M-5AU-4
							U6	10.5	$\varnothing 2.5$	M-5AU-6

*1 N: NBR, S: Silicone rubber, U: Urethane rubber, F: FKM, GN: Conductive NBR, GS: Conductive silicone rubber

*2 Indicates the minimum hole size of the adapter or vacuum pad

Construction p. 160

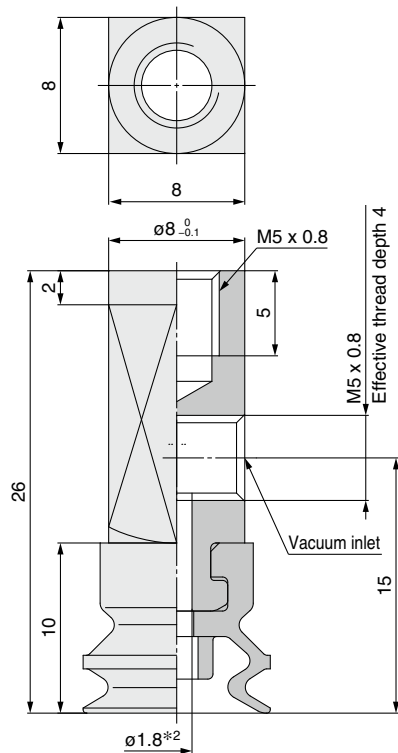
Adapter Assembly p. 163

Dimensions/Models

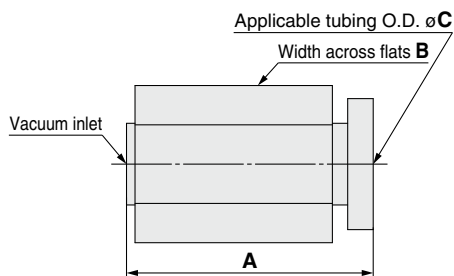
With adapter $\varnothing 10$ to $\varnothing 16$

ZP3 - Y 10 B N - B5 - B5

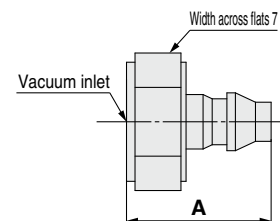
1
 2
 3
 4
 5



Vacuum inlet: One-touch fitting



Vacuum inlet: Barb fitting



Construction p. 160

Adapter Assembly p. 162

1 Adapter material

Nil	Brass
S	Stainless steel (Stainless steel 304)

4 Connection thread (Female thread)

B5	M5 x 0.8
----	----------

5 Vacuum inlet

B5	M5 x 0.8	Female thread
02	$\varnothing 2$	One-touch fitting*1
04	$\varnothing 4$	
06	$\varnothing 6$	
U2	For $\varnothing 2$ polyurethane tubing	Barb fitting*1
U4	For $\varnothing 4$ soft tubing	
U6	For $\varnothing 6$ soft tubing	

*1 Not compatible with stainless steel materials

Model							
	1 Adapter material	Vacuum inlet direction	2 Pad dia.	Form	3 Material*1	4 Connection thread	5 Vacuum inlet
ZP3	Nil S	Y	10 13 16	B	N S U F GN GS	B5	B5

Dimensions Per Vacuum Inlet: One-touch Fitting

Model							A	B	C	Fitting part min. hole size	Fitting part no.	
	1 Adapter material	Vacuum inlet direction	2 Pad dia.	Form	3 Material*1	4 Connection thread	5 Vacuum inlet					
ZP3	Nil	Y	10 13 16	B	N S U F GN GS	B5	02	10.8	7	2	$\varnothing 1.4$	KQ2H02-M5N
							04	14.7	8	4	$\varnothing 2.5$	KQ2H04-M5N
							06		10	6		KQ2H06-M5N

Dimensions Per Vacuum Inlet: Barb Fitting

Model							A	Fitting part min. hole size	Fitting part no.	
	1 Adapter material	Vacuum inlet direction	2 Pad dia.	Form	3 Material*1	4 Connection thread	5 Vacuum inlet			
ZP3	Nil	Y	10 13 16	B	N S U F GN GS	B5	U2	6.5	$\varnothing 0.9$	M-5AU-2
							U4	8.5	$\varnothing 1.8$	M-5AU-4
							U6	10.5	$\varnothing 2.5$	M-5AU-6

*1 N: NBR, S: Silicone rubber, U: Urethane rubber, F: FKM, GN: Conductive NBR, GS: Conductive silicone rubber

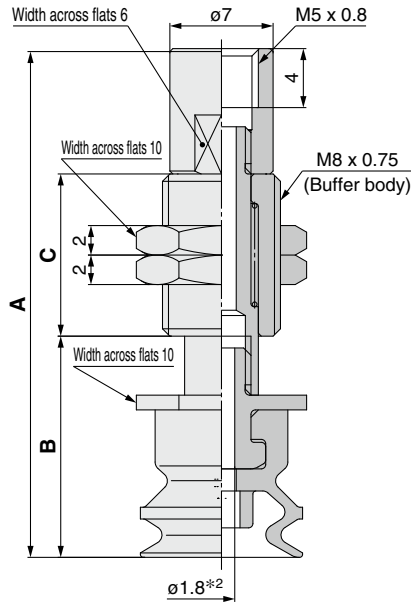
*2 Indicates the minimum hole size of the adapter or vacuum pad

Dimensions/Models

With buffer $\varnothing 10$ to $\varnothing 16$

ZP3 - T 10 B N J 3 - B5

① ② ③ ④ ⑤



Buffer specification ③

J	Rotating
JB	Rotating, With bushing
K	Non-rotating

⑤ Vacuum inlet

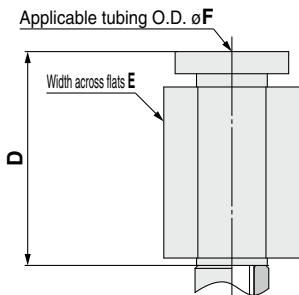
B5	M5 x 0.8	Female thread
02	$\varnothing 2$	One-touch fitting
04	$\varnothing 4$	
06	$\varnothing 6$	
U2	For $\varnothing 2$ polyurethane tubing	Barb fitting
U4	For $\varnothing 4$ soft tubing	
U6	For $\varnothing 6$ soft tubing	

		Model					A	B	C	
	Vacuum inlet direction	① Pad dia.	Form	② ^{*1} Material	③ Buffer spec.	④ Buffer stroke				⑤ Vacuum inlet
ZP3	T	10 13 16	B	N S U F GN GS	J K JB K	3	B5	34.5	15	11
						6		41	18	14.5
						10		51	22	20.5
						15		59	40.5	
						20		66.5	48	10

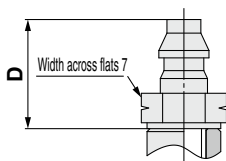
Dimensions Per Vacuum Inlet: One-touch Fitting

		Model					D	E	F	Fitting part min. hole size	Fitting part no.	
	Vacuum inlet direction	① Pad dia.	Form	② ^{*1} Material	③ Buffer spec.	④ Buffer stroke						⑤ Vacuum inlet
ZP3	T	10 13 16	B	N S U F GN GS	J JB K	3	02 04 06	10.8	7	2	$\varnothing 1.4$	KQ2H02-M5N
						6		14.7	8	4	$\varnothing 2.5$	KQ2H04-M5N
						10			10	6	KQ2H06-M5N	
						15						
						20						

Vacuum inlet: One-touch fitting



Vacuum inlet: Barb fitting



Dimensions Per Vacuum Inlet: Barb Fitting

		Model					D	Fitting part min. hole size	Fitting part no.	
	Vacuum inlet direction	① Pad dia.	Form	② ^{*1} Material	③ Buffer spec.	④ Buffer stroke				⑤ Vacuum inlet
ZP3	T	10 13 16	B	N S U F GN GS	J JB K	3	U2 U4 U6	6.5	$\varnothing 0.9$	M-5AU-2
						6		8.5	$\varnothing 1.8$	M-5AU-4
						10		10.5	$\varnothing 2.5$	M-5AU-6
						15				
						20				

*1 N: NBR, S: Silicone rubber, U: Urethane rubber, F: FKM, GN: Conductive NBR, GS: Conductive silicone rubber

*2 Indicates the minimum hole size of the adapter or vacuum pad

Construction	p. 161
Buffer Assembly	p. 164

Dimensions/Models

With buffer $\varnothing 10$ to $\varnothing 16$

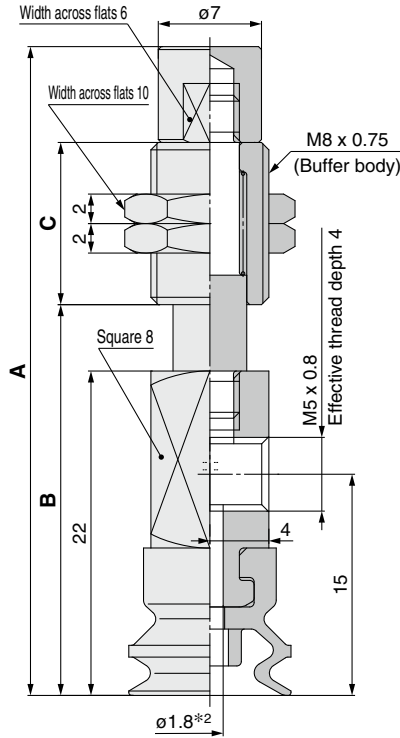
ZP3 - Y 10 B N J 3 - B5

① ② ③ ④ ⑤ Vacuum inlet

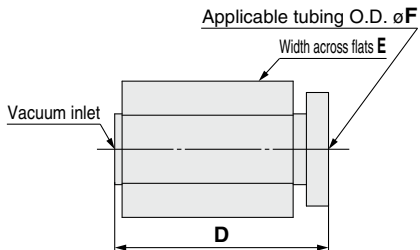
Buffer specification ③

J	Rotating
JB	Rotating, With bushing
K	Non-rotating

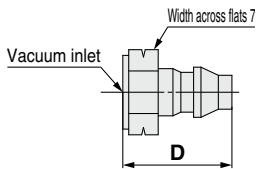
B5	M5 x 0.8	Female thread
02	$\varnothing 2$	One-touch fitting
04	$\varnothing 4$	
06	$\varnothing 6$	
U2	For $\varnothing 2$ polyurethane tubing	Barb fitting
U4	For $\varnothing 4$ soft tubing	
U6	For $\varnothing 6$ soft tubing	



Vacuum inlet: One-touch fitting



Vacuum inlet: Barb fitting



		Model					A	B	C	
Vacuum inlet direction	① Pad dia.	Form	② ^{*1} Material	③ Buffer spec.	④ Buffer stroke	⑤ Vacuum inlet				
ZP3	Y	10 13 16	B	N S U F GN GS	J K JB K	3	B5	44	26.5	11
						6		50	29	14.5
						10		60	33	20.5
						15		63	46.5	
						20		70.5	54	10

Dimensions Per Vacuum Inlet: One-touch Fitting

		Model					D	E	F	Fitting part min. hole size	Fitting part no.				
Vacuum inlet direction	① Pad dia.	Form	② ^{*1} Material	③ Buffer spec.	④ Buffer stroke	⑤ Vacuum inlet									
ZP3	Y	10 13 16	B	N S U F GN GS	J K JB K	3	14.7	10.8	7	2	$\varnothing 1.4$	KQ2H02-M5N			
						6						8	4	KQ2H04-M5N	
						10						10	6	$\varnothing 2.5$	KQ2H06-M5N
						15									
20															

Dimensions Per Vacuum Inlet: Barb Fitting

		Model					D	Fitting part min. hole size	Fitting part no.				
Vacuum inlet direction	① Pad dia.	Form	② ^{*1} Material	③ Buffer spec.	④ Buffer stroke	⑤ Vacuum inlet							
ZP3	Y	10 13 16	B	N S U F GN GS	J K JB K	3	10.5	6.5	$\varnothing 0.9$	M-5AU-2			
						6					8.5	$\varnothing 1.8$	M-5AU-4
						10 15 20					10.5	$\varnothing 2.5$	M-5AU-6

*1 N: NBR, S: Silicone rubber, U: Urethane rubber, F: FKM, GN: Conductive NBR, GS: Conductive silicone rubber

*2 Indicates the minimum hole size of the adapter or vacuum pad

Construction	p. 161
Buffer Assembly	p. 164

Compact Type **ZP3 Series** Construction

With adapter

Flat type: $\varnothing 1.5$ to $\varnothing 3.5$

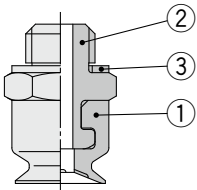
Flat type with groove: $\varnothing 4$ to $\varnothing 16$

Bellows type: $\varnothing 4$ to $\varnothing 8$

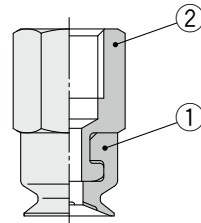
Bellows type with ribs: $\varnothing 10$ to $\varnothing 16$

Vacuum inlet direction **Vertical** T Type/ZP3□-T

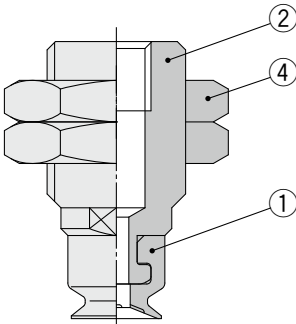
ZP3□-T□-A□



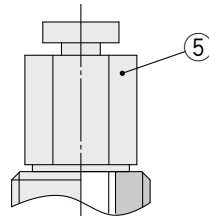
ZP3□-T□-B□



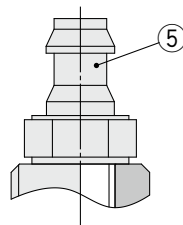
ZP3□-T□-A□-B□



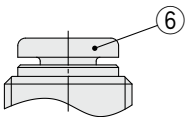
ZP3-T□-A□-(02/04)



ZP3-T□-A□-(U2/U4/U6)



ZP3□-T□-A10-04
ZP3□-T□-A12-(04/06)

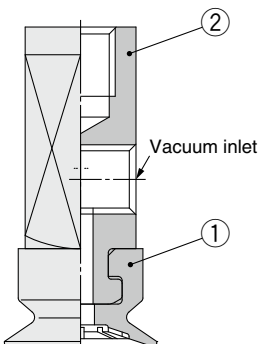


Component Parts

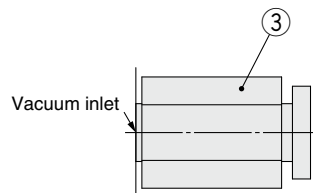
No.	Description	Material	Note
1	Pad	NBR, Silicone rubber, Urethane rubber, FKM, Conductive NBR, Conductive silicone rubber	Flat type Flat type with groove Bellows type Bellows type with ribs
		Semiconductive silicone rubber	Flat type with groove
2	Adapter	Brass (Electroless nickel plating)	ZP3-T□
		Stainless steel	ZP3S-T□
3	Gasket	Stainless steel/NBR	ZP3-T□
		Stainless steel/FKM	ZP3S-T□
4	Nut	Structural steel (Trivalent chromated)	M6 x 0.75 M12 x 1 ZP3-T□
		Steel (Trivalent zinc chromated)	M10 x 1
		Stainless steel	ZP3S-T□
5	Fitting	—	
6	Cassette	—	

Vacuum inlet direction **Lateral** Y Type/ZP3-Y

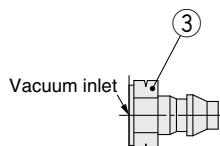
ZP3□-Y□-B□-B□



ZP3-Y□-B□-(02/04/06)



ZP3-Y□-B□-(U2/U4/U6)



Component Parts

No.	Description	Material	Note
1	Pad	NBR, Silicone rubber, Urethane rubber, FKM, Conductive NBR, Conductive silicone rubber	Flat type Flat type with groove Bellows type Bellows type with ribs
		Semiconductive silicone rubber	Flat type with groove
2	Adapter	Brass (Electroless nickel plating)	ZP3-Y□
		Stainless steel	ZP3S-Y□
3	Fitting	—	

With buffer

Flat type: $\varnothing 1.5$ to $\varnothing 3.5$

Flat type with groove: $\varnothing 4$ to $\varnothing 16$

Bellows type: $\varnothing 4$ to $\varnothing 8$

Bellows type with ribs: $\varnothing 10$ to $\varnothing 16$

Vacuum inlet direction **Vertical** T Type/ZP3-T

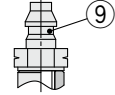
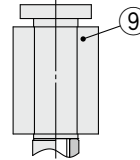
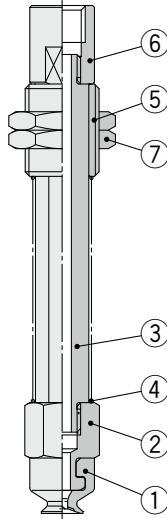
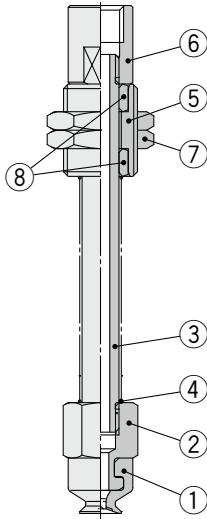
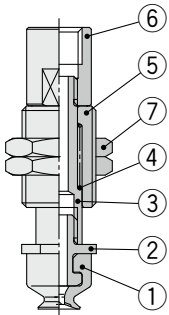
ZP3-T□(J/K)□-B□

ZP3-T□JB□-B□

ZP3-T□K(15/20)□-B□

ZP3-T□-(02/04/06)

ZP3-T□-(U2/U4/U6)



Component Parts

No.	Description	Material	Note
1	Pad	NBR, Silicone rubber, Urethane rubber, FKM, Conductive NBR, Conductive silicone rubber	Flat type Flat type with groove Bellows type Bellows type with ribs
		Semiconductive silicone rubber	Flat type with groove
2	Adapter	Brass (Electroless nickel plating)	
3	Piston rod	Stainless steel	
4	Return spring	Stainless steel	
5	Buffer body	Brass (Electroless nickel plating)	
6	Buffer adapter	Brass (Electroless nickel plating)	
7	Nut	Structural steel (Trivalent chromated)	M6 x 0.75 M8 x 0.75
8	Bushing	—	
9	Fitting	—	

Vacuum inlet direction **Lateral** Y Type/ZP3-Y

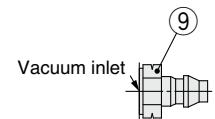
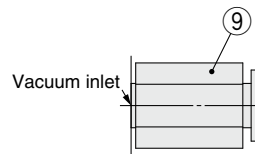
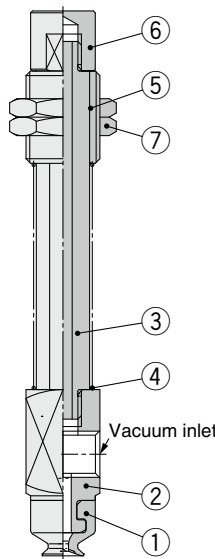
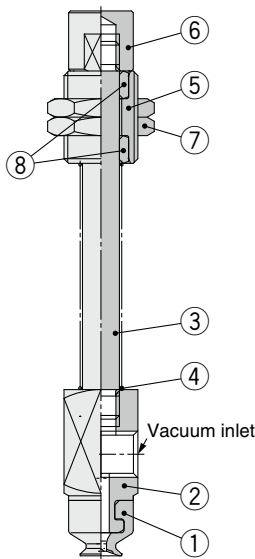
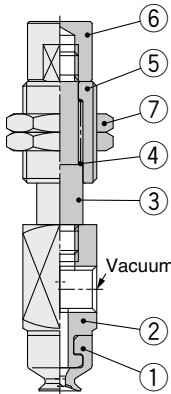
ZP3-Y□(J/K)□-B□

ZP3-Y□JP□-B□

ZP3-Y□K(15/20)□-B□

ZP3-Y□-(02/04/06)

ZP3-Y□-(U2/U4/U6)



Component Parts

No.	Description	Material	Note
1	Pad	NBR, Silicone rubber, Urethane rubber, FKM, Conductive NBR, Conductive silicone rubber	Flat type Flat type with groove Bellows type Bellows type with ribs
		Semiconductive silicone rubber	Flat type with groove
2	Adapter	Brass (Electroless nickel plating)	
3	Piston rod	Stainless steel	
4	Return spring	Stainless steel	
5	Buffer body	Brass (Electroless nickel plating)	
6	Buffer adapter	Brass (Electroless nickel plating)	
7	Nut	Structural steel (Trivalent chromated)	M6 x 0.75 M8 x 0.75
8	Bushing	—	
9	Fitting	—	



Basic/Compact Type Specific Product Precautions

Be sure to read this before handling the products. Refer to page 375 for safety instructions. For vacuum equipment and vacuum pad precautions, refer to pages 376 to 379.

Mounting

1. Tighten the screw within the specified torque range when mounting the buffer.

Tightening with a torque outside of the specified range may cause malfunction.

Basic Type ZP Series

Model	Connection thread	Tightening torque [N·m]
ZP□(2 to 8)□(J/K)□-□-A8	M8 x 1	1.5 to 2.0
ZP□(10 to 32)□(J/K)□-□-A10	M10 x 1	2.5 to 3.5
ZP□(40/50)□(J/K)□-□-A14	M14 x 1	6.5 to 7.5

Compact Type ZP3 Series

Model	Connection thread	Tightening torque [N·m]
ZP3□-□(015 to 035)□J□-□	M6 x 0.75	1.5 to 1.8
ZP3□-□(015 to 035)□K□-□	M8 x 0.75	2.0 to 2.5
ZP3□-□(04 to 16)□(J/JB/K)□-□		

2. Tighten the vacuum inlet male thread adapter (with a gasket seal) within the specified torque range.

Basic Type ZP Series

Model	Connection thread	Tightening torque [N·m]
ZPT□□-A5	M5 x 0.8	1.3 to 1.7
ZPT□□-A6	M6 x 1	1.6 to 2.0

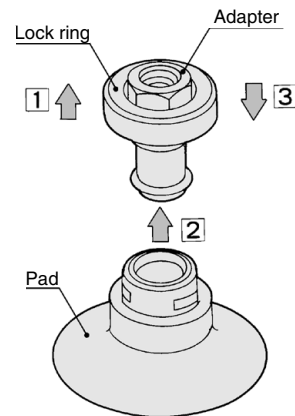
Compact Type ZP3 Series

Model	Connection thread	Tightening torque [N·m]
ZP3□-T(015 to 035)U□-A3	M3 x 0.5	0.2 to 0.25
ZP3□-T(04 to 16)□□-A5	M5 x 0.8	1.3 to 1.7

How to Replace the Pad

1. How to replace the pad of the basic type ZP series

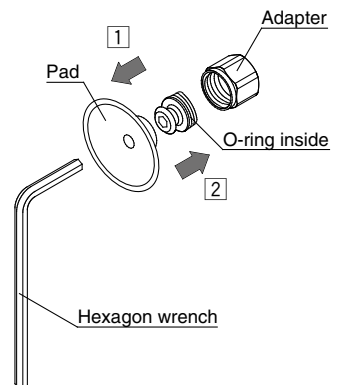
- 1 Pull the lock ring upward, and, after lifting it up to the adapter, remove the old pad by pulling it downward.
- 2 While holding the lock ring in the raised position, place a new pad onto the adapter.
- 3 Confirm that the pad is securely in place, and then return the lock ring to its original position.



2. How to replace the pad of the basic (ball joint) type ZP series

Pad diameter: $\varnothing 10$ to $\varnothing 32$

- 1 Insert a hexagon wrench into the bottom of the pad, loosen the screw, and remove the old pad from the adapter.
- 2 Place a new pad on the adapter, and, after confirming that the O-ring is in place, retighten the screw with the hexagon wrench.



Pad diameter: $\varnothing 40$, $\varnothing 50$

- 1 Pull the lock ring upward, and, after lifting it up to the adapter, remove the old pad by pulling it downward.
- 2 While holding the lock ring in the raised position, place a new pad onto the adapter.
- 3 Confirm that the pad is securely in place, and then return the lock ring to its original position.

