

Electric Actuators



* For details, refer to page 307 and onward.

Rod Type

Guide Rod Type

NEW

- The LEY100 series (750 W specification, AC servo motor) has been added.
- The LECSN-T series (Network card type) has been added.
- The dust-tight/water-jet-proof LEY-X7 series has been added.

RoHS

Step Motor (Servo/24 VDC)

Servo Motor (24 VDC)

Rod Type LEY Series

Size: 16, 25, 32, 40 ▶ p. 35

Long stroke:

Max. 500 mm (LEY32, 40)

Mounting variations

- Direct mounting: 3 directions, Bracket mounting: 3 types
 - Either positioning or pushing control can be selected.
- It is possible to hold the actuator with the rod pushing a workpiece, etc.

Dust-tight/Water-jet-proof (IP65 Equivalent/IP67 Equivalent): -X7 ▶ p. 155

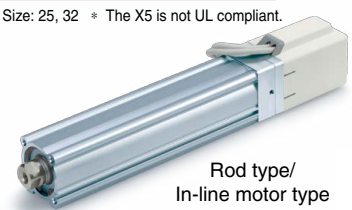
* Size: 25, 32 * The X7 is not UL compliant.

Dust-tight/Water-jet-proof (IP65 Equivalent): -X5 ▶ p. 160

* Size: 25, 32 * The X5 is not UL compliant.



Auto switch mountable Rod type



Rod type/
In-line motor type

Guide Rod Type LEYG Series

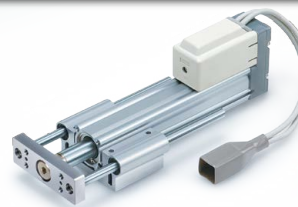
Size: 16, 25, 32, 40 ▶ p. 109

Lateral end load: **5 times more***1

*1 Compared with the rod type, size 25, and 100 mm stroke

Compatible with sliding bearings and ball bushing bearings
Compatible with moment loads and stoppers (sliding bearings)

- Either positioning or pushing control can be selected.
- It is possible to hold the actuator with the rod pushing a workpiece, etc.



Guide rod type



Guide rod type/
In-line motor type

AC Servo Motor

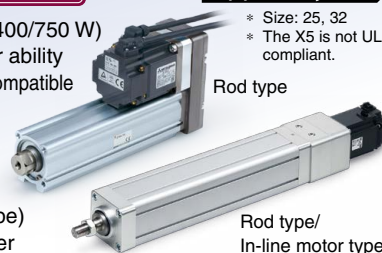
Rod Type LEY Series

Size: 25, 32, 63, 100

Dust-tight/Water-jet-proof (IP65 Equivalent): -X5

▶ p. 41, 49

- High-output motor (100/200/400/750 W)
- Improved high-speed transfer ability
- High acceleration/deceleration compatible (5000 mm/s²)
- Pulse input/CC-Link/SSCNET III types
- EtherCAT®/EtherNet/IP™/PROFINET (Network card type)
- With internal absolute encoder (For the LECSB/C/S)



Rod type/
In-line motor type
New Size 100 has been added.

* Size: 25, 32
* The X5 is not UL compliant.

Guide Rod Type LEYG Series

Size: 25, 32

▶ p. 115, 120

Guide rod type



Guide rod type/
In-line motor type

Step Motor (Servo/24 VDC)

Servo Motor (24 VDC)

Controllers/
Drivers

▶ p. 210



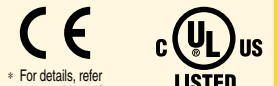
* For details, refer to page 307 and onward.

- ▶ Step data input type
JXC51/61, LECA6 Series (64 positioning points)
- ▶ EtherCAT®/EtherNet/IP™/
PROFINET/DeviceNet™/IO-Link/
CC-Link direct input type
JXCE1/91/P1/D1/L1/M1 Series
- ▶ Programless type
LECP1 Series (14 positioning points)
- ▶ Pulse input type
LECPA Series



The LECSB-S, LECSC-S, and LECSS-S electric actuator drivers are to be discontinued. Please select one of the substitute drivers ending with a "-T" instead: the LECSB-T, LECSC-T, and LECSS-T.

AC Servo Motor Drivers ▶ p. 264



* For details, refer to page 307 and onward.

LISTED
Only the LECSA and LECSS-T are compliant.
The LECSN-T is only compliant if the "Without network card" option is selected.

▶ For Absolute Encoders

- Pulse input type
LECSB(-T) Series
- CC-Link direct input type
LECS(-T) Series
- Network card type
LECSN-T Series
- SSCNET III type
LECSS Series
- SSCNET III/H type
LECSN-T Series
- MECHATROLINK type
LECY□ Series



▶ For Incremental Encoders

- Pulse input type/
Positioning type
LECSA Series



LEY Series



CAT.ES100-83F

Step Motor (Servo/24 VDC)

Servo Motor (24 VDC)

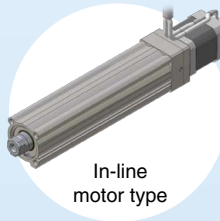
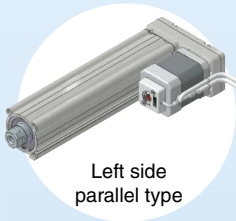
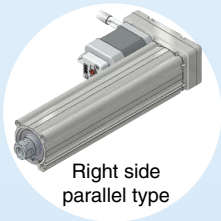
Rod Type **LEY Series**/Size: 16, 25, 32, 40 **p. 35**

Control of intermediate positioning and pushing is possible.

High precision with ball screws

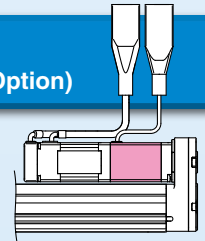
(Positioning repeatability: ± 0.02 mm)

Selectable motor mounting position



Non-magnetizing lock mechanism (Option)

Prevents workpieces from dropping (Holding)



Motor cover available (Option)



* The cover has an opening.

Select from 2 types of actuator cables.

- Standard cable
- Robotic cable (Flexible cable)

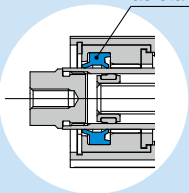
Manual override screw

For manual piston rod operation
Adjustment operation is possible when the power is OFF.

Scraper

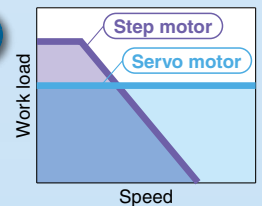
Prevents foreign matter from entering the device

Equipped with scrapers as standard



Select from 2 types of motors.

- **Step motor (Servo/24 VDC)**
Ideal for the low-speed transfer of heavy loads and pushing operations
- **Servo motor (24 VDC)**
Stable at high speeds
Silent operation



Mounting groove for auto switches

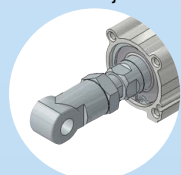
For checking the limit and the intermediate signal
Applicable to the D-M9□, D-M9□E, and D-M9□W (2-color indicator)

* The auto switches should be ordered separately. Refer to pages 105 to 107 for details.

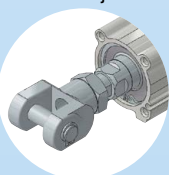
pp. 101, 102

Rod end brackets

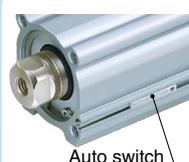
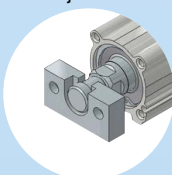
Single knuckle joint



Double knuckle joint



Simple joint



2-color indicator solid state auto switch

Accurate setting of the mounting position can be performed without mistakes.

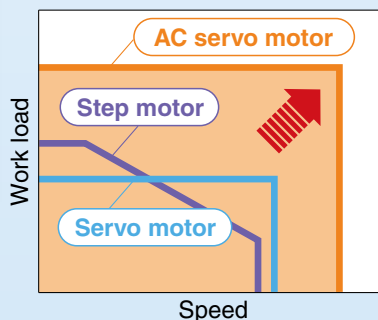
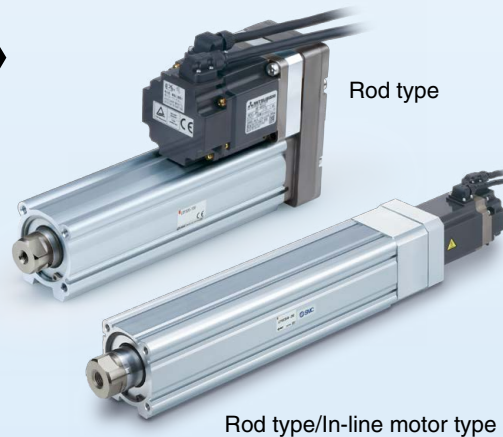
A **green** light lights up when within the optimum operating range.



AC Servo Motor

Rod Type **LEY Series**/Size: 25, 32, 63, 100 pp. 41, 49

- High-output motor (100/200/400/750 W)
- Improved high-speed transfer ability
- High acceleration/deceleration compatible (5000 mm/s²)
- Pulse input/CC-Link direct input/SSCNET III types/ Network card type
- With internal absolute encoder
 - * An incremental encoder can also be selected.
- Positioning repeatability: ±0.01 mm (High-precision type)



Large bore size: **63, 100**

- High-output motor: **400 w** (Size 63)/**750 w** (Size 100)
- Max. work load [kg]

Mounting position	Size 63		Size 100
	Parallel	In-line	In-line
Horizontal	200	80	1200
Vertical	115	72	200

- Max. force [N]

Motor mounting position	Size 63		Size 100
	Parallel	In-line	In-line
Parallel	3343	—	—
In-line	1910	—	12000

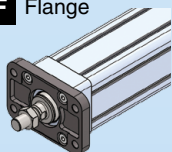
- Max. speed*¹

Size	Speed [mm/s]
63	1000* ¹
100	500* ¹

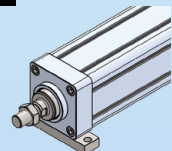
*¹ 500 mm stroke or less

- The flange mounting pitch is based on ISO 15552. (Size 100)
- The ISO cylinder (C96 ø80) and flange mounting bracket are now standardized. (Size 100)

F Flange

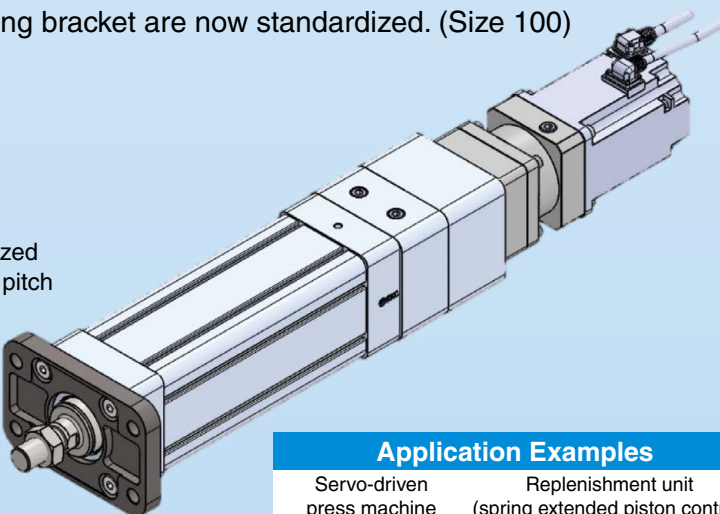


L Foot bracket



Standardized mounting pitch

Same standardized rod end as the ISO cylinder

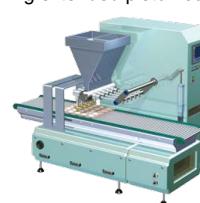


Application Examples

Servo-driven press machine



Replenishment unit (spring extended piston control)



Rod clevis



Ball joint



Floating joint

Rod Type LEY Series/Guide Rod Type LEYG Series

Step Motor (Servo/24 VDC)

Servo Motor (24 VDC)

Guide Rod Type LEYG Series/Size: 16, 25, 32, 40 p. 109

Compact, integrated guide rods Lateral load resistance and high non-rotating accuracy

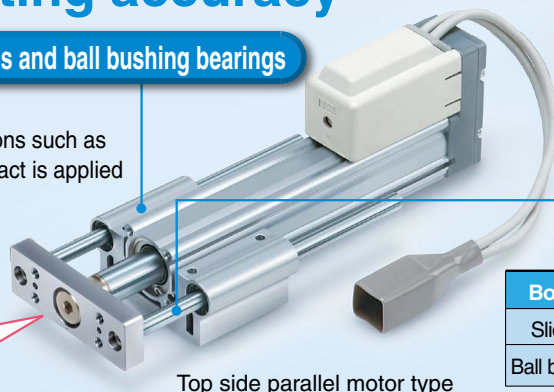
Compatible with sliding bearings and ball bushing bearings

- **Sliding bearings**
Suitable for lateral load applications such as when using a stopper where impact is applied
- **Ball bushing bearings**
Smooth operation suitable for pushers and lifters

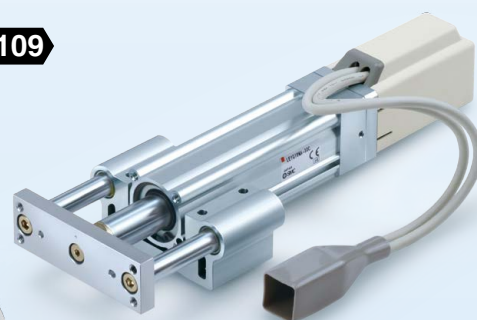
Improved rigidity

Lateral end load: **5 times more***1

*1 Compared with the rod type, size 25, and 100 mm stroke



Top side parallel motor type



In-line motor type

Non-rotating accuracy improved by using two guide rods

Bore size [mm]	16	25	32	40
Sliding bearings	±0.06°		±0.05°	
Ball bushing bearings	±0.05°		±0.04°	

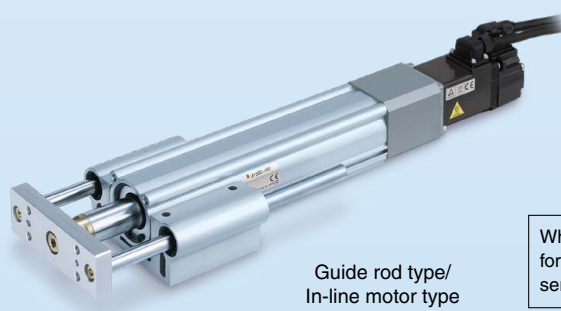
When the cylinder is retracted (initial value), the non-rotating accuracy without a load and without deflection of the guide rods will be below the values shown in the table above.

AC Servo Motor

Guide Rod Type LEYG Series/Size: 25, 32 pp. 115, 120



Guide rod type

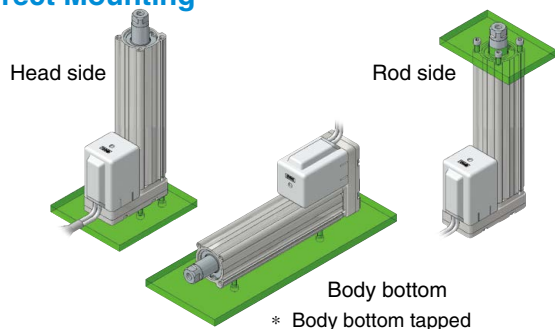


Guide rod type/
In-line motor type

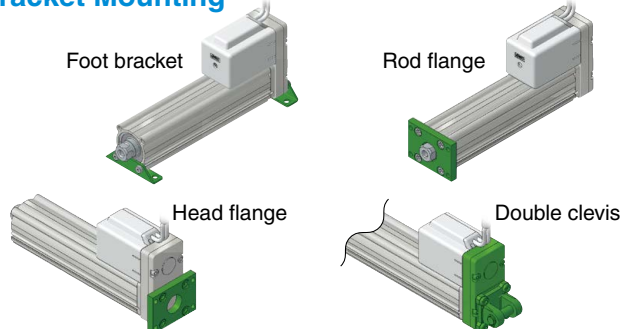
When using auto switches for the guide rod type LEYG series, refer to page 206.

Mounting Variations

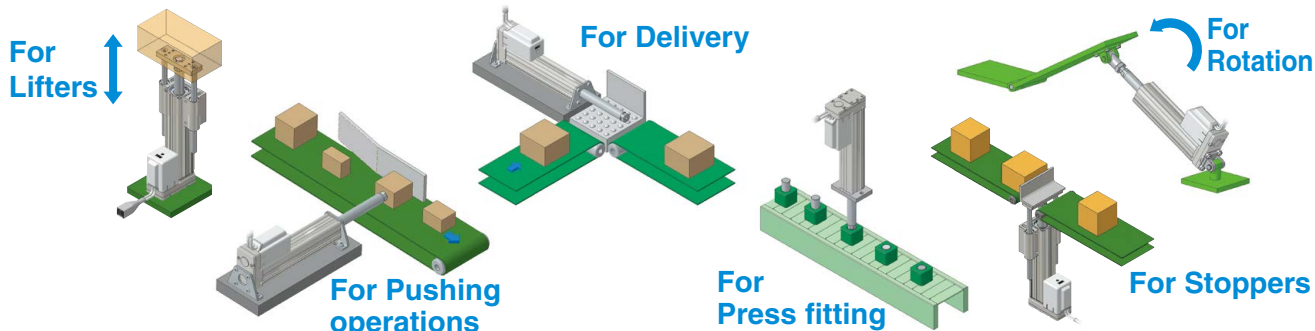
Direct Mounting



Bracket Mounting

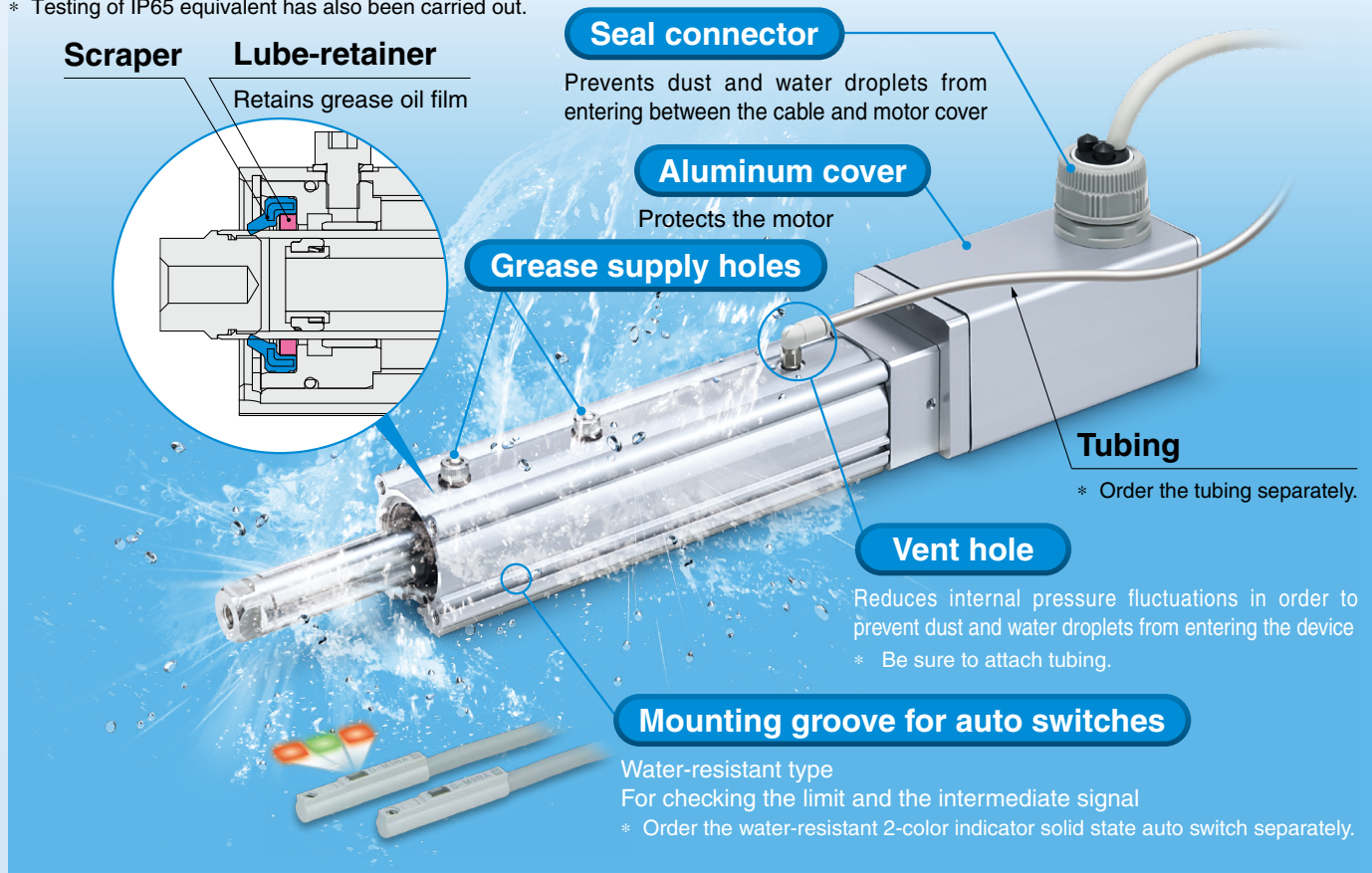


Application Examples



Dust-tight/Water-jet-proof (IP65 Equivalent/IP67 Equivalent) *LEY-X7 Series*

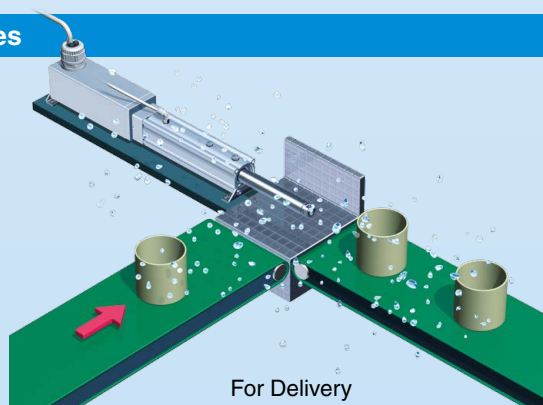
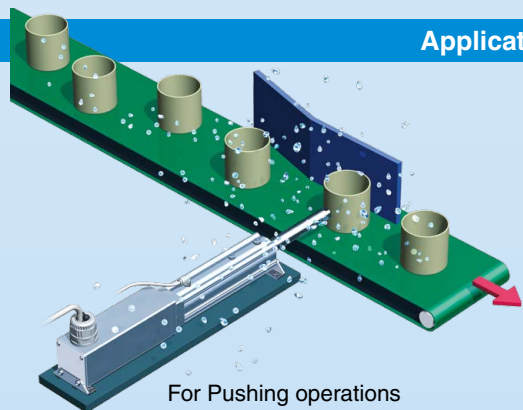
* Testing of IP65 equivalent has also been carried out.



● **Max. stroke: 500 mm***1

*1 For sizes 32 and 40

Application Examples



Variations

Series	Enclosure	Size		Motor mounting position
		Step motor (Servo/24 VDC) Servo motor (24 VDC)	AC servo motor	
LEY-X7 p. 155	IP65 equivalent/ IP67 equivalent	25 32 40	—	In-line
LEY-X5 p. 160 LEY63-□P p. 79	IP65 equivalent	25 32	25 32 63	Top side parallel, Right side parallel*1, Left side parallel*1, In-line

*1 Size 63 only

Step Data Input Type JXC51/61, LECA6 Series pp. 211, 218

Simple setting allows for immediate use!

☉ **“Easy Mode” for simple setting**

For immediate use, select “Easy Mode.”

New

Step Motor
(Servo/24 VDC)
JXC51/61



Servo motor
(24 VDC)
LECA6



**<When a PC is used>
Controller setting software**

- Step data setting, test drive, jogging, and move for the constant rate can be set and operated on one screen.

No.	Move M	Speed mm/s	Position mm	PushInF %	PushInSp %	In Pos
0	Absolute	100	5.00	0	0	1.00
1	Absolute	100	10.00	0	0	1.00
2	Absolute	100	20.00	0	0	1.00
3	Absolute	200	30.00	0	0	1.00
4	Absolute	200	40.00	0	0	1.00
5	Absolute	300	50.00	0	0	1.00
6	Absolute	300	60.00	0	0	1.00
7	Absolute	400	70.00	0	0	1.00
8	Absolute	400	80.00	0	0	1.00
9	Absolute	500	90.00	0	0	1.00

<When a TB (teaching box) is used>

- The simple screen without scrolling promotes ease of setting and operation.
- Choose an icon from the first screen to select a function.
- Set the step data and check the monitor on the second screen.



Example of setting the step data

After entering the values, they can be registered by pressing “SET.”

Example of checking the operation status

The operation status can be checked.

Teaching box screen

- Data can be set by inputting only the position and speed. (Other conditions are preset.)

Step	Axis 1
Step No.	0
Posn	50.00 mm
Speed	200 mm/s

Step	Axis 1
Step No.	1
Posn	80.00 mm
Speed	100 mm/s

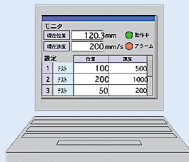
⊙ “Normal Mode” for detailed setting

Select “Normal Mode” when detailed setting is required.

- Step data can be set in detail.
- Parameters can be set.
- Signals and terminal status can be monitored.
- JOG and constant rate movement, return to origin, test drive, and testing of forced output can be performed.

<When a PC is used> Controller setting software

- Step data setting, parameter setting, monitoring, teaching, etc., are displayed in different windows.



Step data setting window

No.	Move M	Speed	Position	Accel	Decel	Pushing
		mm/s	mm	mm/s ²	mm/s ²	Z
0	Absolute	100	5.00	2000	2000	
1	Absolute	100	10.00	2000	2000	
2	Absolute	100	20.00	2000	2000	
3	Absolute	200	20.00	2000	2000	
4	Absolute	200	40.00	2000	2000	
5	Absolute	300	50.00	2000	2000	
6	Absolute	300	60.00	2000	2000	
7	Absolute	400	70.00	2000	2000	
8	Absolute	400	80.00	2000	2000	
9	Absolute	500	90.00	2000	2000	
10	Absolute	500	100.00	2000	2000	

Parameter setting window

Item	Value
Controller ID	
IO pattern	
ACC/DEC pattern	Trapezoid-motion
Smoothing rate	
Stroke(+)	200
Stroke(-)	-200
Max speed	
Max ACC/DEC	
Def. In position	
ORIG offset	
Max. force	
Para. protect	1: Common/Step/Bit Disable
Enable SW	
Unit name	

Monitoring window

Teaching window

<When a TB (teaching box) is used>

- Multiple step data can be stored in the teaching box and transferred to the controller.
- Continuous test drive by up to 5 step data

Teaching box screen

- Each function (step data setting, test drive, monitoring, etc.) can be selected from the main menu.

Main menu screen

- Menu
- Axis 1
- Step data
- Parameter
- Test

Step data setting screen

- Step
- Axis 1
- Step No. 0
- Movement MOD

Test screen

- Test DRV
- Axis 1
- Step No. 1
- Posn 123.45 mm
- Stop

Monitoring screen

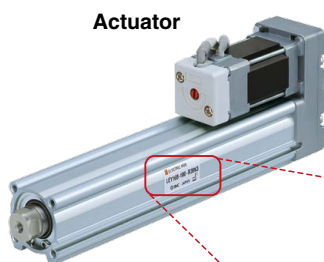
- Out mon
- Axis 1
- BUSY[]
- SVRE[●]
- SETON[]

The actuator and controller are provided as a set. (They can be ordered separately as well.)

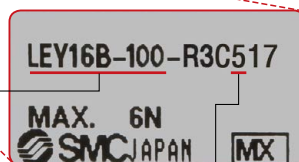
Confirm that the combination of the controller and actuator is correct.

<Check the following before use.>

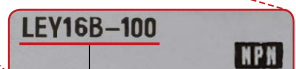
- ① Check the actuator label for the model number. This number should match that of the controller.
- ② Check that the Parallel I/O configuration matches (NPN or PNP).



Actuator



Controller



Fieldbus Network

Fieldbus-compatible Gateway (GW) Unit

LEC-G Series p.225



- Conversion unit for Fieldbus network and LEC serial communication

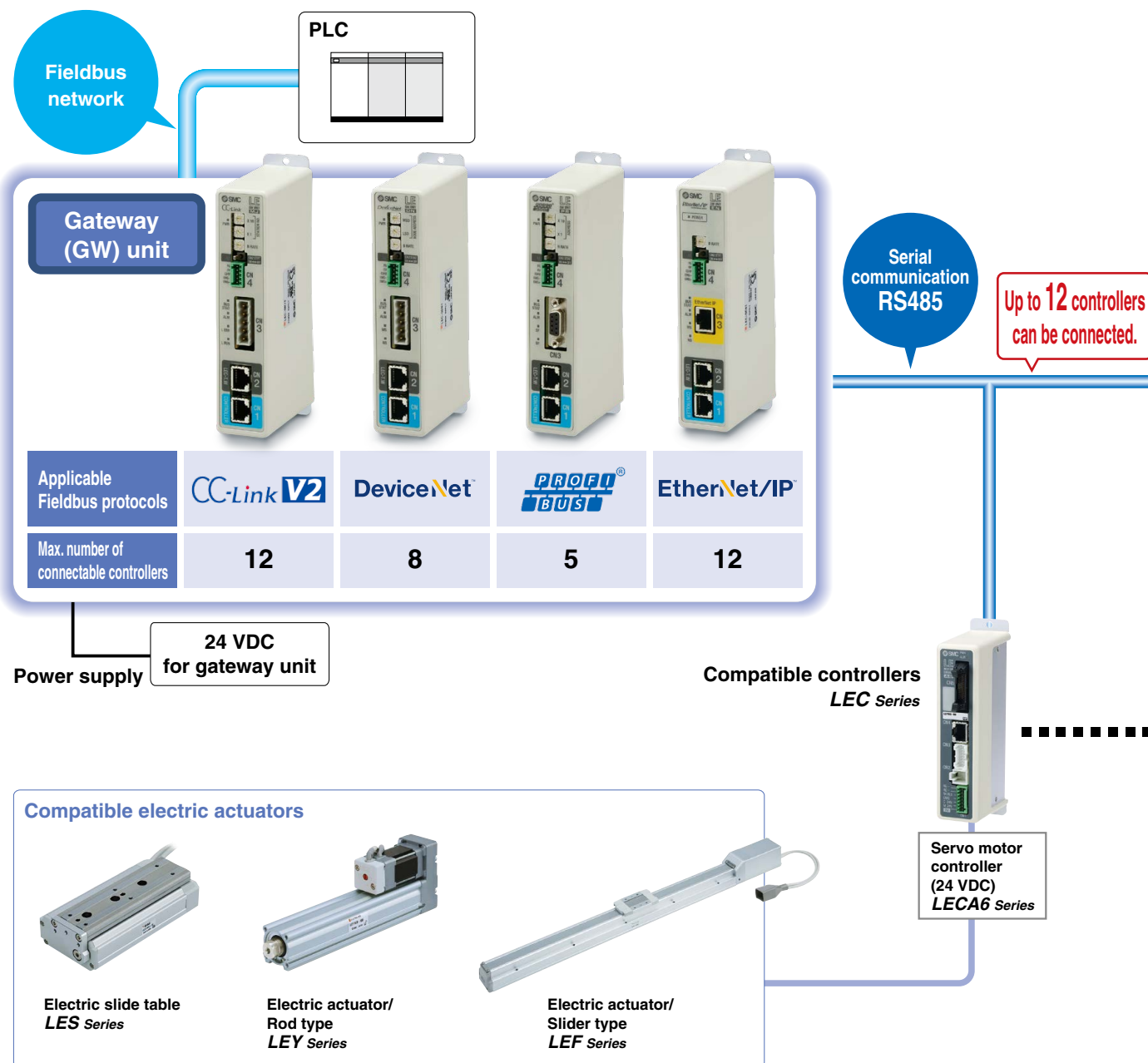
Applicable Fieldbus protocols: **CC-Link V2** **DeviceNet** **PROFIBUS** **EtherNet/IP**

- Two methods of operation

Step data input: Operate using preset step data in the controller.

Numerical data input: The actuator operates using values such as position and speed from the PLC.

- Values such as position and speed can be checked on the PLC.



Programless Type *LECP1 Series* p. 229

No programming required!

Allows for the setting up of electric actuator operation without using a PC or teaching box



Step motor (Servo/24 VDC) **LECP1**

1 Setting the position number

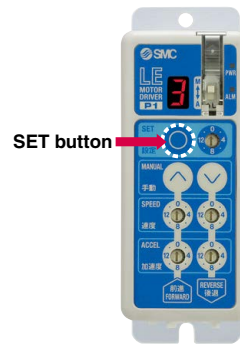
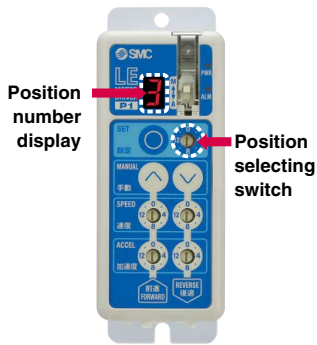
Set a registered number for the stop position. Max. 14 points

2 Setting the stop position

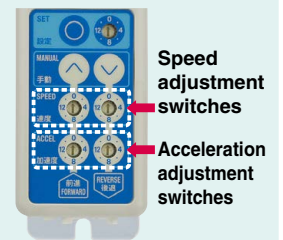
Move the actuator to the desired stop position using the FORWARD and REVERSE buttons.

3 Registration

Register the stop position using the SET button.

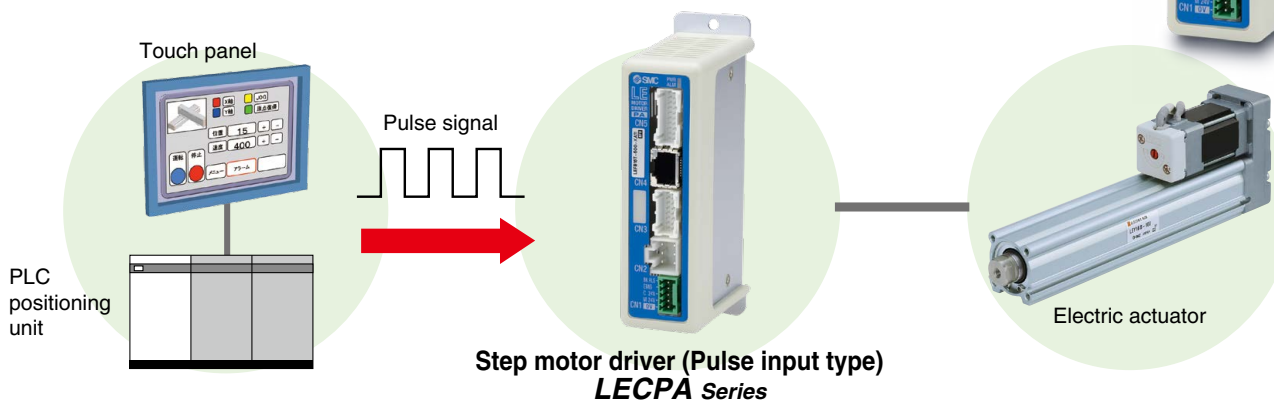


Speed/Acceleration 16-level adjustment



Pulse Input Type *LECPA Series* p. 235

- This driver uses pulse signals to allow positioning at any position. The actuator can be controlled from the customers' positioning unit.



- **Return-to-origin command signal**
Enables automatic return-to-origin action
- **With force limit function (Pushing force/Gripping force operation available)**
Pushing force/Positioning operation is possible by switching signals.

Function

Item	Step data input type JXC51/61/LECA6	Programless type LECP1	Pulse input type LECPA
Step data and parameter setting	<ul style="list-style-type: none"> Input from controller setting software (PC) Input from teaching box 	<ul style="list-style-type: none"> Selected using controller operation buttons 	<ul style="list-style-type: none"> Input from controller setting software (PC) Input from teaching box
Step data "position" setting	<ul style="list-style-type: none"> Numerical value input from controller setting software (PC) or teaching box Input numerical value Direct teaching JOG teaching 	<ul style="list-style-type: none"> Direct teaching JOG teaching 	<ul style="list-style-type: none"> No "Position" setting required Position and speed set by pulse signal
Number of step data	64 points	14 points	—
Operation command (I/O signal)	Step No. [IN*] input ⇒ [DRIVE] input	Step No. [IN*] input only	Pulse signal
Completion signal	[INP] output	[OUT*] output	[INP] output

Setting Items

TB: Teaching box PC: Controller setting software

Item	Contents	Easy Mode		Normal Mode	Step data input type JXC51/61/LECA6	Pulse input type LECPA	Programless type LECP1*1	
		TB	PC	TB/PC				
Step data setting (Excerpt)	Movement MOD	Selection of "absolute position" and "relative position"		△ ●	Set at ABS/INC	No setting required	Fixed value (ABS)	
	Speed	Transfer speed		● ● ●	Set in units of 1 mm/s		Select from 16 levels	
	Position	[Position]: Target position [Pushing]: Pushing start position		● ● ●	Set in units of 0.01 mm		Direct teaching JOG teaching	
	Acceleration/Deceleration	Acceleration/deceleration during movement		● ● ●	Set in units of 1 mm/s ²		Select from 16 levels	
	Pushing force	Rate of force during pushing operation		● ● ●	Set in units of 1%		Set in units of 1%	Select from 3 levels (weak, medium, and strong)
	Trigger LV	Target force during pushing operation		△ ● ●	Set in units of 1%		Set in units of 1%	No setting required (same value as pushing force)
	Pushing speed	Speed during pushing operation		△ ● ●	Set in units of 1 mm/s		Set in units of 1 mm/s	No setting required
	Moving force	Force during positioning operation		△ ● ●	Set to 100%		Set to (Different values for each actuator) %	
	Area output	Conditions for area output signal to turn ON		△ ● ●	Set in units of 0.01 mm		Set in units of 0.01 mm	
In position	[Position]: Width to the target position [Pushing]: How much it moves during pushing		△ ● ●	Set to 0.5 mm or more (Units: 0.01 mm)	Set to (Different values for each actuator) or more (Units: 0.01 mm)			
Parameter setting (Excerpt)	Stroke (+)	+ side position limit		× × ●	Set in units of 0.01 mm	Set in units of 0.01 mm	No setting required	
	Stroke (-)	- side position limit		× × ●	Set in units of 0.01 mm	Set in units of 0.01 mm		
	ORIG direction	Direction of the return to origin can be set.		× × ●	Compatible	Compatible	Compatible	
	ORIG speed	Speed during return to origin		× × ●	Set in units of 1 mm/s	Set in units of 1 mm/s	No setting required	
	ORIG ACC	Acceleration during return to origin		× × ●	Set in units of 1 mm/s ²	Set in units of 1 mm/s ²		
Test	JOG			● ● ●	Continuous operation at the set speed can be tested while the switch is being pressed.	Continuous operation at the set speed can be tested while the switch is being pressed.	Hold down the MANUAL button (⊙) for uniform sending (speed is a specified value).	
	MOVE			× ● ●	Operation at the set distance and speed from the current position can be tested.	Operation at the set distance and speed from the current position can be tested.	Press the MANUAL button (⊙) once for sizing operation (speed and sizing amount are specified values).	
	Return to ORIG			● ● ●	Compatible	Compatible	Compatible	
	Test drive	Operation of the specified step data		● ● ● (Continuous operation)	Compatible	Not compatible	Compatible	
	Forced output	ON/OFF of the output terminal can be tested.		× × ●	Compatible	Compatible	Not compatible	
Monitor	DRV mon	Current position, speed, force, and the specified step data can be monitored.		● ● ●	Compatible	Compatible		
	In/Out mon	Current ON/OFF status of the input and output terminal can be monitored.		× × ●	Compatible	Compatible		
ALM	Status	Alarm currently being generated can be confirmed.		● ● ●	Compatible	Compatible	Compatible (display alarm group)	
	ALM Log record	Alarms generated in the past can be confirmed.		× × ●	Compatible	Compatible	Not compatible	
File	Save/Load	Step data and parameters can be saved, forwarded, and deleted.		× × ●	Compatible	Compatible		
Other	Language	Can be changed to Japanese or English		● ● ●	Compatible	Compatible		

△: Can be set from TB Ver. 2.** (The version information is displayed on the initial screen.)

*1 The LECP1 programless type cannot be used with the teaching box and controller setting kit.

Fieldbus Network

EtherCAT®/EtherNet/IP™/PROFINET™/DeviceNet™/IO-Link/CC-Link Direct Input Type Step Motor Controller/JXC□ Series p. 241



Two types of operation command

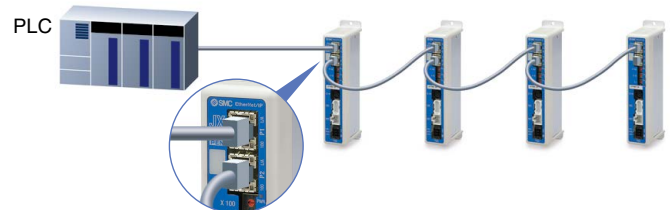
Step no. defined operation: Operate using the preset step data in the controller.
Numerical data defined operation: The actuator operates using values such as position and speed from the PLC.

Numerical monitoring available

Numerical information, such as the current speed, current position, and alarm codes, can be monitored on the PLC.

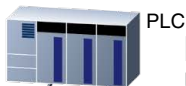
Transition wiring of communication cables

Two communication ports are provided.
 * For the DeviceNet™ type, transition wiring is possible using a branch connector.
 * 1 to 1 in the case of IO-Link



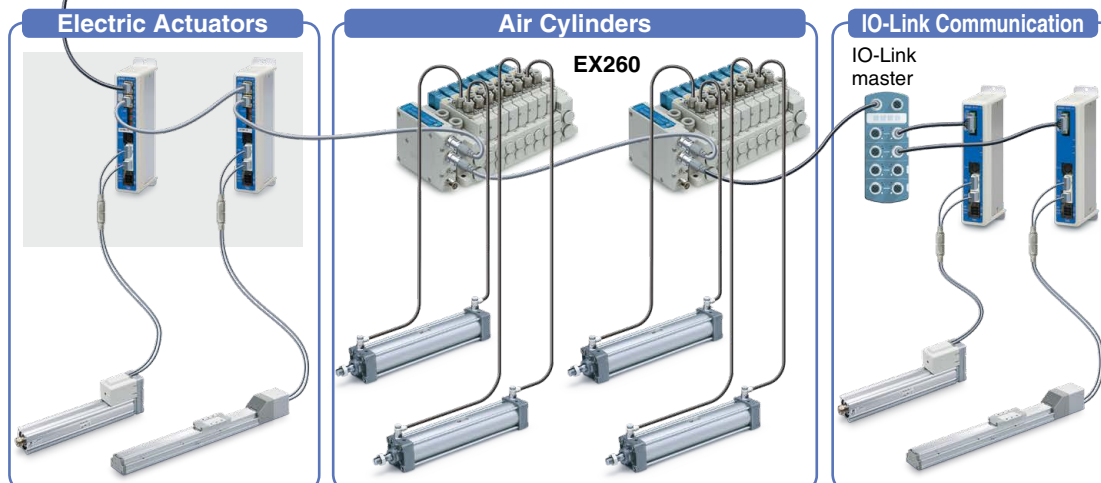
Application

Communication protocols
 EtherCAT® EtherNet/IP™ PROFINET™ DeviceNet™ IO-Link CC-Link

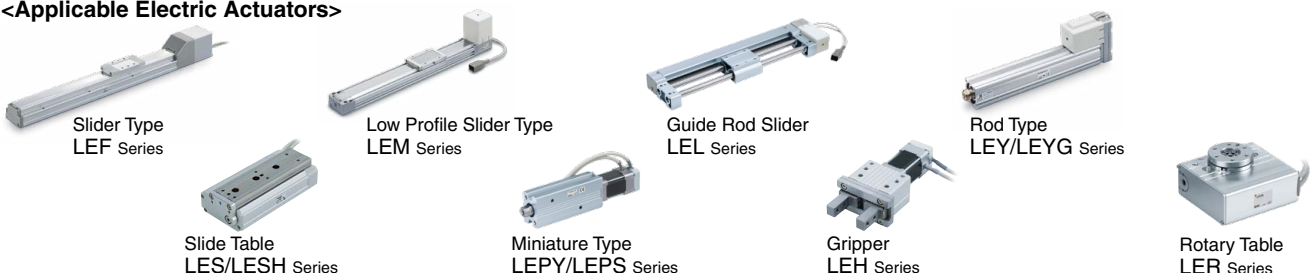


Both air and electric systems can be established under the same protocol.

Can be additionally installed in an existing network

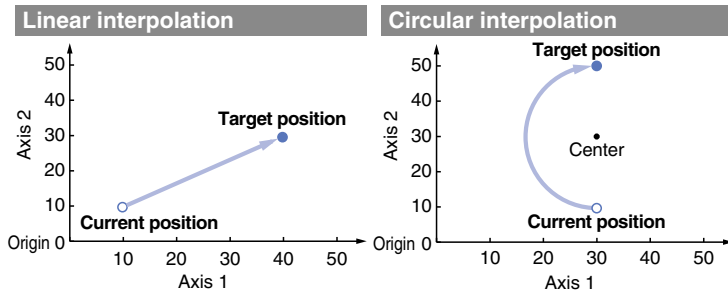


<Applicable Electric Actuators>



Multi-Axis Step Motor Controller

- Speed tuning control*¹
(3 Axes: JXC92 4 Axes: JXC73/83/93)
- Linear/circular interpolation

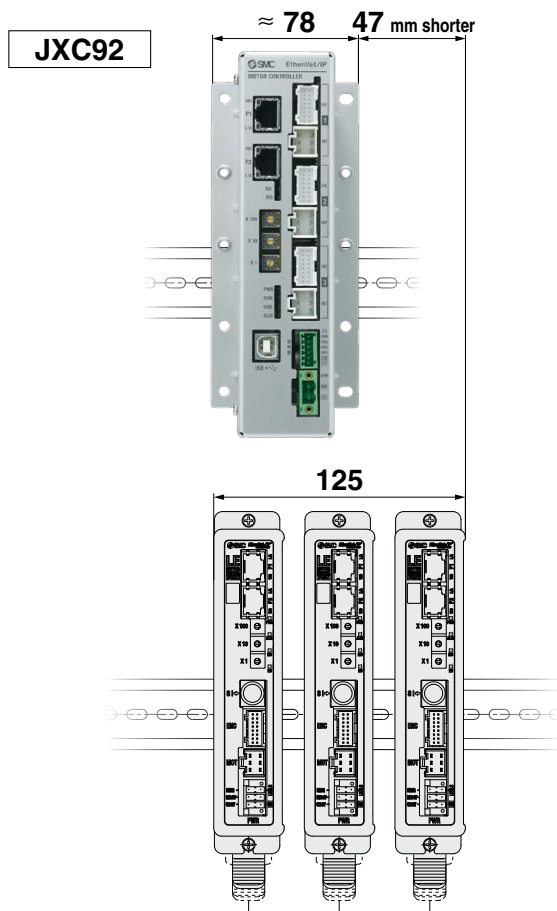


- Positioning/pushing operation
- Step data input
(Max. 2048 points)
- Space saving, reduced wiring
- Absolute/relative position coordinate instructions

*1 This controls the speed of the following axis when the speed of the primary axis drops due to the effects of an external force and when a speed difference with the following axis occurs. This control is not for synchronizing the position of the primary axis and following axis.

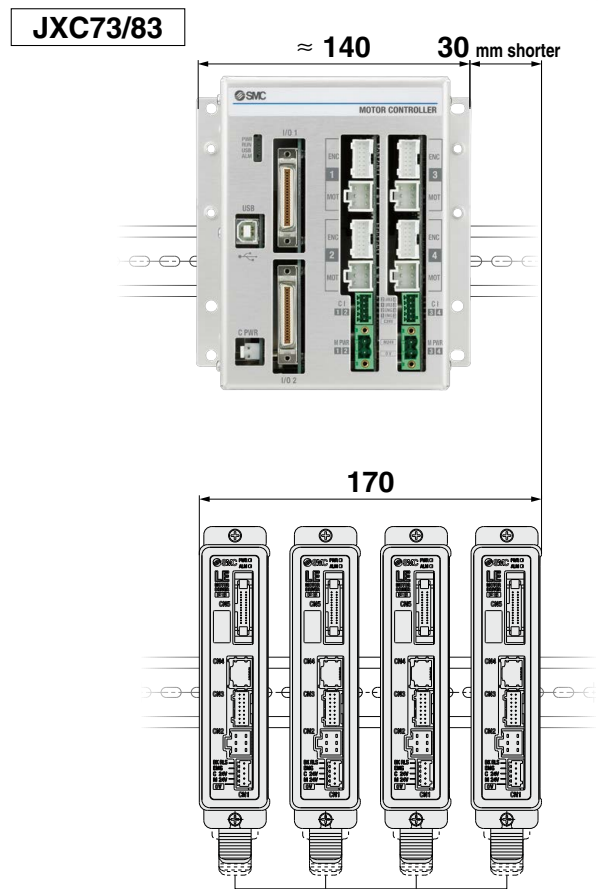
For 3 Axes **JXC92 Series** p. 247

- EtherNet/IP™ Type
- Width: Approx. **38%** reduction



For 4 Axes **JXC73/83/93 Series** p. 249

- Parallel I/O/
EtherNet/IP™ Type
- Width: Approx. **18%** reduction



* For LEC□, size 25 or larger



JXC92 Series

Step Data Input: Max. 2048 points

For 3 Axes 3-axis operation can be set collectively in one step.

Step	Axis	Movement mode	Speed	Position	Acceleration	Deceleration	Pushing force	Trigger LV	Pushing speed	Moving force	Area 1	Area 2	In position	Comments
			mm/s	mm	mm/s ²	mm/s ²					mm	mm	mm	
0	Axis 1	ABS	500	100.00	3000	3000	0	85.0	50	100.0	10.0	30.0	0.5	
	Axis 2	ABS	500	100.00	3000	3000	0	85.0	50	100.0	10.0	30.0	0.5	
	Axis 3	ABS	500	100.00	3000	3000	0	85.0	50	100.0	10.0	30.0	0.5	
1	Axis 1	INC	500	200.00	3000	3000	0	85.0	50	100.0	0	0	0.5	
	Axis 2	INC	500	200.00	3000	3000	0	85.0	50	100.0	0	0	0.5	
	Axis 3	INC	500	200.00	3000	3000	0	85.0	50	100.0	0	0	0.5	
⋮	⋮	⋮	⋮	⋮	⋮	⋮	⋮	⋮	⋮	⋮	⋮	⋮	⋮	⋮
2046	Axis 1	SYN-I	500	100.00	3000	3000	0	0	0	100.0	0	0	0.5	
	Axis 2	SYN-I	0	0.00	0	0	0	0	0	100.0	0	0	0.5	
	Axis 3	SYN-I	0	0.00	0	0	0	0	0	100.0	0	0	0.5	
2047	Axis 1	CIR-R	500	0.00	3000	3000	0	0	0	100.0	0	0	0.5	
	Axis 2	CIR-R	0	50.00	0	0	0	0	0	100.0	0	0	0.5	
	Axis 3*1		0	0.00	0	0	0	0	0	100.0	0	0	0.5	
	Axis 4*1		0	25.00	0	0	0	0	0	100.0	0	0	0.5	

*1 When circular interpolation (CIR-R, CIR-L, CIR-3) is selected in the movement mode, input the X and Y coordinates in the rotation center position or input the X and Y coordinates in the passing position.

Movement mode	Pushing operation	Details
Blank	×	Invalid data (Invalid process)
ABS	○	Moves to the absolute coordinate position based on the origin of the actuator
INC	○	Moves to the relative coordinate position based on the current position
LIN-A	×	Moves to the absolute coordinate position based on the origin of the actuator by linear interpolation
LIN-I	×	Moves to the relative coordinate position based on the current position by linear interpolation
CIR-R*2	×	With Axis 1 assigned to the X-axis and Axis 2 to the Y-axis, it moves in the clockwise direction by circular interpolation. The target position and rotation center position are specified according to the relative coordinates from the current position. The position data is assigned as follows. Axis 1: Target position X Axis 2: Target position Y Axis 3*1: Rotation center position X Axis 4*1: Rotation center position Y
CIR-L*2	×	With Axis 1 assigned to the X-axis and Axis 2 to the Y-axis, it moves in the counter-clockwise direction by circular interpolation. The target position and rotation center position are specified according to the relative coordinates from the current position. The position data is assigned as follows. Axis 1: Target position X Axis 2: Target position Y Axis 3*1: Rotation center position X Axis 4*1: Rotation center position Y
SYN-I	×	Moves to the relative coordinate position based on the current position by speed tuning control*3
CIR-3*2	×	With Axis 1 assigned to the X-axis and Axis 2 to the Y-axis, it moves based on the three specified points by circular interpolation. The target position and passing position are specified according to the relative coordinates from the current position. The position data is assigned as follows. Axis 1: Target position X Axis 2: Target position Y Axis 3*1: Passing position X Axis 4*1: Passing position Y

*2 Performs a circular operation on a plane using Axis 1 and Axis 2

*3 This controls the speed of the following axis when the speed of the primary axis drops due to the effects of an external force and when a speed difference with the following axis occurs. This control is not for synchronizing the position of the primary axis and following axis.

JXC73/83/93 Series

Step Data Input: Max. 2048 points



For 4 Axes 4-axis operation can be set collectively in one step.

Step	Axis	Movement mode	Speed	Position	Acceleration	Deceleration	Positioning/ Pushing	Area 1	Area 2	In position	Comments
			mm/s	mm	mm/s ²	mm/s ²		mm	mm	mm	
0	Axis 1	ABS	100	200.00	1000	1000	0	6.0	12.0	0.5	
	Axis 2	ABS	50	100.00	1000	1000	0	6.0	12.0	0.5	
	Axis 3	ABS	50	100.00	1000	1000	0	6.0	12.0	0.5	
	Axis 4	ABS	50	100.00	1000	1000	0	6.0	12.0	0.5	
1	Axis 1	INC	500	250.00	1000	1000	1	0	0	20.0	
	Axis 2	INC	500	250.00	1000	1000	1	0	0	20.0	
	Axis 3	INC	500	250.00	1000	1000	1	0	0	20.0	
	Axis 4	INC	500	250.00	1000	1000	1	0	0	20.0	
...	
2046	Axis 4	ABS	200	700	500	500	0	0	0	0.5	
2047	Axis 1	ABS	500	0.00	3000	3000	0	0	0	0.5	
	Axis 2	ABS	500	0.00	3000	3000	0	0	0	0.5	
	Axis 3	ABS	500	0.00	3000	3000	0	0	0	0.5	
	Axis 4	ABS	500	0.00	3000	3000	0	0	0	0.5	

Movement mode	Pushing operation	Details
Blank	×	Invalid data (Invalid process)
ABS	○	Moves to the absolute coordinate position based on the origin of the actuator
INC	○	Moves to the relative coordinate position based on the current position
LIN-A	×	Moves to the absolute coordinate position based on the origin of the actuator by linear interpolation
LIN-I	×	Moves to the relative coordinate position based on the current position by linear interpolation
CIR-R*1	×	With Axis 1 assigned to the X-axis and Axis 2 to the Y-axis, it moves in the clockwise direction by circular interpolation. The target position and rotation center position are specified according to the relative coordinates from the current position. The position data is assigned as follows. Axis 1: Target position X Axis 2: Target position Y Axis 3: Rotation center position X Axis 4: Rotation center position Y
CIR-L*1	×	With Axis 1 assigned to the X-axis and Axis 2 to the Y-axis, it moves in the counter-clockwise direction by circular interpolation. The target position and rotation center position are specified according to the relative coordinates from the current position. The position data is assigned as follows. Axis 1: Target position X Axis 2: Target position Y Axis 3: Rotation center position X Axis 4: Rotation center position Y
SYN-I	×	Moves to the relative coordinate position based on the current position by speed tuning control*2

*1 Performs a circular operation on a plane using Axis 1 and Axis 2

*2 This controls the speed of the following axis when the speed of the primary axis drops due to the effects of an external force and when a speed difference with the following axis occurs. This control is not for synchronizing the position of the primary axis and following axis.

Controller Setting Software (Connection with a PC)

For 3 Axes JXC92 For 4 Axes JXC73/83/93

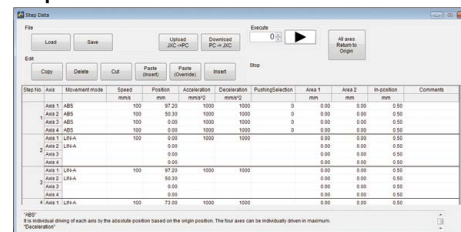
Easy file management

Load	The step data is loaded from the file.
Save	The step data is saved in a file.
Upload	The step data is loaded from the controller.
Download	The step data is written in the controller.

Abundant edit functions

Copy	The selected step data is copied to the clipboard.
Delete	The selected step data is deleted.
Cut	The selected step data is cut.
Paste (Insert)	The step data copied to the clipboard is inserted into the cursor's position.
Paste (Overwrite)	The step data copied to the clipboard overwrites the data at the cursor position.
Insert	A blank line is inserted in the selected step data line.

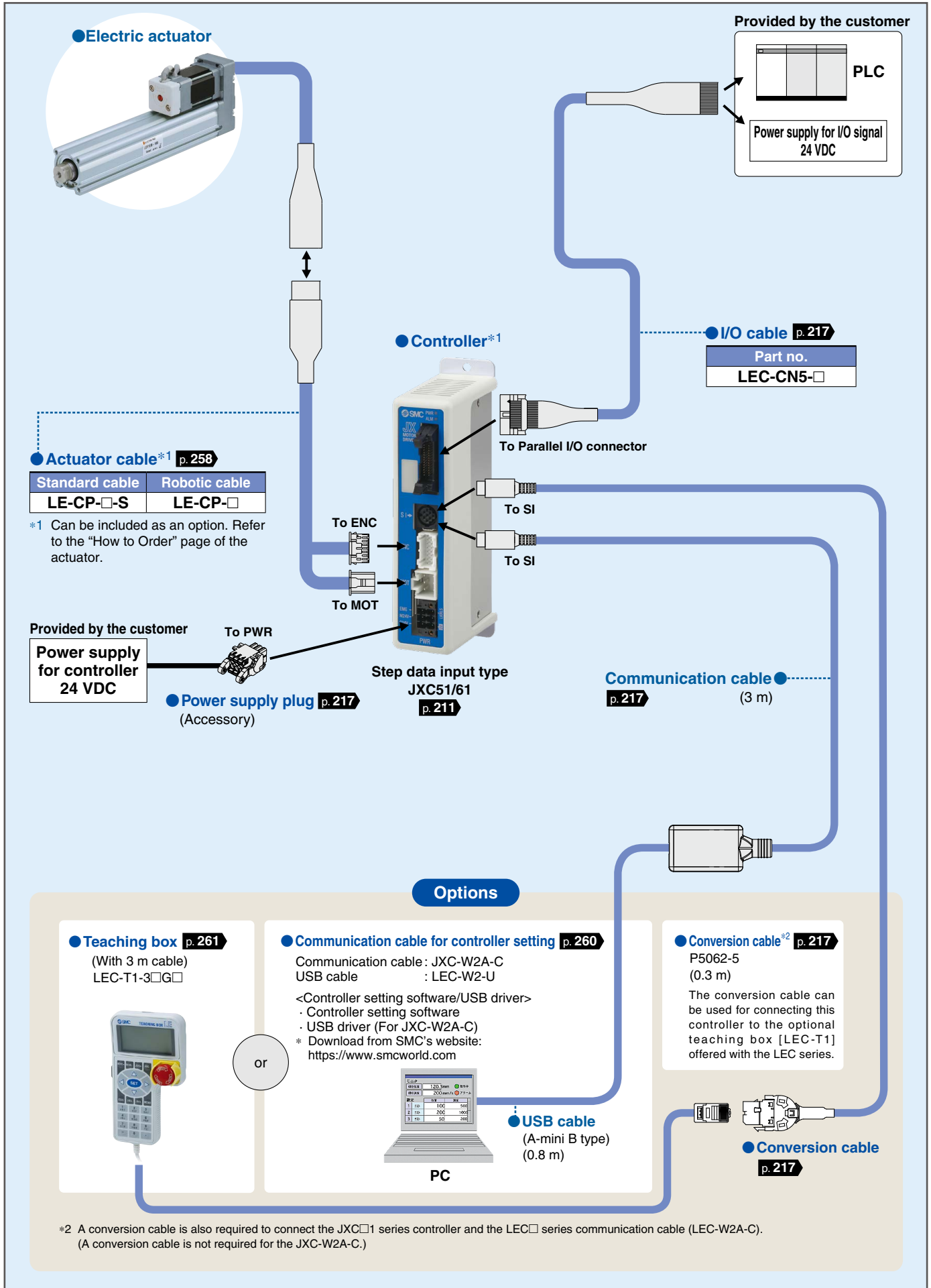
Step data window



Operation confirmation of entered step data

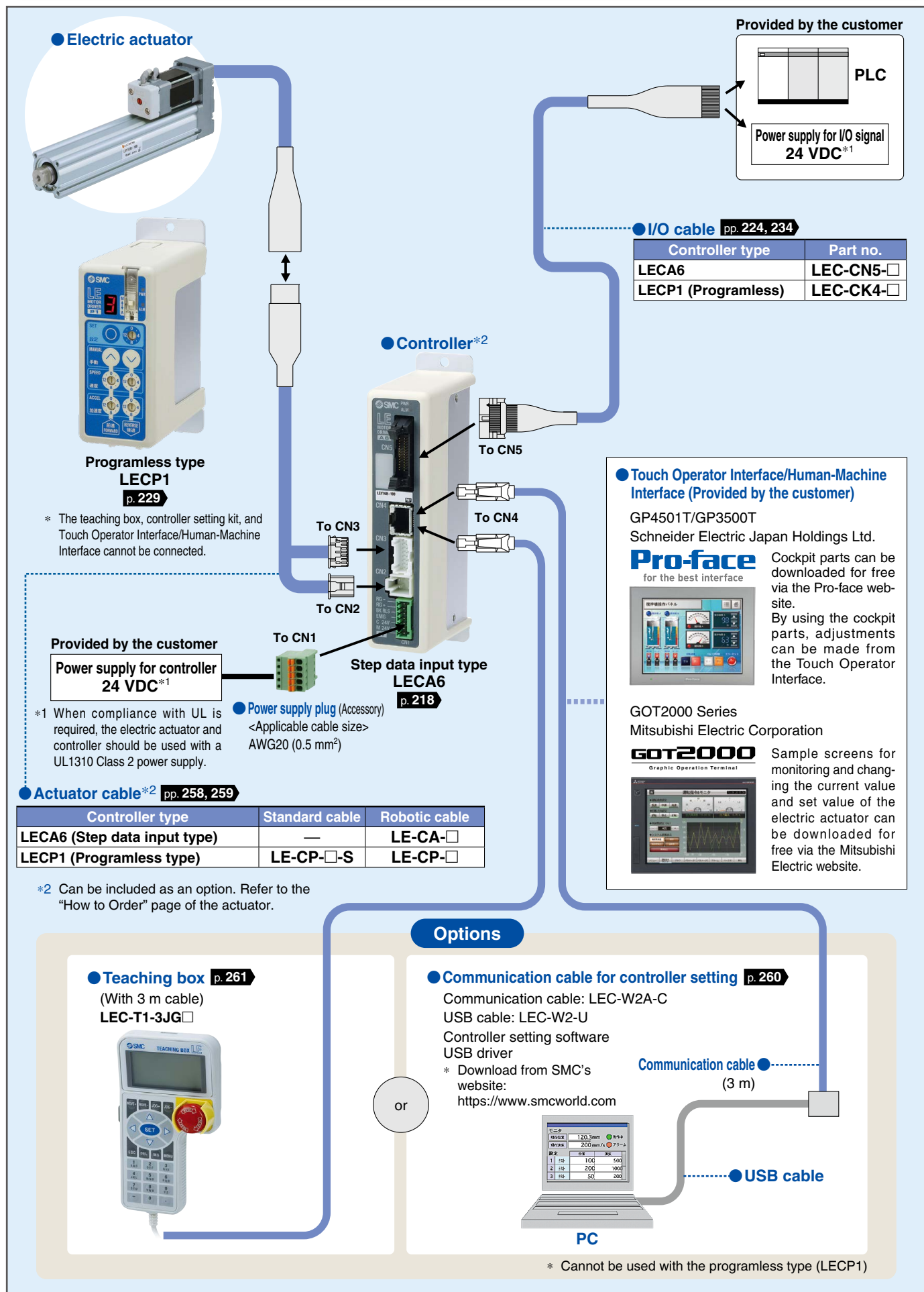
Enter step number	Enter the step number to be executed.
Execute	Executes the specified step number.
Stop	Displays whether the step number is being executed or stopped.
All axes return to origin	Performs a return to origin of all the valid axes.

System Construction/General Purpose I/O

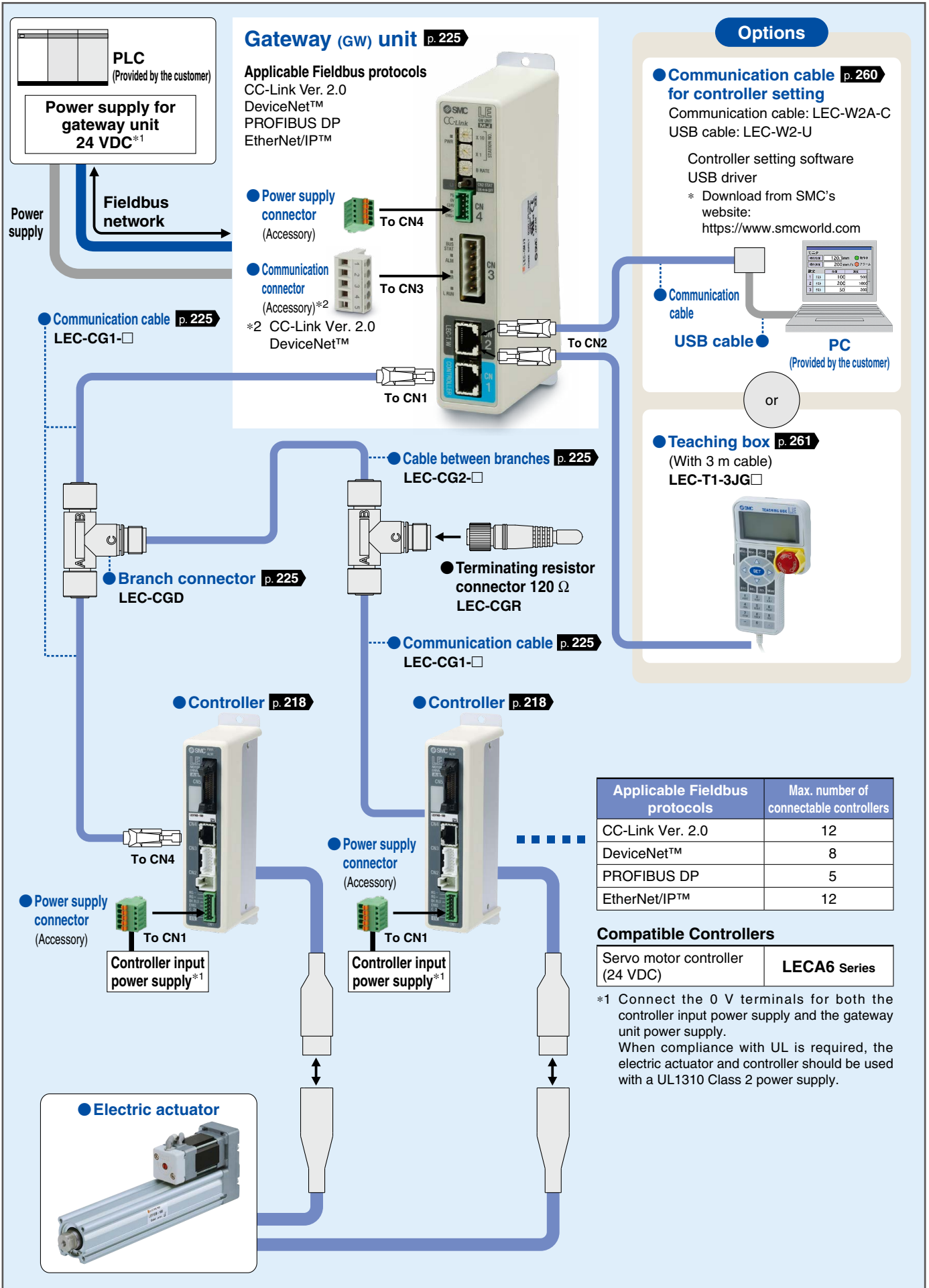


*2 A conversion cable is also required to connect the JXC□ series controller and the LEC□ series communication cable (LEC-W2A-C). (A conversion cable is not required for the JXC-W2A-C.)

System Construction/General Purpose I/O



System Construction/Fieldbus Network



System Construction/Programless Type



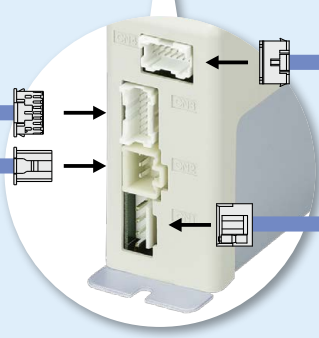
Provided by the customer

PLC

Power supply for I/O signal
24 VDC*1

● **I/O cable*2** p. 234

Controller type	Part no.
LECP1	LEC-CK4-□



● **Actuator cable*2** p. 258

Controller type	Standard cable	Robotic cable
LECP1	LE-CP-□-S	LE-CP-□

● **Power supply cable (1.5 m)**
(Accessory)

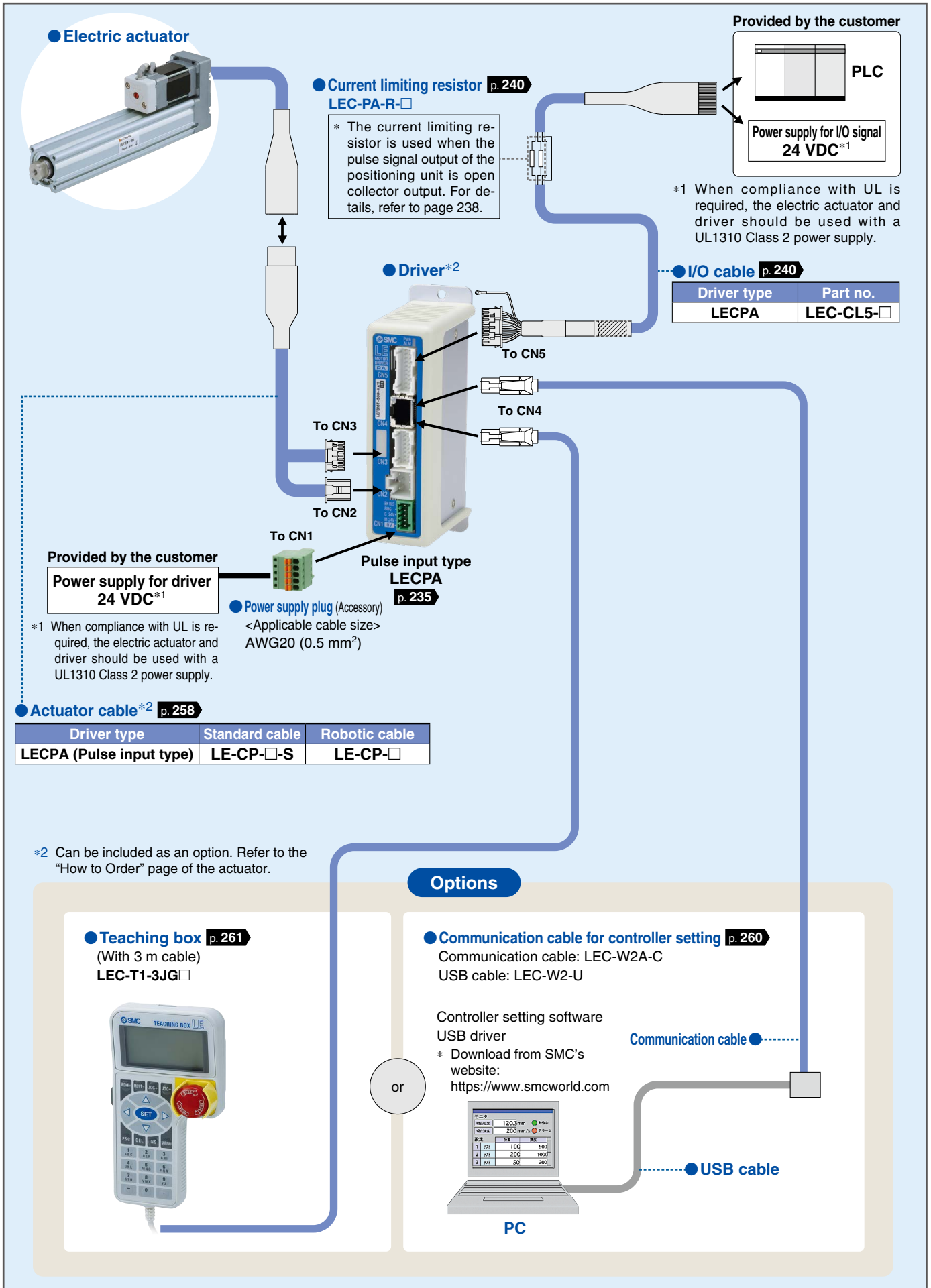
Provided by the customer

Power supply for controller
24 VDC*1

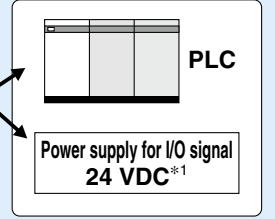
*2 Can be included as an option. Refer to the "How to Order" page of the actuator.

*1 When compliance with UL is required, the electric actuator and controller should be used with a UL1310 Class 2 power supply.

System Construction/Pulse Signal



Provided by the customer



*1 When compliance with UL is required, the electric actuator and driver should be used with a UL1310 Class 2 power supply.

Provided by the customer
 Power supply for driver
24 VDC*1

*1 When compliance with UL is required, the electric actuator and driver should be used with a UL1310 Class 2 power supply.

*2 Can be included as an option. Refer to the "How to Order" page of the actuator.

Options

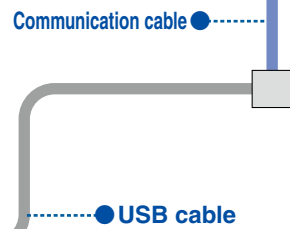
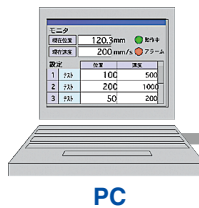
● Teaching box p. 261
 (With 3 m cable)
LEC-T1-3JG□



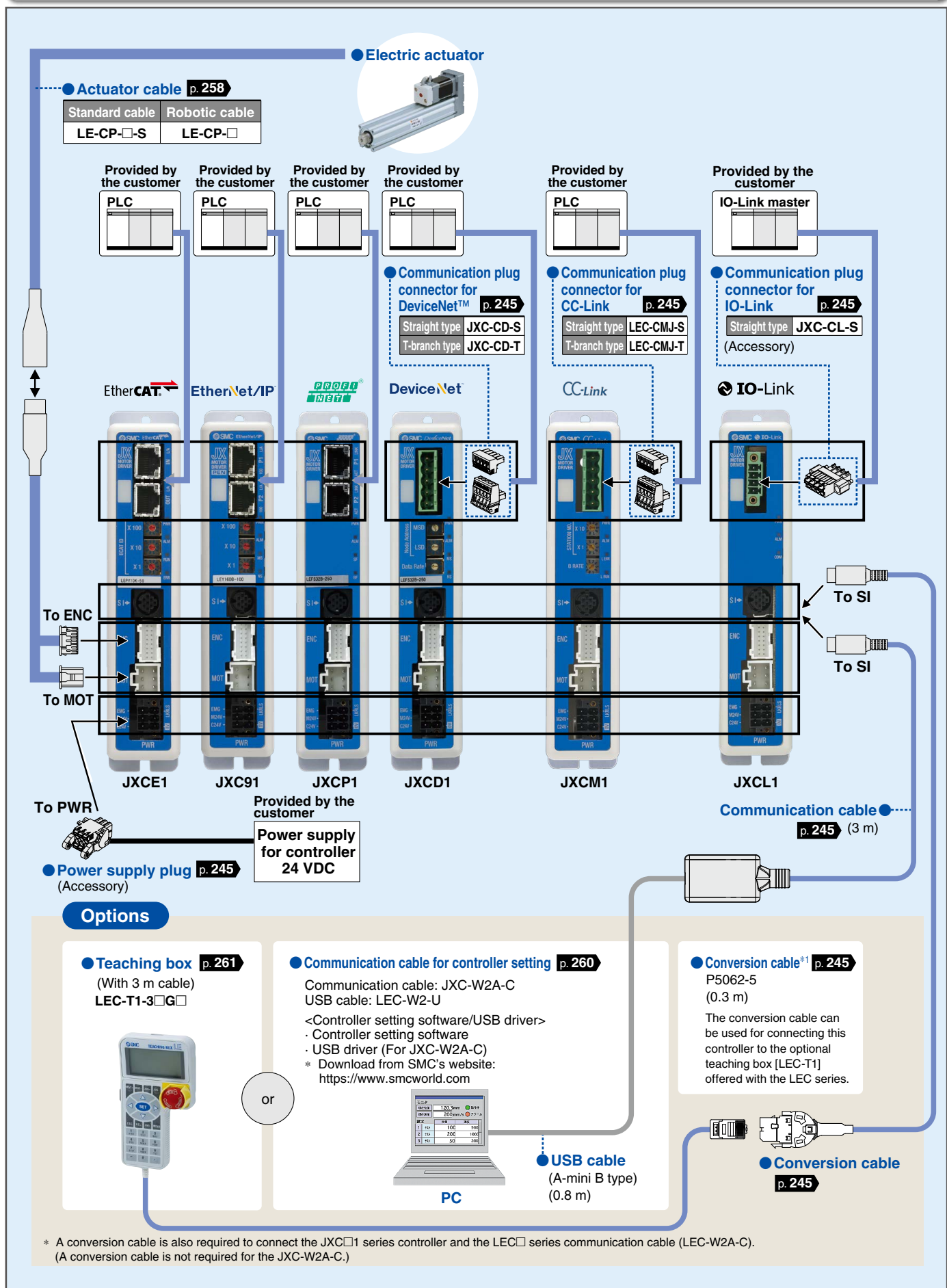
● Communication cable for controller setting p. 260
 Communication cable: LEC-W2A-C
 USB cable: LEC-W2-U

Controller setting software
 USB driver
 * Download from SMC's website:
<https://www.smcworld.com>

or

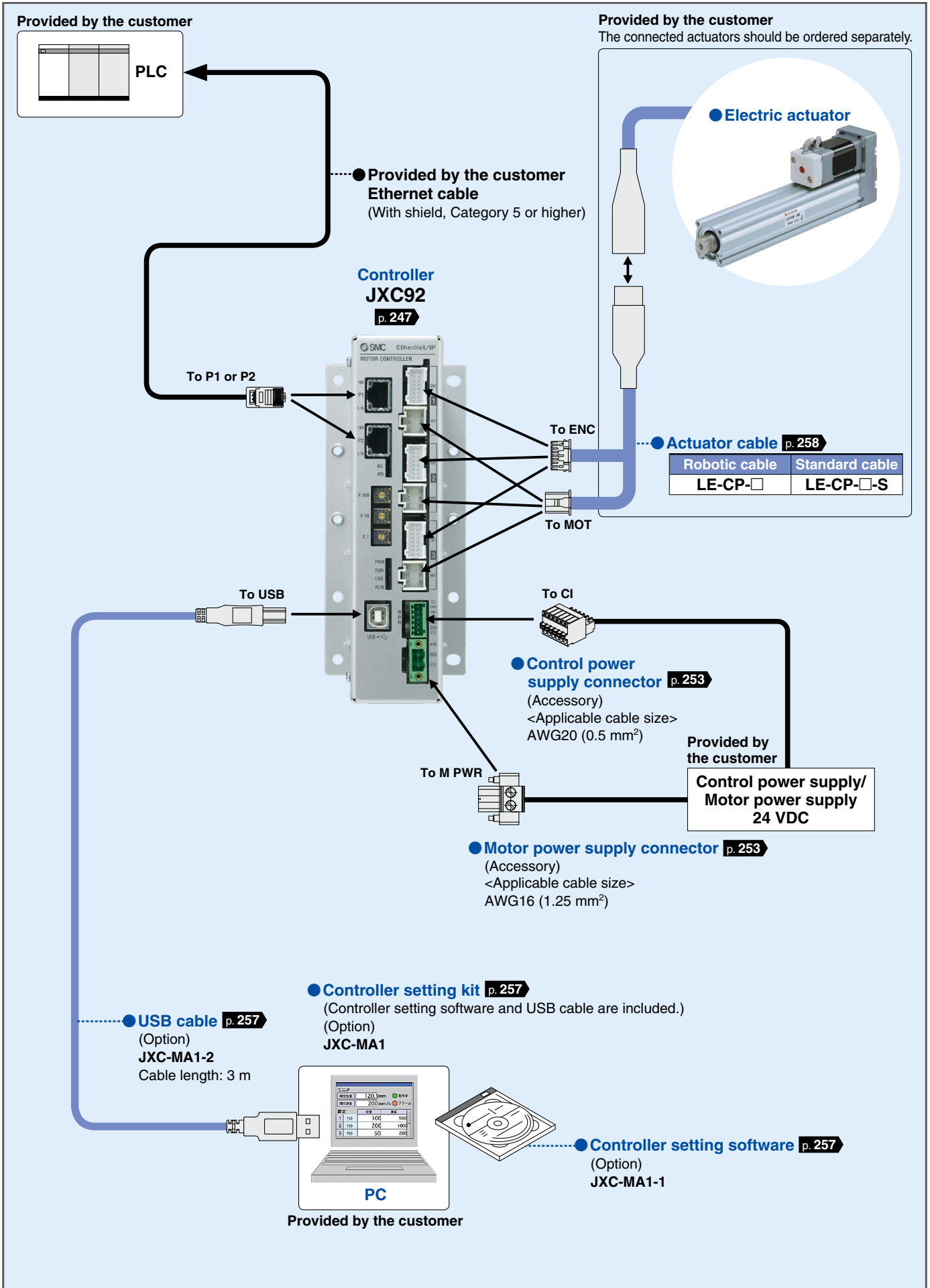


System Construction/Fieldbus Network (EtherCAT®/EtherNet/IP™/PROFINET®/DeviceNet™/IO-Link/CC-Link Direct Input Type)

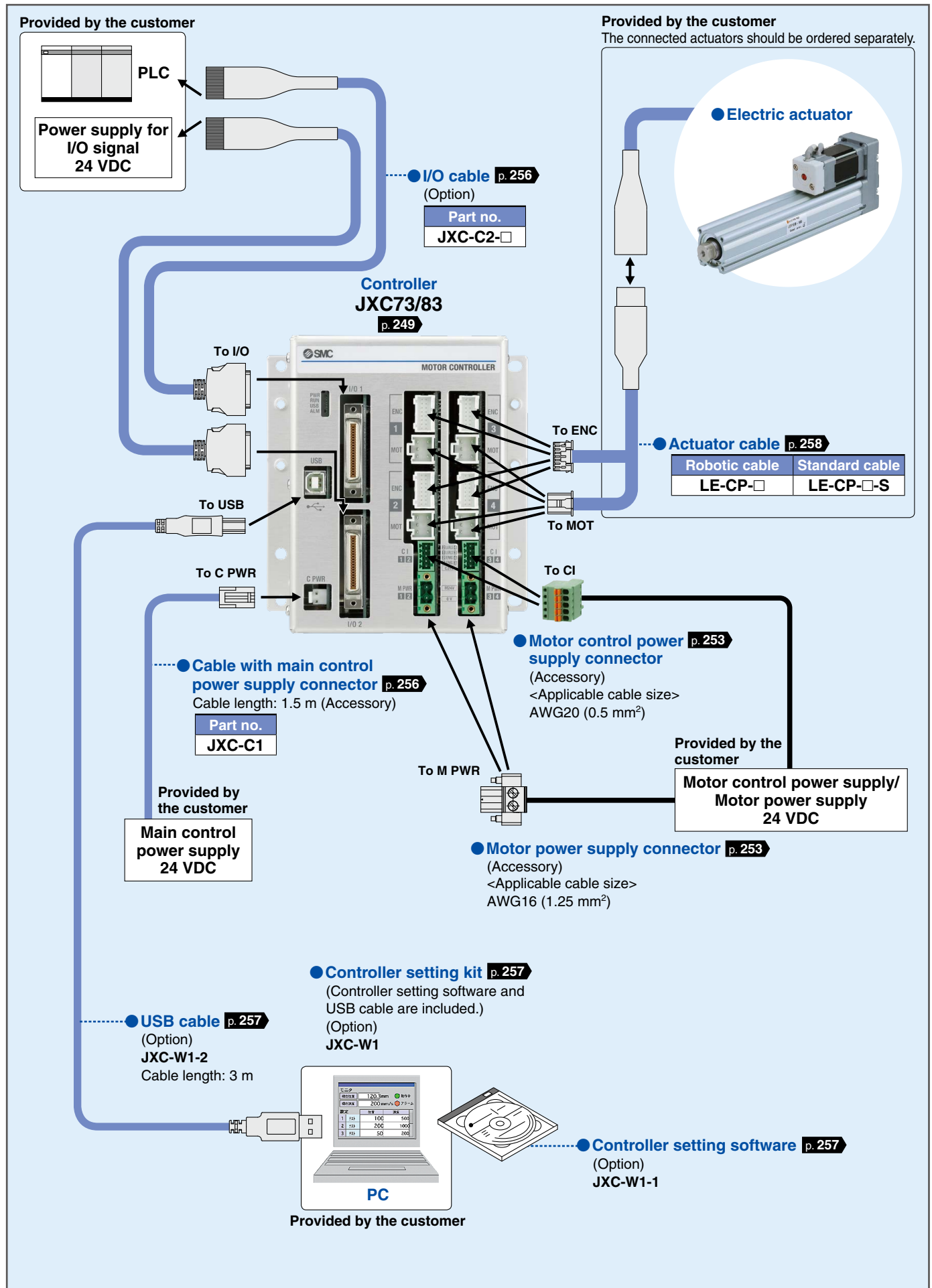


* A conversion cable is also required to connect the JXC□1 series controller and the LEC□ series communication cable (LEC-W2A-C). (A conversion cable is not required for the JXC-W2A-C.)

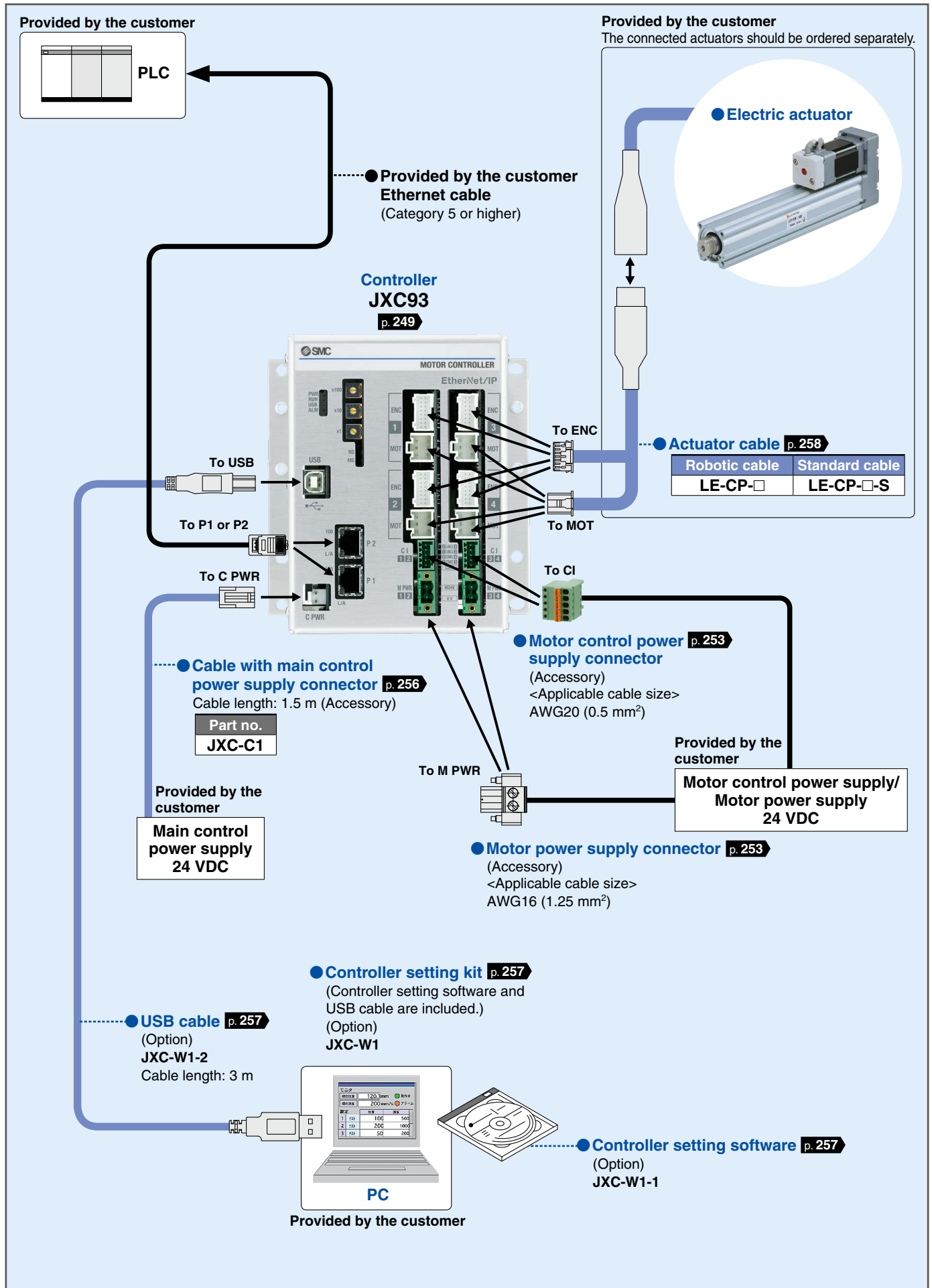
System Construction/EtherNet/IP™ Type (JXC92)



System Construction/Parallel I/O (JXC73/83)





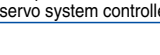

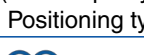






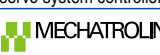






System Construction/EtherNet/IP™ Type (JXC93)





LECS□/LECS□-T/LECY□ Series List

Series	Compatible motor				Control method			Application/Function			Compatible option
	100 W	200 W	400 W	750 W	*1 Positioning	Pulse	Network direct input	*2 Synchronous	Pushing operation*4	Safety function STO	Setup software
Incremental Type LECSA (Pulse input type/ Positioning type)	●	●	●		●	●					LEC-MRC2
Absolute Type	LECSB (Pulse input type)	●	●			●					LEC-MRC2
	 LECSB (Pulse input type)	●	●			●					LEC-MRC2
	 LECSB (Pulse input type)	●	●			●					LEC-MRC2
	 LECSB (Pulse input type)	●	●			●					LEC-MRC2
	 LECSB (Pulse input type)	●	●			●		●	●		LEC-MRC2
	 LECSB-T (Pulse input type/ Positioning type)	●	●			●			●	●	LEC-MRC2
	 LECSB-T (Pulse input type/ Positioning type)	●	●			●					LEC-MRC2
	 LECSB-T (Pulse input type/ Positioning type)	●	●			●					LEC-MRC2
	 LECSB-T (Pulse input type/ Positioning type)	●	●			●				●	LEC-MRC2
	 LECSB-T (Pulse input type/ Positioning type)	●	●			●		●	●	●	LEC-MRC2
 LECSB-T (Pulse input type/ Positioning type)	●	●			●		●	●		SigmaWin+™	
 LECSB-T (Pulse input type/ Positioning type)	●	●			●		●	●		SigmaWin+™	
 LECSB-T (Pulse input type/ Positioning type)	●	●			●		●	●	●	LEC-MRC2	
 LECSB-T (Pulse input type/ Positioning type)	●	●			●		●	●	●	LEC-MRC2	
 LECSB-T (Pulse input type/ Positioning type)	●	●			●		●	●	●	LEC-MRC2	
 LECSB-T (Pulse input type/ Positioning type)	●	●			●		●	●	●	LEC-MRC2	
 LECSB-T (Pulse input type/ Positioning type)	●	●			●		●	●	●	LEC-MRC2	
 LECSB-T (Pulse input type/ Positioning type)	●	●			●		●	●	●	LEC-MRC2	
 LECSB-T (Pulse input type/ Positioning type)	●	●			●		●	●	●	LEC-MRC2	

*1 For positioning types, the settings need to be changed in order to use the max. set values. Setup software (MR Configurator2™) LEC-MRC2 is required.

*2 Available when a Mitsubishi motion controller is used as upper level equipment

*3 Available when a motion controller is used as upper level equipment

*4 The LECSB2-T is only applicable when the control method is positioning. The point table is used to set the pushing operation settings.

To set the pushing operation settings, an additional dedicated file (pushing operation extension file) must be downloaded separately to be used with the setup software (MR Configurator2™: LEC-MRC2□). Please download this dedicated file from the SMC website: <https://www.smcworld.com>
 When selecting the LECSS or LECSS2-T, combine it with upper level equipment (such as the Simple Motion module manufactured by Mitsubishi Electric Corporation) which has a pushing operation function.

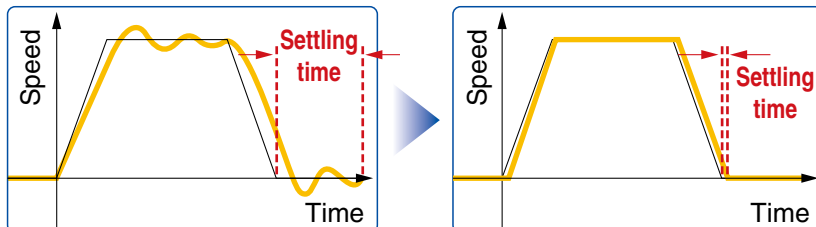
** For customer-provided PLC and motion controller setting and usage instructions, confirm with the retailer or manufacturer.

*5 Only supports PROFINET and EtherCAT®

Gain adjustment using auto tuning

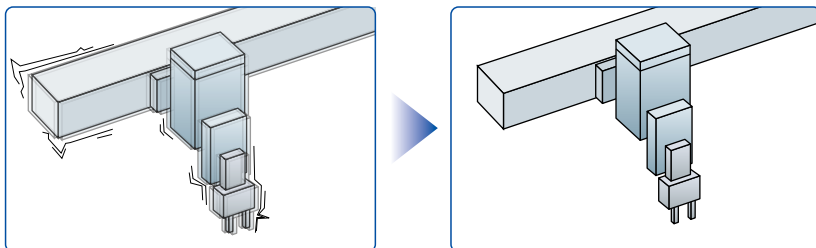
Auto-tuning function

- Controls the difference between the command value and the actual action



Vibration suppression control function

- Automatically suppresses low-frequency machine vibrations (1 to 100 Hz)



With display setting function

One-touch adjustment button

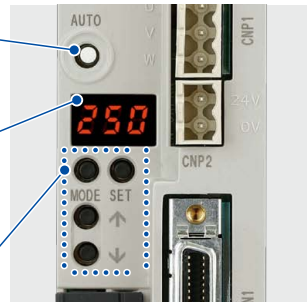
One-touch servo adjustment

Display

Display the monitor, parameters, and alarm.

Settings

Set the parameters, monitor display, etc., with push buttons.



LECSA

Display

Display the monitor, parameters, and alarm.

Settings

Set the parameters, monitor display, etc., with push buttons.



(With the front cover opened)

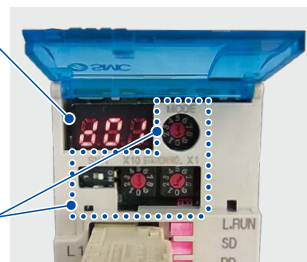
LECSB

Display

Display the communication status with the driver, the alarm, and the point table no.

Settings

Control the Baud rate, station number, and the occupied station count.



(With the front cover opened)

LECSB

Display

Display the communication status with the driver and the alarm.

Settings

Switches for selecting the axis and switching to the test operation



(With the front cover opened)

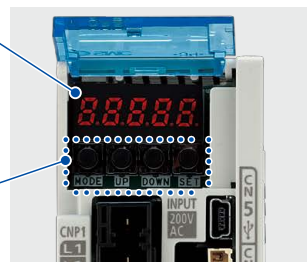
LECSB

Display

Display the monitor, parameters, and alarm.

Settings

Set the parameters, monitor display, etc., with push buttons.



(With the front cover opened)

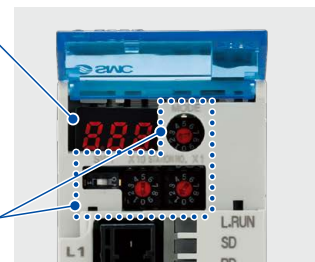
LECSB-T

Display

Display the communication status with the driver, the alarm, and the point table no.

Settings

Control the Baud rate, station number, and the occupied station count.



(With the front cover opened)

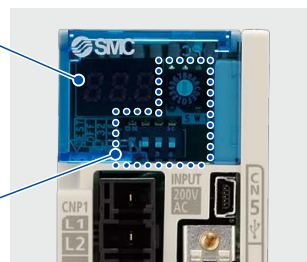
LECSB-T

Display

Display the communication status with the driver and the alarm.

Settings

Switches for axis setting, control axis deactivation, switching to the test operation, etc.



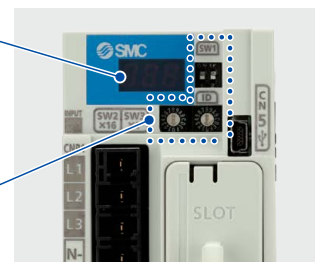
LECS2-T

Display

Display the communication status with the driver and the alarm.

Settings

Switches for axis setting, switching to the test operation, etc.



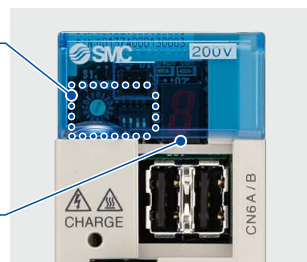
LECS-T

Settings

Switches for station address, communication speed, number of transmission bytes, etc.

Display

Display the driver status and alarm.



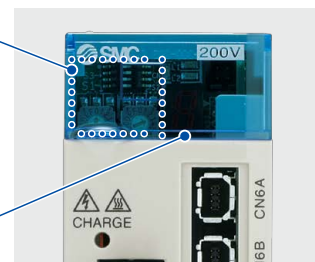
LECYM

Settings

Switches for station address, number of transmission bytes, etc.

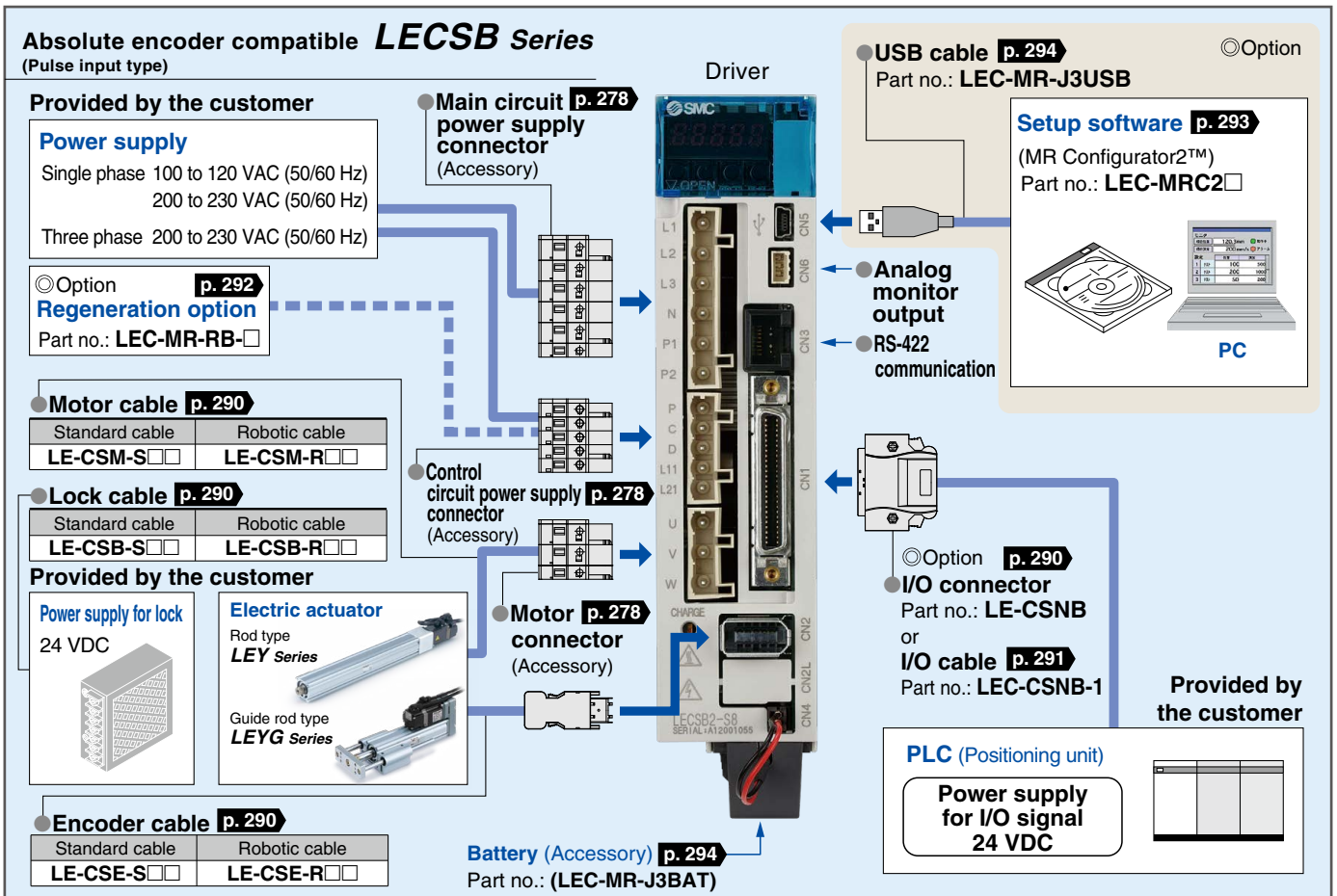
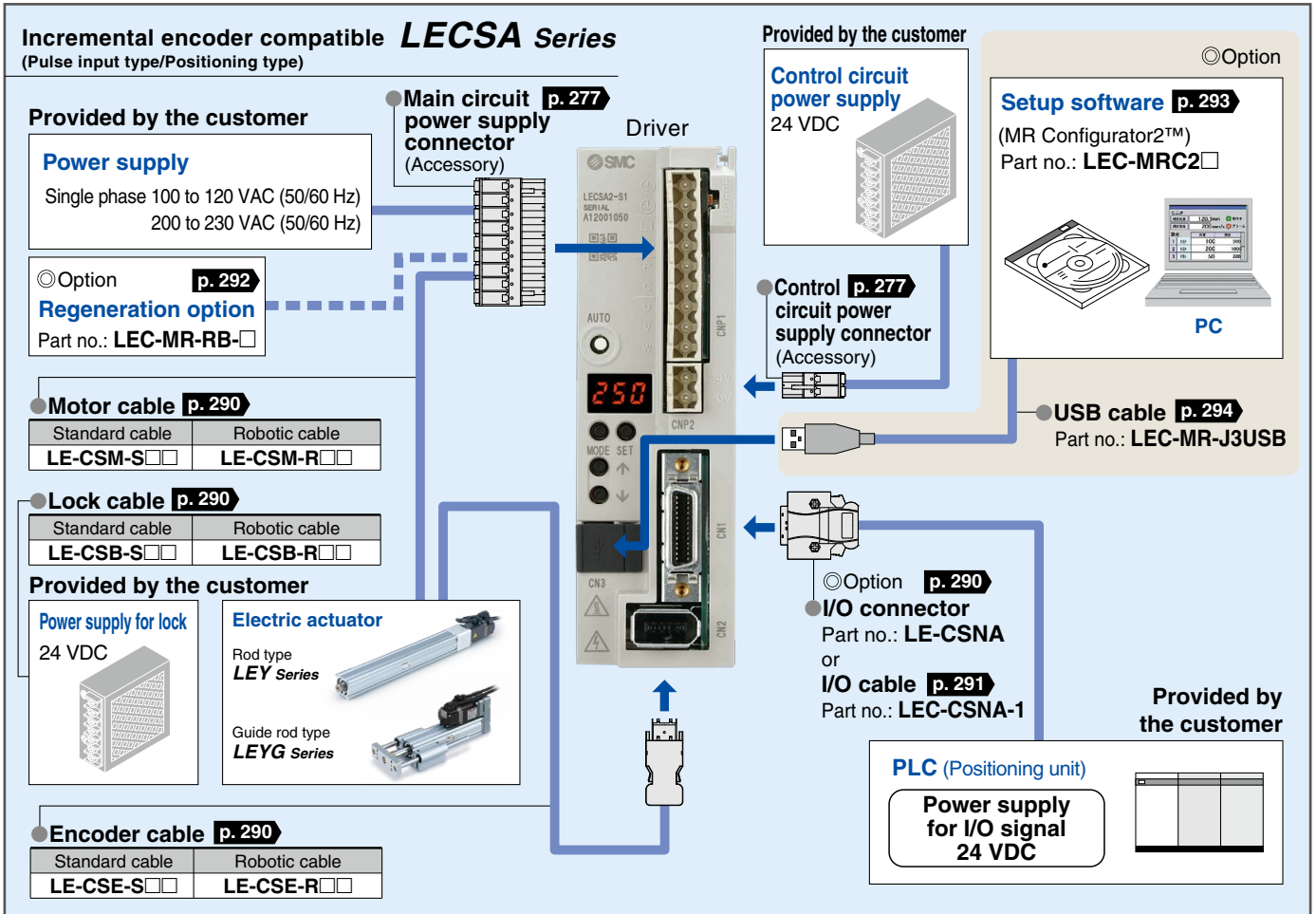
Display

Display the driver status and alarm.

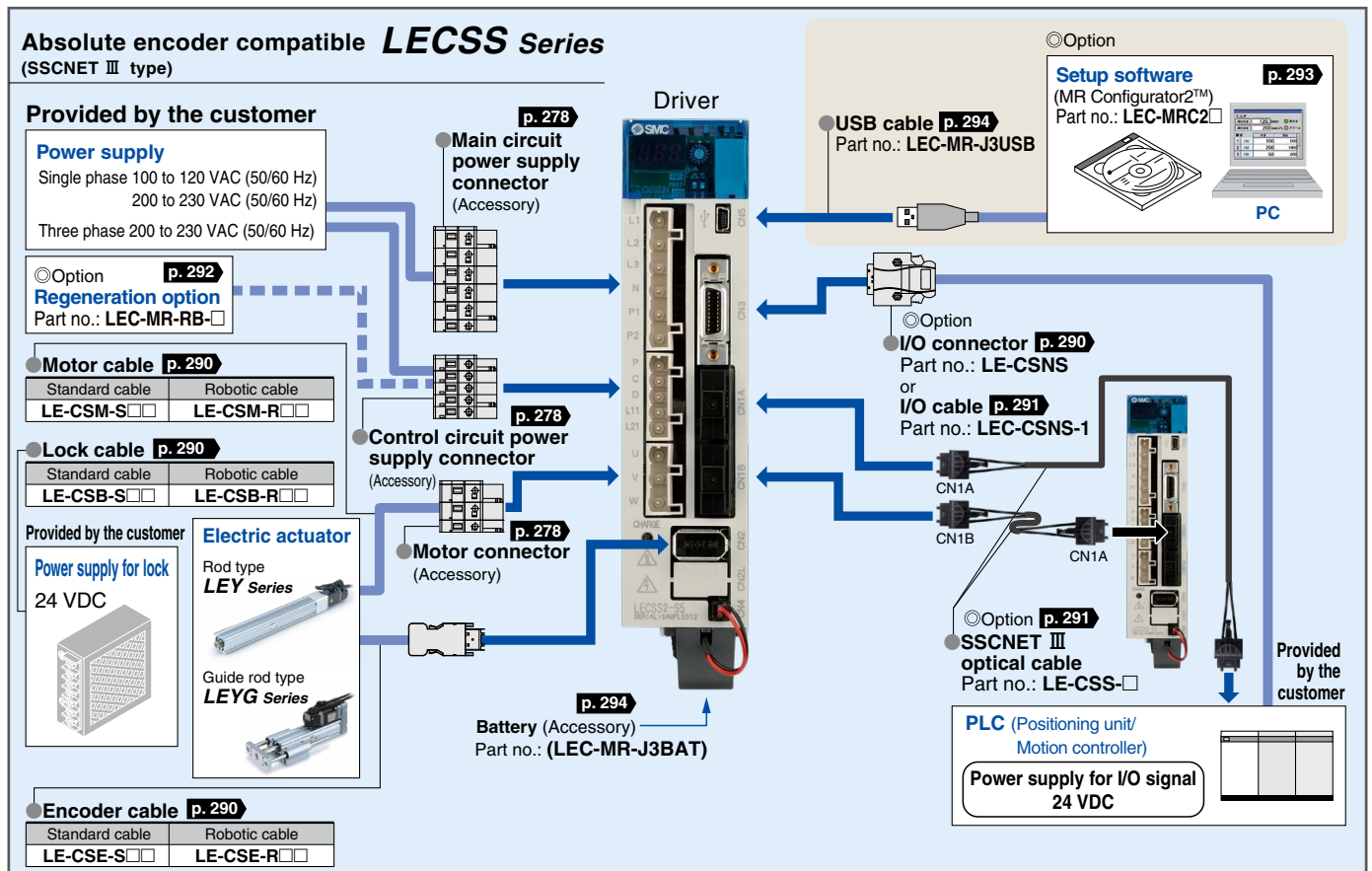
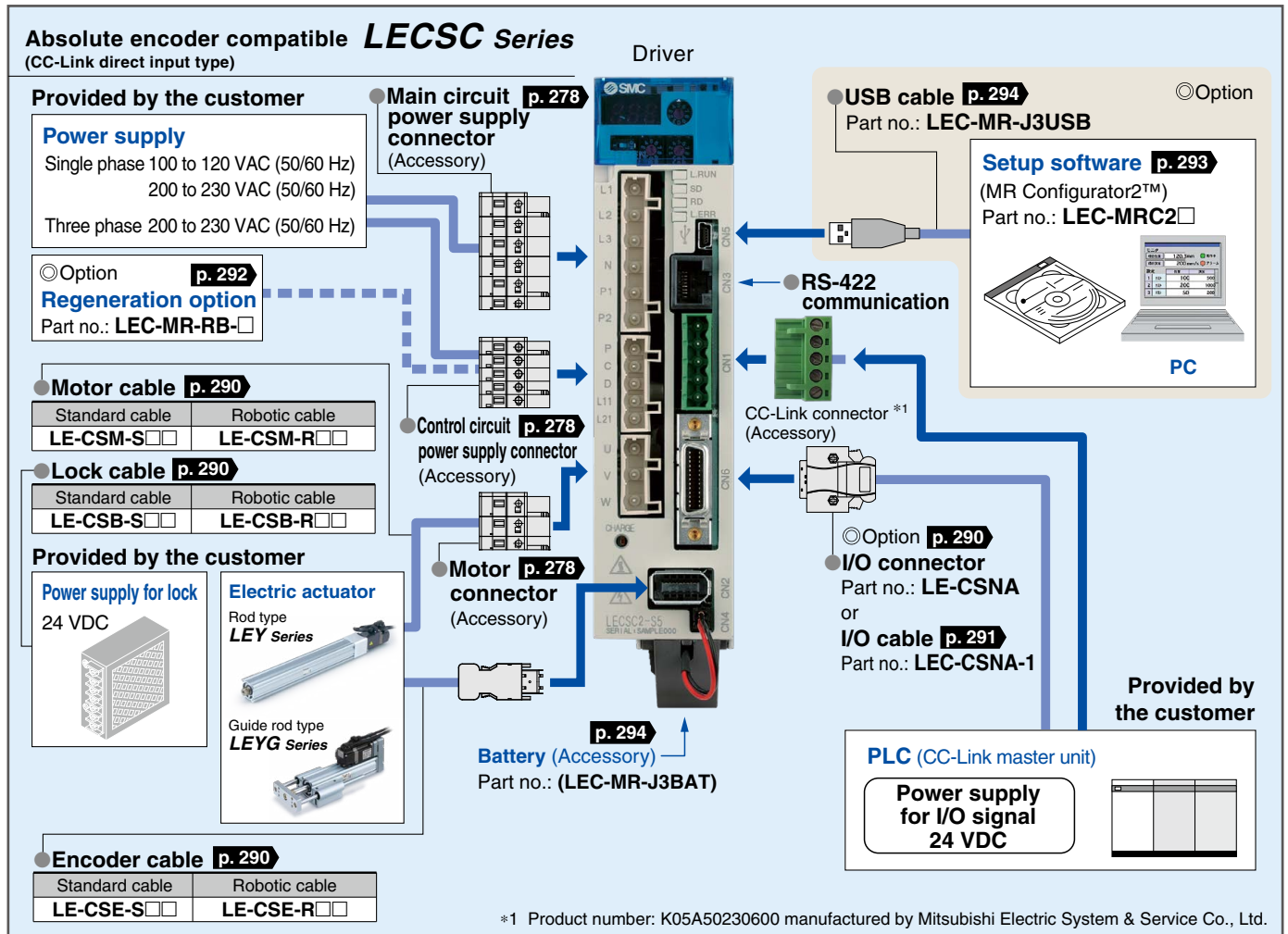


LECYU

System Construction



System Construction



System Construction

Absolute encoder compatible *LECSB-T Series*
(Pulse input type/Positioning type)

Provided by the customer

Power supply

Single phase 200 to 240 VAC (50/60 Hz)
Three phase 200 to 240 VAC (50/60 Hz)

Option

Regeneration option p. 292
Part no.: **LEC-MR-RB-□**

Motor cable p. 290

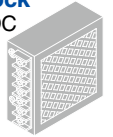
Standard cable	Robotic cable
LE-CSM-S□□	LE-CSM-R□□

Lock cable p. 290

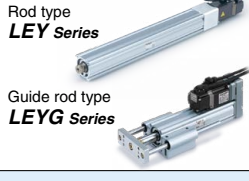
Standard cable	Robotic cable
LE-CSB-S□□	LE-CSB-R□□

Provided by the customer

Power supply for lock
24 VDC



Electric actuator



Encoder cable p. 290

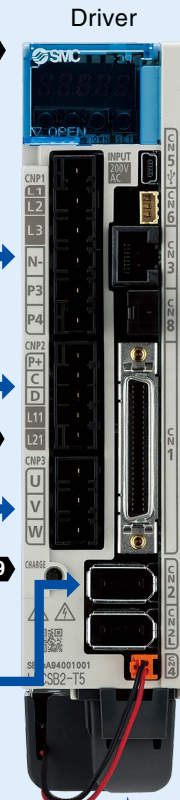
Standard cable	Robotic cable
LE-CSE-S□□	LE-CSE-R□□

Main circuit power supply connector (Accessory) p. 279

Control circuit power supply connector (Accessory) p. 279

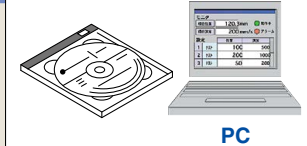
Motor connector (Accessory) p. 279

Battery (Accessory) p. 294
Part no.: **(LEC-MR-BAT6V1SET)**



USB cable p. 294 Part no.: **LEC-MR-J3USB** Option

Setup software p. 293
(MR Configurator2™)
Part no.: **LEC-MRC2□**



Analog monitor output
RS-422 communication

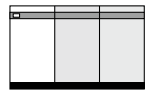
Option
STO cable (3 m) p. 294
Part no.: **LEC-MR-D05UDL3M**

Option
I/O connector p. 290 Part no.: **LE-CSNB**
or
I/O cable p. 291 Part no.: **LEC-CSNB-1**

Provided by the customer

PLC (Positioning unit)

Power supply for I/O signal
24 VDC



* The LECSB2-T□ cannot be used with the LEC-MR-SETUP221□. Part no.: **(LEC-MR-BAT6V1SET)**

Absolute encoder compatible *LECSC-T Series*
(CC-Link direct input type)

Provided by the customer

Power supply

Single phase 200 to 230 VAC (50/60 Hz)
Three phase 200 to 230 VAC (50/60 Hz)

Option

Regeneration option p. 292
Part no.: **LEC-MR-RB-□**

Motor cable p. 290

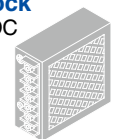
Standard cable	Robotic cable
LE-CSM-S□□	LE-CSM-R□□

Lock cable p. 290

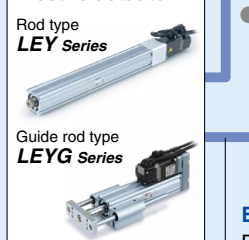
Standard cable	Robotic cable
LE-CSB-S□□	LE-CSB-R□□

Provided by the customer

Power supply for lock
24 VDC



Electric actuator



Encoder cable p. 290

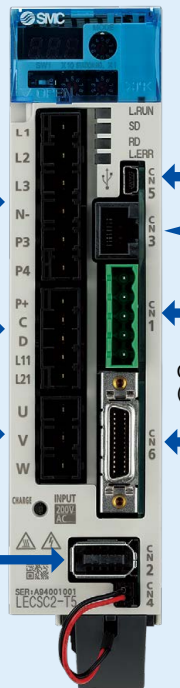
Standard cable	Robotic cable
LE-CSE-S□□	LE-CSE-R□□

Main circuit power supply connector (Accessory) p. 280

Control circuit power supply connector (Accessory) p. 280

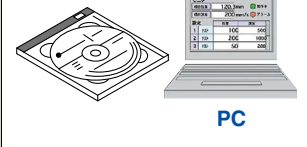
Motor connector (Accessory) p. 280

Battery (Accessory) p. 294
Part no.: **(LEC-MR-J3BAT)**



USB cable p. 294 Part no.: **LEC-MR-J3USB** Option

Setup software p. 293
(MR Configurator2™)
Part no.: **LEC-MRC2□**



RS-422 communication

CC-Link connector*1 (Accessory)

Option
I/O connector p. 290 Part no.: **LE-CSNA**
or
I/O cable p. 291 Part no.: **LEC-CSNA-1**

Provided by the customer

PLC (CC-Link master unit)

Power supply for I/O signal
24 VDC



* The LECSC2-T□ cannot be used with the LEC-MR-SETUP221□.

*1 Product number: K05A50230600 manufactured by Mitsubishi Electric System & Service Co., Ltd.

System Construction

Absolute encoder compatible **LECSN-T Series** (Network card type)

Provided by the customer

Power supply

Single phase 200 to 240 VAC (50/60 Hz)
Three phase 200 to 240 VAC (50/60 Hz)

Option **p. 292**
Regeneration option
Part no.: **LEC-MR-RB-□**

Motor cable p. 290

Standard cable	Robotic cable
LE-CSM-S□□	LE-CSM-R□□

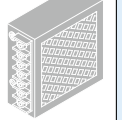
Lock cable p. 290

Standard cable	Robotic cable
LE-CSB-S□□	LE-CSB-R□□

Provided by the customer

Power supply for lock

24 VDC



Electric actuator

Rod type
LEY Series

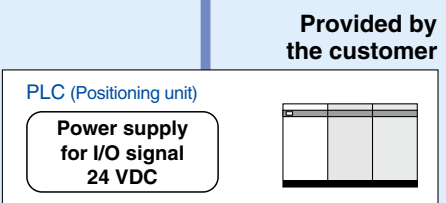
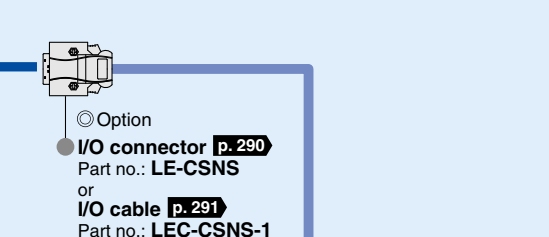
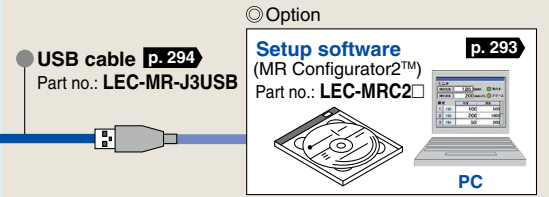
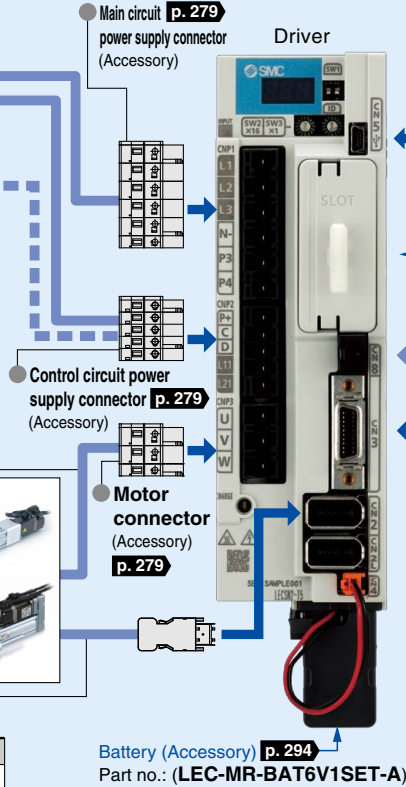


Guide rod type
LEYG Series



Encoder cable p. 290

Standard cable	Robotic cable
LE-CSE-S□□	LE-CSE-R□□



* The LECSN2-T□ cannot be used with the LEC-MR-SETUP221□.

Absolute encoder compatible **LECSS-T Series**



Provided by the customer

Power supply

Single phase 200 to 240 VAC (50/60 Hz)
Three phase 200 to 240 VAC (50/60 Hz)

Option **p. 292**
Regeneration option
Part no.: **LEC-MR-RB-□**

Motor cable p. 290

Standard cable	Robotic cable
LE-CSM-S□□	LE-CSM-R□□

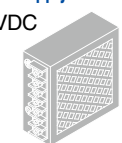
Lock cable p. 290

Standard cable	Robotic cable
LE-CSB-S□□	LE-CSB-R□□

Provided by the customer

Power supply for lock

24 VDC



Electric actuator

Rod type
LEY Series

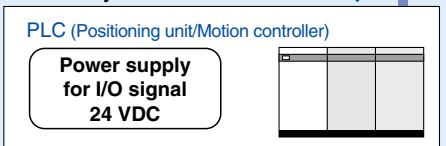
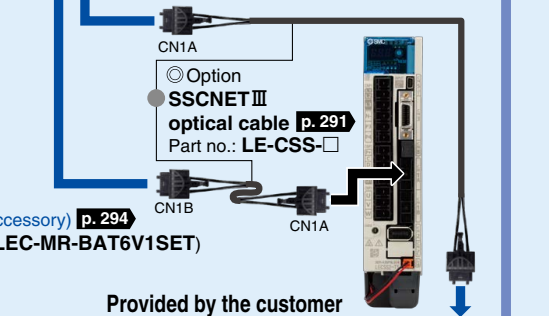
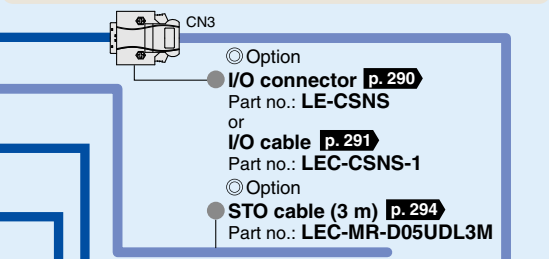
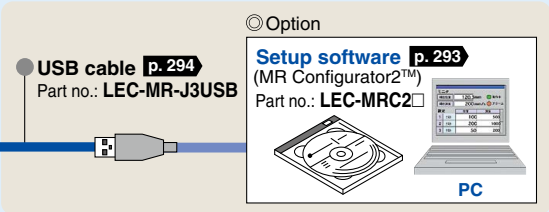
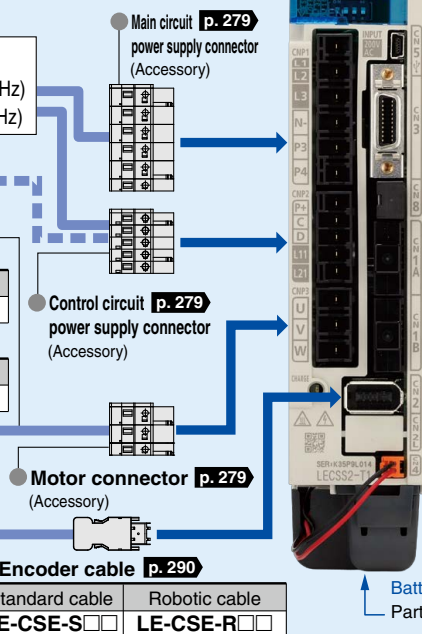


Guide rod type
LEYG Series



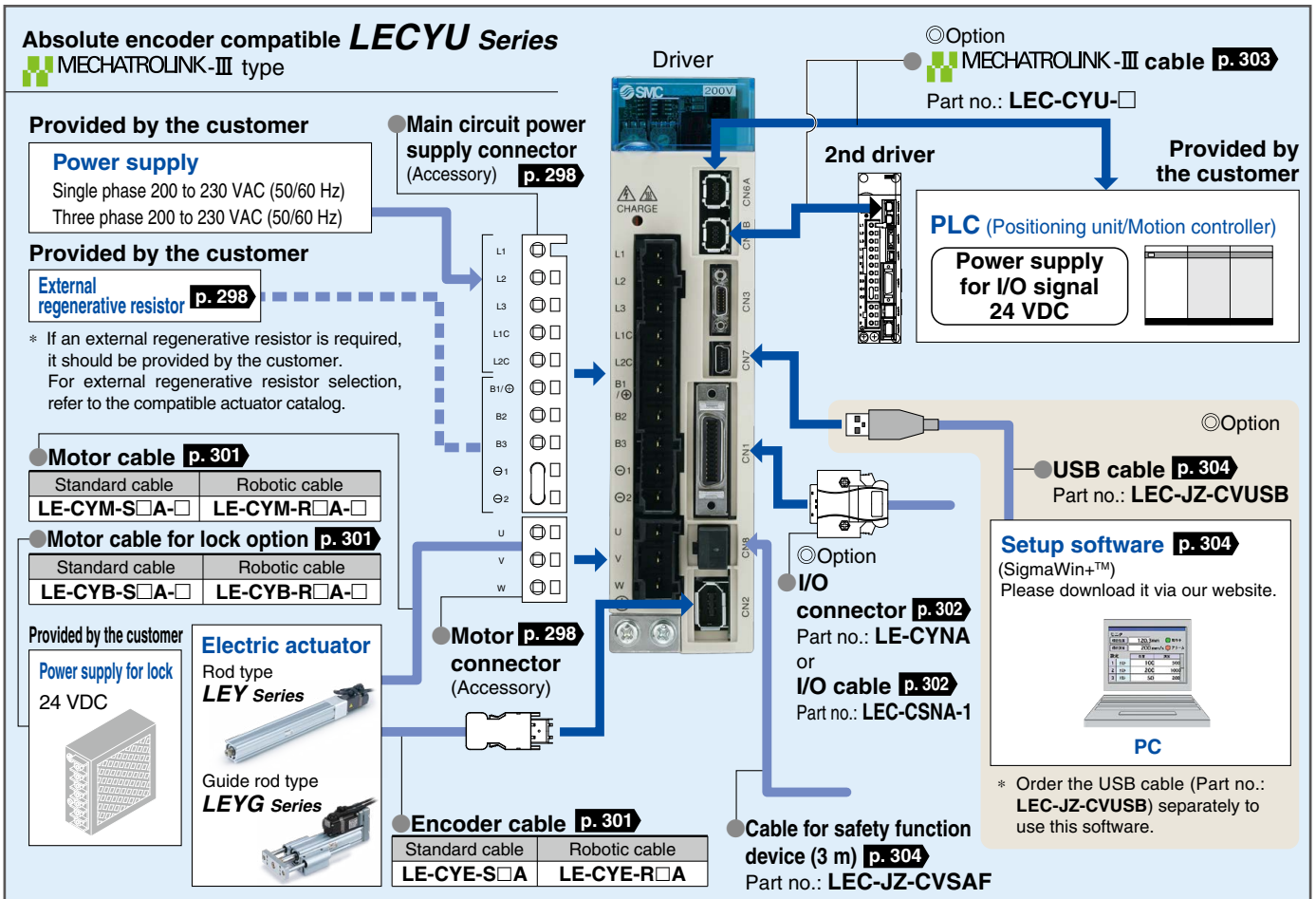
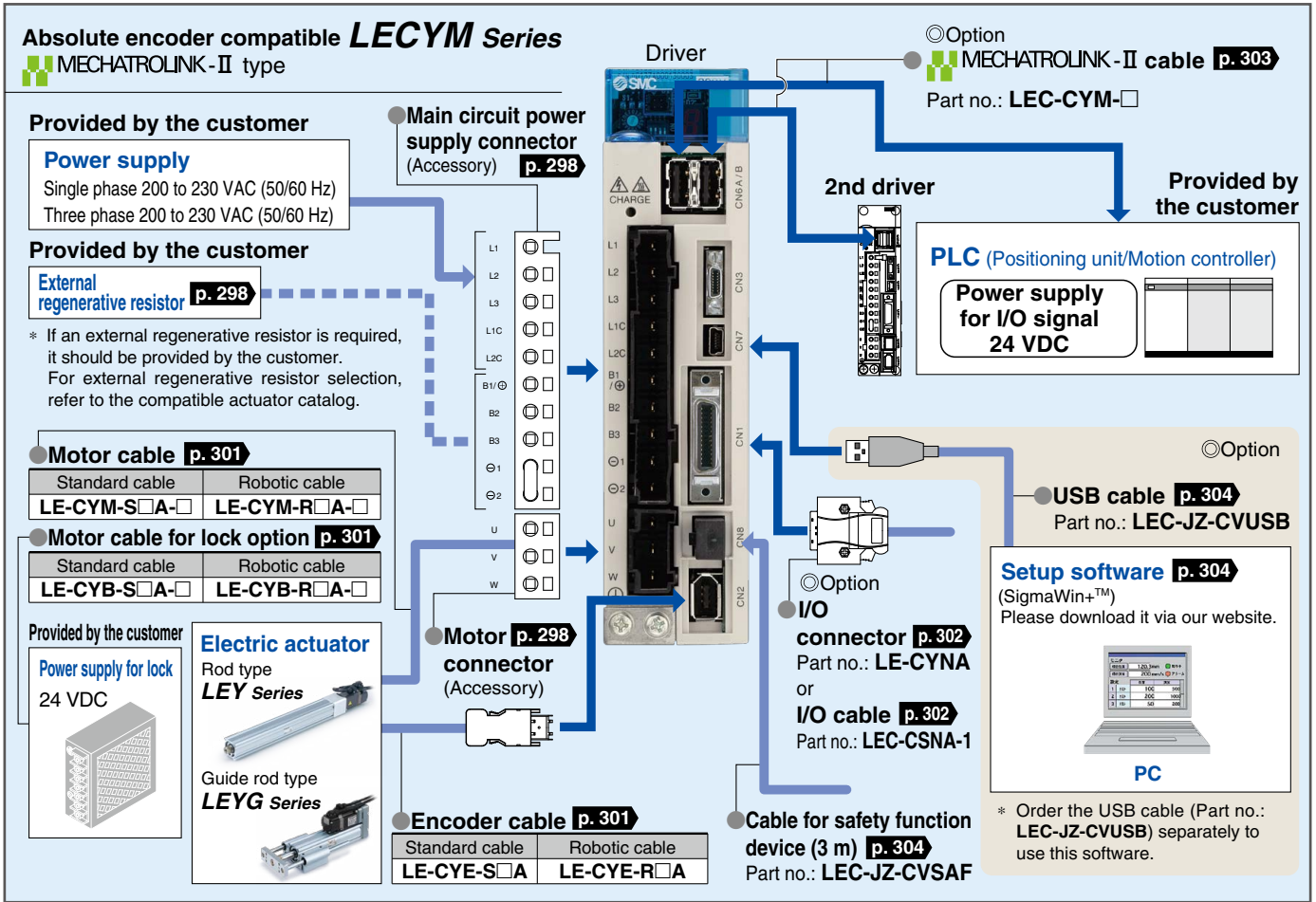
Encoder cable p. 290

Standard cable	Robotic cable
LE-CSE-S□□	LE-CSE-R□□



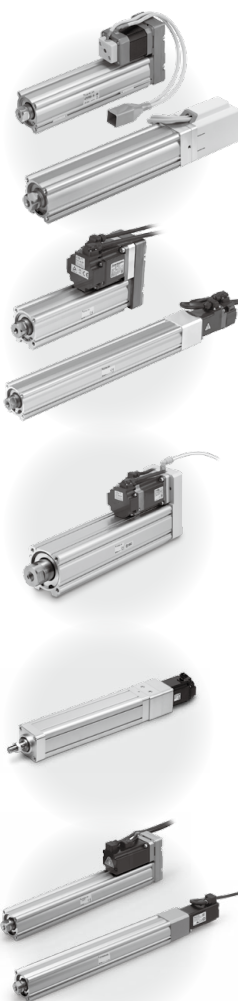
* The LECSS2-T□ cannot be used with the LEC-MR-SETUP221□.

System Construction



CONTENTS

Electric Actuators / Rod Type *LEY* Series



Step Motor (Servo/24 VDC) Servo Motor (24 VDC)

◎ Rod Type *LEY* Series

Model Selection	p. 35
How to Order	p. 55
Specifications	p. 59
Construction	p. 61
Dimensions	p. 63

AC Servo Motor

LECS□ Series

◎ Rod Type *LEY* Series

Size 25, 32

Model Selection	p. 41
How to Order	p. 69
Specifications	p. 71
Construction	p. 73
Dimensions	p. 74

◎ Rod Type *LEY* Series

Size 63

Dust-tight/Water-jet-proof (IP65 Equivalent) * Option

Model Selection	p. 41
How to Order	p. 79
Specifications	p. 80
Construction	p. 81
Dimensions	p. 82

◎ Rod Type *LEY* Series

Size 100

Model Selection	p. 41
How to Order	p. 86
Specifications	p. 87
Construction	p. 88
Dimensions	p. 89

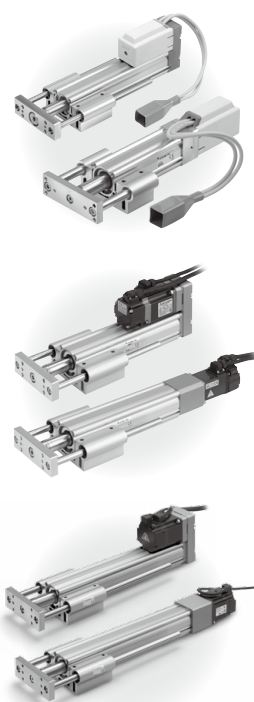
LECY□ Series

◎ Rod Type *LEY* Series

Model Selection	p. 49
How to Order	p. 91
Specifications	p. 93
Construction	p. 95
Dimensions	p. 96

Accessory Mounting Brackets	p. 101
Auto Switch	p. 104

Electric Actuators / Guide Rod Type *LEYG* Series



Step Motor (Servo/24 VDC) Servo Motor (24 VDC)

◎ Guide Rod Type *LEYG* Series

Model Selection	p. 109
How to Order	p. 125
Specifications	p. 129
Construction	p. 131
Dimensions	p. 133
Support Block	p. 137

AC Servo Motor

LECS□ Series

◎ Guide Rod Type *LEYG* Series

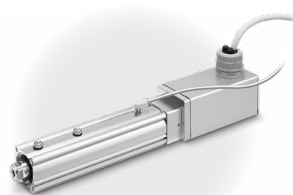
Model Selection	p. 115
How to Order	p. 139
Specifications	p. 141
Construction	p. 142
Dimensions	p. 143
Support Block	p. 145

LECY□ Series

◎ Guide Rod Type *LEYG* Series

Model Selection	p. 120
How to Order	p. 147
Specifications	p. 149
Construction	p. 150
Dimensions	p. 151
Support Block	p. 153

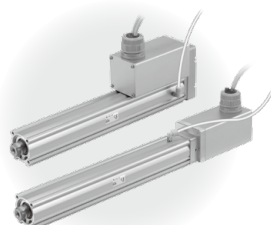
Environment



Step Motor (Servo/24 VDC) Servo Motor (24 VDC)

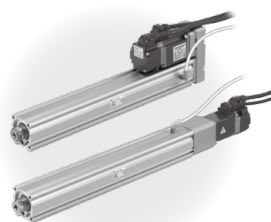
⊙ **Rod Type LEY-X7 (Made to Order)** **Dust-tight/Water-jet-proof (IP65 Equivalent/IP67 Equivalent)**

Model Selection	p. 155
How to Order	p. 163
Specifications	p. 166
Construction	p. 168
Dimensions	p. 169
Auto Switch	p. 170



⊙ **Rod Type LEY-X5 (Made to Order)** **Dust-tight/Water-jet-proof (IP65 Equivalent)**

Model Selection	p. 160
How to Order	p. 173
Specifications	p. 176
Construction	p. 178
Dimensions	p. 179

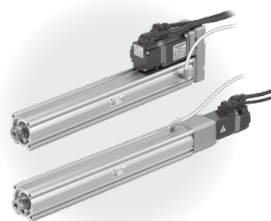


AC Servo Motor

LECS□ Series

⊙ **Rod Type LEY-X5 (Made to Order)** **Dust-tight/Water-jet-proof (IP65 Equivalent)**

Model Selection	p. 41
How to Order	p. 181
Specifications	p. 183
Construction	p. 184
Dimensions	p. 185



LECY□ Series

⊙ **Rod Type LEY-X5 (Made to Order)** **Dust-tight/Water-jet-proof (IP65 Equivalent)**

Model Selection	p. 49
How to Order	p. 187
Specifications	p. 189
Dimensions	p. 190
Auto Switch	p. 192

Step Motor (Servo/24 VDC) Servo Motor (24 VDC) AC Servo Motor

⊙ **Rod Type 25A-LEY** **Secondary Battery Compatible**

Model Selection	pp. 35, 41, 49
How to Order	pp. 195, 199, 201
Auto Switch	p. 203

Specific Product Precautions..... p. 204

⊙ **Step Motor (Servo/24 VDC)/ Servo Motor (24 VDC) Controller/Driver**

Step Data Input Type/ JXC51/61 Series	p. 211
Step Data Input Type/ LECA6 Series	p. 218
Gateway Unit/ LEC-G Series	p. 225
Programless Controller/ LECP1 Series	p. 229
Pulse Input Type/ LECPA Series	p. 235
EtherCAT®/EtherNet/IP™/PROFINET/DeviceNet™/IO-Link/ CC-Link Direct Input Type/ JXCE1/91/P1/D1/L1/M1 Series	p. 241



⊙ **3-Axis Step Motor Controller**

EtherNet/IP™ Type/ JXC92 Series	p. 247
--	--------



⊙ **4-Axis Step Motor (Servo/24 VDC) Controller**

Parallel I/O Type/ JXC73/83 Series	p. 249
EtherNet/IP™ Type/ JXC93 Series	p. 249



Actuator Cable	p. 258
Communication Cable for Controller Setting/ LEC-W2A-□	p. 260
Teaching Box/ LEC-T1	p. 261

⊙ **AC Servo Motor Driver**

LECSA/LECSB/LECS/LECSS Series	p. 269
LECSB-T/LECS-T/LECSN-T/LECS-T Series	p. 269
LECYM/LECYU Series	p. 295



CE/UL-compliance List..... p. 307

Rod Type

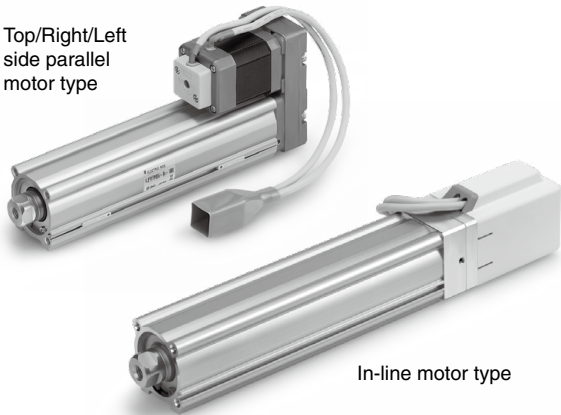
LEY Series

Step Motor (Servo/24 VDC)

Servo Motor (24 VDC)

p. 55

Top/Right/Left side parallel motor type

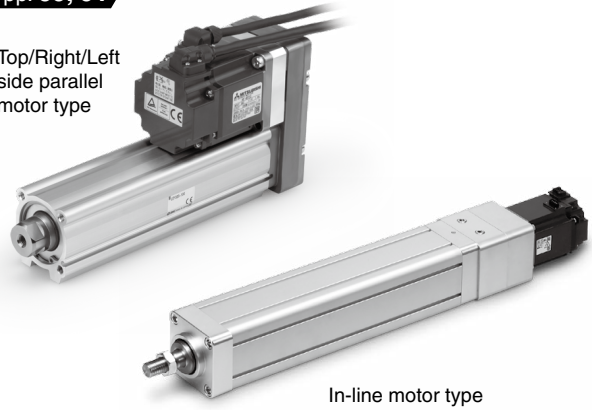


In-line motor type

AC Servo Motor

pp. 69, 91

Top/Right/Left side parallel motor type



In-line motor type

Environment

Step Motor (Servo/24 VDC)

Servo Motor (24 VDC)

Dust-tight/Water-jet-proof (IP65 Equivalent/IP67 Equivalent)

Dust-tight/Water-jet-proof (IP65 Equivalent)

LEY-X7 (Made to Order)

LEY-X5 (Made to Order)

pp. 163, 173

In-line motor type



In-line motor type

Secondary Battery Compatible

25A-LEY

p. 195

Top/Right/Left side parallel motor type



In-line motor type

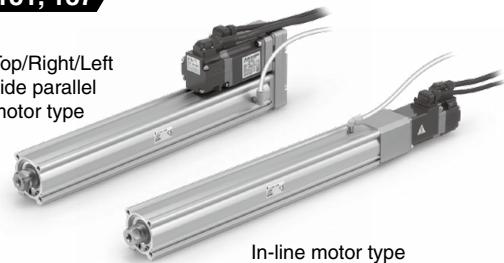
AC Servo Motor

Dust-tight/Water-jet-proof (IP65 Equivalent)

LEY25/32-X5 (Made to Order)

pp. 181, 187

Top/Right/Left side parallel motor type



In-line motor type

LEY63□□□□-□P (Option)

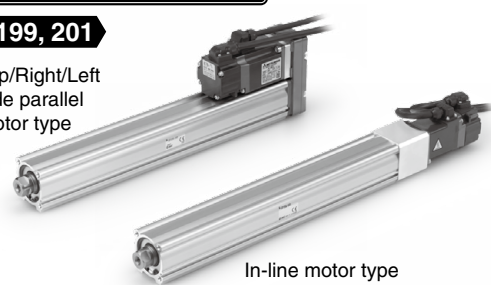
p. 79

Secondary Battery Compatible

25A-LEY

pp. 199, 201

Top/Right/Left side parallel motor type



In-line motor type

Step Motor/Servo Motor Controller/Driver p. 210

AC Servo Motor Driver p. 264

Model Selection



LEY Series ▶ p. 55

LEY-X7 Series ▶ p. 155

LEY-X5 Series ▶ p. 160

25A-LEY Series ▶ p. 195

Selection Procedure

Positioning Control Selection Procedure

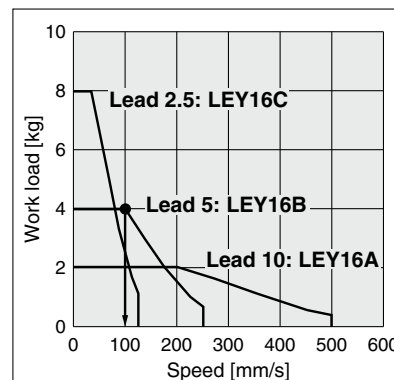
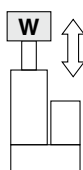
Step 1 Check the work load–speed.
(Vertical transfer)

Step 2 Check the cycle time.

Selection Example

Operating conditions

- Workpiece mass: 4 [kg]
- Speed: 100 [mm/s]
- Acceleration/Deceleration: 3000 [mm/s²]
- Stroke: 200 [mm]
- Workpiece mounting condition: Vertical upward downward transfer



<Speed-Vertical work load graph>
(LEY16/Step motor)

Step 1 Check the work load–speed. <Speed-Vertical work load graph>

Select a model based on the workpiece mass and speed while referencing the speed-vertical work load graph.

Selection example) The **LEY16B** can be temporarily selected as a possible candidate based on the graph shown on the right side.

* It is necessary to mount a guide outside the actuator when used for horizontal transfer. When selecting the target model, refer to the horizontal work load in the specifications on pages 59 and 60 and the precautions.

Step 2 Check the cycle time.

Calculate the cycle time using the following calculation method.

Cycle time:

T can be found from the following equation.

$$T = T1 + T2 + T3 + T4 \text{ [s]}$$

- T1: Acceleration time and T3: Deceleration time can be found by the following equation.

$$T1 = V/a1 \text{ [s]}$$

$$T3 = V/a2 \text{ [s]}$$

- T2: Constant speed time can be found from the following equation.

$$T2 = \frac{L - 0.5 \cdot V \cdot (T1 + T3)}{V} \text{ [s]}$$

- T4: Settling time varies depending on the conditions such as motor types, load and in position of the step data. Therefore, calculate the settling time while referencing the following value.

$$T4 = 0.2 \text{ [s]}$$

Calculation example)

T1 to T4 can be calculated as follows.

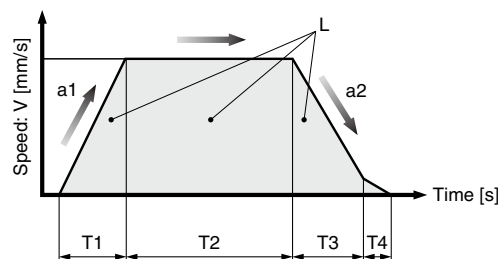
$$T1 = V/a1 = 100/3000 = 0.033 \text{ [s]}, T3 = V/a2 = 100/3000 = 0.033 \text{ [s]}$$

$$T2 = \frac{L - 0.5 \cdot V \cdot (T1 + T3)}{V} = \frac{200 - 0.5 \cdot 100 \cdot (0.033 + 0.033)}{100} = 1.97 \text{ [s]}$$

$$T4 = 0.2 \text{ [s]}$$

The cycle time can be found as follows.

$$T = T1 + T2 + T3 + T4 = 0.033 + 1.967 + 0.033 + 0.2 = 2.233 \text{ [s]}$$



- L : Stroke [mm] ... (Operating condition)
- V : Speed [mm/s] ... (Operating condition)
- a1: Acceleration [mm/s²] ... (Operating condition)
- a2: Deceleration [mm/s²] ... (Operating condition)

- T1: Acceleration time [s] ... Time until reaching the set speed
- T2: Constant speed time [s] ... Time while the actuator is operating at a constant speed
- T3: Deceleration time [s] ... Time from the beginning of the constant speed operation to stop
- T4: Settling time [s] ... Time until positioning is completed

Based on the above calculation result, the **LEY16B-200** should be selected.

Selection Procedure

Pushing Control Selection Procedure

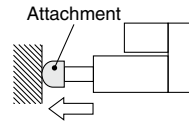


* The duty ratio is a ratio of the operation time in one cycle.

Selection Example

Operating conditions

- Mounting condition: Horizontal (pushing)
- Attachment weight: 0.2 [kg]
- Pushing force: 60 [N]
- Duty ratio: 20 [%]
- Speed: 100 [mm/s]
- Stroke: 200 [mm]



Step 1 Check the duty ratio.

<Conversion table of pushing force–duty ratio>

Select the [Pushing force] from the duty ratio while referencing the conversion table of pushing force–duty ratio.

Selection example)

Based on the table below,

- Duty ratio: 20 [%]

The pushing force set value will be 70 [%].

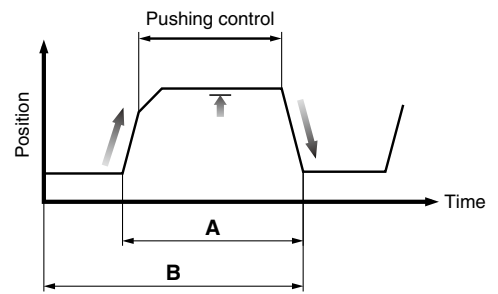
<Conversion table of pushing force–duty ratio>

(LEY16/Step motor)

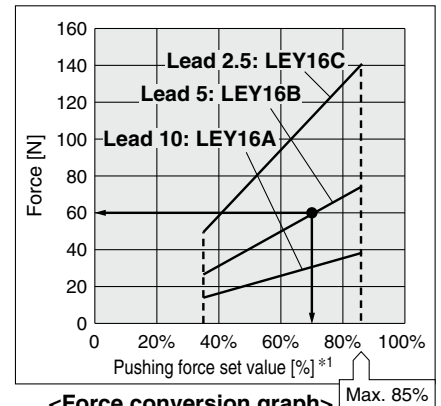
Pushing force set value [%]	Duty ratio [%]	Continuous pushing time [min]
40 or less	100	—
50	70	12 or less
70	20	1.3 or less
85	15	0.8 or less

* [Pushing force set value] is one of the step data input to the controller.

* [Continuous pushing time] is the time that the actuator can continuously keep pushing.



$$\text{Duty ratio} = A/B \times 100 [\%]$$



<Force conversion graph> (LEY16/Step motor)

*1 Set values for the controller

Step 2 Check the pushing force.

<Force conversion graph>

Select a model based on the pushing force set value and force while referencing the force conversion graph.

Selection example)

Based on the graph shown on the right side,

- Pushing force set value: 70 [%]

- Pushing force: 60 [N]

The LEY16B can be temporarily selected as a possible candidate.

Step 3 Check the lateral load on the rod end.

<Graph of allowable lateral load on the rod end>

Confirm the allowable lateral load on the rod end of the actuator: LEY16□, which has been selected temporarily while referencing the graph of allowable lateral load on the rod end.

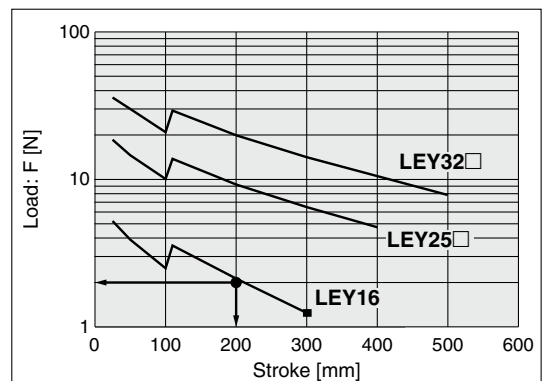
Selection example)

Based on the graph shown on the right side,

- Attachment weight: 0.2 [kg] ≈ 2 [N]

- Product stroke: 200 [mm]

The lateral load on the rod end is in the allowable range.



<Graph of allowable lateral load on the rod end>

Based on the above calculation result, the LEY16B-200 should be selected.

Model Selection

LEY

LEYG

LEY

LEY

LEYG

LEY-X7

LEY-X5

25A-LEY

JXC51/61

LECA6

LEC-G

LECP1

LECPA

JXC□

LECS□

LECY□

Specific Product Precautions

LEY/25A-LEY Series

Step Motor (Servo/24 VDC)


Servo Motor (24 VDC)

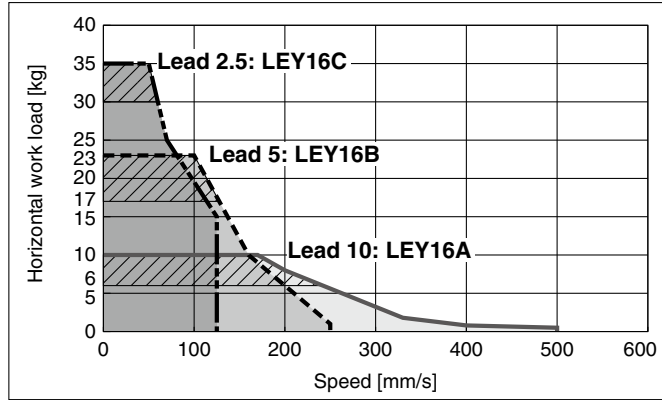
Secondary Battery Compatible


Refer to page 38 for the LECPA, JXC□₂³ and page 39 for the LECA6.

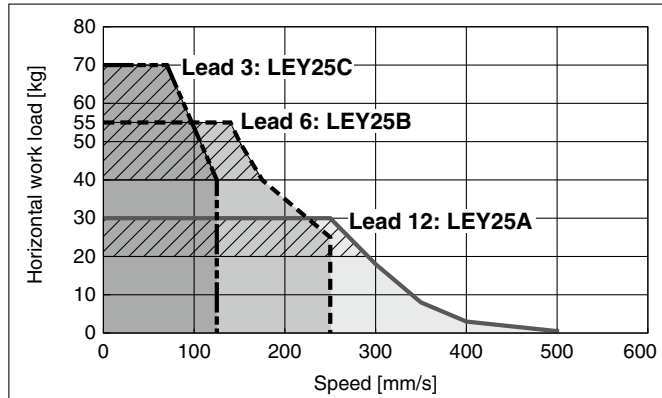
Speed-Work Load Graph (Guide) For Step Motor (Servo/24 VDC) JXC□1, LECP1


Horizontal

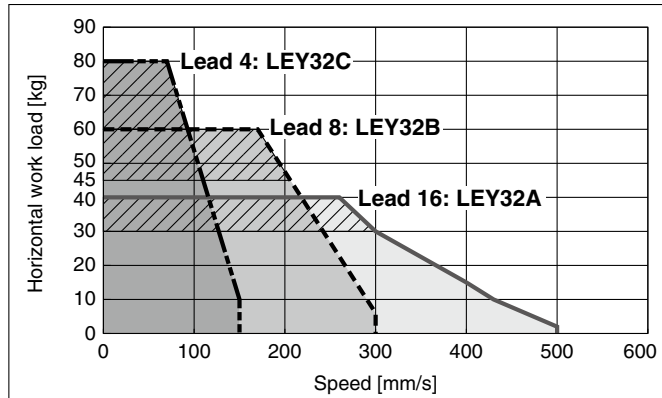
LEY16□  for acceleration/deceleration: 2000 mm/s²

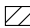


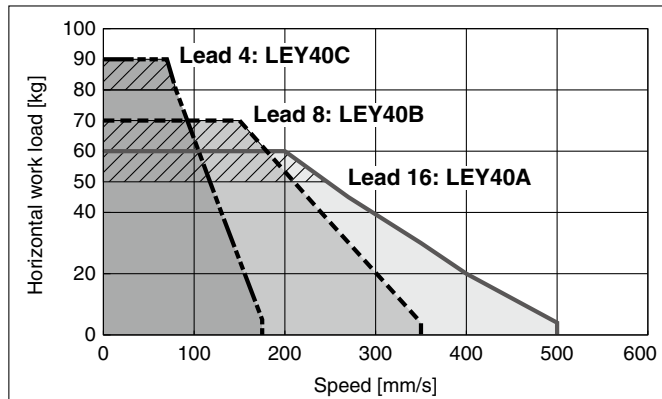
LEY25□  for acceleration/deceleration: 2000 mm/s²



LEY32□  for acceleration/deceleration: 2000 mm/s²

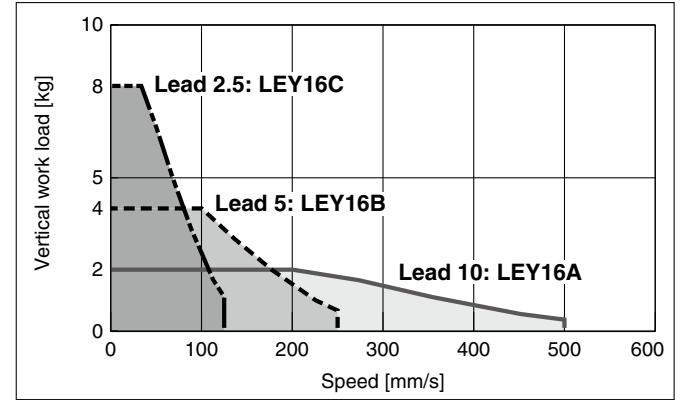


LEY40□  for acceleration/deceleration: 2000 mm/s²

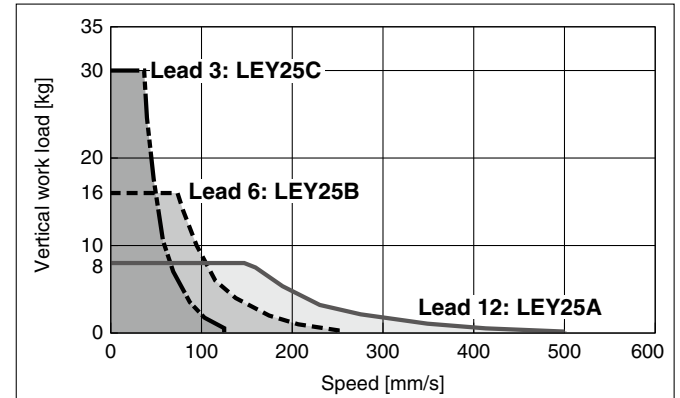


Vertical

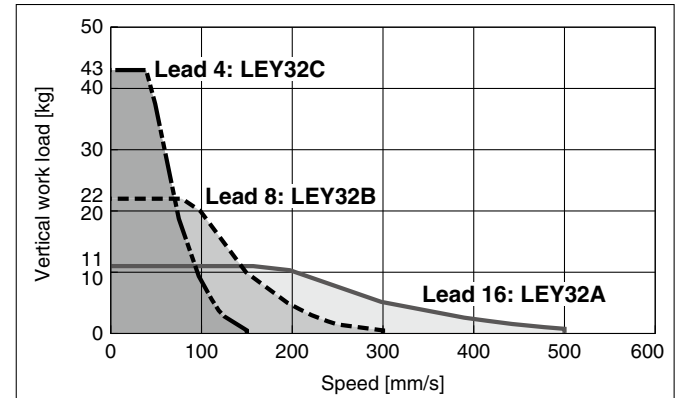
LEY16□



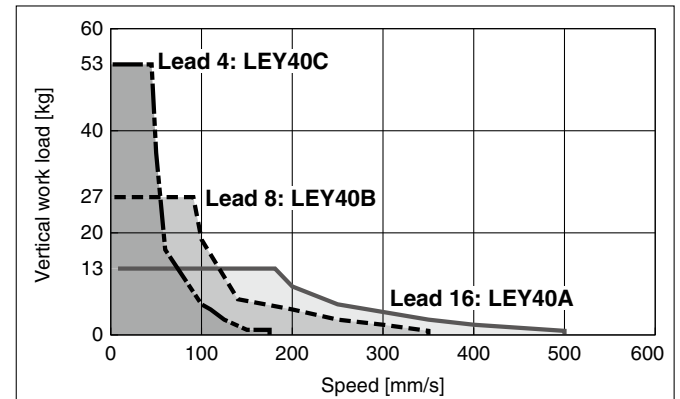
LEY25□



LEY32□



LEY40□

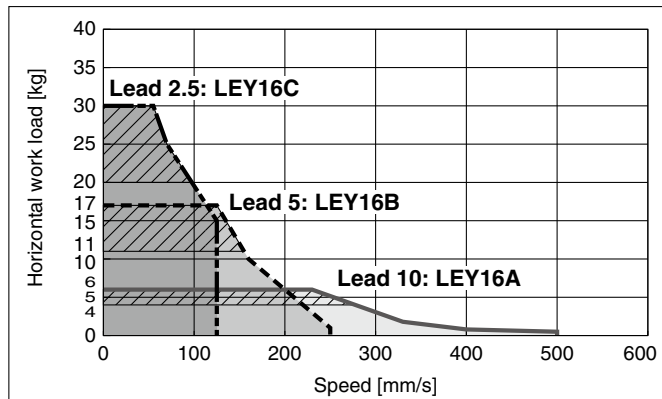


Refer to page 37 for the JXC□1, LEC□1 and page 39 for the LECA6.

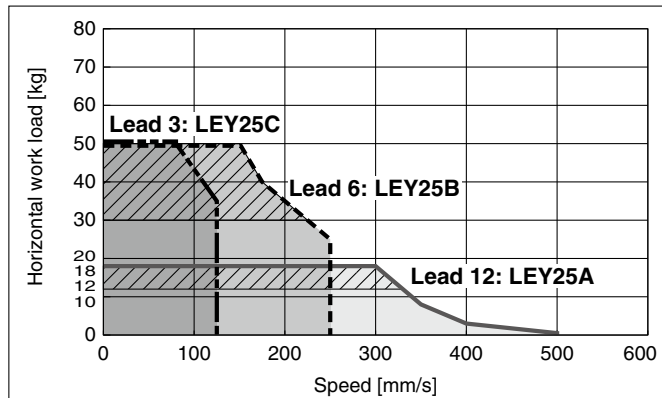
Speed-Work Load Graph (Guide) For Step Motor (Servo/24 VDC) LEC□1, JXC□1, JXC□2, JXC□3

Horizontal

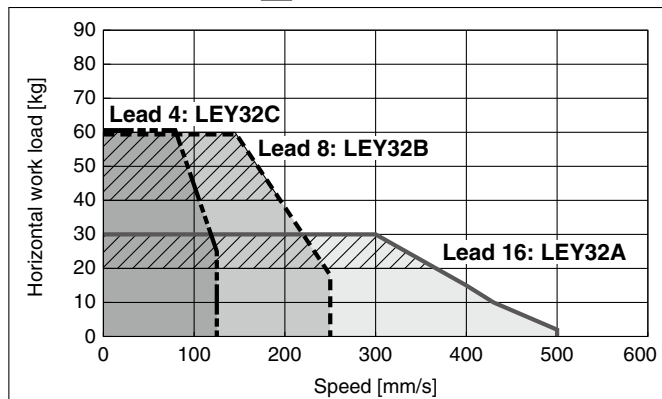
LEY16□ for acceleration/deceleration: 2000 mm/s²



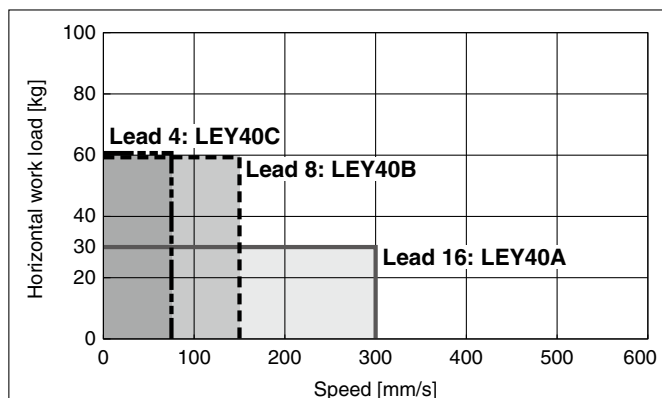
LEY25□ for acceleration/deceleration: 2000 mm/s²



LEY32□ for acceleration/deceleration: 2000 mm/s²

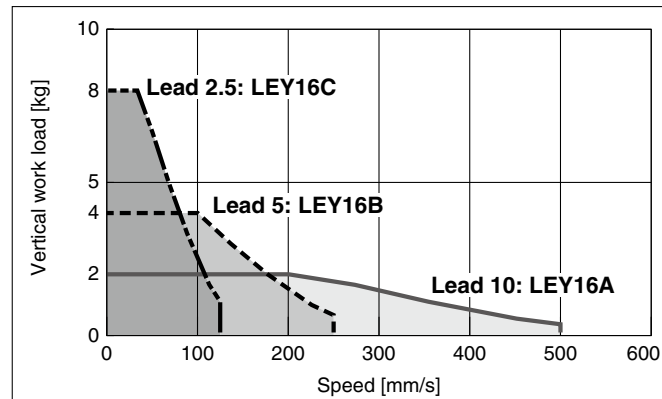


LEY40□

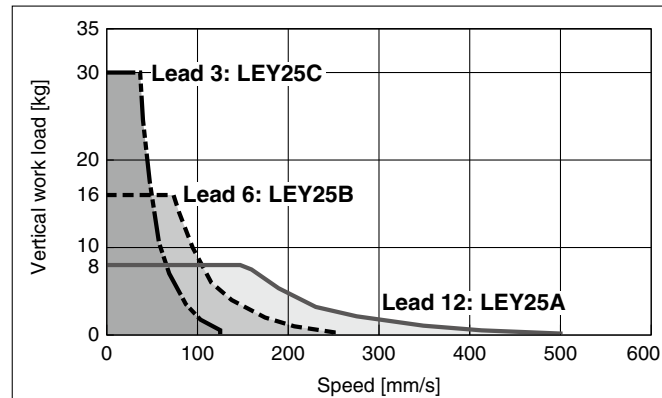


Vertical

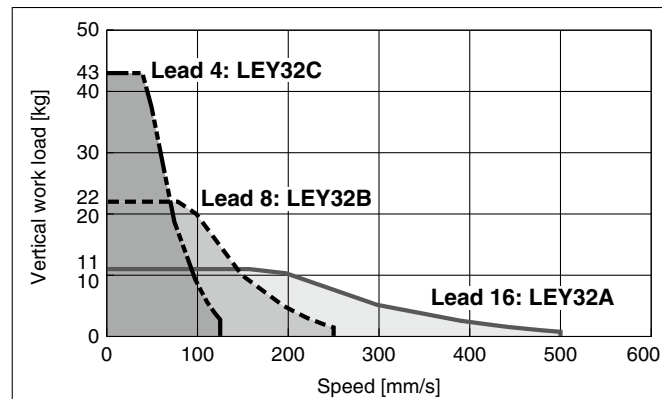
LEY16□



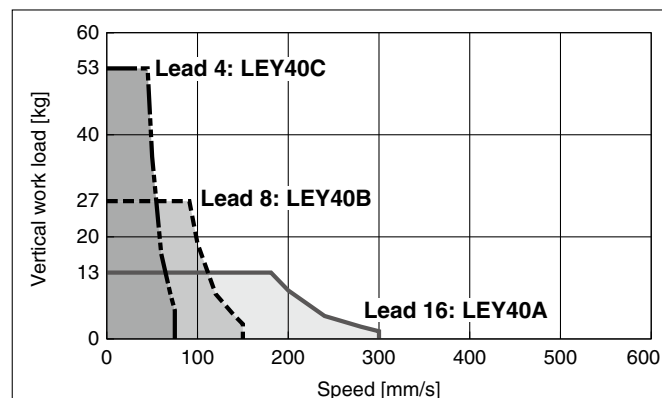
LEY25□



LEY32□



LEY40□



Model Selection

Step Motor (Servo/24 VDC)/Servo Motor (24 VDC)

LEY
LEYG

LEY

AC Servo Motor
LEYG

Environment
LEY-X7
LEY-X5

25A-LEY

JXC51/61
LECA6
LEC-G

Step Motor (Servo/24 VDC)/Servo Motor (24 VDC)
LECP1
LECPA

JXC□
LECS□

AC Servo Motor
LECY□

Specific Product Precautions

LEY/25A-LEY Series

Step Motor (Servo/24 VDC)

Servo Motor (24 VDC)

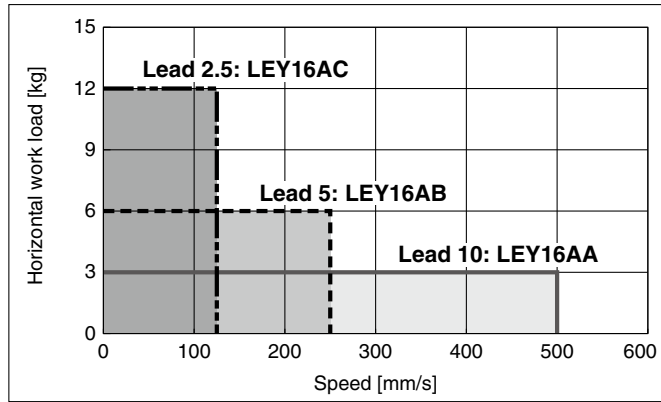
Secondary Battery Compatible

Refer to page 37 for the JXC□1, LEC□1 and page 38 for the LEC□A, JXC□2.

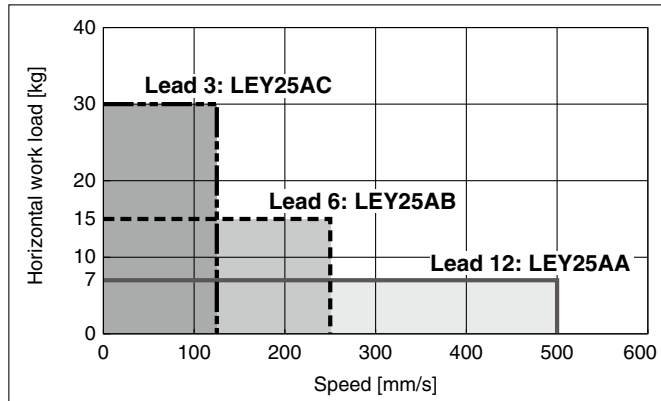
Speed-Work Load Graph (Guide) For Servo Motor (24 VDC) LECA6

Horizontal

LEY16□A

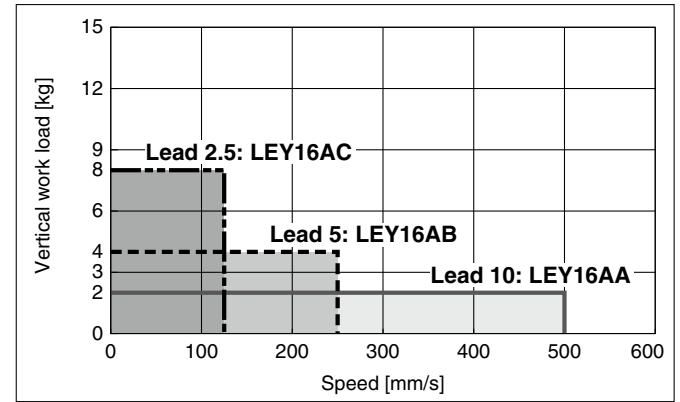


LEY25□A

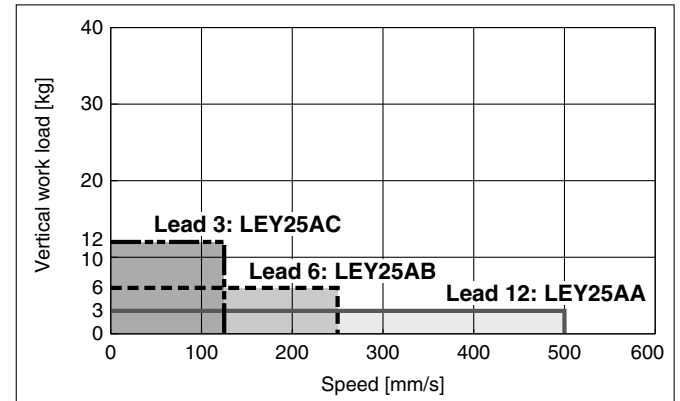


Vertical

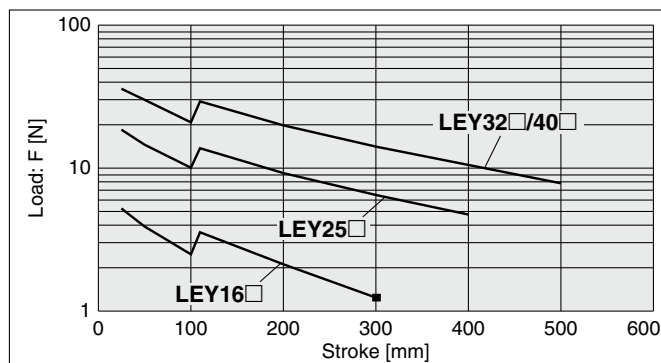
LEY16□A



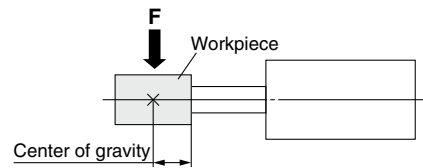
LEY25□A



Graph of Allowable Lateral Load on the Rod End (Guide)

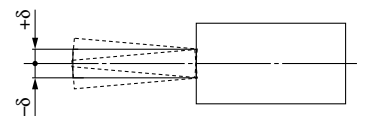


[Stroke] = [Product stroke] + [Distance from the rod end to the center of gravity of the workpiece]



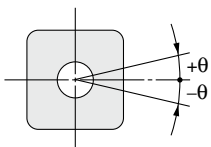
Rod Displacement: δ [mm]

Stroke \ Size	30	50	100	150	200	250	300	350	400	450	500
16	±0.4	±0.5	±0.9	±0.8	±1.1	±1.3	±1.5	—	—	—	—
25	±0.3	±0.4	±0.7	±0.7	±0.9	±1.1	±1.3	±1.5	±1.7	—	—
32, 40	±0.3	±0.4	±0.7	±0.6	±0.8	±1.0	±1.1	±1.3	±1.5	±1.7	±1.8



* The values without a load are shown.

Non-rotating Accuracy of Rod



Size	Non-rotating accuracy θ
16	±1.1°
25	±0.8°
32	±0.7°
40	

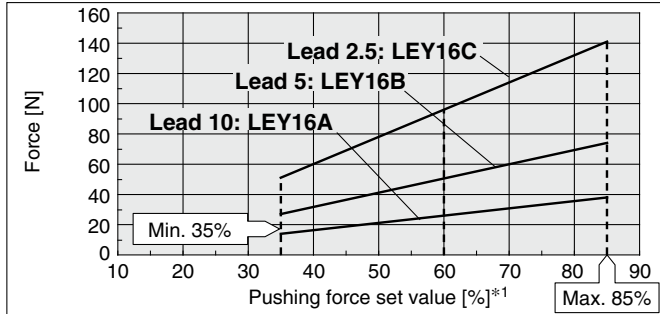
* Avoid using the electric actuator in such a way that rotational torque would be applied to the piston rod.

Failure to do so may result in the deformation of the non-rotating guide, abnormal auto switch responses, play in the internal guide, or an increase in the sliding resistance.

Force Conversion Graph (Guide)

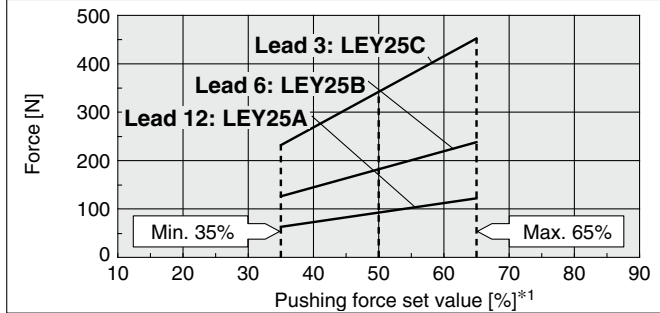
Step Motor (Servo/24 VDC)

LEY16



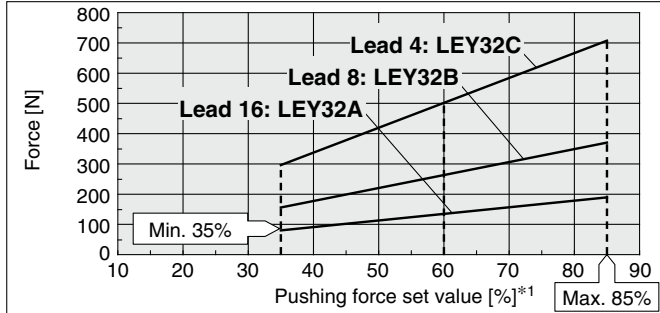
Ambient temperature	Pushing force set value [%]	Duty ratio [%]	Continuous pushing time [min]
25°C or less	85 or less	100	—
	40 or less	100	—
40°C	50	70	12 or less
	70	20	1.3 or less
	85	15	0.8 or less

LEY25



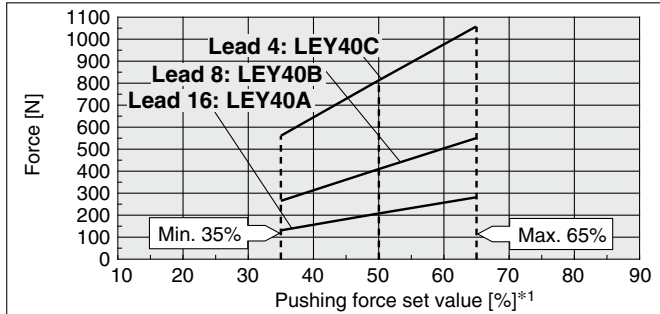
Ambient temperature	Pushing force set value [%]	Duty ratio [%]	Continuous pushing time [min]
40°C or less	65 or less	100	—

LEY32



Ambient temperature	Pushing force set value [%]	Duty ratio [%]	Continuous pushing time [min]
25°C or less	85 or less	100	—
	65 or less	100	—
40°C	85	50	15 or less

LEY40

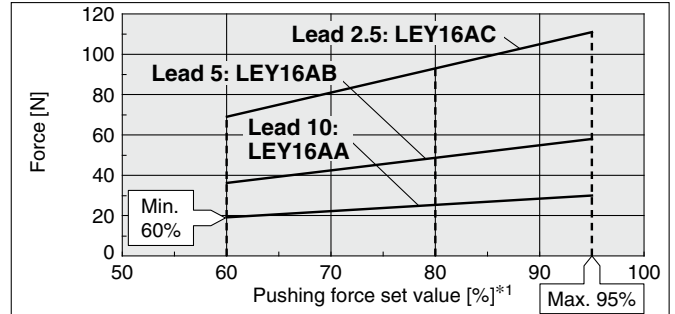


Ambient temperature	Pushing force set value [%]	Duty ratio [%]	Continuous pushing time [min]
40°C or less	65 or less	100	—

*1 Set values for the controller

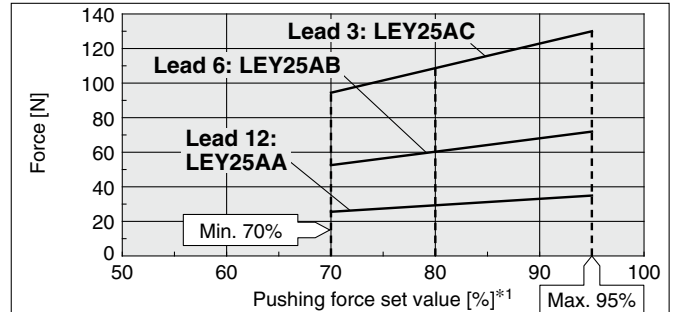
Servo Motor (24 VDC)

LEY16□A



Ambient temperature	Pushing force set value [%]	Duty ratio [%]	Continuous pushing time [min]
40°C or less	95 or less	100	—

LEY25□A



Ambient temperature	Pushing force set value [%]	Duty ratio [%]	Continuous pushing time [min]
40°C or less	95 or less	100	—

<Limit Values for Pushing Force and Trigger Level in Relation to Pushing Speed> Without Load

Model	Lead	Pushing speed [mm/s]	Pushing force (Setting input value)	Model	Lead	Pushing speed [mm/s]	Pushing force (Setting input value)
LEY16	A/B/C	21 to 50	60 to 85%	LEY16□A	A/B/C	21 to 50	80 to 95%
LEY25	A/B/C	21 to 35	50 to 65%	LEY25□A	A/B/C	21 to 35	80 to 95%
LEY32	A	24 to 30	60 to 85%	LEY40	A	24 to 30	50 to 65%
	B/C	21 to 30			B/C	21 to 30	

There is a limit to the pushing force in relation to the pushing speed. If the product is operated outside of the range (low pushing force), the completion signal [INP] may be output before the pushing operation has been completed (during the moving operation). If operating with the pushing speed below the min. speed, please check for operating problems before using the product.

<Set Values for Vertical Upward Transfer Pushing Operations>

For vertical loads (upward), set the pushing force to the max. value shown below and operate at the work load or less.

Model	LEY16□	LEY25□	LEY32□	LEY40□	LEY16□A	LEY25□A
Lead	A B C	A B C	A B C	A B C	A B C	A B C
Work load [kg]	1 1.5 3	2.5 5 10	4.5 9 18	7 14 28	1 1.5 3	1.2 2.5 5
Pushing force	85%		65%		85%	

Model Selection

Size **25, 32, 63, 100**



LEY Series ▶ pp. 69, 79, 86 **LECY** □ Series ▶ p. 91

LEY-X5 Series ▶ p. 181 **25A-LEY Series** ▶ p. 199

Selection Procedure

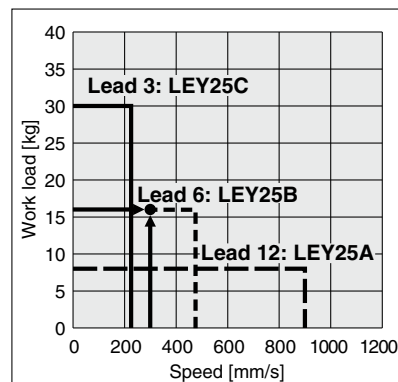
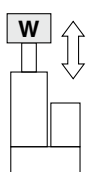
Positioning Control Selection Procedure



Selection Example

Operating conditions

- Workpiece mass: 16 [kg]
- Speed: 300 [mm/s]
- Acceleration/Deceleration: 5000 [mm/s²]
- Stroke: 300 [mm]
- Workpiece mounting condition: Vertical upward downward transfer



<Speed-Vertical work load graph> (LEY25)

Step 1 Check the work load-speed. <Speed-Vertical work load graph>

Select a model based on the workpiece mass and speed while referencing the speed-vertical work load graph.

Selection example) The **LEY25B** can be temporarily selected as a possible candidate based on the graph shown on the right side.

* It is necessary to mount a guide outside the actuator when used for horizontal transfer. When selecting the target model, refer to the horizontal work load in the specifications on pages 71, 72, 80, 87, and 183 and the precautions.

The regeneration option may be necessary. Refer to pages 43 and 44 for the "Required Conditions for the Regeneration Option."

Step 2 Check the cycle time.

Calculate the cycle time using the following calculation method.

Cycle time:

T can be found from the following equation.

$$T = T1 + T2 + T3 + T4 \text{ [s]}$$

- T1: Acceleration time and T3: Deceleration time can be found by the following equation.

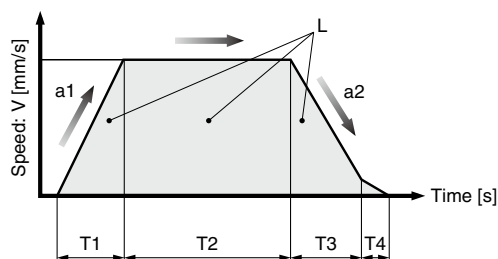
$$T1 = V/a1 \text{ [s]} \quad T3 = V/a2 \text{ [s]}$$

- T2: Constant speed time can be found from the following equation.

$$T2 = \frac{L - 0.5 \cdot V \cdot (T1 + T3)}{V} \text{ [s]}$$

- T4: Settling time varies depending on the motor type and load. The value below is recommended.

$$T4 = 0.05 \text{ [s]}$$



- L : Stroke [mm] ... (Operating condition)
- V : Speed [mm/s] ... (Operating condition)
- a1 : Acceleration [mm/s²] ... (Operating condition)
- a2 : Deceleration [mm/s²] ... (Operating condition)

- T1: Acceleration time [s] ... Time until reaching the set speed
- T2: Constant speed time [s] ... Time while the actuator is operating at a constant speed
- T3: Deceleration time [s] ... Time from the beginning of the constant speed operation to stop
- T4: Settling time [s] ... Time until positioning is completed

Calculation example)

T1 to T4 can be calculated as follows.

$$T1 = V/a1 = 300/5000 = 0.06 \text{ [s]}, \quad T3 = V/a2 = 300/5000 = 0.06 \text{ [s]}$$

$$T2 = \frac{L - 0.5 \cdot V \cdot (T1 + T3)}{V} = \frac{300 - 0.5 \cdot 300 \cdot (0.06 + 0.06)}{300} = 0.94 \text{ [s]}$$

$$T4 = 0.05 \text{ [s]}$$

The cycle time can be found as follows.

$$T = T1 + T2 + T3 + T4 = 0.06 + 0.94 + 0.06 + 0.05 = 1.11 \text{ [s]}$$

Based on the above calculation result, the **LEY25S2B-300** should be selected.

Selection Procedure

Force Control Selection Procedure

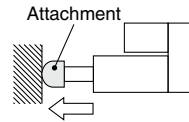


* The duty ratio is a ratio of the operation time in one cycle.

Selection Example

Operating conditions

- Mounting condition: Horizontal (pushing)
- Attachment weight: 0.5 [kg]
- Force: 255 [N]
- Duty ratio: 60 [%]
- Speed: 100 [mm/s]
- Stroke: 300 [mm]



Step 1 Check the duty ratio.

<Conversion table of force–duty ratio>

Select the [Force] from the duty ratio while referencing the conversion table of force–duty ratio.

Selection example)

Based on the table below,

- Duty ratio: 60 [%]
- Torque limit/Command value will be 30 [%].

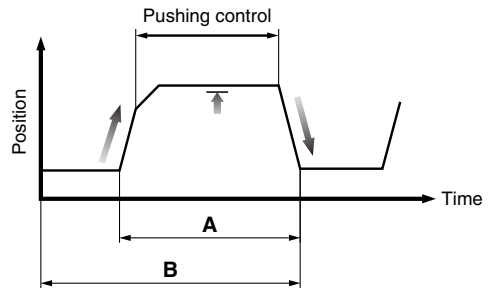
<Conversion table of force–duty ratio>

(LEY25/AC Servo motor)

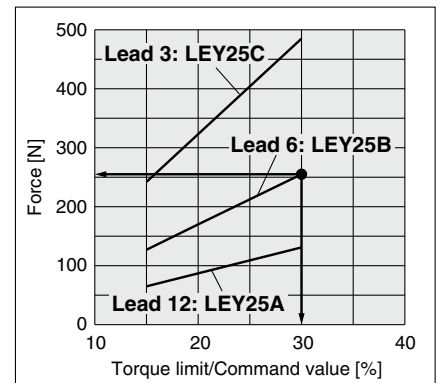
Torque limit/Command value [%]	Duty ratio [%]	Continuous pushing time [min]
25 or less	100	—
30	60	1.5 or less

* [Torque limit/Command value [%]] is the set value for the driver.

* [Continuous pushing time] is the time that the actuator can continuously keep pushing.



$$\text{Duty ratio} = A/B \times 100 [\%]$$



<Force conversion graph> (LEY25)

Step 2 Check the force.

<Force conversion graph>

Select a model based on the torque limit/command value and pushing force while referencing the force conversion graph.

Selection example)

Based on the graph shown on the right side,

- Torque limit/Command value: 30 [%]
- Force: 255 [N]

The **LEY25B** can be temporarily selected as a possible candidate.

Step 3 Check the lateral load on the rod end.

<Graph of allowable lateral load on the rod end>

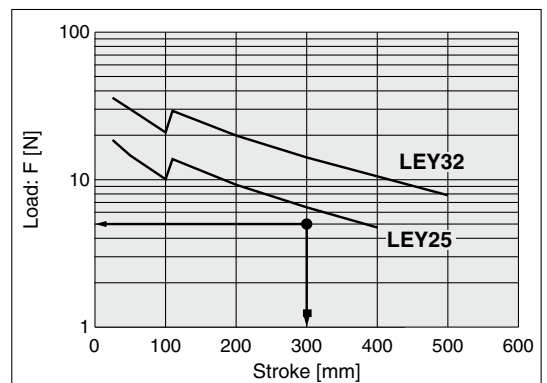
Confirm the allowable lateral load on the rod end of the actuator: LEY25B, which has been selected temporarily while referencing the graph of allowable lateral load on the rod end.

Selection example)

Based on the graph shown on the right side,

- Attachment weight: 0.5 [kg] \approx 5 [N]
- Product stroke: 300 [mm]

The lateral load on the rod end is in the allowable range.



<Graph of allowable lateral load on the rod end>

Based on the above calculation result, the LEY25S2B-300 should be selected.

* For pushing operations, check the list of applicable drivers. (Refer to page 23.)

LEY/LEY-X5/25A-LEY Series

AC Servo Motor

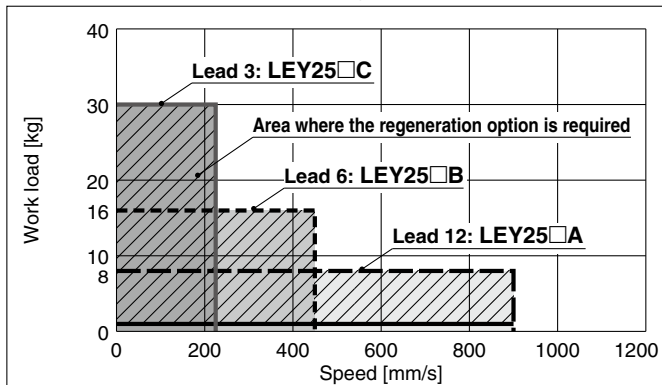
Size 25, 32, 63, 100

Dust-tight/Water-jet-proof (IP65 Equivalent)

Secondary Battery Compatible

Speed-Vertical Work Load Graph/Required Conditions for the Regeneration Option

LEY25□S₆²/T6 (Motor mounting position: Parallel/In-line)



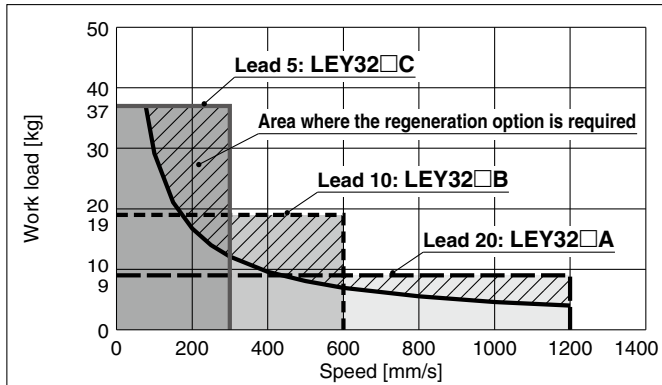
Required conditions for the regeneration option

* The regeneration option is required when using the product above the regeneration line in the graph. (It must be ordered separately.)

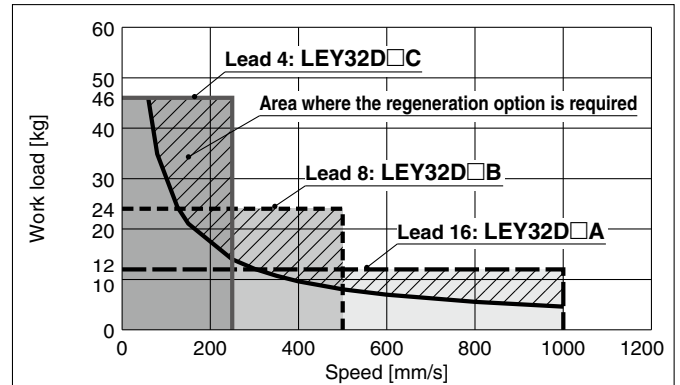
Regeneration Option Models

Size	Model	Note
LEY25□	LEC-MR-RB-032	—
LEY32□	LEC-MR-RB-032	—
LEY63□	LEC-MR-RB-12	—
LEY100□	LEC-MR-RB-032	A area
	LEC-MR-RB-12	B area C area

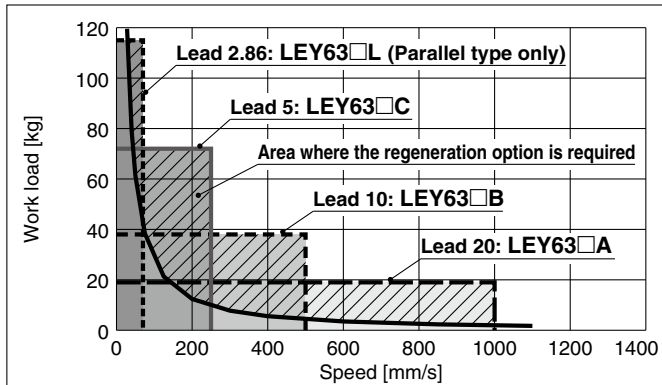
LEY32□S₇³/T7 (Motor mounting position: Parallel)



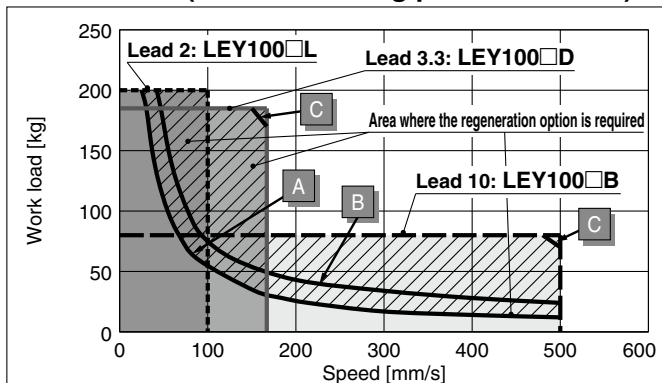
LEY32DS₇³/T7 (Motor mounting position: In-line)



LEY63□S₈⁴/T8 (Motor mounting position: Parallel/In-line)



LEY100□T9 (Motor mounting position: In-line)



Operating condition	Regenerative condition Duty ratio
A area	100%
B area	100%
C area	90%

Model Selection LEY/LEY-X5/25A-LEY Series

AC Servo Motor

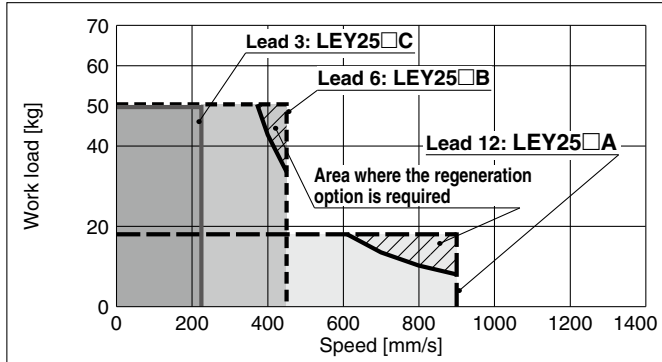
Size 25, 32, 63, 100

Dust-tight/Water-jet-proof (IP65 Equivalent)

Secondary Battery Compatible

Speed–Horizontal Work Load Graph/Required Conditions for the Regeneration Option

LEY25□S₆²/T6 (Motor mounting position: Parallel/In-line)



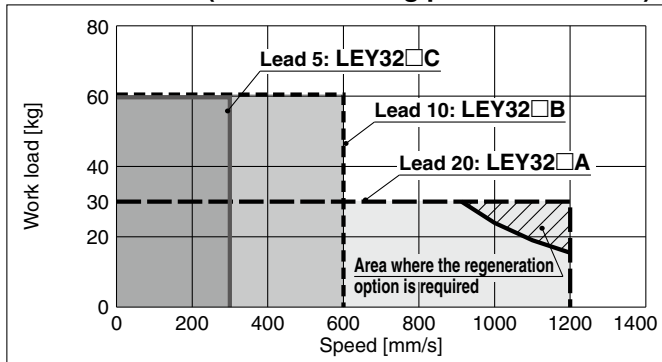
Required conditions for the regeneration option

* The regeneration option is required when using the product above the regeneration line in the graph. (It must be ordered separately.)

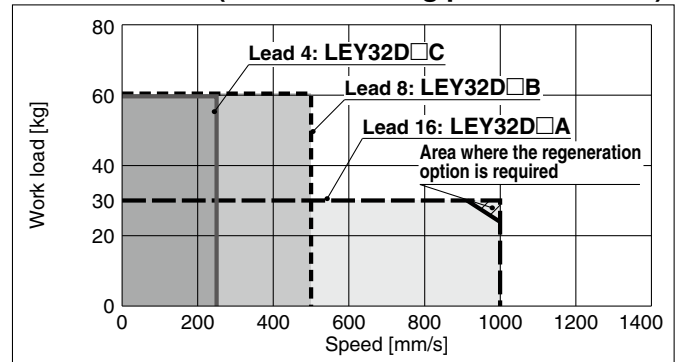
Regeneration Option Models

Size	Model	Note
LEY25□	LEC-MR-RB-032	—
LEY32□	LEC-MR-RB-032	—
LEY63□	—	—
LEY100□	LEC-MR-RB-032	A area

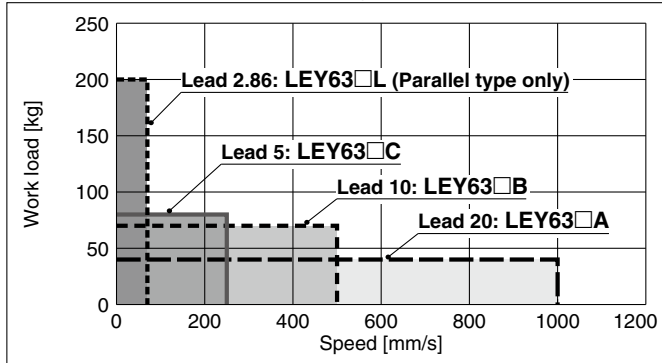
LEY32□S₇³/T7 (Motor mounting position: Parallel)



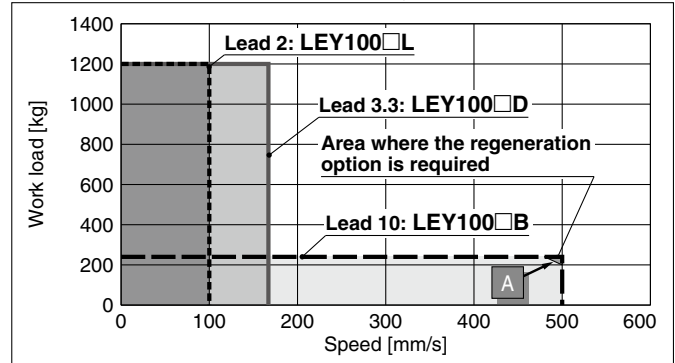
LEY32DS₇³/T7 (Motor mounting position: In-line)



LEY63□S₈⁴/T8 (Motor mounting position: Parallel/In-line)



LEY100□T9 (Motor mounting position: In-line)



Allowable Stroke Speed

Model	AC servo motor	Lead	Stroke [mm]																	
			Symbol	[mm]	30	50	100	150	200	250	300	350	400	450	500	600	700	800	900	1000
LEY25□S ₆ ² /T6 (Motor mounting position: Parallel/In-line)	100 W □40	A	12				900													
		B	6				450													
		C	3				225													
		(Motor rotation speed)					(4500 rpm)													
LEY32□S ₇ ³ /T7 (Motor mounting position: Parallel)	200 W □60	A	20					1200					800							
		B	10					600					400							
		C	5					300						200						
		(Motor rotation speed)						(3600 rpm)						(2400 rpm)						
LEY32DS ₇ ³ /T7 (Motor mounting position: In-line)	200 W □60	A	16					1000					640							
		B	8					500					320							
		C	4					250						160						
		(Motor rotation speed)						(3750 rpm)						(2400 rpm)						
LEY63□S ₈ ⁴ /T8 (Motor mounting position: Parallel/In-line)	400 W □60	A	20	—						1000					800	600	500			
		B	10	—						500					400	300	250			
		C	5	—						250					200	150	125			
		(Motor rotation speed)								(3000 rpm)					(2400 rpm)	(1800 rpm)	(1500 rpm)			
		L*1	2.86	—							70									
(Motor rotation speed)									(1470 rpm)											
LEY100D□T9 (Motor mounting position: In-line)	750 W □80	B	10	—							500				371	285	225	183	151	
		D	3.3	—							167				124	95	75	61	50	
		L	2	—							100				74	57	45	37	30	
		(Motor rotation speed)									(3000 rpm)				(2225 rpm)	(1708 rpm)	(1353 rpm)	(1098 rpm)	(908 rpm)	

*1 Parallel type only

LEY/LEY-X5/25A-LEY Series

AC Servo Motor

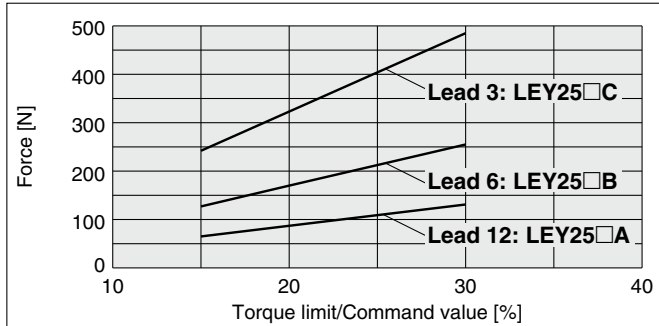
Size 25, 32, 63, 100

Dust-tight/Water-jet-proof (IP65 Equivalent)

Secondary Battery Compatible

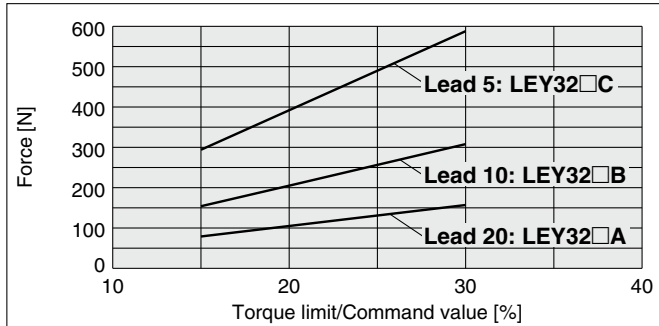
Force Conversion Graph (Guide) For the LECSA, LECSB, LECS, LECS

LEY25□S₆² (Motor mounting position: Parallel/In-line)



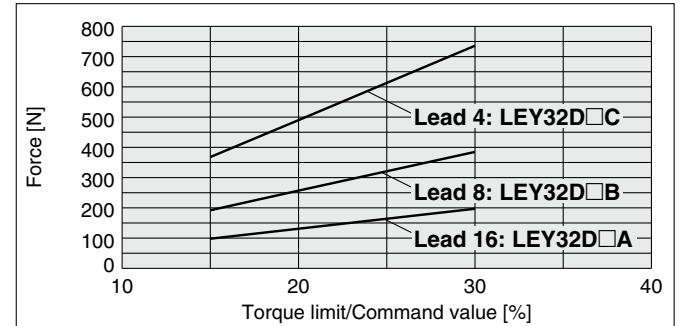
Torque limit/Command value [%]	Duty ratio [%]	Continuous pushing time [min]
25 or less	100	—
30	60	1.5 or less

LEY32□S₇³ (Motor mounting position: Parallel)



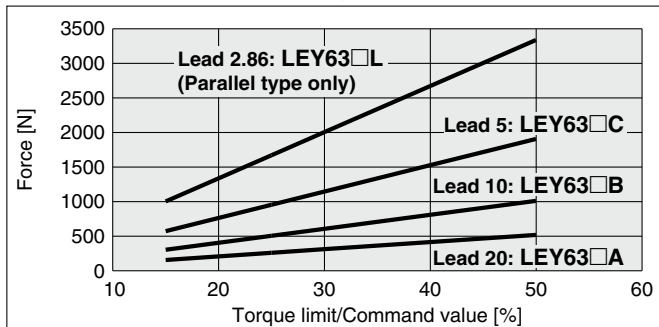
Torque limit/Command value [%]	Duty ratio [%]	Continuous pushing time [min]
25 or less	100	—
30	60	1.5 or less

LEY32DS₇³ (Motor mounting position: In-line)



Torque limit/Command value [%]	Duty ratio [%]	Continuous pushing time [min]
25 or less	100	—
30	60	1.5 or less

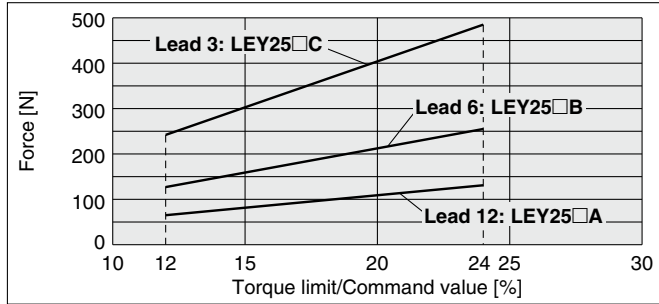
LEY63□S₈⁴ (Motor mounting position: Parallel/In-line)



Torque limit/Command value [%]	Duty ratio [%]	Continuous pushing time [min]
25 or less	100	—
30	60	1.5 or less
40	30	0.5 or less
50	20	0.16 or less

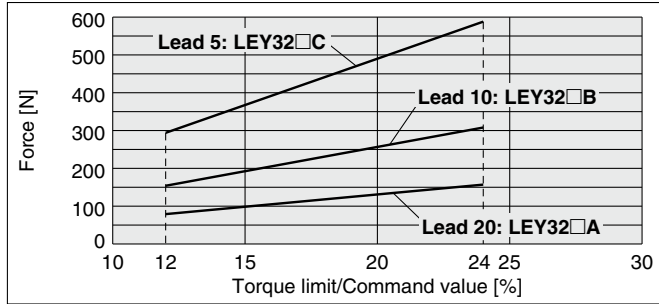
**Force Conversion Graph (Guide)
For the LECS□-T**

LEY25□T6 (Motor mounting position: Parallel/In-line)



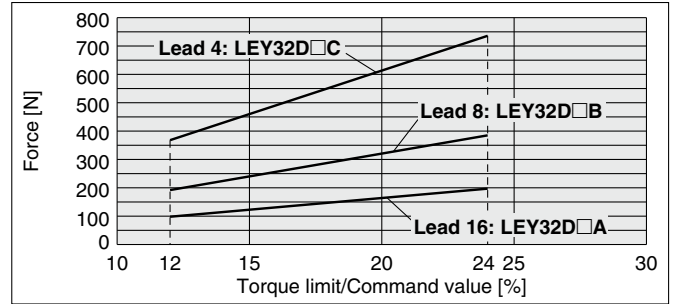
Torque limit/Command value [%]	Duty ratio [%]	Continuous pushing time [min]
20 or less	100	—
24	60	1.5 or less

LEY32□T7 (Motor mounting position: Parallel)



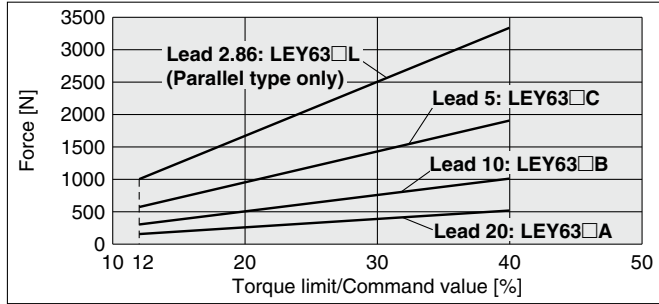
Torque limit/Command value [%]	Duty ratio [%]	Continuous pushing time [min]
20 or less	100	—
24	60	1.5 or less

LEY32DT7 (Motor mounting position: In-line)



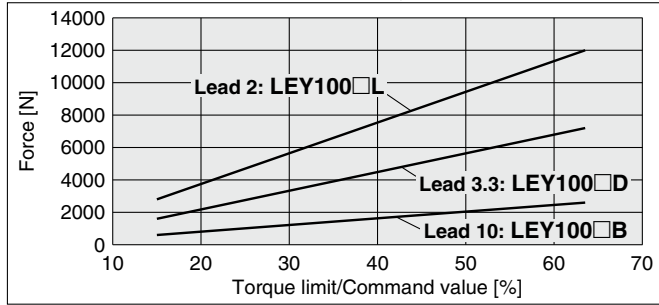
Torque limit/Command value [%]	Duty ratio [%]	Continuous pushing time [min]
20 or less	100	—
24	60	1.5 or less

LEY63□T8 (Motor mounting position: Parallel/In-line)



Torque limit/Command value [%]	Duty ratio [%]	Continuous pushing time [min]
20 or less	100	—
24	60	1.5 or less
32	30	0.5 or less
40	20	0.16 or less

LEY100□T9 (Motor mounting position: In-line)



Torque limit/Command value [%]	Duty ratio [%]	Continuous pushing time [min]
25 or less	100	—
30	90	6.00 or less
40	50	1.23 or less
50	30	0.57 or less
55	20	0.25 or less

LEY/LEY-X5/25A-LEY Series

AC Servo Motor

Size 25, 32, 63, 100

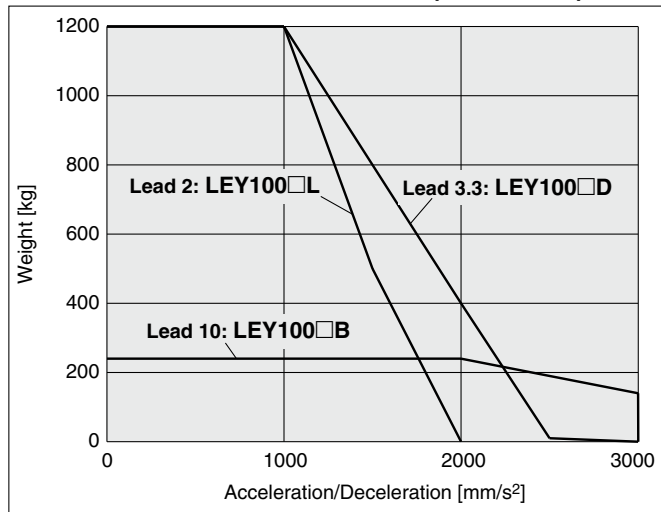
Dust-tight/Water-jet-proof (IP65 Equivalent)

Secondary Battery Compatible

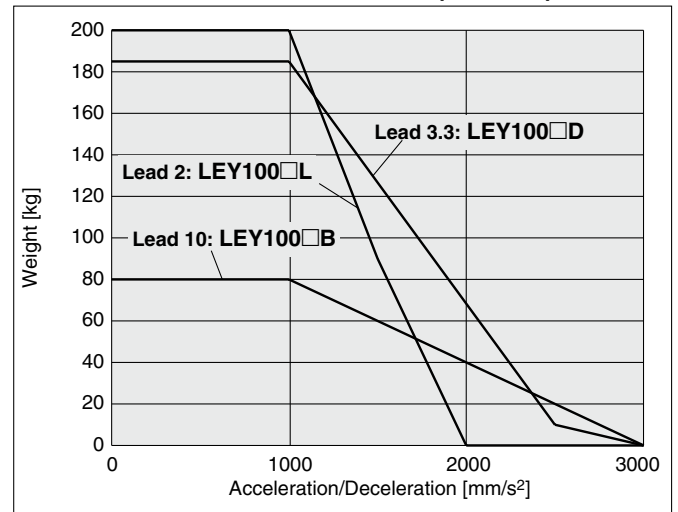
Load–Acceleration/Deceleration Graph

* The values shown below are allowable values of the actuator body.
Do not use the actuator so that it exceeds these specification ranges.

Max. Acceleration/Deceleration (Horizontal)



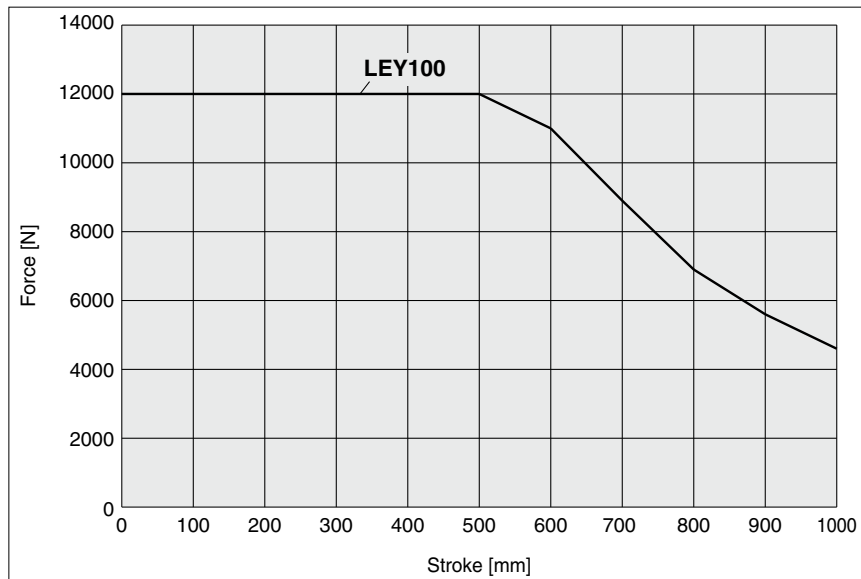
Max. Acceleration/Deceleration (Vertical)



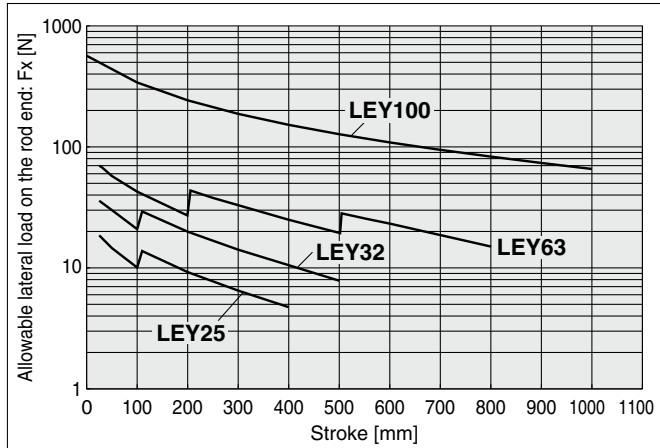
Force–Stroke Graph

* The values shown below are allowable values of the actuator body.
Do not use the actuator so that it exceeds these specification ranges.

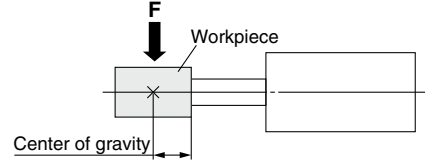
Force and Stroke



Graph of Allowable Lateral Load on the Rod End (Guide)



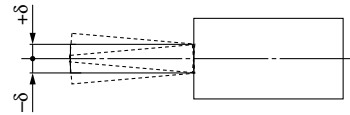
[Stroke] = [Product stroke] + [Distance from the rod end to the center of gravity of the workpiece]



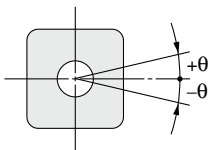
Rod Displacement: δ [mm]

Stroke \ Size	30	50	100	150	200	250	300	350	400	450	500	600	700	800	900	1000
25	±0.3	±0.4	±0.7	±0.7	±0.9	±1.1	±1.3	±1.5	±1.7	—	—	—	—	—	—	—
32	±0.3	±0.4	±0.7	±0.6	±0.8	±1.0	±1.1	±1.3	±1.5	±1.7	±1.8	—	—	—	—	—
63	—	±0.5	±0.7	±0.9	±1.2	±1.1	±1.3	±1.5	±1.7	±1.9	±2.1	±1.7	±2.0	±2.2	—	—
100	—	—	±0.8	—	±1.3	—	±1.9	—	±2.4	—	±2.9	±3.5	±4.0	±4.5	±5.1	±5.6

* The values without a load are shown.



Non-rotating Accuracy of Rod

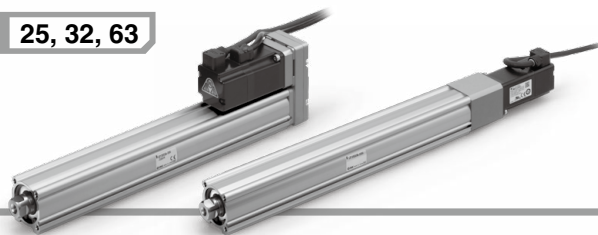


Size	Non-rotating accuracy θ
25	±0.8°
32	±0.7°
63	±0.6°
100	±0.6°

* Avoid using the electric actuator in such a way that rotational torque would be applied to the piston rod. Failure to do so may result in the deformation of the non-rotating guide, abnormal auto switch responses, play in the internal guide, or an increase in the sliding resistance.

Model Selection

Size **25, 32, 63**



LEY Series ▶ p. 91 **LECS** □ Series ▶ pp. 69, 79, 86

LEY-X5 Series ▶ p. 187 **25A-LEY Series** ▶ p. 201

Selection Procedure

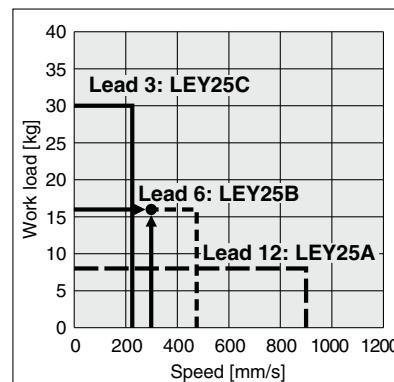
Positioning Control Selection Procedure



Selection Example

Operating conditions

- Workpiece mass: 16 [kg]
- Speed: 300 [mm/s]
- Acceleration/Deceleration: 5000 [mm/s²]
- Stroke: 300 [mm]
- Workpiece mounting condition: Vertical upward downward transfer



<Speed-Vertical work load graph> (LEY25)

Step 1 Check the work load-speed. <Speed-Vertical work load graph>

Select a model based on the workpiece mass and speed while referencing the speed-vertical work load graph.

Selection example) The **LEY25B** can be temporarily selected as a possible candidate based on the graph shown on the right side.

* It is necessary to mount a guide outside the actuator when used for horizontal transfer. When selecting the target model, refer to the horizontal work load in the specifications on pages 93 and 94 and the precautions.

The regenerative resistor may be necessary. Refer to pages 51 and 52 for the "Required Conditions for the Regenerative Resistor (Guide)."

Step 2 Check the cycle time.

Calculate the cycle time using the following calculation method.

Cycle time:

T can be found from the following equation.

$$T = T1 + T2 + T3 + T4 \text{ [s]}$$

- T1: Acceleration time and T3: Deceleration time can be found by the following equation.

$$T1 = V/a1 \text{ [s]} \quad T3 = V/a2 \text{ [s]}$$

- T2: Constant speed time can be found from the following equation.

$$T2 = \frac{L - 0.5 \cdot V \cdot (T1 + T3)}{V} \text{ [s]}$$

- T4: Settling time varies depending on the motor type and load. The value below is recommended.

$$T4 = 0.05 \text{ [s]}$$

Calculation example)

T1 to T4 can be calculated as follows.

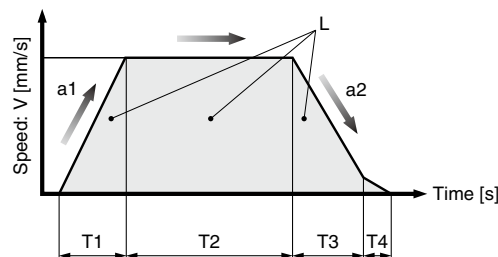
$$T1 = V/a1 = 300/5000 = 0.06 \text{ [s]}, \quad T3 = V/a2 = 300/5000 = 0.06 \text{ [s]}$$

$$T2 = \frac{L - 0.5 \cdot V \cdot (T1 + T3)}{V} = \frac{300 - 0.5 \cdot 300 \cdot (0.06 + 0.06)}{300} = 0.94 \text{ [s]}$$

$$T4 = 0.05 \text{ [s]}$$

The cycle time can be found as follows.

$$T = T1 + T2 + T3 + T4 = 0.06 + 0.94 + 0.06 + 0.05 = 1.11 \text{ [s]}$$



- L : Stroke [mm] ... (Operating condition)
- V : Speed [mm/s] ... (Operating condition)
- a1: Acceleration [mm/s²] ... (Operating condition)
- a2: Deceleration [mm/s²] ... (Operating condition)

- T1: Acceleration time [s] ... Time until reaching the set speed
- T2: Constant speed time [s] ... Time while the actuator is operating at a constant speed
- T3: Deceleration time [s] ... Time from the beginning of the constant speed operation to stop
- T4: Settling time [s] ... Time until positioning is completed

Based on the above calculation result, the **LEY25V6B-300** should be selected.

Selection Procedure

Control Selection Procedure

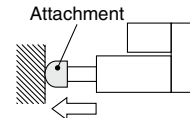


* The duty ratio is a ratio of the operation time in one cycle.

Selection Example

Operating conditions

- Mounting condition: Horizontal (pushing)
- Attachment weight: 0.5 [kg]
- Force: 255 [N]
- Duty ratio: 60 [%]
- Pushing speed: 35 [mm/s]
- Stroke: 300 [mm]



Step 1 Check the duty ratio.

<Conversion table of force–duty ratio>

Select the [force] from the duty ratio while referencing the conversion table of force–duty ratio.

Selection example)

Based on the table below,

- Duty ratio: 60 [%]

Torque limit/command value will be 90 [%].

<Conversion table of force–duty ratio>

(LEY25/AC Servo motor)

Torque limit/Command value [%]	Duty ratio [%]	Continuous pushing time [min]
75 or less	100	—
90	60	1.5 or less

* [Force set value] is one of the data input to the driver.

* [Continuous pushing time] is the time that the actuator can continuously keep pushing.

Step 2 Check the pushing force.

<Force conversion graph>

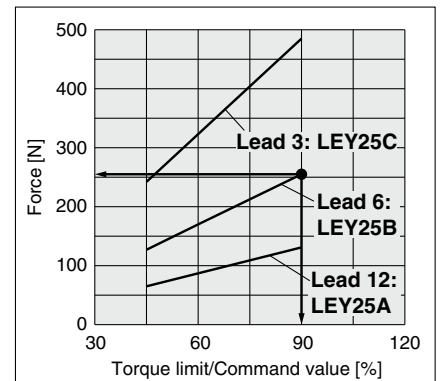
Select a model based on the torque limit/command value and pushing force while referencing the force conversion graph.

Selection example)

Based on the graph shown on the right side,

- Torque limit/Command value: 90 [%]
- Force: 255 [N]

The **LEY25B** can be temporarily selected as a possible candidate.



<Force conversion graph> (LEY25)

Step 3 Check the lateral load on the rod end.

<Graph of allowable lateral load on the rod end>

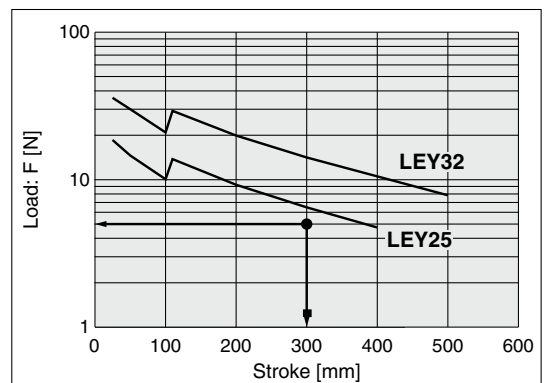
Confirm the allowable lateral load on the rod end of the actuator: LEY25B, which has been selected temporarily while referencing the graph of allowable lateral load on the rod end.

Selection example)

Based on the graph shown on the right side,

- Attachment weight: 0.5 [kg] ≈ 5 [N]
- Product stroke: 300 [mm]

The lateral load on the rod end is in the allowable range.



<Graph of allowable lateral load on the rod end>

Based on the above calculation result, the LEY25V6B-300 should be selected.

Model Selection

Step Motor (Servo/24 VDC)/Servo Motor (24 VDC)

LEY

LEYG

AC Servo Motor

LEY

LEYG

Environment

25A-LEY

LEY-X5

LEY-X7

Step Motor (Servo/24 VDC)/Servo Motor (24 VDC)

JXC51/61

LECA6

LECA9

LECG

LECP1

LECPA

AC Servo Motor

JXC

LECS

LECY

Specific Product/Precautions

LEY/LEY-X5/25A-LEY Series

AC Servo Motor

Size 25, 32, 63

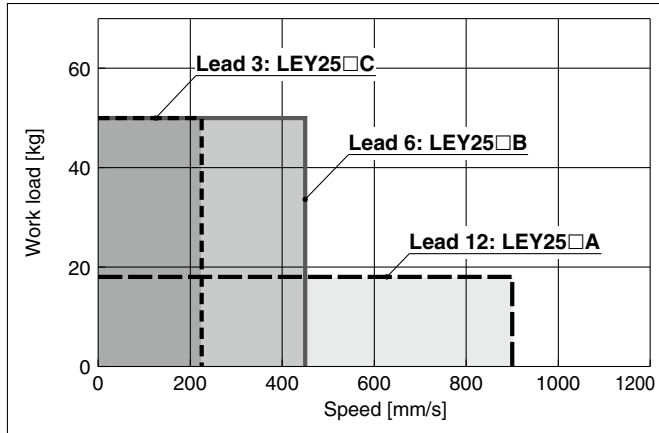
Dust-tight/Water-jet-proof (IP65 Equivalent)

Secondary Battery Compatible

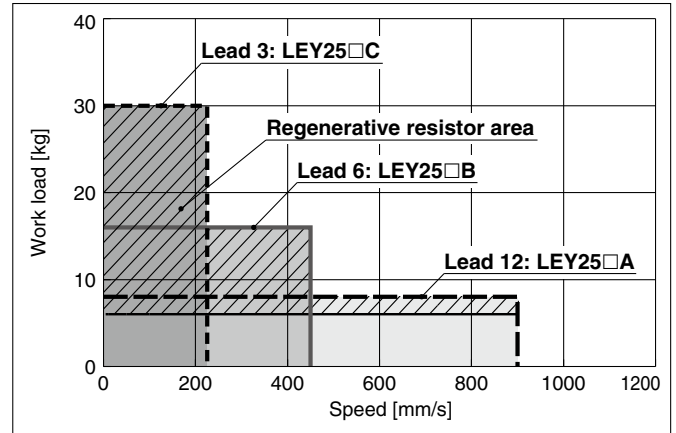
Speed-Work Load Graph/Required Conditions for the Regenerative Resistor (Guide)

LEY25□V6 (Motor mounting position: Parallel/In-line)

Horizontal

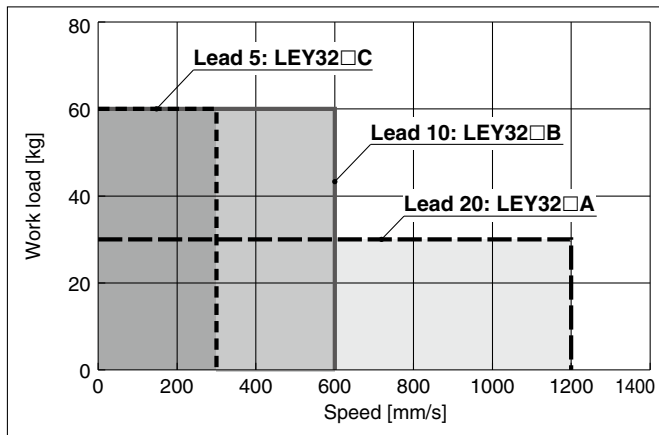


Vertical

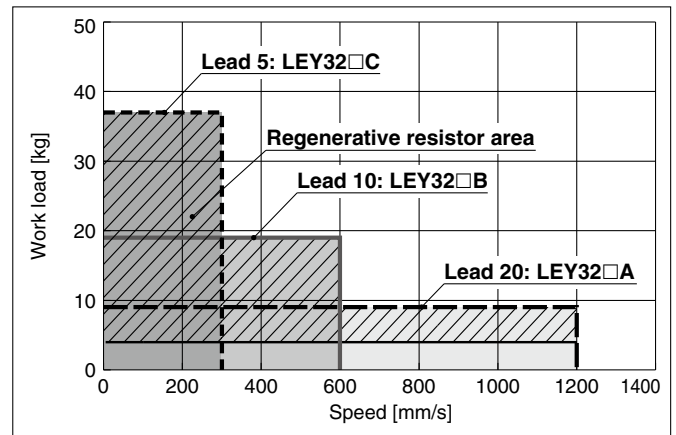


LEY32□V7 (Motor mounting position: Parallel)

Horizontal

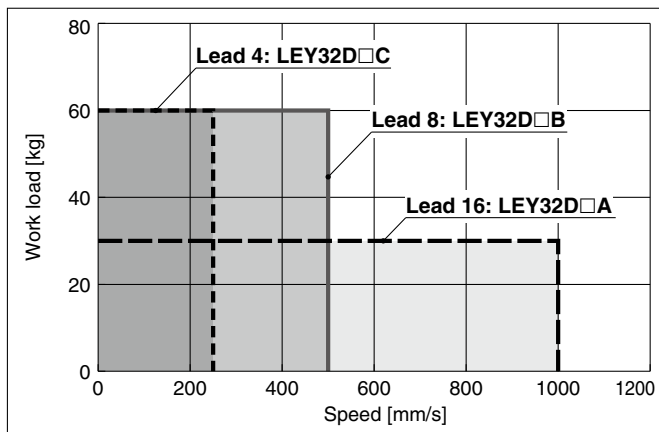


Vertical

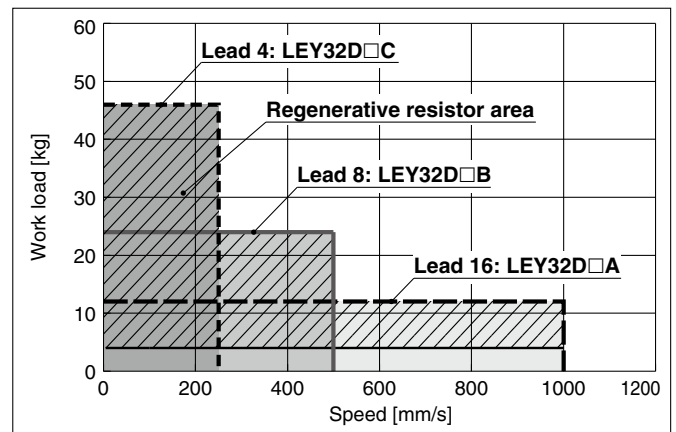


LEY32DV7 (Motor mounting position: In-line)

Horizontal



Vertical



Regenerative resistor area

- * When using the actuator in the regenerative resistor area, download the "AC servo drive capacity selection program/SigmaJunmaSize+" from the SMC website. Then, calculate the necessary regenerative resistor capacity to prepare an appropriate external regenerative resistor.
- * The regenerative resistor should be provided by the customer.

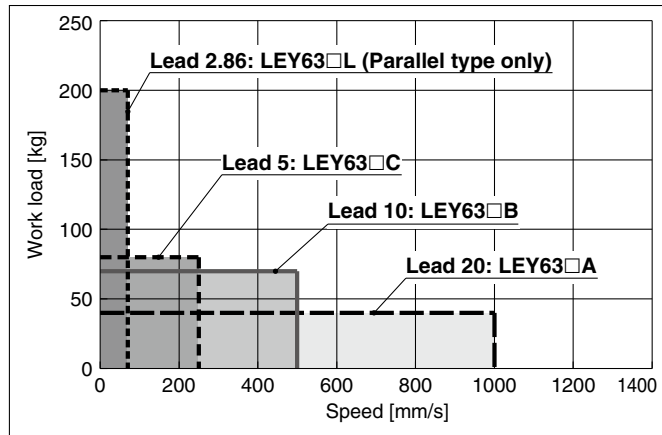
Applicable Motors/Drivers

Model	Applicable model	
	Motor	Servopack (SMC driver)
LEY25□	SGMJV-01A3A	SGDV-R90A11□ (LECYM2-V5)
		SGDV-R90A21□ (LECYU2-V5)
LEY32□	SGMJV-02A3A	SGDV-1R6A11□ (LECYM2-V7)
		SGDV-1R6A21□ (LECYU2-V7)

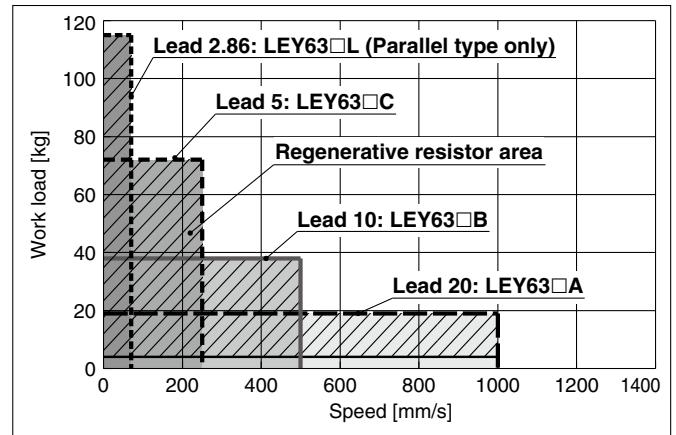
Speed-Work Load Graph/Required Conditions for the Regenerative Resistor (Guide)

LEY63□V8 (Motor mounting position: Parallel/In-line)

Horizontal



Vertical



Regenerative resistor area

- * When using the actuator in the regenerative resistor area, download the "AC servo drive capacity selection program/SigmaJunmaSize+" from the SMC website. Then, calculate the necessary regenerative resistor capacity to prepare an appropriate external regenerative resistor.
- * The regenerative resistor should be provided by the customer.

Applicable Motors/Drivers

Product no.	Applicable model	
	Motor	Servopack (SMC driver)
LEY63□	SGMJV-04A3A	SGDV-2R8A11□ (LECYM2-V8) SGDV-2R8A21□ (LECYU2-V8)

Allowable Stroke Speed

Model	AC servo motor	Lead		Stroke [mm]													
		Symbol	[mm]	Up to 30	Up to 50	Up to 100	Up to 150	Up to 200	Up to 250	Up to 300	Up to 350	Up to 400	Up to 450	Up to 500	Up to 600	Up to 700	Up to 800
LEY25□V6 (Motor mounting position: Parallel/In-line)	100 W /□40	A	12								900						
		B	6								450						
		C	3								225						
		(Motor rotation speed)									(4500 rpm)						
LEY32□V7 (Motor mounting position: Parallel)	200 W /□60	A	20								1200						
		B	10							600							
		C	5							300							
		(Motor rotation speed)								(3600 rpm)				(2400 rpm)			
LEY32DV7 (Motor mounting position: In-line)	200 W /□60	A	16								1000						
		B	8							500							
		C	4							250							
		(Motor rotation speed)								(3750 rpm)				(2400 rpm)			
LEY63□V8 (Motor mounting position: Parallel/In-line)	400 W /□60	A	20	—							1000				800	600	500
		B	10	—							500				400	300	250
		C	5	—							250				200	150	125
		(Motor rotation speed)									(3000 rpm)				(2400 rpm)	(1800 rpm)	(1500 rpm)
		L	2.86	—								70					
(Motor rotation speed)										(1470 rpm)							

LEY/LEY-X5/25A-LEY Series

AC Servo Motor

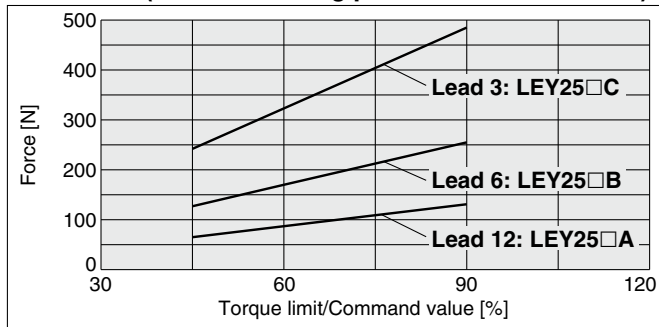
Size 25, 32, 63

Dust-tight/Water-jet-proof (IP65 Equivalent)

Secondary Battery Compatible

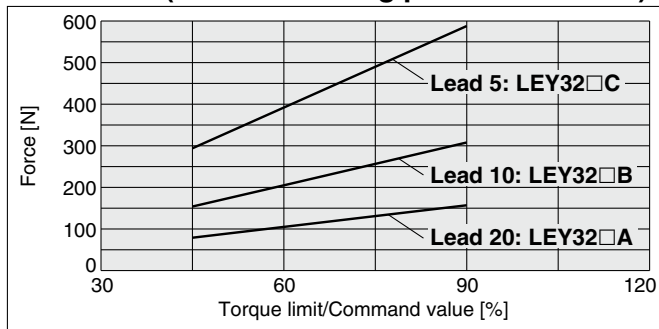
Force Conversion Graph (Guide)

LEY25□V6 (Motor mounting position: Parallel/In-line)



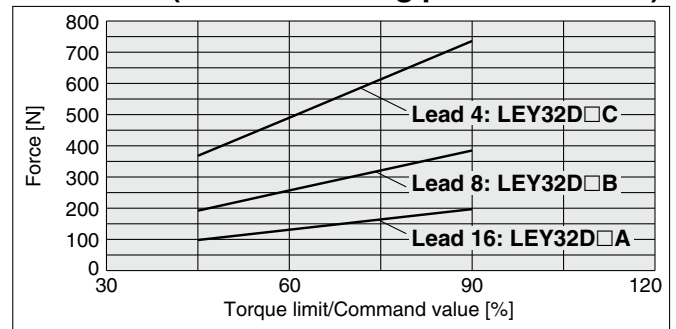
Torque limit/Command value [%]	Duty ratio [%]	Continuous pushing time [min]
75 or less	100	—
90	60	1.5 or less

LEY32□V7 (Motor mounting position: Parallel)



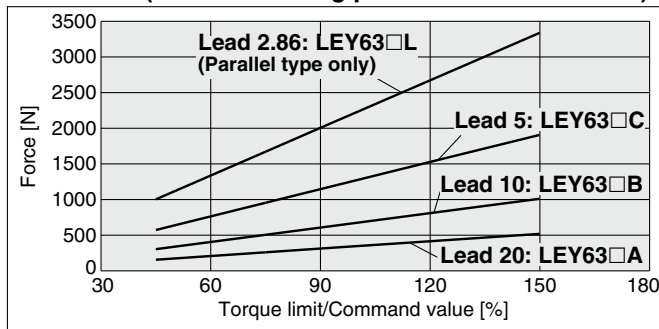
Torque limit/Command value [%]	Duty ratio [%]	Continuous pushing time [min]
75 or less	100	—
90	60	1.5 or less

LEY32DV7 (Motor mounting position: In-line)



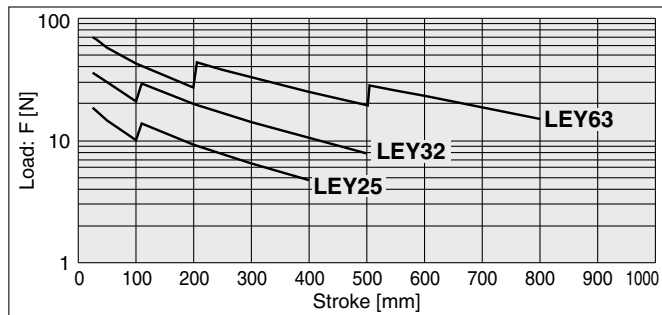
Torque limit/Command value [%]	Duty ratio [%]	Continuous pushing time [min]
75 or less	100	—
90	60	1.5 or less

LEY63□V8 (Motor mounting position: Parallel/In-line)

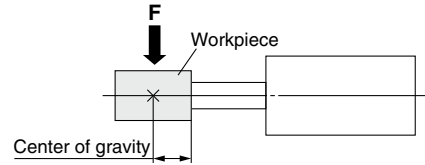


Torque limit/Command value [%]	Duty ratio [%]	Continuous pushing time [min]
75 or less	100	—
90	60	1.5 or less
120	30	0.5 or less
150	20	0.16 or less

Graph of Allowable Lateral Load on the Rod End (Guide)



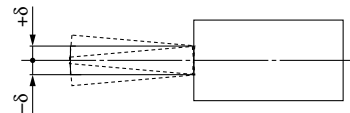
[Stroke] = [Product stroke] + [Distance from the rod end to the center of gravity of the workpiece]



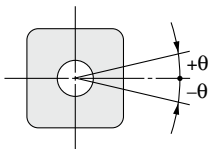
Rod Displacement: δ [mm]

Stroke \ Size	30	50	100	150	200	250	300	350	400	450	500	600	700	800
25	±0.3	±0.4	±0.7	±0.7	±0.9	±1.1	±1.3	±1.5	±1.7	—	—	—	—	—
32	±0.3	±0.4	±0.7	±0.6	±0.8	±1.0	±1.1	±1.3	±1.5	±1.7	±1.8	—	—	—
63	—	±0.5	±0.7	±0.9	±1.2	±1.1	±1.3	±1.5	±1.7	±1.9	±2.1	±1.7	±2.0	±2.2

* The values without a load are shown.



Non-rotating Accuracy of Rod



Size	Non-rotating accuracy θ
25	±0.8°
32	±0.7°
63	±0.6°

* Avoid using the electric actuator in such a way that rotational torque would be applied to the piston rod. Failure to do so may result in the deformation of the non-rotating guide, abnormal auto switch responses, play in the internal guide, or an increase in the sliding resistance.

Electric Actuator Rod Type

LEY Series LEY16, 25, 32, 40

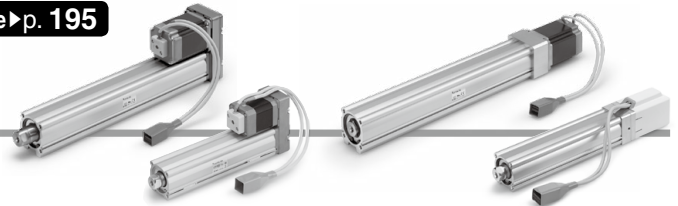


For details, refer to page 307 and onward.



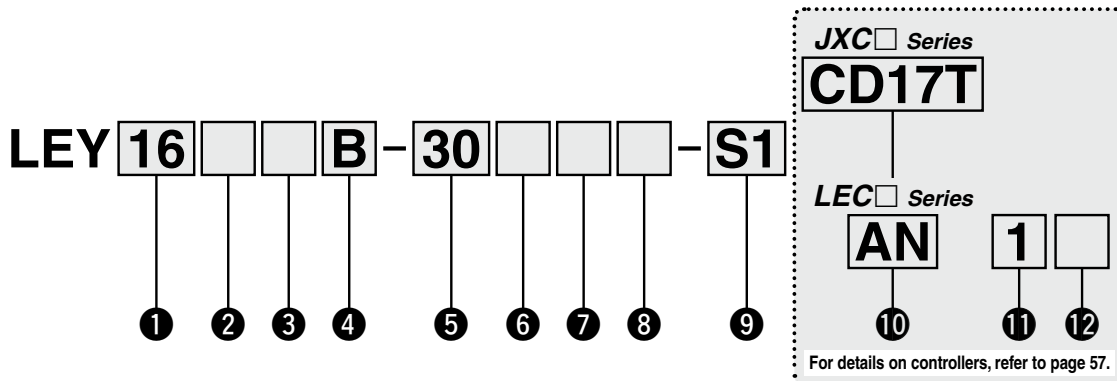
Dust-tight/Water-jet-proof ▶ p. 163, 173 Secondary Battery Compatible ▶ p. 195

How to Order



Motor mounting position: Parallel

Motor mounting position: In-line



1 Size

16
25
32
40

2 Motor mounting position

Nil	Top side parallel
R	Right side parallel
L	Left side parallel
D	In-line

3 Motor type

Symbol	Type	Applicable size			Compatible controllers/drivers	
		LEY16	LEY25	LEY32/40		
Nil	Step motor (Servo/24 VDC)	●	●	●	JXC51 JXC61 JXC91 JXC91 JXCP1 JXCD1 JXCL1 JXCM1	JXCEF JXC9F JXC9F JXCLF
A	Servo motor (24 VDC)	●	●	—	LECA6	

4 Lead [mm]

Symbol	LEY16	LEY25	LEY32/40
A	10	12	16
B	5	6	8
C	2.5	3	4

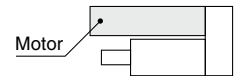
5 Stroke [mm]

30	30
to	to
500	500

* For details, refer to the applicable stroke table below.

6 Motor option*2

Nil	Without option
C	With motor cover
B	With lock
W	With lock/motor cover



7 Rod end thread

Nil	Rod end female thread
M	Rod end male thread (1 rod end nut is included.)

8 Mounting*3

Symbol	Type	Motor mounting position	
		Parallel	In-line
Nil	Ends tapped/Body bottom tapped*4	●	●
L	Foot bracket	●	—
F	Rod flange*4	●*6	●
G	Head flange*4	●*7	—
D	Double clevis*5	●	—

9 Actuator cable type/length*9

Standard cable [m]		Robotic cable [m]			
Nil	None	R1	1.5	RA	10*8
S1	1.5*11	R3	3	RB	15*8
S3	3*11	R5	5	RC	20*8
S5	5*11	R8	8*8		

Applicable Stroke Table*1

●: Standard

Model \ Stroke [mm]	30	50	100	150	200	250	300	350	400	450	500	Manufacturable stroke range
LEY16	●	●	●	●	●	●	●	—	—	—	—	10 to 300
LEY25	●	●	●	●	●	●	●	●	●	—	—	15 to 400
LEY32/40	●	●	●	●	●	●	●	●	●	●	●	20 to 500

For auto switches, refer to pages 104 to 107.

Electric Actuator Rod Type **LEY Series**

Step Motor (Servo/24 VDC) Servo Motor (24 VDC)

JXC Series (For details, refer to page 57.)

10 Controller

Nil	Without controller
C□1□□	With controller

C D 1 7 T

Interface (Communication protocol/Input/Output)

Symbol	Type	Number of axes, Special specification	
		Standard	With STO sub-function
5	Parallel input (NPN)	●	
6	Parallel input (PNP)	●	
E	EtherCAT	●	●
9	EtherNet/IP™	●	●
P	PROFINET	●	●
D	DeviceNet®	●	
L	IO-Link	●	●
M	CC-Link	●	

Mounting

7	Screw mounting
8*15	DIN rail

Number of axes, Special specification

Symbol	Number of axes	Specification
1	Single axis	Standard
F	Single axis	With STO sub-function

Communication plug connector I/O cable*16

Symbol	Type	Applicable interface
Nil	Without accessory	—
S	Straight type communication plug connector	DeviceNet™ CC-Link Ver 1.10
T	T-branch type communication plug connector	DeviceNet™ CC-Link Ver 1.10
1	I/O cable (1.5 m)	Parallel input (NPN) Parallel input (PNP)
3	I/O cable (3 m)	
5	I/O cable (5 m)	

LEC Series (For details, refer to page 57.)

AN 1 □

10 11 12

10 Controller/Driver type*10

Nil	Without controller/driver	
6N	LECA6	NPN
6P	(Step data input type)	PNP
1N	LECP1 *11	NPN
1P	(Programless type)	PNP
AN	LECPA *11 *12	NPN
AP	(Pulse input type)	PNP

11 I/O cable length*13

Nil	Without cable (Without communication plug connector)	
1	1.5 m	
3	3 m*14	
5	5 m*14	

12 Controller/Driver mounting

Nil	Screw mounting
D	DIN rail*15

- *1 Please contact SMC for non-standard strokes as they are produced as special orders.
- *2 When "With lock" or "With lock/motor cover" is selected for the top/right/left side parallel motor types, the motor body will stick out from the end of the body for size 16/40 with strokes of 30 mm or less. Check for interference with workpieces before selecting a model.
- *3 The mounting bracket is shipped together with the product but does not come assembled.
- *4 For the horizontal cantilever mounting of the rod flange, head flange, or ends tapped types, use the actuator within the following stroke range.
·LEY25: 200 mm or less ·LEY32/40: 100 mm or less
- *5 For the mounting of the double clevis type, use the actuator within the following stroke range.
·LEY16: 100 mm or less ·LEY25: 200 mm or less ·LEY32/40: 200 mm or less
- *6 The rod flange type is not available for the LEY16/40 with a 30 mm stroke and motor option "With lock," "With lock/motor cover."
- *7 The head flange type is not available for the LEY32/40.
- *8 Produced upon receipt of order (Robotic cable only)
- *9 The standard cable should only be used on fixed parts.
For use on moving parts, select the robotic cable.
Refer to pages 258 and 259 if only the actuator cable is required.

- *10 For details on controllers/drivers and compatible motors, refer to the compatible controllers/drivers on the next page.
- *11 Only available for the motor type "Step motor"
- *12 When pulse signals are open collector, order the current limiting resistor (LEC-PA-R-□) on page 240 separately.
- *13 When "Without controller/driver" is selected for controller/driver types, I/O cable cannot be selected. Refer to page 224 (For LECA6), page 234 (For LECP1), or page 240 (For LECPA) if I/O cable is required.
- *14 When "Pulse input type" is selected for controller/driver types, pulse input usable only with differential. Only 1.5 m cables usable with open collector
- *15 The DIN rail is not included. It must be ordered separately.
- *16 Select "Nil" for anything other than DeviceNet™, CC-Link, or parallel input.
Select "Nil," "S," or "T" for DeviceNet™ or CC-Link.
Select "Nil," "1," "3," or "5" for parallel input.

⚠ Caution

[CE-compliant products]

- ① EMC compliance was tested by combining the electric actuator LEY series and the controller LEC/JXC series.
The EMC depends on the configuration of the customer's control panel and the relationship with other electrical equipment and wiring. Therefore, compliance with the EMC directive cannot be certified for SMC components incorporated into the customer's equipment under actual operating conditions. As a result, it is necessary for the customer to verify compliance with the EMC directive for the machinery and equipment as a whole.
- ② For the servo motor (24 VDC) specification, EMC compliance was tested by installing a noise filter set (LEC-NFA). Refer to page 224 for the noise filter set. Refer to the LECA series Operation Manual for installation.

[UL-compliant products (For the LEC series)]

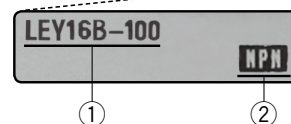
When compliance with UL is required, the electric actuator and controller/driver should be used with a UL1310 Class 2 power supply.

The actuator and controller/driver are sold as a package.

Confirm that the combination of the controller/driver and actuator is correct.

<Check the following before use.>

- ① Check the actuator label for the model number. This number should match that of the controller/driver.
- ② Check that the Parallel I/O configuration matches (NPN or PNP).

















* Refer to the "Operation Manual" for using the products. Please download it via our website: <https://www.smcworld.com>

LEY Series

Step Motor (Servo/24 VDC) Servo Motor (24 VDC)

Compatible Controllers/Drivers

Type	Step data input type	Step data input type	Programless type	Pulse input type
				
Series	JXC51 JXC61	LECA6	LECP1	LECPA
Features	Parallel I/O	Parallel I/O	Capable of setting up operation (step data) without using a PC or teaching box	Operation by pulse signals
Compatible motor	Step motor (Servo/24 VDC)	Servo motor (24 VDC)	Step motor (Servo/24 VDC)	
Max. number of step data	64 points		14 points	—
Power supply voltage	24 VDC			
Reference page	211	218	229	235

Type	EtherCAT direct input type	EtherCAT direct input type with STO sub-function	EtherNet/IP™ direct input type	EtherNet/IP™ direct input type with STO sub-function	PROFINET direct input type	PROFINET direct input type with STO sub-function	DeviceNet® direct input type	IO-Link direct input type	IO-Link direct input type with STO sub-function	CC-Link direct input type
										
Series	JXCE1	JXCEF	JXC91	JXC9F	JXCP1	JXC9F	JXCD1	JXCL1	JXCLF	JXCM1
Features	EtherCAT direct input	EtherCAT direct input with STO sub-function	EtherNet/IP™ direct input	EtherNet/IP™ direct input with STO sub-function	PROFINET direct input	PROFINET direct input with STO sub-function	DeviceNet® direct input	IO-Link direct input	IO-Link direct input with STO sub-function	CC-Link direct input
Compatible motor	Step motor (Servo/24 VDC)									
Max. number of step data	64 points									
Power supply voltage	24 VDC									
Reference page	241									

Specific Product
Precautions

AC Servo Motor
LECY LECS

Step Motor (Servo/24 VDC)/Servo Motor (24 VDC)
JXC LECPA LECPI LEC-G LEC-A6 JXC51/61

Environment
25A-LEY LEY-X5 LEY-X7

AC Servo Motor
LEYG LEY

Step Motor (Servo/24 VDC)/Servo Motor (24 VDC)
LEYG LEY

Model
Selection

Specifications

Step Motor (Servo/24 VDC)

Model		LEY16			LEY25			LEY32			LEY40				
Work load [kg] ^{*1}	Horizontal (JXC□1, JXC□F, LECP1)	(3000 [mm/s ²])	6	17	30	20	40	60	30	45	60	50	60	80	
		(2000 [mm/s ²])	10	23	35	30	55	70	40	60	80	60	70	90	
	Horizontal (LECPA, JXC□ $\frac{2}{3}$)	(3000 [mm/s ²])	4	11	20	12	30	30	20	40	40	30	60	60	
		(2000 [mm/s ²])	6	17	30	18	50	50	30	60	60	—	—	—	
	Vertical (3000 [mm/s ²])	2	4	8	8	16	30	11	22	43	13	27	53		
Pushing force [N] ^{*2 *3 *4}		14 to 38	27 to 74	51 to 141	63 to 122	126 to 238	232 to 452	80 to 189	156 to 370	296 to 707	132 to 283	266 to 553	562 to 1058		
Speed [mm/s] ^{*4}	JXC□1/LECP1		15 to 500	8 to 250	4 to 125	18 to 500	9 to 250	5 to 125	24 to 500	12 to 300	6 to 150	24 to 500	12 to 350	6 to 175	
	LECPA/JXC□ $\frac{2}{3}$									12 to 250	6 to 125	24 to 300	12 to 150	6 to 75	
Max. acceleration/deceleration [mm/s ²]		3000													
Pushing speed [mm/s] ^{*5}		50 or less			35 or less			30 or less			30 or less				
Positioning repeatability [mm]		±0.02													
Lost motion [mm] ^{*6}		0.1 or less													
Screw lead [mm]		10	5	2.5	12	6	3	16	8	4	16	8	4		
Impact/Vibration resistance [m/s ²] ^{*7}		50/20													
Actuation type		Ball screw + Belt (LEY□)/Ball screw (LEY□D)													
Guide type		Sliding bushing (Piston rod)													
Operating temperature range [°C]		5 to 40													
Operating humidity range [%RH]		90 or less (No condensation)													
Electric specifications	Motor size		□28			□42			□56.4			□56.4			
	Motor type		Step motor (Servo/24 VDC)												
	Encoder		Incremental												
	Power supply voltage [V]		24 VDC ±10%												
Power [W] ^{*8 *10}		Max. power 43			Max. power 48			Max. power 104			Max. power 106				
Lock unit specifications	Type ^{*9}		Non-magnetizing lock												
	Holding force [N]		20	39	78	78	157	294	108	216	421	127	265	519	
	Power [W] ^{*10}		2.9			5			5			5			
	Rated voltage [V]		24 VDC ±10%												

*1 Horizontal: The max. value of the work load. An external guide is necessary to support the load (Friction coefficient of guide: 0.1 or less). The actual work load and transfer speed change according to the condition of the external guide. Also, speed changes according to the work load. Check the "Model Selection" on pages 37 and 38.

Vertical: Speed changes according to the work load. Check the "Model Selection" on pages 37 and 38.

The values shown in () are the acceleration/deceleration.

Set these values to be 3000 [mm/s²] or less.

*2 Pushing force accuracy is ±20% (F.S.).

*3 The pushing force values for LEY16□ are 35% to 85%, for LEY25□ are 35% to 65%, for LEY32□ are 35% to 85%, and for LEY40□ are 35% to 65%.

The pushing force values change according to the duty ratio and pushing speed. Check the "Model Selection" on page 40.

*4 The speed and force may change depending on the cable length, load, and mounting conditions. Furthermore, if the cable length exceeds 5 m, then it will decrease by up to 10% for each 5 m. (At 15 m: Reduced by up to 20%)

*5 The allowable speed for pushing operation. When push conveying a workpiece, operate at the vertical work load or less.

*6 A reference value for correcting errors in reciprocal operation

*7 Impact resistance: No malfunction occurred when the actuator was tested with a drop tester in both an axial direction and a perpendicular direction to the lead screw. (The test was performed with the actuator in the initial state.)

Vibration resistance: No malfunction occurred in a test ranging between 45 to 2000 Hz. The test was performed in both an axial direction and a perpendicular direction to the lead screw. (The test was performed with the actuator in the initial state.)

*8 Indicates the max. power during operation (including the controller). This value can be used for the selection of the power supply.

*9 With lock only

*10 For an actuator with lock, add the power for the lock.

Specifications

Servo Motor (24 VDC)

Model		LEY16□A				LEY25□A				
Actuator specifications	Work load [kg]*1	Horizontal (3000 [mm/s ²])	3	6	12	7	15	30		
		Vertical (3000 [mm/s ²])	2	4	8	3	6	12		
	Pushing force [N]*2 *3		16 to 30	30 to 58	57 to 111	18 to 35	37 to 72	66 to 130		
	Speed [mm/s]		1 to 500	1 to 250	1 to 125	2 to 500	1 to 250	1 to 125		
	Max. acceleration/deceleration [mm/s ²]		3000							
	Pushing speed [mm/s]*4		50 or less				35 or less			
	Positioning repeatability [mm]		±0.02							
	Lost motion [mm]*5		0.1 or less							
	Screw lead [mm]		10	5	2.5	12	6	3		
	Impact/Vibration resistance [m/s ²]*6		50/20							
Actuation type		Ball screw + Belt (LEY□□)/Ball screw (LEY□□D)								
Guide type		Sliding bushing (Piston rod)								
Operating temperature range [°C]		5 to 40								
Operating humidity range [%RH]		90 or less (No condensation)								
Electric specifications	Motor size		□28				□42			
	Motor output [W]		30				36			
	Motor type		Servo motor (24 VDC)							
	Encoder		Incremental							
	Power supply voltage [V]		24 VDC ±10%							
Lock unit specifications	Power [W]*7 *9		Max. power 59				Max. power 96			
	Type*8		Non-magnetizing lock							
	Holding force [N]		20	39	78	78	157	294		
	Power [W]*9		2.9				5			
	Rated voltage [V]		24 VDC ±10%							

*1 Horizontal: The max. value of the work load. An external guide is necessary to support the load (Friction coefficient of guide: 0.1 or less). The actual work load and transfer speed change according to the condition of the external guide.

Vertical: Check the "Model Selection" on page 39 for details. The values shown in () are the acceleration/deceleration.

Set these values to be 3000 [mm/s²] or less.

*2 Pushing force accuracy is ±20% (F.S.).

*3 The thrust setting values for LEY16□ are 60% to 95% and for LEY25□ are 70% to 95%. The pushing force values change according to the duty ratio and pushing speed. Check the "Model Selection" on page 40.

*4 The allowable speed for pushing operation. When push conveying a workpiece, operate at the vertical work load or less.

*5 A reference value for correcting errors in reciprocal operation

*6 Impact resistance: No malfunction occurred when the actuator was tested with a drop tester in both an axial direction and a perpendicular direction to the lead screw. (The test was performed with the actuator in the initial state.) Vibration resistance: No malfunction occurred in a test ranging between 45 to 2000 Hz. The test was performed in both an axial direction and a perpendicular direction to the lead screw. (The test was performed with the actuator in the initial state.)

*7 Indicates the max. power during operation (including the controller). This value can be used for the selection of the power supply.

*8 With lock only

*9 For an actuator with lock, add the power for the lock.

Weight

Weight: Top/Right/Left Side Parallel Motor Type

Series		LEY16								LEY25								LEY32										
Stroke [mm]		30	50	100	150	200	250	300	30	50	100	150	200	250	300	350	400	30	50	100	150	200	250	300	350	400	450	500
Product weight [kg]	Step motor	0.58	0.62	0.73	0.87	0.98	1.09	1.20	1.18	1.25	1.42	1.68	1.86	2.03	2.21	2.38	2.56	2.09	2.20	2.49	2.77	3.17	3.46	3.74	4.03	4.32	4.60	4.89
	Servo motor	0.58	0.62	0.73	0.87	0.98	1.09	1.20	1.14	1.21	1.38	1.64	1.82	1.99	2.17	2.34	2.52	—	—	—	—	—	—	—	—	—	—	—

Series		LEY40										
Stroke [mm]		30	50	100	150	200	250	300	350	400	450	500
Product weight [kg]	Step motor	2.39	2.50	2.79	3.07	3.47	3.76	4.04	4.33	4.62	4.90	5.19
	Servo motor	—	—	—	—	—	—	—	—	—	—	—

Weight: In-line Motor Type

Series		LEY16D								LEY25D								LEY32D										
Stroke [mm]		30	50	100	150	200	250	300	30	50	100	150	200	250	300	350	400	30	50	100	150	200	250	300	350	400	450	500
Product weight [kg]	Step motor	0.58	0.62	0.73	0.87	0.98	1.09	1.20	1.17	1.24	1.41	1.67	1.85	2.02	2.20	2.37	2.55	2.08	2.19	2.48	2.76	3.16	3.45	3.73	4.02	4.31	4.59	4.88
	Servo motor	0.58	0.62	0.73	0.87	0.98	1.09	1.20	1.13	1.20	1.37	1.63	1.81	1.98	2.16	2.33	2.51	—	—	—	—	—	—	—	—	—	—	—

Series		LEY40D										
Stroke [mm]		30	50	100	150	200	250	300	350	400	450	500
Product weight [kg]	Step motor	2.38	2.49	2.78	3.06	3.46	3.75	4.03	4.32	4.61	4.89	5.18
	Servo motor	—	—	—	—	—	—	—	—	—	—	—

Additional Weight

Size	16	25	32	40	
Lock	0.12	0.26	0.53	0.53	
Motor cover	0.02	0.03	0.04	0.05	
Lock/Motor cover	0.16	0.32	0.61	0.62	
Rod end male thread	Male thread	0.01	0.03	0.03	0.03
	Nut	0.01	0.02	0.02	0.02
Foot bracket (2 sets including mounting bolt)	0.06	0.08	0.14	0.14	
Rod flange (including mounting bolt)	0.13	0.17	0.20	0.20	
Head flange (including mounting bolt)					
Double clevis (including pin, retaining ring, and mounting bolt)	0.08	0.16	0.22	0.22	

Model Selection

LEY

LEYG

LEY

LEYG

LEY

LEYG

LEY-X7

Environment

25A-LEY

LEY-X5

JXC51/61

LECA6

LECA6

LECG

LECP1

LECPA

JXC□

LECS□

Step Motor (Servo/24 VDC)/Servo Motor (24 VDC)

AC Servo Motor

Environment

Step Motor (Servo/24 VDC)/Servo Motor (24 VDC)

AC Servo Motor

Environment

Step Motor (Servo/24 VDC)/Servo Motor (24 VDC)

AC Servo Motor

Environment

Step Motor (Servo/24 VDC)/Servo Motor (24 VDC)

AC Servo Motor

Environment

Step Motor (Servo/24 VDC)/Servo Motor (24 VDC)

AC Servo Motor

Environment

Step Motor (Servo/24 VDC)/Servo Motor (24 VDC)

AC Servo Motor

Environment

Step Motor (Servo/24 VDC)/Servo Motor (24 VDC)

AC Servo Motor

Environment

Step Motor (Servo/24 VDC)/Servo Motor (24 VDC)

AC Servo Motor

Environment

Step Motor (Servo/24 VDC)/Servo Motor (24 VDC)

AC Servo Motor

Environment

Step Motor (Servo/24 VDC)/Servo Motor (24 VDC)

AC Servo Motor

Environment

Step Motor (Servo/24 VDC)/Servo Motor (24 VDC)

AC Servo Motor

Environment

Step Motor (Servo/24 VDC)/Servo Motor (24 VDC)

AC Servo Motor

Environment

Step Motor (Servo/24 VDC)/Servo Motor (24 VDC)

AC Servo Motor

Environment

Step Motor (Servo/24 VDC)/Servo Motor (24 VDC)

AC Servo Motor

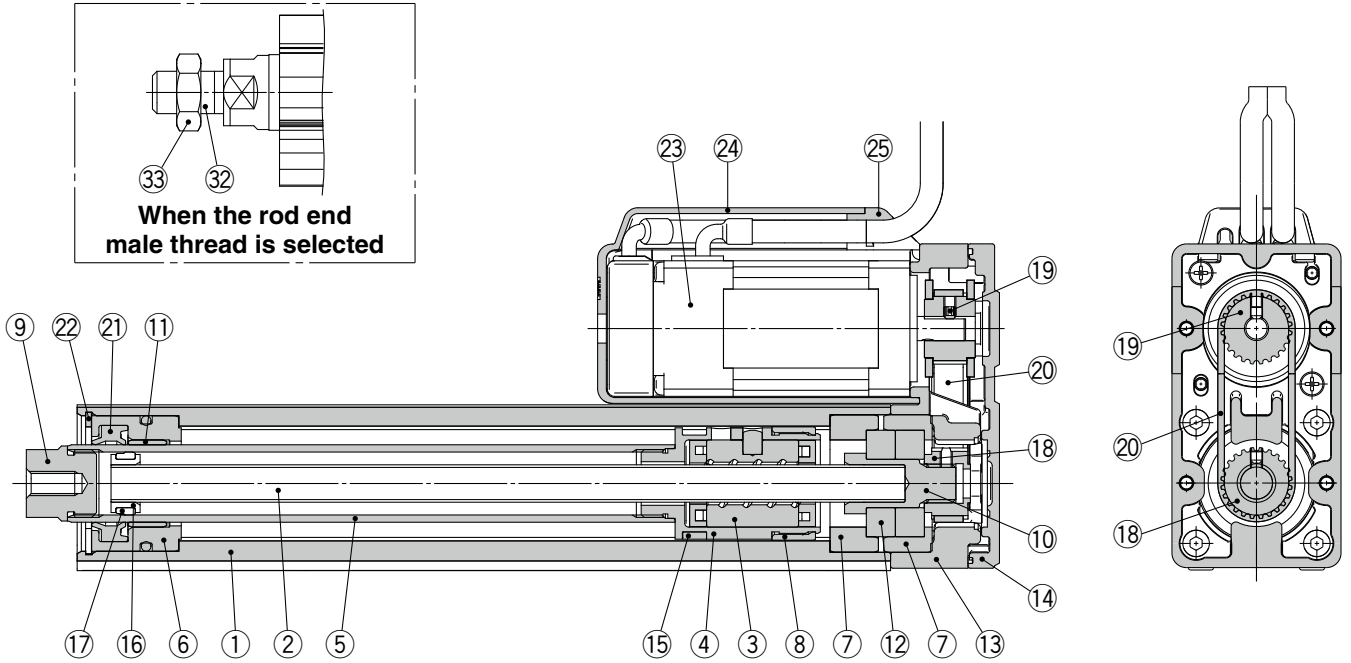
Environment

LEY Series

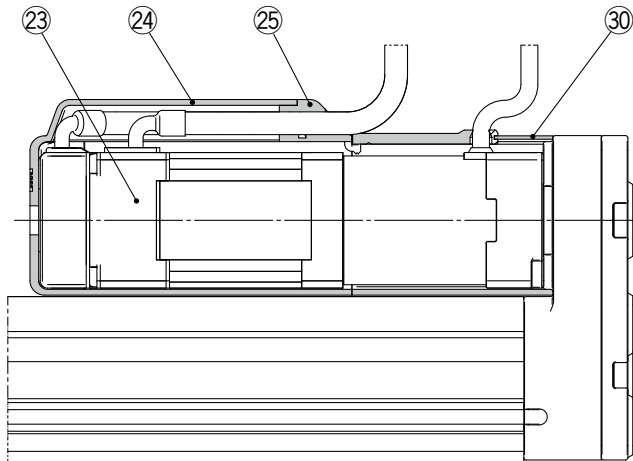
Step Motor (Servo/24 VDC) Servo Motor (24 VDC)

Construction

Top side parallel motor type: LEY **16**
25
32
40

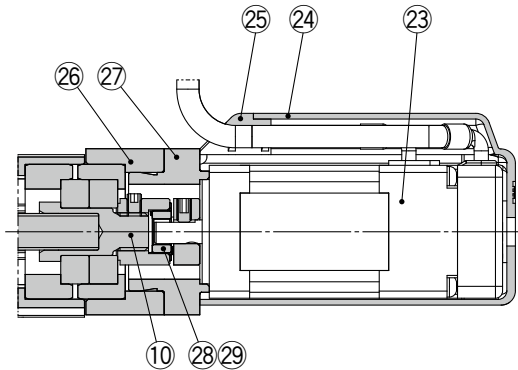


Top/Right/Left side parallel motor type
With lock/motor cover

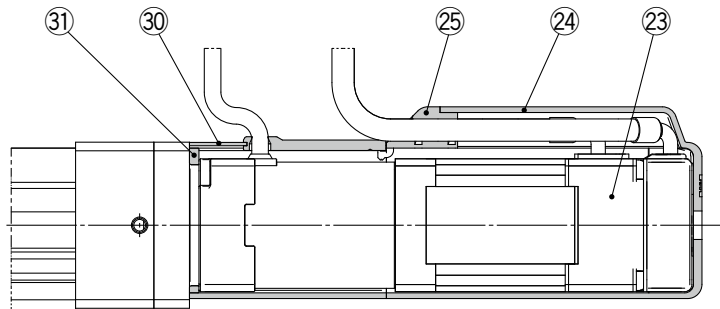


Construction

In-line motor type: LEY 16, 25, 32, 40 D



In-line motor type: With lock/motor cover



Component Parts

No.	Description	Material	Note
1	Body	Aluminum alloy	Anodized
2	Ball screw shaft	Alloy steel	
3	Ball screw nut	Synthetic resin/Alloy steel	
4	Piston	Aluminum alloy	
5	Piston rod	Stainless steel	Hard chrome plating
6	Rod cover	Aluminum alloy	
7	Bearing holder	Aluminum alloy	
8	Rotation stopper	Synthetic resin	
9	Socket	Free cutting carbon steel	Nickel plating
10	Connected shaft	Free cutting carbon steel	Nickel plating [Sizes 32 and 40 only]
11	Bushing	Bearing alloy	
12	Bearing	—	
13	Return box	Aluminum die-cast	Coating
14	Return plate	Aluminum die-cast	Coating
15	Magnet	—	
16	Wear ring holder	Stainless steel	Stroke 101 mm or more
17	Wear ring	Synthetic resin	Stroke 101 mm or more
18	Screw shaft pulley	Aluminum alloy	
19	Motor pulley	Aluminum alloy	
20	Belt	—	
21	Seal	NBR	
22	Retaining ring	Steel for spring	Phosphate coating
23	Motor	—	

No.	Description	Material	Note
24	Motor cover	Synthetic resin	Only "With motor cover"
25	Grommet	Synthetic resin	Only "With motor cover"
26	Motor block	Aluminum alloy	Anodized
27	Motor adapter	Aluminum alloy	Anodized/LEY16, 25 only
28	Hub	Aluminum alloy	
29	Spider	NBR	
30	Motor cover with lock	Aluminum alloy	Only "With lock/motor cover"
31	Cover support	Aluminum alloy	Only "With lock/motor cover"
32	Socket (Male thread)	Free cutting carbon steel	Nickel plating
33	Nut	Alloy steel	Zinc chromating

Replacement Parts (Top/Right/Left side parallel only)/Belt

No.	Size	Order no.
20	16	LE-D-2-1
	25	LE-D-2-2
	32, 40	LE-D-2-3

Replacement Parts/Grease Pack

Applied portion	Order no.
Piston rod	GR-S-010 (10 g) GR-S-020 (20 g)

Model Selection

Step Motor (Servo/24 VDC)/Servo Motor (24 VDC)

AC Servo Motor

Environment

Step Motor (Servo/24 VDC)/Servo Motor (24 VDC)

Environment

Step Motor (Servo/24 VDC)/Servo Motor (24 VDC)

Environment

Step Motor (Servo/24 VDC)/Servo Motor (24 VDC)

Environment

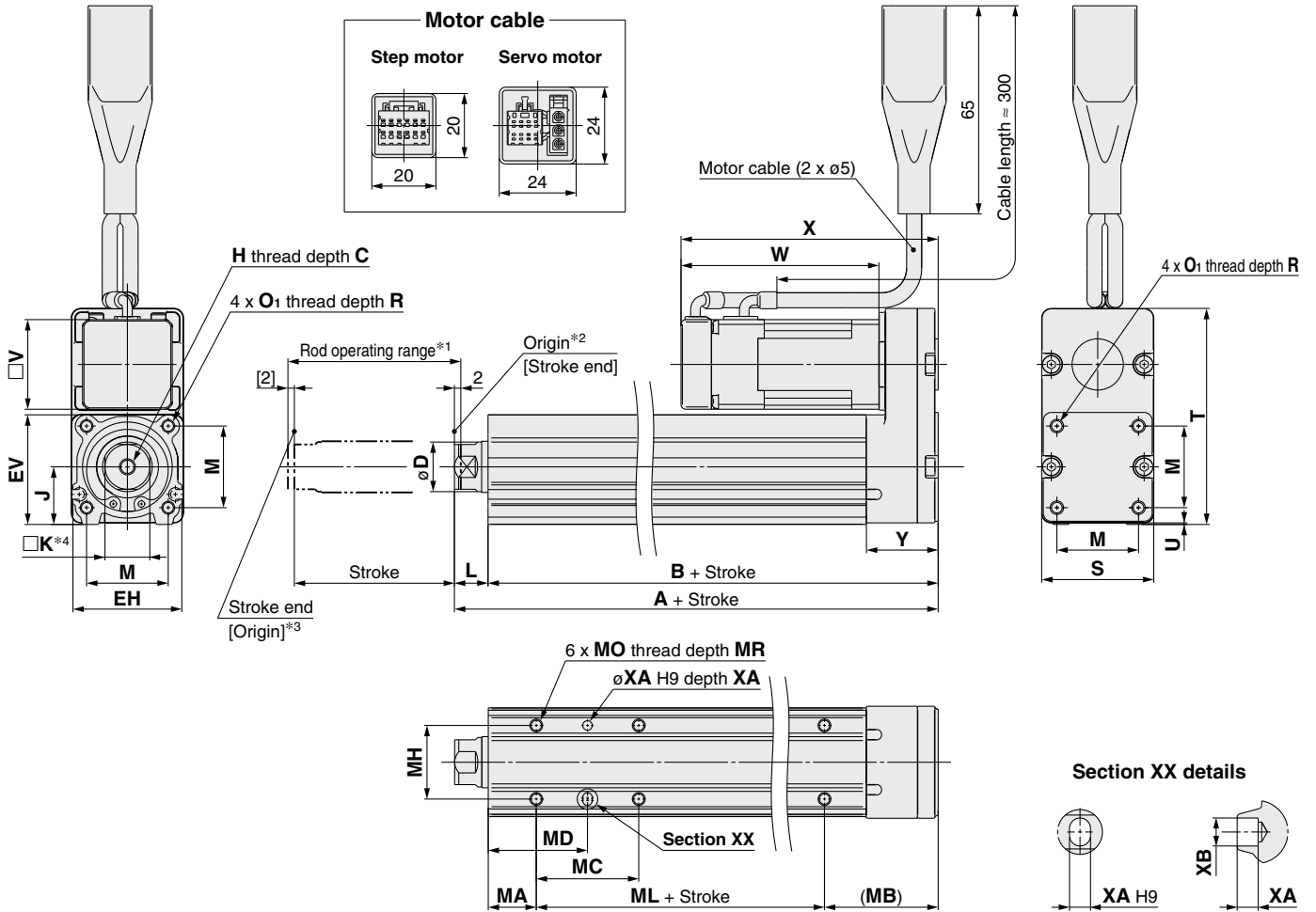
Step Motor (Servo/24 VDC)/Servo Motor (24 VDC)

Environment

Step Motor (Servo/24 VDC)/Servo Motor (24 VDC)

Environment

Dimensions: Top/Right/Left Side Parallel Motor



- *1 This is the range within which the rod can move when it returns to origin. Make sure that workpieces mounted on the rod do not interfere with other workpieces or the facilities around the rod.
- *2 Position after returning to origin
- *3 [] for when the direction of return to origin has changed
- *4 The direction of rod end width across flats (□K) differs depending on the products.

Size	Stroke range [mm]	[mm]																	Step motor		Servo motor		Y
		A	B	C	D	EH	EV	H	J	K	L	M	O ₁	R	S	T	U	V	W	X	W	X	
16	10 to 100	101	90.5	10	16	34	34.3	M5 x 0.8	18	14	10.5	25.5	M4 x 0.7	7	35	67.5	0.5	28	61.8	80.3	62.5	81	22.5
	101 to 300	121	110.5																				
25	15 to 100	130.5	116	13	20	44	45.5	M8 x 1.25	24	17	14.5	34	M5 x 0.8	8	46	92	1	42	63.4	85.4	59.6	81.6	26.5
	101 to 400	155.5	141																				
32	20 to 100	148.5	130	13	25	51	56.5	M8 x 1.25	31	22	18.5	40	M6 x 1.0	10	60	118	1	56.4	68.4	95.4	—	—	34
	101 to 500	178.5	160																				
40	20 to 100	148.5	130	13	25	51	56.5	M8 x 1.25	31	22	18.5	40	M6 x 1.0	10	60	118	1	56.4	90.4	117.4	—	—	34
	101 to 500	178.5	160																				

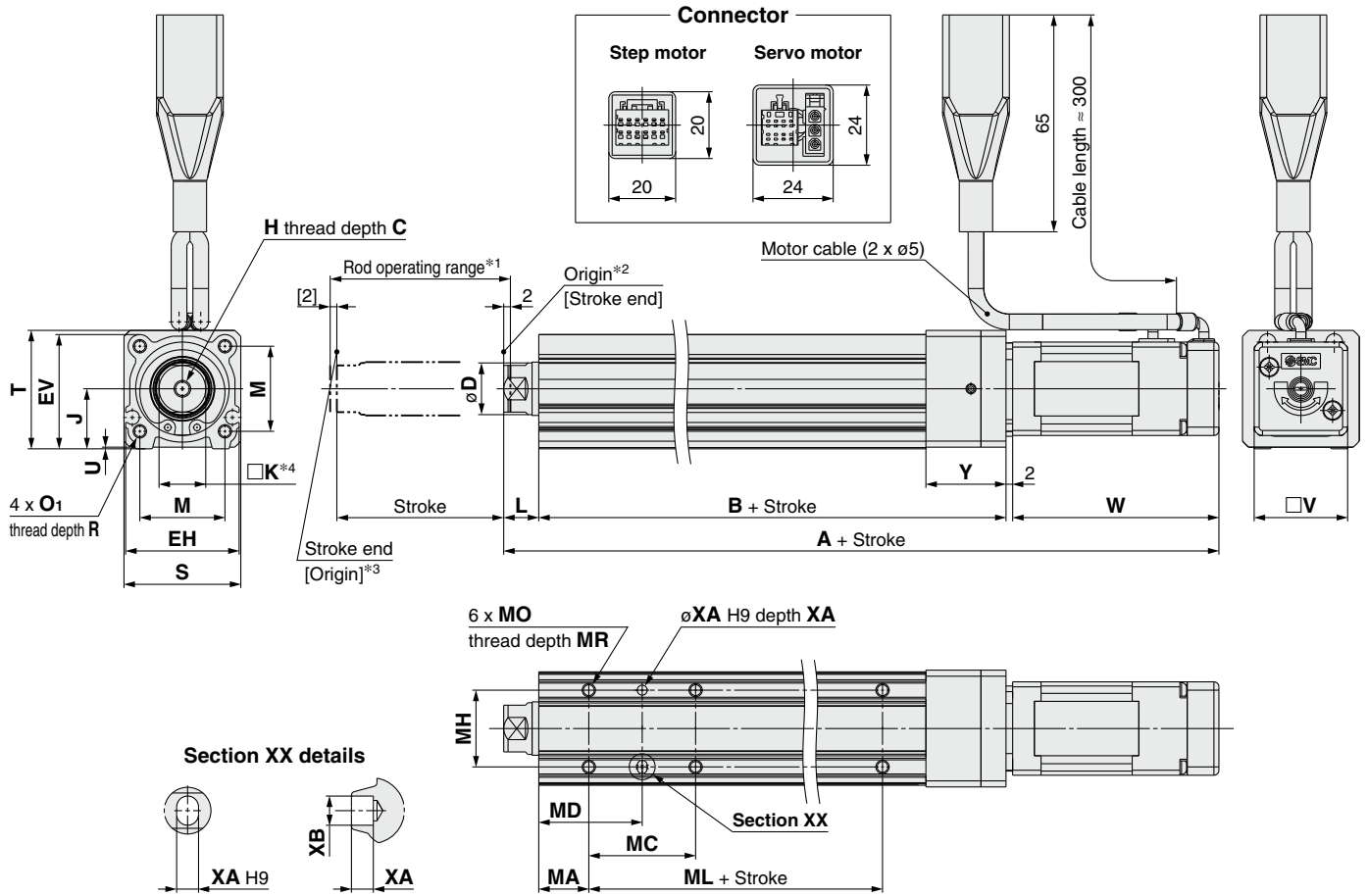
Body Bottom Tapped

Size	Stroke range [mm]	[mm]										
		MA	MB	MC	MD	MH	ML	MO	MR	XA	XB	
16	10 to 39	15	35.5	17	23.5	23	40	M4 x 0.7	5.5	3	4	
	40 to 100			32	31							
	101 to 300			62	46							60
25	15 to 39	20	46	24	32	29	50	M5 x 0.8	6.5	4	5	
	40 to 100			42	41							
	101 to 124			59	49.5							75
	125 to 200			76	58							
32	20 to 39	25	55	22	36	30	50	M6 x 1	8.5	5	6	
	40 to 100			36	43							
	101 to 124			53	51.5							80
	125 to 200			70	60							

LEY Series

Step Motor (Servo/24 VDC) Servo Motor (24 VDC)

Dimensions: In-line Motor



- *1 This is the range within which the rod can move when it returns to origin. Make sure that workpieces mounted on the rod do not interfere with other workpieces or the facilities around the rod.
- *2 Position after returning to origin
- *3 [] for when the direction of return to origin has changed
- *4 The direction of rod end width across flats (□K) differs depending on the products.

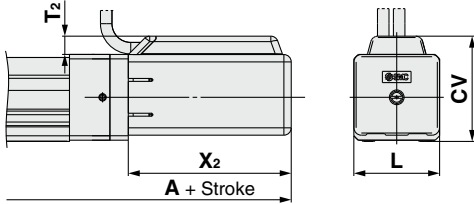
Size	Stroke range [mm]	Step motor		Servo motor		B	C	D	EH	EV	H	J	K	L	M	O ₁	R	S	T	U	V	Step motor	Servo motor	Y
		A																				W		
16	10 to 100	166.3	167	92	10	16	34	34.3	M5 x 0.8	18	14	10.5	25.5	M4 x 0.7	7	35	35.5	0.5	28	61.8	62.5	24		
	101 to 300	186.3	187	112																			61.8	62.5
25	15 to 100	195.4	191.6	115.5	13	20	44	45.5	M8 x 1.25	24	17	14.5	34	M5 x 0.8	8	45	46.5	1.5	42	63.4	59.6	26		
	101 to 400	220.4	216.6	140.5																			63.4	59.6
32	20 to 100	216.9	—	128	13	25	51	56.5	M8 x 1.25	31	22	18.5	40	M6 x 1	10	60	61	1	56.4	68.4	—	32		
	101 to 500	246.9	—	158																			68.4	—
40	20 to 100	238.9	—	128	13	25	51	56.5	M8 x 1.25	31	22	18.5	40	M6 x 1	10	60	61	1	56.4	90.4	—	32		
	101 to 500	268.9	—	158																			90.4	—

Body Bottom Tapped

Size	Stroke range [mm]	MA	MC	MD	MH	ML	MO	MR	XA	XB
16	10 to 39	15	17	23.5	23	40	M4 x 0.7	5.5	3	4
	40 to 100		32	31						
	101 to 300		62	46						
25	15 to 39	20	24	32	29	50	M5 x 0.8	6.5	4	5
	40 to 100		42	41						
	101 to 124		59	49.5						
	125 to 200		76	58						
	201 to 400		76	58						
32	20 to 39	25	22	36	30	50	M6 x 1	8.5	5	6
	40 to 100		36	43						
	101 to 124		53	51.5						
	125 to 200		53	51.5						
	201 to 500		70	60						

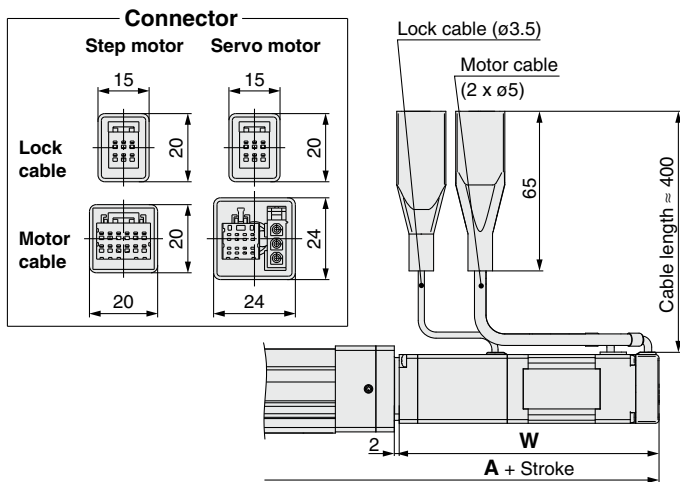
Dimensions: In-line Motor

With motor cover: LEY ¹⁶₂₅₃₂₄₀ D □ B □ C



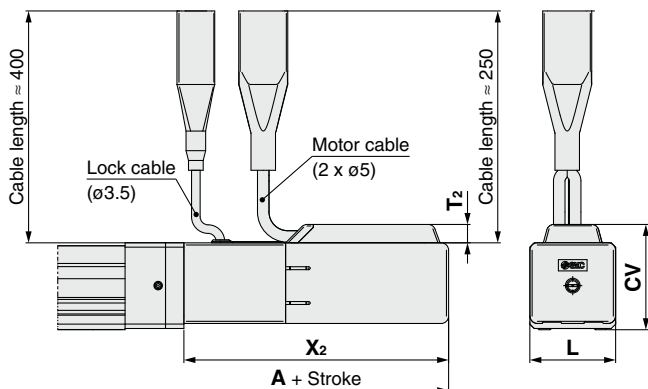
Size	Stroke range	A	T ₂	X ₂	L	CV
16	100st or less	169	7.5	66.5	35	43
	101st or more, 300st or less	189				
25	100st or less	198.5	7.5	68.5	46	54.5
	101st or more, 400st or less	223.5				
32	100st or less	220	7.5	73.5	60	68.5
	101st or more, 500st or less	250				
40	100st or less	242	7.5	95.5	60	68.5
	101st or more, 500st or less	272				

With lock: LEY ¹⁶₂₅₃₂₄₀ D □ B □ B



Size	Stroke range	Step motor	Servo motor	Step motor	Servo motor
		A		W	
16	100st or less	207.8	208.5	103.3	104
	101st or more, 300st or less	227.8	228.5		
25	100st or less	235.9	232.1	103.9	100.1
	101st or more, 400st or less	260.9	257.1		
32	100st or less	259.9	—	111.4	—
	101st or more, 500st or less	289.9	—		
40	100st or less	281.9	—	133.4	—
	101st or more, 500st or less	311.9	—		

With lock/motor cover: LEY ¹⁶₂₅₃₂₄₀ D □ B □ W



Size	Stroke range	A	T ₂	X ₂	L	CV
16	100st or less	210.5	7.5	108	35	43
	101st or more, 300st or less	230.5				
25	100st or less	239	7.5	109	46	54.4
	101st or more, 400st or less	264				
32	100st or less	263	7.5	116.5	60	68.5
	101st or more, 500st or less	293				
40	100st or less	285	7.5	138.5	60	68.5
	101st or more, 500st or less	315				

Model Selection

LEY

LEYG

LEY

LEYG

LEY

LEYX7

LEYX5

25A-LEY

JXC51/61

LECA6

LEC-G

LECP1

LECPA

JXC □

LECS □

LECY □

Step Motor (Servo/24 VDC)/Servo Motor (24 VDC)

AC Servo Motor

Environment

Step Motor (Servo/24 VDC)/Servo Motor (24 VDC)

Step Motor (Servo/24 VDC)/Servo Motor (24 VDC)

Step Motor (Servo/24 VDC)/Servo Motor (24 VDC)

Step Motor (Servo/24 VDC)/Servo Motor (24 VDC)

Step Motor (Servo/24 VDC)/Servo Motor (24 VDC)

Step Motor (Servo/24 VDC)/Servo Motor (24 VDC)

Step Motor (Servo/24 VDC)/Servo Motor (24 VDC)

Step Motor (Servo/24 VDC)/Servo Motor (24 VDC)

Step Motor (Servo/24 VDC)/Servo Motor (24 VDC)

Step Motor (Servo/24 VDC)/Servo Motor (24 VDC)

Specific Product Precautions

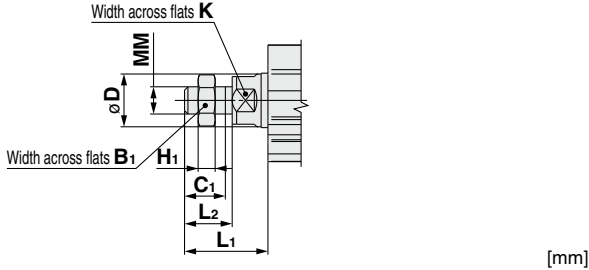
LEY Series

Step Motor (Servo/24 VDC)

Servo Motor (24 VDC)

Dimensions

End male thread: LEY $\begin{matrix} 16 \\ 25 \\ 32 \\ 40 \end{matrix}$ $\begin{matrix} A \\ B \\ C \end{matrix}$ $\square\square$ $\square\square$ M

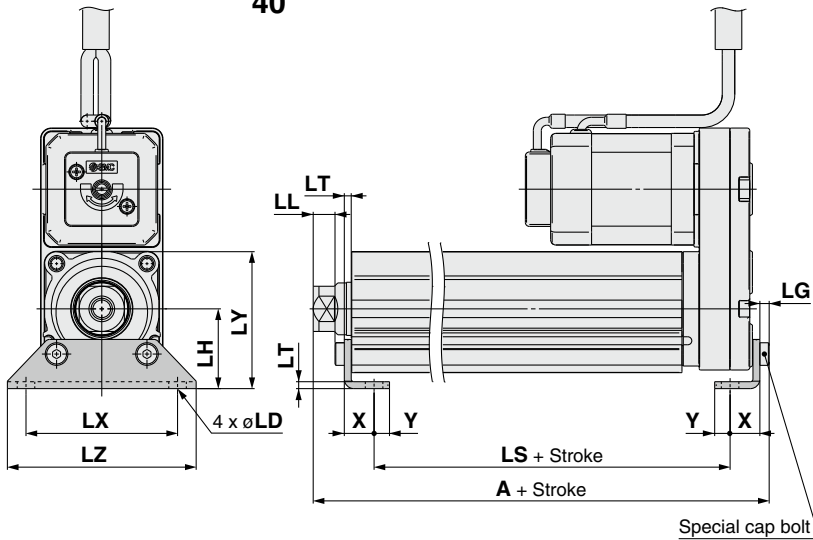


Size	B ₁	C ₁	D	H ₁	K	L ₁	L ₂	MM
16	13	12	16	5	14	24.5	14	M8 x 1.25
25	22	20.5	20	8	17	38	23.5	M14 x 1.5
32, 40	22	20.5	25	8	22	42.0	23.5	M14 x 1.5

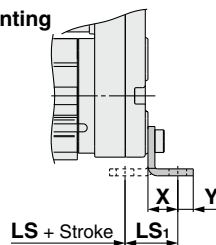
- * Refer to pages 101 and 102 for details on the rod end nut and mounting bracket.
- * Refer to the "Handling" precautions on pages 204 to 207 when mounting end brackets such as knuckle joint or workpieces.

* The L₁ measurement is when the unit is in the original position.
At this position, 2 mm at the end.

Foot bracket: LEY $\begin{matrix} 16 \\ 25 \\ 32 \\ 40 \end{matrix}$ $\begin{matrix} A \\ B \\ C \end{matrix}$ $\square\square\square\square$ L



Outward mounting



- Included parts
- Foot bracket
 - Body mounting bolt

Foot Bracket

Size	Stroke range [mm]	A	LS	LS ₁	LL	LD	LG	LH	LT	LX	LY	LZ	X	Y
16	10 to 100	106.1	76.7	16.1	5.4	6.6	2.8	24	2.3	48	40.3	62	9.2	5.8
	101 to 300	126.1	96.7											
25	15 to 100	136.6	98.8	19.8	8.4	6.6	3.5	30	2.6	57	51.5	71	11.2	5.8
	101 to 400	161.6	123.8											
32	20 to 100	155.7	114	19.2	11.3	6.6	4	36	3.2	76	61.5	90	11.2	7
	101 to 500	185.7	144											

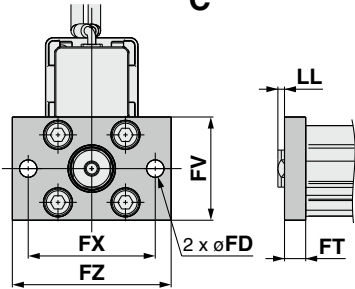
Material: Carbon steel (Chromating)

* The A measurement is when the unit is in the original position. At this position, 2 mm at the end.

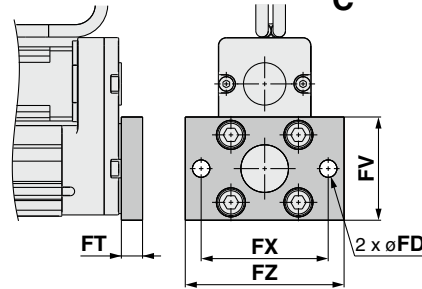
* When the motor mounting is the right or left side parallel type, the head side foot bracket should be mounted outward.

Dimensions

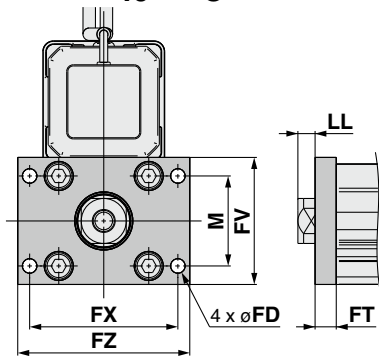
Rod flange: LEY16 B- F
A
C



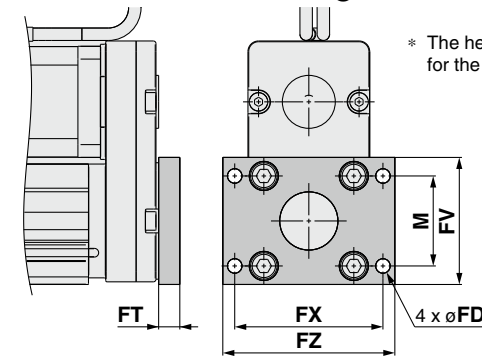
Head flange: LEY16 B- G
A
C



Rod flange: LEY32 B- F
25 A
40 C



Head flange: LEY25 B- G
A
C



* The head flange type is not available for the LEY32/40.

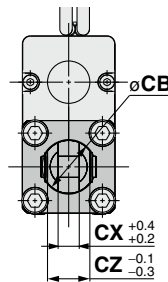
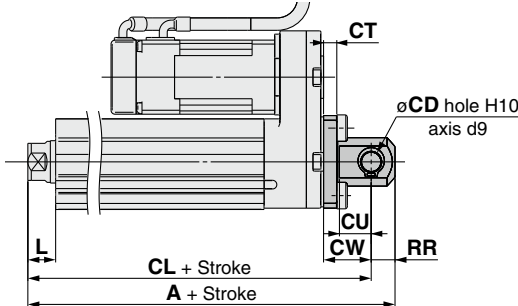
- Included parts
- Flange
 - Body mounting bolt

Rod/Head Flange [mm]

Size	FD	FT	FV	FX	FZ	LL	M
16	6.6	8	39	48	60	2.5	—
25	5.5	8	48	56	65	6.5	34
32, 40	5.5	8	54	62	72	10.5	40

Material: Carbon steel (Nickel plating)

Double clevis: LEY16 B- D
A
C



- Included parts
- Double clevis
 - Body mounting bolt
 - Clevis pin
 - Retaining ring

* Refer to pages 101 and 102 for details on the rod end nut and mounting bracket.

Double Clevis [mm]

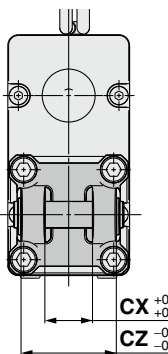
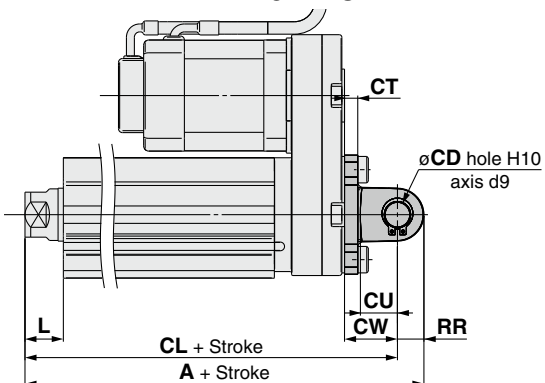
Size	Stroke range [mm]	A	CL	CB	CD	CT
16	10 to 100	128	119	20	8	5
	15 to 100	160.5	150.5	—	10	5
25	101 to 200	185.5	175.5	—	10	6
	20 to 100	180.5	170.5	—	10	6
32	101 to 200	210.5	200.5	—	10	6
	20 to 100	180.5	170.5	—	10	6
40	101 to 200	210.5	200.5	—	10	6
	20 to 100	180.5	170.5	—	10	6

Size	Stroke range [mm]	CU	CW	CX	CZ	L	RR
16	10 to 100	12	18	8	16	10.5	9
	15 to 100	14	20	18	36	14.5	10
25	101 to 200	14	22	18	36	18.5	10
	20 to 100	14	22	18	36	18.5	10
32	101 to 200	14	22	18	36	18.5	10
	20 to 100	14	22	18	36	18.5	10
40	101 to 200	14	22	18	36	18.5	10
	20 to 100	14	22	18	36	18.5	10

Material: Cast iron (Coating)

* The A and CL measurements are when the unit is in the original position. At this position, 2 mm at the end.

Double clevis: LEY32 B- D
25 A
40 C



Model Selection

LEY

LEYG

LEY

LEYG

Environment

LEY-X7

LEY-X5

25A-LEY

JXC51/61

LECA6

LEC-G

LECP1

LECPA

JXC

AC Servo Motor

LECS

LECY

Specific Product Precautions

Electric Actuator Rod Type



* For details, refer to page 307 and onward.

LEY Series LEY25, 32 Size 25, 32

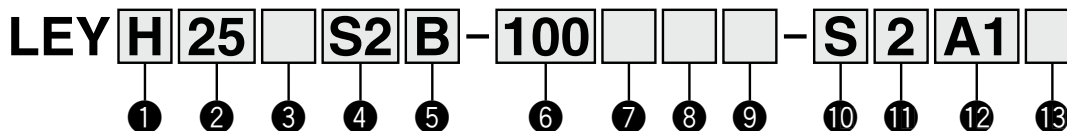


LEY Series ▶ p. 91 **Dust-tight/Water-jet-proof** ▶ p. 181

Secondary Battery Compatible ▶ p. 199

The LECSB-S, LECS-C-S, and LECS-S electric actuator drivers are to be discontinued. The LECSB-T, LECS-C-T, and LECS-T drivers are available as substitutes. In the product number, select T6 instead of S6, or T7 instead of S7 for the **Motor type**, and select B2 instead of B1, C2 instead of C1, or S2 instead of S1 for the **Driver type**.

How to Order



1 Accuracy

Nil	Basic type
H	High-precision type

2 Size

25
32

3 Motor mounting position

Nil	Top side parallel
R	Right side parallel
L	Left side parallel
D	In-line

4 Motor type

Symbol	Type	Output [W]	Actuator size	Compatible drivers*3
S2*1	AC servo motor (Incremental encoder)	100	25	LECSA□-S1
S3		200	32	LECSA□-S3
S6*1	AC servo motor (Absolute encoder)	100	25	LECSB□-S5 LECS-C□-S5 LECS-S□-S5
S7		200	32	LECSB□-S7 LECS-C□-S7 LECS-S□-S7
T6*2	AC servo motor (Absolute encoder)	100	25	LECSB2-T5 LECS-C2-T5 LECSN2-T5-□ LECSS2-T5
T7		200	32	LECSB2-T7 LECS-C2-T7 LECSN2-T7-□ LECSS2-T7

*1 For motor type S2 and S6, the compatible driver part number suffixes are S1 and S5 respectively.

*2 For motor type T6, the compatible driver part number is LECS□2-T5.

*3 For details on the driver, refer to page 264.

5 Lead [mm]

Symbol	LEY25	LEY32*1
A	12	16 (20)
B	6	8 (10)
C	3	4 (5)

*1 The values shown in () are the leads for the size 32 top/right/left side parallel motor types. (Equivalent leads which include the pulley ratio [1.25:1])

6 Stroke [mm]

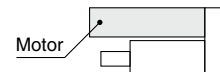
30	30
to	to
500	500

* For details, refer to the applicable stroke table below.

7 Motor option

Nil	Without option
B	With lock*1

*1 When "With lock" is selected for the top/right/left side parallel motor types, the motor body will stick out from the end of the body for size 25 with strokes of 30 mm or less. Check for interference with workpieces before selecting a model.



8 Rod end thread

Nil	Rod end female thread
M	Rod end male thread (1 rod end nut is included.)

9 Mounting*1

Symbol	Type	Motor mounting position	
		Parallel	In-line
Nil	Ends tapped/ Body bottom tapped *2	●	●
L	Foot bracket	●	—
F	Rod flange*2	●*4	●
G	Head flange*2	●*5	—
D	Double clevis*3	●	—

*1 The mounting bracket is shipped together with the product but does not come assembled.

*2 For the horizontal cantilever mounting of the rod flange, head flange, or ends tapped types, use the actuator within the following stroke range.
• LEY25: 200 mm or less • LEY32: 100 mm or less

*3 For the mounting of the double clevis type, use the actuator within the following stroke range.
• LEY25: 200 mm or less • LEY32: 200 mm or less

*4 The rod flange type is not available for the LEY25 with a 30 mm stroke and motor option "With lock."

*5 The head flange type is not available for the LEY32.

Applicable Stroke Table

Model	Stroke [mm]	30	50	100	150	200	250	300	350	400	450	500	Manufacturable stroke range
		●	●	●	●	●	●	●	●	●	●	●	
LEY25		●	●	●	●	●	●	●	●	●	—	—	15 to 400
LEY32		●	●	●	●	●	●	●	●	●	●	●	20 to 500

* Please contact SMC for non-standard strokes as they are produced as special orders.

For auto switches, refer to pages 104 to 107.

Specifications: LECSA/LECSB/LECSC/LECSS

* Refer to the next page for the LECSS-T.

Model			LEY25S ₆ ² (Parallel)/LEY25DS ₆ ² (In-line)			LEY32S ₇ ³ (Parallel)			LEY32DS ₇ ³ (In-line)			
Actuator specifications	Work load [kg]	Horizontal ^{*1}	18	50	50	30	60	60	30	60	60	
		Vertical	8	16	30	9	19	37	12	24	46	
	Force [N] ^{*2} (Set value: 15 to 30%)		65 to 131	127 to 255	242 to 485	79 to 157	154 to 308	294 to 588	98 to 197	192 to 385	368 to 736	
	Max. speed [mm/s]	Stroke range	Up to 300	900	450	225	1200	600	300	1000	500	250
			305 to 400	600	300	150						
			405 to 500	—	—	—	800	400	200	640	320	160
	Pushing speed [mm/s] ^{*4}		35 or less			30 or less			30 or less			
	Max. acceleration/deceleration [mm/s ²]		5000			5000						
	Positioning repeatability [mm]		Basic type				±0.02		High-precision type		±0.01	
	Lost motion [mm] ^{*5}		Basic type				0.1 or less		High-precision type		0.05 or less	
	Lead [mm] (including pulley ratio)		12	6	3	20	10	5	16	8	4	
	Impact/Vibration resistance [m/s ²] ^{*6}		50/20			50/20						
	Actuation type		Ball screw + Belt (LEY□)/Ball screw (LEY□D)			Ball screw + Belt [1.25:1]			Ball screw			
	Guide type		Sliding bushing (Piston rod)			Sliding bushing (Piston rod)						
Operating temperature range [°C]		5 to 40			5 to 40							
Operating humidity range [%RH]		90 or less (No condensation)			90 or less (No condensation)							
Regeneration option		May be required depending on speed and work load (Refer to pages 43 and 44.)										
Motor output/Size		100 W/□40			200 W/□60							
Motor type		AC servo motor (100/200 VAC)			AC servo motor (100/200 VAC)							
Encoder		Motor type S2, S3: Incremental 17-bit encoder (Resolution: 131072 p/rev) Motor type S6, S7: Absolute 18-bit encoder (Resolution: 262144 p/rev)										
Power [W] ^{*7}		Max. power 445			Max. power 724			Max. power 724				
Type ^{*8}		Non-magnetizing lock										
Lock unit specifications	Holding force [N]		131	255	485	157	308	588	197	385	736	
	Power [W] at 20°C		6.3			7.9			7.9			
	Rated voltage [V]		24 VDC ⁰ / _{-10%}									

- *1 This is the max. value of the horizontal work load. An external guide is necessary to support the load (Friction coefficient of guide: 0.1 or less). The actual work load changes according to the condition of the external guide. Confirm the load using the actual device.
- *2 The force setting range (set values for the driver) for the force control with the torque control mode. Set it while referencing the "Force Conversion Graph" on page 45.
The driver applicable to the pushing operation is "LECSS".
Combine the LECSS with upper level equipment (such as the Simple Motion module manufactured by Mitsubishi Electric Corporation) which has a pushing operation function.
** For customer-provided PLC and motion controller setting and usage instructions, confirm with the retailer or manufacturer.
- *3 The allowable speed changes according to the stroke. Set the number of rotations according to speed.

- *4 The allowable collision speed for collision with the workpiece with the torque control mode
- *5 A reference value for correcting errors in reciprocal operation
- *6 Impact resistance: No malfunction occurred when the actuator was tested with a drop tester in both an axial direction and a perpendicular direction to the lead screw. (The test was performed with the actuator in the initial state.)
Vibration resistance: No malfunction occurred in a test ranging between 45 to 2000 Hz. The test was performed in both an axial direction and a perpendicular direction to the lead screw. (The test was performed with the actuator in the initial state.)
- *7 Indicates the max. power during operation (including the driver)
When selecting the power supply capacity, refer to the power supply capacity in the operation manual of each driver.
- *8 Only when motor option "With lock" is selected

Weight

Product Weight

Series		LEY25S ₆ ² (Motor mounting position: Parallel)									LEY32S ₇ ³ (Motor mounting position: Parallel)										
Stroke [mm]		30	50	100	150	200	250	300	350	400	30	50	100	150	200	250	300	350	400	450	500
Motor type	Incremental encoder	1.31	1.38	1.55	1.81	1.99	2.16	2.34	2.51	2.69	2.42	2.53	2.82	3.29	3.57	3.85	4.14	4.42	4.70	4.98	5.26
	Absolute encoder	1.37	1.44	1.61	1.87	2.05	2.22	2.40	2.57	2.75	2.36	2.47	2.76	3.23	3.51	3.79	4.08	4.36	4.64	4.92	5.20

Series		LEY25DS ₆ ² (Motor mounting position: In-line)									LEY32DS ₇ ³ (Motor mounting position: In-line)										
Stroke [mm]		30	50	100	150	200	250	300	350	400	30	50	100	150	200	250	300	350	400	450	500
Motor type	Incremental encoder	1.34	1.41	1.58	1.84	2.02	2.19	2.37	2.54	2.72	2.44	2.55	2.84	3.31	3.59	3.87	4.16	4.44	4.72	5.00	5.28
	Absolute encoder	1.40	1.47	1.64	1.90	2.08	2.25	2.43	2.60	2.78	2.38	2.49	2.78	3.25	3.53	3.81	4.10	4.38	4.66	4.94	5.22

Additional Weight

Size		25	32
Lock	Incremental encoder	0.20	0.40
	Absolute encoder [S6/S7]	0.30	0.66
Rod end male thread	Male thread	0.03	0.03
	Nut	0.02	0.02
Foot bracket (2 sets including mounting bolt)		0.08	0.14
Rod flange (including mounting bolt)		0.17	0.20
Head flange (including mounting bolt)			
Double clevis (including pin, retaining ring, and mounting bolt)		0.16	0.22

Specifications: LECS□-T

Model		LEY25T6 (Parallel)/LEY25DT6 (In-line)			LEY32T7 (Parallel)			LEY32DT7 (In-line)				
Actuator specifications	Work load [kg]	Horizontal*1	18	50	50	30	60	60	30	60	60	
		Vertical	8	16	30	9	19	37	12	24	46	
	Force [N]*2 (Set value: 12 to 24%)		65 to 131	127 to 255	242 to 485	79 to 157	154 to 308	294 to 588	98 to 197	192 to 385	368 to 736	
	Max. speed [mm/s]*3	Stroke range	Up to 300	900	450	225	1200	600	300	1000	500	250
			305 to 400	600	300	150						
			405 to 500	—	—	—	800	400	200	640	320	160
	Pushing speed [mm/s]*4		35 or less			30 or less			30 or less			
	Max. acceleration/deceleration [mm/s ²]		5000			5000			5000			
	Positioning repeatability [mm]		Basic type		±0.02		±0.02		±0.02		±0.01	
			High-precision type		±0.01		±0.01		±0.01		±0.01	
Lost motion*5 [mm]		Basic type		0.1 or less		0.1 or less		0.1 or less		0.1 or less		
		High-precision type		0.05 or less		0.05 or less		0.05 or less		0.05 or less		
Lead [mm] (including pulley ratio)		12	6	3	20	10	5	16	8	4		
Impact/Vibration resistance [m/s ²]*6		50/20			50/20			50/20				
Actuation type		Ball screw + Belt (LEY□)/Ball screw (LEY□□)			Ball screw + Belt [1.25:1]			Ball screw				
Guide type		Sliding bushing (Piston rod)			Sliding bushing (Piston rod)			Sliding bushing (Piston rod)				
Operating temperature range [°C]		5 to 40			5 to 40			5 to 40				
Operating humidity range [%RH]		90 or less (No condensation)			90 or less (No condensation)			90 or less (No condensation)				
Regeneration option		May be required depending on speed and work load (Refer to pages 43 and 44.)										
Motor output/Size		100 W/□40			200 W/□60			200 W/□60				
Motor type		AC servo motor (200 VAC)			AC servo motor (200 VAC)			AC servo motor (200 VAC)				
Encoder*9		Motor type T6, T7: Absolute 22-bit encoder (Resolution: 4194304 p/rev) (For LECSB-T□, LECSS-T□) Motor type T6, T7: Absolute 18-bit encoder (Resolution: 262144 p/rev) (For LECSC-T□)										
Power [W]*7		Max. power 445			Max. power 724			Max. power 724				
Type*8		Non-magnetizing lock										
Holding force [N]		131	255	485	157	308	588	197	385	736		
Power [W] at 20°C		6.3			7.9			7.9				
Rated voltage [V]		24 VDC ⁰ / _{-10%}										

*1 This is the max. value of the horizontal work load. An external guide is necessary to support the load (Friction coefficient of guide: 0.1 or less). The actual work load changes according to the condition of the external guide. Confirm the load using the actual device.
 *2 The force setting range (set values for the driver) for the force control with the torque control mode. Set it while referencing the "Force Conversion Graph (Guide)" on page 46. The driver applicable to the pushing operation is "LECSB-T", and "LECSS-T".
 The LECSB2-T is only applicable when the control method is positioning. The point table is used to set the pushing operation settings. To set the pushing operation settings, an additional dedicated file (pushing operation extension file) must be downloaded separately to be used with the setup software (MR Configurator2™: LEC-MRC2□). Please download this dedicated file from the SMC website: <https://www.smcworld.com>
 When selecting the LECSS2-T, combine it with upper level equipment (such as the Simple Motion module manufactured by Mitsubishi Electric Corporation) which has a pushing operation function.
 ** For customer-provided PLC and motion controller setting and usage instructions, confirm with the retailer or manufacturer.

*3 The allowable speed changes according to the stroke.
 *4 The allowable collision speed for collision with the workpiece with the torque control mode
 *5 A reference value for correcting errors in reciprocal operation
 *6 Impact resistance: No malfunction occurred when the actuator was tested with a drop tester in both an axial direction and a perpendicular direction to the lead screw. (The test was performed with the actuator in the initial state.)
 Vibration resistance: No malfunction occurred in a test ranging between 45 to 2000 Hz. The test was performed in both an axial direction and a perpendicular direction to the lead screw. (The test was performed with the actuator in the initial state.)
 *7 Indicates the max. power during operation (including the driver) When selecting the power supply capacity, refer to the power supply capacity in the operation manual of each driver.
 *8 Only when motor option "With lock" is selected
 *9 The resolution will change depending on the driver type.

Weight

Product Weight

Series		LEY25T6 (Motor mounting position: Parallel)									LEY32T7 (Motor mounting position: Parallel)										
Stroke [mm]		30	50	100	150	200	250	300	350	400	30	50	100	150	200	250	300	350	400	450	500
Motor type	Absolute encoder	1.4	1.5	1.6	1.9	2.0	2.2	2.4	2.6	2.7	2.3	2.4	2.7	3.2	3.5	3.8	4.1	4.3	4.6	4.9	5.2

Series		LEY25DT6 (Motor mounting position: In-line)									LEY32DT7 (Motor mounting position: In-line)										
Stroke [mm]		30	50	100	150	200	250	300	350	400	30	50	100	150	200	250	300	350	400	450	500
Motor type	Absolute encoder	1.4	1.5	1.6	1.9	2.1	2.2	2.4	2.6	2.8	2.4	2.5	2.8	3.2	3.5	3.8	4.1	4.4	4.6	4.9	5.2

Additional Weight

Size		25	32
Lock	Absolute encoder [T6/T7]	0.3	0.4
	Male thread	0.03	0.03
Rod end male thread	Nut	0.02	0.02
		0.08	0.14
Foot bracket (2 sets including mounting bolt)		0.08	0.14
Rod flange (including mounting bolt)		0.17	0.20
Head flange (including mounting bolt)			
Double clevis (including pin, retaining ring, and mounting bolt)		0.16	0.22

Model Selection

Step Motor (Servo/24 VDC)/Servo Motor (24 VDC)
LEY
LEYG

AC Servo Motor
LEY
LEYG

Environment
LEY-X7
LEY-X5
25A-LEY

Step Motor (Servo/24 VDC)/Servo Motor (24 VDC)
JXC51/61
LECA6
LEC-G
LECP1
LECPA

AC Servo Motor
LECS□
LECY□

Specific Product Precautions

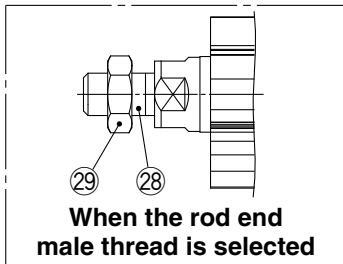
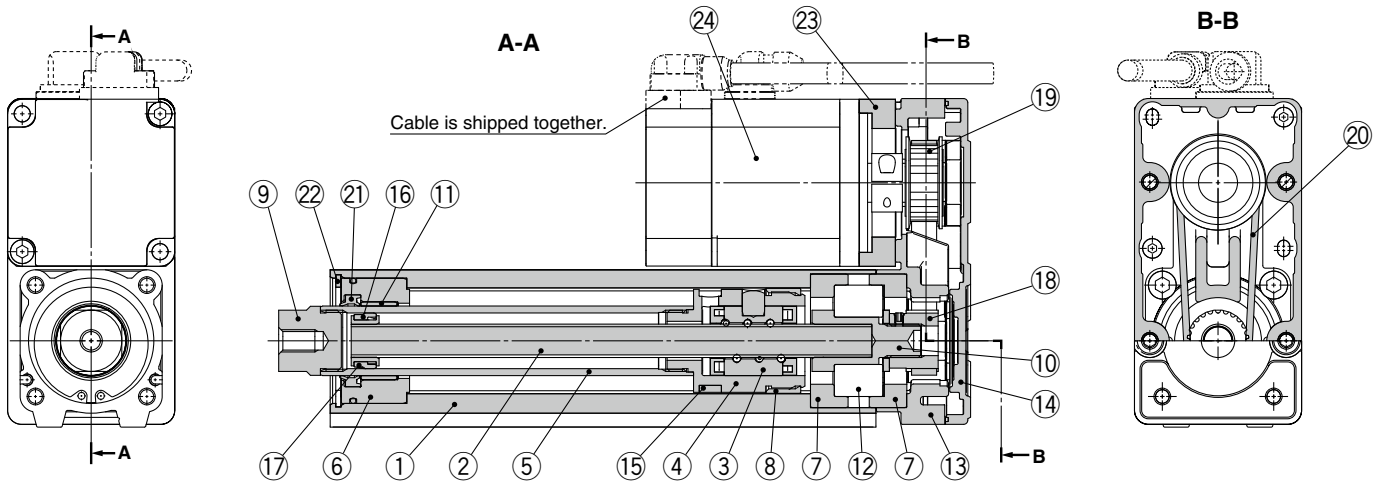
LEY Series

AC Servo Motor

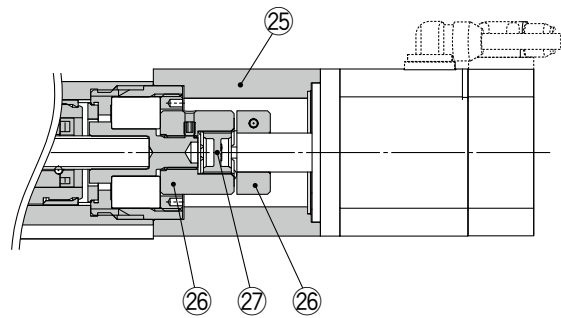
Size 25, 32

Construction

Top side parallel motor type: LEY²⁵/₃₂



In-line motor type: LEY²⁵/₃₂D



Component Parts

No.	Description	Material	Note
1	Body	Aluminum alloy	Anodized
2	Ball screw shaft	Alloy steel	
3	Ball screw nut	Synthetic resin/Alloy steel	
4	Piston	Aluminum alloy	
5	Piston rod	Stainless steel	Hard chrome plating
6	Rod cover	Aluminum alloy	
7	Bearing holder	Aluminum alloy	
8	Rotation stopper	Synthetic resin	
9	Socket	Free cutting carbon steel	Nickel plating
10	Connected shaft	Free cutting carbon steel	Nickel plating
11	Bushing	Bearing alloy	
12	Bearing	—	
13	Return box	Aluminum die-cast	Coating
14	Return plate	Aluminum die-cast	Coating
15	Magnet	—	
16	Wear ring holder	Stainless steel	Stroke 101 mm or more
17	Wear ring	Synthetic resin	Stroke 101 mm or more
18	Screw shaft pulley	Aluminum alloy	
19	Motor pulley	Aluminum alloy	
20	Belt	—	
21	Seal	NBR	
22	Retaining ring	Steel for spring	

No.	Description	Material	Note
23	Motor adapter	Aluminum alloy	Coating
24	Motor	—	
25	Motor block	Aluminum alloy	Coating
26	Hub	Aluminum alloy	
27	Spider	Urethane	
28	Socket (Male thread)	Free cutting carbon steel	Nickel plating
29	Nut	Alloy steel	Zinc chromating

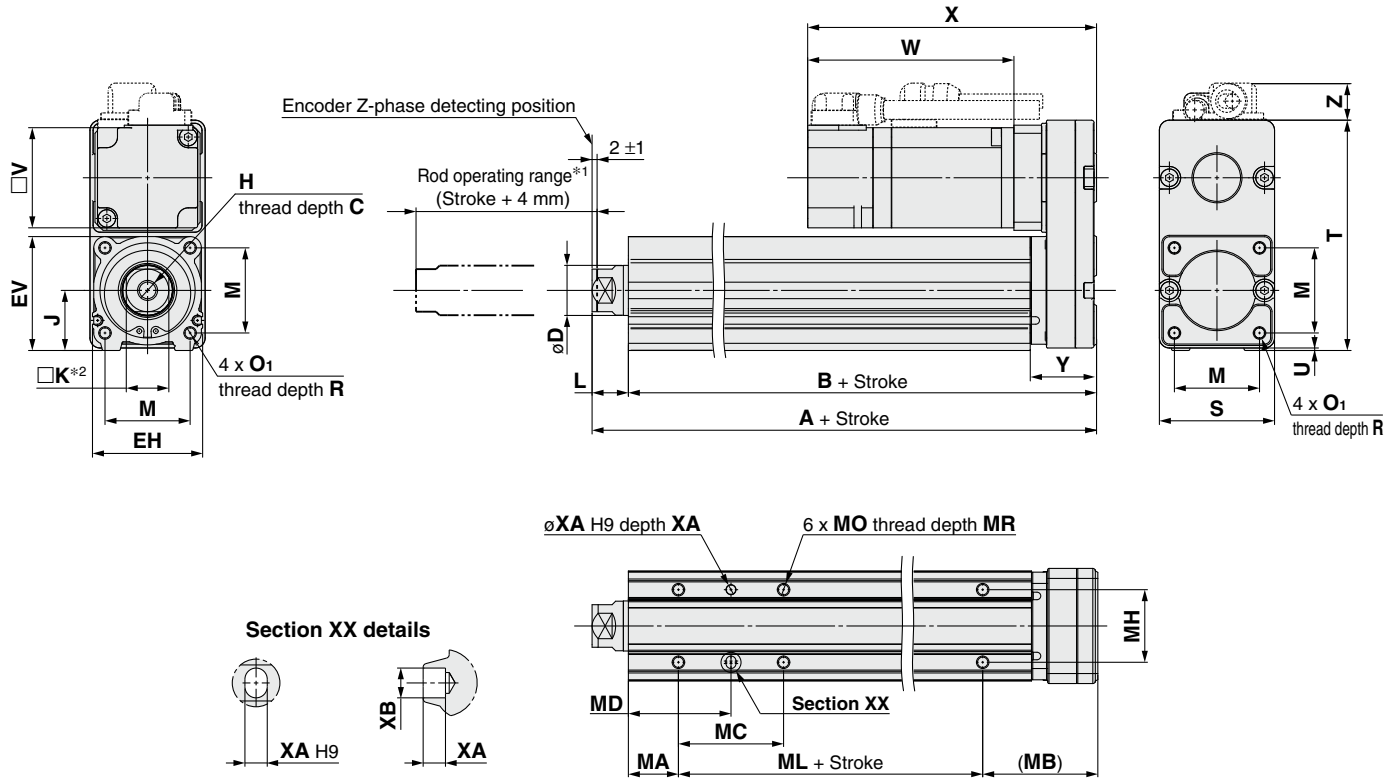
Replacement Parts (Top/Right/Left side parallel only)/Belt

No.	Size	Order no.
20	25	LE-D-2-2
	32	LE-D-2-4

Replacement Parts/Grease Pack

Applied portion	Order no.
Piston rod	GR-S-010 (10 g) GR-S-020 (20 g)

Dimensions: Top/Right/Left Side Parallel Motor



*1 This is the range within which the rod can move. Make sure that workpieces mounted on the rod do not interfere with other workpieces or the facilities around the rod.
*2 The direction of rod end width across flats (□K) differs depending on the products.

Size	Stroke range [mm]	A	B	C	D	EH	EV	H	J	K	L	M	O ₁	R	S	T	U	Y	V
25	15 to 100	130.5	116	13	20	44	45.5	M8 x 1.25	24	17	14.5	34	M5 x 0.8	8	46	92	1	26.5	40
	105 to 400	155.5	141																
32	20 to 100	148.5	130	13	25	51	56.5	M8 x 1.25	31	22	18.5	40	M6 x 1.0	10	60	118	1	34	60
	105 to 500	178.5	160																

Size	Stroke range [mm]	Incremental encoder [S2/S3]						Absolute encoder [S6/S7]						Absolute encoder [T6/T7]					
		Without lock			With lock			Without lock			With lock			Without lock			With lock		
		W	X	Z	W	X	Z	W	X	Z	W	X	Z	W	X	Z	W	X	Z
25	15 to 100	87	120	14.1	123.9	156.9	15.8	82.4	115.4	14.1	123.5	156.5	15.8	82.4	115.4	14.1	123	156	15.8
	105 to 400																		
32	20 to 100	88.2	128.2	17.1	116.8	156.8	17.1	76.6	116.6	17.1	116.1	156.1	17.1	76.6	116.6	17.1	113.4	153.4	17.1
	105 to 500																		

Body Bottom Tapped

Size	Stroke range [mm]	MA	MB	MC	MD	MH	ML	MO	MR	XA	XB
25	15 to 39	20	46	24	32	29	50	M5 x 0.8	6.5	4	5
	40 to 100			42	41						
	101 to 124			59	49.5						
	125 to 200			76	58						
	201 to 400			76	58						
32	20 to 39	25	55	22	36	30	50	M6 x 1	8.5	5	6
	40 to 100			36	43						
	101 to 124			53	51.5						
	125 to 200			53	51.5						
	201 to 500			70	60						

LEY Series

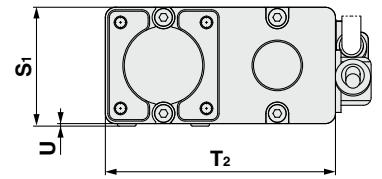
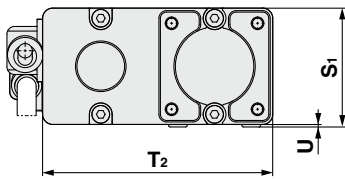
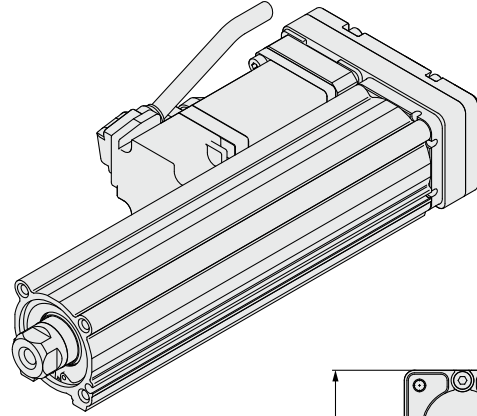
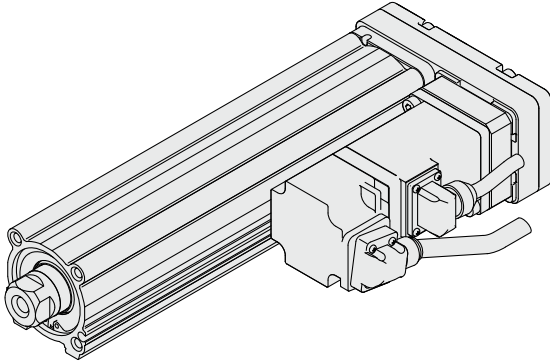
AC Servo Motor

Size 25, 32

Dimensions: Top/Right/Left Side Parallel Motor

Left side parallel motor type: LEY₃₂²⁵L

Right side parallel motor type: LEY₃₂²⁵R

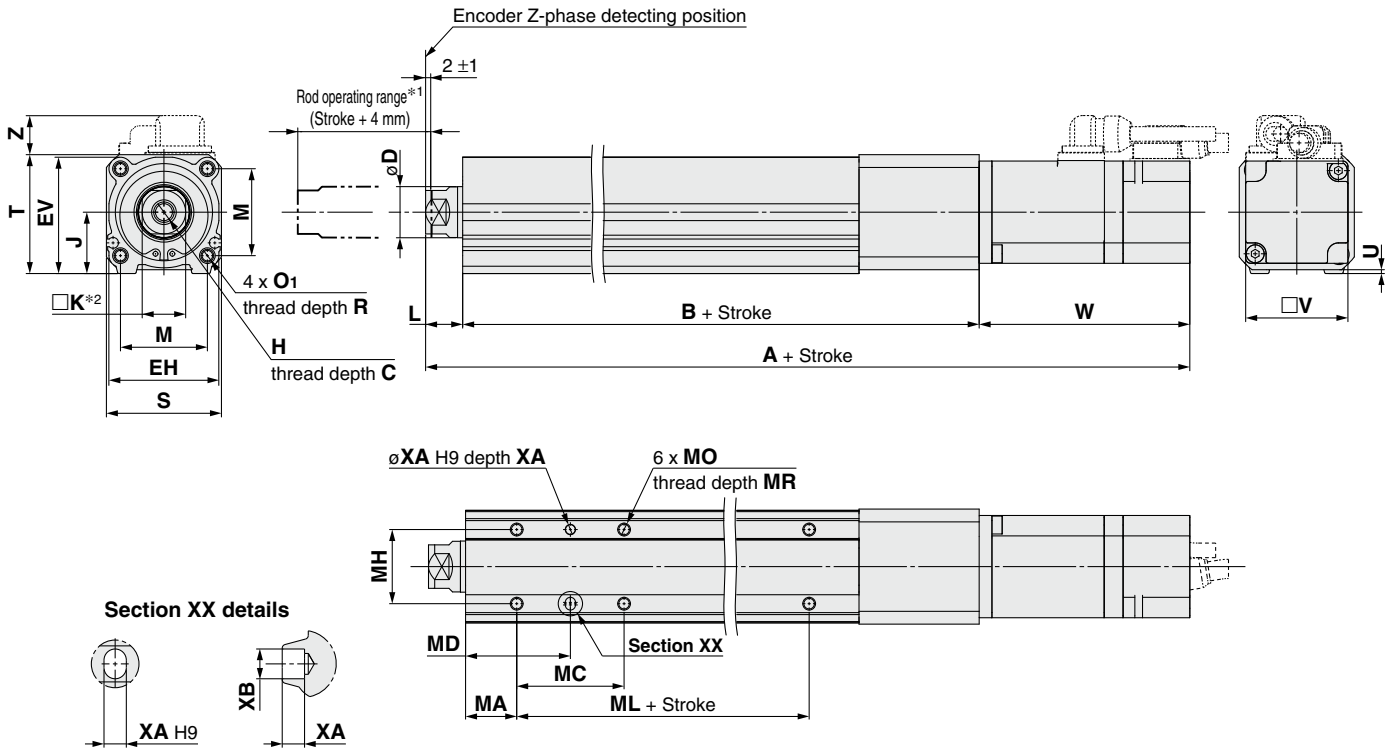


[mm]

Size	S ₁	T ₂	U
25	47	91	1
32	61	117	1

* When the motor is mounted on the left or right side in parallel, the groove for auto switch on the side to which the motor is mounted is hidden.

Dimensions: In-line Motor



- *1 This is the range within which the rod can move. Make sure that workpieces mounted on the rod do not interfere with other workpieces or the facilities around the rod.
- *2 The direction of rod end width across flats (□K) differs depending on the products.

Size	Stroke range [mm]	C	D	EH	EV	H	J	K	L	M	O1	R	S	T	U	B	V
25	15 to 100	13	20	44	45.5	M8 x 1.25	24	17	14.5	34	M5 x 0.8	8	45	46.5	1.5	136.5	40
	105 to 400															161.5	
32	20 to 100	13	25	51	56.5	M8 x 1.25	31	22	18.5	40	M6 x 1.0	10	60	61	1	156	60
	105 to 500															186	

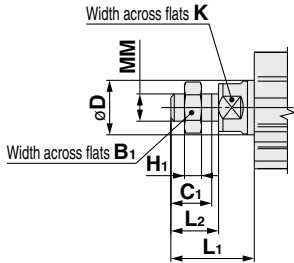
Size	Stroke range [mm]	Incremental encoder [S2/S3]						Absolute encoder [S6/S7]						Absolute encoder [T6/T7]					
		Without lock			With lock			Without lock			With lock			Without lock			With lock		
		A	W	Z	A	W	Z	A	W	Z	A	W	Z	A	VB	VC	A	VB	VC
25	15 to 100	238	87	14.6	274.9	123.9	16.3	233.4	82.4	14.6	274.5	123.5	16.3	233.4	82.4	14.6	274	123	16.3
	105 to 400	263			299.9			258.4			299.5			258.4			299		
32	20 to 100	262.7	88.2	17.1	291.3	116.8	17.1	251.1	76.6	17.1	290.6	116.1	17.1	251.1	76.6	17.1	287.9	113.4	17.1
	105 to 500	292.7			321.3			281.1			320.6			281.1			317.9		

Body Bottom Tapped

Size	Stroke range [mm]	MA	MC	MD	MH	ML	MO	MR	XA	XB
25	15 to 39	20	24	32	29	50	M5 x 0.8	6.5	4	5
	40 to 100		42	41		75				
	101 to 124		59	49.5						
	125 to 200		76	58						
	201 to 400		76	58						
32	20 to 39	25	22	36	30	50	M6 x 1	8.5	5	6
	40 to 100		36	43		80				
	101 to 124		53	51.5						
	125 to 200		53	51.5						
	201 to 500		70	60						

Dimensions

End male thread: LEY²⁵₃₂□□^A□□^B-□□^CM

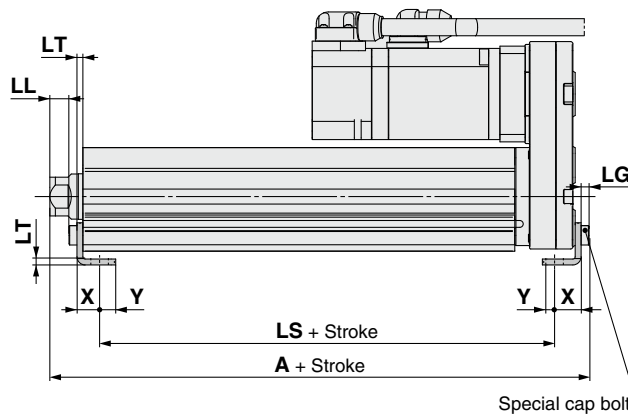
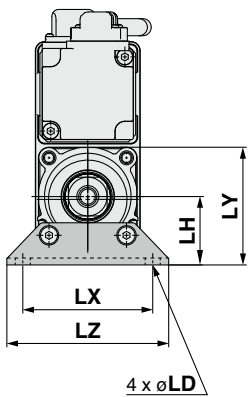


- * Refer to pages 101 and 102 for details on the rod end nut and mounting bracket.
- * Refer to the "Handling" precautions on pages 204 to 207 when mounting end brackets such as knuckle joint or workpieces.

Size	B ₁	C ₁	D	H ₁	K	L ₁	L ₂	MM
25	22	20.5	20	8	17	38	23.5	M14 x 1.5
32	22	20.5	25	8	22	42	23.5	M14 x 1.5

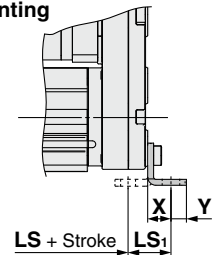
* The L₁ measurement is when the unit is in the original position. At this position, 2 mm at the end.

Foot bracket: LEY²⁵₃₂□□^A□□□□^B□□□□^CL



Included parts
 • Foot bracket
 • Body mounting bolt

Outward mounting



Foot Bracket

Size	Stroke range [mm]	A	LS	LS ₁	LL	LD	LG	LH	LT	LX	LY	LZ	X	Y
25	15 to 100	136.6	98.8	19.8	8.4	6.6	3.5	30	2.6	57	51.5	71	11.2	5.8
	101 to 400	161.6	123.8											
32	20 to 100	155.7	114	19.2	11.3	6.6	4	36	3.2	76	61.5	90	11.2	7
	101 to 500	185.7	144											

Material: Carbon steel (Chromating)

- * The A measurement is when the unit is in the Z-phase first detecting position. At this position, 2 mm at the end.
- * When the motor mounting is the right or left side parallel type, the head side foot bracket should be mounted outward.

Electric Actuator Rod Type

Dust-tight/Water-jet-proof (IP65 Equivalent)

* Option

LEY Series LEY63 Size **63**

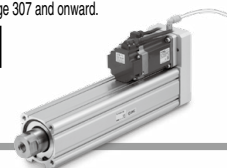
The LECSB-S, LECS-C, and LECS-S electric actuator drivers are to be discontinued. The LECSB-T, LECS-C-T, and LECS-T drivers are available as substitutes. In the product number, select T8 instead of S8 for the **4 Motor type**.



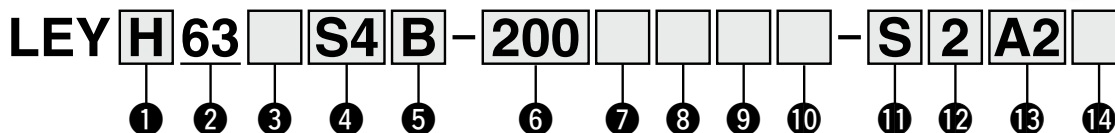
* For details, refer to page 307 and onward.

LEY □ Series ▶ p. 91

Refer to pages 41 to 48 for model selection.



How to Order



① Accuracy

Nil	Basic type
H	High-precision type

② Size

63

③ Motor mounting position

Nil	Top side parallel
R	Right side parallel
L	Left side parallel
D	In-line

④ Motor type

Symbol	Type	Output [W]	Actuator size	Compatible drivers
S4	AC servo motor (Incremental encoder)	400	63	LECSA2-S4
S8	AC servo motor (Absolute encoder)	400	63	LECSB2-S8 LECS-C2-S8 LECSS2-S8
T8	AC servo motor (Absolute encoder)	400	63	LECSB2-T8 LECS-C2-T8 LECSN2-T8-□ LECSS2-T8

⑤ Lead [mm]

Symbol	LEY63
A	20
B	10
C	5
L	2.86*1 *2

*1 Screw lead 5 mm, Pulley ratio [4:7] equivalent lead
*2 Only available for top/right/left side parallel motor types

⑥ Stroke [mm]

50	50
to	to
800	800

* For details, refer to the applicable stroke table below.

⑦ Dust-tight/Water-jet-proof

Nil	IP5x equivalent (Dust-protected)
P	IP65 equivalent (Dust-tight/Water-jet-proof)/With vent hole tap

* When using the dust-tight/water-jet-proof (IP65 equivalent), correctly mount the fitting and tubing to the vent hole tap, and then place the end of the tubing in an area not exposed to dust or water.

* The fitting and tubing should be provided separately by the customer. Select [Applicable tubing O.D.: ø4 or more, Connection thread: Rc1/8].

* Cannot be used in an environment where oil such as cutting oil splashes or it is constantly exposed to water. Take appropriate protective measures. For details on enclosure, refer to the "Enclosure" on page 207.

⑧ Motor option

Nil	Without option
B	With lock

⑨ Rod end thread

Nil	Rod end female thread
M	Rod end male thread (1 rod end nut is included.)

⑩ Mounting*1

Symbol	Type	Motor mounting position	
		Parallel	In-line
Nil	Ends tapped/Body bottom tapped *2	●	●
L	Foot bracket	●	—
F	Rod flange*2	●	●
D	Double clevis*3	●	—

*1 The mounting bracket is shipped together with the product but does not come assembled.

*2 For the horizontal cantilever mounting of the rod flange or ends tapped types, use the actuator within the following stroke range.

• LEY63: 400 mm or less

*3 For the mounting of the double clevis type, use the actuator within the following stroke range.

• LEY63: 300 mm or less

⑪ Cable type*1

Nil	Without cable
S	Standard cable
R	Robotic cable (Flexible cable)

*1 A motor cable and encoder cable are included with the product. (A lock cable is also included if motor option "B: With lock" is selected.)

* Standard cable entry direction is

- Parallel: (A) Axis side
 - In-line: (B) Counter axis side
- (Refer to page 290 for details.)

⑭ I/O cable length [m]*1

Nil	Without cable
H	Without cable (Connector only)
1	1.5

*1 When "Nil: Without driver" is selected for the driver type, only "Nil: Without cable" can be selected.

Refer to page 291 if an I/O cable is required. (Options are shown on page 291.)

⑫ Cable length*2 [m]

Nil	Without cable
2	2
5	5
A	10

*2 The length of the encoder, motor, and lock cables are the same.

⑬ Driver type*

	Compatible drivers	Power supply voltage [V]
Nil	Without driver	—
A2	LECSA2-S4	200 to 230
B2	LECSB2-S8	200 to 230
	LECSB2-T8	200 to 240
C2	LECS-C2-S8	200 to 230
	LECS-C2-T8	
S2	LECSS2-S8	200 to 230
	LECSS2-T8	200 to 240
N2	LECSN2-T8	200 to 240
E2	LECSN2-T8-E	200 to 240
92	LECSN2-T8-9	200 to 240
P2	LECSN2-T8-P	200 to 240

* When a driver type is selected, a cable is included. Select the cable type and cable length.

Example) S2S2: Standard cable (2 m) + Driver (LECSS2) S2: Standard cable (2 m) Nil: Without cable and driver

Applicable Stroke Table

Model	Stroke [mm]	50	100	150	200	250	300	350	400	450	500	600	700	800	Manufacturable stroke range
		LEY63	●	●	●	●	●	●	●	●	●	●	●	●	

* Please contact SMC for non-standard strokes as they are produced as special orders.

Specifications

Model		LEY63S ₈ ⁴ /T8 (Parallel)					LEY63DS ₈ ⁴ /T8 (In-line)		
Work load [kg]	Horizontal ^{*1}	40	70	80	200	40	70	80	
	Vertical ^{*11}	19	38	72	115	19	38	72	
Force [N]/Set value ^{*2} ; 15 to 50% ^{*3, 4}		156 to 521	304 to 1012	573 to 1910	1003 to 3343	156 to 521	304 to 1012	573 to 1910	
Max. speed [mm/s]	Stroke range	Up to 500	1000	500	250	70	1000	500	250
		505 to 600	800	400	200		800	400	200
		605 to 700	600	300	150		600	300	150
		705 to 800	500	250	125		500	250	125
Pushing speed [mm/s] ^{*6}		30 or less			5000				
Max. acceleration/deceleration [mm/s ²]		5000			3000				
Positioning repeatability [mm]	Basic type	±0.02			±0.02				
	High-precision type	±0.01			±0.01				
Lost motion [mm] ^{*7}	Basic type	0.1 or less			0.1 or less				
	High-precision type	0.05 or less			0.05 or less				
Screw lead [mm] (including pulley ratio)		20	10	5	5 (2.86)	20	10	5	
Impact/Vibration resistance [m/s ²] ^{*8}		50/20			50/20				
Actuation type		Ball screw + Belt			Ball screw + Belt (Pulley ratio 4:7)	Ball screw			
Guide type		Sliding bushing (Piston rod)			Sliding bushing (Piston rod)				
Operating temperature range [°C]		5 to 40			5 to 40				
Operating humidity range [%RH]		90 or less (No condensation)			90 or less (No condensation)				
Regeneration option		May be required depending on speed and work load (Refer to pages 43 and 44.)			May be required depending on speed and work load (Refer to pages 43 and 44.)				
Motor output/Size		400 W/□60			400 W/□60				
Motor type		AC servo motor (200 VAC)			AC servo motor (200 VAC)				
Encoder ^{*12}		Motor type S4: Incremental 17-bit encoder (Resolution: 131072 p/rev) Motor type S8: Absolute 18-bit encoder (Resolution: 262144 p/rev) Motor type T8: Absolute 22-bit encoder (Resolution: 4194304 p/rev) (For LECSB2-T8, LECSS2-T8) Motor type T8: Absolute 18-bit encoder (Resolution: 262144 p/rev) (For LECSC2-T8)			Motor type S4: Incremental 17-bit encoder (Resolution: 131072 p/rev) Motor type S8: Absolute 18-bit encoder (Resolution: 262144 p/rev) Motor type T8: Absolute 22-bit encoder (Resolution: 4194304 p/rev) (For LECSB2-T8, LECSS2-T8) Motor type T8: Absolute 18-bit encoder (Resolution: 262144 p/rev) (For LECSC2-T8)				
Power [W] ^{*9}		Max. power 1275			Max. power 1275				
Type ^{*10}		Non-magnetizing lock			Non-magnetizing lock				
Holding force [N]		313	607	1146	2006	313	607	1146	
Power [W] at 20°C		7.9			7.9				
Rated voltage [V]		24 VDC ⁰ _{-10%}			24 VDC ⁰ _{-10%}				

- *1 This is the max. value of the horizontal work load. An external guide is necessary to support the load (Friction coefficient of guide: 0.1 or less). The actual work load changes according to the condition of the external guide. Confirm the load using the actual device.
- *2 Set values for the driver
- *3 The force setting range (set values for the driver) for the force control with the torque control mode. The force and duty ratio change according to the set value. Set it while referencing the "Force Conversion Graph" on pages 45 and 46.
The driver applicable to the pushing operation is "LECSS", "LECSB-T", and "LECSS-T".
The LECSB2-T is only applicable when the control method is positioning. The point table is used to set the pushing operation settings.
To set the pushing operation settings, an additional dedicated file (pushing operation extension file) must be downloaded separately to be used with the setup software (MR Configurator2™: LEC-MRC2□). Please download this dedicated file from the SMC website: <https://www.smcworld.com>
When selecting the LECS or LECSS2-T, combine it with upper level equipment (such as the Simple Motion module manufactured by Mitsubishi Electric Corporation) which has a pushing operation function.
** For customer-provided PLC and motion controller setting and usage instructions, confirm with the retailer or manufacturer.
- *4 For the motor type T8, the set value is from 12 to 40%.
- *5 The allowable speed changes according to the stroke. Set the number

- of rotations according to speed.
- *6 The allowable collision speed for collision with the workpiece with the torque control mode
- *7 A reference value for correcting errors in reciprocal operation
- *8 Impact resistance: No malfunction occurred when the actuator was tested with a drop tester in both an axial direction and a perpendicular direction to the lead screw. (The test was performed with the actuator in the initial state.)
Vibration resistance: No malfunction occurred in a test ranging between 45 to 2000 Hz. The test was performed in both an axial direction and a perpendicular direction to the lead screw. (The test was performed with the actuator in the initial state.)
- *9 Indicates the max. power during operation (including the driver)
When selecting the power supply capacity, refer to the power supply capacity in the operation manual of each driver.
- *10 Only when motor option "With lock" is selected
- *11 When mounting vertically and using the product facing upwards in an environment where water is present, take necessary measures to prevent water from splashing on the rod cover, because water will accumulate on the rod seal due to the structure of the product.
- *12 For motor type T8, the resolution will change depending on the driver type.

Weight

Product Weight [kg]

Series		LEY63S ₈ ⁴ (Motor mounting position: Parallel)												
Stroke [mm]		50	100	150	200	250	300	350	400	450	500	600	700	800
Motor type	Incremental encoder	4.9	5.4	6.0	6.6	7.8	8.3	8.9	9.4	10.0	10.5	12.2	13.4	14.5
	Absolute encoder (Motor type S8)	5.0	5.5	6.1	6.7	7.9	8.4	9.0	9.5	10.1	10.6	12.3	13.5	14.6
	Absolute encoder (Motor type T8)	4.9	5.4	6.0	6.6	7.8	8.3	8.9	9.4	10.0	10.5	12.2	13.4	14.5

Series		LEY63DS ₈ ⁴ (Motor mounting position: In-line)												
Stroke [mm]		50	100	150	200	250	300	350	400	450	500	600	700	800
Motor type	Incremental encoder	5.1	5.6	6.2	6.7	7.9	8.4	9.0	9.6	10.2	10.7	12.4	13.5	14.7
	Absolute encoder (Motor type S8)	5.2	5.7	6.3	6.8	8.0	8.5	9.1	9.7	10.3	10.8	12.5	13.6	14.8
	Absolute encoder (Motor type T8)	5.1	5.6	6.2	6.7	7.9	8.4	9.0	9.6	10.2	10.7	12.4	13.5	14.7

Additional Weight [kg]

Size		63
Lock	Incremental encoder	0.4
	Absolute encoder (Motor type S8)	0.6
	Absolute encoder (Motor type T8)	0.4
Rod end male thread	Male thread	0.12
	Nut	0.04
Foot bracket (2 sets including mounting bolt)		0.26
Rod flange (including mounting bolt)		0.51
Double clevis (including pin, retaining ring, and mounting bolt)		0.58

Model Selection
 Step Motor (Servo/24 VDC)/Servo Motor (24 VDC)
 LEY
 LEYG
 LEY
 LEYG
 Environment
 LEY-X7
 LEY-X5
 25A-LEY
 JXC51/61
 LECA6
 LEC-G
 LEC1
 LEC2
 LEC3
 LEC4
 LEC5
 LEC6
 LEC7
 LEC8
 LEC9
 LEC10
 LEC11
 LEC12
 LEC13
 LEC14
 LEC15
 LEC16
 LEC17
 LEC18
 LEC19
 LEC20
 LEC21
 LEC22
 LEC23
 LEC24
 LEC25
 LEC26
 LEC27
 LEC28
 LEC29
 LEC30
 LEC31
 LEC32
 LEC33
 LEC34
 LEC35
 LEC36
 LEC37
 LEC38
 LEC39
 LEC40
 LEC41
 LEC42
 LEC43
 LEC44
 LEC45
 LEC46
 LEC47
 LEC48
 LEC49
 LEC50
 LEC51
 LEC52
 LEC53
 LEC54
 LEC55
 LEC56
 LEC57
 LEC58
 LEC59
 LEC60
 LEC61
 LEC62
 LEC63
 LEC64
 LEC65
 LEC66
 LEC67
 LEC68
 LEC69
 LEC70
 LEC71
 LEC72
 LEC73
 LEC74
 LEC75
 LEC76
 LEC77
 LEC78
 LEC79
 LEC80
 LEC81
 LEC82
 LEC83
 LEC84
 LEC85
 LEC86
 LEC87
 LEC88
 LEC89
 LEC90
 LEC91
 LEC92
 LEC93
 LEC94
 LEC95
 LEC96
 LEC97
 LEC98
 LEC99
 LEC100
 LEC101
 LEC102
 LEC103
 LEC104
 LEC105
 LEC106
 LEC107
 LEC108
 LEC109
 LEC110
 LEC111
 LEC112
 LEC113
 LEC114
 LEC115
 LEC116
 LEC117
 LEC118
 LEC119
 LEC120
 LEC121
 LEC122
 LEC123
 LEC124
 LEC125
 LEC126
 LEC127
 LEC128
 LEC129
 LEC130
 LEC131
 LEC132
 LEC133
 LEC134
 LEC135
 LEC136
 LEC137
 LEC138
 LEC139
 LEC140
 LEC141
 LEC142
 LEC143
 LEC144
 LEC145
 LEC146
 LEC147
 LEC148
 LEC149
 LEC150
 LEC151
 LEC152
 LEC153
 LEC154
 LEC155
 LEC156
 LEC157
 LEC158
 LEC159
 LEC160
 LEC161
 LEC162
 LEC163
 LEC164
 LEC165
 LEC166
 LEC167
 LEC168
 LEC169
 LEC170
 LEC171
 LEC172
 LEC173
 LEC174
 LEC175
 LEC176
 LEC177
 LEC178
 LEC179
 LEC180
 LEC181
 LEC182
 LEC183
 LEC184
 LEC185
 LEC186
 LEC187
 LEC188
 LEC189
 LEC190
 LEC191
 LEC192
 LEC193
 LEC194
 LEC195
 LEC196
 LEC197
 LEC198
 LEC199
 LEC200
 LEC201
 LEC202
 LEC203
 LEC204
 LEC205
 LEC206
 LEC207
 LEC208
 LEC209
 LEC210
 LEC211
 LEC212
 LEC213
 LEC214
 LEC215
 LEC216
 LEC217
 LEC218
 LEC219
 LEC220
 LEC221
 LEC222
 LEC223
 LEC224
 LEC225
 LEC226
 LEC227
 LEC228
 LEC229
 LEC230
 LEC231
 LEC232
 LEC233
 LEC234
 LEC235
 LEC236
 LEC237
 LEC238
 LEC239
 LEC240
 LEC241
 LEC242
 LEC243
 LEC244
 LEC245
 LEC246
 LEC247
 LEC248
 LEC249
 LEC250
 LEC251
 LEC252
 LEC253
 LEC254
 LEC255
 LEC256
 LEC257
 LEC258
 LEC259
 LEC260
 LEC261
 LEC262
 LEC263
 LEC264
 LEC265
 LEC266
 LEC267
 LEC268
 LEC269
 LEC270
 LEC271
 LEC272
 LEC273
 LEC274
 LEC275
 LEC276
 LEC277
 LEC278
 LEC279
 LEC280
 LEC281
 LEC282
 LEC283
 LEC284
 LEC285
 LEC286
 LEC287
 LEC288
 LEC289
 LEC290
 LEC291
 LEC292
 LEC293
 LEC294
 LEC295
 LEC296
 LEC297
 LEC298
 LEC299
 LEC300
 LEC301
 LEC302
 LEC303
 LEC304
 LEC305
 LEC306
 LEC307
 LEC308
 LEC309
 LEC310
 LEC311
 LEC312
 LEC313
 LEC314
 LEC315
 LEC316
 LEC317
 LEC318
 LEC319
 LEC320
 LEC321
 LEC322
 LEC323
 LEC324
 LEC325
 LEC326
 LEC327
 LEC328
 LEC329
 LEC330
 LEC331
 LEC332
 LEC333
 LEC334
 LEC335
 LEC336
 LEC337
 LEC338
 LEC339
 LEC340
 LEC341
 LEC342
 LEC343
 LEC344
 LEC345
 LEC346
 LEC347
 LEC348
 LEC349
 LEC350
 LEC351
 LEC352
 LEC353
 LEC354
 LEC355
 LEC356
 LEC357
 LEC358
 LEC359
 LEC360
 LEC361
 LEC362
 LEC363
 LEC364
 LEC365
 LEC366
 LEC367
 LEC368
 LEC369
 LEC370
 LEC371
 LEC372
 LEC373
 LEC374
 LEC375
 LEC376
 LEC377
 LEC378
 LEC379
 LEC380
 LEC381
 LEC382
 LEC383
 LEC384
 LEC385
 LEC386
 LEC387
 LEC388
 LEC389
 LEC390
 LEC391
 LEC392
 LEC393
 LEC394
 LEC395
 LEC396
 LEC397
 LEC398
 LEC399
 LEC400
 LEC401
 LEC402
 LEC403
 LEC404
 LEC405
 LEC406
 LEC407
 LEC408
 LEC409
 LEC410
 LEC411
 LEC412
 LEC413
 LEC414
 LEC415
 LEC416
 LEC417
 LEC418
 LEC419
 LEC420
 LEC421
 LEC422
 LEC423
 LEC424
 LEC425
 LEC426
 LEC427
 LEC428
 LEC429
 LEC430
 LEC431
 LEC432
 LEC433
 LEC434
 LEC435
 LEC436
 LEC437
 LEC438
 LEC439
 LEC440
 LEC441
 LEC442
 LEC443
 LEC444
 LEC445
 LEC446
 LEC447
 LEC448
 LEC449
 LEC450
 LEC451
 LEC452
 LEC453
 LEC454
 LEC455
 LEC456
 LEC457
 LEC458
 LEC459
 LEC460
 LEC461
 LEC462
 LEC463
 LEC464
 LEC465
 LEC466
 LEC467
 LEC468
 LEC469
 LEC470
 LEC471
 LEC472
 LEC473
 LEC474
 LEC475
 LEC476
 LEC477
 LEC478
 LEC479
 LEC480
 LEC481
 LEC482
 LEC483
 LEC484
 LEC485
 LEC486
 LEC487
 LEC488
 LEC489
 LEC490
 LEC491
 LEC492
 LEC493
 LEC494
 LEC495
 LEC496
 LEC497
 LEC498
 LEC499
 LEC500
 LEC501
 LEC502
 LEC503
 LEC504
 LEC505
 LEC506
 LEC507
 LEC508
 LEC509
 LEC510
 LEC511
 LEC512
 LEC513
 LEC514
 LEC515
 LEC516
 LEC517
 LEC518
 LEC519
 LEC520
 LEC521
 LEC522
 LEC523
 LEC524
 LEC525
 LEC526
 LEC527
 LEC528
 LEC529
 LEC530
 LEC531
 LEC532
 LEC533
 LEC534
 LEC535
 LEC536
 LEC537
 LEC538
 LEC539
 LEC540
 LEC541
 LEC542
 LEC543
 LEC544
 LEC545
 LEC546
 LEC547
 LEC548
 LEC549
 LEC550
 LEC551
 LEC552
 LEC553
 LEC554
 LEC555
 LEC556
 LEC557
 LEC558
 LEC559
 LEC560
 LEC561
 LEC562
 LEC563
 LEC564
 LEC565
 LEC566
 LEC567
 LEC568
 LEC569
 LEC570
 LEC571
 LEC572
 LEC573
 LEC574
 LEC575
 LEC576
 LEC577
 LEC578
 LEC579
 LEC580
 LEC581
 LEC582
 LEC583
 LEC584
 LEC585
 LEC586
 LEC587
 LEC588
 LEC589
 LEC590
 LEC591
 LEC592
 LEC593
 LEC594
 LEC595
 LEC596
 LEC597
 LEC598
 LEC599
 LEC600
 LEC601
 LEC602
 LEC603
 LEC604
 LEC605
 LEC606
 LEC607
 LEC608
 LEC609
 LEC610
 LEC611
 LEC612
 LEC613
 LEC614
 LEC615
 LEC616
 LEC617
 LEC618
 LEC619
 LEC620
 LEC621
 LEC622
 LEC623
 LEC624
 LEC625
 LEC626
 LEC627
 LEC628
 LEC629
 LEC630
 LEC631
 LEC632
 LEC633
 LEC634
 LEC635
 LEC636
 LEC637
 LEC638
 LEC639
 LEC640
 LEC641
 LEC642
 LEC643
 LEC644
 LEC645
 LEC646
 LEC647
 LEC648
 LEC649
 LEC650
 LEC651
 LEC652
 LEC653
 LEC654
 LEC655
 LEC656
 LEC657
 LEC658
 LEC659
 LEC660
 LEC661
 LEC662
 LEC663
 LEC664
 LEC665
 LEC666
 LEC667
 LEC668
 LEC669
 LEC670
 LEC671
 LEC672
 LEC673
 LEC674
 LEC675
 LEC676
 LEC677
 LEC678
 LEC679
 LEC680
 LEC681
 LEC682
 LEC683
 LEC684
 LEC685
 LEC686
 LEC687
 LEC688
 LEC689
 LEC690
 LEC691
 LEC692
 LEC693
 LEC694
 LEC695
 LEC696
 LEC697
 LEC698
 LEC699
 LEC700
 LEC701
 LEC702
 LEC703
 LEC704
 LEC705
 LEC706
 LEC707
 LEC708
 LEC709
 LEC710
 LEC711
 LEC712
 LEC713
 LEC714
 LEC715
 LEC716
 LEC717
 LEC718
 LEC719
 LEC720
 LEC721
 LEC722
 LEC723
 LEC724
 LEC725
 LEC726
 LEC727
 LEC728
 LEC729
 LEC730
 LEC731
 LEC732
 LEC733
 LEC734
 LEC735
 LEC736
 LEC737
 LEC738
 LEC739
 LEC740
 LEC741
 LEC742
 LEC743
 LEC744
 LEC745
 LEC746
 LEC747
 LEC748
 LEC749
 LEC750
 LEC751
 LEC752
 LEC753
 LEC754
 LEC755
 LEC756
 LEC757
 LEC758
 LEC759
 LEC760
 LEC761
 LEC762
 LEC763
 LEC764
 LEC765
 LEC766
 LEC767
 LEC768
 LEC769
 LEC770
 LEC771
 LEC772
 LEC773
 LEC774
 LEC775
 LEC776
 LEC777
 LEC778
 LEC779
 LEC780
 LEC781
 LEC782
 LEC783
 LEC784
 LEC785
 LEC786
 LEC787
 LEC788
 LEC789
 LEC790
 LEC791
 LEC792
 LEC793
 LEC794
 LEC795
 LEC796
 LEC797
 LEC798
 LEC799
 LEC800
 LEC801
 LEC802
 LEC803
 LEC804
 LEC805
 LEC806
 LEC807
 LEC808
 LEC809
 LEC810

LEY Series

AC Servo Motor

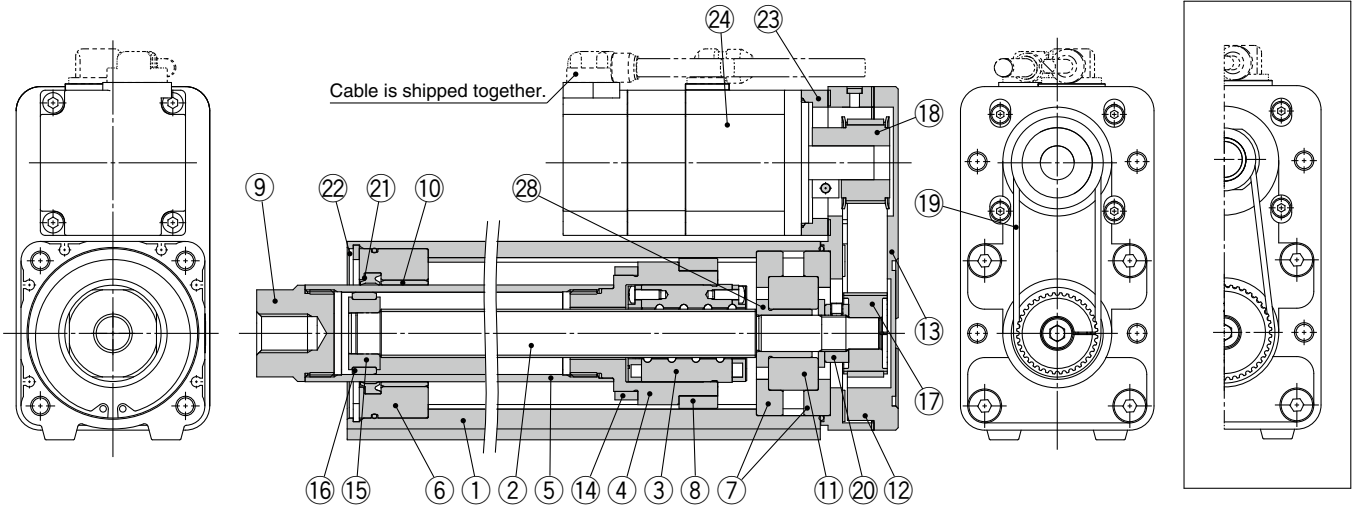
Size **63**

Dust-tight/Water-jet-proof (IP65 Equivalent)

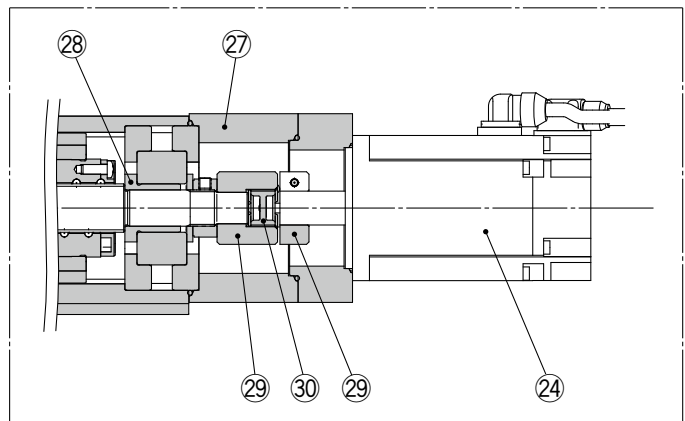
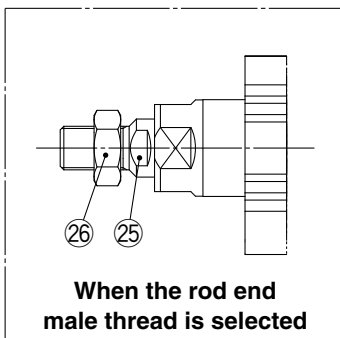
* Option

Construction

Top side parallel motor type: LEY63



In-line motor type: LEY63D



Component Parts

No.	Description	Material	Note
1	Body	Aluminum alloy	Anodized
2	Ball screw shaft	Alloy steel	
3	Ball screw nut	Synthetic resin/Alloy steel	
4	Piston	Aluminum alloy	
5	Piston rod	Stainless steel	Hard chrome plating
6	Rod cover	Aluminum alloy	
7	Bearing holder	Aluminum alloy	
8	Rotation stopper	Synthetic resin	
9	Socket	Free cutting carbon steel	Nickel plating
10	Bushing	Bearing alloy	
11	Bearing	—	
12	Return box	Aluminum alloy	Coating
13	Return plate	Aluminum alloy	Coating
14	Magnet	—	
15	Wear ring holder	Stainless steel	

No.	Description	Material	Note
16	Wear ring	Synthetic resin	
17	Screw shaft pulley	Aluminum alloy	
18	Motor pulley	Aluminum alloy	
19	Belt	—	
20	Lock nut	Alloy steel	Black dyed
21	Seal	NBR	
22	Retaining ring	Steel for spring	
23	Motor adapter	Aluminum alloy	Coating
24	Motor	—	
25	Socket (Male thread)	Free cutting carbon steel	Nickel plating
26	Nut	Alloy steel	Trivalent chromating
27	Motor block	Aluminum alloy	Coating
28	Spacer A	Stainless steel	
29	Hub	Aluminum alloy	
30	Spider	Urethane	

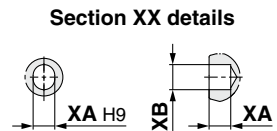
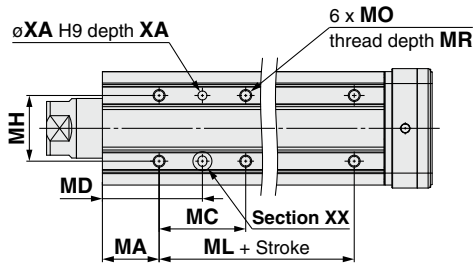
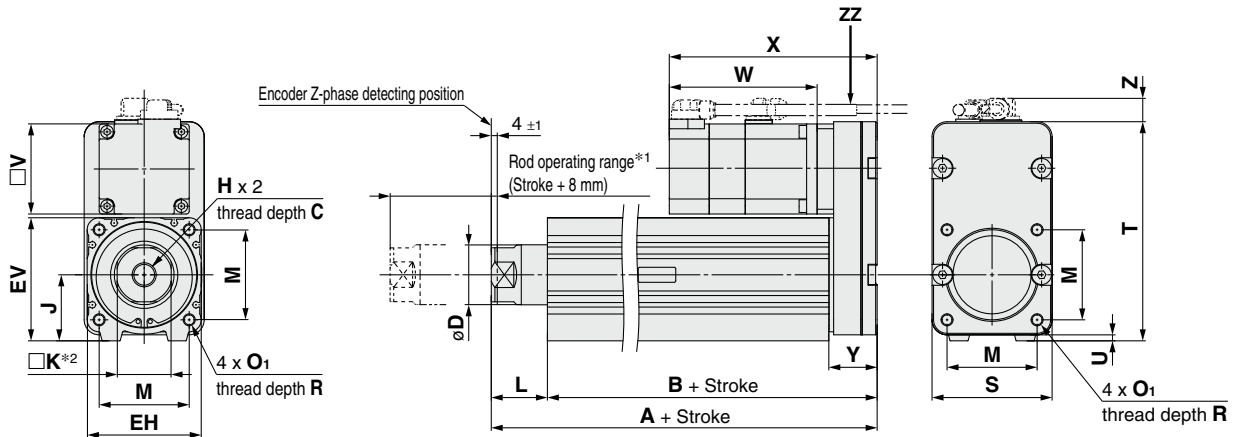
Replacement Parts (Top/Right/Left side parallel only)/Belt

No.	Size	Lead	Order no.
19	63	A/B/C	LE-D-2-5
		L	LE-D-2-6

Replacement Parts/Grease Pack

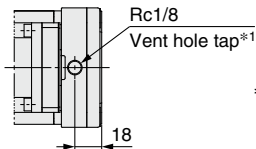
Applied portion	Order no.
Piston rod	GR-S-010 (10 g) GR-S-020 (20 g)

Dimensions: Top/Right/Left Side Parallel Motor



- *1 This is the range within which the rod can move. Make sure that workpieces mounted on the rod do not interfere with other workpieces or the facilities around the rod.
- *2 The direction of rod end width across flats (□K) differs depending on the products.

IP65 equivalent (Dust-tight/Water-jet-proof): LEY63□□□-□P (View ZZ)



- *1 When using the dust-tight/water-jet-proof (IP65 equivalent), correctly mount the fitting and tubing to the vent hole tap, and then place the end of the tubing in an area not exposed to dust or water. The fitting and tubing should be provided separately by the customer. Select [Applicable tubing O.D.: ø4 or more, Connection thread: Rc1/8].

Size	Stroke range [mm]	A	B	C	D	EH	EV	H	J	K	L	M	O ₁	R	S	Y	T	U	V
63	Up to 200	192.6	155.2	21	40	76	82	M16 x 2	44	36	37.4	60	M8 x 1.25	16	80	32.2	146	4	60
	205 to 500	227.6	190.2																
	505 to 800	262.6	225.2																

Size	Stroke range [mm]	Incremental encoder						Absolute encoder [S8]						Absolute encoder [T8]					
		Without lock			With lock			Without lock			With lock			Without lock			With lock		
		W	X	Z	W	X	Z	W	X	Z	W	X	Z	W	X	Z	W	X	Z
63	Up to 200	110.2	150.2	15.6 (16.6)*1	138.8	178.8	15.6 (16.6)*1	98.5	138.5	15.6 (16.6)*1	138	178	15.6 (16.6)*1	98.3	138.3	15.6 (16.6)*1	135.1	175.1	15.6 (16.6)*1
	205 to 500																		
	505 to 800																		

*1 The values in () are the dimensions when L is selected for screw lead.

Body Bottom Tapped

Size	Stroke range [mm]	MA	MC	MD	MH	ML	MO	MR	XA	XB	
63	50 to 74	38	24	50	44	65	M8 x 1.25	10	6	7	
	75 to 124		45	60.5							
	125 to 200		58	67							
	201 to 500		86	81							100
	501 to 800										135

Model Selection

Step Motor (Servo/24 VDC)/Servo Motor (24 VDC)

LEY

LEYG

LEY

LEYG

AC Servo Motor

Environment

25A-LEY

LEY-X5

LEY-X7

Step Motor (Servo/24 VDC)/Servo Motor (24 VDC)

JXC51/61

LECA6

LEC-G

LECP1

LECPA

JXC□

AC Servo Motor

LECS□

LECY□

Specific Product Precautions

LEY Series

AC Servo Motor

Size **63**

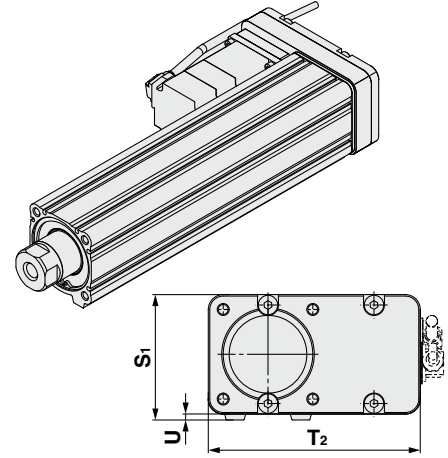
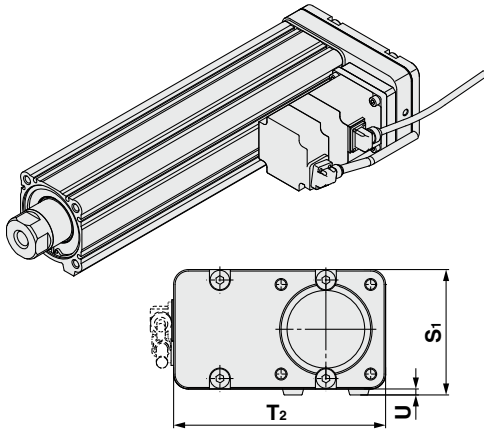
Dust-tight/Water-jet-proof (IP65 Equivalent)

* Option

Dimensions: Top/Right/Left Side Parallel Motor

Left side parallel motor type: **LEY63L**

Right side parallel motor type: **LEY63R**



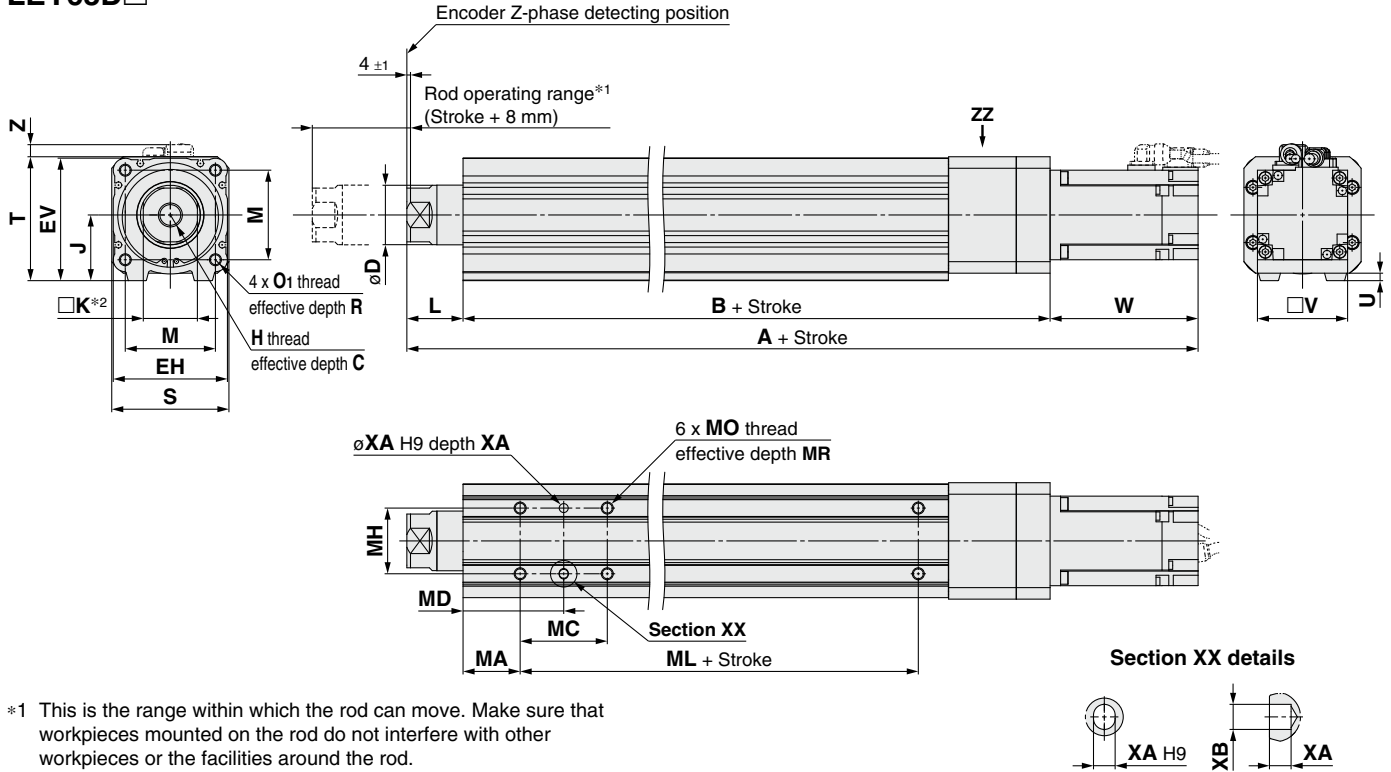
Size	S ₁	T ₂	U
63	84	142	4

[mm]

* When the motor is mounted on the left or right side in parallel, the groove for auto switch on the side to which the motor is mounted is hidden.

Dimensions: In-line Motor

LEY63D□



- *1 This is the range within which the rod can move. Make sure that workpieces mounted on the rod do not interfere with other workpieces or the facilities around the rod.
- *2 The direction of rod end width across flats (□K) differs depending on the products.

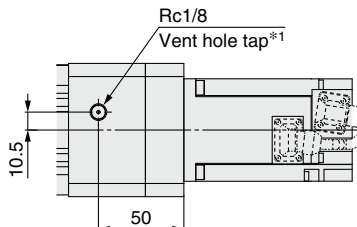
Size	Stroke range [mm]	C	D	EH	EV	H	J	K	L	M	O1	R	S	T	U	B	V
63	Up to 200	21	40	76	82	M16 x 2	44	36	37.4	60	M8 x 1.25	16	78	83	5	190.7	60
	205 to 500															225.7	
	505 to 800															260.7	

Size	Stroke range [mm]	Incremental encoder [S4]						Absolute encoder [S8]						Absolute encoder [T8]					
		Without lock			With lock			Without lock			With lock			Without lock			With lock		
		A	W	Z	A	W	Z	A	W	Z	A	W	Z	A	W	Z	A	W	Z
63	Up to 200	338.3			366.9			326.6			366.1			326.4			363.2		
	205 to 500	373.3	110.2	8.1	401.9	138.8	8.1	361.6	98.5	8.1	401.1	138	8.1	361.4	98.3	8.1	398.2	135.1	8.1
	505 to 800	408.3			436.9			396.6			436.1			396.4			433.2		

Body Bottom Tapped

Size	Stroke range [mm]	MA	MC	MD	MH	ML	MO	MR	XA	XB	
63	50 to 74	38	24	50	44	65	M8 x 1.25	10	6	7	
	75 to 124		45	60.5							
	125 to 200		58	67							
	201 to 500		86	81							100
	501 to 800										135

IP65 equivalent (Dust-tight/Water-jet-proof): LEY63D□□-□P (View ZZ)



- *1 When using the dust-tight/water-jet-proof (IP65 equivalent), correctly mount the fitting and tubing to the vent hole tap, and then place the end of the tubing in an area not exposed to dust or water. The fitting and tubing should be provided separately by the customer. Select [Applicable tubing O.D.: ø4 or more, Connection thread: Rc1/8].

LEY Series

AC Servo Motor

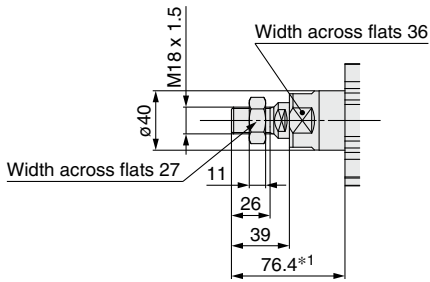
Size **63**

Dust-tight/Water-jet-proof (IP65 Equivalent)

* Option

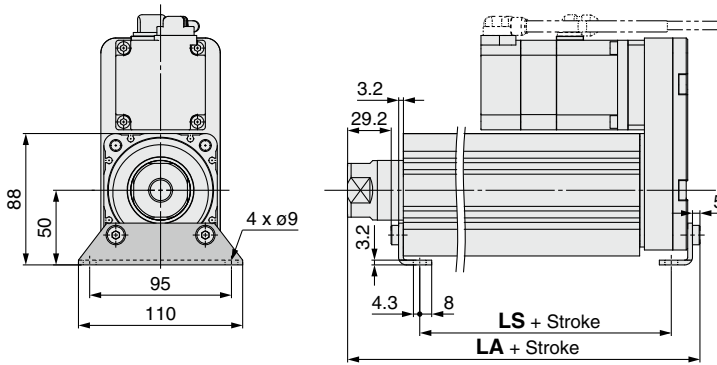
Dimensions

End male thread: LEY63□□□-□□M

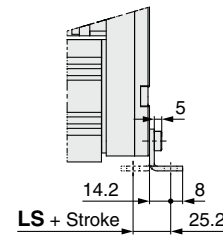


*1 The measurement 76.4 is when the unit is in the Z-phase detecting position. At this position, 4 mm from the end of the operating range.

Foot bracket: LEY63□□□-□□L



Outward mounting

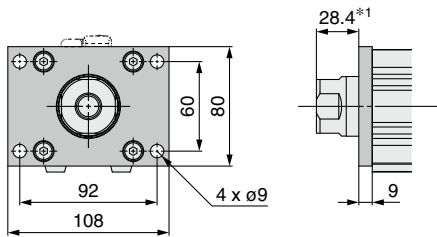


Included parts
• Foot bracket
• Body mounting bolt

Material: Carbon steel (Chromating)
* The overall length is when the unit is in the Z-phase detecting position. At this position, 4 mm from the end of the operating range.
* When the motor mounting is the right or left side parallel type, the head side foot bracket should be mounted outward.

	[mm]	
Stroke range [mm]	LA	LS
50 to 200	200.8	133.2
201 to 500	235.8	168.2
501 to 800	270.8	203.2

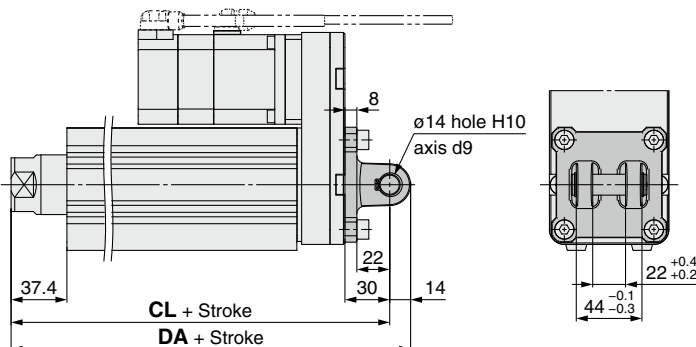
Rod flange: LEY63□□□-□□F



Included parts
• Flange
• Body mounting bolt

Material: Carbon steel (Nickel plating)
*1 When the unit is in the Z-phase detecting position. At this position, 4 mm from the end of the operating range.

Double clevis: LEY63□□□-□□D



Included parts
• Double clevis
• Body mounting bolt
• Clevis pin
• Retaining ring

Material: Cast iron (Coating)
* The overall length is when the unit is in the Z-phase detecting position. At this position, 4 mm from the end of the operating range.

	[mm]	
Stroke range [mm]	DA	CL
50 to 200	236.6	222.6
201 to 500	271.6	257.6
501 to 800	306.6	292.6

Electric Actuator Rod Type

LEY Series LEY100 Size 100



Refer to pages 41 to 48 for model selection.



How to Order

LEY 100 D T9 B - 200 - S 2 B2

1 2 3 4 5 6 7 8 9 10 11 12

1 Size
100

2 Motor mounting position
D In-line

3 Motor type

Symbol	Type	Output [W]	Actuator size	Compatible drivers
T9	AC servo motor (Absolute encoder)	750	100	LECSB2-T9 LECS2-T9 LECSS2-T9 LECSN2-T9(-□)

4 Lead [mm]

Symbol	Lead (Equivalent)	Note
B	10	—
D	3.33*1	With reducer/Reduction ratio [1:3]
L	2*1	With reducer/Reduction ratio [1:5]

5 Stroke [mm]

100	100
to	to
1000	1000

6 Motor option

Nil	Without option
B	With lock

7 Rod end thread

Nil	Rod end female thread
M	Rod end male thread (1 rod end nut is included.)

*1 Screw lead 10 mm, Equivalent lead with reducer

* For details, refer to the applicable stroke table below.

8 Mounting*1 *2

Symbol	Type
Nil	Ends tapped
L	Foot bracket
F	Flange

*1 The mounting bracket is shipped together with the product but does not come assembled.
*2 Do not mount using the "flange" or "ends tapped" options for the horizontal type with one end secured.

9 Cable type*1 *2

Nil	Without cable
S	Standard cable
R	Robotic cable (Flexible)

*1 A motor cable and encoder cable are included with the product. (A lock cable is also included if motor option "B: With lock" is selected.)
*2 Standard cable entry direction is "(B) Counter axis side." (Refer to page 290 for details.)

10 Cable length [m]*1

Symbol	Without cable
Nil	Without cable
2	2
5	5
A	10

*1 The length of the encoder, motor, and lock cables are the same.

11 Driver type*1

Symbol	Compatible drivers	Power supply voltage [V]
Nil	Without driver	
B2	LECSB2-T9/Pulse input (Absolute encoder)	200 to 240
C2	LECS2-T9/CC-Link (Absolute encoder)	200 to 230
S2	LECSS2-T9/SSCNET/H (Absolute encoder)	200 to 240
N2	LECSN2-T9/Without network card (Absolute encoder)	200 to 240
E2	LECSN2-T9-E/EtherCAT® (Absolute encoder)	200 to 240
92	LECSN2-T9-9/EtherNet/IP™ (Absolute encoder)	200 to 240
P2	LECSN2-T9-P/PROFINET (Absolute encoder)	200 to 240

*1 When a driver type is selected, a cable is included. Select the cable type and cable length.
Example)
S2S2: Standard cable (2 m) + Driver (LECSS2)
S2: Standard cable (2 m)
Nil: Without cable and driver

12 I/O cable length [m]*1

Nil	Without cable
H	Without cable (Connector only)
1	1.5

*1 When "Nil: Without driver" is selected for the driver type, only "Nil: Without cable" can be selected. Refer to page 291 if an I/O cable is required.

Applicable Stroke Table

Size	Stroke [mm]										
	100	200	300	400	500	600	700	800	900	1000	Manufacturable stroke range
100	●	●	●	●	●	●	●	●	●	●	100 to 1000

* Please contact SMC for non-standard strokes as they are produced as special orders.

Model Selection

LEY

LEYG

LEY

LEY

LEYG

LEY

LEY-X7

Environment

LEY-X5

25A-LEY

JXC51/61

LECA6

LECG

LECP1

LECPA

JXC□

LECS□

LECY□

Specific Product Precautions

Specifications

Model		LEY100D□L	LEY100D□D	LEY100D□B
Stroke [mm]		100, 200, 300, 400, 500, 600, 700, 800, 900, 1000		
Work load [kg]	Horizontal ^{*1}	1200	1200	240
	Vertical	200	185	80
Rated force [N]/Set value ^{*2} : 25% ^{*3}		5500	3300	1100
Max. force [N]/Set value ^{*2} : 55% ^{*3} *4		12000	7200	2600
Max. speed [mm/s] ^{*5}	Stroke range	Up to 500	100	167
		600	74	123
		700	57	95
		800	45	75
		900	36	60
		1000	30	50
Pushing speed [mm/s] ^{*6}		20 or less		
Max. acceleration/deceleration [mm/s ²] ^{*7}		2000	3000	
Positioning repeatability [mm]		0.02		
Lost motion [mm] ^{*8}		0.10		
Screw lead [mm]		10		
Reduction ratio		1/5	1/3	—
Lead [mm]		2	3.3	10
Impact/Vibration resistance [m/s ²] ^{*9}		50/20		
Actuation type		Ball screw		
Guide type		Sliding bushing (Piston rod)		
Operating temperature range [°C]		5 to 40		
Operating humidity range [%RH]		90 or less (No condensation)		
Motor output [W]/Size [mm]		750/□80		
Motor type		AC servo motor (200 VAC)		
Encoder		Absolute 22-bit encoder (Resolution: 4194304 p/rev) Absolute 18-bit encoder (Resolution: 262144 p/rev) (For LECSS-T□ only)		
Power [W] ^{*10}		Max. power 1100		
Type ^{*11}		Non-magnetizing lock		
Holding force [N]		5700	3400	1200
Power [W] at 20°C		10		
Rated voltage [V]		24 VDC ⁰ / _{-10%}		

*1 This is the max. value of the horizontal work load. An external guide is necessary to support the load (Friction coefficient of guide: 0.1 or less). The actual work load changes according to the condition of the external guide. Confirm the load using the actual device.

*2 Set values for the driver

*3 The force setting range (set values for the driver) for the force control with the torque control mode. The force and duty ratio change according to the set value. Set it while referencing the "Force Conversion Graph" on page 46 and the "Load-Acceleration/Deceleration Graph" on page 47.

The driver applicable to the pushing operation is "LECSB-T", and "LECSS-T."

The LECSSB2-T is only applicable when the control method is positioning. The point table is used to set the pushing operation settings.

To set the pushing operation settings, an additional dedicated file (pushing operation extension file) must be downloaded separately to be used with the setup software (MR Configurator2™: LEC-MRC2□). Please download this dedicated file from the SMC website: <https://www.smcworld.com>

When selecting the LECSS2-T, combine it with upper level equipment (such as the Simple Motion module manufactured by Mitsubishi Electric Corporation) which has a pushing operation function.

** For customer-provided PLC and motion controller setting and usage instructions, confirm with the retailer or manufacturer.

*4 The max. force changes according to the stroke. Check the "Force-Stroke Graph" on page 47.

*5 The allowable speed changes according to the stroke. Set the number of rotations according to speed.

*6 The allowable collision speed for collision with the workpiece with the torque control mode

*7 The max. acceleration/deceleration changes according to the work load. Check the "Load-Acceleration/Deceleration Graph" on page 47.

*8 A reference value for correcting errors in reciprocal operation

*9 Impact resistance: No malfunction occurred when the actuator was tested with a drop tester in both an axial direction and a perpendicular direction to the lead screw. (The test was performed with the actuator in the initial state.)

Vibration resistance: No malfunction occurred in a test ranging between 45 to 2000 Hz. The test was performed in both an axial direction and a perpendicular direction to the lead screw. (The test was performed with the actuator in the initial state.)

*10 Indicates the max. power during operation (including the driver) When selecting the power supply capacity, refer to the power supply capacity in the operation manual of each driver.

*11 Only when motor option "With lock" is selected

Weight

Product Weight

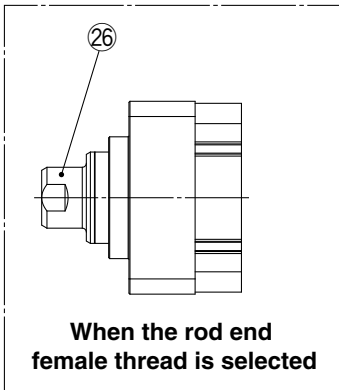
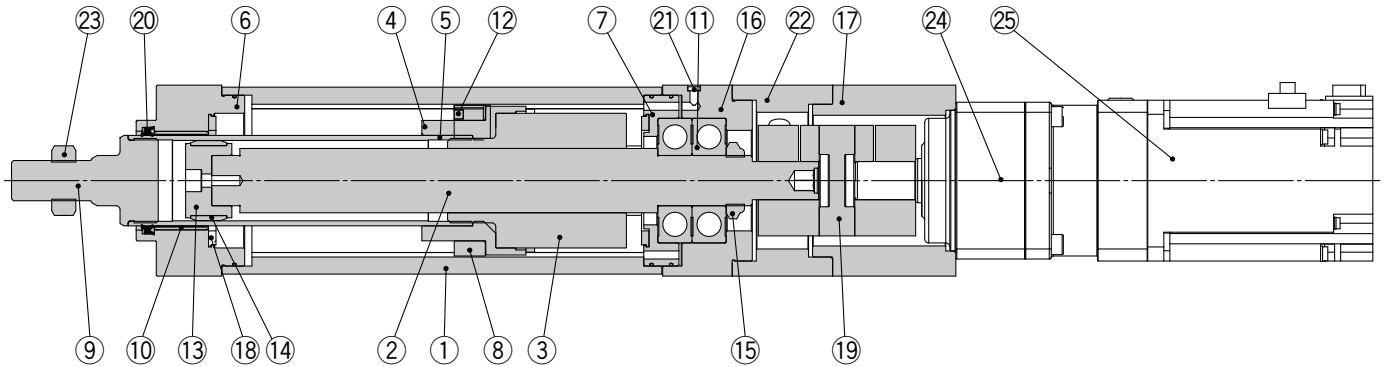
Stroke [mm]		[kg]										
		100	200	300	400	500	600	700	800	900	1000	
Motor type	LEY100DT9B	With motor, Without reducer	12.7	14.4	16.0	17.7	19.3	21.0	22.6	24.2	25.9	27.5
	LEY100DT9(D/L)	With motor, With reducer	15.1	16.8	18.4	20.1	21.7	23.4	25.0	26.6	28.3	29.9

Additional Weight

Size		100
Motor option	With lock	1.0
Rod end thread	Male thread	0.11
	Nut	0.05
Mounting	Foot bracket	1.1
	Flange	0.8

Construction

In-line motor type: LEY100



Component Parts

No.	Description	Material	Note
1	Body	Aluminum alloy	Anodized
2	Screw shaft	Alloy steel	
3	Ball screw nut	Alloy steel	
4	Piston	Aluminum alloy	
5	Piston rod	Alloy steel	Hard chrome plating
6	Rod cover	Aluminum alloy	Anodized
7	Bearing holder	Aluminum alloy	
8	Rotation stopper	Synthetic resin	
9	Socket (Male thread)	Alloy steel	Nickel plating
10	Bushing	Bearing alloy	
11	Bearing	—	
12	Magnet	—	
13	Wear ring holder	Aluminum alloy	

No.	Description	Material	Note
14	Wear ring	Synthetic resin	
15	Lock nut	Alloy steel	
16	Motor block	Aluminum alloy	Anodized
17	Motor flange	Aluminum alloy	Anodized
18	Bumper	Urethane	
19	Coupling	—	
20	Scraper	NBR	
21	Sintered element	Stainless steel	
22	Motor adapter	Aluminum alloy	Anodized
23	Nut	Alloy steel	Zinc chromating
24	Reducer	—	
25	Motor	—	
26	Socket (Female thread)	Alloy steel	Nickel plating

Replacement Parts/Grease Pack

Applied portion	Order no.
Piston rod	GR-S-010 (10 g)
	GR-S-020 (20 g)

Model Selection

Step Motor (Servo/24 VDC)/Servo Motor (24 VDC)
LEY

AC Servo Motor
LEYG

AC Servo Motor
LEY

Environment
25A-LEY LEY-X5 LEY-X7

Step Motor (Servo/24 VDC)/Servo Motor (24 VDC)
JXC51/61

Step Motor (Servo/24 VDC)/Servo Motor (24 VDC)
LECA6

Step Motor (Servo/24 VDC)/Servo Motor (24 VDC)
LECG

Step Motor (Servo/24 VDC)/Servo Motor (24 VDC)
LECP1

AC Servo Motor
LECPA

AC Servo Motor
JXC

AC Servo Motor
LECS

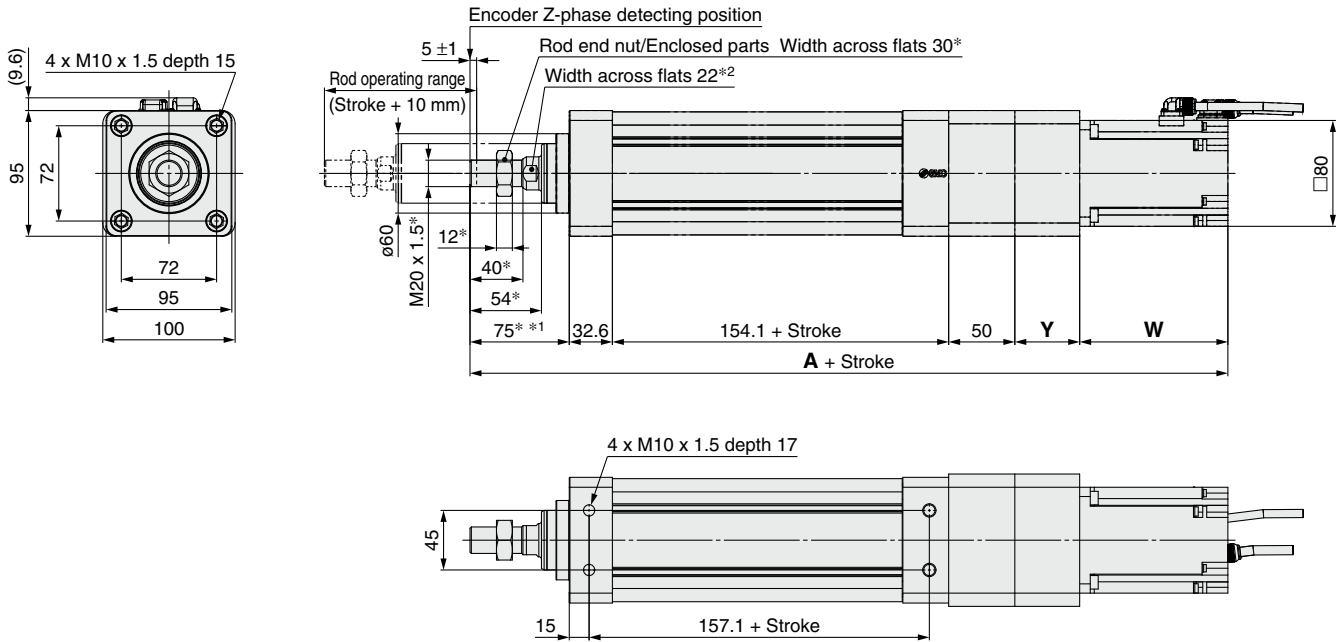
AC Servo Motor
LECY

Specific Product Precautions

Dimensions: In-line Motor

LEY100D□

Dimensions with * indicate the dimensions when a male rod end is selected.



Rod end female thread: LEY100DT9□-□□□□

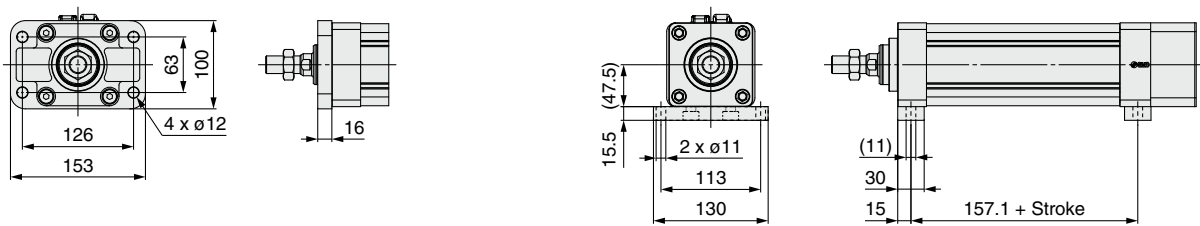
With reducer: LEY100DT9(D/L)-□□□□□



Size	Stroke range [mm]	LEY100DT9B						LEY100DT9(D/L) [With reducer]					
		Without lock			With lock			Without lock			With lock		
		A	Y	W	A	Y	W	A	Y	W	A	Y	W
100	100 to 1000	472.7	49	112	513	49	152.3	580.5	61.3	207.5	620.8	61.3	247.8

Rod flange: LEY100DT9□-□□□□F

Foot bracket: LEY100DT9□-□□□□L



Included parts
 · Flange
 · Body mounting bolt

Included parts
 · Mounting bracket (2 pcs.)
 · Body mounting bolt

*1 The dimension in the figure is the first Z-phase detecting position.

*2 The orientation of the square-width width across flats at the end of the rod differs for each product.

Specific Product Precautions	AC Servo Motor LECY <input type="checkbox"/> LECS <input type="checkbox"/>		Step Motor (Servo/24 VDC)/Servo Motor (24 VDC) JXC <input type="checkbox"/> LECPA LECPI LEC-G LEC-A6 JXC51/61						Environment 25A-LEY LEY-X5 LEY-X7			AC Servo Motor LEYG LEY		Step Motor (Servo/24 VDC)/Servo Motor (24 VDC) LEYG LEY		Model Selection

Electric Actuator Rod Type

Dust-tight/Water-jet-proof (IP65 Equivalent)

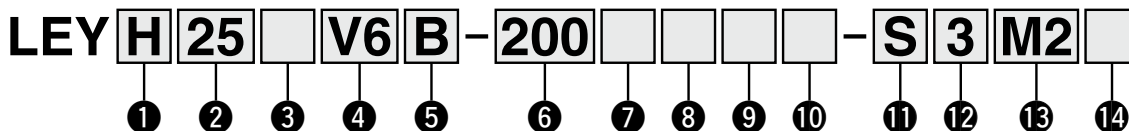
* Option

LEY Series LEY25, 32, 63



LECS Series ▶ pp. 69, 79, 86 Dust-tight/Water-jet-proof ▶ p. 187 Secondary Battery Compatible ▶ p. 201

How to Order



1 Accuracy

Nil	Basic type
H	High-precision type

2 Size

25
32
63

3 Motor mounting position

Nil	Top side parallel
R	Right side parallel
L	Left side parallel
D	In-line

4 Motor type

Symbol	Type	Output [W]	Size	Compatible drivers
V6*1	AC servo motor (Absolute encoder)	100	25	LECYM2-V5 LECYU2-V5
V7		200	32	LECYM2-V7 LECYU2-V7
V8		400	63	LECYM2-V8 LECYU2-V8

*1 For motor type V6, the compatible driver part number suffix is V5.

5 Lead [mm]

Symbol	LEY25	LEY32*1	LEY63
A	12	16 (20)	20
B	6	8 (10)	10
C	3	4 (5)	5
L	—	—	2.86*2

*1 The values shown in () are the leads for the top/right/left side parallel motor types. (Equivalent leads which include the pulley ratio [1.25:1])

*2 Only available for top/right/left side parallel motor types (Equivalent leads which include the pulley ratio [4:7])

6 Stroke [mm]

30	30
to	to
800	800

* For details, refer to the applicable stroke table below.

7 Dust-tight/Water-jet-proof (Only available for LEY63)

Symbol	LEY25/32	LEY63
Nil	IP4x equivalent	IP5x equivalent (Dust-protected)
P	—	IP65 equivalent (Dust-tight/Water-jet-proof)/With vent hole tap

* When using the dust-tight/water-jet-proof (IP65 equivalent), correctly mount the fitting and tubing to the vent hole tap, and then place the end of the tubing in an area not exposed to dust or water.

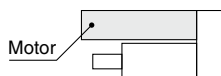
* The fitting and tubing should be provided separately by the customer. Select [Applicable tubing O.D.: ø4 or more, Connection thread: Rc1/8].

* Cannot be used in environments exposed to cutting oil, etc. Take appropriate protective measures. For details on enclosure, refer to the "Enclosure" on page 207.

8 Motor option

Nil	Without option
B	With lock

* When "With lock" is selected for the top/right/left side parallel motor types, the motor body will stick out from the end of the body for size 25 with strokes of 30 mm or less. Check for interference with workpieces before selecting a model.



9 Rod end thread

Nil	Rod end female thread
M	Rod end male thread (1 rod end nut is included.)

Applicable Stroke Table

●: Standard

Model	Stroke [mm]	30	50	100	150	200	250	300	350	400	450	500	600	700	800	Manufacturable stroke range
LEY25		●	●	●	●	●	●	●	●	●	—	—	—	—	—	15 to 400
LEY32		●	●	●	●	●	●	●	●	●	●	●	—	—	—	20 to 500
LEY63		—	●	●	●	●	●	●	●	●	●	●	●	●	●	50 to 800

* Please contact SMC for non-standard strokes as they are produced as special orders.

For auto switches, refer to pages 104 to 107.

Electric Actuator Rod Type **LEY Series**

AC Servo Motor

Size **25, 32, 63**

Dust-tight/Water-jet-proof (IP65 Equivalent)

* Option



Motor mounting position: Parallel

Motor mounting position: In-line

10 Mounting*1

Symbol	Type	Motor mounting position	
		Parallel	In-line
Nil	Ends tapped/ Body bottom tapped*2	●	●
L	Foot bracket	●	—
F	Rod flange*2	●*4	●
G	Head flange*2	●*5	—
D	Double clevis*3	●	—

*1 The mounting bracket is shipped together with the product but does not come assembled.

*2 For the horizontal cantilever mounting of the ends tapped, rod flange, or head flange types, use the actuator within the following stroke range.

· LEY25: 200 mm or less · LEY32: 100 mm or less · LEY63: 400 mm or less

*3 For the mounting of the double clevis type, use the actuator within the following stroke range.

· LEY25: 200 mm or less · LEY32: 200 mm or less · LEY63: 300 mm or less

*4 The rod flange type is not available for the LEY25 with a 30 mm stroke and motor option "With lock."

*5 The head flange type is not available for the LEY32/LEY63.

11 Cable type*1

Nil	Without cable
S	Standard cable
R	Robotic cable (Flexible cable)

*1 A motor cable and encoder cable are included with the product.

The motor cable for lock option is included when the motor with lock option is selected.

12 Cable length [m]*1

Nil	Without cable
3	3
5	5
A	10
C	20

*1 The length of the motor and encoder cables are the same. (For with lock)

13 Driver type

	Compatible drivers	Power supply voltage [V]
Nil	Without driver	—
M2	LECYM2-V□	200 to 230
U2	LECYU2-V□	200 to 230

* When a driver type is selected, a cable is included. Select the cable type and cable length.

14 I/O cable length [m]*1

Nil	Without cable
H	Without cable (Connector only)
1	1.5

*1 When "Nil: Without driver" is selected for the driver type, only "Nil: Without cable" can be selected.

Refer to page 302 if an I/O cable is required. (Options are shown on page 302.)

Compatible Drivers

Driver type	MECHATROLINK-II type	MECHATROLINK-III type
Series	LECYM	LECYU
Applicable network	MECHATROLINK-II	MECHATROLINK-III
Control encoder	Absolute 20-bit encoder	
Communication device	USB communication, RS-422 communication	
Power supply voltage [V]	200 to 230 VAC (50/60 Hz)	
Reference page	295	

Model Selection

Step Motor (Servo/24 VDC)/Servo Motor (24 VDC)
LEY
LEYG

AC Servo Motor
LEY

LEYG

Environment
LEY-X7

LEY-X5

25A-LEY

JXC51/61

LECA6

LEC-G

LECP1

LECPA

JXC□

AC Servo Motor
LECS□

LECY□

Specific Product Precautions

LEY Series

AC Servo Motor

Size **25, 32, 63**

Dust-tight/Water-jet-proof (IP65 Equivalent)

* Option

Specifications

Model		LEY25V6 (Parallel)/LEY25DV6 (In-line)			LEY32V7 (Parallel)			LEY32DV7 (In-line)				
Actuator specifications	Work load [kg]	Horizontal*1	18	50	50	30	60	60	30	60	60	
		Vertical	8	16	30	9	19	37	12	24	46	
	Force [N]*2 (Set value: 45 to 90%)		65 to 131	127 to 255	242 to 485	79 to 157	154 to 308	294 to 588	98 to 197	192 to 385	368 to 736	
	Max. speed [mm/s]	Stroke range	Up to 300	900	450	225	1200	600	300	1000	500	250
			305 to 400	600	300	150						
			405 to 500	—	—	—						
	Pushing speed [mm/s]*4		35 or less			30 or less			30 or less			
	Max. acceleration/deceleration [mm/s²]		5000			5000			5000			
	Positioning repeatability [mm]	Basic type	±0.02			±0.02			±0.02			
		High-precision type	±0.01			±0.01			±0.01			
	Lost motion*5 [mm]	Basic type	0.1 or less			0.1 or less			0.1 or less			
		High-precision type	0.05 or less			0.05 or less			0.05 or less			
	Lead [mm] (including pulley ratio)		12	6	3	20	10	5	16	8	4	
	Impact/Vibration resistance [m/s²]*6		50/20			50/20			50/20			
	Actuation type		Ball screw + Belt (LEY□□)/Ball screw (LEY□□)			Ball screw + Belt [1.25:1]			Ball screw			
Guide type		Sliding bushing (Piston rod)			Sliding bushing (Piston rod)			Sliding bushing (Piston rod)				
Operating temperature range [°C]		5 to 40			5 to 40			5 to 40				
Operating humidity range [%RH]		90 or less (No condensation)			90 or less (No condensation)			90 or less (No condensation)				
Required conditions for the regenerative resistor*7 [kg]	Horizontal	Not required			Not required			Not required				
	Vertical	6 or more			4 or more			4 or more				
Motor output/Size		100 W/□40			200 W/□60			200 W/□60				
Motor type		AC servo motor (200 VAC)			AC servo motor (200 VAC)			AC servo motor (200 VAC)				
Encoder		Absolute 20-bit encoder (Resolution: 1048576 p/rev)										
Power [W]*8		Max. power 445			Max. power 724			Max. power 724				
Type*9		Non-magnetizing lock										
Holding force [N]		131	255	485	157	308	588	197	385	736		
Power [W] at 20°C		5.5			6			6				
Rated voltage [V]		24 VDC ^{+10%} / ₀										

- *1 This is the max. value of the horizontal work load. An external guide is necessary to support the load (Friction coefficient of guide: 0.1 or less). The actual work load changes according to the condition of the external guide. Confirm the load using the actual device.
- *2 The force setting range (set values for the driver) for the force control with the torque control mode. Set it while referencing the "Force Conversion Graph (Guide)" on page 53.
- *3 The allowable speed changes according to the stroke.
- *4 The allowable collision speed for collision with the workpiece with the torque control mode
- *5 A reference value for correcting errors in reciprocal operation
- *6 Impact resistance: No malfunction occurred when the actuator was tested with a drop tester in both an axial direction and a perpendicular direction to the lead screw. (The test was performed with the actuator in the initial state.)

- Vibration resistance: No malfunction occurred in a test ranging between 45 to 2000 Hz. The test was performed in both an axial direction and a perpendicular direction to the lead screw. (The test was performed with the actuator in the initial state.)
- *7 The work load conditions which require the regenerative resistor when operating at the max. speed (Duty ratio: 100%). Order the regenerative resistor separately. For details, refer to the "Required Conditions for the Regenerative Resistor (Guide)" on pages 51 and 52.
- *8 Indicates the max. power during operation (including the driver) When selecting the power supply capacity, refer to the power supply capacity in the operation manual of each driver.
- *9 Only when motor option "With lock" is selected

Weight

Product Weight

[kg]

Series	LEY25V6 (Motor mounting position: Parallel)										LEY32V7 (Motor mounting position: Parallel)									
Stroke [mm]	30	50	100	150	200	250	300	350	400	30	50	100	150	200	250	300	350	400	450	500
Weight [kg]	1.2	1.3	1.6	1.7	1.9	2.1	2.2	2.4	2.6	2.3	2.4	2.7	3.2	3.5	3.8	4.0	4.3	4.6	4.9	5.2

Series	LEY25DV6 (Motor mounting position: In-line)										LEY32DV7 (Motor mounting position: In-line)									
Stroke [mm]	30	50	100	150	200	250	300	350	400	30	50	100	150	200	250	300	350	400	450	500
Weight [kg]	1.2	1.3	1.5	1.7	1.9	2.1	2.3	2.4	2.6	2.3	2.4	2.7	3.2	3.5	3.8	4.1	4.3	4.6	4.9	5.2

Additional Weight

[kg]

Size		25	32
Lock		0.30	0.60
Rod end male thread	Male thread	0.03	0.03
	Nut	0.02	0.02
Foot bracket (2 sets including mounting bolt)		0.08	0.14
Rod flange (including mounting bolt)		0.17	0.20
Head flange (including mounting bolt)			
Double clevis (including pin, retaining ring, and mounting bolt)		0.16	0.22

Specifications

Model		LEY63V8 (Parallel)				LEY63DV8 (In-line)			
Work load [kg]	Horizontal*1	40	70	80	200	40	70	80	
	Vertical	19	38	72	115	19	38	72	
Force [N]/Set value*2 : 45 to 150%*3		156 to 521	304 to 1012	573 to 1910	1003 to 3343	156 to 521	304 to 1012	573 to 1910	
Max. speed [mm/s]	Stroke range	Up to 500	1000	500	250	70	1000	500	250
		505 to 600	800	400	200		800	400	200
		605 to 700	600	300	150		600	300	150
		705 to 800	500	250	125		500	250	125
Pushing speed [mm/s]*5		30 or less							
Max. acceleration/deceleration [mm/s ²]		5000			3000	5000			
Positioning repeatability [mm]	Basic type	±0.02							
	High-precision type	±0.01							
Lost motion [mm]*6	Basic type	0.1 or less							
	High-precision type	0.05 or less							
Screw lead [mm] (including pulley ratio)		20	10	5	5 (2.86)	20	10	5	
Impact/Vibration resistance [m/s ²]*7		50/20							
Actuation type		Ball screw			Ball screw + Belt (Pulley ratio 4:7)	Ball screw			
Guide type		Sliding bushing (Piston rod)							
Operating temperature range [°C]		5 to 40							
Operating humidity range [%RH]		90 or less (No condensation)							
Required conditions for the regenerative resistor*8 [kg]	Horizontal	Not required							
	Vertical	2.5 or more							
Motor output/Size		400 W/□60							
Motor type		AC servo motor (200 VAC)							
Encoder		Absolute 20-bit encoder (Resolution: 1048576 p/rev)							
Power [W]*9		Max. power 1275							
Type*10		Non-magnetizing lock							
Holding force [N]		313	607	1146	2006	313	607	1146	
Power [W] at 20°C		6							
Rated voltage [V]		24 VDC ^{+10%} / ₀							

- *1 This is the max. value of the horizontal work load. An external guide is necessary to support the load (Friction coefficient of guide: 0.1 or less). The actual work load changes according to the condition of the external guide. Confirm the load using the actual device.
- *2 Set values for the driver
- *3 The force setting range (set values for the driver) for the force control with the torque control mode. The force and duty ratio change according to the set value. Set it while referencing the "Force Conversion Graph (Guide)" on page 53.
- *4 The allowable speed changes according to the stroke.
- *5 The allowable collision speed for collision with the workpiece with the torque control mode
- *6 A reference value for correcting errors in reciprocal operation
- *7 Impact resistance: No malfunction occurred when the actuator was tested with a drop tester in both an axial direction and a perpendicular direction to the lead screw. (The test was performed with the actuator in the initial state.)
Vibration resistance: No malfunction occurred in a test ranging between 45 to 2000 Hz. The test was performed in both an axial direction and a perpendicular direction to the lead screw. (The test was performed with the actuator in the initial state.)
- *8 The work load conditions which require the regenerative resistor when operating at the max. speed (Duty ratio: 100%)
- *9 Indicates the max. power during operation (including the driver)
When selecting the power supply capacity, refer to the power supply capacity in the operation manual of each driver.
- *10 Only when motor option "With lock" is selected

Weight

Product Weight

Series	LEY63V8 (Motor mounting position: Parallel)												[kg]	
Stroke [mm]	50	100	150	200	250	300	350	400	450	500	600	700	800	
Weight [kg]	4.8	5.3	6.0	6.5	7.7	8.2	8.8	9.3	9.9	10.4	12.1	13.3	14.4	

Series	LEY63DV8 (Motor mounting position: In-line)												[kg]	
Stroke [mm]	50	100	150	200	250	300	350	400	450	500	600	700	800	
Weight [kg]	5.0	5.5	6.1	6.6	7.8	8.3	9.0	9.5	10.1	10.6	12.3	13.4	14.6	

Additional Weight

Size	[kg]
Lock	0.6
Rod end male thread	0.12
Male thread Nut	0.04
Foot bracket (2 sets including mounting bolt)	0.26
Rod flange (including mounting bolt)	0.51
Double clevis (including pin, retaining ring, and mounting bolt)	0.58

Model Selection

Step Motor (Servo/24 VDC)/Servo Motor (24 VDC)
LEY
LEYG

AC Servo Motor
LEY
LEYG

Environment
LEY-X7
LEY-X5
25A-LEY

Step Motor (Servo/24 VDC)/Servo Motor (24 VDC)
JXC51/61
LECA6
LEC-G
LECP1
LECPA

AC Servo Motor
JXC
LECS
LECY

Specific Product Precautions

LEY Series

AC Servo Motor

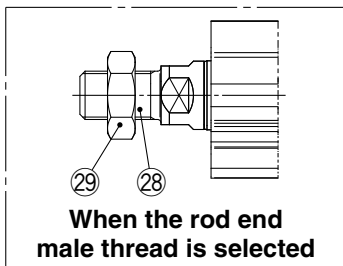
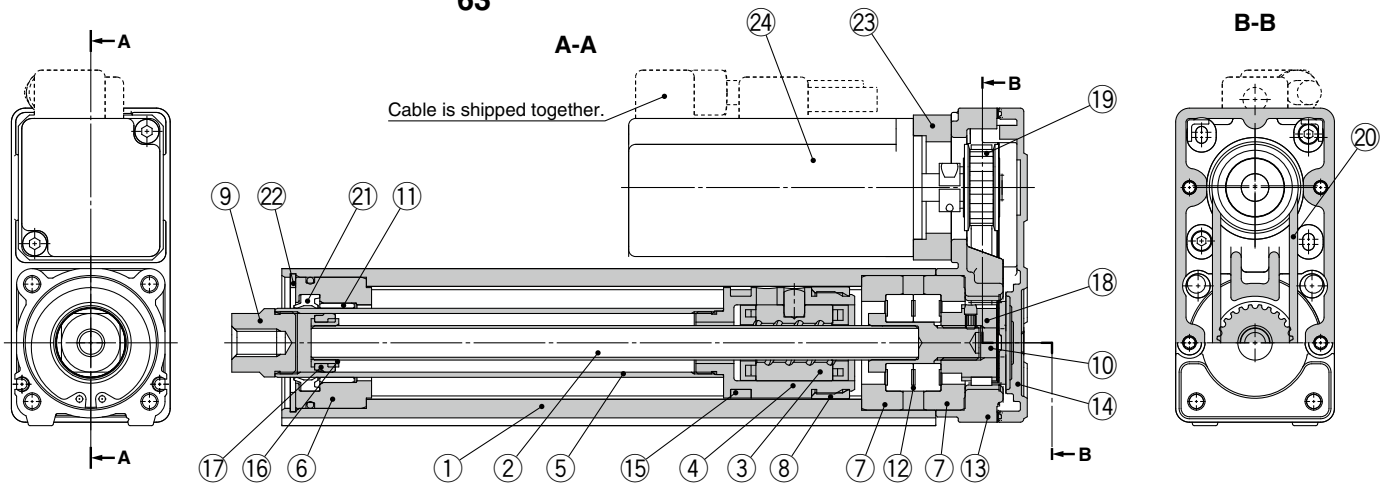
Size **25, 32, 63**

Dust-tight/Water-jet-proof (IP65 Equivalent)

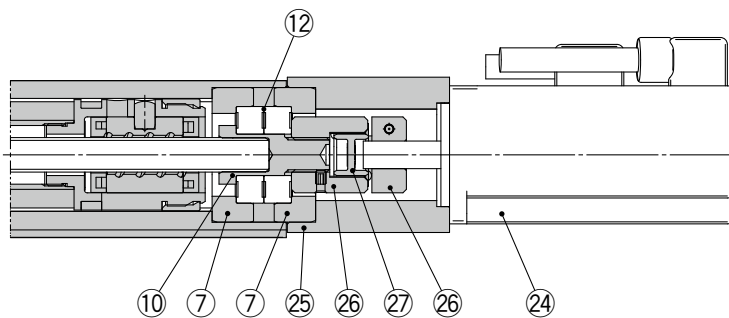
* Option

Construction

Top side parallel motor type: **LEY 25
32
63**



In-line motor type: **LEY32D
63**



Component Parts

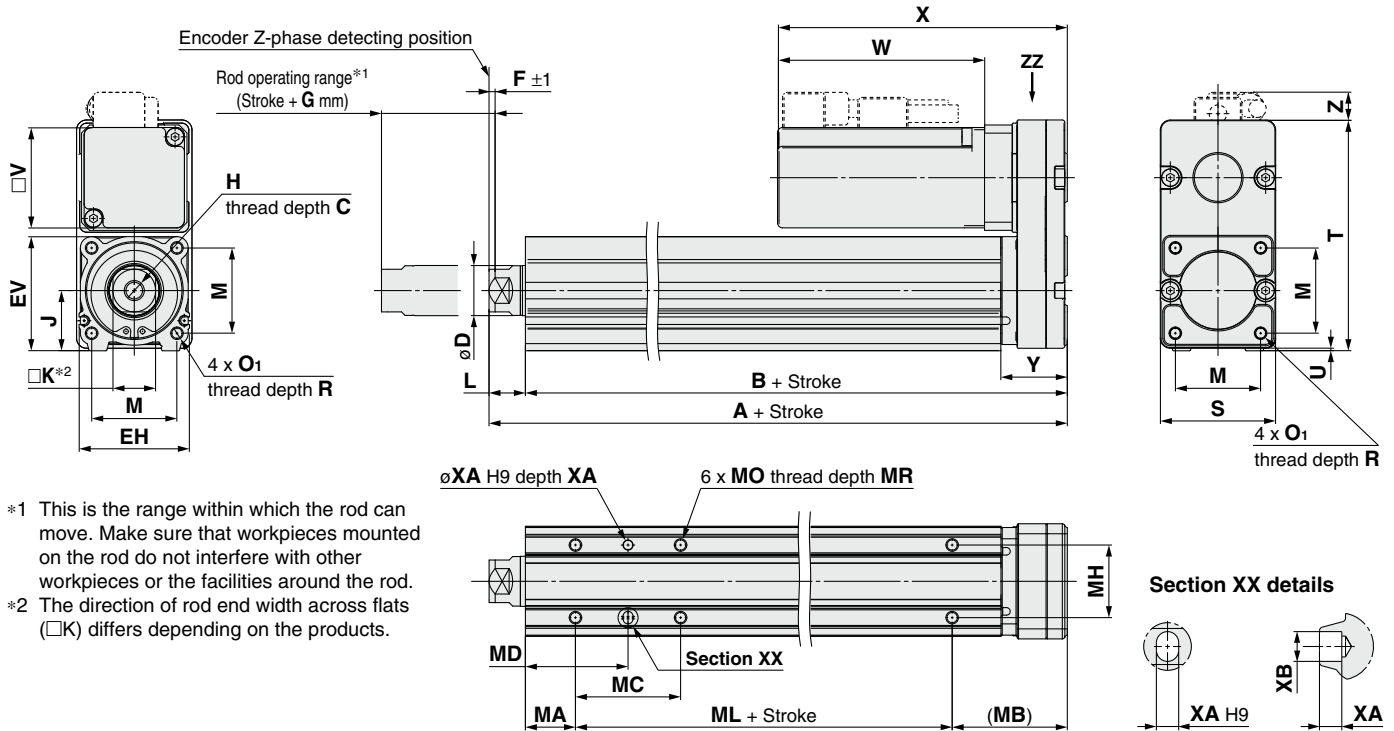
No.	Description	Material	Note
1	Body	Aluminum alloy	Anodized
2	Ball screw shaft	Alloy steel	
3	Ball screw nut	Synthetic resin/Alloy steel	
4	Piston	Aluminum alloy	
5	Piston rod	Stainless steel	Hard chrome plating
6	Rod cover	Aluminum alloy	
7	Bearing holder	Aluminum alloy	
8	Rotation stopper	Synthetic resin	
9	Socket	Free cutting carbon steel	Nickel plating
10	Connected shaft	Free cutting carbon steel	Nickel plating
11	Bushing	Bearing alloy	
12	Bearing	—	
13	Return box	Aluminum die-cast	Coating
14	Return plate	Aluminum die-cast	Coating
15	Magnet	—	
16	Wear ring holder	Stainless steel	Stroke 101 mm or more
17	Wear ring	Synthetic resin	Stroke 101 mm or more
18	Screw shaft pulley	Aluminum alloy	

No.	Description	Material	Note
19	Motor pulley	Aluminum alloy	
20	Belt	—	
21	Seal	NBR	
22	Retaining ring	Steel for spring	Phosphate coating
23	Motor adapter	Aluminum alloy	Coating
24	Motor	—	
25	Motor block	Aluminum alloy	Coating
26	Hub	Aluminum alloy	
27	Spider	Urethane	
28	Socket (Male thread)	Free cutting carbon steel	Nickel plating
29	Nut	Alloy steel	Zinc chromating

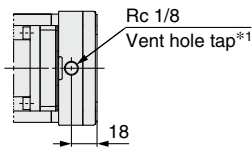
Replacement Parts (Top/Right/Left side parallel only)/Belt

No.	Size	Order no.	No.	Size	Lead	Order no.
20	25	LE-D-2-2	20	63	A/B/C	LE-D-2-5
					L	LE-D-2-6

Dimensions: Top/Right/Left Side Parallel Motor



IP65 equivalent (Dust-tight/Water-jet-proof): LEY63□□□□-□P (View ZZ)



*1 When using the dust-tight/water-jet-proof (IP65 equivalent), correctly mount the fitting and tubing to the vent hole tap, and then place the end of the tubing in an area not exposed to dust or water. The fitting and tubing should be provided separately by the customer. Select [Applicable tubing O.D.: ø4 or more, Connection thread: Rc1/8].

Size	Stroke range [mm]	A	B	C	D	EH	EV	H	J	K	L	M	O ₁	R	S	T	U	Y	V
25	15 to 100	130.5	116	13	20	44	45.5	M8 x 1.25	24	17	14.5	34	M5 x 0.8	8	46	92	1	26.5	40
	105 to 400	155.5	141																
32	20 to 100	148.5	130	13	25	51	56.5	M8 x 1.25	31	22	18.5	40	M6 x 1.0	10	60	118	1	34	60
	105 to 500	178.5	160																
63	Up to 200	192.6	155.2	21	40	76	82	M16 x 2	44	36	37.4	60	M8 x 1.25	16	80	146	4	32.2	60
	205 to 500	227.6	190.2																
	505 to 800	262.6	225.2																

Size	Stroke range [mm]	Without lock			With lock			F	G
		W	X	Z	W	X	Z		
25	15 to 100	82.5	115.5	11	127.5	160.5	11	2	4
	105 to 400								
32	20 to 100	80	120	14	120	160	14	2	4
	105 to 500								
63	50 to 200	98.5	138.5	12.5 (13.5)*1	138.5	178.5	12.5 (13.5)*1	4	8
	205 to 500								
	505 to 800								

*1 L lead

		Body Bottom Tapped									
Size	Stroke range [mm]	MA	MB	MC	MD	MH	ML	MO	MR	XA	XB
25	15 to 35	20	46	24	32	29	50	M5 x 0.8	6.5	4	5
	40 to 100			42	41						
	105 to 120			59	49.5						
	125 to 200			76	58						
	205 to 400			76	58						
32	20 to 35	25	55	22	36	30	50	M6 x 1	8.5	5	6
	40 to 100			36	43						
	105 to 120			53	51.5						
	125 to 200			70	60						
63	50 to 70	38	52.2	24	50	44	65	M8 x 1.25	10	6	7
	75 to 120			45	60.5						
	125 to 200			58	67						
	205 to 500			86	81						
	505 to 800			86	81						

Model Selection

Step Motor (Servo/24 VDC)/Servo Motor (24 VDC)

LEY

LEYG

LEY

LEYG

LEY

LEY-X7

Environment

LEY-X5

25A-LEY

JXC51/61

LECA6

LEC-G

LECP1

LECPA

JXC□

AC Servo Motor

LEY□

LECS□

LECY□

Specific Product Precautions

LEY Series

AC Servo Motor

Size **25, 32, 63**

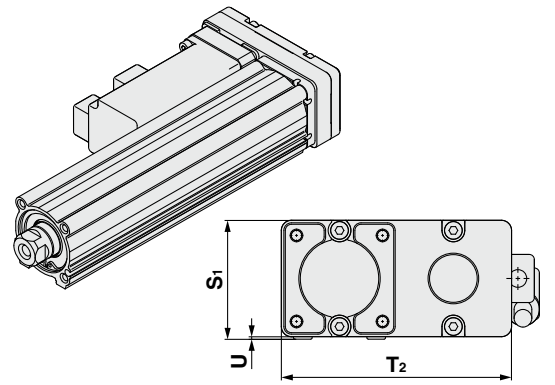
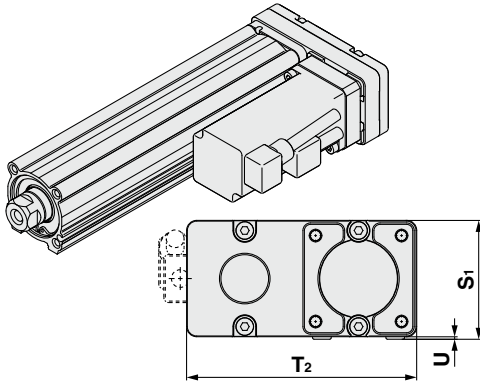
Dust-tight/Water-jet-proof (IP65 Equivalent)

* Option

Dimensions: Top/Right/Left Side Parallel Motor

Left side parallel motor type: LEY ²⁵32 L
63

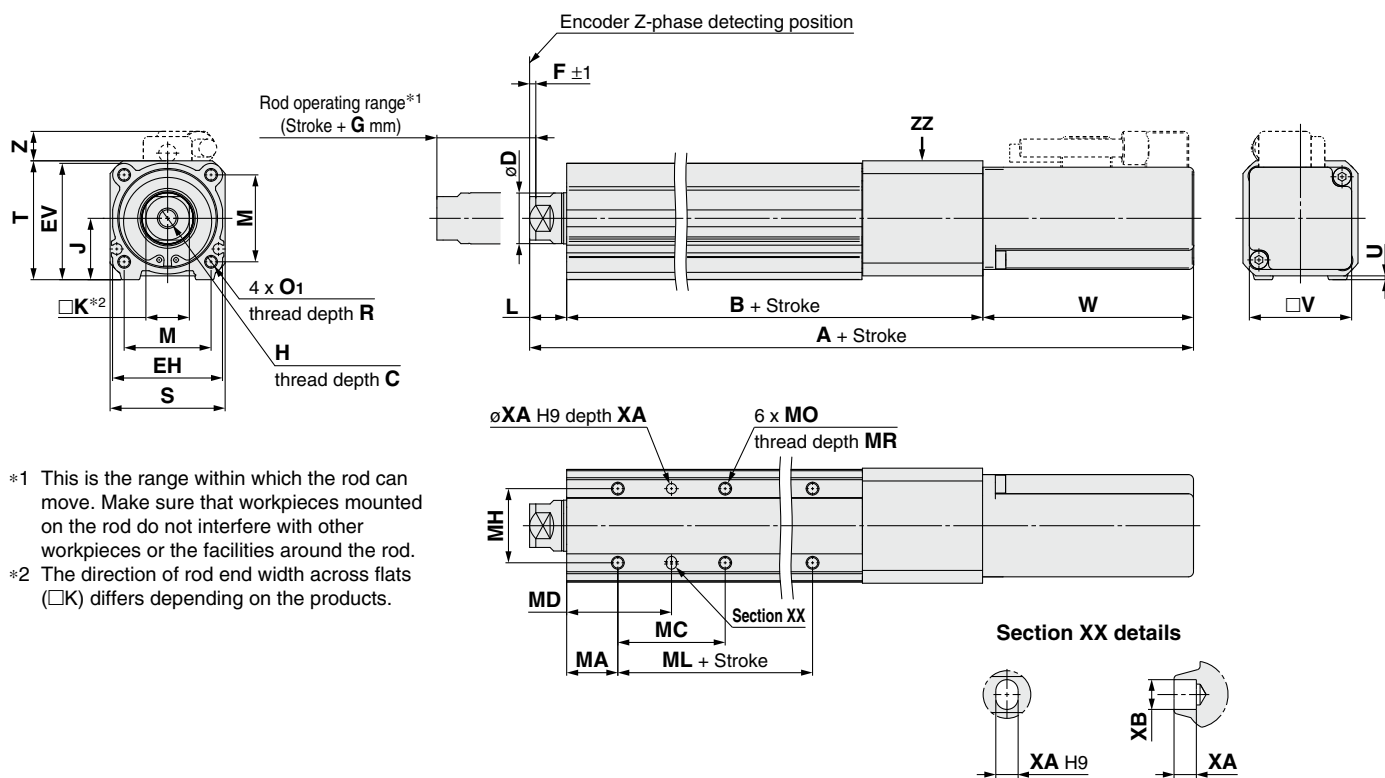
Right side parallel motor type: LEY ²⁵32 R
63



Size	S ₁	T ₂	U	[mm]
25	47	91	1	
32	61	117	1	
63	84	142	4	

* When the motor is mounted on the left or right side in parallel, the groove for auto switch on the side to which the motor is mounted is hidden.

Dimensions: In-line Motor



- *1 This is the range within which the rod can move. Make sure that workpieces mounted on the rod do not interfere with other workpieces or the facilities around the rod.
- *2 The direction of rod end width across flats (□K) differs depending on the products.

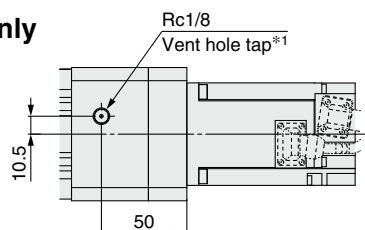
Size	Stroke range [mm]	C	D	EH	EV	H	J	K	L	M	O ₁	R	S	T	U	B	V
25	15 to 100	13	20	44	45.5	M8 x 1.25	24	17	14.5	34	M5 x 0.8	8	45	46.5	1.5	136.5	40
	105 to 400															161.5	
32	20 to 100	13	25	51	56.5	M8 x 1.25	31	22	18.5	40	M6 x 1.0	10	60	61	1	156	60
	105 to 500															186	
63	50 to 200	21	40	76	82	M16 x 2	44	36	37.4	60	M8 x 1.25	16	78	83	5	190.7	60
	205 to 500															225.7	
	505 to 800															260.7	

Size	Stroke range [mm]	Without lock			With lock			F	G
		A	W	Z	A	W	Z		
25	15 to 100	233.5			278.5			2	4
	105 to 400	258.5	82.5	11.5	303.5	127.5	11.5	2	4
32	20 to 100	254.5	80	14	294.5	120	14	2	4
	105 to 500	284.5			324.5				
63	50 to 200	326.6			366.6			4	8
	205 to 500	361.6	98.5	5	401.6	138.5	5	4	8
	505 to 800	396.6			436.6				

Size	Stroke range [mm]	MA	MC	MD	MH	ML	MO	MR	XA	XB
25	15 to 35		24	32						
	40 to 100		42	41	50					
	105 to 120	20	59	49.5	29		M5 x 0.8	6.5	4	5
	125 to 200		76	58	75					
	205 to 400		76	58						
32	20 to 35		22	36						
	40 to 100		36	43	50					
	105 to 120	25	53	51.5	30		M6 x 1	8.5	5	6
	125 to 200		70	60	80					
	205 to 500		70	60						
63	50 to 70		24	50						
	75 to 120		45	60.5	65					
	125 to 200	38	58	67	44		M8 x 1.25	10	6	7
	205 to 500		86	81						
	505 to 800		86	81						

IP65 equivalent (Dust-tight/Water-jet-proof): LEY63D□□-□P (View ZZ)

* LEY63 only



- *1 When using the dust-tight/water-jet-proof (IP65 equivalent), correctly mount the fitting and tubing to the vent hole tap, and then place the end of the tubing in an area not exposed to dust or water. The fitting and tubing should be provided separately by the customer. Select [Applicable tubing O.D.: ø4 or more, Connection thread: Rc1/8].

Model Selection

Step Motor (Servo/24 VDC)/Servo Motor (24 VDC)

LEY

LEYG

LEY

LEYG

Environment

LEY-X7

LEY-X5

25A-LEY

JXC51/61

LECA6

LECA6

LECG

LECP1

LECPA

JXC□

AC Servo Motor

LEY□

LECS□

Specific Product Precautions

LEY Series

AC Servo Motor

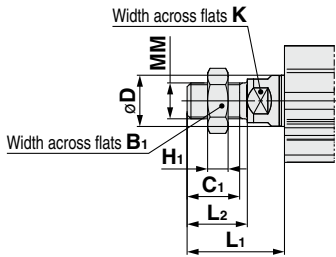
Size **25, 32, 63**

Dust-tight/Water-jet-proof (IP65 Equivalent)

* Option

Dimensions

End male thread: LEY **25** **32** **63** $\square\square$ $\frac{A}{B}$ $\frac{C}{C}$ $\frac{L}{L}$ $\square\square$ M

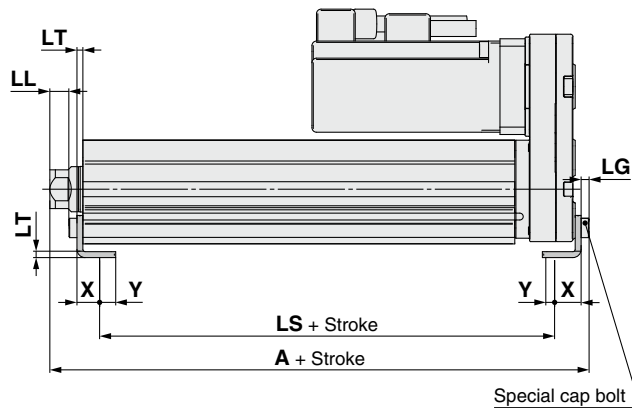
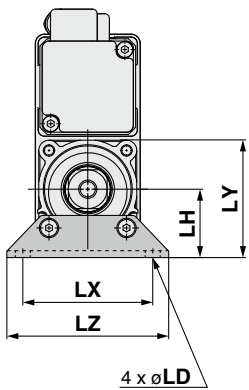


* Refer to pages 101 and 102 for details on the rod end nut and mounting bracket.
 * Refer to the "Handling" precautions on pages 204 to 207 when mounting end brackets such as knuckle joint or workpieces.

Size	B ₁	C ₁	D	H ₁	K	L ₁ *1	L ₂	MM
25	22	20.5	20	8	17	38	23.5	M14 x 1.5
32	22	20.5	25	8	22	42	23.5	M14 x 1.5
63	27	26	40	11	36	76.4	39	M18 x 1.5

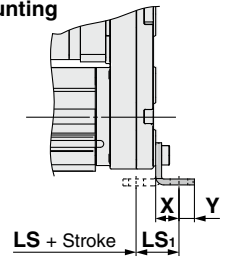
*1 The L₁ measurement is when the unit is in the Z-phase first detecting position. At this position, 2 mm at the end (size 25, 32) and 4 mm at the end (size 63).

Foot bracket: LEY **25** **32** **63** $\square\square$ $\frac{A}{B}$ $\frac{C}{C}$ $\frac{L}{L}$ $\square\square$ L



Included parts
 -Foot bracket
 -Body mounting bolt

Outward mounting



Foot Bracket

Size	Stroke range [mm]	A	LS	LS ₁	LL	LD	LG	LH	LT	LX	LY	LZ	X	Y
25	15 to 100	136.6	98.8											
	105 to 400	161.6	123.8	19.8	8.4	6.6	3.5	30	2.6	57	51.5	71	11.2	5.8
32	20 to 100	155.7	114											
	105 to 500	185.7	144	19.2	11.3	6.6	4	36	3.2	76	61.5	90	11.2	7
63	50 to 200	200.8	133.2											
	205 to 500	235.8	168.2	25.2	29.2	8.6	5	50	3.2	95	88	110	14.2	8
	505 to 800	270.8	203.2											

Material: Carbon steel (Chromating)

* The A measurement is when the unit is in the Z-phase first detecting position. At this position, 2 mm at the end (size 25, 32) and 4 mm at the end (size 63).

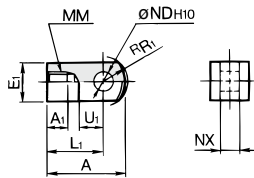
* When the motor mounting is the right or left side parallel type, the head side foot bracket should be mounted outward.

Accessory Brackets/Support Brackets

Single Knuckle Joint

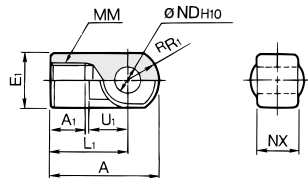
* If a knuckle joint is used, select the body option [end male thread].

I-G02



Material: Carbon steel

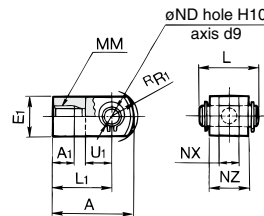
I-G04 I-G05 I-G10



Material: Cast iron

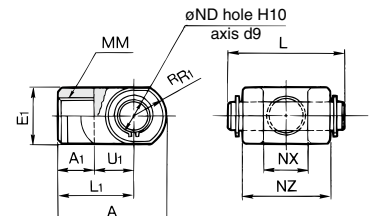
Double Knuckle Joint

Y-G02



Material: Carbon steel

Y-G04 Y-G05 Y-G10



Material: Cast iron

Part no.	Applicable size	A	A ₁	E ₁	L ₁	MM	R ₁	U ₁	ND _{H10}	NX
I-G02	16	34	8.5	□16	25	M8 x 1.25	10.3	11.5	8 ^{+0.058} ₀	8 ^{-0.2} _{-0.4}
I-G04	25, 32, 40	42	14	∅22	30	M14 x 1.5	12	14	10 ^{+0.058} ₀	18 ^{-0.3} _{-0.5}
I-G05	63	56	18	∅28	40	M18 x 1.5	16	20	14 ^{+0.070} ₀	22 ^{-0.3} _{-0.5}

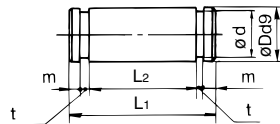
* Knuckle pin and retaining ring are included.

Part no.	Applicable size	A	A ₁	E ₁	L ₁	MM	R ₁
Y-G02	16	34	8.5	□16	25	M8 x 1.25	10.3
Y-G04	25, 32, 40	42	16	∅22	30	M14 x 1.5	12
Y-G05	63	56	20	∅28	40	M18 x 1.5	16

Part no.	Applicable size	U ₁	ND _{H10}	NX	NZ	L	Applicable pin part no.
Y-G02	16	11.5	8 ^{+0.058} ₀	8 ^{+0.4} _{+0.2}	16	21	IY-G02
Y-G04	25, 32, 40	14	10 ^{+0.058} ₀	18 ^{+0.5} _{+0.3}	36	41.6	IY-G04
Y-G05	63	20	14 ^{+0.070} ₀	22 ^{+0.5} _{+0.3}	44	50.6	IY-G05

Knuckle Pin

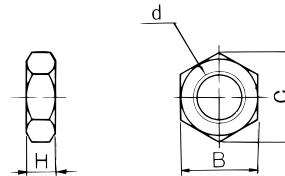
* Common with double clevis pin



Material: Carbon steel

Part no.	Applicable size	Dd9	L ₁	L ₂	d	m	t	Retaining ring
IY-G02	16	8 ^{-0.040} _{-0.076}	21	16.2	7.6	1.5	0.9	Type C retaining ring 8
IY-G04	25, 32, 40	10 ^{-0.040} _{-0.076}	41.6	36.2	9.6	1.55	1.15	Type C retaining ring 10
IY-G05	63	14 ^{-0.050} _{-0.093}	50.6	44.2	13.4	2.05	1.15	Type C retaining ring 14

Rod End Nut



Material: Carbon steel

Part no.	Applicable size	d	H	B	C
NT-02	16	M8 x 1.25	5	13	15.0
NT-04	25, 32, 40	M14 x 1.5	8	22	25.4
NT-05	63	M18 x 1.5	11	27	31.2
DA00B7	100	M20 x 1.5	12	30	34.6

Mounting Bracket Part Nos.

Mounting bracket	Order qty.	Applicable size					Contents
		16	25	32, 40	63	100	
Foot bracket	2*1	LEY-L016	LEY-L025	LEY-L032	LEY-L063	LEY-L100	Foot bracket x 2 Mounting bolt x 4
Flange	1	LEY-F016	LEY-F025	LEY-F032	LEY-F063	LEY-F100	Flange x 1 Mounting bolt x 4
Double clevis	1	LEY-D016	LEY-D025	LEY-D032	LEY-D063	—	Clevis x 1 Mounting bolt x 4 Clevis pin x 1 Type C retaining ring for axis x 2

*1 When ordering foot brackets, order 2 pieces per actuator.

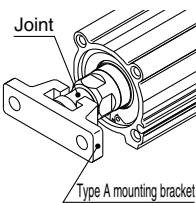
Simple Joint Brackets

* The joint is not included for type A and type B mounting brackets. Therefore, it must be ordered separately.
* Use with a force of 7800 N or less.

Joint and Mounting Bracket (Type A/B)/Part No.

Joint **LEY-U025**

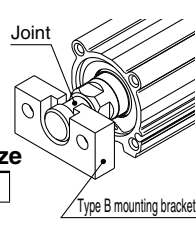
Applicable size
025 25, 32, 40



Joint
Type A mounting bracket

Mounting bracket **YA-03**

Mounting bracket • **Applicable size**
03 25, 32, 40



Joint
Type B mounting bracket

YA	Type A mounting bracket
YB	Type B mounting bracket

Allowable Eccentricity [mm]

Applicable size	25	32	40
Eccentricity tolerance	±1		
Backlash	0.5		

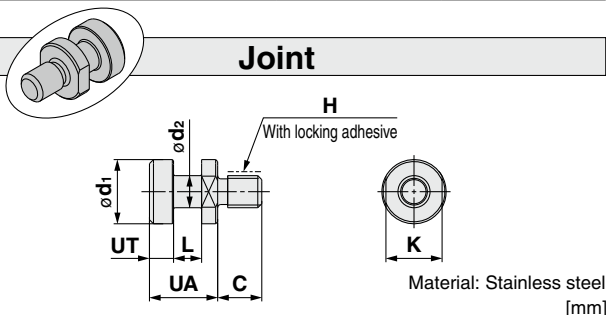
<How to Order>

- The joint is not included for type A and type B mounting brackets. Therefore, it must be ordered separately.
- Example) Order no. Joint..... LEY-U025
- Type A mounting bracket..... YA-03

Joint and Mounting Bracket (Type A/B)/Part No.

Applicable size	Joint part no.	Applicable mounting bracket part no.	
		Type A mounting bracket	Type B mounting bracket
25, 32, 40	LEY-U025	YA-03	YB-03

Joint



With locking adhesive

Material: Stainless steel [mm]

Part no.	Applicable size	UA	C	d ₁	d ₂	H	K	L	UT	Weight [g]
LEY-U025	25, 32, 40	17	11	16	8	M8 x 1.25	14	7	6	22

Floating Joints (Refer to the Web Catalog for details.)

● For Male Thread/JC (Light weight type)

- With an aluminum case



● For Male Thread/JS (Stainless steel)

- Stainless steel 304 (Exterior)

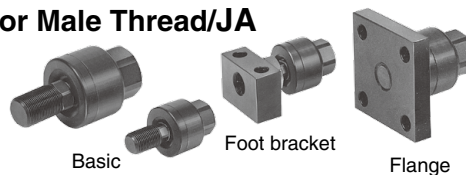
- Dust cover

Fluororubber/Silicone rubber



Applicable size	Thread size
16	M8 x 1.25
25, 32, 40	M14 x 1.5
63	M18 x 1.5

● For Male Thread/JA

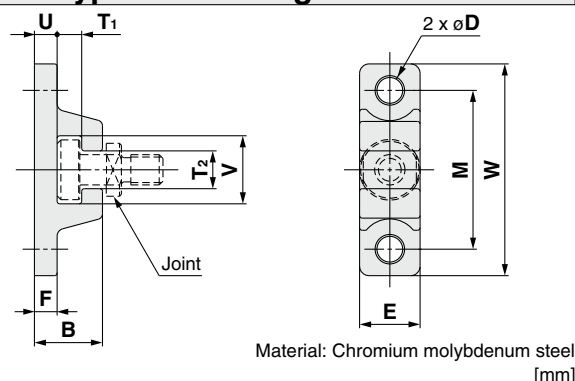


● For Female Thread/JB



Applicable size	Thread size
16	M5 x 0.8
25, 32, 40	M8 x 1.25
63	M16 x 2
100	M20 x 1.5

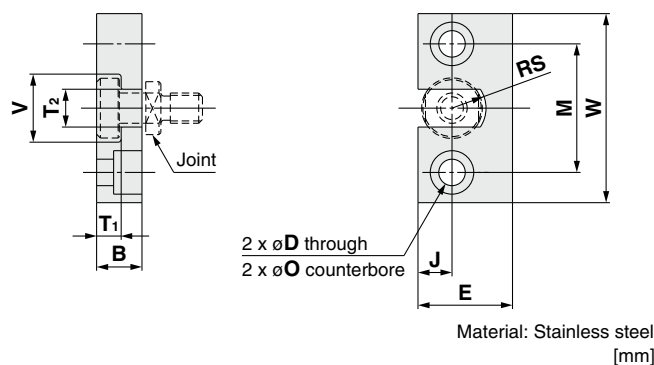
Type A Mounting Bracket



Part no.	Applicable size	B	D	E	F	M	T ₁	T ₂	U
YA-03	25, 32, 40	18	6.8	16	6	42	6.5	10	6

Part no.	Applicable size	V	W	Weight [g]
YA-03	25, 32, 40	18	56	55

Type B Mounting Bracket



Part no.	Applicable size	B	D	E	J	M	øO
YB-03	25, 32, 40	12	7	25	9	34	11.5 depth 7.5

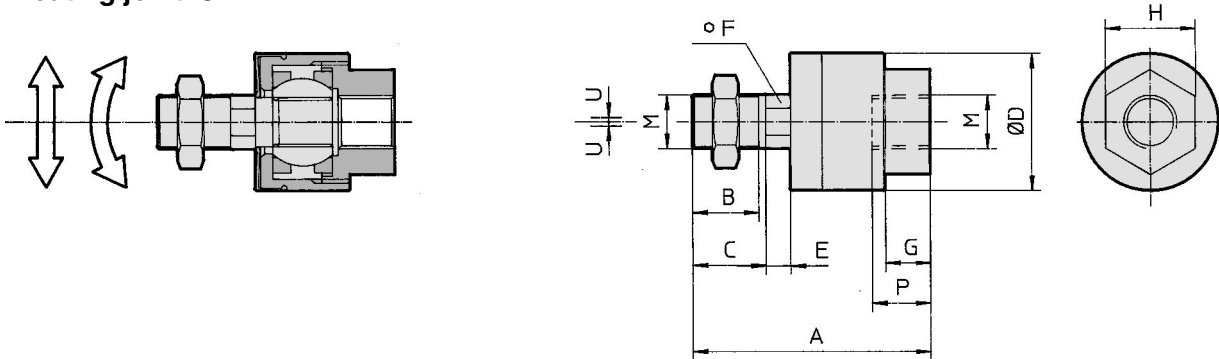
Part no.	Applicable size	T ₁	T ₂	V	W	RS	Weight [g]
YB-03	25, 32, 40	6.5	10	18	50	9	80

Model Selection
 LEY
 LEYG
 LEY
 LEYG
 Environment
 LEY-X7
 LEY-X5
 25A-LEY
 JXC51/61
 LECA6
 LEC-G
 Step Motor (Servo/24 VDC)/Servo Motor (24 VDC)
 LECPA
 JXC
 AC Servo Motor
 LECS
 LECY
 Specific Product Precautions

Accessory Mounting Brackets 2

Dimensions: Piston Rod Accessories

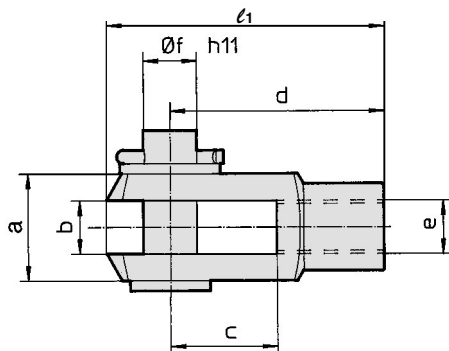
Floating joint: JA



Size	Part no.	M	A	B	C	ϕD	E	F	G	H	P	U	Load [kN]	Weight [g]	Rotating angle
100	JAH50-20-150	M20 x 1.5	101	28	31	59.5	11.5	24	16	32	18	2	18	1080	$\pm 0.5^\circ$

* Black color

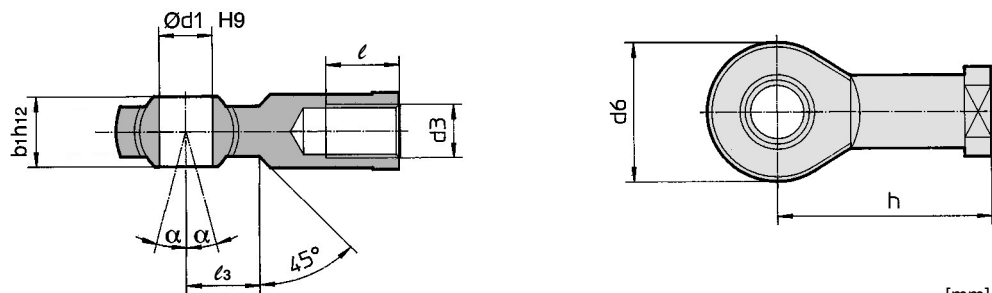
Rod clevis: GKM (ISO 8140)



Size	Part no.	e	b	d	ϕf h11 (Shaft)	ϕf H9 (Hole)	l_1	c (Min.)	a (Max.)
100	GKM20-40	M20 x 1.5	$20^{+0.5}_{+0.15}$	80	20	20	105	40	40

* Supplied with clevis pin and clevis pin bracket

Rod end: KJ (ISO 8139)

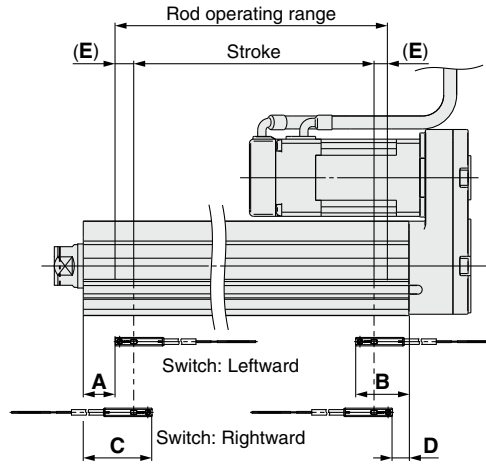
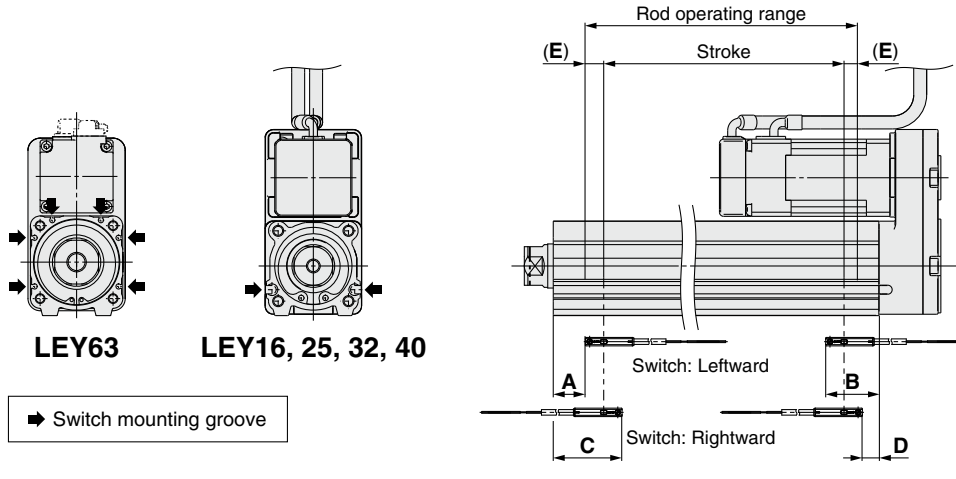


Size	Part no.	d3	ϕd_1 H9	h	d6 (Max.)	b1 h12	l (Min.)	α	l_3
100	KJ20D	M20 x 1.5	20	77	50	25	33	4°	27

LEY Series Auto Switch Mounting

Auto Switch Proper Mounting Position

Applicable auto switch: D-M9□(V), D-M9□E(V), D-M9□W(V), D-M9□A(V)



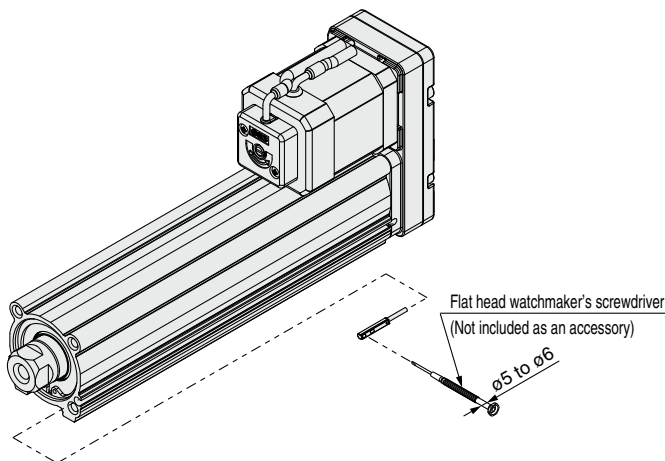
[mm]

Size	Stroke range	Auto switch position				Return to origin distance	Operating range
		Leftward mounting		Rightward mounting			
		A	B	C	D		
16	10 to 100	21.5	46.5	33.5	34.5	(2)	2.9
	105 to 300	41.5		53.5			
25	15 to 100	27	62.5	39	50.5	(2)	4.2
	105 to 400	52		64			
32/40	20 to 100	30.5	65.5	42.5	53.5	(2)	4.9
	105 to 500	60.5		72.5			
63	50 to 200	37	86	49	74	(4)	9.8
	205 to 500	72		84			
	505 to 800	107		119			

- * The values in the table to the left are to be used as a reference when mounting auto switches for stroke end detection. Adjust the auto switch after confirming the operating conditions in the actual setting.
- * An auto switch cannot be mounted on the same side as a motor.
- * For LEYG series models (with a guide), an auto switch cannot be mounted on the guide attachment side (rod side).
- * Since the operating range is provided as a guideline including hysteresis, it cannot be guaranteed (assuming approx. $\pm 30\%$ dispersion). It may change substantially depending on the ambient environment.

Auto Switch Mounting

Size: 16, 25, 32, 40, 63



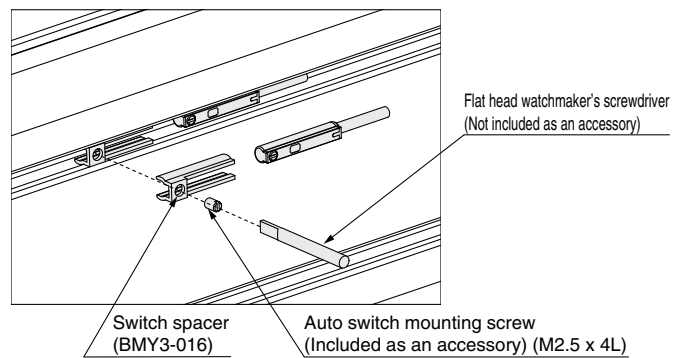
Tightening Torque for Auto Switch Mounting Screw [N·m]

Auto switch model	Tightening torque
D-M9□(V) D-M9□E(V) D-M9□W(V)	0.05 to 0.15
D-M9□A(V)	0.05 to 0.10

- * When tightening the auto switch mounting screw (included with the auto switch), use a watchmaker's screwdriver with a handle diameter of 5 to 6 mm.

Size: 100

A switch spacer is required in order to mount an auto switch. When mounting an auto switch, first, hold a switch spacer between your fingers and press it into the slot. When doing this, confirm that it is set in the correct mounting orientation, or reinsert it if necessary. Next, insert the auto switch into the slot and slide it until it is positioned under the switch spacer. After confirming the mounting position, use a flat head watchmaker's screwdriver to tighten the included auto switch mounting screw.



Switch Spacer Part No.

Switch spacer	BMY3-016
---------------	----------

Tightening Torque for Auto Switch Mounting Screw

Auto switch model	Tightening torque
D-M9□(V) D-M9□W(V)	0.10 to 0.15

Solid State Auto Switch Direct Mounting Type D-M9N(V)/D-M9P(V)/D-M9B(V)



Refer to the SMC website for details on products that are compliant with international standards.

Auto Switch Specifications

PLC: Programmable Logic Controller

D-M9□, D-M9□V (With indicator light)						
Auto switch model	D-M9N	D-M9NV	D-M9P	D-M9PV	D-M9B	D-M9BV
Electrical entry direction	In-line	Perpendicular	In-line	Perpendicular	In-line	Perpendicular
Wiring type	3-wire				2-wire	
Output type	NPN		PNP		—	
Applicable load	IC circuit, Relay, PLC				24 VDC relay, PLC	
Power supply voltage	5, 12, 24 VDC (4.5 to 28 V)				—	
Current consumption	10 mA or less				—	
Load voltage	28 VDC or less		—		24 VDC (10 to 28 VDC)	
Load current	40 mA or less				2.5 to 40 mA	
Internal voltage drop	0.8 V or less at 10 mA (2 V or less at 40 mA)				4 V or less	
Leakage current	100 μA or less at 24 VDC				0.8 mA or less	
Indicator light	Red LED illuminates when turned ON.					
Standard	CE marking, RoHS					

Grommet

- 2-wire load current is reduced (2.5 to 40 mA).
- Using flexible cable as standard spec.



Oilproof Heavy-duty Lead Wire Specifications

Auto switch model		D-M9N(V)	D-M9P(V)	D-M9B(V)
Sheath	Outside diameter [mm]	2.6		
Insulator	Number of cores	3 cores (Brown/Blue/Black)		2 cores (Brown/Blue)
	Outside diameter [mm]	0.88		
Conductor	Effective area [mm ²]	0.15		
	Strand diameter [mm]	0.05		
Min. bending radius [mm] (Reference values)		17		

Caution

Precautions

Fix the auto switch with the existing screw installed on the auto switch body. The auto switch may be damaged if a screw other than the one supplied is used.

- * Refer to the **Web Catalog** for solid state auto switch common specifications.
- * Refer to the **Web Catalog** for lead wire lengths.

Weight

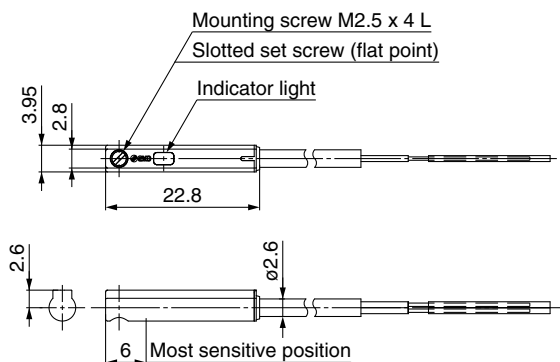
[g]

Auto switch model		D-M9N(V)	D-M9P(V)	D-M9B(V)
Lead wire length	0.5 m (Nil)	8	7	7
	1 m (M)	14	13	13
	3 m (L)	41	38	38
	5 m (Z)	68	63	63

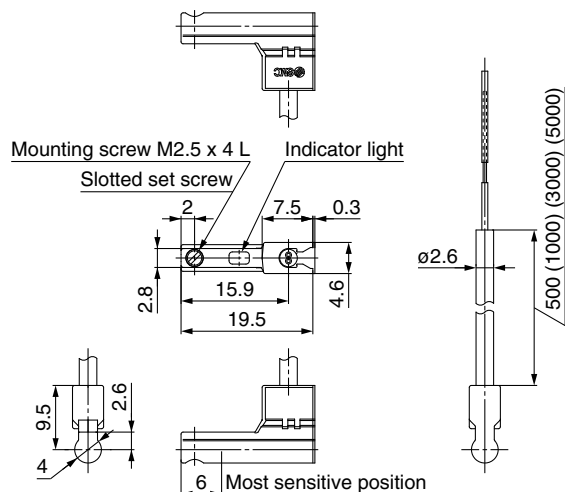
Dimensions

[mm]

D-M9□



D-M9□V



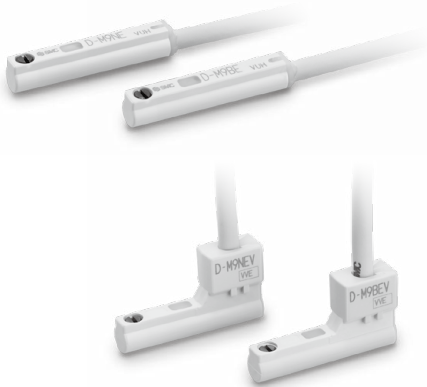
Normally Closed Solid State Auto Switch Direct Mounting Type D-M9NE(V)/D-M9PE(V)/D-M9BE(V)

Refer to the SMC website for details on products that are compliant with international standards.

PLC: Programmable Logic Controller

Grommet

- Output signal turns on when no magnetic force is detected.
- Can be used for the actuator adopted by the solid state auto switch D-M9 series (excluding special order products)



Caution

Precautions

Fix the auto switch with the existing screw installed on the auto switch body. The auto switch may be damaged if a screw other than the one supplied is used.

Auto Switch Specifications

D-M9□E, D-M9□EV (With indicator light)						
Auto switch model	D-M9NE	D-M9NEV	D-M9PE	D-M9PEV	D-M9BE	D-M9BEV
Electrical entry direction	In-line	Perpendicular	In-line	Perpendicular	In-line	Perpendicular
Wiring type	3-wire				2-wire	
Output type	NPN		PNP		—	
Applicable load	IC circuit, Relay, PLC				24 VDC relay, PLC	
Power supply voltage	5, 12, 24 VDC (4.5 to 28 V)				—	
Current consumption	10 mA or less				—	
Load voltage	28 VDC or less		—		24 VDC (10 to 28 VDC)	
Load current	40 mA or less				2.5 to 40 mA	
Internal voltage drop	0.8 V or less at 10 mA (2 V or less at 40 mA)				4 V or less	
Leakage current	100 μA or less at 24 VDC				0.8 mA or less	
Indicator light	Red LED illuminates when turned ON.					
Standard	CE marking, RoHS					

Oilproof Heavy-duty Lead Wire Specifications

Auto switch model	D-M9NE(V)	D-M9PE(V)	D-M9BE(V)
Sheath	Outside diameter [mm]		
	2.6		
Insulator	Number of cores		
	3 cores (Brown/Blue/Black)		2 cores (Brown/Blue)
Conductor	Outside diameter [mm]		
	0.88		
	Effective area [mm ²]		
	0.15		
	Strand diameter [mm]		
	0.05		
Min. bending radius [mm] (Reference values)	17		

- * Refer to the **Web Catalog** for solid state auto switch common specifications.
- * Refer to the **Web Catalog** for lead wire lengths.

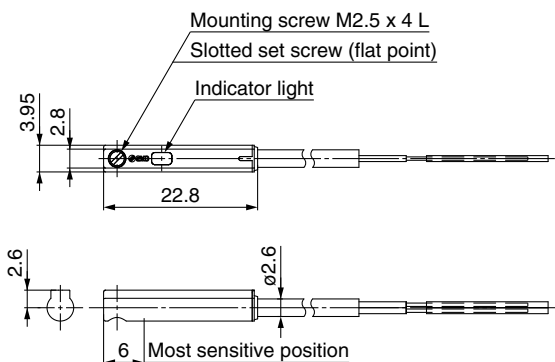
Weight

Auto switch model	D-M9NE(V)	D-M9PE(V)	D-M9BE(V)
Lead wire length	0.5 m (Nil)	8	7
	1 m (M)*1	14	13
	3 m (L)	41	38
	5 m (Z)*1	68	63

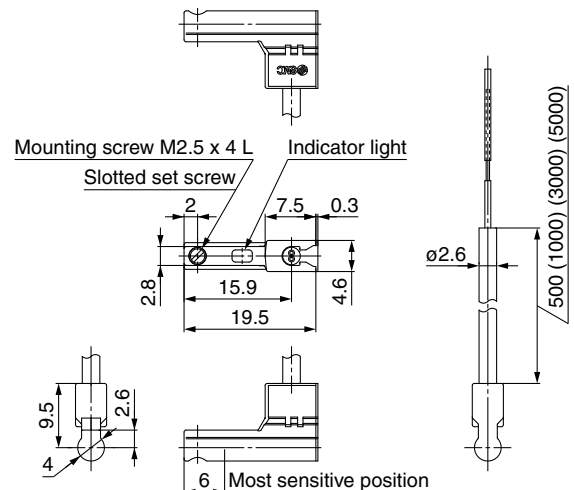
*1 The 1 m and 5 m options are produced upon receipt of order.

Dimensions

D-M9□E



D-M9□EV



2-Color Indicator Solid State Auto Switch Direct Mounting Type

D-M9NW(V)/D-M9PW(V)/D-M9BW(V)



Refer to the SMC website for details on products that are compliant with international standards.

Grommet

- 2-wire load current is reduced (2.5 to 40 mA).
- Using flexible cable as standard spec.
- The proper operating range can be determined by the color of the light. (Red → Green ← Red)



Caution

Precautions

Fix the auto switch with the existing screw installed on the auto switch body. The auto switch may be damaged if a screw other than the one supplied is used.

Auto Switch Specifications

PLC: Programmable Logic Controller

D-M9□W, D-M9□WV (With indicator light)						
Auto switch model	D-M9NW	D-M9NWV	D-M9PW	D-M9PWV	D-M9BW	D-M9BWV
Electrical entry direction	In-line	Perpendicular	In-line	Perpendicular	In-line	Perpendicular
Wiring type	3-wire				2-wire	
Output type	NPN		PNP		—	
Applicable load	IC circuit, Relay, PLC				24 VDC relay, PLC	
Power supply voltage	5, 12, 24 VDC (4.5 to 28 V)				—	
Current consumption	10 mA or less				—	
Load voltage	28 VDC or less		—		24 VDC (10 to 28 VDC)	
Load current	40 mA or less				2.5 to 40 mA	
Internal voltage drop	0.8 V or less at 10 mA (2 V or less at 40 mA)				4 V or less	
Leakage current	100 μA or less at 24 VDC				0.8 mA or less	
Indicator light	Operating range Red LED illuminates. Proper operating range Green LED illuminates.					
Standard	CE marking, RoHS					

Oilproof Flexible Heavy-duty Lead Wire Specifications

Auto switch model		D-M9NW(V)	D-M9PW(V)	D-M9BW(V)
Sheath	Outside diameter [mm]	2.6		
Insulator	Number of cores	3 cores (Brown/Blue/Black)		2 cores (Brown/Blue)
	Outside diameter [mm]	0.88		
Conductor	Effective area [mm ²]	0.15		
	Strand diameter [mm]	0.05		
Min. bending radius [mm] (Reference values)		17		

- * Refer to the **Web Catalog** for solid state auto switch common specifications.
- * Refer to the **Web Catalog** for lead wire lengths.

Weight

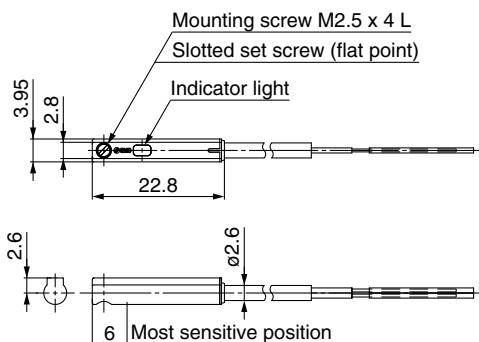
[g]

Auto switch model		D-M9NW(V)	D-M9PW(V)	D-M9BW(V)
Lead wire length	0.5 m (Nil)	8	7	7
	1 m (M)	14	13	13
	3 m (L)	41	38	38
	5 m (Z)	68	63	63

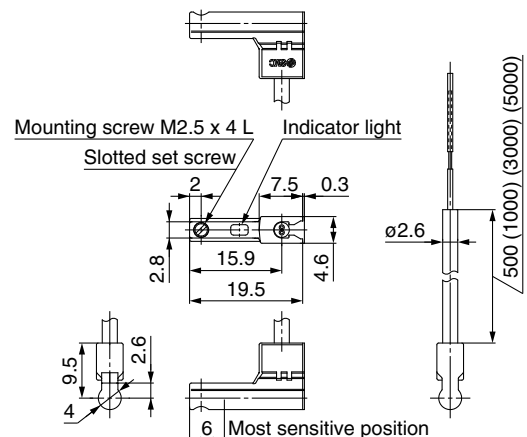
Dimensions

[mm]

D-M9□W



D-M9□WV



Electric Actuators

Guide Rod Type

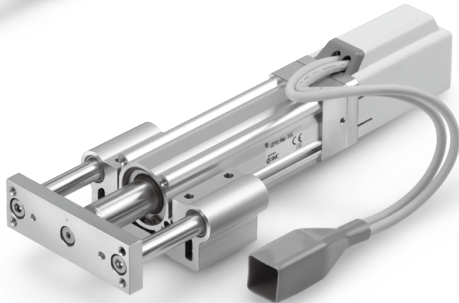
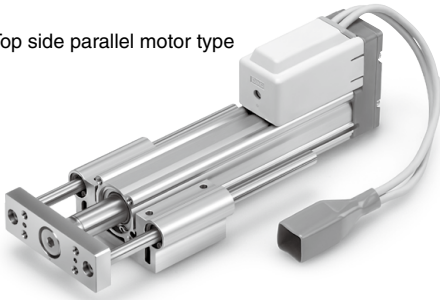
LEYG Series

Step Motor (Servo/24 VDC)

Servo Motor (24 VDC)

p. 125

Top side parallel motor type

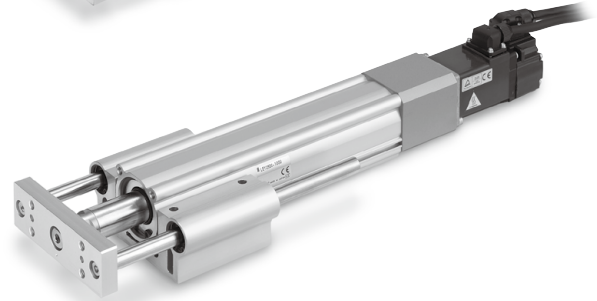
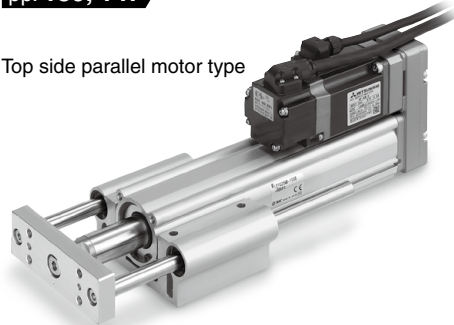


In-line motor type

AC Servo Motor

pp. 139, 147

Top side parallel motor type



In-line motor type

Step Motor/Servo Motor Controller/Driver p. 210

AC Servo Motor Driver p. 264

Model Selection

Step Motor (Servo/24 VDC)/Servo Motor (24 VDC)
LEYG

AC Servo Motor
LEYG

Environment
25A-LEYG LEY-X5 LEY-X7

Step Motor (Servo/24 VDC)/Servo Motor (24 VDC)
JXC51/61 JXC51/61 LEC-A6 LEC-A6 LEC-G LEC-G LEC-P1 LEC-P1 LEC-PA LEC-PA

AC Servo Motor
LECY LECY LECY LECY

Specific Product Precautions

Model Selection



LEYG Series ▶ p. 125

Moment Load Graph

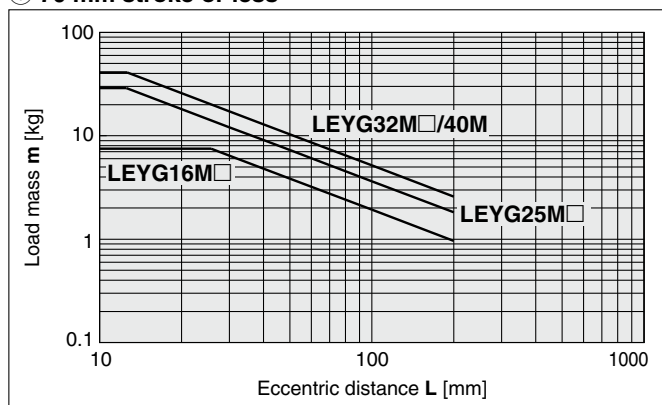
Selection conditions

Mounting position		Vertical		Horizontal	
Max. speed [mm/s]		"Speed-Work Load Graph"		200 or less	Over 200
Bearing	Sliding bearing	Graphs ①, ②		Graphs ⑤, ⑥*1	—
	Ball bushing bearing	Graphs ③, ④		Graphs ⑦, ⑧	Graphs ⑨, ⑩

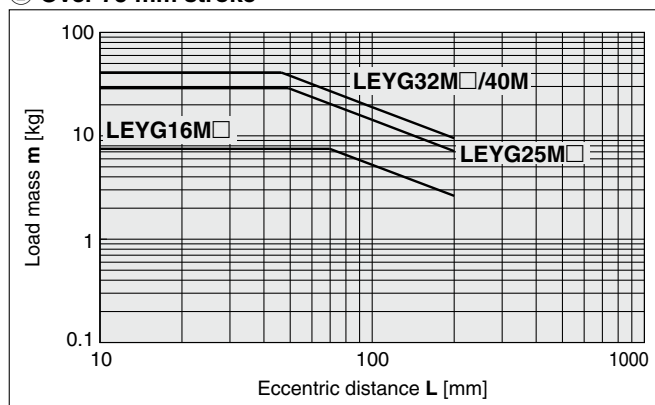
*1 For the sliding bearing type, the speed is restricted with a horizontal/moment load.

Vertical Mounting, Sliding Bearing

① 70 mm stroke or less



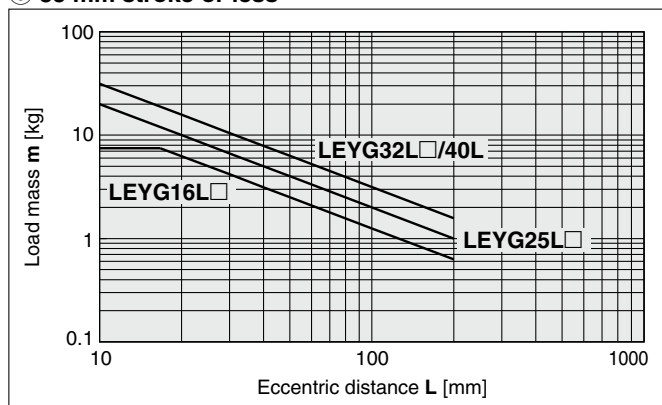
② Over 75 mm stroke



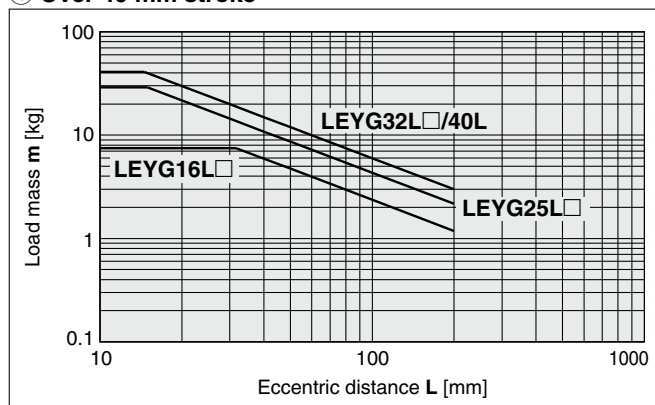
* The limit of vertical load mass varies depending on "lead" and "speed." Check the "Speed-Work Load Graph" on pages 111 to 113.

Vertical Mounting, Ball Bushing Bearing

③ 35 mm stroke or less



④ Over 40 mm stroke

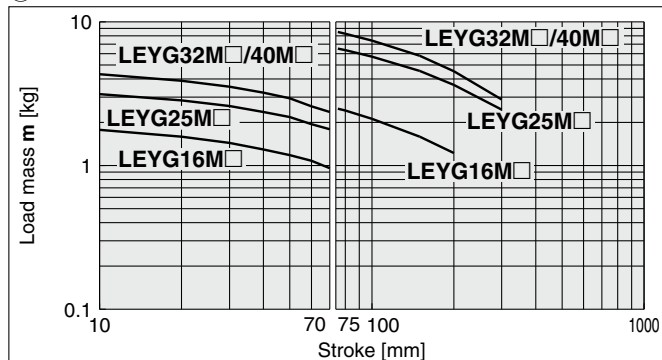


* The limit of vertical load mass varies depending on "lead" and "speed." Check the "Speed-Work Load Graph" on pages 111 to 113.

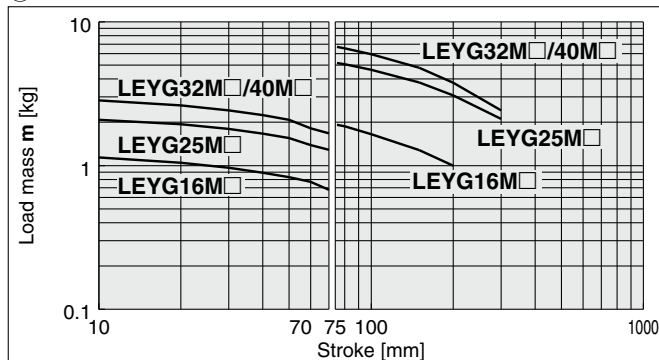
Moment Load Graph

Horizontal Mounting, Sliding Bearing

⑤ L = 50 mm



⑥ L = 100 mm



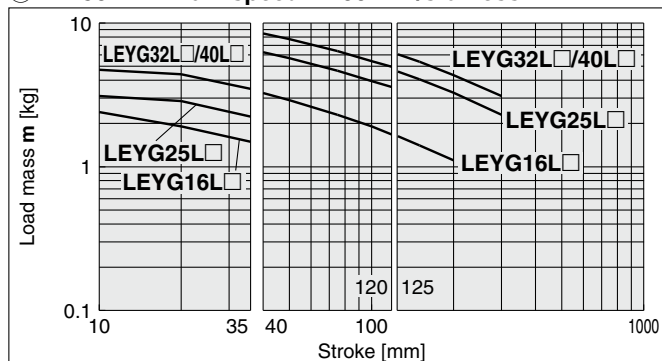
* Set the speed to less than or equal to the values shown below.

Motor type	LEYG□M□A	LEYG□M□B	LEYG□M□C
Step motor (Servo/24 VDC)	200 mm/s	125 mm/s	75 mm/s
Servo motor (24 VDC)	200 mm/s	200 mm/s	125 mm/s

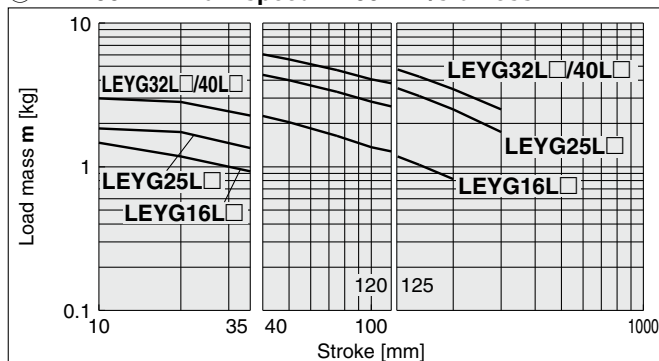
* For the specifications below, operate the system at the "load mass" shown in the graph x 80%.
 • LEYG25MAA/Servo motor (24 VDC), Lead 12

Horizontal Mounting, Ball Bushing Bearing

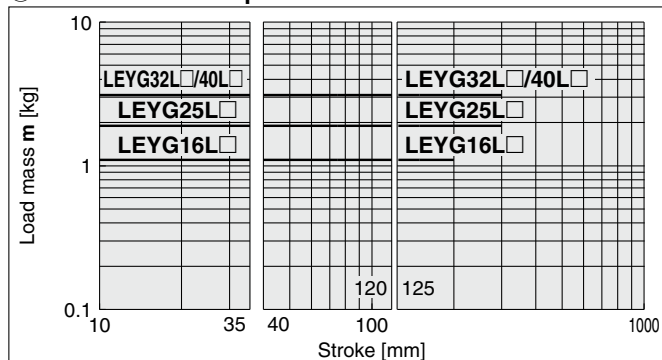
⑦ L = 50 mm Max. speed = 200 mm/s or less



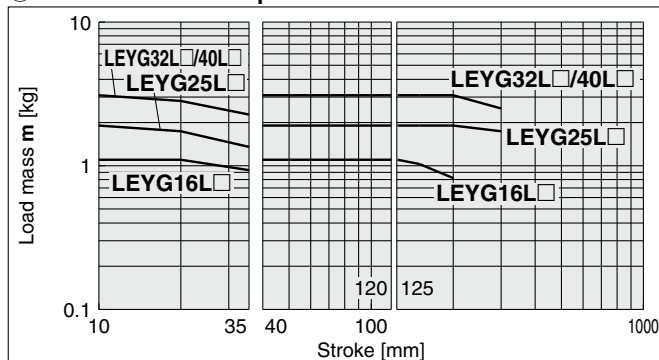
⑧ L = 100 mm Max. speed = 200 mm/s or less



⑨ L = 50 mm Max. speed = Over 200 mm/s

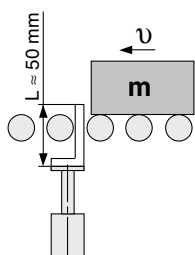


⑩ L = 100 mm Max. speed = Over 200 mm/s



Operating Range when Used as a Stopper

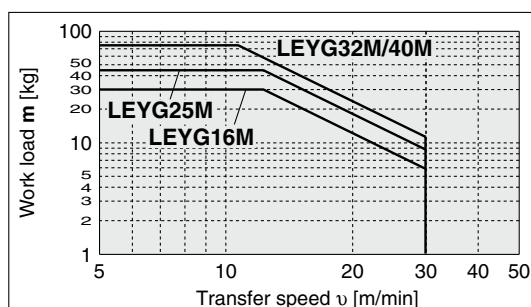
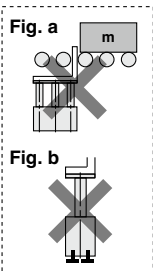
LEYG□M (Sliding bearing)



Caution

Handling Precautions

- * When used as a stopper, select a model with a stroke of 30 mm or less.
- * LEYG□L (ball bushing bearing) cannot be used as a stopper.
- * Workpiece collision in series with guide rod cannot be permitted (Fig. a).
- * The body should not be mounted on the end. It must be mounted on the top or bottom (Fig. b).



LEYG Series

Step Motor (Servo/24 VDC)

Servo Motor (24 VDC)

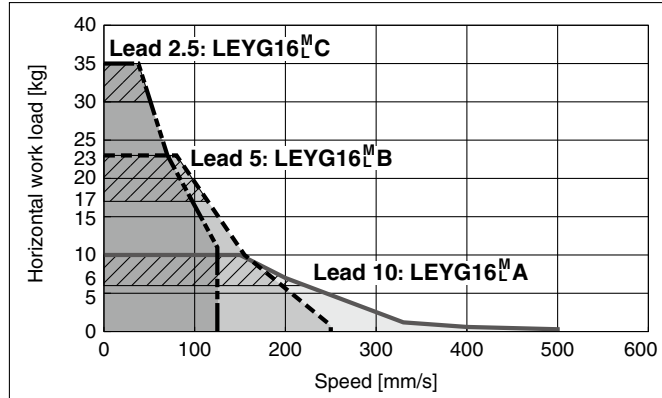
* These graphs show the work load when the external guide is used together. When using the LEYG alone, refer to pages 109 and 110.

Refer to page 112 for the LECPA, JXC□□ and page 113 for the LECA6.

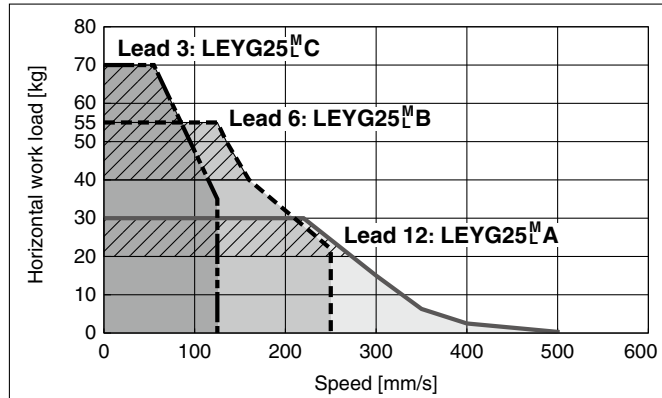
Speed-Work Load Graph (Guide) For Step Motor (Servo/24 VDC) JXC□1, LECP1

Horizontal

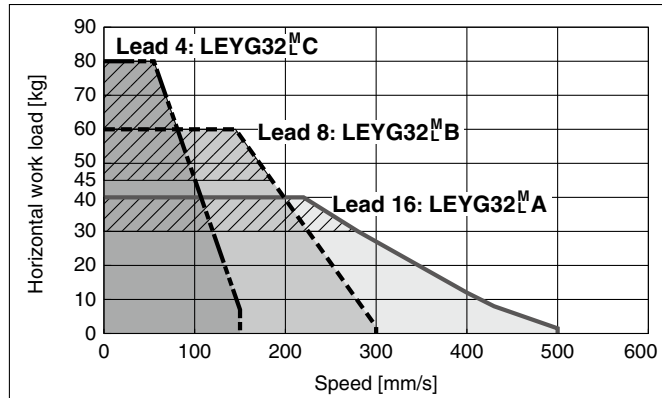
LEYG16^M_L□ □ for acceleration/deceleration: 2000 mm/s²



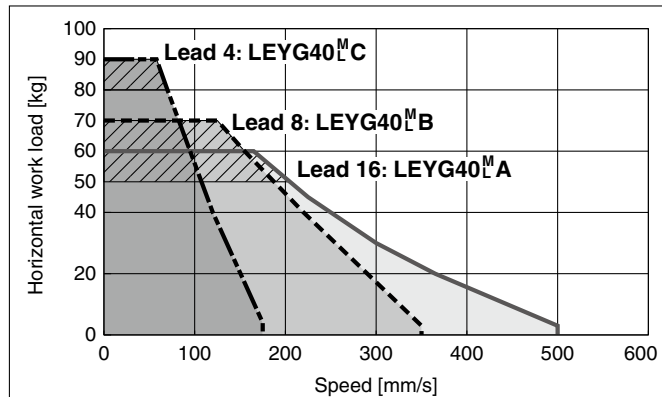
LEYG25^M_L□ □ for acceleration/deceleration: 2000 mm/s²



LEYG32^M_L□ □ for acceleration/deceleration: 2000 mm/s²

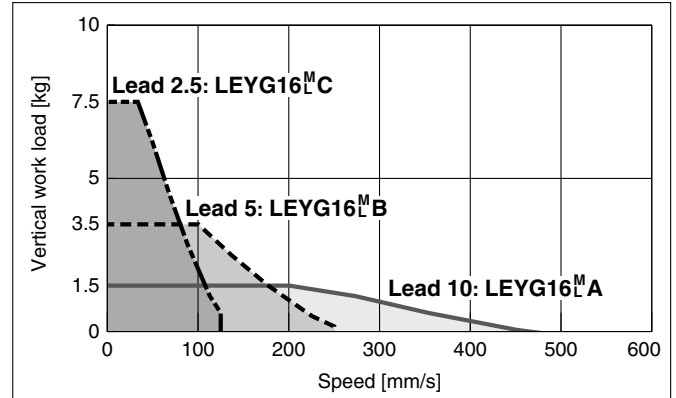


LEYG40^M_L□ □ for acceleration/deceleration: 2000 mm/s²

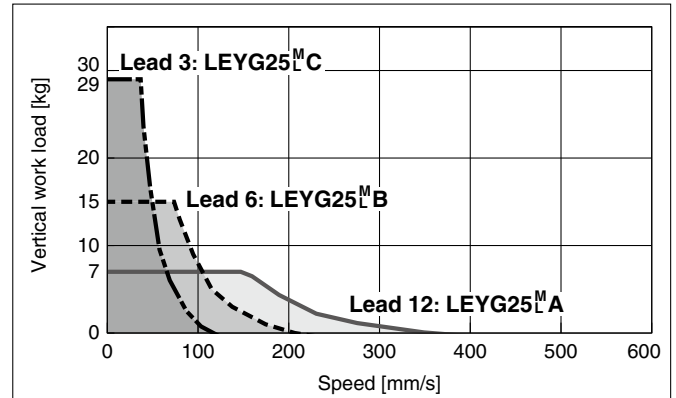


Vertical

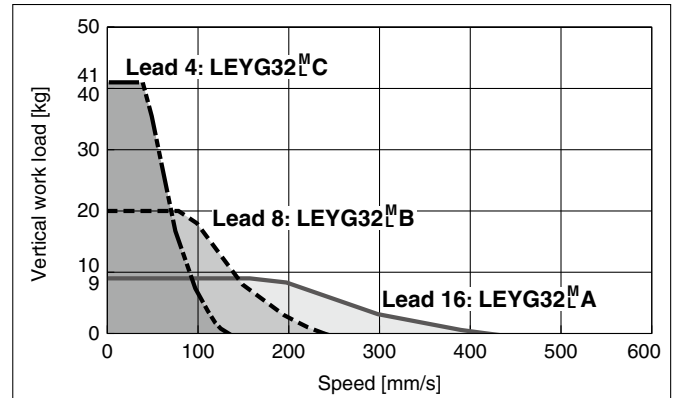
LEYG16^M_L□ □



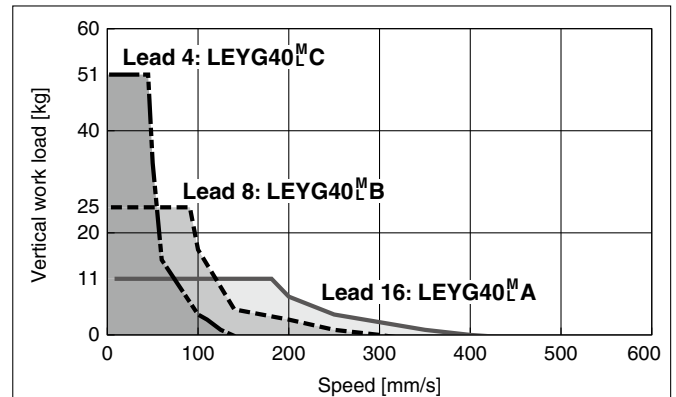
LEYG25^M_L□ □



LEYG32^M_L□ □



LEYG40^M_L□ □




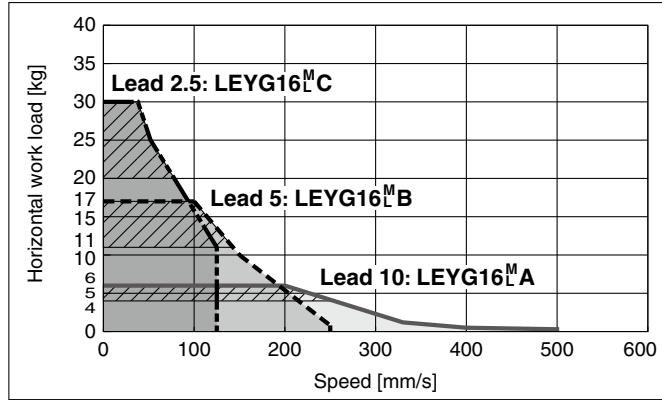
Refer to page 111 for the JXC□1, LECP1 and page 113 for the LECA6.


* These graphs show the work load when the external guide is used together. When using the LEYG alone, refer to pages 109 and 110.

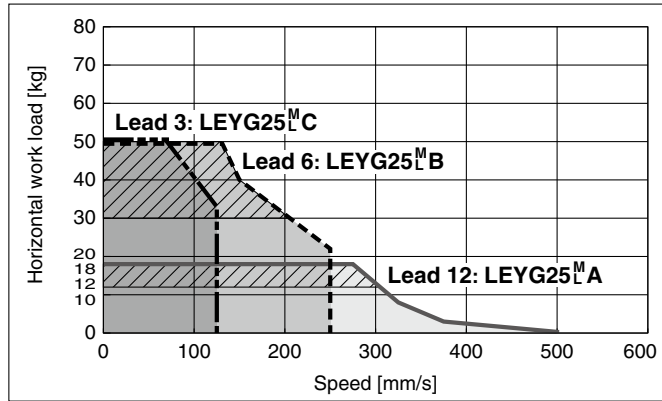
Speed-Work Load Graph (Guide) For Step Motor (Servo/24 VDC) LECPA, JXC□₂³


Horizontal

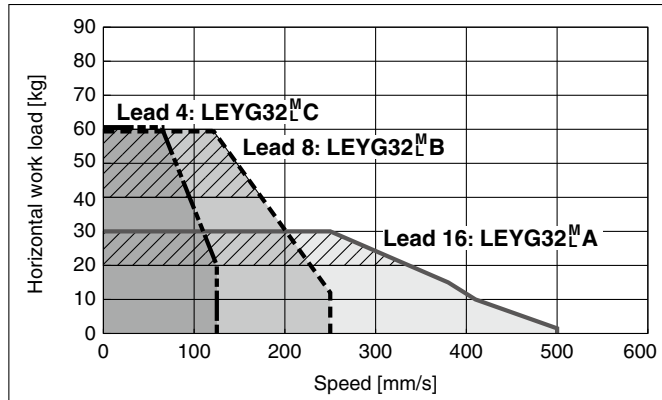
LEYG16^M_L□  for acceleration/deceleration: 2000 mm/s²



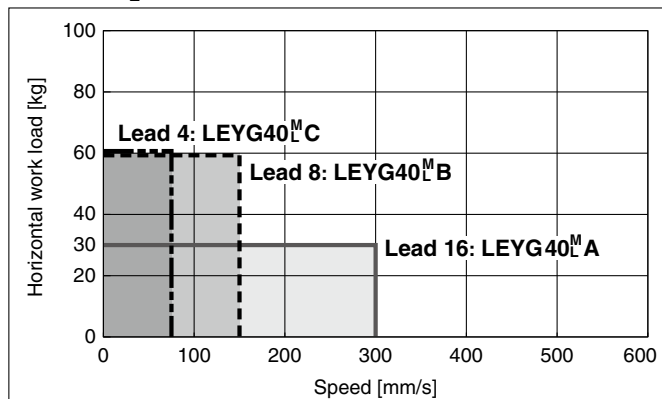
LEYG25^M_L□  for acceleration/deceleration: 2000 mm/s²



LEYG32^M_L□  for acceleration/deceleration: 2000 mm/s²

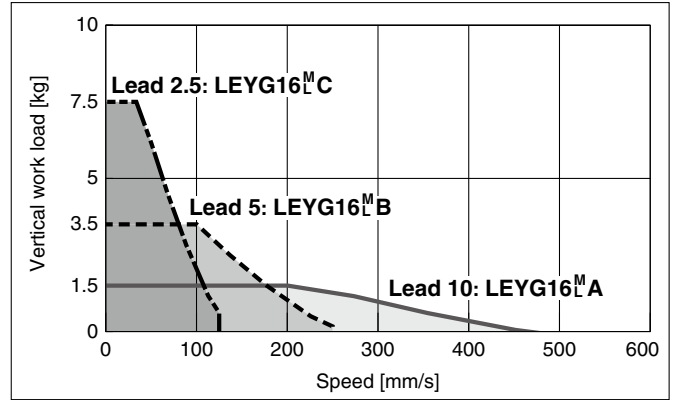


LEYG40^M_L□

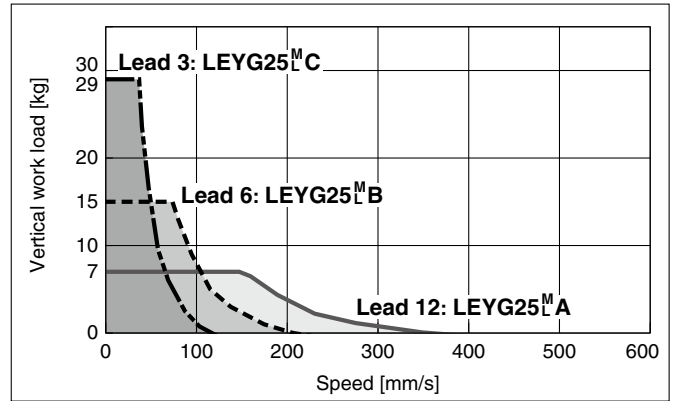


Vertical

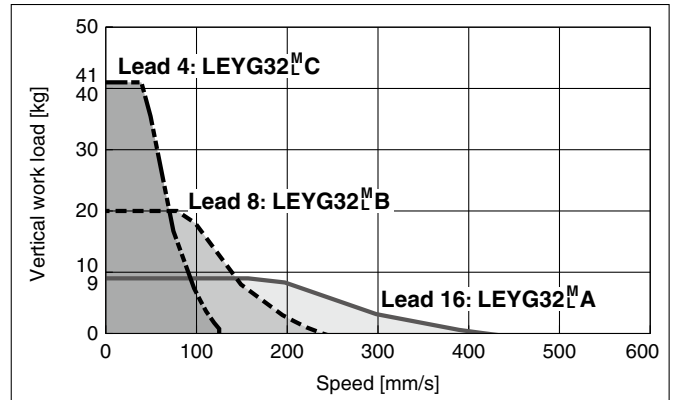
LEYG16^M_L□



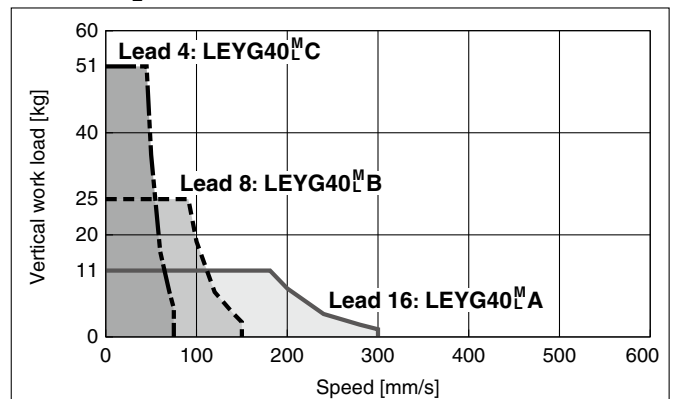
LEYG25^M_L□



LEYG32^M_L□



LEYG40^M_L□



Model Selection

LEYG

LEYG

LEYG

LEYG

LEYG

LEYG

LEYG-X7

LEYG-X5

25A-LEYG

JXC51/61

LECA6

LEC-G

LECP1

LECPA

JXC□

LECS□

LECY□

Specific Product Precautions

LEYG Series

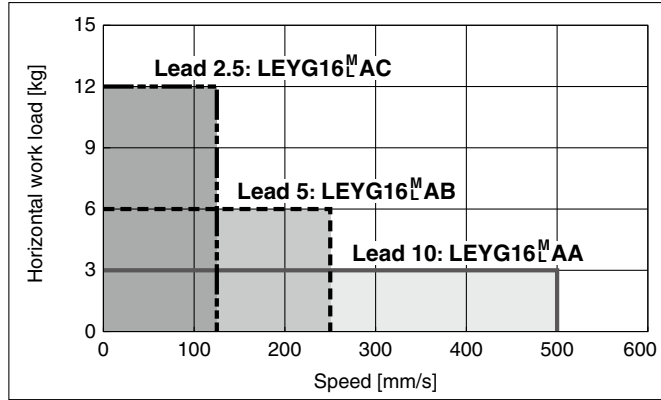
Step Motor (Servo/24 VDC) Servo Motor (24 VDC)

Refer to page 111 for the JXC□1, LECP1 and page 112 for the LECPA, JXC□2.

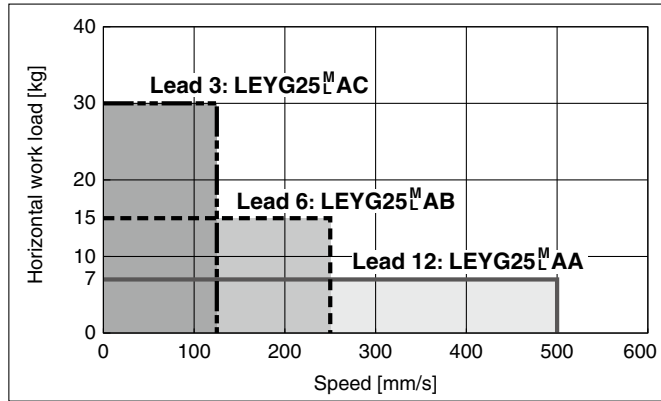
Speed-Work Load Graph (Guide) For Servo Motor (24 VDC) LECA6

Horizontal

LEYG16^M□A

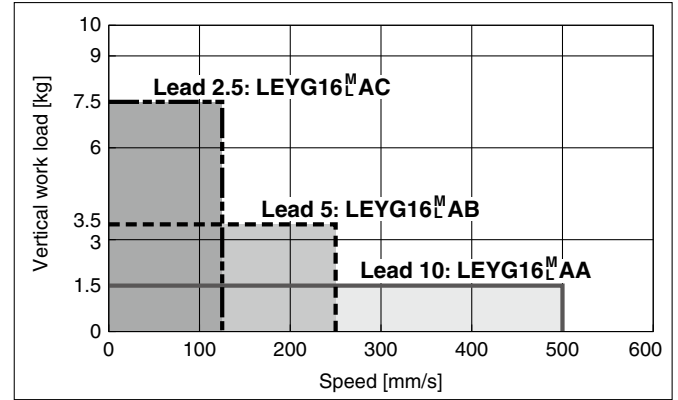


LEYG25^M□A

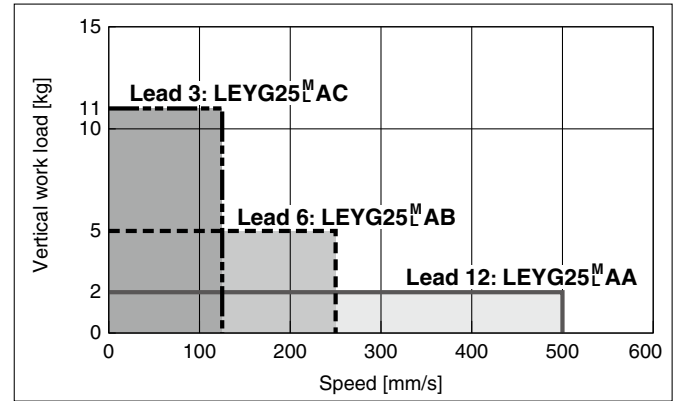


Vertical

LEYG16^M□A



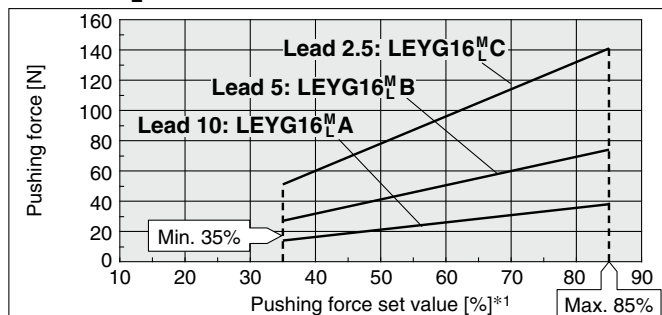
LEYG25^M□A



Force Conversion Graph (Guide)

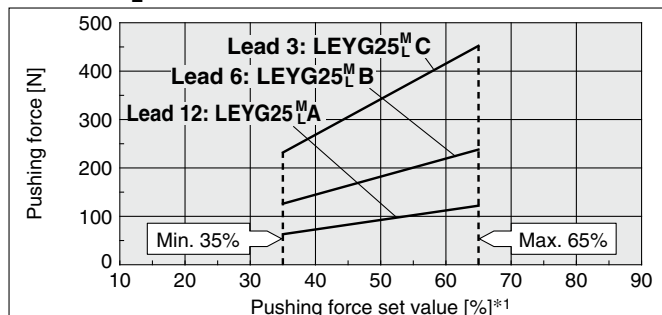
Step Motor (Servo/24 VDC)

LEYG16^M_L□



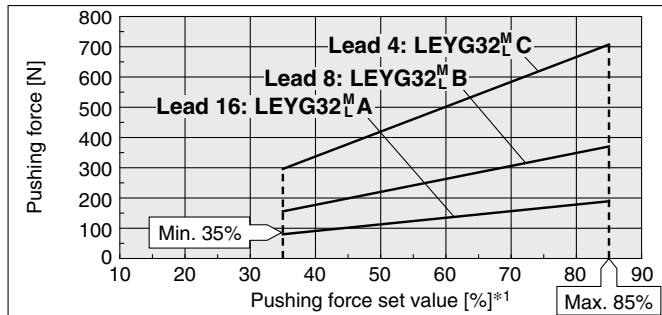
Ambient temperature	Pushing force set value [%]	Duty ratio [%]	Continuous pushing time [min]
25°C or less	85 or less	100	—
	40 or less	100	—
40°C	50	70	12 or less
	70	20	1.3 or less
	85	15	0.8 or less

LEYG25^M_L□



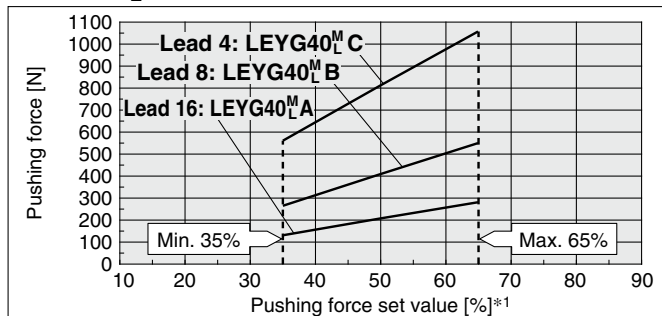
Ambient temperature	Pushing force set value [%]	Duty ratio [%]	Continuous pushing time [min]
40°C or less	65 or less	100	—

LEYG32^M_L□



Ambient temperature	Pushing force set value [%]	Duty ratio [%]	Continuous pushing time [min]
25°C or less	85 or less	100	—
	65 or less	100	—
40°C	85	50	15 or less

LEYG40^M_L□

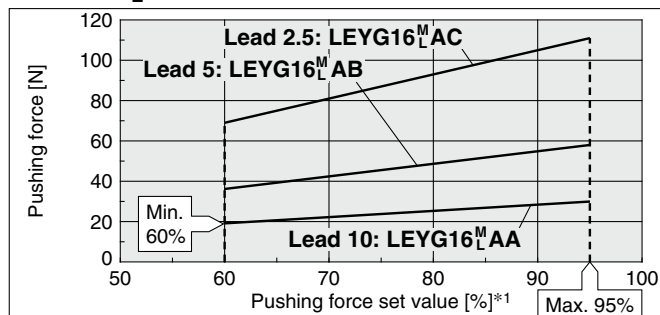


Ambient temperature	Pushing force set value [%]	Duty ratio [%]	Continuous pushing time [min]
40°C or less	65 or less	100	—

*1 Set values for the controller

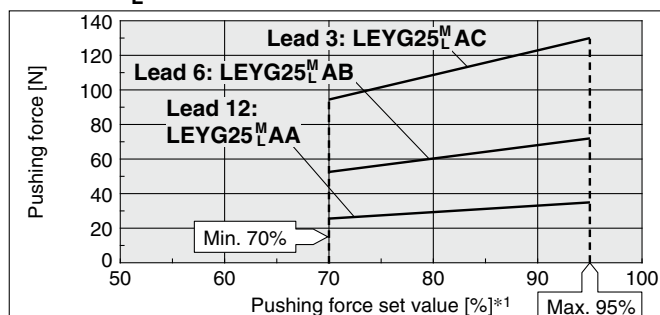
Servo Motor (24 VDC)

LEYG16^M_LA□



Ambient temperature	Pushing force set value [%]	Duty ratio [%]	Continuous pushing time [min]
40°C or less	95 or less	100	—

LEYG25^M_LA□



Ambient temperature	Pushing force set value [%]	Duty ratio [%]	Continuous pushing time [min]
40°C or less	95 or less	100	—

<Limit Values for Pushing Force and Trigger Level in Relation to Pushing Speed> Without Load

Model	Lead	Pushing speed [mm/s]	Pushing force (Setting input value)	Model	Lead	Pushing speed [mm/s]	Pushing force (Setting input value)
LEYG16 ^M _L □	A/B/C	21 to 50	60 to 85%	LEYG16 ^M _L A□	A/B/C	21 to 50	80 to 95%
LEYG25 ^M _L □	A/B/C	21 to 35	50 to 65%	LEYG25 ^M _L A□	A/B/C	21 to 35	80 to 95%
LEYG32 ^M _L □	A	24 to 30	60 to 85%				
	B/C	21 to 30					
LEYG40 ^M _L □	A	24 to 30	50 to 65%				
	B/C	21 to 30					

There is a limit to the pushing force in relation to the pushing speed. If the product is operated outside of the range (low pushing force), the completion signal [INP] may be output before the pushing operation has been completed (during the moving operation).
If operating with the pushing speed below the min. speed, please check for operating problems before using the product.

<Set Values for Vertical Upward Transfer Pushing Operations>

For vertical loads (upward), set the pushing force to the max. value shown below and operate at the work load or less.

Model	LEYG16 ^M _L □	LEYG25 ^M _L □	LEYG32 ^M _L □	LEYG40 ^M _L □	LEYG16 ^M _L A□	LEYG25 ^M _L A□
Lead	A B C	A B C	A B C	A B C	A B C	A B C
Work load [kg]	0.5 1 2.5	1.5 4 9	2.5 7 16	5 12 26	0.5 1 2.5	0.5 1.5 4
Pushing force	85%		65%		85%	
	85%		65%		95%	

Model Selection



LEYG Series ▶ p. 139

LECY□ Series ▶ p. 147

Moment Load Graph

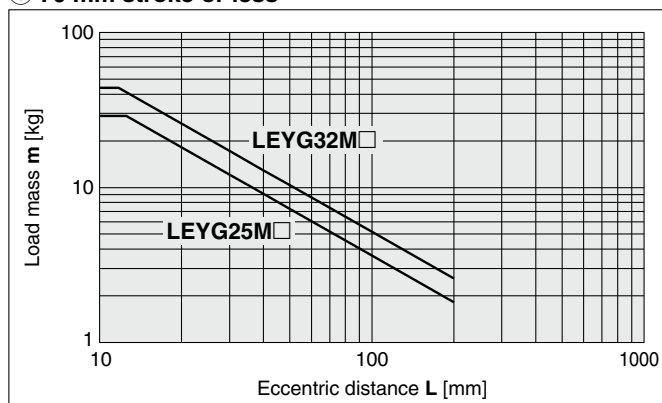
Selection conditions

Mounting position		Vertical		Horizontal	
Max. speed [mm/s]		"Speed-Vertical Work Load Graph"		200 or less	Over 200
Bearing	Sliding bearing	Graphs ①, ②		Graphs ⑤, ⑥*1	Graphs ⑦, ⑧
	Ball bushing bearing	Graphs ③, ④		Graphs ⑨, ⑩	Graphs ⑪, ⑫

*1 For the sliding bearing type, the speed is restricted with a horizontal/moment load.

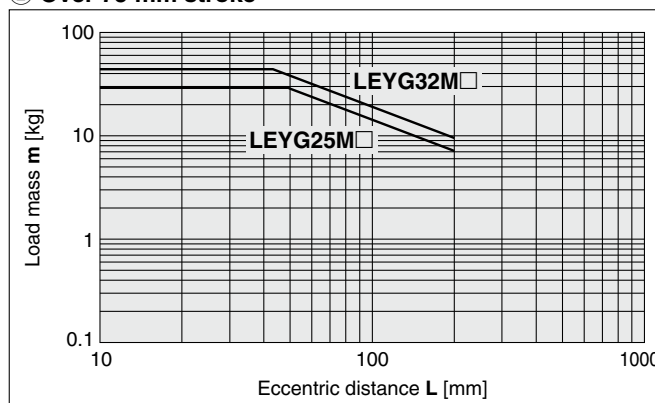
Vertical Mounting, Sliding Bearing

① 70 mm stroke or less



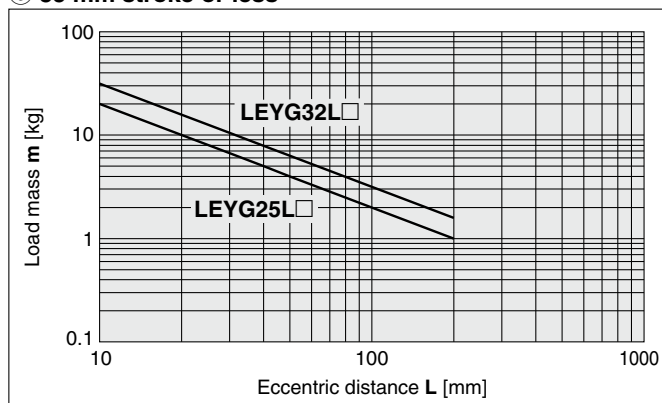
* The limit of vertical load mass varies depending on "lead" and "speed."
 Check the "Speed-Vertical Work Load Graph" on page 117.

② Over 75 mm stroke



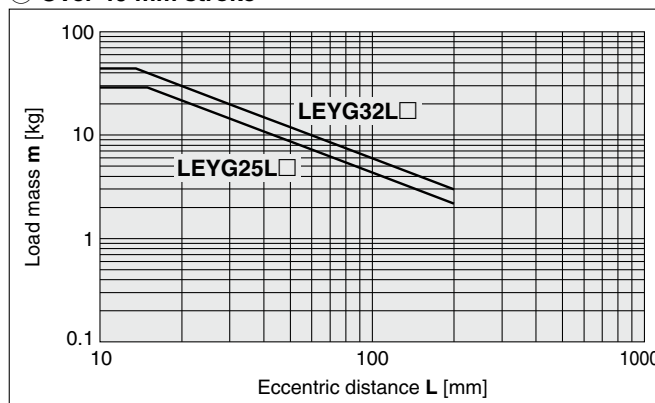
Vertical Mounting, Ball Bushing Bearing

③ 35 mm stroke or less



* The limit of vertical load mass varies depending on "lead" and "speed."
 Check the "Speed-Vertical Work Load Graph" on page 117.

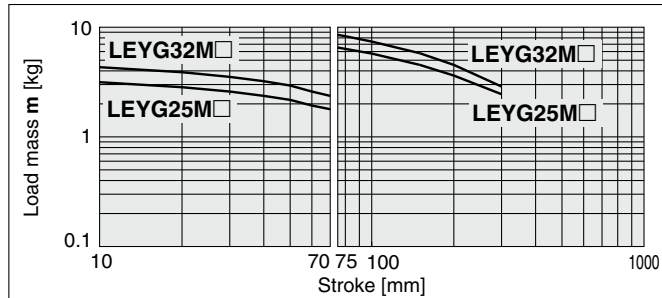
④ Over 40 mm stroke



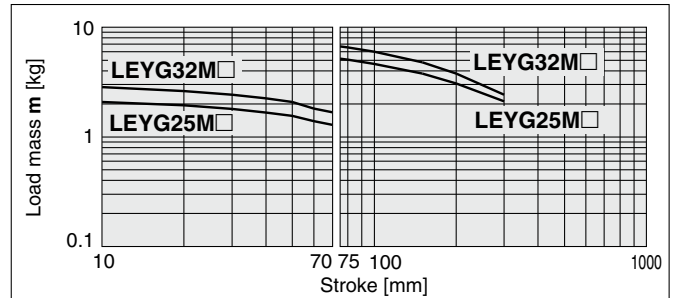
Moment Load Graph

Horizontal Mounting, Sliding Bearing

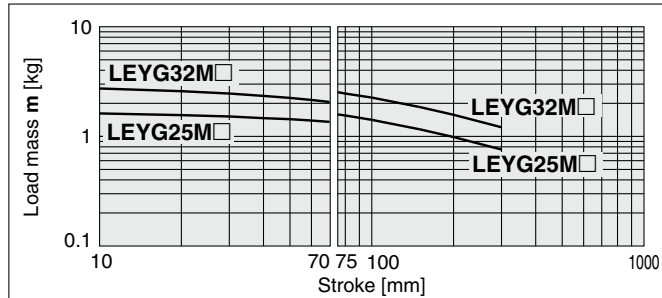
⑤ L = 50 mm Max. speed = 200 mm/s or less



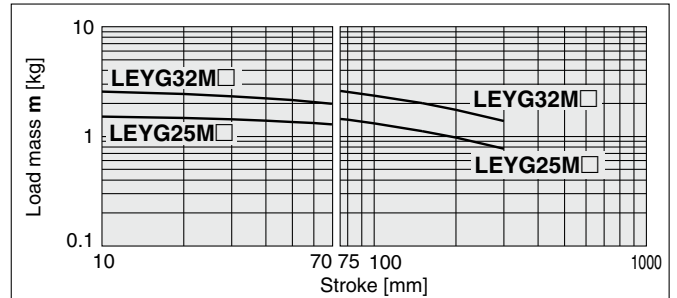
⑥ L = 100 mm Max. speed = 200 mm/s or less



⑦ L = 50 mm Max. speed = Over 200 mm/s

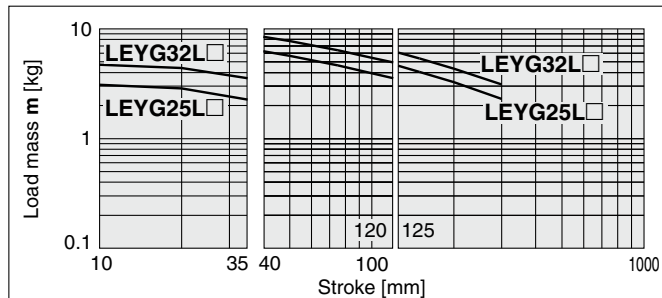


⑧ L = 100 mm Max. speed = Over 200 mm/s

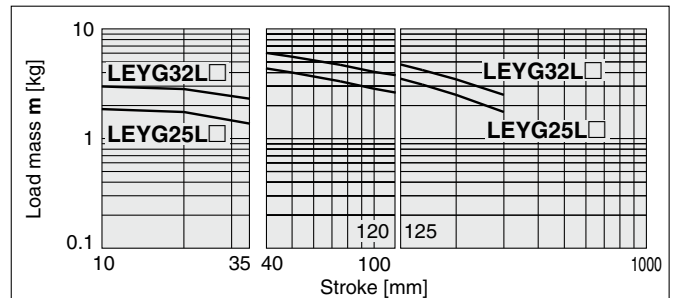


Horizontal Mounting, Ball Bushing Bearing

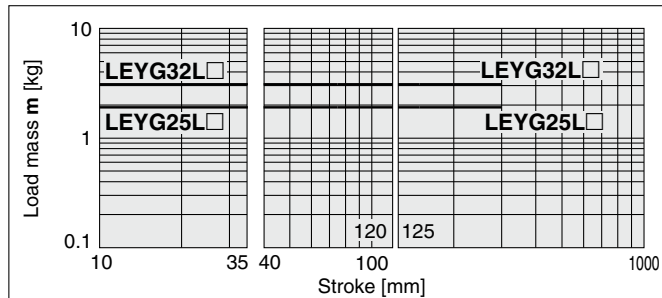
⑨ L = 50 mm Max. speed = 200 mm/s or less



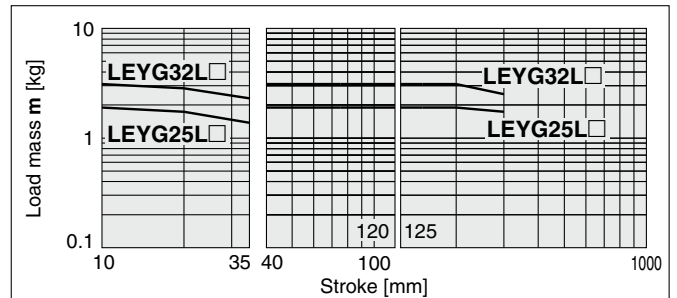
⑩ L = 100 mm Max. speed = 200 mm/s or less



⑪ L = 50 mm Max. speed = Over 200 mm/s

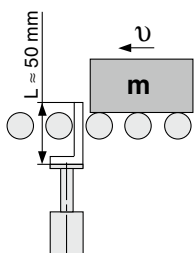


⑫ L = 100 mm Max. speed = Over 200 mm/s



Operating Range when Used as a Stopper

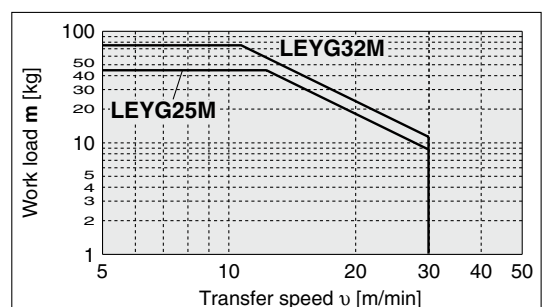
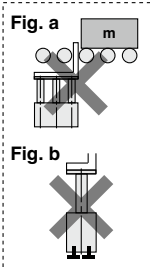
LEYG□M (Sliding bearing)



Caution

Handling Precautions

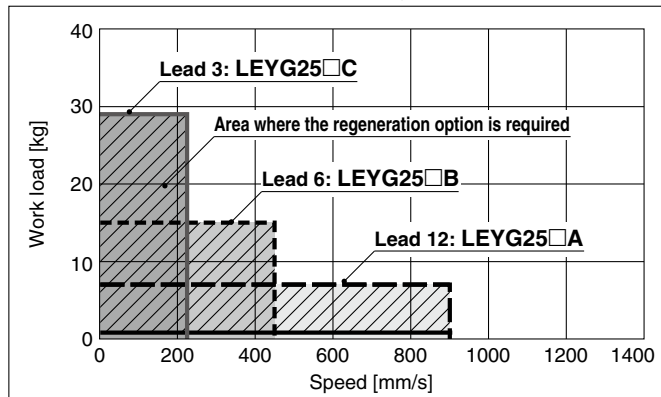
- * When used as a stopper, select a model with a stroke of 30 mm or less.
- * LEYG□L (ball bushing bearing) cannot be used as a stopper.
- * Workpiece collision in series with guide rod cannot be permitted (Fig. a).
- * The body should not be mounted on the end. It must be mounted on the top or bottom (Fig. b).



Speed-Vertical Work Load Graph/Required Conditions for the Regeneration Option

* These graphs show the work load when the external guide is used together. When using the LEYG alone, refer to pages 115 and 116.

LEYG25□S₆/T6 (Motor mounting position: Parallel/In-line)



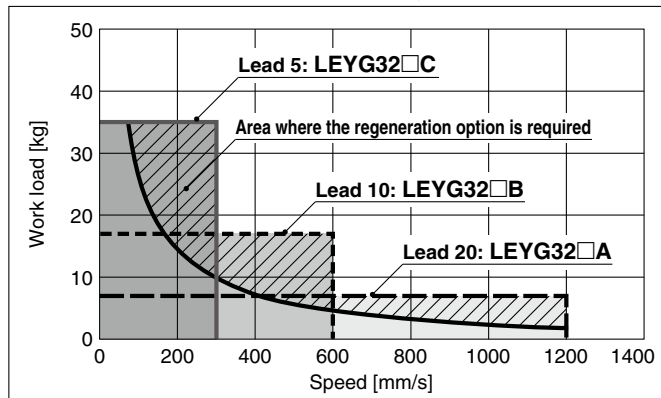
Required conditions for the regeneration option

* The regeneration option is required when using the product above the regeneration line in the graph. (It must be ordered separately.)

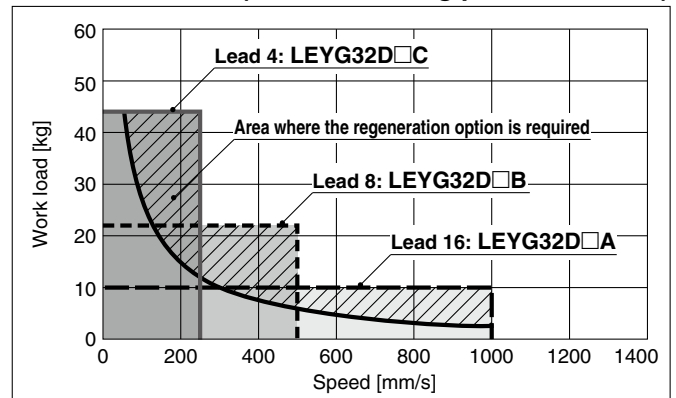
Regeneration Option Models

Size	Model
LEYG25□	LEC-MR-RB-032
LEYG32□	LEC-MR-RB-032

LEYG32S₇/T7 (Motor mounting position: Parallel)



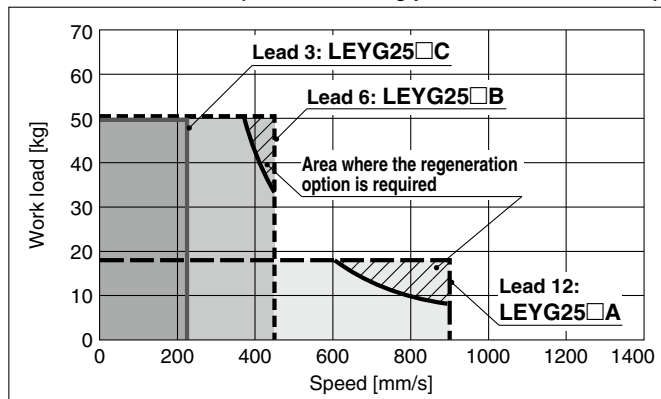
LEYG32DS₇/T7 (Motor mounting position: In-line)



Speed-Horizontal Work Load Graph/Required Conditions for the Regeneration Option

* These graphs show the work load when the external guide is used together. When using the LEYG alone, refer to pages 115 and 116.

LEYG25□S₆/T6 (Motor mounting position: Parallel/In-line)



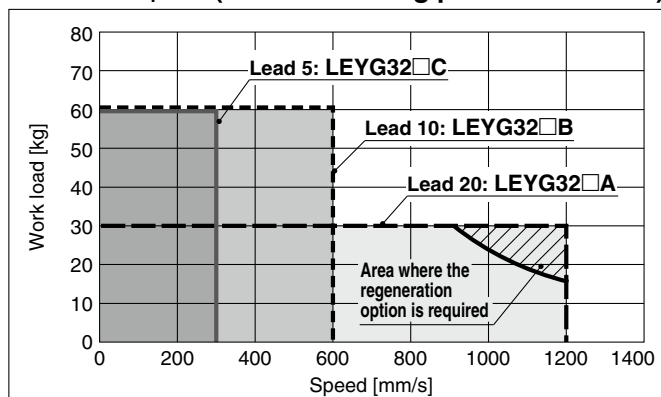
Required conditions for the regeneration option

* The regeneration option is required when using the product above the regeneration line in the graph. (It must be ordered separately.)

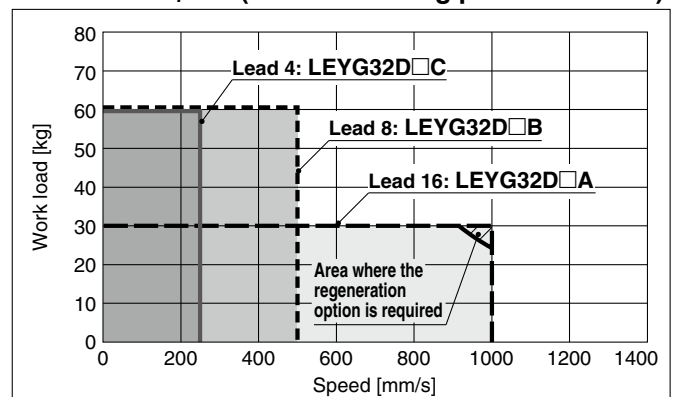
Regeneration Option Models

Size	Model
LEYG25□	LEC-MR-RB-032
LEYG32□	LEC-MR-RB-032

LEYG32S₇/T7 (Motor mounting position: Parallel)

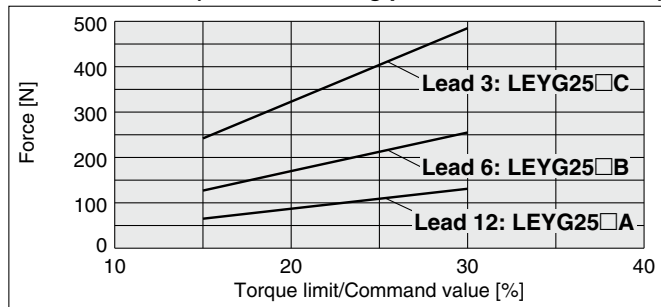


LEYG32DS₇/T7 (Motor mounting position: In-line)



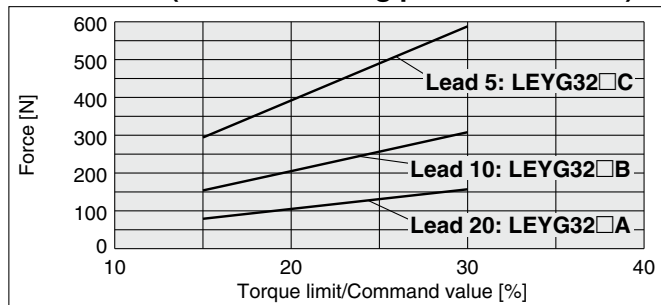
Force Conversion Graph: LECSA, LECSB, LECS, LECS

LEYG25□S₆² (Motor mounting position: Parallel/In-line)



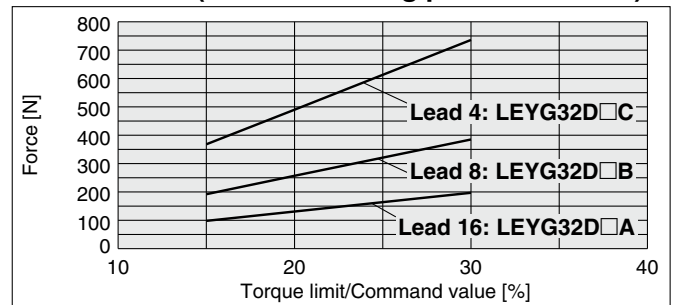
Torque limit/Command value [%]	Duty ratio [%]	Continuous pushing time [min]
25 or less	100	—
30	60	1.5 or less

LEYG32S₇³ (Motor mounting position: Parallel)



Torque limit/Command value [%]	Duty ratio [%]	Continuous pushing time [min]
25 or less	100	—
30	60	1.5 or less

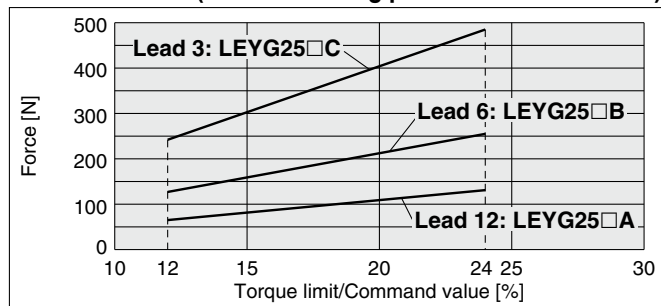
LEYG32DS₇³ (Motor mounting position: In-line)



Torque limit/Command value [%]	Duty ratio [%]	Continuous pushing time [min]
25 or less	100	—
30	60	1.5 or less

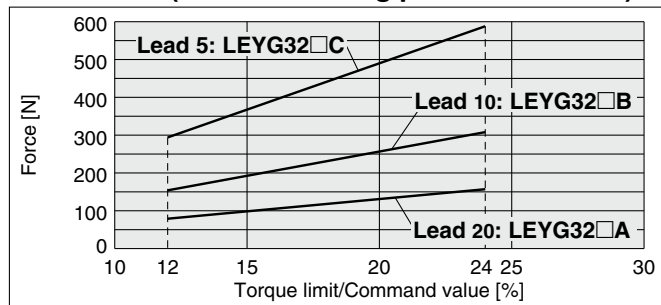
Force Conversion Graph: LECS-T

LEYG25□T₆ (Motor mounting position: Parallel/In-line)



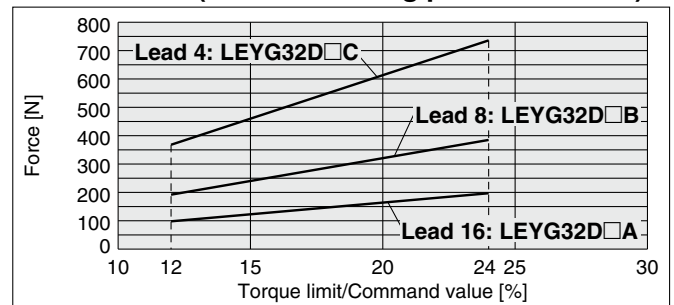
Torque limit/Command value [%]	Duty ratio [%]	Continuous pushing time [min]
20 or less	100	—
24	60	1.5 or less

LEYG32T₇ (Motor mounting position: Parallel)



Torque limit/Command value [%]	Duty ratio [%]	Continuous pushing time [min]
20 or less	100	—
24	60	1.5 or less

LEYG32DT₇ (Motor mounting position: In-line)



Torque limit/Command value [%]	Duty ratio [%]	Continuous pushing time [min]
20 or less	100	—
24	60	1.5 or less

Model Selection

Step Motor (Servo/24 VDC)/Servo Motor (24 VDC)
LEYG

AC Servo Motor
LEYG

Environment
LEYG-X7
LEYG-X5
25A-LEYG

Step Motor (Servo/24 VDC)/Servo Motor (24 VDC)
JXC51/61
LECA6
LECG
LECP1

AC Servo Motor
LECY□
LECS□
JXC□

Specific Product Precautions

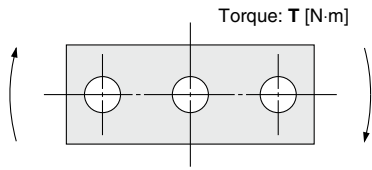
LEYG Series

Step Motor (Servo/24 VDC)

Servo Motor (24 VDC)

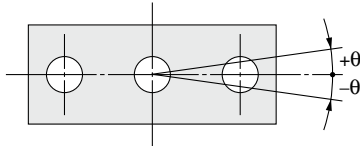
AC Servo Motor

Allowable Rotational Torque of Plate



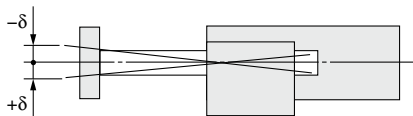
Model	Stroke [mm]					T [N-m]
	30	50	100	200	300	
LEYG16M	0.70	0.57	1.05	0.56	—	
LEYG16L	0.82	1.48	0.97	0.57	—	
LEYG25M	1.56	1.29	3.50	2.18	1.36	
LEYG25L	1.52	3.57	2.47	2.05	1.44	
LEYG32M	2.55	2.09	5.39	3.26	1.88	
LEYG32L	2.80	5.76	4.05	3.23	2.32	
LEYG40M	2.55	2.09	5.39	3.26	1.88	
LEYG40L	2.80	5.76	4.05	3.23	2.32	

Non-rotating Accuracy of Plate



Size	Non-rotating accuracy θ	
	LEYG□M	LEYG□L
16	0.06°	0.05°
25		0.04°
32	0.05°	
40		

Plate Displacement: δ



Model	Stroke [mm]					[mm]
	30	50	100	200	300	
LEYG16M	±0.20	±0.25	±0.24	±0.27	—	
LEYG16L	±0.13	±0.12	±0.17	±0.19	—	
LEYG25M	±0.26	±0.31	±0.25	±0.38	±0.36	
LEYG25L	±0.13	±0.13	±0.17	±0.20	±0.23	
LEYG32M	±0.23	±0.29	±0.23	±0.36	±0.34	
LEYG32L	±0.11	±0.11	±0.15	±0.19	±0.22	
LEYG40M	±0.23	±0.29	±0.23	±0.36	±0.34	
LEYG40L	±0.11	±0.11	±0.15	±0.19	±0.22	

* The values without a load are shown.

Model Selection



LEYG Series ▶ p. 147

LECS Series ▶ p. 139

Moment Load Graph

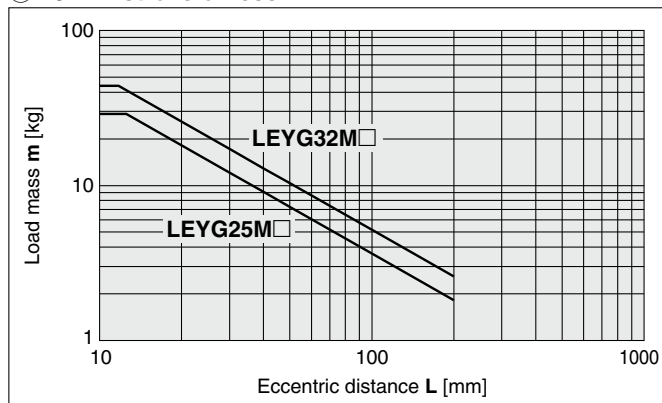
Selection conditions

Mounting position		Vertical		Horizontal	
Max. speed [mm/s]		"Speed-Work Load Graph"		200 or less	Over 200
Bearing	Sliding bearing	Graphs ①, ②		Graphs ⑤, ⑥*1	Graphs ⑦, ⑧
	Ball bushing bearing	Graphs ③, ④		Graphs ⑨, ⑩	Graphs ⑪, ⑫

*1 For the sliding bearing type, the speed is restricted with a horizontal/moment load.

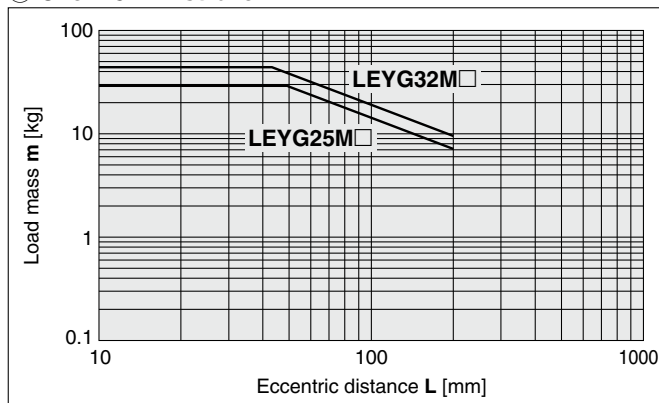
Vertical Mounting, Sliding Bearing

① 70 mm stroke or less



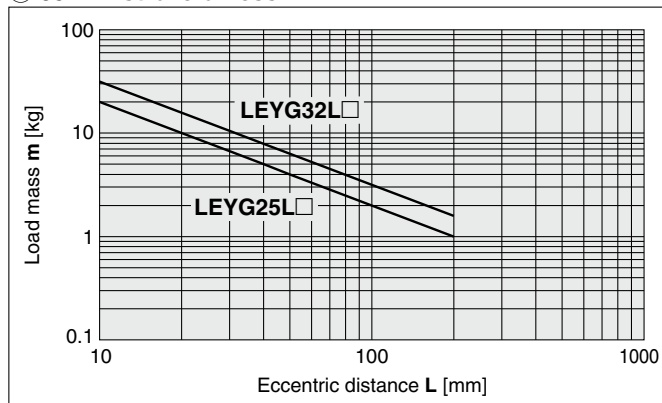
* The limit of vertical load mass varies depending on "lead" and "speed."
 Check the "Speed-Work Load Graph" on page 122.

② Over 75 mm stroke



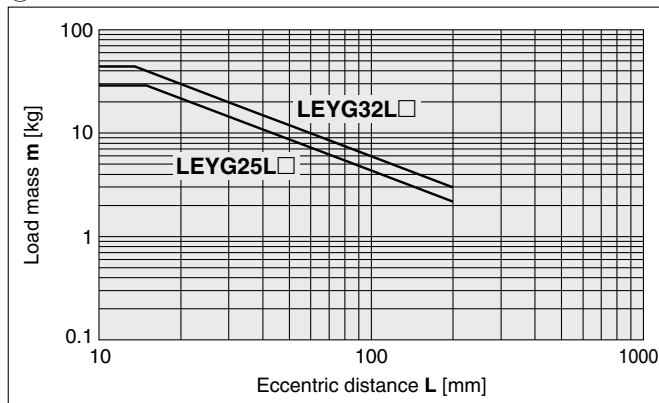
Vertical Mounting, Ball Bushing Bearing

③ 35 mm stroke or less



* The limit of vertical load mass varies depending on "lead" and "speed."
 Check the "Speed-Work Load Graph" on page 122.

④ Over 40 mm stroke

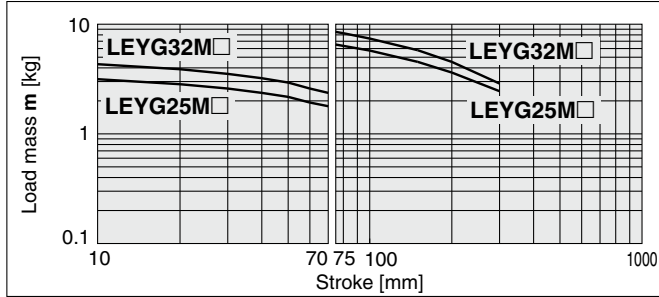


Model Selection	LEYG
Step Motor (Servo/24 VDC)/Servo Motor (24 VDC)	LEYG
AC Servo Motor	LEYG
Environment	LEYG-X7 LEYG-X5 25A-LEYG
Step Motor (Servo/24 VDC)/Servo Motor (24 VDC)	JXC51/61 LECA6 LEC-G
AC Servo Motor	JXC LECY LECS
Specific Product Precautions	

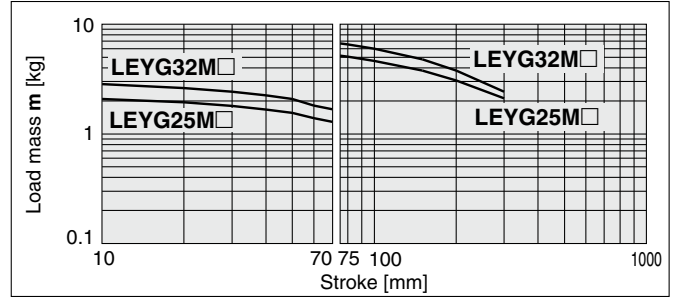
Moment Load Graph

Horizontal Mounting, Sliding Bearing

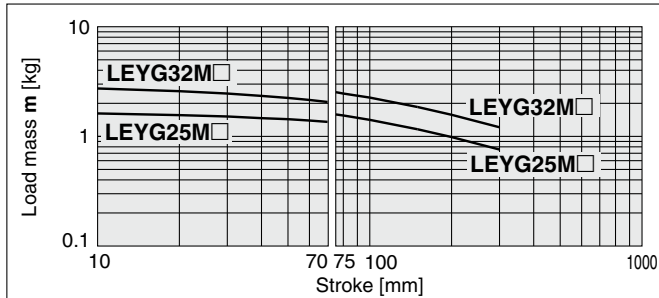
⑤ L = 50 mm Max. speed = 200 mm/s or less



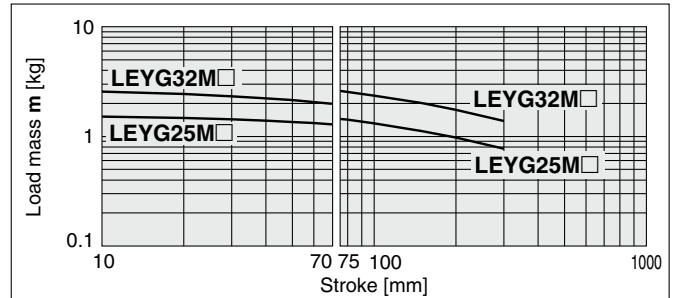
⑥ L = 100 mm Max. speed = 200 mm/s or less



⑦ L = 50 mm Max. speed = Over 200 mm/s

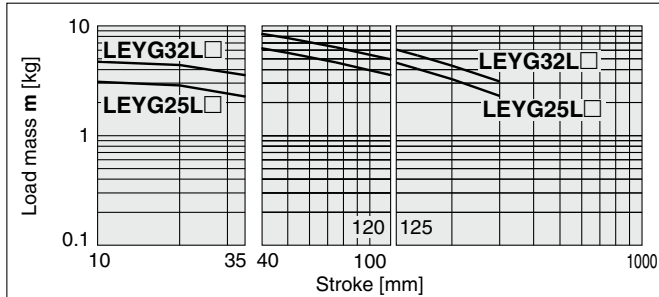


⑧ L = 100 mm Max. speed = Over 200 mm/s

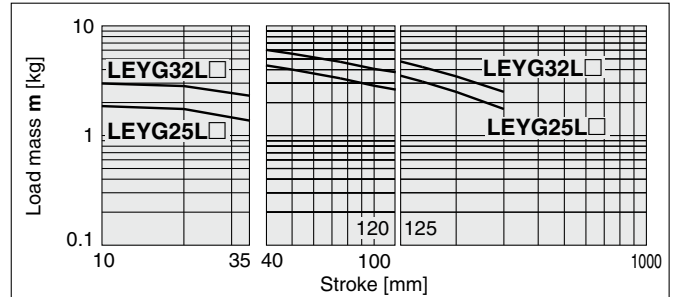


Horizontal Mounting, Ball Bushing Bearing

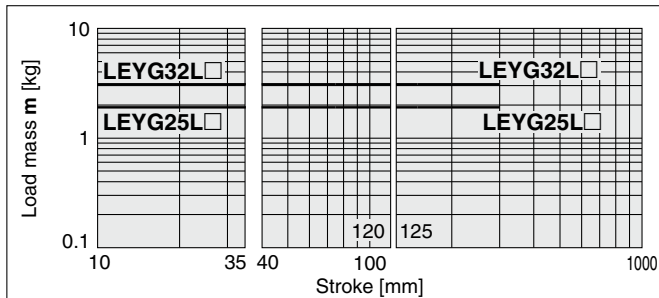
⑨ L = 50 mm Max. speed = 200 mm/s or less



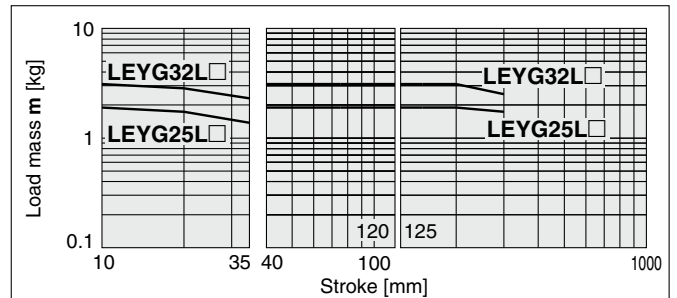
⑩ L = 100 mm Max. speed = 200 mm/s or less



⑪ L = 50 mm Max. speed = Over 200 mm/s

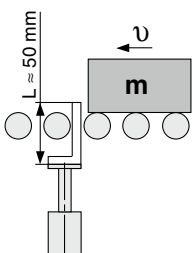


⑫ L = 100 mm Max. speed = Over 200 mm/s



Operating Range when Used as a Stopper

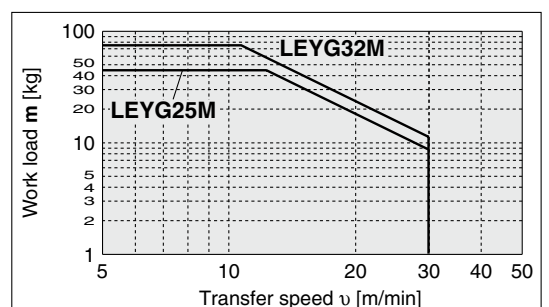
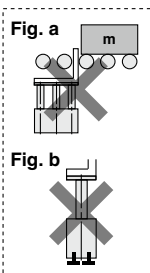
LEYG□M (Sliding bearing)



⚠ Caution

Handling Precautions

- * When used as a stopper, select a model with a stroke of 30 mm or less.
- * LEYG□L (ball bushing bearing) cannot be used as a stopper.
- * Workpiece collision in series with guide rod cannot be permitted (Fig. a).
- * The body should not be mounted on the end. It must be mounted on the top or bottom (Fig. b).

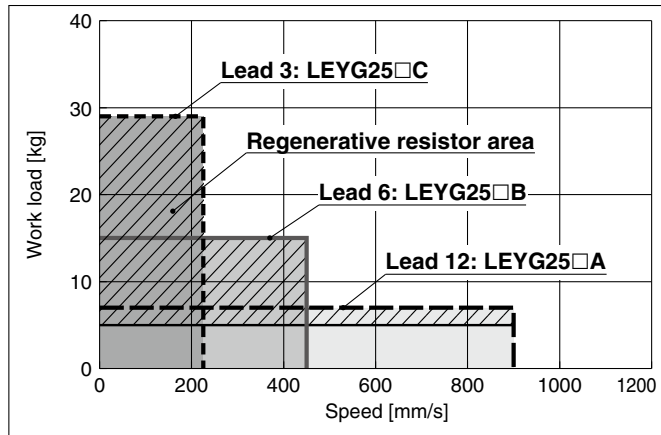


* These graphs show the work load when the external guide is used together. When using the LEYG alone, refer to pages 120 and 121.

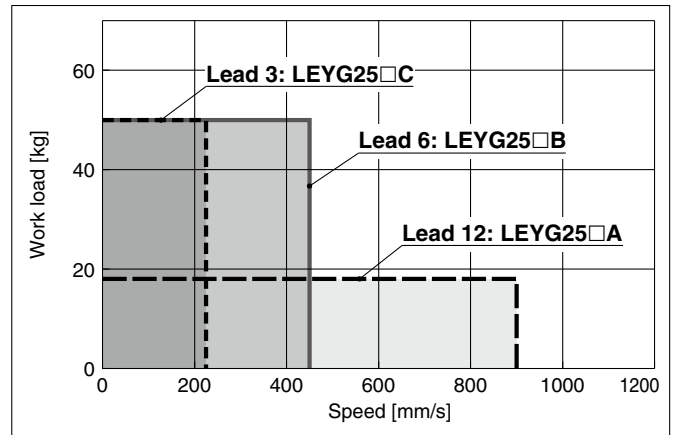
Speed-Work Load Graph/Required Conditions for the Regenerative Resistor (Guide)

LEYG25□V6 (Motor mounting position: Parallel/In-line)

Vertical

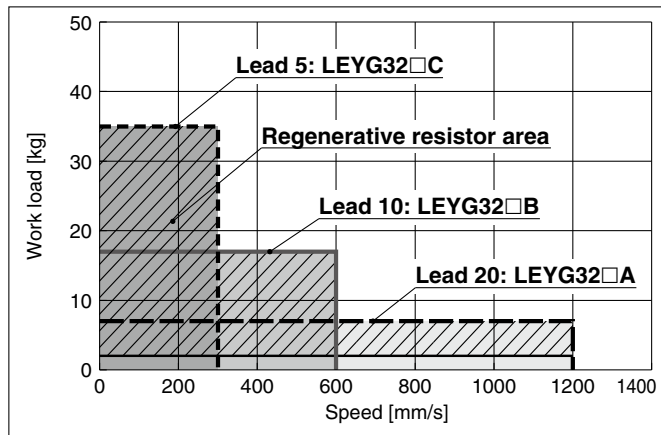


Horizontal

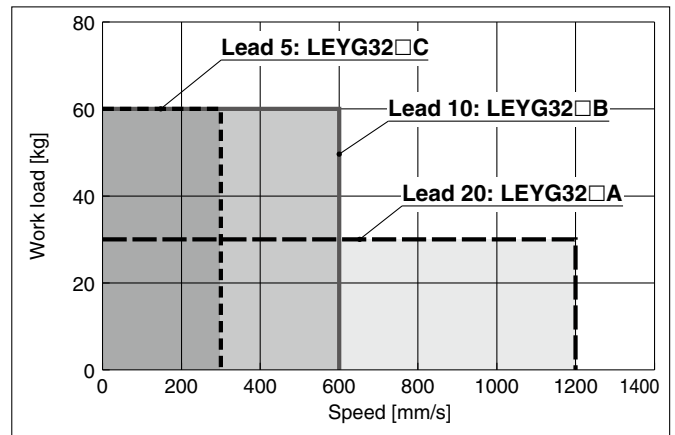


LEYG32V7 (Motor mounting position: Parallel)

Vertical

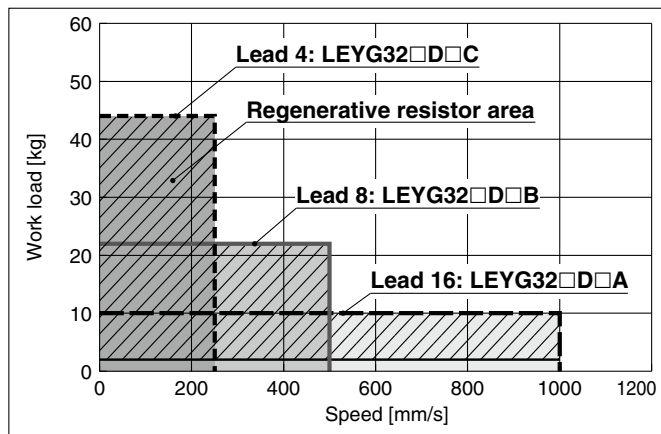


Horizontal

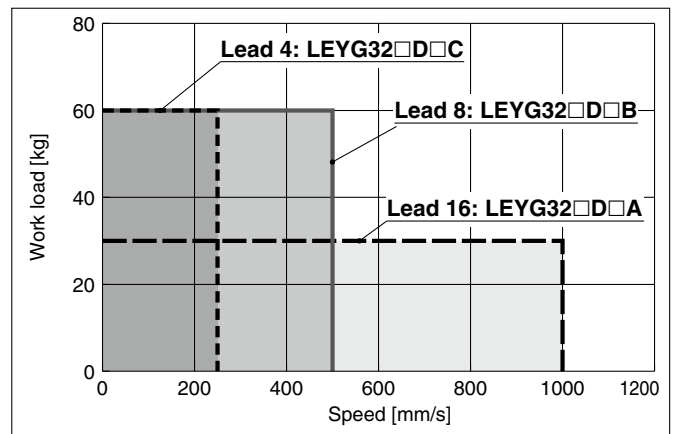


LEYG32DV7 (Motor mounting position: In-line)

Vertical



Horizontal



Regenerative resistor area

* When using the actuator in the regenerative resistor area, download the "AC servo drive capacity selection program/SigmaJunmaSize+" from the SMC website. Then, calculate the necessary regenerative resistor capacity to prepare an appropriate external regenerative resistor.

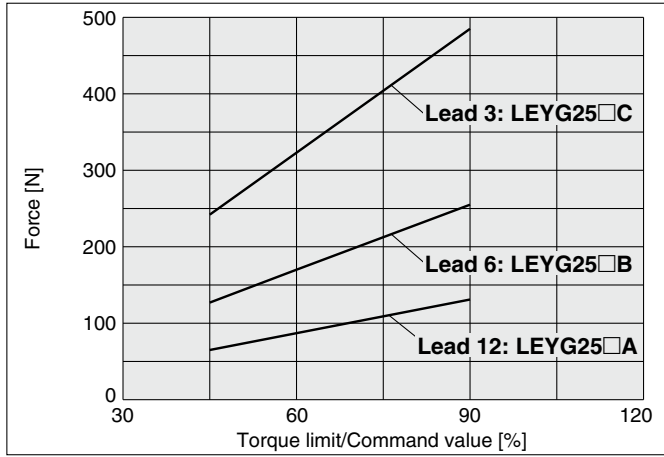
* The regenerative resistor should be provided by the customer.

Applicable Motors/Drivers

Model	Applicable model	
	Motor	Servopack (SMC driver)
LEYG25□	SGMJV-01A3A	SGDV-R90A11□ (LECYM2-V5) SGDV-R90A21□ (LECYU2-V5)
LEYG32□	SGMJV-02A3A	SGDV-1R6A11□ (LECYM2-V7) SGDV-1R6A21□ (LECYU2-V7)

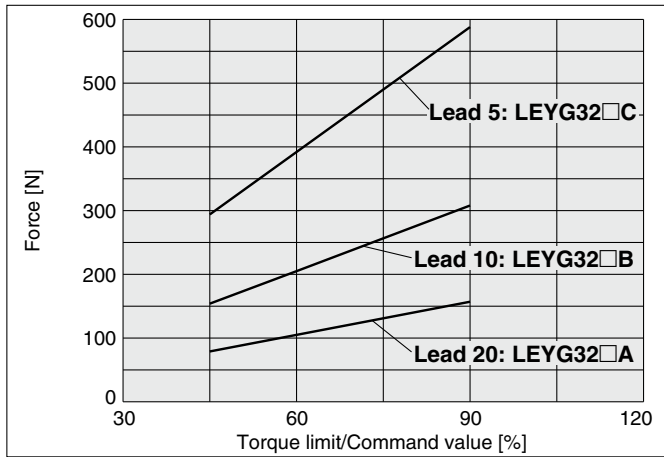
Force Conversion Graph

LEYG25□V6 (Motor mounting position: Parallel/In-line)



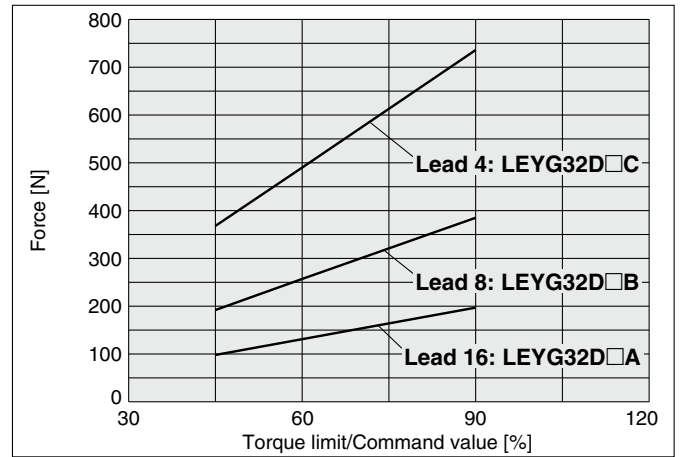
Torque limit/Command value [%]	Duty ratio [%]	Continuous pushing time [min]
75 or less	100	—
90	60	1.5 or less

LEYG32□V7 (Motor mounting position: Parallel)



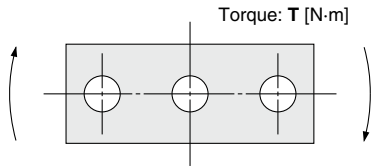
Torque limit/Command value [%]	Duty ratio [%]	Continuous pushing time [min]
75 or less	100	—
90	60	1.5 or less

LEYG32DV7 (Motor mounting position: In-line)



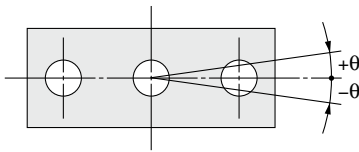
Torque limit/Command value [%]	Duty ratio [%]	Continuous pushing time [min]
75 or less	100	—
90	60	1.5 or less

Allowable Rotational Torque of Plate: T



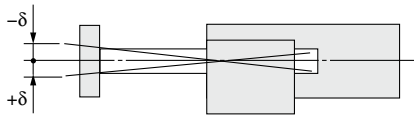
Model	Stroke [mm]					T [N·m]
	30	50	100	200	300	
LEYG25M	1.56	1.29	3.50	2.18	1.36	
LEYG25L	1.52	3.57	2.47	2.05	1.44	
LEYG32M	2.55	2.09	5.39	3.26	1.88	
LEYG32L	2.80	5.76	4.05	3.23	2.32	

Non-rotating Accuracy of Plate: θ



Size	LEYG□M	LEYG□L
25	±0.06°	±0.04°
32	±0.05°	

Plate Displacement: δ



Model	Stroke [mm]					[mm]
	30	50	100	200	300	
LEYG25M	±0.26	±0.31	±0.25	±0.38	±0.36	
LEYG25L	±0.13	±0.13	±0.17	±0.20	±0.23	
LEYG32M	±0.23	±0.29	±0.23	±0.36	±0.34	
LEYG32L	±0.11	±0.11	±0.15	±0.19	±0.22	

* The values without a load are shown.

Model Selection

Step Motor (Servo/24 VDC)/Servo Motor (24 VDC)
LEYG

AC Servo Motor
LEYG

Environment
LEYG-X7
LEYG-X5
25A-LEYG

Step Motor (Servo/24 VDC)/Servo Motor (24 VDC)
JXC51/61
LECA6
LECA6
LEC-G
LECP1
LECPA
JXC□

AC Servo Motor
LECY□
LECS□

Specific Product Precautions

Electric Actuator Guide Rod Type

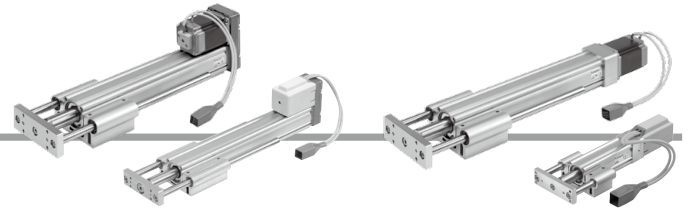
LEYG Series LEYG16, 25, 32, 40



* For details, refer to page 307 and onward.

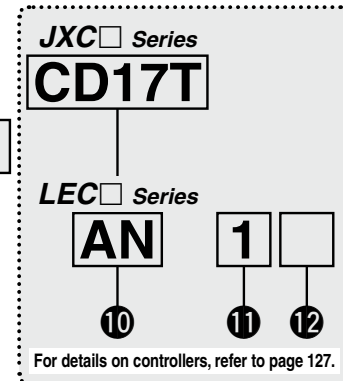
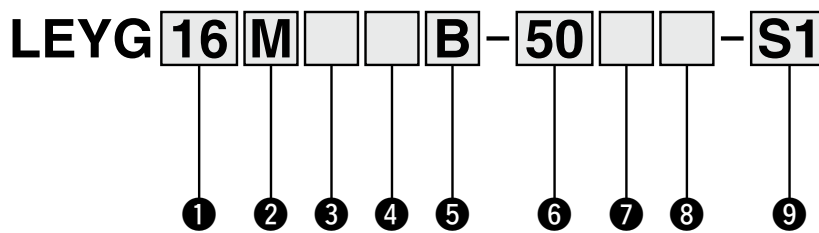


How to Order



Motor mounting position:
Parallel

Motor mounting position: In-line



① Size

16
25
32
40

② Bearing type*1

M	Sliding bearing
L	Ball bushing bearing

③ Motor mounting position

Nil	Top side parallel
D	In-line

④ Motor type

Symbol	Type	Applicable size			Compatible controllers/ drivers
		LEYG16	LEYG25	LEYG32/40	
Nil	Step motor (Servo/24 VDC)	●	●	●	JXC51 JXCD1 JXCPF JXC61 JXCL1 JXCLF JXCE1 JXCM1 JXC91 JXCEF LEC1 JXCP1 JXC9F LECPA
A	Servo motor (24 VDC)	●	●	—	LECA6

⑤ Lead [mm]

Symbol	LEYG16	LEYG25	LEYG32/40
A	10	12	16
B	5	6	8
C	2.5	3	4

⑥ Stroke*2 *3 [mm]

30	30
to	to
300	300

⑦ Motor option*4

Nil	Without option
C	With motor cover
B	With lock
W	With lock/motor cover

⑧ Guide option*5

Nil	Without option
F	With grease retaining function

* For details, refer to the applicable stroke table below.

⑨ Actuator cable type/length*7

Standard cable [m]		Robotic cable [m]			
Nil	None	R1	1.5	RA	10*6
S1	1.5*9	R3	3	RB	15*6
S3	3*9	R5	5	RC	20*6
S5	5*9	R8	8*6		

Applicable Stroke Table*2

Model	Stroke [mm]							Manufacturable stroke range [mm]
	30	50	100	150	200	250	300	
LEYG16	●	●	●	●	●	—	—	10 to 200
LEYG25	●	●	●	●	●	●	●	15 to 300
LEYG32/40	●	●	●	●	●	●	●	20 to 300

●: Standard

For auto switches, refer to pages 105 to 107.

Use of auto switches for the guide rod type LEYG series

- Auto switches must be inserted from the front side with the rod (plate) sticking out.
- Auto switches cannot be fixed with the parts hidden behind the guide attachment (the side of the rod that sticks out).
- Please contact SMC when using auto switches on the side of the rod that sticks out, as it is produced as a special order.

Electric Actuator Guide Rod Type **LEYG Series**

Step Motor (Servo/24 VDC) Servo Motor (24 VDC)

JXC Series (For details, refer to page 127.)

10 Controller

Nil	Without controller
C□1□□	With controller

C D 1 7 T

Interface (Communication protocol/Input/Output)

Symbol	Type	Number of axes, Special specification	
		Standard	With STO sub-function
5	Parallel input (NPN)	●	
6	Parallel input (PNP)	●	
E	EtherCAT	●	●
9	EtherNet/IP™	●	●
P	PROFINET	●	●
D	DeviceNet®	●	
L	IO-Link	●	●
M	CC-Link	●	

Mounting

7	Screw mounting
8*13	DIN rail

Number of axes, Special specification

Symbol	Number of axes	Specification
1	Single axis	Standard
F	Single axis	With STO sub-function

Communication plug connector, I/O cable*14

Symbol	Type	Applicable interface
Nil	Without accessory	—
S	Straight type communication plug connector	DeviceNet™
T	T-branch type communication plug connector	CC-Link Ver. 1.10
1	I/O cable (1.5 m)	Parallel input (NPN) Parallel input (PNP)
3	I/O cable (3 m)	
5	I/O cable (5 m)	

LEC Series (For details, refer to page 127.)

AN 1 □

10 11 12

10 Controller/Driver type*8

Nil	Without controller/driver	
6N	LECA6	NPN
6P	(Step data input type)	PNP
1N	LECP1 *9	NPN
1P	(Programless type)	PNP
AN	LECPA *9 *10	NPN
AP	(Pulse input type)	PNP

11 I/O cable length*11

Nil	Without cable (Without communication plug connector)	
1	1.5 m	
3	3 m*12	
5	5 m*12	

12 Controller/Driver mounting

Nil	Screw mounting
D	DIN rail*13

- *1 When [M: Sliding bearing] is selected, the max. speed of lead [A] is 400 mm/s (at no-load, horizontal mounting). The speed is also restricted with a horizontal/moment load. Refer to the "Model Selection" on page 110.
- *2 Please contact SMC for non-standard strokes as they are produced as special orders.
- *3 There is a limit for mounting the size 32/40 top side parallel motor types and strokes of 50 mm or less. Refer to the dimensions.
- *4 When "With lock" or "With lock/motor cover" is selected for the top side parallel motor type, the motor body will stick out from the end of the body for size 16/40 with strokes of 30 mm or less. Check for interference with workpieces before selecting a model.
- *5 Only available for size 25, 32, and 40 sliding bearings (Refer to the "Construction" on page 132.)
- *6 Produced upon receipt of order (Robotic cable only)
- *7 The standard cable should only be used on fixed parts.
For use on moving parts, select the robotic cable.
Refer to pages 258 and 259 if only the actuator cable is required.
- *8 For details on controllers/drivers and compatible motors, refer to the compatible controllers/drivers on the next page.

- *9 Only available for the motor type "Step motor"
- *10 When pulse signals are open collector, order the current limiting resistor (LEC-PA-R-□) on page 240 separately.
- *11 When "Without controller/driver" is selected for controller/driver types, I/O cable cannot be selected. Refer to page 224 (For LECA6), page 234 (For LECP1), or page 240 (For LECPA) if I/O cable is required.
- *12 When "Pulse input type" is selected for controller/driver types, pulse input usable only with differential. Only 1.5 m cables usable with open collector
- *13 The DIN rail is not included. It must be ordered separately.
- *14 Select "Nil" for anything other than DeviceNet™, CC-Link, or parallel input.
Select "Nil," "S," or "T" for DeviceNet™ or CC-Link.
Select "Nil," "1," "3," or "5" for parallel input.

⚠ Caution

[CE-compliant products]

- ① EMC compliance was tested by combining the electric actuator LEY series and the controller LEC/JXC series.
The EMC depends on the configuration of the customer's control panel and the relationship with other electrical equipment and wiring. Therefore, compliance with the EMC directive cannot be certified for SMC components incorporated into the customer's equipment under actual operating conditions. As a result, it is necessary for the customer to verify compliance with the EMC directive for the machinery and equipment as a whole.
- ② For the servo motor (24 VDC) specification, EMC compliance was tested by installing a noise filter set (LEC-NFA). Refer to page 224 for the noise filter set. Refer to the LECA series Operation Manual for installation.

[UL-compliant products (For the LEC series)]

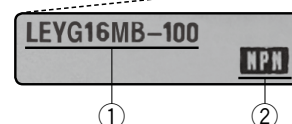
When compliance with UL is required, the electric actuator and controller/driver should be used with a UL1310 Class 2 power supply.

The actuator and controller/driver are sold as a package.

Confirm that the combination of the controller/driver and actuator is correct.

<Check the following before use.>

- ① Check the actuator label for the model number. This number should match that of the controller/driver.
- ② Check that the Parallel I/O configuration matches (NPN or PNP).

















* Refer to the Operation Manual for using the products. Please download it via our website: <https://www.smcworld.com>

LEYG Series

Step Motor (Servo/24 VDC) Servo Motor (24 VDC)

Compatible Controllers/Drivers

Type	Step data input type	Step data input type	Programless type	Pulse input type
				
Series	JXC51 JXC61	LECA6	LECP1	LECPA
Features	Parallel I/O	Parallel I/O	Capable of setting up operation (step data) without using a PC or teaching box	Operation by pulse signals
Compatible motor	Step motor (Servo/24 VDC)	Servo motor (24 VDC)	Step motor (Servo/24 VDC)	
Max. number of step data	64 points		14 points	—
Power supply voltage	24 VDC			
Reference page	211	218	229	235

Type	EtherCAT direct input type	EtherCAT direct input type with STO sub-function	EtherNet/IP™ direct input type	EtherNet/IP™ direct input type with STO sub-function	PROFINET direct input type	PROFINET direct input type with STO sub-function	DeviceNet® direct input type	IO-Link direct input type	IO-Link direct input type with STO sub-function	CC-Link direct input type
										
Series	JXCE1	JXCEF	JXC91	JXC9F	JXCP1	JXCPF	JXCD1	JXCL1	JXCLF	JXCM1
Features	EtherCAT direct input	EtherCAT direct input with STO sub-function	EtherNet/IP™ direct input	EtherNet/IP™ direct input with STO sub-function	PROFINET direct input	PROFINET direct input with STO sub-function	DeviceNet® direct input	IO-Link direct input	IO-Link direct input with STO sub-function	CC-Link direct input
Compatible motor	Step motor (Servo/24 VDC)									
Max. number of step data	64 points									
Power supply voltage	24 VDC									
Reference page	241									

Specific Product
Precautions

AC Servo Motor
LECY LECS

JXC

LECPA LECPI

LECG

LECA6

JXC51/61

25A-LEY LEY-X5 LEY-X7

Environment

AC Servo Motor
LEYG LEY

Step Motor (Servo/24 VDC)/Servo Motor (24 VDC)
LEYG LEY

Model
Selection

LEYG Series

Step Motor (Servo/24 VDC) Servo Motor (24 VDC)

Specifications

Step Motor (Servo/24 VDC)

Model		LEYG16 ^M			LEYG25 ^M			LEYG32 ^M			LEYG40 ^M				
Actuator specifications	Work load [kg] ^{*1}	Horizontal (JXC□1, JXC□F, LECP1)	Acceleration/Deceleration at 3000 [mm/s ²]	6	17	30	20	40	60	30	45	60	50	60	80
			Acceleration/Deceleration at 2000 [mm/s ²]	10	23	35	30	55	70	40	60	80	60	70	90
	Horizontal (LECPA, JXC□3)	Acceleration/Deceleration at 3000 [mm/s ²]	4	11	20	12	30	30	20	40	40	30	60	60	
		Acceleration/Deceleration at 2000 [mm/s ²]	6	17	30	18	50	50	30	60	60	—	—	—	
	Vertical	Acceleration/Deceleration at 3000 [mm/s ²]	1.5	3.5	7.5	7	15	29	9	20	41	11	25	51	
	Pushing force [N] ^{*2 *3 *4}		14 to 38	27 to 74	51 to 141	63 to 122	126 to 238	232 to 452	80 to 189	156 to 370	296 to 707	132 to 283	266 to 553	562 to 1058	
	Speed [mm/s] ^{*4}	JXC□1/LECP1	15 to 500	8 to 250	4 to 125	18 to 500	9 to 250	5 to 125	24 to 500	12 to 300	6 to 150	24 to 500	12 to 350	6 to 175	
		LECPA/JXC□3								12 to 250	6 to 125	24 to 300	12 to 150	6 to 75	
	Max. acceleration/deceleration [mm/s ²]		3000												
	Pushing speed [mm/s] ^{*5}		50 or less			35 or less			30 or less			30 or less			
Positioning repeatability [mm]		±0.02													
Lost motion [mm] ^{*6}		0.1 or less													
Screw lead [mm]		10	5	2.5	12	6	3	16	8	4	16	8	4		
Impact/Vibration resistance [m/s ²] ^{*7}		50/20													
Actuation type		Ball screw + Belt (LEYG□□□), Ball screw (LEYG□□□D)													
Guide type		Sliding bearing (LEYG□□M), Ball bushing bearing (LEYG□□L)													
Operating temp. range [°C]		5 to 40													
Operating humidity range [%RH]		90 or less (No condensation)													
Electric specifications	Motor size	□28			□42			□56.4			□56.4				
	Motor type	Step motor (Servo/24 VDC)													
	Encoder	Incremental													
	Power supply voltage [V]	24 VDC ±10%													
Lock unit specifications	Power [W] ^{*8 *10}	Max. power 43			Max. power 48			Max. power 104			Max. power 106				
	Type ^{*9}	Non-magnetizing lock													
	Holding force [N]	20	39	78	78	157	294	108	216	421	127	265	519		
	Power [W] ^{*10}	2.9			5			5			5				
Rated voltage [V]		24 VDC ±10%													

*1 Horizontal: An external guide is necessary to support the load (Friction coefficient of guide: 0.1 or less). The actual work load and transfer speed change according to the condition of the external guide. Also, speed changes according to the work load. Check the "Model Selection" on pages 111 and 112.

Vertical: Speed changes according to the work load. Check the "Model Selection" on pages 111 and 112.
Set the acceleration/deceleration values to be 3000 [mm/s²] or less.

*2 Pushing force accuracy is ±20% (F.S.).

*3 The pushing force values for LEYG16□□ are 35% to 85%, for LEYG25□□ are 35% to 65%, for LEYG32□□ are 35% to 85%, and for LEYG40□□ are 35% to 65%. The pushing force values change according to the duty ratio and pushing speed. Check the "Model Selection" on page 114.

*4 The speed and force may change depending on the cable length, load, and mounting conditions. Furthermore, if the cable length exceeds 5 m, then it will decrease by up to 10% for each 5 m. (At 15 m: Reduced by up to 20%)

When [M: Sliding bearing] is selected, the max. speed of lead [A] is 400 mm/s (at no-load, horizontal mounting).

The speed is also restricted with a horizontal/moment load. Refer to the "Model Selection" on page 110.

*5 The allowable speed for the pushing operation

*6 A reference value for correcting errors in reciprocal operation

*7 Impact resistance: No malfunction occurred when the actuator was tested with a drop tester in both an axial direction and a perpendicular direction to the lead screw. (The test was performed with the actuator in the initial state.)

Vibration resistance: No malfunction occurred in a test ranging between 45 to 2000 Hz. The test was performed in both an axial direction and a perpendicular direction to the lead screw. (The test was performed with the actuator in the initial state.)

*8 Indicates the max. power during operation (including the controller). This value can be used for the selection of the power supply.

*9 With lock only

*10 For an actuator with lock, add the power for the lock.

Specifications

Servo Motor (24 VDC)

Model		LEYG16 ^M □A			LEYG25 ^M □A		
Work load [kg] ^{*1}	Horizontal	Acceleration/Deceleration at 3000 [mm/s ²]					
	Vertical	Acceleration/Deceleration at 3000 [mm/s ²]					
Pushing force [N] ^{*2 *3}		16 to 30	30 to 58	57 to 111	18 to 35	37 to 72	66 to 130
Speed [mm/s]		1 to 500	1 to 250	1 to 125	2 to 500	1 to 250	1 to 125
Max. acceleration/deceleration [mm/s ²]		3000					
Pushing speed [mm/s] ^{*4}		50 or less			35 or less		
Positioning repeatability [mm]		±0.02					
Lost motion [mm] ^{*5}		0.1 or less					
Screw lead [mm]		10	5	2.5	12	6	3
Impact/Vibration resistance [m/s ²] ^{*6}		50/20					
Actuation type		Ball screw + Belt (LEYG□□), Ball screw (LEYG□□D)					
Guide type		Sliding bearing (LEYG□M), Ball bushing bearing (LEYG□L)					
Operating temp. range [°C]		5 to 40					
Operating humidity range [%RH]		90 or less (No condensation)					
Motor size		□28			□42		
Motor output [W]		30			36		
Motor type		Servo motor (24 VDC)					
Encoder		Incremental					
Power supply voltage [V]		24 VDC ±10%					
Power [W] ^{*7 *9}		Max. power 59			Max. power 96		
Type ^{*8}		Non-magnetizing lock					
Holding force [N]		20	39	78	78	157	294
Power [W] ^{*9}		2.9			5		
Rated voltage [V]		24 VDC ±10%					

- *1 Horizontal: An external guide is necessary to support the load (Friction coefficient of guide: 0.1 or less). The actual work load and transfer speed change according to the condition of the external guide.
Vertical: Check the "Model Selection" on page 113 for details.
Set the acceleration/deceleration values to be 3000 [mm/s²] or less.
- *2 Pushing force accuracy is ±20% (F.S.).
- *3 The thrust setting values for LEYG16□A□ are 60% to 95% and for LEYG25□A□ are 70% to 95%. The pushing force values change according to the duty ratio and pushing speed. Check the "Model Selection" on page 114.
- *4 The allowable speed for the pushing operation
- *5 A reference value for correcting errors in reciprocal operation
- *6 Impact resistance: No malfunction occurred when the actuator was tested with a drop tester in both an axial direction and a perpendicular direction to the lead screw. (The test was performed with the actuator in the initial state.)
Vibration resistance: No malfunction occurred in a test ranging between 45 to 2000 Hz. The test was performed in both an axial direction and a perpendicular direction to the lead screw. (The test was performed with the actuator in the initial state.)
- *7 Indicates the max. power during operation (including the controller). This value can be used for the selection of the power supply.
- *8 With lock only
- *9 For an actuator with lock, add the power for the lock.

Weight

Weight: Top Side Parallel Motor Type

Model		LEYG16M					LEYG25M					LEYG32M								
Stroke [mm]		30	50	100	150	200	30	50	100	150	200	250	300	30	50	100	150	200	250	300
Product weight [kg]	Step motor	0.83	0.97	1.20	1.49	1.66	1.67	1.86	2.18	2.60	2.94	3.28	3.54	2.91	3.17	3.72	4.28	4.95	5.44	5.88
	Servo motor	0.83	0.97	1.20	1.49	1.66	1.63	1.82	2.14	2.56	2.90	3.24	3.50	—	—	—	—	—	—	—

Model		LEYG16L					LEYG25L					LEYG32L								
Stroke [mm]		30	50	100	150	200	30	50	100	150	200	250	300	30	50	100	150	200	250	300
Product weight [kg]	Step motor	0.84	0.97	1.14	1.43	1.58	1.68	1.89	2.13	2.56	2.82	3.14	3.38	2.91	3.18	3.57	4.12	4.66	5.17	5.56
	Servo motor	0.84	0.97	1.14	1.43	1.58	1.64	1.85	2.09	2.52	2.78	3.10	3.34	—	—	—	—	—	—	—

Model		LEYG40M					LEYG40L								
Stroke [mm]		30	50	100	150	200	250	300	30	50	100	150	200	250	300
Product weight [kg]	Step motor	3.21	3.47	4.02	4.58	5.25	5.74	6.18	3.21	3.48	3.87	4.42	4.96	5.47	5.86
	Servo motor	—	—	—	—	—	—	—	—	—	—	—	—	—	—

Weight: In-line Motor Type

Model		LEYG16M					LEYG25M					LEYG32M								
Stroke [mm]		30	50	100	150	200	30	50	100	150	200	250	300	30	50	100	150	200	250	300
Product weight [kg]	Step motor	0.83	0.97	1.20	1.49	1.66	1.66	1.85	2.17	2.59	2.93	3.27	3.53	2.90	3.16	3.71	4.27	4.94	5.43	5.87
	Servo motor	0.83	0.97	1.20	1.49	1.66	1.62	1.81	2.13	2.55	2.89	3.23	3.49	—	—	—	—	—	—	—

Model		LEYG16L					LEYG25L					LEYG32L								
Stroke [mm]		30	50	100	150	200	30	50	100	150	200	250	300	30	50	100	150	200	250	300
Product weight [kg]	Step motor	0.84	0.97	1.14	1.43	1.58	1.67	1.88	2.12	2.55	2.81	3.13	3.37	2.90	3.17	3.56	4.11	4.65	5.16	5.55
	Servo motor	0.84	0.97	1.14	1.43	1.58	1.63	1.84	2.08	2.51	2.77	3.09	3.33	—	—	—	—	—	—	—

Model		LEYG40M					LEYG40L								
Stroke [mm]		30	50	100	150	200	250	300	30	50	100	150	200	250	300
Product weight [kg]	Step motor	3.20	3.46	4.01	4.57	5.24	5.73	6.17	3.20	3.47	3.86	4.41	4.95	5.46	5.85
	Servo motor	—	—	—	—	—	—	—	—	—	—	—	—	—	—

Additional Weight

Size	16	25	32	40
Lock	0.12	0.26	0.53	0.53
Motor cover	0.02	0.03	0.04	0.05
Lock/Motor cover	0.16	0.32	0.61	0.62

Model Selection

Step Motor (Servo/24 VDC) Servo Motor (24 VDC)
LEYG

AC Servo Motor
LEYG

Environment
LEY-X7
LEY-X5
25A-LEY

Step Motor (Servo/24 VDC) Servo Motor (24 VDC)
JXC51/61
LECA6
LECA6
LECG
LECP1
LECPA

JXC□
LECS□
LECY□

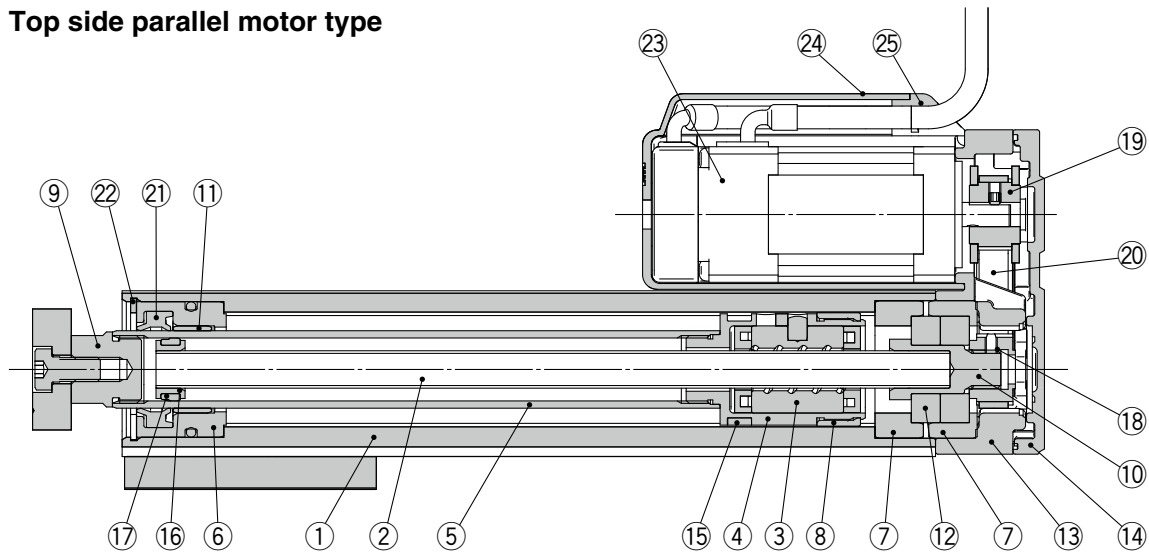
Specific Product Precautions

LEYG Series

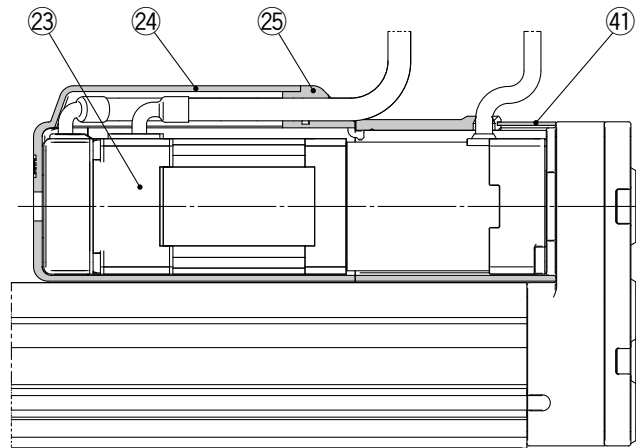
Step Motor (Servo/24 VDC) Servo Motor (24 VDC)

Construction

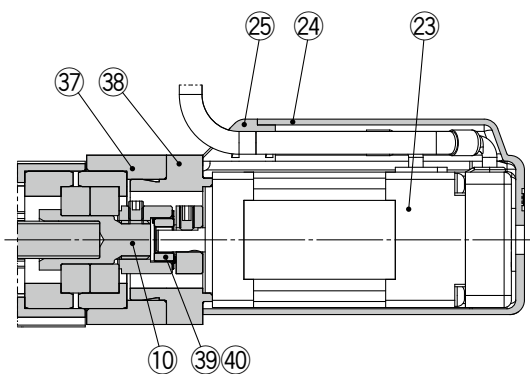
Top side parallel motor type



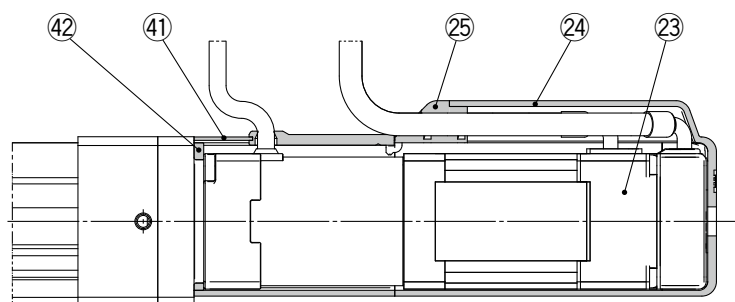
Top side parallel motor type With lock/motor cover



In-line motor type

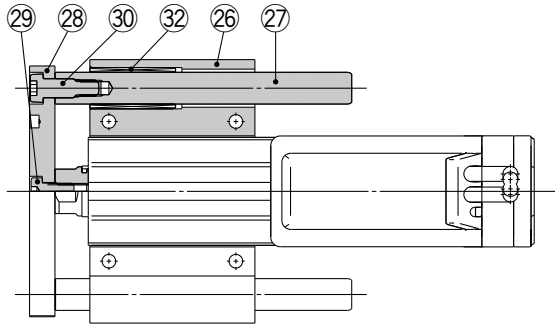


In-line motor type With lock/motor cover



Construction

LEYG□M



LEYG¹⁶₂₅₃₂₄₀M: 50st or less

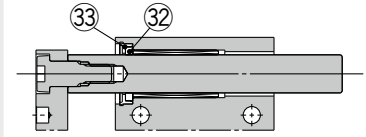


LEYG¹⁶₂₅₃₂₄₀M: Over 50st

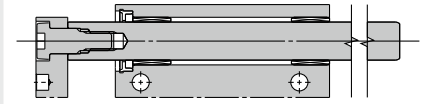


When grease retaining function selected

LEYG²⁵₃₂₄₀M□□^A_B□□□F: 50st or less

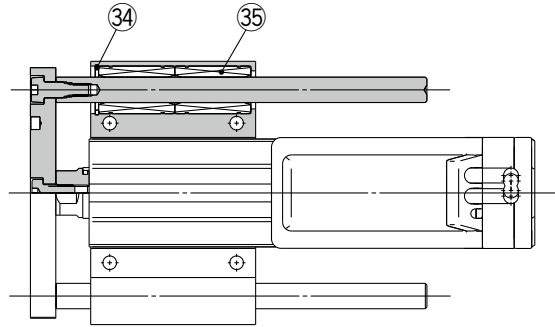


LEYG²⁵₃₂₄₀M□□^A_B□□□F: Over 50st



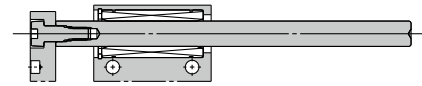
* Felt material is inserted to retain grease at the sliding part of the sliding bearing. This lengthens the life of the sliding part, but does not guarantee it permanently.

LEYG□L

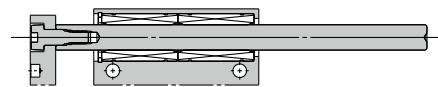


LEYG16L: 30st or less

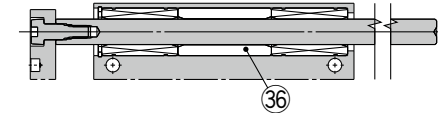
LEYG²⁵₃₂₄₀L: 100st or less



LEYG16L: Over 30st, 100st or less



LEYG¹⁶₂₅₃₂₄₀L: Over 100st



Component Parts

No.	Description	Material	Note
1	Body	Aluminum alloy	Anodized
2	Ball screw shaft	Alloy steel	
3	Ball screw nut	Synthetic resin/Alloy steel	
4	Piston	Aluminum alloy	
5	Piston rod	Stainless steel	Hard chrome plating
6	Rod cover	Aluminum alloy	
7	Bearing holder	Aluminum alloy	
8	Rotation stopper	Synthetic resin	
9	Socket	Free cutting carbon steel	Nickel plating
10	Connected shaft	Free cutting carbon steel	Nickel plating
11	Bushing	Bearing alloy	
12	Bearing	—	
13	Return box	Aluminum die-cast	Coating
14	Return plate	Aluminum die-cast	Coating
15	Magnet	—	
16	Wear ring holder	Stainless steel	Stroke 101 mm or more
17	Wear ring	Synthetic resin	Stroke 101 mm or more
18	Screw shaft pulley	Aluminum alloy	
19	Motor pulley	Aluminum alloy	
20	Belt	—	
21	Seal	NBR	
22	Retaining ring	Steel for spring	Phosphate coated
23	Motor	—	
24	Motor cover	Synthetic resin	Only "With motor cover"
25	Grommet	Synthetic resin	Only "With motor cover"
26	Guide attachment	Aluminum alloy	Anodized
27	Guide rod	Carbon steel	

No.	Description	Material	Note
28	Plate	Aluminum alloy	Anodized
29	Plate mounting cap screw	Carbon steel	Nickel plating
30	Guide cap screw	Carbon steel	Nickel plating
31	Sliding bearing	Bearing alloy	
32	Lube-retainer	Felt	
33	Holder	Synthetic resin	
34	Retaining ring	Steel for spring	Phosphate coating
35	Ball bushing	—	
36	Spacer	Aluminum alloy	Chromating
37	Motor block	Aluminum alloy	Anodized
38	Motor adapter	Aluminum alloy	Anodized/LEY16, 25 only
39	Hub	Aluminum alloy	
40	Spider	NBR	
41	Motor cover with lock	Aluminum alloy	Only "With lock/motor cover"
42	Cover support	Aluminum alloy	Only "With lock/motor cover"

Replacement Parts/Belt

No.	Size	Order no.
20	16	LE-D-2-1
	25	LE-D-2-2
	32, 40	LE-D-2-3

Replacement Parts/Grease Pack

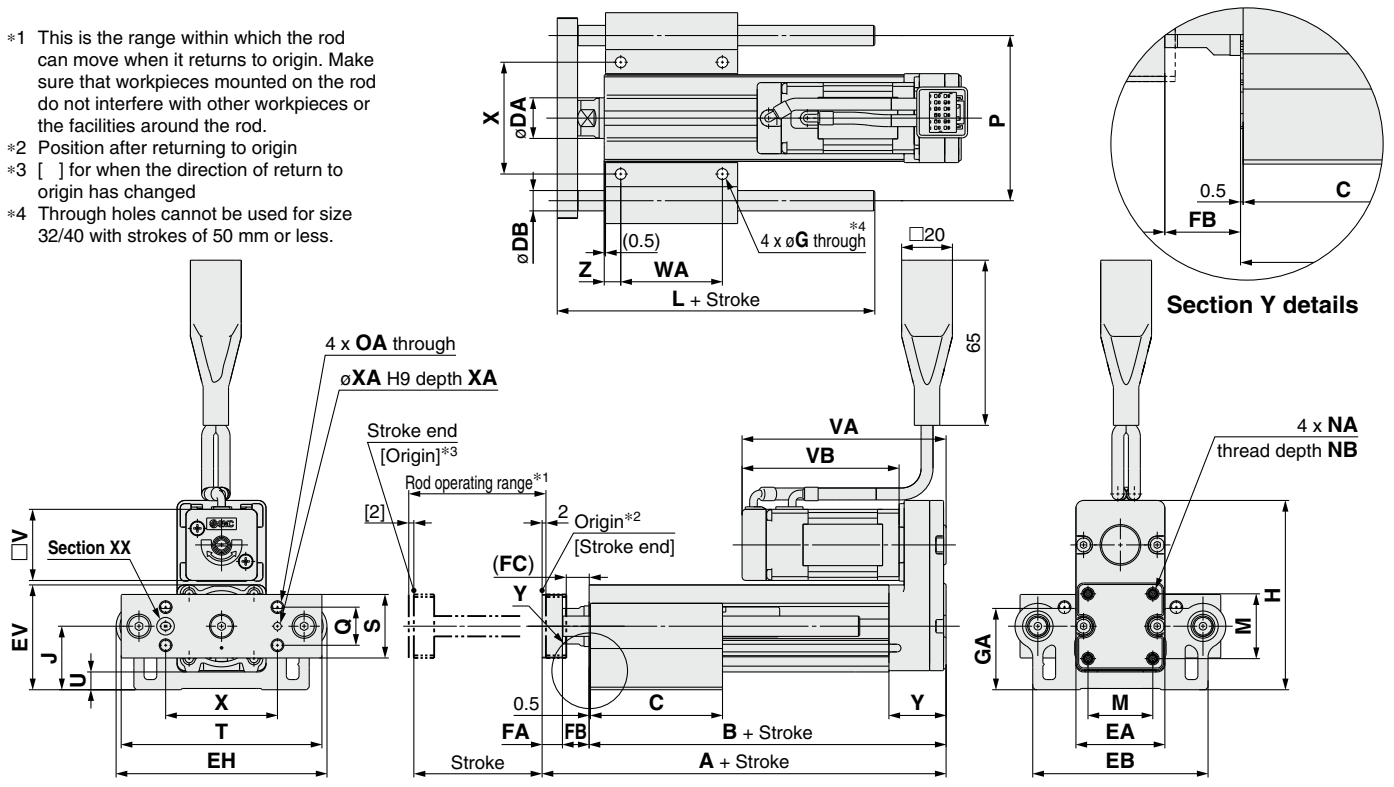
Applied portion	Order no.
Piston rod	GR-S-010 (10 g)
Guide rod	GR-S-020 (20 g)

LEYG Series

Step Motor (Servo/24 VDC) Servo Motor (24 VDC)

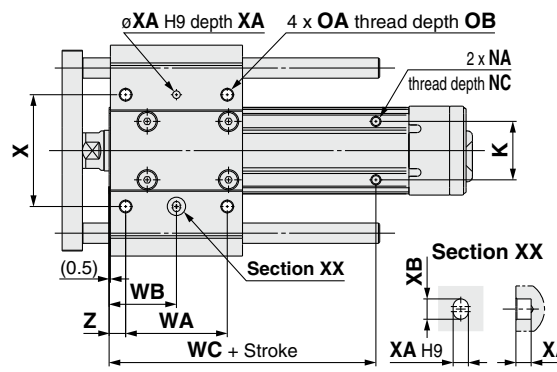
Dimensions: Top Side Parallel Motor

- *1 This is the range within which the rod can move when it returns to origin. Make sure that workpieces mounted on the rod do not interfere with other workpieces or the facilities around the rod.
- *2 Position after returning to origin
- *3 [] for when the direction of return to origin has changed
- *4 Through holes cannot be used for size 32/40 with strokes of 50 mm or less.



LEYG□L (Ball bushing bearing) [mm]

Size	Stroke range	L	DB
16	90st or less	75	8
	91st or more, 200st or less	105	
25	114st or less	91	10
	115st or more, 190st or less	115	
	191st or more, 300st or less	133	
32	114st or less	97.5	13
	115st or more, 190st or less	116.5	
	191st or more, 300st or less	134	



LEYG□M (Sliding bearing) [mm]

Size	Stroke range	L	DB
16	64st or less	51.5	10
	65st or more, 90st or less	74.5	
	91st or more, 200st or less	105	
25	59st or less	67.5	12
	60st or more, 185st or less	100.5	
	186st or more, 300st or less	138	
32	54st or less	74	16
	55st or more, 180st or less	107	
	181st or more, 300st or less	144	

LEYG□M, LEYG□L Common

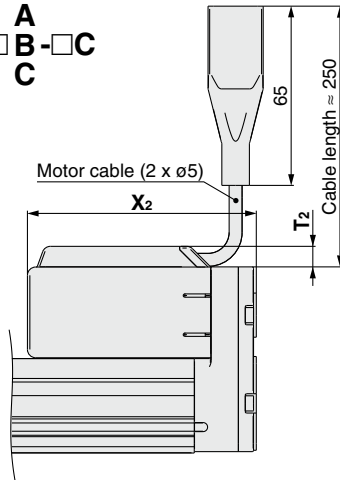
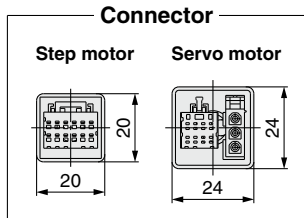
Size	Stroke range	A	B	C	DA	EA	EB	EH	EV	FA	FB	FC	G	GA	H	J	K	M	NA	NB	NC
16	39st or less	109	90.5	37	16	35	69	83	41.1	8	10.5	8.5	4.3	31.8	74.3	24.8	23	25.5	M4 x 0.7	7	5.5
	40st or more, 100st or less			52																	
	101st or more, 200st or less			82																	
25	39st or less	141.5	116	50	20	46	85	103	52.3	11	14.5	12.5	5.4	40.3	98.8	30.8	29	34	M5 x 0.8	8	6.5
	40st or more, 100st or less			67.5																	
	101st or more, 124st or less			84.5																	
	125st or more, 200st or less			102																	
	201st or more, 300st or less			102																	
32	39st or less	160.5	130	55	25	60	101	123	63.8	12	18.5	16.5	5.4	50.3	125.3	38.3	30	40	M6 x 1.0	10	8.5
	40st or more, 100st or less			68																	
	101st or more, 124st or less			85																	
	125st or more, 200st or less			102																	
40	39st or less	190.5	160	55	25	60	101	123	63.8	12	18.5	16.5	5.4	50.3	125.3	38.3	30	40	M6 x 1.0	10	8.5
	40st or more, 100st or less			68																	
	101st or more, 124st or less			85																	
	125st or more, 200st or less			102																	
	201st or more, 300st or less			102																	

Size	Stroke range	OA	OB	P	Q	S	T	U	V	Step motor VA	Step motor VB	Servo motor VA	Servo motor VB	WA	WB	WC	X	XA	XB	Y	Z
16	39st or less	M5 x 0.8	10	65	15	25	79	6.8	28	80.3	61.8	81	62.5	25	19	55	44	3	4	22.5	6.5
	40st or more, 100st or less													40	26.5						
	101st or more, 200st or less													70	41.5						
25	39st or less	M6 x 1.0	12	80	18	30	95	6.8	42	85.4	63.4	81.6	59.6	35	26	70	54	4	5	26.5	8.5
	40st or more, 100st or less													50	33.5						
	101st or more, 124st or less													70	43.5						
	125st or more, 200st or less													85	51						
	201st or more, 300st or less													85	51						
32	39st or less	M6 x 1.0	12	95	28	40	117	7.3	56.4	95.4	68.4	—	—	40	28.5	75	64	5	6	34	8.5
	40st or more, 100st or less													50	33.5						
	101st or more, 124st or less													70	43.5						
	125st or more, 200st or less													85	51						
40	39st or less	M6 x 1.0	12	95	28	40	117	7.3	56.4	117.4	90.4	—	—	40	28.5	75	64	5	6	34	8.5
	40st or more, 100st or less													50	33.5						
	101st or more, 124st or less													70	43.5						
	125st or more, 200st or less													85	51						
	201st or more, 300st or less													85	51						



Dimensions: Top Side Parallel Motor

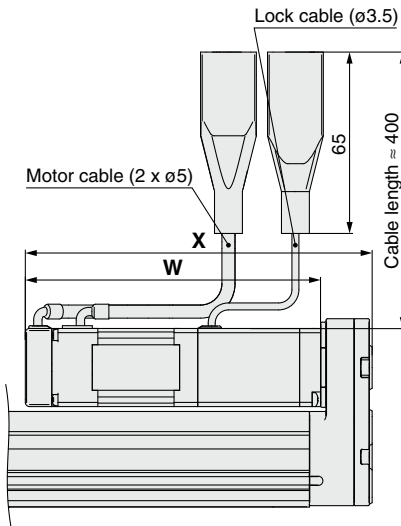
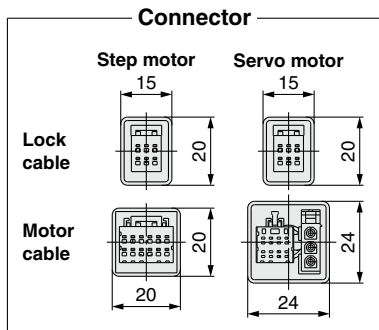
With motor cover: LEYG $\begin{matrix} 16 \\ 25 \\ 32 \\ 40 \end{matrix}$ $\begin{matrix} \square \\ \square \\ \square \\ \square \end{matrix}$ $\begin{matrix} A \\ B \\ C \end{matrix}$ - $\begin{matrix} \square \\ \square \\ \square \\ \square \end{matrix}$ C



Size	T ₂	X ₂
16	7.5	83
25	7.5	88.5
32	7.5	98.5
40	7.5	120.5

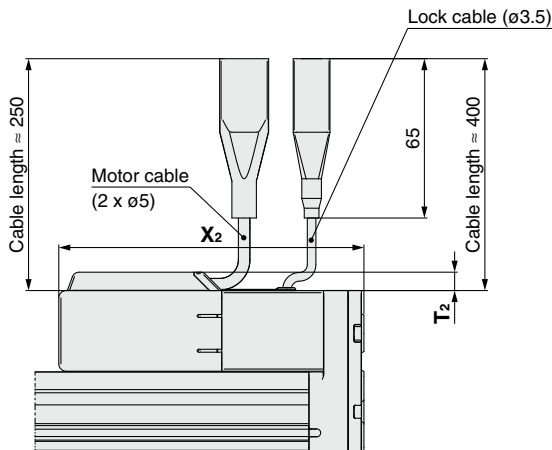
Motor cover material: Synthetic resin

With lock: LEYG $\begin{matrix} 16 \\ 25 \\ 32 \\ 40 \end{matrix}$ $\begin{matrix} \square \\ \square \\ \square \\ \square \end{matrix}$ $\begin{matrix} A \\ B \\ C \end{matrix}$ - $\begin{matrix} \square \\ \square \\ \square \\ \square \end{matrix}$ B



Size	Step motor		Servo motor	
	W	X	W	X
16	103.3	121.8	104	122.5
25	103.9	125.9	100.1	122.1
32	111.4	138.4	—	—
40	133.4	160.4	—	—

With lock/motor cover: LEYG $\begin{matrix} 16 \\ 25 \\ 32 \\ 40 \end{matrix}$ $\begin{matrix} \square \\ \square \\ \square \\ \square \end{matrix}$ $\begin{matrix} A \\ B \\ C \end{matrix}$ - $\begin{matrix} \square \\ \square \\ \square \\ \square \end{matrix}$ W



Size	T ₂	X ₂
16	7.5	124.5
25	7.5	129
32	7.5	141.5
40	7.5	163.5

Model Selection

Step Motor (Servo/24 VDC)/Servo Motor (24 VDC)
LEYG

AC Servo Motor
LEYG

Environment
LEYG-X7

Environment
LEYG-X5

Environment
LEYG-X7

Step Motor (Servo/24 VDC)/Servo Motor (24 VDC)
JXC51/61

Step Motor (Servo/24 VDC)/Servo Motor (24 VDC)
LECA6

Step Motor (Servo/24 VDC)/Servo Motor (24 VDC)
LEC-G

Step Motor (Servo/24 VDC)/Servo Motor (24 VDC)
LECP1

Step Motor (Servo/24 VDC)/Servo Motor (24 VDC)
LECPA

Specific Product Precautions
JXC

AC Servo Motor
LECS

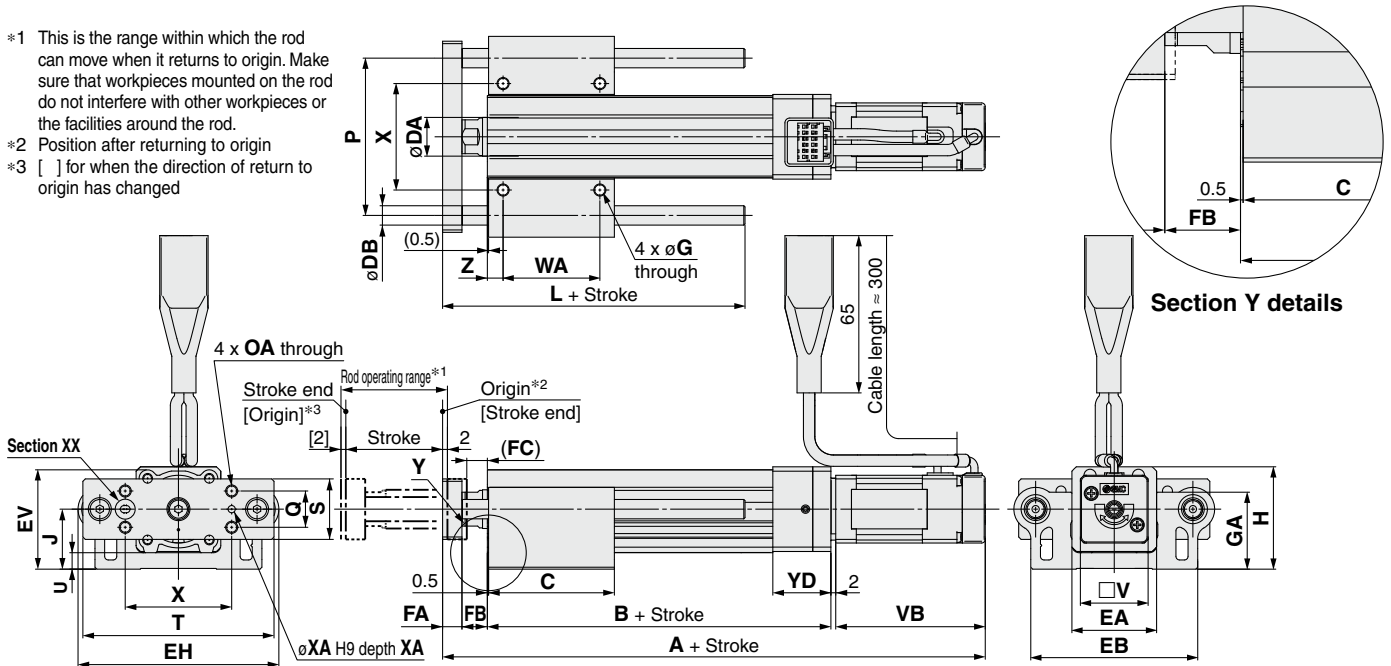
AC Servo Motor
LECY

LEYG Series

Step Motor (Servo/24 VDC) Servo Motor (24 VDC)

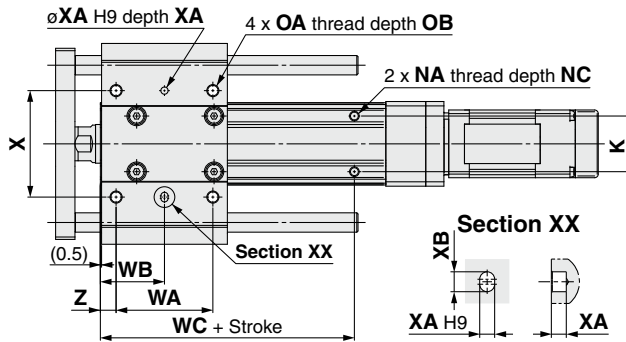
Dimensions: In-line Motor

- *1 This is the range within which the rod can move when it returns to origin. Make sure that workpieces mounted on the rod do not interfere with other workpieces or the facilities around the rod.
- *2 Position after returning to origin
- *3 [] for when the direction of return to origin has changed



LEYG□L (Ball bushing bearing) [mm]

Size	Stroke range	L	DB
16	90st or less	75	8
	91st or more, 200st or less	105	
25	114st or less	91	10
	115st or more, 190st or less	115	
	191st or more, 300st or less	133	
32	114st or less	97.5	13
	115st or more, 190st or less	116.5	
40	191st or more, 300st or less	134	



LEYG□M (Sliding bearing) [mm]

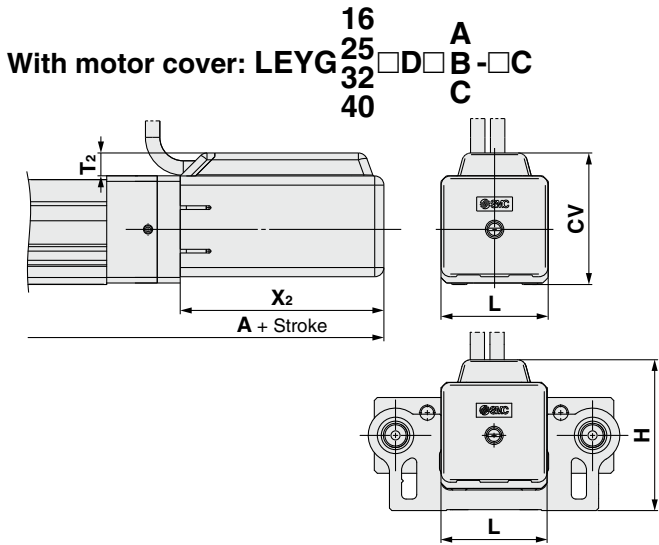
Size	Stroke range	L	DB
16	64st or less	51.5	10
	65st or more, 90st or less	74.5	
	91st or more, 200st or less	105	
25	59st or less	67.5	12
	60st or more, 185st or less	100.5	
	186st or more, 300st or less	138	
32	54st or less	74	16
	55st or more, 180st or less	107	
40	181st or more, 300st or less	144	

LEYG□M, LEYG□L Common

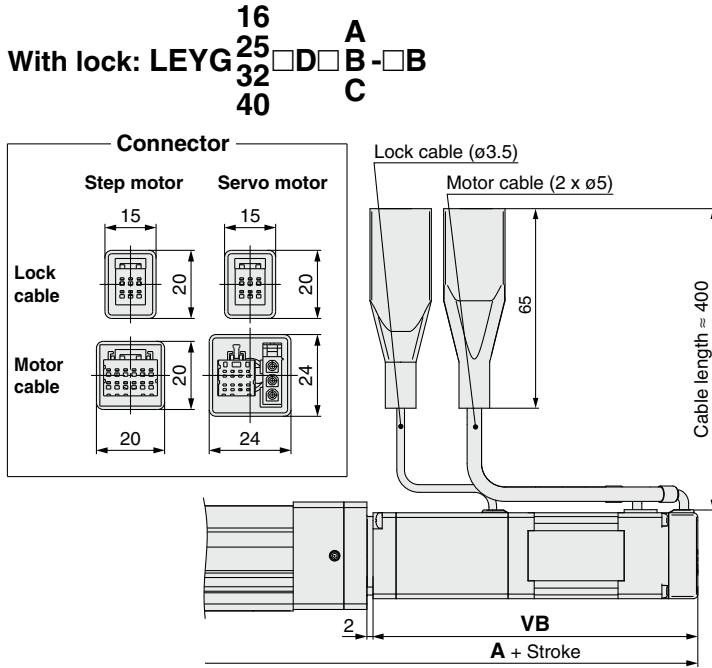
Size	Stroke range	Step motor / Servo motor		B	C	DA	EA	EB	EH	EV	FA	FB	FC	G	GA	H	J	K	NA	NC
		A	A																	
16	39st or less	174.3	175	92	37	16	35	69	83	41.1	8	10.5	8.5	4.3	31.8	42.3	24.8	23	M4 x 0.7	5.5
	40st or more, 100st or less		52																	
	101st or more, 200st or less	194.3	195	112	82															
25	39st or less	206.4	202.6	115.5	50	20	45	85	103	52.3	11	14.5	12.5	5.4	40.3	53.3	30.8	29	M5 x 0.8	6.5
	40st or more, 100st or less		67.5																	
	101st or more, 124st or less		84.5																	
	125st or more, 200st or less	231.4	227.6	140.5	102															
	201st or more, 300st or less		102																	
32	39st or less	228.9	—	128	55	25	60	101	123	63.8	12	18.5	16.5	5.4	50.3	68.3	38.3	30	M6 x 1.0	8.5
	40st or more, 100st or less		68																	
	101st or more, 124st or less		85																	
	125st or more, 200st or less	258.9	—	158	102															
	201st or more, 300st or less		102																	
40	39st or less	250.9	—	128	55	25	60	101	123	63.8	12	18.5	16.5	5.4	50.3	68.3	38.3	30	M6 x 1.0	8.5
	40st or more, 100st or less		68																	
	101st or more, 124st or less		85																	
	125st or more, 200st or less	280.9	—	158	102															
	201st or more, 300st or less		102																	

Size	Stroke range	OA	OB	P	Q	S	T	U	V	Step motor / Servo motor		WA	WB	WC	X	XA	XB	YD	Z
										VB	VB								
16	39st or less	M5 x 0.8	10	65	15	25	79	6.8	28	61.8	62.5	25	19	55	44	3	4	24	6.5
	40st or more, 100st or less											40	26.5						
	101st or more, 200st or less											70	41.5						
25	39st or less	M6 x 1.0	12	80	18	30	95	6.8	42	63.4	59.6	35	26	70	54	4	5	26	8.5
	40st or more, 100st or less											50	33.5						
	101st or more, 124st or less											70	43.5						
	125st or more, 200st or less											85	51	95					
	201st or more, 300st or less												51						
32	39st or less	M6 x 1.0	12	95	28	40	117	7.3	56.4	68.4	—	40	28.5	75	64	5	6	32	8.5
	40st or more, 100st or less											50	33.5						
	101st or more, 124st or less											70	43.5						
	125st or more, 200st or less											85	51	105					
	201st or more, 300st or less												51						
40	39st or less	M6 x 1.0	12	95	28	40	117	7.3	56.4	90.4	—	40	28.5	75	64	5	6	32	8.5
	40st or more, 100st or less											50	33.5						
	101st or more, 124st or less											70	43.5						
	125st or more, 200st or less											85	51	105					
	201st or more, 300st or less												51						

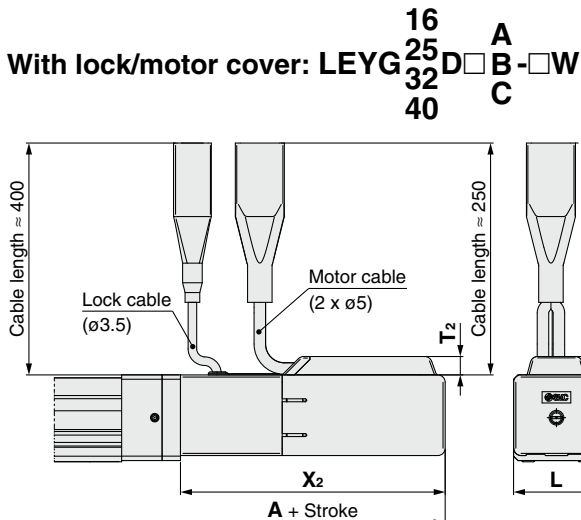
Dimensions: In-line Motor



Size	Stroke range	A	T ₂	X ₂	L	H	CV
16	100st or less	177	7.5	66.5	35	49.8	43
	101st or more, 200st or less	197					
25	100st or less	209.5	7.5	68.5	46	61.3	54.5
	101st or more, 300st or less	234.5					
32	100st or less	232	7.5	73.5	60	75.8	68.5
	101st or more, 300st or less	262					
40	100st or less	254	7.5	95.5	60	75.8	68.5
	101st or more, 300st or less	284					



Size	Stroke range	A		VB	
		Step motor	Servo motor	Step motor	Servo motor
16	100st or less	215.8	216.5	103.3	104
	101st or more, 200st or less	235.8	236.5		
25	100st or less	246.9	243.1	103.9	100.1
	101st or more, 300st or less	271.9	268.1		
32	100st or less	271.9	—	111.4	—
	101st or more, 300st or less	301.9	—		
40	100st or less	293.9	—	133.4	—
	101st or more, 300st or less	323.9	—		



Size	Stroke range	A	T ₂	X ₂	L	H	CV
16	100st or less	218.5	7.5	108	35	49.8	43
	101st or more, 200st or less	238.5					
25	100st or less	250	7.5	109	46	61.3	54.4
	101st or more, 300st or less	275					
32	100st or less	275	7.5	116.5	60	75.8	68.5
	101st or more, 300st or less	305					
40	100st or less	297	7.5	138.5	60	75.8	68.5
	101st or more, 300st or less	327					

Model Selection

LEYG

LEYG

LEYG

LEYG

LEYG

LEYG

LEYG

LEYG

LEYG

LEYG

LEYG

LEYG

LEYG

LEYG

LEYG

LEYG

LEYG

Specific Product Precautions

LEYG Series

Step Motor (Servo/24 VDC) Servo Motor (24 VDC)

Support Block

● Guide for support block application

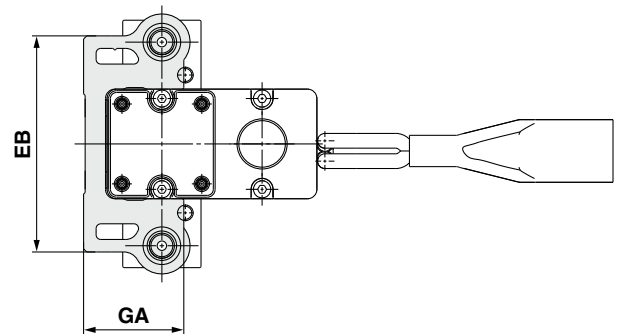
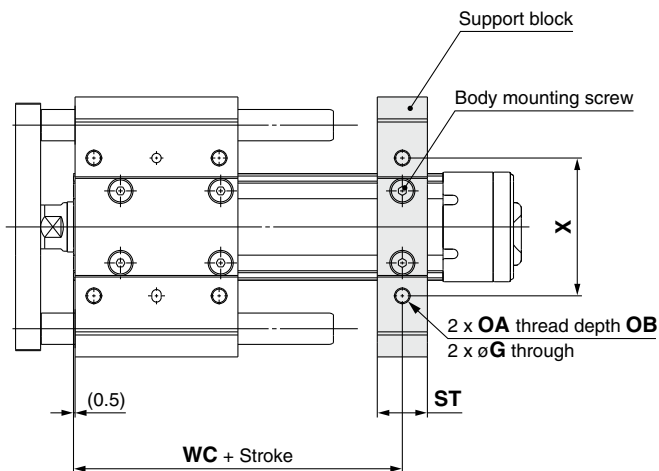
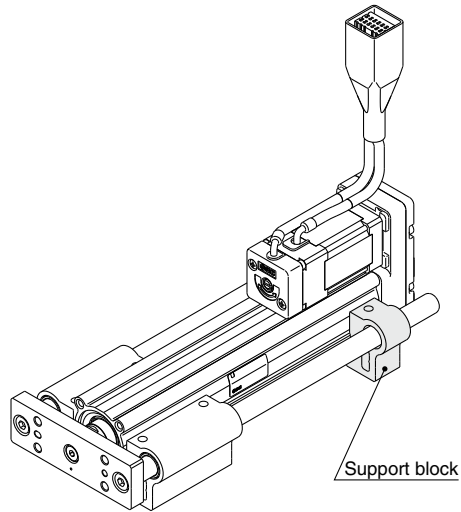
When the stroke exceeds 100 mm and the mounting orientation is horizontal, the body will be bent. Mounting the support block is recommended. (Please order it separately from the models shown below.)

Support Block Model

LEYG-S 016

● Size

016	For size 16
025	For size 25
032	For sizes 32, 40



⚠ Caution

Do not install the body using only a support block.
The support block should be used only for support.

Size	Model	Stroke range	EB	G	GA	OA	OB	ST	WC	X
16	LEYG-S016	100st or less	69	4.3	31.8	M5 x 0.8	10	16	55	44
		101st or more, 200st or less							75	
25	LEYG-S025	100st or less	85	5.4	40.3	M6 x 1.0	12	20	70	54
		101st or more, 300st or less							95	
32 40	LEYG-S032	100st or less	101	(5.4)	(50.3)	M6 x 1.0	12	22	75	64
		101st or more, 300st or less							105	

* Two body mounting screws are included with the support block.

* The through holes of the LEYG-S032 cannot be used for the top side parallel motor type. Use taps on the bottom.

Specific Product Precautions	AC Servo Motor		Step Motor (Servo/24 VDC)/Servo Motor (24 VDC)					Environment		AC Servo Motor		Step Motor (Servo/24 VDC)/Servo Motor (24 VDC)		Model Selection
	LECY <input type="checkbox"/>	LECS <input type="checkbox"/>	JXC <input type="checkbox"/>	LECPA	LECP1	LEC-G	LECA6	JXC51/61	25A-LEY	LEY-X5	LEY-X7	LEYG	LEY	

Electric Actuator Guide Rod Type

LEYG Series LEYG25, 32

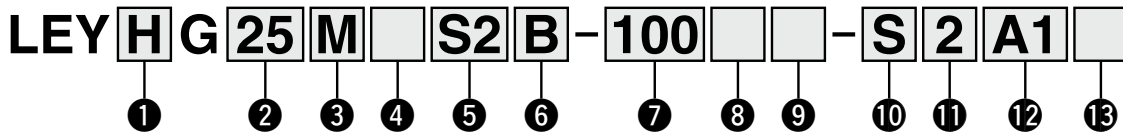
The LECSB-S, LECS-C-S, and LECS-S electric actuator drivers are to be discontinued. The LECSB-T, LECS-C-T, and LECS-S-T drivers are available as substitutes. In the product number, select T6 instead of S6, or T7 instead of S7 for the **Motor type**, and select B2 instead of B1, C2 instead of C1, or S2 instead of S1 for the **Driver type**.



* For details, refer to page 307 and onward.

LECY□ Series ▶ p. 147

How to Order



1 Accuracy

Nil	Basic type
H	High-precision type

2 Size

25
32

3 Bearing type

M	Sliding bearing
L	Ball bushing bearing

4 Motor mounting position

Nil	Top side parallel
D	In-line

5 Motor type*1

Symbol	Type	Output [W]	Actuator size	Compatible drivers*3
S2*1	AC servo motor (Incremental encoder)	100	25	LECSA□-S1
S3		200	32	LECSA□-S3
S6*1	AC servo motor (Absolute encoder)	100	25	LECSB□-S5 LECS-C□-S5 LECSS□-S5
S7		200	32	LECSB□-S7 LECS-C□-S7 LECSS□-S7
T6*2	AC servo motor (Absolute encoder)	100	25	LECSB2-T5 LECS-C2-T5 LECSN2-T5-□ LECSS2-T5
T7		200	32	LECSB2-T7 LECS-C2-T7 LECSN2-T7-□ LECSS2-T7

*1 For motor type S2 and S6, the compatible driver part number suffixes are S1 and S5 respectively.

*2 For motor type T6, the compatible driver part number is LECS□2-T5.

*3 For details on the driver, refer to page 264.

6 Lead [mm]

Symbol	LEYG25	LEYG32*1
A	12	16 (20)
B	6	8 (10)
C	3	4 (5)

*1 The values shown in () are the leads for the size 32 top side parallel motor type. (Equivalent leads which include the pulley ratio [1.25:1])

7 Stroke [mm]

30	30
to	to
300	300

* For details, refer to the applicable stroke table below.

* There is a limit for mounting the size 32 top side parallel motor type and strokes of 50 mm or less. Refer to the dimensions.

8 Motor option

Nil	Without option
B	With lock

9 Guide option

Nil	Without option
F	With grease retaining function

* Only available for size 25 and 32 sliding bearings (Refer to the "Construction" on page 142.)

10 Cable type*1 *2

Nil	Without cable
S	Standard cable
R	Robotic cable (Flexible cable)

*1 A motor cable and encoder cable are included with the product. (A lock cable is also included if motor option "B: With lock" is selected.)

*2 Standard cable entry direction is

- Top side parallel: (A) Axis side
 - In-line: (B) Counter axis side
- (Refer to page 290 for details.)

11 Cable length*1 [m]

Nil	Without cable
2	2
5	5
A	10

*1 The length of the motor, encoder, and lock cables are the same.

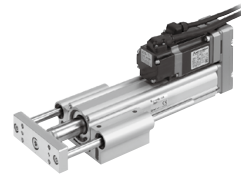
Applicable Stroke Table

●: Standard

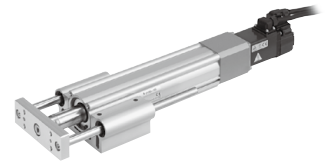
Model	Stroke [mm]	30	50	100	150	200	250	300	Manufacturable stroke range
LEYG25		●	●	●	●	●	●	●	15 to 300
LEYG32		●	●	●	●	●	●	●	20 to 300

* Please contact SMC for non-standard strokes as they are produced as special orders.

For auto switches, refer to pages 105 to 107.



Motor mounting position: Parallel



Motor mounting position: In-line

12 Driver type*1

	Compatible drivers	Power supply voltage [V]
Nil	Without driver	—
A1	LECSA1-S□	100 to 120
A2	LECSA2-S□	200 to 230
B1	LECSB1-S□	100 to 120
B2	LECSB2-S□	200 to 230
	LECSB2-T□	200 to 240
C1	LECSC1-S□	100 to 120
C2	LECSC2-S□	200 to 230
	LECSC2-T□	
S1	LECSS1-S□	100 to 120
S2	LECSS2-S□	200 to 230
	LECSS2-T□	200 to 240
N2	LECSN2-T□	200 to 240
E2	LECSN2-T□-E	200 to 240
92	LECSN2-T□-9	200 to 240
P2	LECSN2-T□-P	200 to 240

*1 When a driver type is selected, a cable is included. Select the cable type and cable length.
Example)
S2S2: Standard cable (2 m) + Driver (LECSS2)
S2: Standard cable (2 m)
Nil: Without cable and driver

13 I/O cable length [m]*1

Nil	Without cable
H	Without cable (Connector only)
1	1.5

*1 When “Nil: Without driver” is selected for the driver type, only “Nil: Without cable” can be selected. Refer to page 291 if an I/O cable is required. (Options are shown on page 291.)

Use of auto switches for the guide rod type LEYG series

- Auto switches must be inserted from the front side with the rod (plate) sticking out.
- Auto switches cannot be fixed with the parts hidden behind the guide attachment (the side of the rod that sticks out).
- Please contact SMC when using auto switches on the side of the rod that sticks out, as it is produced as a special order.

Compatible Drivers

Driver type	Pulse input type /Positioning type	Pulse input type	CC-Link direct input type	SSCNET III type	Pulse input type	CC-Link direct input type	SSCNET III/H type	Network card type
Series	LECSA	LECSB	LECSC	LECSS	LECSB-T	LECSC-T	LECSS-T	LECSN-T
Number of point tables*1	Up to 7	—	Up to 255 (2 stations occupied)	—	Up to 255	Up to 255 (2 stations occupied)	—	Up to 255
Pulse input	○	○	—	—	○	—	—	—
Applicable network	—	—	CC-Link	SSCNET III	—	CC-Link	SSCNET III/H	PROFINET EtherCAT® EtherNet/IP™
Control encoder	Incremental 17-bit encoder	Absolute 18-bit encoder	Absolute 18-bit encoder	Absolute 18-bit encoder	Absolute 22-bit encoder	Absolute 18-bit encoder	Absolute 22-bit encoder	Absolute 22-bit encoder
Communication function	USB communication	USB communication, RS422 communication	—	USB communication	USB communication, RS422 communication	—	USB communication	—
Power supply voltage [V]	—	100 to 120 VAC (50/60 Hz) 200 to 230 VAC (50/60 Hz)	—	—	200 to 240 VAC (50/60 Hz)	200 to 230 VAC (50/60 Hz)	200 to 240 VAC (50/60 Hz)	200 to 240 VAC (50/60 Hz)
Reference page	269							

*1 The LECSN-T only supports PROFINET and EtherCAT®.

LEYG Series

AC Servo Motor

Specifications

Model		LEYG25□S ₂ ² /T6 (Parallel) LEYG25□DS ₂ ² /T6 (In-line)			LEYG32□S ₃ ³ /T7 (Parallel)			LEYG32□DS ₃ ³ /T7 (In-line)			
Actuator specifications	Work load [kg]	Horizontal ^{*1}	18	50	50	30	60	60	30	60	60
		Vertical	7	15	29	7	17	35	10	22	44
	Force [N] ^{*2} (Set value: 15 to 30%) ^{*8}		65 to 131	127 to 255	242 to 485	79 to 157	154 to 308	294 to 588	98 to 197	192 to 385	368 to 736
	Max. speed [mm/s]		900	450	225	1200	600	300	1000	500	250
	Pushing speed [mm/s] ^{*3}		35 or less			30 or less			30 or less		
	Max. acceleration/deceleration [mm/s ²]		5000			5000			5000		
	Positioning repeatability [mm]	Basic type	±0.02								
		High-precision type	±0.01								
	Lost motion ^{*4} [mm]	Basic type	0.1 or less								
		High-precision type	0.05 or less								
Lead [mm] (including pulley ratio)		12	6	3	20	10	5	16	8	4	
Impact/Vibration resistance [m/s ²] ^{*5}		50/20			50/20			50/20			
Actuation type		Ball screw + Belt [1:1]/Ball screw			Ball screw + Belt [1.25:1]			Ball screw			
Guide type		Sliding bearing (LEYG□M), Ball bushing bearing (LEYG□L)									
Operating temperature range [°C]		5 to 40			5 to 40			5 to 40			
Operating humidity range [%RH]		90 or less (No condensation)			90 or less (No condensation)			90 or less (No condensation)			
Regeneration option		May be required depending on speed and work load (Refer to page 117.)									
Motor output/Size		100 W/□40			200 W/□60			200 W/□60			
Motor type		AC servo motor (100/200 VAC)			AC servo motor (100/200 VAC)			AC servo motor (100/200 VAC)			
Encoder ^{*9}		Motor type S2, S3: Incremental 17-bit encoder (Resolution: 131072 p/rev)									
		Motor type S6, S7: Absolute 18-bit encoder (Resolution: 262144 p/rev)									
		Motor type T6, T7: Absolute 22-bit encoder (Resolution: 4194304 p/rev) (For LECSSB-T□, LECSS-T□)									
		Motor type T6, T7: Absolute 18-bit encoder (Resolution: 262144 p/rev) (For LECSC-T□)									
Power [W] ^{*6}		Max. power 445			Max. power 724			Max. power 724			
Type ^{*7}		Non-magnetizing lock			Non-magnetizing lock			Non-magnetizing lock			
Holding force [N]		131	255	485	157	308	588	197	385	736	
Power at 20°C [W]		6.3			7.9			7.9			
Rated voltage [V]		24 VDC ⁰ _{-10%}									

*1 This is the max. value of the horizontal work load. An external guide is necessary to support the load (Friction coefficient of guide: 0.1 or less). The actual work load changes according to the condition of the external guide. Confirm the load using the actual device.

*2 The force setting range (set values for the driver) for the force control with the torque control mode. Set it while referencing the "Force Conversion Graph" on page 118.

The driver applicable to the pushing operation is "LECSS", "LECSB-T", and "LECSS-T".

The LECSSB-T is only applicable when the control method is positioning. The point table is used to set the pushing operation settings.

To set the pushing operation settings, an additional dedicated file (pushing operation extension file) must be downloaded separately to be used with the setup software (MR Configurator2™: LEC-MRC2□). Please download this dedicated file from the SMC website: <https://www.smcworld.com>

When selecting the LECSS or LECSS2-T, combine it with upper level equipment (such as the Simple Motion module manufactured by Mitsubishi Electric Corporation) which has a pushing operation function.

** For customer-provided PLC and motion controller setting and usage instructions, confirm with the retailer or manufacturer.

*3 The allowable collision speed for collision with the workpiece with the torque control mode

*4 A reference value for correcting errors in reciprocal operation

*5 Impact resistance: No malfunction occurred when the actuator was tested with a drop tester in both an axial direction and a perpendicular direction to the lead screw. (The test was performed with the actuator in the initial state.)
Vibration resistance: No malfunction occurred in a test ranging between 45 to 2000 Hz. The test was performed in both an axial direction and a perpendicular direction to the lead screw. (The test was performed with the actuator in the initial state.)

*6 Indicates the max. power during operation (including the driver)
When selecting the power supply capacity, refer to the power supply capacity in the operation manual of each driver.

*7 Only when motor option "With lock" is selected

*8 For motor types T6 and T7, the set value is 12 to 24%.

*9 For motor types T6 and T7, the resolution will change depending on the driver type.

Weight

Weight: Top Side Parallel Motor Type

Series		LEYG25MS ₂ ² /T6						LEYG32MS ₃ ³ /T7							
Motor type	Stroke [mm]	30	50	100	150	200	250	300	30	50	100	150	200	250	300
	Incremental encoder	1.80	1.99	2.31	2.73	3.07	3.41	3.67	3.24	3.50	4.05	4.80	5.35	5.83	6.28
	Absolute encoder [S ₂ ²]	1.86	2.05	2.37	2.79	3.13	3.47	3.73	3.18	3.44	3.99	4.74	5.29	5.77	6.22
	Absolute encoder [T ₂ ²]	1.8	2.0	2.4	2.8	3.1	3.5	3.7	3.2	3.4	4.0	4.7	5.3	5.7	6.2

Series		LEYG25LS ₂ ² /T6						LEYG32LS ₃ ³ /T7							
Motor type	Stroke [mm]	30	50	100	150	200	250	300	30	50	100	150	200	250	300
	Incremental encoder	1.81	2.02	2.26	2.69	2.95	3.27	3.51	3.24	3.51	3.9	4.64	5.06	5.56	5.96
	Absolute encoder [S ₂ ²]	1.87	2.08	2.32	2.75	3.01	3.33	3.57	3.18	3.45	3.84	4.58	5.00	5.50	5.90
	Absolute encoder [T ₂ ²]	1.9	2.1	2.3	2.7	3.0	3.3	3.6	3.2	3.4	3.8	4.6	5.0	5.5	5.9

Weight: In-line Motor Type

Series		LEYG25MDS ₂ ² /T6						LEYG32MDS ₃ ³ /T7							
Motor type	Stroke [mm]	30	50	100	150	200	250	300	30	50	100	150	200	250	300
	Incremental encoder	1.83	2.02	2.34	2.76	3.10	3.44	3.70	3.26	3.52	4.07	4.82	5.37	5.85	6.30
	Absolute encoder [S ₂ ²]	1.89	2.08	2.40	2.82	3.16	3.50	3.76	3.20	3.46	4.01	4.76	5.31	5.79	6.24
	Absolute encoder [T ₂ ²]	1.9	2.1	2.4	2.8	3.1	3.5	3.7	3.2	3.4	4.0	4.7	5.3	5.8	6.2

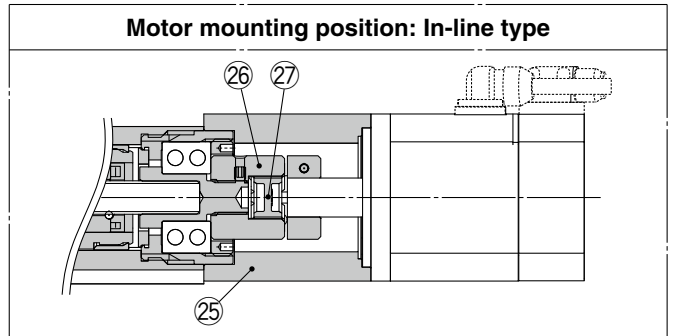
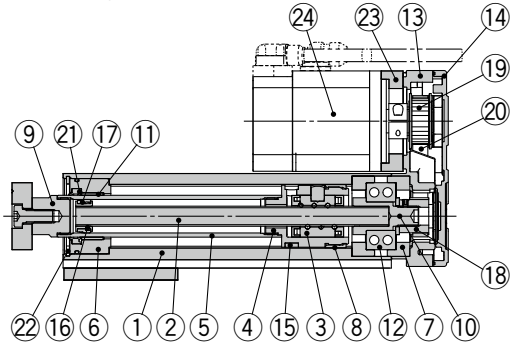
Series		LEYG25LDS ₂ ² /T6						LEYG32LDS ₃ ³ /T7							
Motor type	Stroke [mm]	30	50	100	150	200	250	300	30	50	100	150	200	250	300
	Incremental encoder	1.84	2.05	2.29	2.72	2.98	3.30	3.54	3.26	3.53	3.92	4.66	5.08	5.58	5.98
	Absolute encoder [S ₂ ²]	1.90	2.11	2.35	2.78	3.04	3.36	3.60	3.20	3.47	3.86	4.60	5.02	5.52	5.92
	Absolute encoder [T ₂ ²]	1.9	2.1	2.3	2.8	3.0	3.3	3.6	3.2	3.4	3.8	4.6	5.0	5.5	5.9

Additional Weight

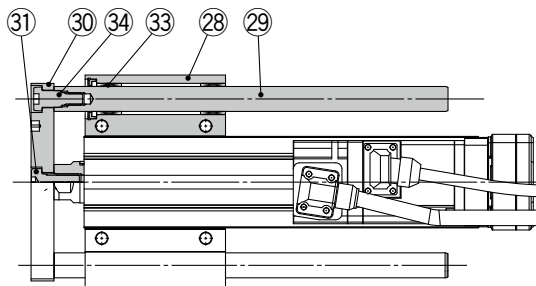
Size		25	32
Lock	Incremental encoder	0.20	0.40
	Absolute encoder [S ₂ ²]	0.30	0.66
	Absolute encoder [T ₂ ²]	0.3	0.7

Construction

Motor mounting position: Top side parallel motor type



LEYG□M

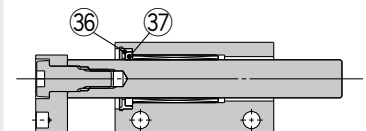


LEYG25/32M: 50st or less

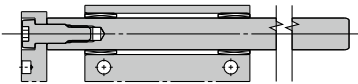


When grease retaining function selected

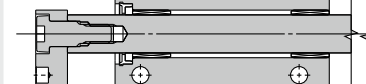
LEYG25/32M: 50st or less



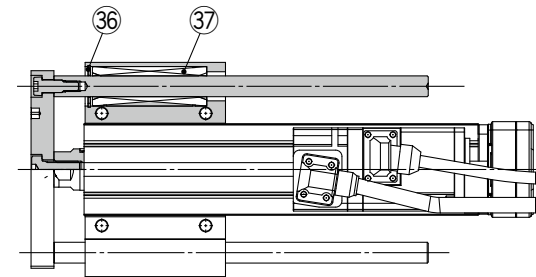
LEYG25/32M: Over 50st



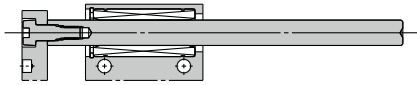
LEYG25/32M: Over 50st



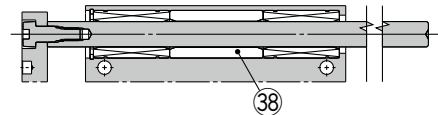
LEYG□L



LEYG25/32L: 100st or less



LEYG25/32L: Over 100st



Component Parts

No.	Description	Material	Note
1	Body	Aluminum alloy	Anodized
2	Ball screw shaft	Alloy steel	
3	Ball screw nut	Synthetic resin/Alloy steel	
4	Piston	Aluminum alloy	
5	Piston rod	Stainless steel	Hard chrome plating
6	Rod cover	Aluminum alloy	
7	Bearing holder	Aluminum alloy	
8	Rotation stopper	Synthetic resin	
9	Socket	Free cutting carbon steel	Nickel plating
10	Connected shaft	Free cutting carbon steel	Nickel plating
11	Bushing	Bearing alloy	
12	Bearing	—	
13	Return box	Aluminum die-cast	Coating
14	Return plate	Aluminum die-cast	Coating
15	Magnet	—	
16	Wear ring holder	Stainless steel	Stroke 101 mm or more
17	Wear ring	Synthetic resin	Stroke 101 mm or more
18	Screw shaft pulley	Aluminum alloy	
19	Motor pulley	Aluminum alloy	
20	Belt	—	
21	Seal	NBR	
22	Retaining ring	Steel for spring	Phosphate coating
23	Motor adapter	Aluminum alloy	Coating
24	Motor	—	
25	Motor block	Aluminum alloy	Coating
26	Hub	Aluminum alloy	

No.	Description	Material	Note
27	Spider	Urethane	
28	Guide attachment	Aluminum alloy	Anodized
29	Guide rod	Carbon steel	
30	Plate	Aluminum alloy	Anodized
31	Plate mounting cap screw	Carbon steel	Nickel plating
32	Guide cap screw	Carbon steel	Nickel plating
33	Sliding bearing	Bearing alloy	
34	Felt	Felt	
35	Holder	Synthetic resin	
36	Retaining ring	Steel for spring	Phosphate coating
37	Ball bushing	—	
38	Spacer	Aluminum alloy	Chromating

Support Block

Size	Order no.
25	LEYG-S025
32	LEYG-S032

Replacement Parts/Belt

Size	Order no.
25	LE-D-2-2
32	LE-D-2-4

* Two body mounting screws are included with the support block.

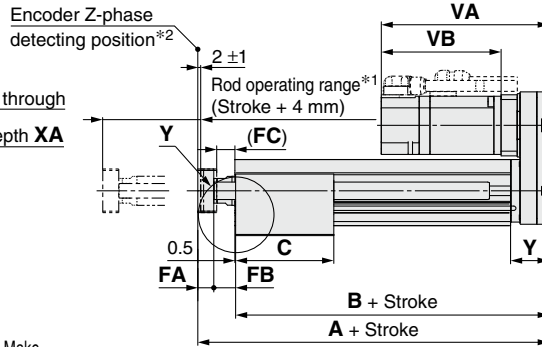
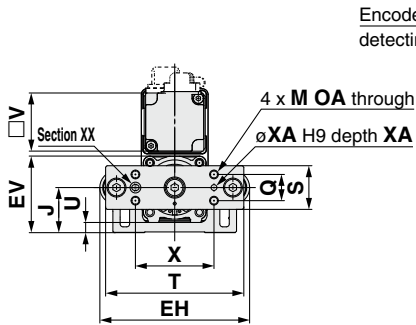
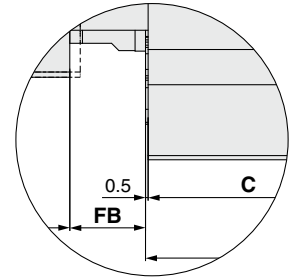
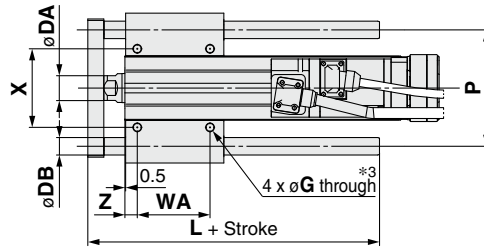
Replacement Parts/Grease Pack

Applied portion	Order no.
Piston rod	GR-S-010 (10 g)
Guide rod	GR-S-020 (20 g)

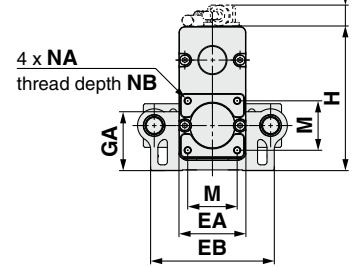
LEYG Series

AC Servo Motor

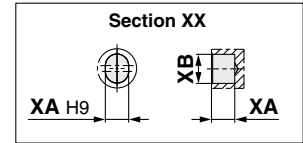
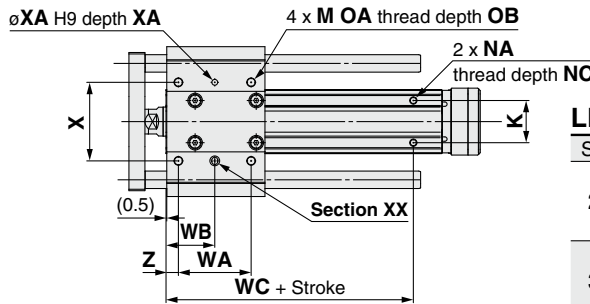
Dimensions: Top Side Parallel Motor



Section Y details



- *1 This is the range within which the rod can move. Make sure that workpieces mounted on the rod do not interfere with other workpieces or the facilities around the rod.
- *2 The Z-phase first detecting position from the stroke end of the motor side
- *3 Through holes cannot be used for size 32 with strokes of 50 mm or less.



LEYG□L (Ball bushing bearing) [mm]

Size	Stroke range [mm]	L	DB
25	Up to 114	91	10
	115 to 190	115	
	191 to 300	133	
	Up to 114	97.5	
32	115 to 190	116.5	13
	191 to 300	134	

LEYG□M (Sliding bearing) [mm]

Size	Stroke range [mm]	L	DB
25	Up to 59	67.5	12
	60 to 185	100.5	
	186 to 300	138	
32	Up to 59	74	16
	60 to 185	107	
	186 to 300	144	

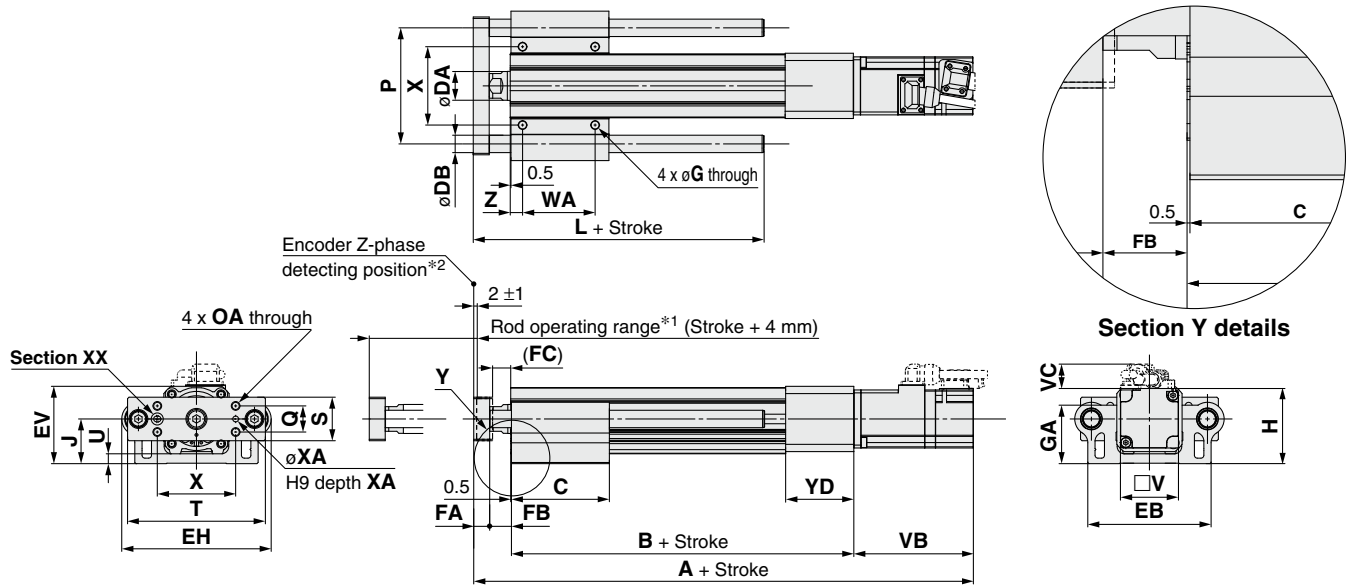
LEYG□M, LEYG□L Common

Size	Stroke range [mm]	A	B	C	DA	EA	EB	EH	EV	FA	FB	FC	G	GA	H	J	K	M	NA	NB	NC
25	Up to 39	141.5	116	50	20	46	85	103	52.3	11	14.5	12.5	5.4	40.3	98.8	30.8	29	34	M5 x 0.8	8	6.5
	40 to 100			67.5																	
	101 to 124			84.5																	
	125 to 200			102																	
	201 to 300			102																	
32	Up to 39	160.5	130	55	25	60	101	123	63.8	12	18.5	16.5	5.4	50.3	125.3	38.3	30	40	M6 x 1.0	10	8.5
	40 to 100			68																	
	101 to 124			85																	
	125 to 200			85																	
	201 to 300			102																	

Size	Stroke range [mm]	OA	OB	P	Q	S	T	U	V	WA	WB	WC	X	XA	XB	Y	Z
25	Up to 39	M6 x 1.0	12	80	18	30	95	6.8	40	35	26	70	54	4	5	26.5	8.5
	40 to 100									50	33.5						
	101 to 124									70	43.5						
	125 to 200									85	51						
	201 to 300									85	51						
32	Up to 39	M6 x 1.0	12	95	28	40	117	7.3	60	40	28.5	75	64	5	6	34	8.5
	40 to 100									50	33.5						
	101 to 124									70	43.5						
	125 to 200									85	51						
	201 to 300									85	51						

Size	Incremental encoder [S2/S3]						Absolute encoder [S6/S7]						Absolute encoder [T6/T7]					
	Without lock			With lock			Without lock			With lock			Without lock			With lock		
	VA	VB	VC	VA	VB	VC	VA	VB	VC	VA	VB	VC	VA	VB	VC	VA	VB	VC
25	120	87	14.1	156.9	123.9	15.8	115.4	82.4	14.1	156.5	123.5	15.8	115.4	82.4	14.1	156	123	15.8
32	128.2	88.2	17.1	156.8	116.8	17.1	116.6	76.6	17.1	156.1	116.1	17.1	116.6	76.6	17.1	153.4	113.4	17.1

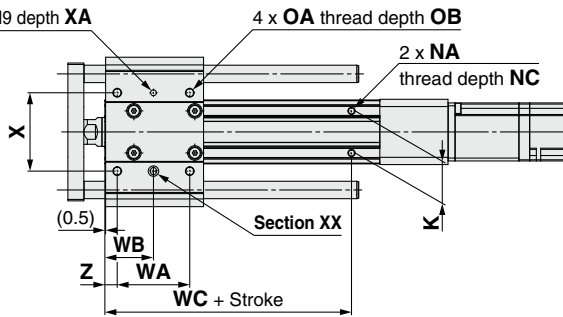
Dimensions: In-line Motor



*1 This is the range within which the rod can move. Make sure that workpieces mounted on the rod do not interfere with other workpieces or the facilities around the rod.
*2 The Z-phase first detecting position from the stroke end of the motor side

LEYG□L (Ball bushing bearing) [mm]

Size	Stroke range [mm]	L	DB
25	Up to 114	91	10
	115 to 190	115	
	191 to 300	133	
32	Up to 114	97.5	13
	115 to 190	116.5	
	191 to 300	134	



LEYG□M (Sliding bearing) [mm]

Size	Stroke range [mm]	L	DB
25	Up to 59	67.5	12
	60 to 185	100.5	
	186 to 300	138	
32	Up to 59	74	16
	60 to 185	107	
	186 to 300	144	

LEYG□M, LEYG□L Common

Size	Stroke range [mm]	B	C	DA	EB	EH	EV	FA	FB	FC	G	GA	H	J	K	NA	NC
25	Up to 39	136.5	50	20	85	103	52.3	11	14.5	12.5	5.4	40.3	53.3	30.8	29	M5 x 0.8	6.5
	40 to 100		67.5														
	101 to 124	161.5	84.5														
	125 to 200		102														
	201 to 300		102														
32	Up to 39	156	55	25	101	123	63.8	12	18.5	16.5	5.4	50.3	68.3	38.3	30	M6 x 1.0	8.5
	40 to 100		68														
	101 to 124	186	85														
	125 to 200		102														
	201 to 300		102														

Size	Stroke range [mm]	OA	OB	P	Q	S	T	U	V	WA	WB	WC	X	XA	XB	YD	Z					
25	Up to 39	M6 x 1.0	12	80	18	30	95	6.8	40	35	26	70	54	4	5	47	8.5					
	40 to 100									50	33.5											
	101 to 124									70	43.5	95						64	5	6	60	8.5
	125 to 200									85	51											
	201 to 300									40	28.5											
32	Up to 39	M6 x 1.0	12	95	28	40	117	7.3	60	40	28.5	75	64	5	6	60	8.5					
	40 to 100									50	33.5											
	101 to 124									70	43.5	105						64	5	6	60	8.5
	125 to 200									85	51											
	201 to 300									40	28.5											

Size	Stroke range [mm]	Incremental encoder [S2/S3]						Absolute encoder [S6/S7]						Absolute encoder [T6/T7]					
		Without lock			With lock			Without lock			With lock			Without lock			With lock		
		A	VB	VC	A	VB	VC	A	VB	VC	A	VB	VC	A	VB	VC	A	VB	VC
25	15 to 100	249	87	14.6	285.9	123.9	16.3	244.4	82.4	14.6	285.5	123.5	16.3	244.4	82.4	14.6	285	123	16.3
	105 to 300	274			310.9			269.4			310.5			269.4			310		
32	15 to 100	274.7	88.2	17.1	303.3	116.8	17.1	263.1	76.6	17.1	302.6	116.1	17.1	263.1	76.6	17.1	299.9	113.4	17.1
	105 to 300	304.7			333.3			293.1			332.6			293.1					

LEYG Series

AC Servo Motor

Support Block

● Guide for support block application

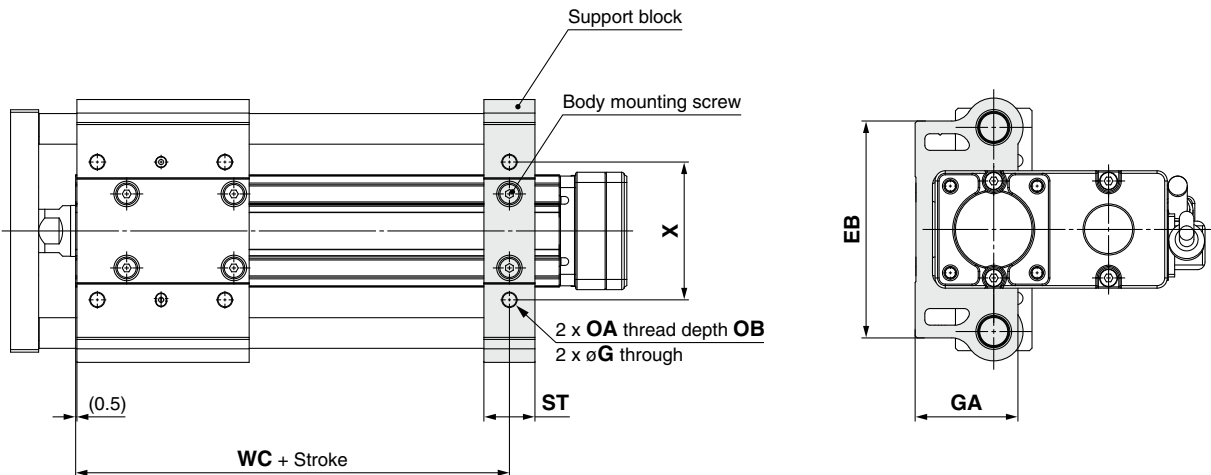
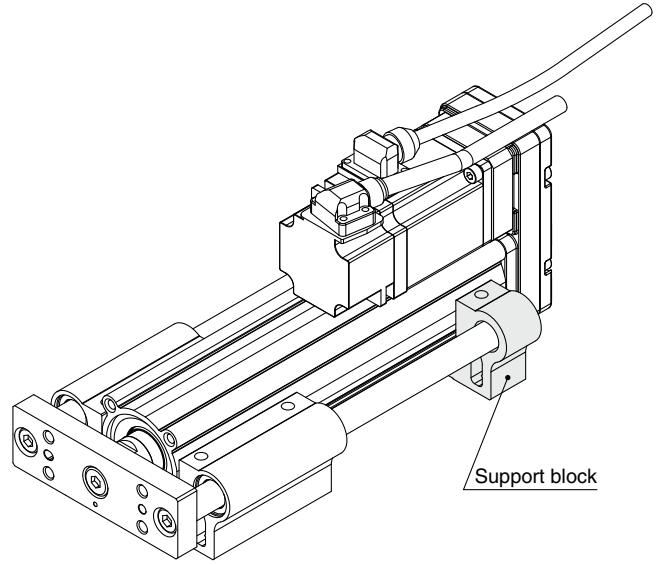
When the stroke exceeds 100 mm and the mounting orientation is horizontal, the body will be bent. Mounting the support block is recommended. (Please order it separately from the models shown below.)

Support Block Model

LEYG-S 025

● **Size**

025	For size 25
032	For size 32



⚠ Caution

Do not install the body using only a support block. The support block should be used only for support.

[mm]										
Size	Model	Stroke range	EB	G	GA	OA	OB	ST	WC	X
25	LEYG-S025	100st or less	85	5.4	40.3	M6 x 1.0	12	20	70	54
		101st or more, 300st or less							95	
32	LEYG-S032	100st or less	101	(5.4)	(50.3)	M6 x 1.0	12	22	75	64
		101st or more, 300st or less			105					

* Two body mounting screws are included with the support block.

* The through holes of the LEYG-S032 cannot be used for the top side parallel motor type. Use taps on the bottom.

Specific Product Precautions	AC Servo Motor		Step Motor (Servo/24 VDC)/Servo Motor (24 VDC)					Environment		AC Servo Motor		Step Motor (Servo/24 VDC)/Servo Motor (24 VDC)		Model Selection
	LECY <input type="checkbox"/>	LECS <input type="checkbox"/>	JXC <input type="checkbox"/>	LECPA	LECP1	LEC-G	LECA6	JXC51/61	25A-LEY	LEY-X5	LEY-X7	LEYG	LEY	

Electric Actuator Guide Rod Type

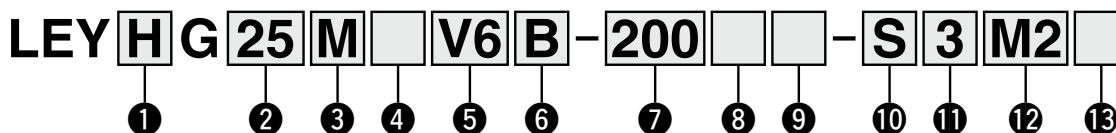
LEYG Series LEYG25, 32



* For details, refer to page 307 and onward.

LECS□ Series ▶ p. 139

How to Order



① Accuracy

Nil	Basic type
H	High-precision type

② Size

25
32

③ Bearing type

M	Sliding bearing
L	Ball bushing bearing

④ Motor mounting position

Nil	Top side parallel
D	In-line

⑤ Motor type

Symbol	Type	Output [W]	Actuator size	Compatible drivers
V6*1	AC servo motor (Absolute encoder)	100	25	LECYM2-V5 LECYU2-V5
V7		200	32	LECYM2-V7 LECYU2-V7

*1 For motor type V6, the compatible driver part number suffix is V5.

⑥ Lead [mm]

Symbol	LEYG25	LEYG32*1
A	12	16 (20)
B	6	8 (10)
C	3	4 (5)

*1 The values shown in () are the leads for the top side parallel motor type. (Equivalent leads which include the pulley ratio [1.25:1])

⑦ Stroke [mm]

30	30
to	to
300	300

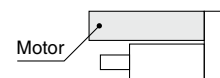
* For details, refer to the applicable stroke table below.

* There is a limit for mounting the size 32 top side parallel motor type and strokes of 50 mm or less. Refer to the dimensions.

⑧ Motor option

Nil	Without option
B	With lock

* When "With lock" is selected for the top side parallel motor type, the motor body will stick out from the end of the body for size 25 with strokes of 30 mm or less. Check for interference with workpieces before selecting a model.



⑨ Guide option

Nil	Without option
F	With grease retaining function

* Only available for the sliding bearing

⑩ Cable type*1

Nil	Without cable
S	Standard cable
R	Robotic cable (Flexible cable)

*1 A motor cable and encoder cable are included with the product.

The motor cable for lock option is included when the motor with lock option is selected.

⑪ Cable length [m]*1

Nil	Without cable
3	3
5	5
A	10
C	20

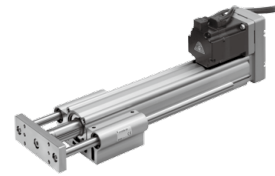
*1 The length of the motor and encoder cables are the same. (For with lock)

Applicable Stroke Table

Model	Stroke [mm]	●: Standard							Manufacturable stroke range
		30	50	100	150	200	250	300	
LEYG25		●	●	●	●	●	●	●	15 to 300
LEYG32		●	●	●	●	●	●	●	20 to 300

* Please contact SMC for non-standard strokes as they are produced as special orders.

For auto switches, refer to pages 105 to 107.



Motor mounting position: Parallel



Motor mounting position: In-line

12 Driver type

	Compatible drivers	Power supply voltage [V]
Nil	Without driver	—
M2	LECYM2-V□	200 to 230
U2	LECYU2-V□	200 to 230

* When a driver type is selected, a cable is included. Select the cable type and cable length.

13 I/O cable length [m]*1

	Without cable
Nil	Without cable
H	Without cable (Connector only)
1	1.5

*1 When "Nil: Without driver" is selected for the driver type, only "Nil: Without cable" can be selected. Refer to page 302 if an I/O cable is required. (Options are shown on page 302.)

Use of auto switches for the guide rod type LEYG series

- Auto switches must be inserted from the front side with the rod (plate) sticking out.
- Auto switches cannot be fixed with the parts hidden behind the guide attachment (the side of the rod that sticks out).
- Please contact SMC when using auto switches on the side of the rod that sticks out, as it is produced as a special order.

Compatible Drivers

Driver type	MECHATROLINK-II type	MECHATROLINK-III type
Series	LECYM	LECYU
Applicable network	MECHATROLINK-II	MECHATROLINK-III
Control encoder	Absolute 20-bit encoder	
Communication device	USB communication, RS-422 communication	
Power supply voltage [V]	200 to 230 VAC (50/60 Hz)	
Reference page	295	

Model Selection

LEYG

LEYG

LEYG

LEYG

LEYG-X7

LEYG-X5

25A-LEYG

JXC51/61

LECA6

LEC-G

LECP1

LECPA

JXC□

LECS□

LECY□

Specific Product Precautions

LEYG Series

AC Servo Motor

Specifications

Model		LEYG25 ^M V6 (Parallel) LEYG25 ^L DV6 (In-line)			LEYG32 ^M V7 (Parallel)			LEYG32 ^L DV7 (In-line)			
Actuator specifications	Work load [kg]	Horizontal ^{*1}	18	50	50	30	60	60	30	60	60
		Vertical	7	15	29	7	17	35	10	22	44
	Force [N] ^{*2} (Set value: 45 to 90%)		65 to 131	127 to 255	242 to 485	79 to 157	154 to 308	294 to 588	98 to 197	192 to 385	368 to 736
	Max. speed [mm/s]		900	450	225	1200	600	300	1000	500	250
	Pushing speed [mm/s] ^{*3}		35 or less			30 or less			30 or less		
	Max. acceleration/deceleration [mm/s ²]		5000			5000			5000		
	Positioning repeatability [mm]	Basic type	±0.02			±0.02			±0.02		
		High-precision type	±0.01			±0.01			±0.01		
	Lost motion [mm]	Basic type	0.1 or less			0.1 or less			0.1 or less		
		High-precision type	0.05 or less			0.05 or less			0.05 or less		
	Lead [mm] (including pulley ratio)		12	6	3	20	10	5	16	8	4
	Impact/Vibration resistance [m/s ²] ^{*4}		50/20			50/20			50/20		
	Actuation type		Ball screw + Belt [1:1]/Ball screw			Ball screw + Belt [1:1.25]			Ball screw		
	Guide type		Sliding bearing (LEYG□M), Ball bushing bearing (LEYG□L)								
Operating temperature range [°C]		5 to 40			5 to 40			5 to 40			
Operating humidity range [%RH]		90 or less (No condensation)			90 or less (No condensation)			90 or less (No condensation)			
Required conditions for the regenerative resistor ^{*5} [kg]	Horizontal	Not required			Not required			Not required			
	Vertical	5 or more			2 or more			2 or more			
Motor output/Size		100 W/□40			200 W/□60			200 W/□60			
Motor type		AC servo motor (200 VAC)			AC servo motor (200 VAC)			AC servo motor (200 VAC)			
Encoder		Absolute 20-bit encoder (Resolution: 1048576 p/rev)									
Power [W] ^{*6}		Max. power 445			Max. power 724			Max. power 724			
Type ^{*7}		Non-magnetizing lock			Non-magnetizing lock			Non-magnetizing lock			
Lock unit specifications	Holding force [N]		131	255	485	157	308	588	197	385	736
	Power at 20°C [W]		5.5			6			6		
	Rated voltage [V]		24 VDC ^{+10%} / ₀								

- *1 This is the max. value of the horizontal work load. An external guide is necessary to support the load (Friction coefficient of guide: 0.1 or less). The actual work load changes according to the condition of the external guide. Confirm the load using the actual device.
- *2 The force setting range (set values for the driver) for the force control with the torque control mode
Set it while referencing the "Force Conversion Graph" on page 123.
- *3 The allowable collision speed for collision with the workpiece with the torque control mode
- *4 Impact resistance: No malfunction occurred when the actuator was tested with a drop tester in both an axial direction and a perpendicular direction to the lead screw. (The test was performed with the actuator in the initial state.)

- Vibration resistance: No malfunction occurred in a test ranging between 45 to 2000 Hz. The test was performed in both an axial direction and a perpendicular direction to the lead screw. (The test was performed with the actuator in the initial state.)
- *5 The work load conditions which require the regenerative resistor when operating at the max. speed (Duty ratio: 100%).
Order the regenerative resistor separately. For details, refer to the "Required Conditions for the Regenerative Resistor (Guide)" on page 122.
- *6 Indicates the max. power during operation (including the driver)
When selecting the power supply capacity, refer to the power supply capacity in the operation manual of each driver.
- *7 Only when motor option "With lock" is selected

Weight

Product Weight: Top Side Parallel Motor Type

Series	LEYG25MV6							LEYG32MV7						
	Stroke [mm]	30	50	100	150	200	250	300	30	50	100	150	200	250
Weight [kg]	1.7	1.9	2.2	2.6	3.0	3.3	3.6	3.1	3.4	4.0	4.7	5.3	5.7	6.2

Series	LEYG25LV6							LEYG32LV7						
	Stroke [mm]	30	50	100	150	200	250	300	30	50	100	150	200	250
Weight [kg]	1.7	1.9	2.2	2.6	2.9	3.2	3.4	3.1	3.4	3.8	4.5	5.0	5.5	5.9

Product Weight: In-line Motor Type

Series	LEYG25MDV6							LEYG32MDV7						
	Stroke [mm]	30	50	100	150	200	250	300	30	50	100	150	200	250
Weight [kg]	1.7	1.9	2.2	2.6	3.0	3.3	3.6	3.2	3.4	4.0	4.7	5.3	5.8	6.2

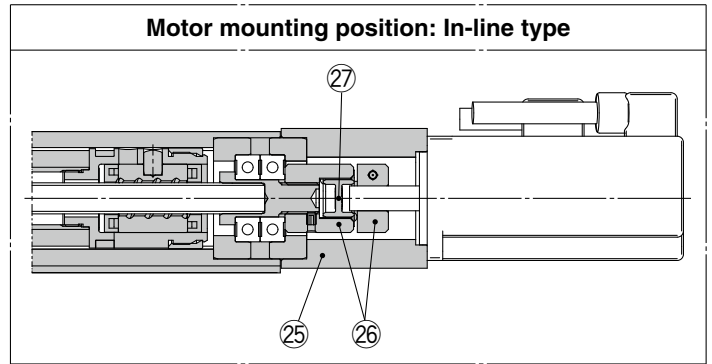
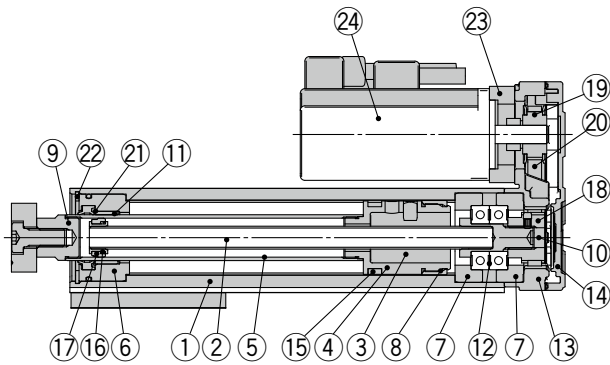
Series	LEYG25LDV6							LEYG32LDV7						
	Stroke [mm]	30	50	100	150	200	250	300	30	50	100	150	200	250
Weight [kg]	1.7	2.0	2.2	2.6	2.9	3.2	3.4	3.2	3.4	3.8	4.6	5.0	5.5	5.9

Additional Weight

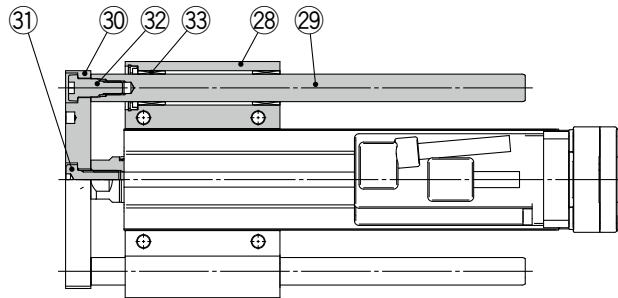
Size	25	32
Lock	0.3	0.6

Construction

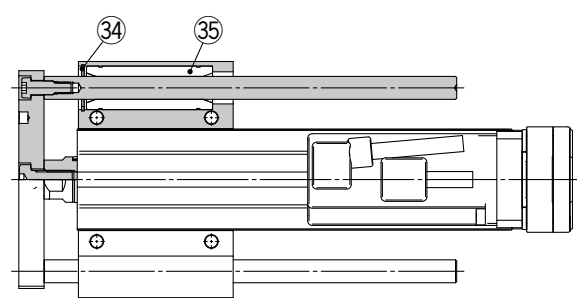
Motor mounting position: Top side parallel motor type



LEYG□M



LEYG□L



Component Parts

No.	Description	Material	Note
1	Body	Aluminum alloy	Anodized
2	Ball screw shaft	Alloy steel	
3	Ball screw nut	—	
4	Piston	Aluminum alloy	
5	Piston rod	Stainless steel	Hard chrome plating
6	Rod cover	Aluminum alloy	
7	Bearing holder	Aluminum alloy	
8	Rotation stopper	Synthetic resin	
9	Socket	Free cutting carbon steel	Nickel plating
10	Connected shaft	Free cutting carbon steel	Nickel plating
11	Bushing	Bearing alloy	
12	Bearing	—	
13	Return box	Aluminum die-cast	Coating
14	Return plate	Aluminum die-cast	Coating
15	Magnet	—	
16	Wear ring holder	Stainless steel	Stroke 101 mm or more
17	Wear ring	Synthetic resin	Stroke 101 mm or more
18	Screw shaft pulley	Aluminum alloy	

Support Block

Size	Order no.
25	LEYG-S025
32	LEYG-S032

* Two body mounting screws are included with the support block.

No.	Description	Material	Note
19	Motor pulley	Aluminum alloy	
20	Belt	—	
21	Seal	NBR	
22	Retaining ring	Steel for spring	Phosphate coating
23	Motor adapter	Aluminum alloy	Coating
24	Motor	—	
25	Motor block	Aluminum alloy	Coating
26	Hub	Aluminum alloy	
27	Spider	Urethane	Spider
28	Guide attachment	Aluminum alloy	Anodized
29	Guide rod	Carbon steel	
30	Plate	Aluminum alloy	Anodized
31	Plate mounting cap screw	Carbon steel	Nickel plating
32	Guide cap screw	Carbon steel	Nickel plating
33	Sliding bearing	Bearing alloy	
34	Retaining ring	Steel for spring	Phosphate coating
35	Ball bushing	—	

Replacement Parts/Belt

Size	Order no.
25	LE-D-2-2
32	LE-D-2-4

Model Selection

Step Motor (Servo/24 VDC)/Servo Motor (24 VDC)

LEYG

LEYG

LEYG

LEYG

LEYG

LEYG

LEYG

LEYG

LEYG

LEYG

LEYG

LEYG

LEYG

LEYG

LEYG

LEYG

LEYG

LEYG

LEYG

LEYG

LEYG

LEYG

LEYG

LEYG

LEYG

LEYG

LEYG

LEYG

LEYG

LEYG

LEYG

LEYG

LEYG

LEYG

LEYG

LEYG

LEYG

LEYG

LEYG

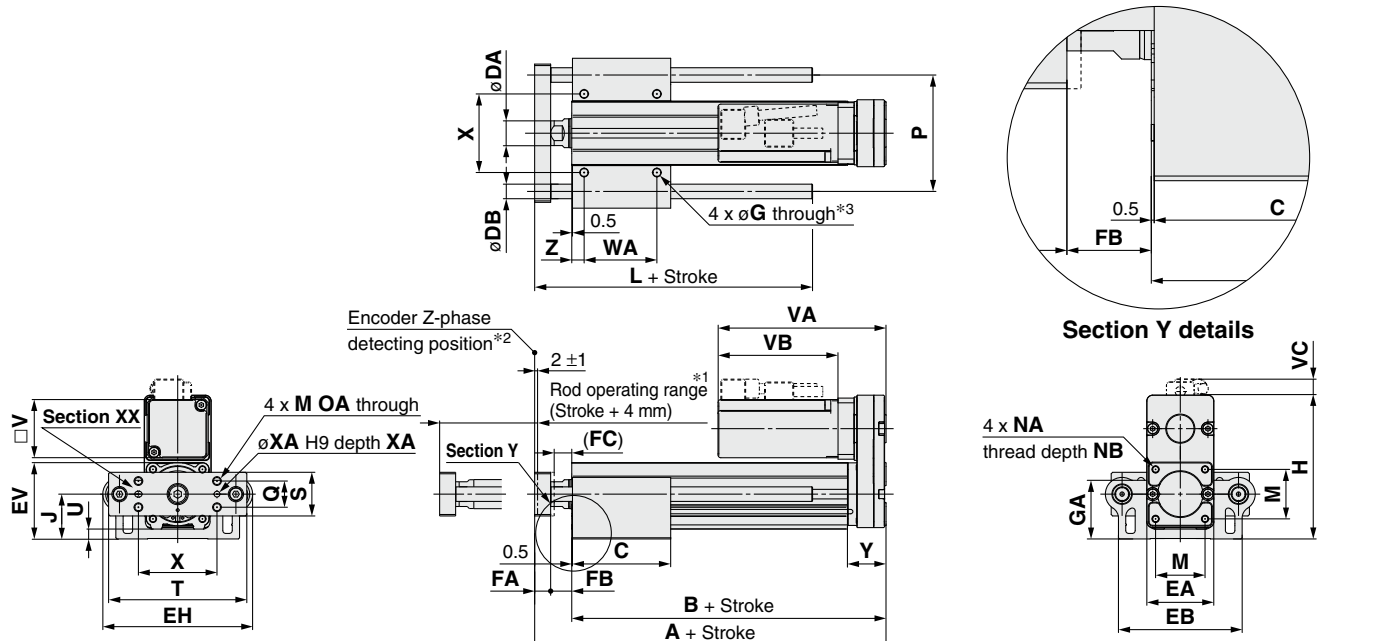
LEYG

LEYG

LEYG Series

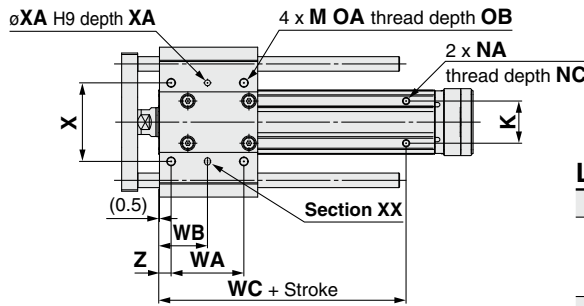
AC Servo Motor

Dimensions: Top Side Parallel Motor



- *1 This is the range within which the rod can move. Make sure that workpieces mounted on the rod do not interfere with other workpieces or the facilities around the rod.
- *2 The Z-phase first detecting position from the stroke end of the motor side
- *3 Through holes cannot be used for size 32 with strokes of 50 mm or less.

Size	Stroke range [mm]	L	DB
25	15 to 110	91	10
	115 to 190	115	
	195 to 300	133	
32	20 to 110	97.5	13
	115 to 190	116.5	
	195 to 300	134	



Size	Stroke range (mm)	L	DB
25	15 to 55	67.5	12
	60 to 185	100.5	
	190 to 300	138	
32	20 to 55	74	16
	60 to 185	107	
	190 to 300	144	

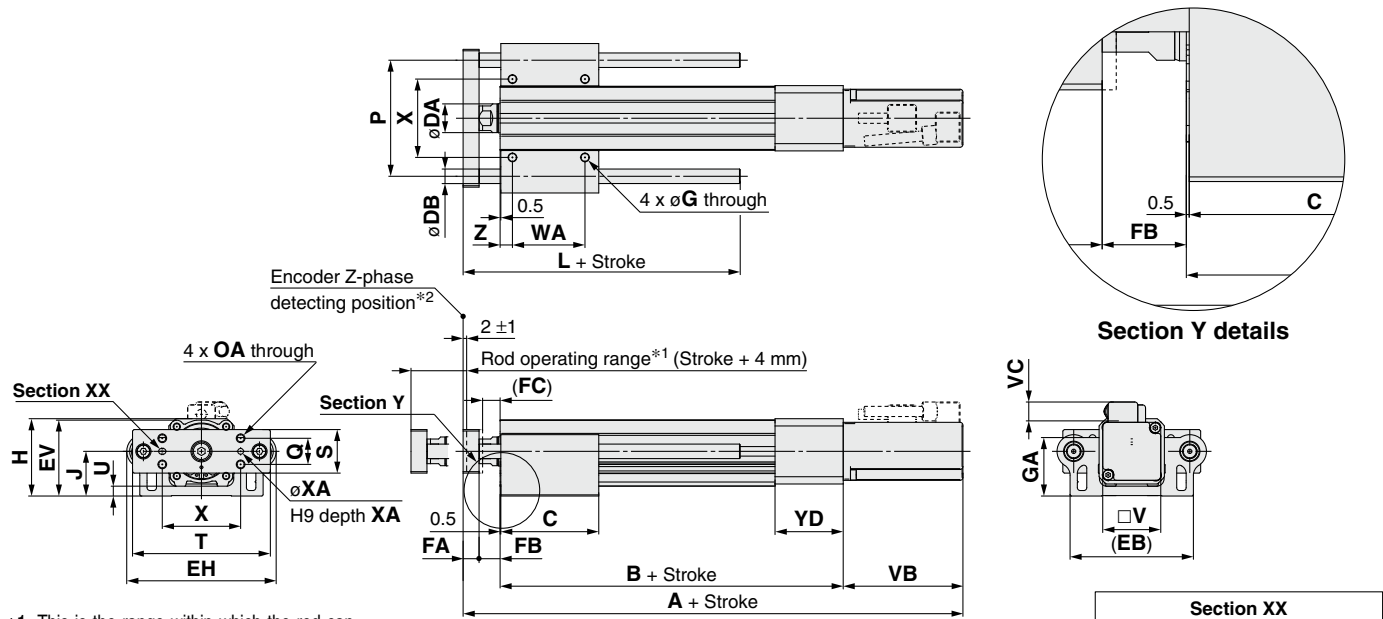
LEYG□M, LEYG□L Common

Size	Stroke range [mm]	A	B	C	DA	EA	EB	EH	EV	FA	FB	FC	G	GA	H	J	K	M	NA	NB	NC
25	15 to 35	141.5	116	50	20	46	85	103	52.3	11	14.5	12.5	5.4	40.3	98.8	30.8	29	34	M5 x 0.8	8	6.5
	40 to 100			67.5																	
	105 to 120			84.5																	
	125 to 200			102																	
32	20 to 35	160.5	130	55	25	60	101	123	63.8	12	18.5	16.5	5.4	50.3	125.3	38.3	30	40	M6 x 1.0	10	8.5
	40 to 100			68																	
	105 to 120			85																	
	125 to 200			102																	

Size	Stroke range [mm]	OA	OB	P	Q	S	T	U	V	WA	WB	WC	X	XA	XB	Y	Z
25	15 to 35	M6 x 1.0	12	80	18	30	95	6.8	40	35	26	70	54	4	5	26.5	8.5
	40 to 100									50	33.5						
	105 to 120									70	43.5	95					
	125 to 200									85	51						
32	20 to 35	M6 x 1.0	12	95	28	40	117	7.3	60	40	28.5	75	64	5	6	34	8.5
	40 to 100									50	33.5						
	105 to 120									70	43.5	105					
	125 to 200									85	51						

Size	Without lock			With lock		
	VA	VB	VC	VA	VB	VC
25	115.5	82.5	11	160.5	127.5	11
32	120	80	14	160	120	14

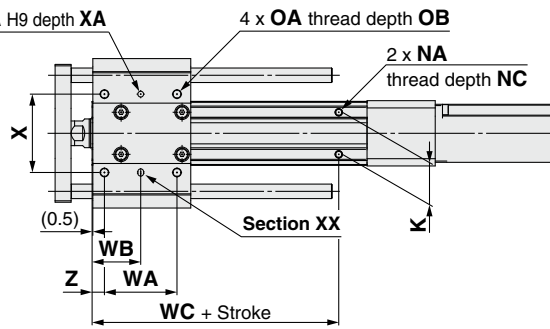
Dimensions: In-line Motor



- *1 This is the range within which the rod can move. Make sure that workpieces mounted on the rod do not interfere with other workpieces or the facilities around the rod.
- *2 The Z-phase first detecting position from the stroke end of the motor side

LEYG□L (Ball bushing bearing) [mm]

Size	Stroke range [mm]	L	DB
25	15 to 110	91	10
	115 to 190	115	
	195 to 300	133	
32	20 to 110	97.5	13
	115 to 190	116.5	
	195 to 300	134	



LEYG□M (Sliding bearing) [mm]

Size	Stroke range [mm]	L	DB
25	15 to 55	67.5	12
	60 to 185	100.5	
	190 to 300	138	
32	20 to 55	74	16
	60 to 185	107	
	190 to 300	144	

LEYG□M, LEYG□L Common

Size	Stroke range [mm]	B	C	DA	EB	EH	EV	FA	FB	FC	G	GA	H	J	K	NA	NC
25	15 to 35	136.5	50	20	85	103	52.3	11	14.5	12.5	5.4	40.3	53.3	30.8	29	M5 x 0.8	6.5
	40 to 100		67.5														
	105 to 120	161.5	84.5														
	125 to 200		102														
32	20 to 35	156	55	25	101	123	63.8	12	18.5	16.5	5.4	50.3	68.3	38.3	30	M6 x 1.0	8.5
	40 to 100		68														
	105 to 120	186	85														
	125 to 200		102														

Size	Stroke range [mm]	OA	OB	P	Q	S	T	U	V	WA	WB	WC	X	XA	XB	YD	Z
25	15 to 35	M6 x 1.0	12	80	18	30	95	6.8	40	35	26	70	54	4	5	47	8.5
	40 to 100									50	33.5						
	105 to 120									70	43.5						
	125 to 200									85	51						
32	20 to 35	M6 x 1.0	12	95	28	40	117	7.3	60	40	28.5	75	64	5	6	60	8.5
	40 to 100									50	33.5						
	105 to 120									70	43.5						
	125 to 200									85	51						

Size	Stroke range [mm]	Without lock			With lock		
		A	VB	VC	A	VB	VC
25	15 to 100	255.5	82.5	11.5	300.5	127.5	11.5
	105 to 300	280.5			325.5		
32	15 to 100	266.5	80	14	306.5	120	14
	105 to 300	296.5			336.5		

Model Selection

Step Motor (Servo/24 VDC)/Servo Motor (24 VDC)
LEYG

AC Servo Motor
LEYG

Environment
LEYG-X7
LEYG-X5
25A-LEYG

JXC51/61
LECA6
LEC-G
LECP1

Step Motor (Servo/24 VDC)/Servo Motor (24 VDC)
LECPA
JXC□

AC Servo Motor
LECS□
LECY□

Specific Product Precautions

LEYG Series

AC Servo Motor

Support Block

● Guide for support block application

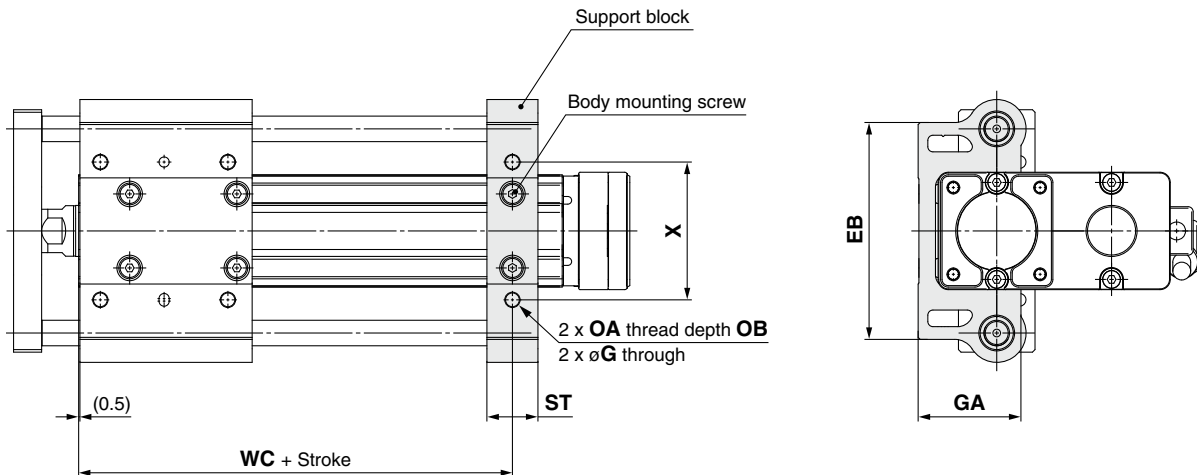
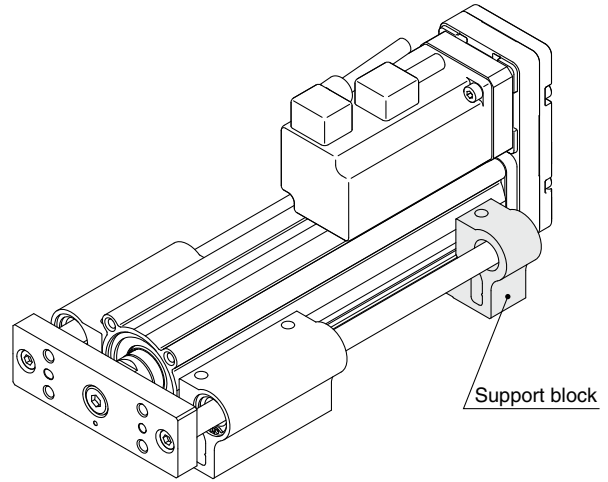
When the stroke exceeds 100 mm and the mounting orientation is horizontal, the body will be bent. Mounting the support block is recommended. (Please order it separately from the models shown below.)

Support Block Model

LEYG-S 025

● Size

025	For size 25
032	For size 32



⚠ Caution

Do not install the body using only a support block.
The support block should be used only for support.

[mm]										
Size	Model	Stroke range	EB	G	GA	OA	OB	ST	WC	X
25	LEYG-S025	15 to 100	85	5.4	40.3	M6 x 1.0	12	20	70	54
		105 to 300							95	
32	LEYG-S032	20 to 100	101	5.4	50.3	M6 x 1.0	12	22	75	64
		105 to 300							105	

* Two body mounting screws are included with the support block.

* The through holes of the LEYG-S032 cannot be used for the top side parallel motor type. Use taps on the bottom.

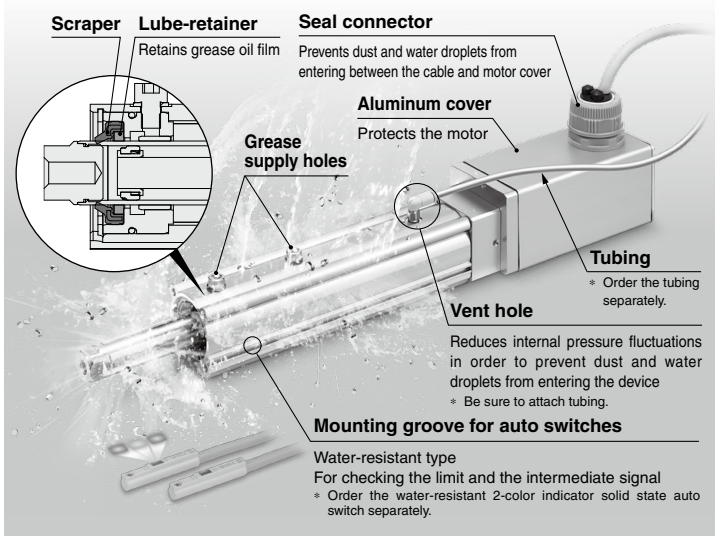
Environment

Dust-tight/Water-jet-proof (IP65 Equivalent/IP67 Equivalent)

LEY-X7 (Made to Order) Size 25, 32, 40

Step Motor (Servo/24 VDC) Servo Motor (24 VDC)

p. 163



● **Max. stroke: 500 mm***1

*1 For sizes 32 and 40

Secondary Battery Compatible

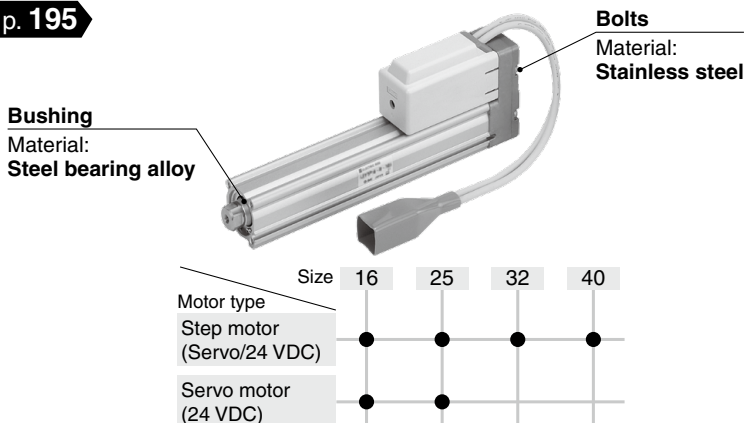
● **Copper (Cu) and zinc (Zn) free***1

*1 Excludes motors, cables, controllers/drivers

Rod Type/25A-LEY

Step Motor (Servo/24 VDC) Servo Motor (24 VDC)

p. 195



* Copper and zinc materials are used for the motors, cables, controllers/drivers.

Dust-tight/Water-jet-proof (IP65 Equivalent)

LEY-X5 (Made to Order) Size 25, 32

Step Motor (Servo/24 VDC)

Servo Motor (24 VDC)

p. 173



AC Servo Motor (100/200 W)

pp. 181, 187



LEY63□□□□-□P Size 63

AC Servo Motor (400 W) p. 79

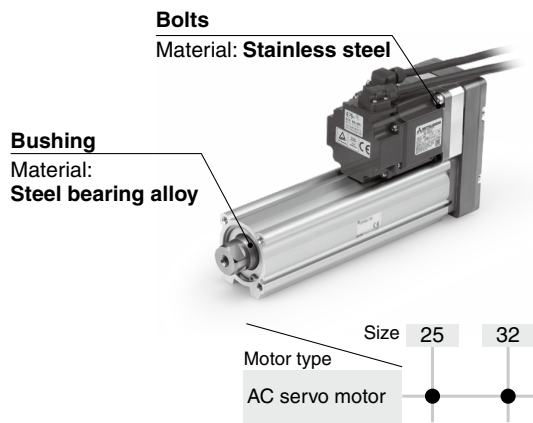
* Option



● **Compatible with dew points as low as -70°C**

Uses grease compatible with low dew points

AC Servo Motor pp. 199, 201



Model Selection

LEY

LEYG

LEY

LEYG

LEY-X7

LEY-X5

25A-LEY

JXC51/61

LECA6

LECG

LECP1

LECPA

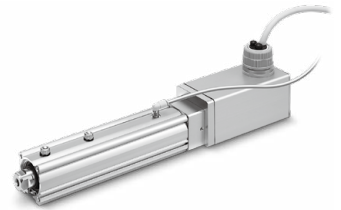
JXC□

LECS□

LECY□

Specific Product Precautions

Model Selection



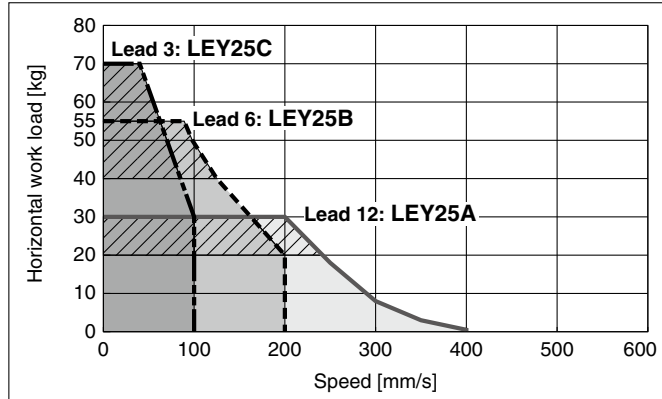
Refer to page 156 for the LECPA, JXC□₃² and page 157 for the LECA6.

LEY-X7 Series ▶ p. 163

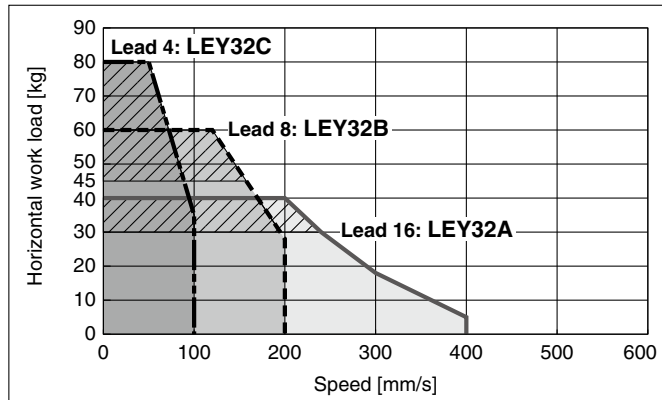
Speed-Work Load Graph (Guide) For Step Motor (Servo/24 VDC) JXC□1, LECP1

Horizontal

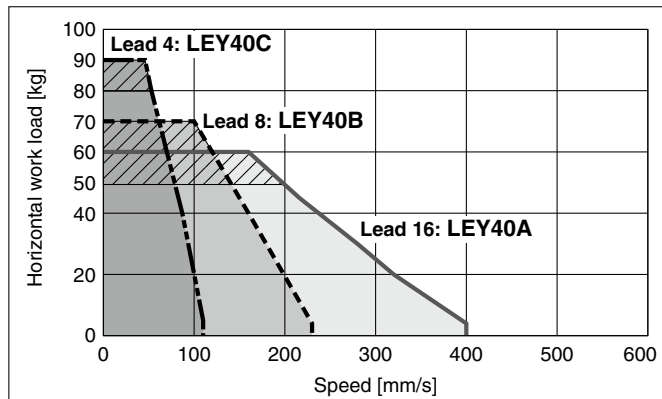
LEY25□-X7 for acceleration/deceleration: 2000 mm/s²



LEY32□-X7 for acceleration/deceleration: 2000 mm/s²

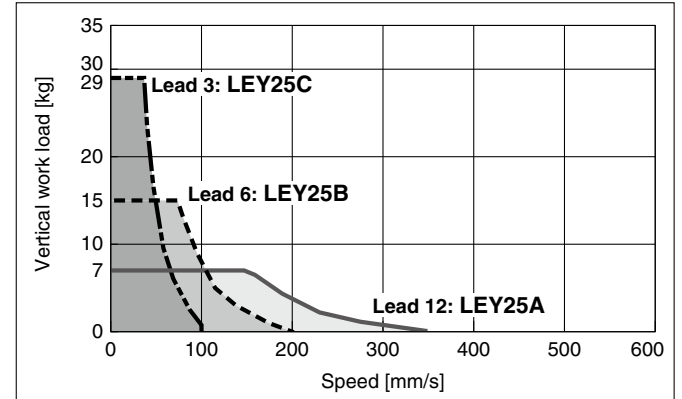


LEY40□-X7 for acceleration/deceleration: 2000 mm/s²

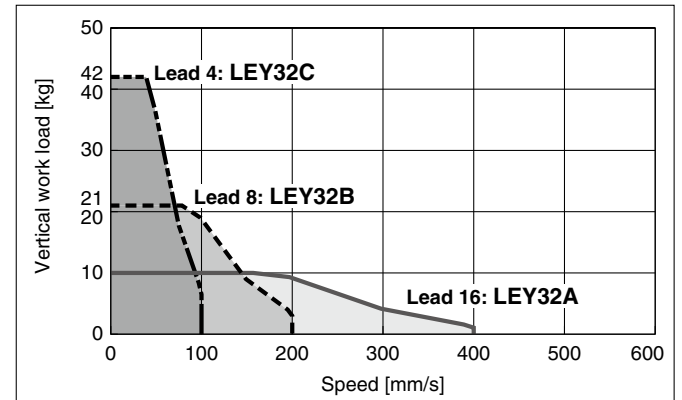


Vertical

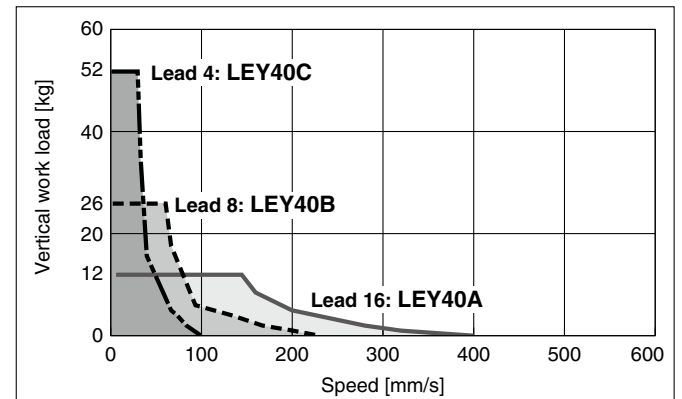
LEY25□-X7



LEY32□-X7




LEY40□-X7

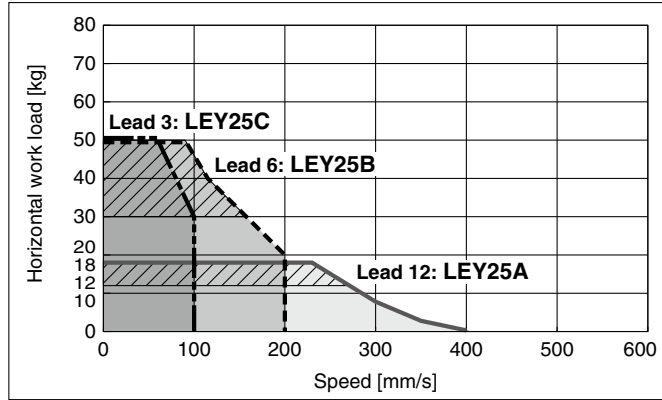


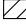
Refer to page 155 for the JXC□1, LECPC1 and page 157 for the LECA6.

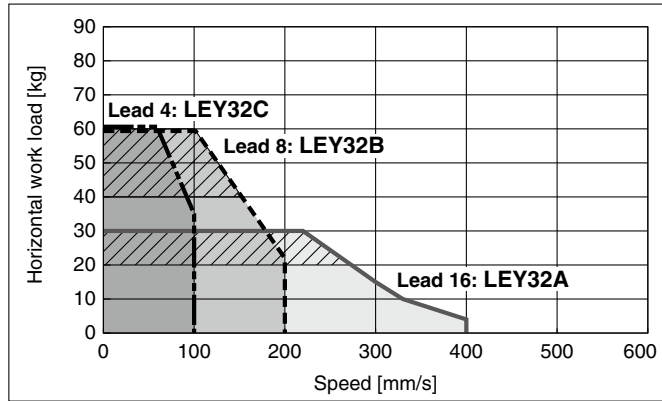
Speed-Work Load Graph (Guide) For Step Motor (Servo/24 VDC) LECPA, JXC□₂

Horizontal

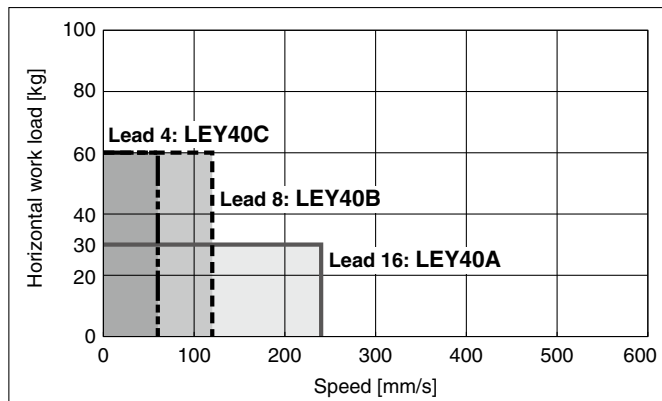
LEY25□-X7  for acceleration/deceleration: 2000 mm/s²



LEY32□-X7  for acceleration/deceleration: 2000 mm/s²

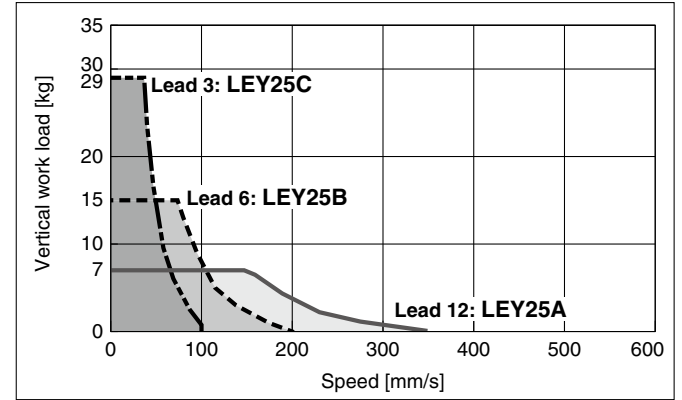


LEY40□-X7

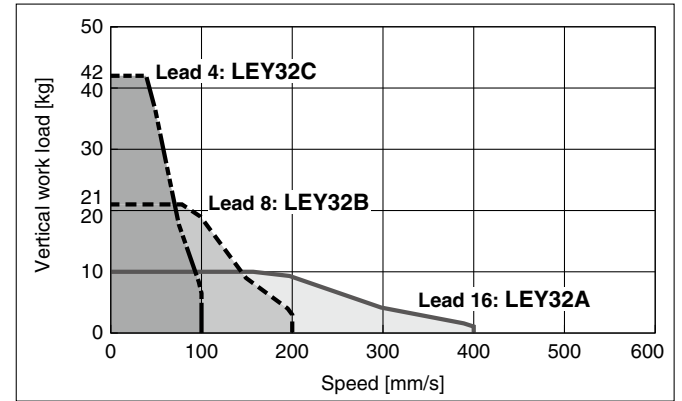


Vertical

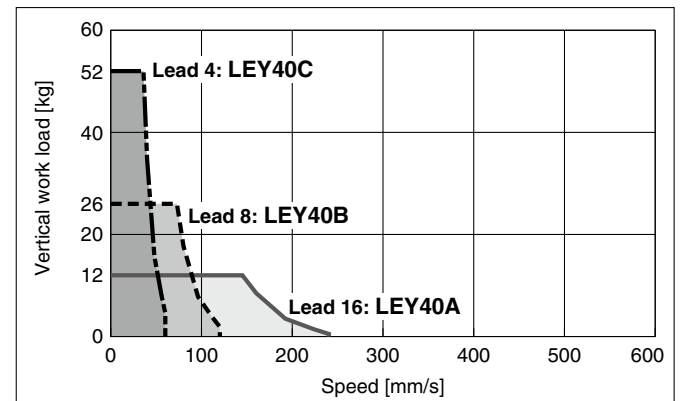
LEY25□-X7



LEY32□-X7



LEY40□-X7



Model Selection

LEY

LEYG

LEY

LEYG

LEY

LEYG

LEY

LEYG

Environment

LEY-X7

25A-LEY

LEY-X5

JXC51/61

LEYA6

LECG

LECP1

LECPA

JXC□

LECS□

LECY□

Specific Product Precautions

LEY-X7 Series

Step Motor (Servo/24 VDC)

Servo Motor (24 VDC)

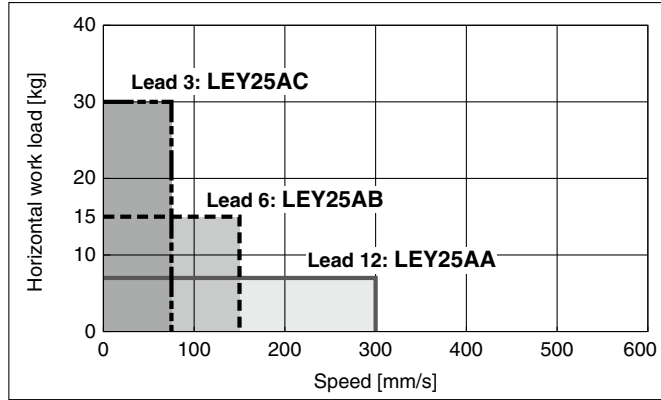
Dust-tight/Water-jet-proof (IP65 Equivalent/IP67 Equivalent)

Refer to page 155 for the JXC□1, LEC□1 and page 156 for the LEC□2, JXC□3.

Speed-Work Load Graph (Guide) For Servo Motor (24 VDC) LECA6

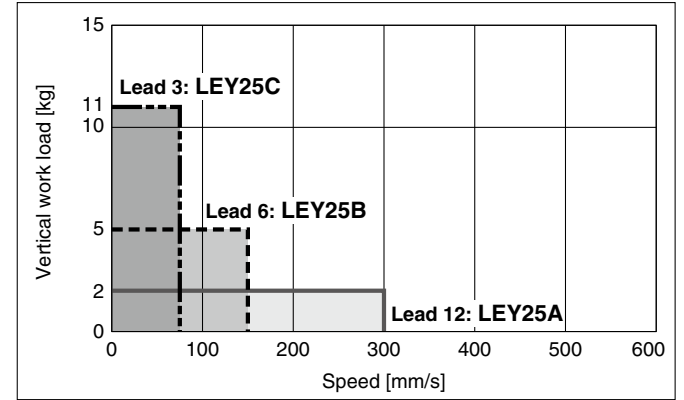
Horizontal

LEY25□A-X7



Vertical

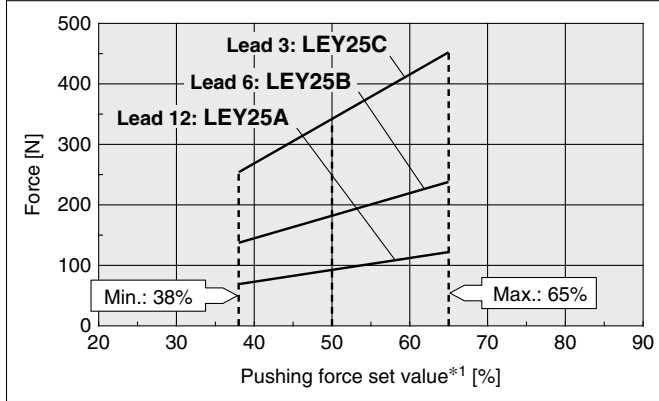
LEY25□A-X7



Force Conversion Graph

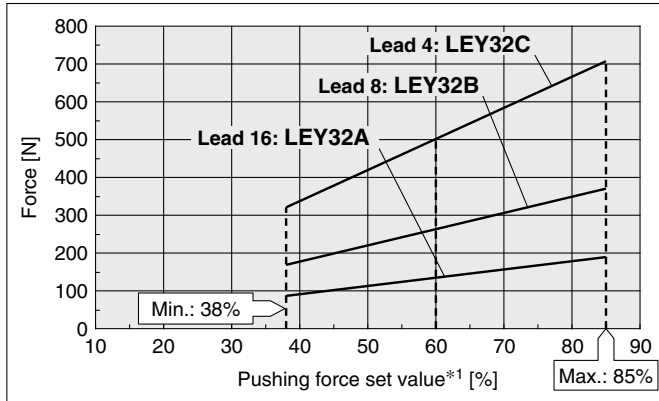
Step Motor (Servo/24 VDC)

LEY25□-X7



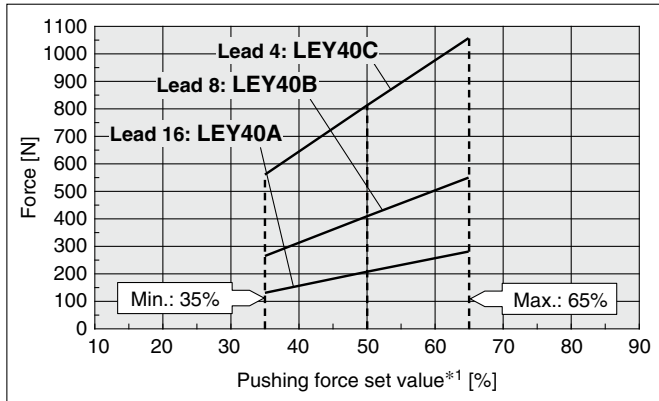
Ambient temperature	Pushing force set value*1 [%]	Duty ratio [%]	Continuous pushing time [min]
40°C or less	65 or less	100	—

LEY32□-X7



Ambient temperature	Pushing force set value*1 [%]	Duty ratio [%]	Continuous pushing time [min]
25°C or less	85 or less	100	—
40°C	65 or less	100	—
	85	50	15 or less

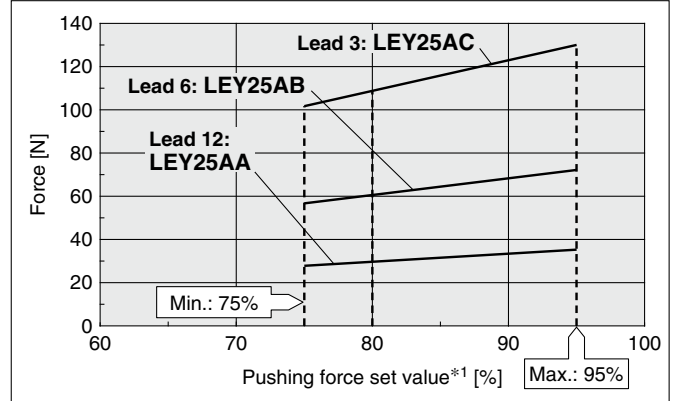
LEY40□-X7



Ambient temperature	Pushing force set value*1 [%]	Duty ratio [%]	Continuous pushing time [min]
40°C or less	65 or less	100	—

Servo Motor (24 VDC)

LEY25□A-X7



Ambient temperature	Pushing force set value*1 [%]	Duty ratio [%]	Continuous pushing time [min]
40°C or less	95 or less	100	—

<Limit Values for Pushing Force and Trigger Level in Relation to Pushing Speed> Without Load

Model	Lead	Pushing speed [mm/s]	Pushing force (Setting input value)	Model	Lead	Pushing speed [mm/s]	Pushing force (Setting input value)
LEY25	A/B/C	21 to 35	50 to 65%	LEY25□A	A/B/C	21 to 35	80 to 95%
	A	24 to 30	60 to 85%				
LEY32	B/C	21 to 30	60 to 85%				
	A	24 to 30	50 to 65%				
LEY40	B/C	21 to 30	50 to 65%				

There is a limit to the pushing force in relation to the pushing speed. If the product is operated outside of the range (low pushing force), the completion signal [INP] may be output before the pushing operation has been completed (during the moving operation). If operating with the pushing speed below the min. speed, please check for operating problems before using the product.

<Set Values for Vertical Upward Transfer Pushing Operations>

For vertical loads (upward), set the pushing force to the max. value shown below and operate at the work load or less.

Model	LEY25□			LEY32□			LEY40□			LEY25□A		
	A	B	C	A	B	C	A	B	C	A	B	C
Work load [kg]	2.5	5	10	4.5	9	18	7	14	28	1.2	2.5	5
Pushing force	65%			85%			65%			95%		

*1 Set values for the controller

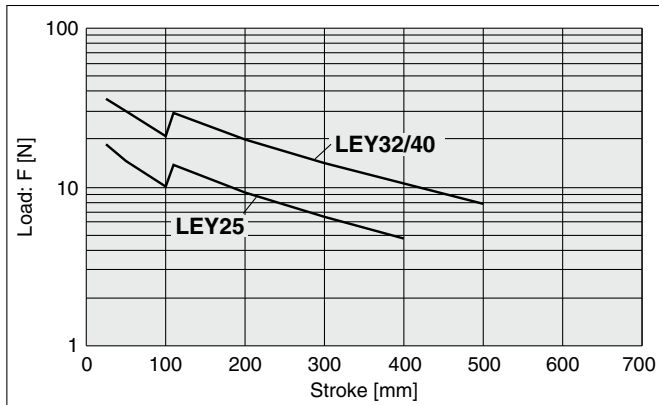
LEY-X7 Series

Step Motor (Servo/24 VDC)

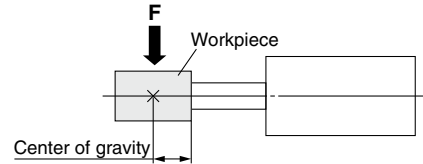
Servo Motor (24 VDC)

Dust-tight/Water-jet-proof (IP65 Equivalent/IP67 Equivalent)

Graph of Allowable Lateral Load on the Rod End (Guide)



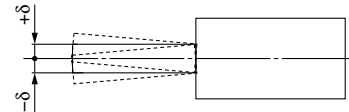
[Stroke] = [Product stroke] + [Distance from the rod end to the center of gravity of the workpiece]



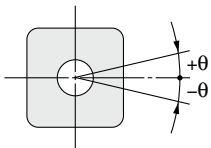
Rod Displacement: δ [mm]

Stroke \ Size	30	50	100	150	200	250	300	350	400	450	500
25	±0.3	±0.4	±0.7	±0.7	±0.9	±1.1	±1.3	±1.5	±1.7	—	—
32/40	±0.3	±0.4	±0.7	±0.6	±0.8	±1.0	±1.1	±1.3	±1.5	±1.7	±1.8

* The values without a load are shown.



Non-rotating Accuracy of Rod

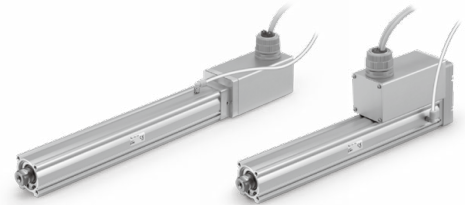


Size	Non-rotating accuracy θ
25	±0.8°
32/40	±0.7°

* Avoid using the electric actuator in such a way that rotational torque would be applied to the piston rod.

This may cause the deformation of the non-rotating guide, abnormal auto switch responses, play in the internal guide, or an increase in the sliding resistance.

Model Selection



LEY-X5 Series ▶ p. 173

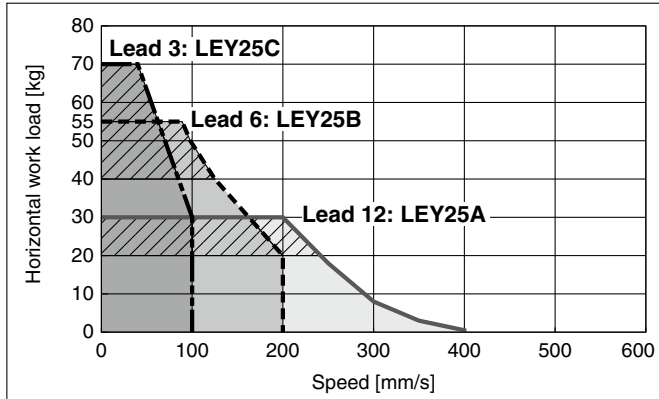
Refer to page 161 for the LECPA, JXC $\frac{1}{3}$, and LECA6.

Speed-Work Load Graph (Guide) for Step Motor (Servo/24 VDC) JXC $\frac{1}{1}$, LECP1

Horizontal

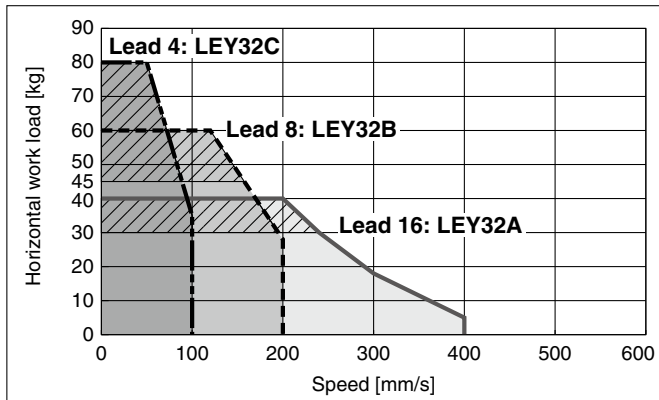
LEY25 \square -X5

for acceleration/deceleration: 2000 mm/s²



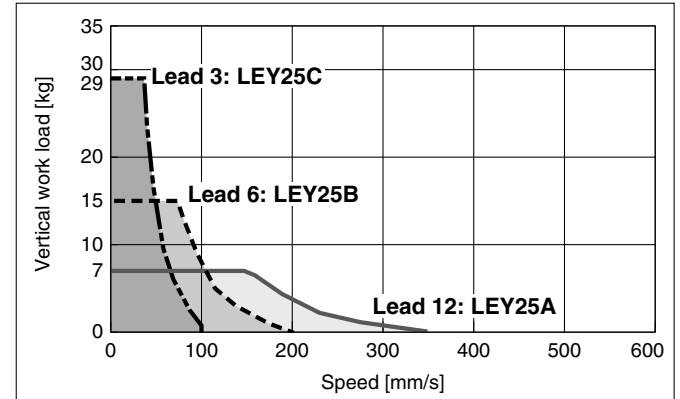
LEY32 \square -X5

for acceleration/deceleration: 2000 mm/s²

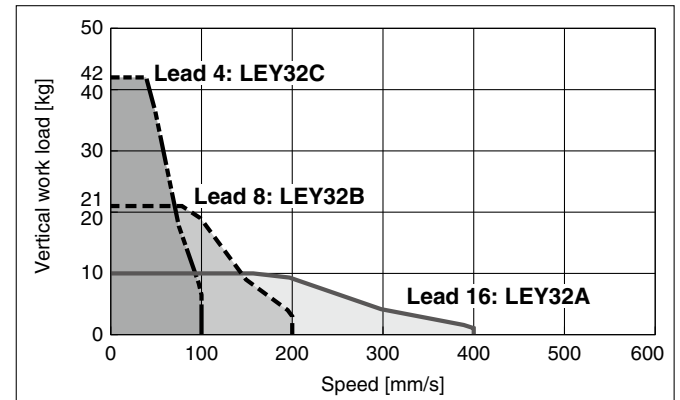


Vertical

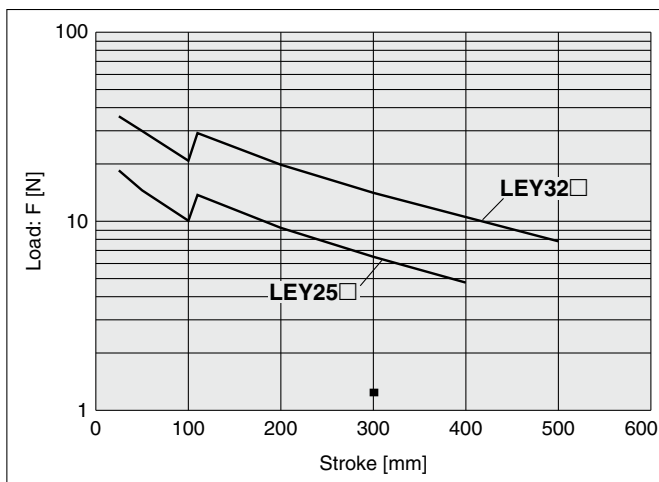
LEY25 \square -X5



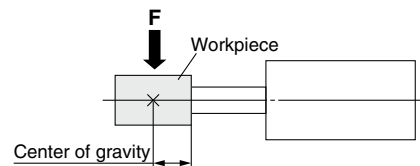
LEY32 \square -X5



Graph of Allowable Lateral Load on the Rod End (Guide)



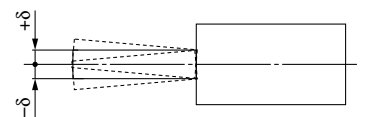
[Stroke] = [Product stroke] + [Distance from the rod end to the center of gravity of the workpiece]



Rod Displacement: δ [mm]

Stroke \ Size	30	50	100	150	200	250	300	350	400	450	500
25	±0.3	±0.4	±0.7	±0.7	±0.9	±1.1	±1.3	±1.5	±1.7	—	—
32	±0.3	±0.4	±0.7	±0.6	±0.8	±1.0	±1.1	±1.3	±1.5	±1.7	±1.8

* The values without a load are shown.



Model Selection

LEY

LEYG

LEY

LEYG

LEY

LEYG

LEY-X7

LEY-X5

25A-LEY

JXC51/61

LECA6

LEC-G

LECP1

JXC $\frac{1}{3}$

LECS $\frac{1}{3}$

Specific Product Precautions

Step Motor (Servo/24 VDC)/Servo Motor (24 VDC)

AC Servo Motor

Environment

Step Motor (Servo/24 VDC)/Servo Motor (24 VDC)

AC Servo Motor

LEY-X5 Series

Step Motor (Servo/24 VDC)

Servo Motor (24 VDC)

Dust-tight/Water-jet-proof (IP65 Equivalent)

Refer to page 160 for the JXC□1, LECP1 and below for the LECA6.

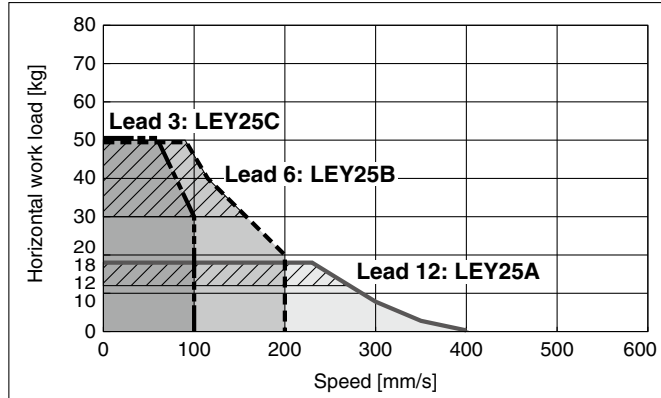
Speed-Work Load Graph (Guide)

For Step Motor (Servo/24 VDC) LECPA, JXC□₂₃

Horizontal

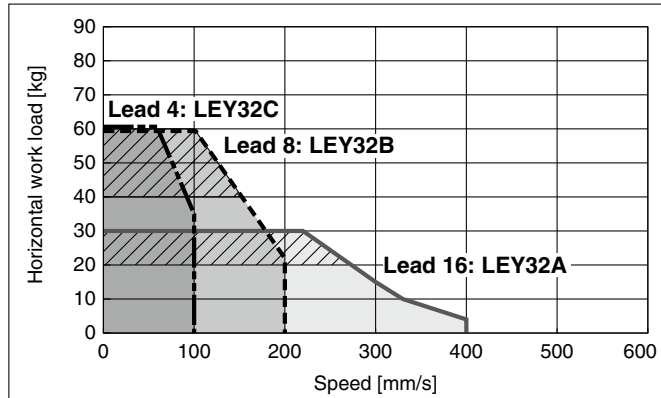
LEY25□-X5

▨ for acceleration/deceleration: 2000 mm/s²



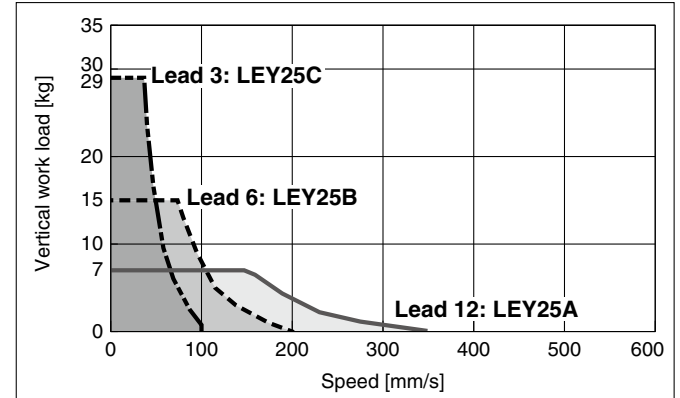
LEY32□-X5

▨ for acceleration/deceleration: 2000 mm/s²

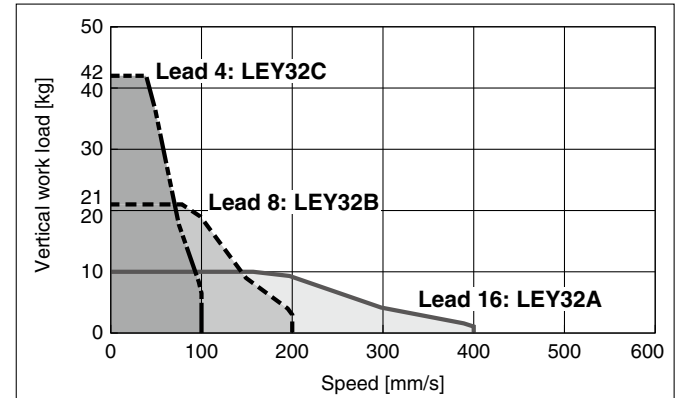


Vertical

LEY25□-X5



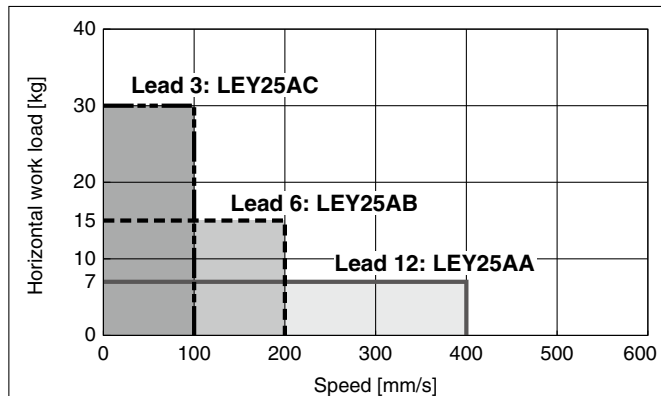
LEY32□-X5



For Servo Motor (24 VDC) LECA6

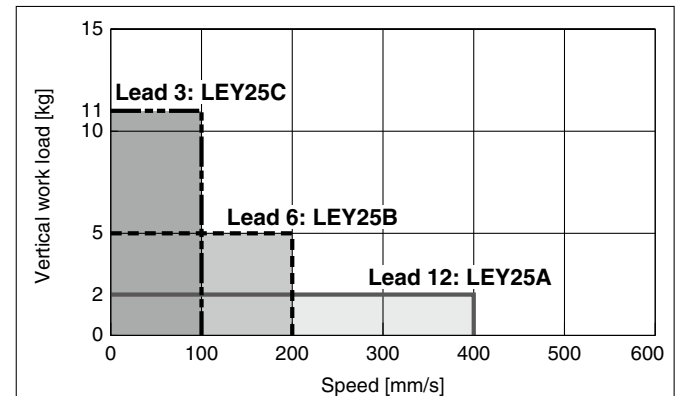
Horizontal

LEY25□A-X5



Vertical

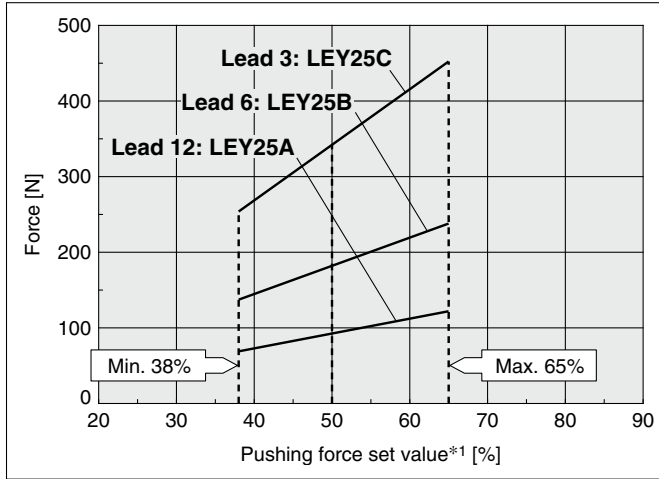
LEY25□A-X5



Force Conversion Graph

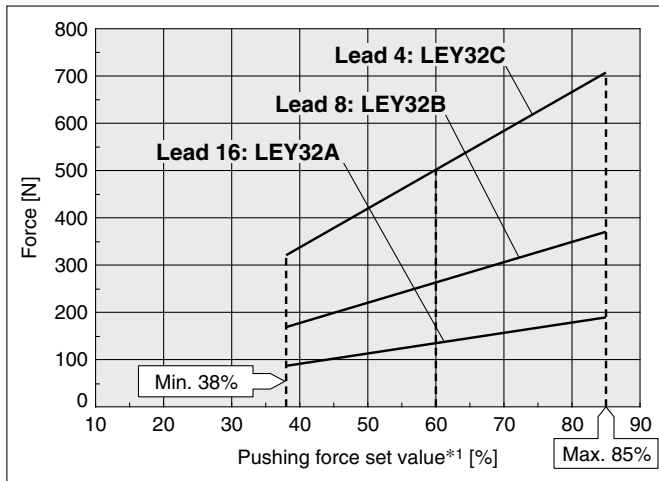
Step Motor (Servo/24 VDC)

LEY25□-X5



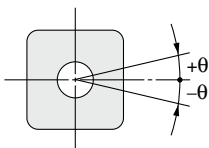
Ambient temperature	Pushing force set value*1 [%]	Duty ratio [%]	Continuous pushing time [min]
40°C or less	65 or less	100	—

LEY32□-X5



Ambient temperature	Pushing force set value*1 [%]	Duty ratio [%]	Continuous pushing time [min]
25°C or less	85 or less	100	—
40°C	65 or less	100	—
	85	50	15 or less

Non-rotating Accuracy of Rod

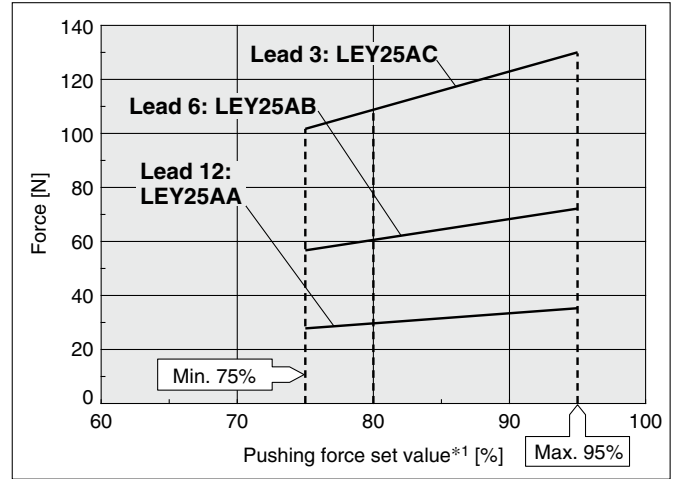


Size	Non-rotating accuracy θ
25	$\pm 0.8^\circ$
32	$\pm 0.7^\circ$

* Avoid using the electric actuator in such a way that rotational torque would be applied to the piston rod. Failure to do so may result in the deformation of the non-rotating guide, abnormal auto switch responses, play in the internal guide, or an increase in the sliding resistance.

Servo Motor (24 VDC)

LEY25□A-X5



Ambient temperature	Pushing force set value*1 [%]	Duty ratio [%]	Continuous pushing time [min]
40°C or less	95 or less	100	—

<Limit Values for Pushing Force and Trigger Level in Relation to Pushing Speed> Without Load

Model	Lead	Pushing speed [mm/s]	Pushing force (Setting input value)	Model	Lead	Pushing speed [mm/s]	Pushing force (Setting input value)
LEY25	A/B/C	21 to 35	50 to 65%	LEY25□A	A/B/C	21 to 35	80 to 95%
	A	24 to 30			B/C	21 to 30	
LEY32	B/C	21 to 30	60 to 85%				

There is a limit to the pushing force in relation to the pushing speed. If the product is operated outside of the range (low pushing force), the completion signal [INP] may be output before the pushing operation has been completed (during the moving operation). If operating with the pushing speed below the min. speed, please check for operating problems before using the product.

<Set Values for Vertical Upward Transfer Pushing Operations>

For vertical loads (upward), set the pushing force to the max. value shown below and operate at the work load or less.

Model	LEY25□			LEY32□			LEY25□A		
	A	B	C	A	B	C	A	B	C
Work load [kg]	2.5	5	10	4.5	9	18	1.2	2.5	5
Pushing force	65%			85%			95%		

*1 Set values for the controller

Electric Actuator Rod Type

Dust-tight/Water-jet-proof (IP65 Equivalent/IP67 Equivalent)



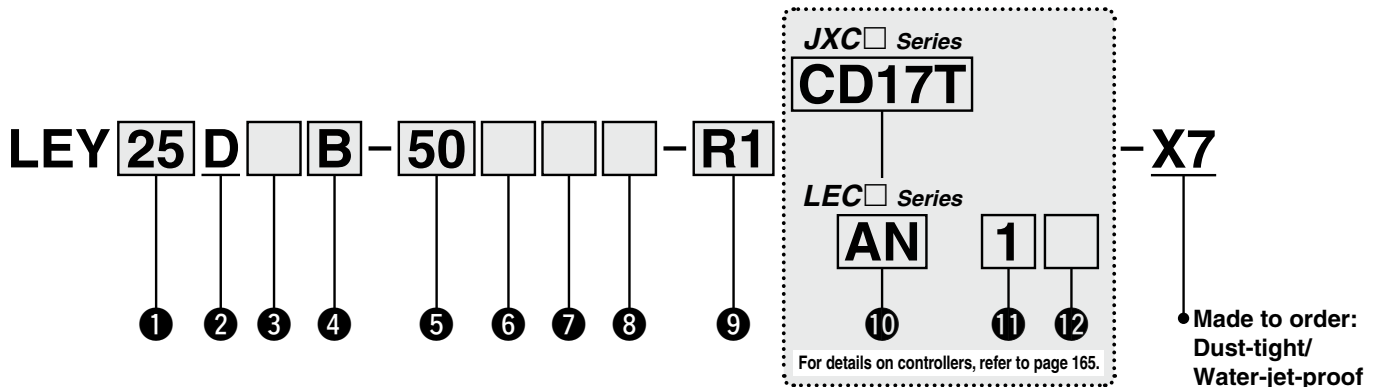
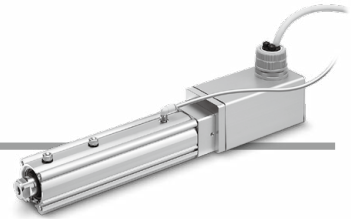
* For details, refer to page 307 and onward.

LEY-X7 (Made to Order) Series LEY25, 32, 40



Refer to pages 155 to 159 for model selection.

How to Order



1 Size

25
32/40

2 Motor mounting position

D	In-line
---	---------

3 Motor type

Symbol	Type	Size		Compatible controllers/ drivers
		25	32/40	
Nil	Step motor (Servo/24 VDC)	●	●	JXC51 JXCEF JXC61 JXC9F JXC91 JXCPF JXC91 JXCLF JXCP1 JXCD1 LEC P1 JXCL1 LEC P A JXCM1
A	Servo motor (24 VDC)	●	—	LECA6

4 Lead [mm]

Symbol	LEY25	LEY32/40
A	12	16
B	6	8
C	3	4

5 Stroke [mm]

30	30
to	to
500	500

* For details, refer to the applicable stroke table below.

6 Motor option

Nil	Without option
B	With lock

7 Rod end thread

Nil	Rod end female thread
M	Rod end male thread (1 rod end nut is included.)

8 Mounting*2

Symbol	Type	Motor mounting position
		In-line
Nil	Ends tapped/ Body bottom tapped*3	●
F	Rod flange*3	●

9 Actuator cable type/length

Robotic cable [m]			
R1	1.5	RA	10*5
R3	3	RB	15*5
R5	5	RC	20*5
R8	8*5		

Applicable Stroke Table*1

Model	Stroke [mm]	30	50	100	150	200	250	300	350	400	450	500	Manufacturable stroke range
		●	●	●	●	●	●	●	●	●	—	—	
LEY25		●	●	●	●	●	●	●	●	●	—	—	30 to 400
LEY32/40		●	●	●	●	●	●	●	●	●	●	●	30 to 500

●: Standard

* For auto switches, refer to pages 170 and 171.
* "-X7" is not added to an actuator model with a controller/driver part number suffix.
Example) "LEY25DB-100" for the LEY25DB-100BM-R1AN1-X7

Electric Actuator Rod Type **LEY-X7 Series**

Step Motor (Servo/24 VDC)

Servo Motor (24 VDC)

Dust-tight/Water-jet-proof (IP65 Equivalent/IP67 Equivalent)

JXC Series (For details, refer to page 165.)

10 Controller

Nil	Without controller
C□1□□	With controller

C D 1 7 T

Interface (Communication protocol/Input/Output)

Symbol	Type	Number of axes, Special specification	
		Standard	With STO sub-function
5	Parallel input (NPN)	●	
6	Parallel input (PNP)	●	
E	EtherCAT	●	●
9	EtherNet/IP™	●	●
P	PROFINET	●	●
D	DeviceNet®	●	
L	IO-Link	●	●
M	CC-Link	●	

Mounting

7	Screw mounting
8*10	DIN rail

Number of axes, Special specification

Symbol	Number of axes	Specification
1	Single axis	Standard
F	Single axis	With STO sub-function

Communication plug connector, I/O cable*11

Symbol	Type	Applicable interface
Nil	Without accessory	—
S	Straight type communication plug connector	DeviceNet™ CC-Link Ver. 1.10
T	T-branch type communication plug connector	Parallel input (NPN) Parallel input (PNP)
1	I/O cable (1.5 m)	
3	I/O cable (3 m)	
5	I/O cable (5 m)	

LEC Series (For details, refer to page 165.)

A N 1

10 11 12

10 Controller/Driver type*6

Nil	Without controller/driver	
6N	LECA6	NPN
6P	(Step data input type)	PNP
1N	LECP1	NPN
1P	(Programless type)	PNP
AN	LECPA*7	NPN
AP	(Pulse input type)	PNP

11 I/O cable length*8, Communication plug

Nil	Without cable	
1	1.5 m	
3	3 m*9	
5	5 m*9	

12 Controller/Driver mounting

Nil	Screw mounting
D	DIN rail*10

- *1 Please contact SMC for non-standard strokes as they are produced as special orders.
- *2 The mounting bracket is shipped together with the product but does not come assembled.
- *3 For the horizontal cantilever mounting of the rod flange or ends tapped types, use the actuator within the following stroke range.
· LEY25: 200 mm or less · LEY32/40: 100 mm or less
- *4 The head flange type is not available for the LEY32/40.
- *5 Produced upon receipt of order (Robotic cable only)
- *6 For details on controllers/drivers and compatible motors, refer to the compatible controllers/drivers on the next page.
- *7 When pulse signals are open collector, order the current limiting resistor (LEC-PA-R-□) separately after referring to page 238.

- *8 When "Without controller/driver" is selected for controller/driver types, I/O cable cannot be selected. Refer to page 224 (For LECA6), page 234 (For LECP1), or page 240 (For LECPA) if I/O cable is required.
- *9 When "Pulse input type" is selected for controller/driver types, pulse input usable only with differential. Only 1.5 m cables usable with open collector
- *10 The DIN rail is not included. It must be ordered separately.
- *11 Select "Nil" for anything other than DeviceNet™, CC-Link, or parallel input.
Select "Nil," "S," or "T" for DeviceNet™ or CC-Link.
Select "Nil," "1," "3," or "5" for parallel input.

⚠ Caution

[CE-compliant products]

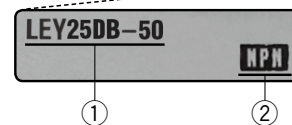
- ① EMC compliance was tested by combining the electric actuator LEY series and the controller LEC/JXC series.
The EMC depends on the configuration of the customer's control panel and the relationship with other electrical equipment and wiring. Therefore, compliance with the EMC directive cannot be certified for SMC components incorporated into the customer's equipment under actual operating conditions. As a result, it is necessary for the customer to verify compliance with the EMC directive for the machinery and equipment as a whole.
- ② For the servo motor (24 VDC) specification, EMC compliance was tested by installing a noise filter set (LEC-NFA). Refer to page 224 for the noise filter set. Refer to the LECA series Operation Manual for installation.

The actuator and controller/driver are sold as a package.

Confirm that the combination of the controller/driver and actuator is correct.

<Check the following before use.>

- ① Check the actuator label for the model number. This number should match that of the controller/driver.
- ② Check that the Parallel I/O configuration matches (NPN or PNP).



* Refer to the Operation Manual for using the products.
Please download it via our website: <https://www.smcworld.com>

Model Selection

LEY

LEYG

LEY

LEY

LEYG

LEY

LEY-X7

Environment

25A-LEY

JXC51/61

LECA6

LECA6

LECA6

JXC□

LECS□

LECY□

Specific Product Precautions





LEY-X7 Series











Step Motor (Servo/24 VDC)

Servo Motor (24 VDC)

Dust-tight/Water-jet-proof (IP65 Equivalent/IP67 Equivalent)

Compatible Controllers/Drivers

Type	Step data input type	Step data input type	Programless type	Pulse input type
				
Series	JXC51 JXC61	LECA6	LECP1	LECPA
Features	Parallel I/O	Parallel I/O	Capable of setting up operation (step data) without using a PC or teaching box	Operation by pulse signals
Compatible motor	Step motor (Servo/24 VDC)	Servo motor (24 VDC)	Step motor (Servo/24 VDC)	
Max. number of step data	64 points		14 points	—
Power supply voltage	24 VDC			
Reference page	211	218	229	235

Type	EtherCAT direct input type	EtherCAT direct input type with STO sub-function	EtherNet/IP™ direct input type	EtherNet/IP™ direct input type with STO sub-function	PROFINET direct input type	PROFINET direct input type with STO sub-function	DeviceNet® direct input type	IO-Link direct input type	IO-Link direct input type with STO sub-function	CC-Link direct input type
										
Series	JXCE1	JXCEF	JXC91	JXC9F	JXCP1	JXCPF	JXCD1	JXCL1	JXCLF	JXCM1
Features	EtherCAT direct input	EtherCAT direct input with STO sub-function	EtherNet/IP™ direct input	EtherNet/IP™ direct input with STO sub-function	PROFINET direct input	PROFINET direct input with STO sub-function	DeviceNet® direct input	IO-Link direct input	IO-Link direct input with STO sub-function	CC-Link direct input
Compatible motor	Step motor (Servo/24 VDC)									
Max. number of step data	64 points									
Power supply voltage	24 VDC									
Reference page	241									

Specifications

Step Motor (Servo/24 VDC)

Model		LEY25□-X7			LEY32□-X7			LEY40□-X7			
Work load*1 [kg]	Horizontal	For JXC□1, JXC□F, LECPC1 (3000 [mm/s ²])	20	40	60	30	45	60	50	60	80
		(2000 [mm/s ²])	30	55	70	40	60	80	60	70	90
	Vertical	For LECPCA JXC□ ₂ (3000 [mm/s ²])	12	30	30	20	40	40	30	60	60
		(2000 [mm/s ²])	18	50	50	30	60	60	—	—	—
	(3000 [mm/s ²])	7	15	29	10	21	42	12	26	52	
Pushing force [N]*2 *3 *4			63 to 122	126 to 238	232 to 452	80 to 189	156 to 370	296 to 707	132 to 283	266 to 553	562 to 1058
Speed [mm/s]*4			18 to 300	9 to 150	5 to 75	24 to 300	12 to 150	6 to 75	24 to 300	12 to 210	6 to 105
Max. acceleration/deceleration [mm/s ²]			3000								
Pushing speed [mm/s]*5			35 or less			30 or less			30 or less		
Positioning repeatability [mm]			±0.02								
Lost motion [mm]*6			0.1 or less								
Screw lead [mm]			12	6	3	16	8	4	16	8	4
Impact/Vibration resistance [m/s ²]*7			50/20								
Actuation type			Ball screw (LEY□D)								
Guide type			Sliding bushing (Piston rod)								
Enclosure*8			IP65 equivalent/IP67 equivalent								
Operating temperature range [°C]			5 to 40								
Operating humidity range [%RH]			90 or less (No condensation)								
Motor size			□42			□56.4			□56.4		
Motor type			Step motor (Servo/24 VDC)								
Encoder			Incremental								
Power supply voltage [V]			24 VDC ±10%								
Power [W]*9 *11			Max. power 48			Max. power 104			Max. power 106		
Type*10			Non-magnetizing lock								
Holding force [N]			78	157	294	108	216	421	127	265	519
Power [W]*11			5			5			5		
Rated voltage [V]			24 VDC ±10%								

*1 Horizontal: The max. value of the work load. An external guide is necessary to support the load. (Friction coefficient of guide: 0.1 or less) The actual work load and transfer speed change according to the condition of the external guide. Also, speed changes according to the work load. Check the "Model Selection" on pages 155 and 156.

Vertical: Speed changes according to the work load. Check the "Model Selection" on pages 155 and 156.

The values shown in () are the acceleration/deceleration. Set these values to be 3000 [mm/s²] or less.

*2 Pushing force accuracy is ±20% (F.S.).

*3 The thrust setting values for LEY25□ are 38% to 65%, for LEY32□ are 38% to 85%, and for LEY40□ are 35% to 65%. The pushing force values change according to the duty ratio and pushing speed. Check the "Model Selection" on page 158.

*4 The speed and force may change depending on the cable length, load, and mounting conditions. Furthermore, if the cable length exceeds 5 m, then it will decrease by up to 10% for each 5 m. (At 15 m: Reduced by up to 20%)

*5 The allowable speed for pushing operation. When push conveying a workpiece, operate at the vertical work load or less.

*6 A reference value for correcting errors in reciprocal operation

*7 Impact resistance: No malfunction occurred when the actuator was tested with a drop tester in both an axial direction and a perpendicular direction to the lead screw. (The test was performed with the actuator in the initial state.)

Vibration resistance: No malfunction occurred in a test ranging between 45 to 2000 Hz. The test was performed in both an axial direction and a perpendicular direction to the lead screw. (The test was performed with the actuator in the initial state.)

*8 Cannot be used in an environment where oil such as cutting oil splashes or it is constantly exposed to water

Take appropriate protective measures. For details on enclosure, refer to the "Enclosure" on page 207.

*9 Indicates the max. power during operation (including the controller). This value can be used for the selection of the power supply.

*10 With lock only

*11 For an actuator with lock, add the power for the lock.

Model Selection

Step Motor (Servo/24 VDC)/Servo Motor (24 VDC)
LEY
LEYG

AC Servo Motor
LEY
LEYG

Environment
LEY-X7
LEY-X5
25A-LEY

Step Motor (Servo/24 VDC)/Servo Motor (24 VDC)
JXC51/61
LECA6
LEC-G
LECP1

AC Servo Motor
JXC□
LECS□
LECY□

Specific Product Precautions

LEY-X7 Series

Step Motor (Servo/24 VDC)

Servo Motor (24 VDC)

Dust-tight/Water-jet-proof (IP65 Equivalent/IP67 Equivalent)

Specifications

Servo Motor (24 VDC)

Model		LEY25□A-X7			
Actuator specifications	Work load*1 [kg]	Horizontal (3000 [mm/s ²])	7	15	30
		Vertical (3000 [mm/s ²])	2	5	11
	Pushing force [N]*2 *3		18 to 35	37 to 72	66 to 130
	Speed [mm/s]		2 to 300	1 to 150	1 to 75
	Max. acceleration/deceleration [mm/s ²]		3000		
	Pushing speed [mm/s]*4		35 or less		
	Positioning repeatability [mm]		±0.02		
	Lost motion [mm]*5		0.1 or less		
	Screw lead [mm]		12	6	3
	Impact/Vibration resistance [m/s ²]*6		50/20		
Actuation type		Ball screw + Belt (LEY□) Ball screw (LEY□D)			
Guide type		Sliding bushing (Piston rod)			
Enclosure*7		IP65 equivalent/IP67 equivalent			
Operating temperature range [°C]		5 to 40			
Operating humidity range [%RH]		90 or less (No condensation)			
Electric specifications	Motor size		□42		
	Motor type		Servo motor (24 VDC)		
	Encoder		Incremental		
	Power supply voltage [V]		24 VDC ±10%		
Lock unit specifications	Power [W]*8 *10		Max. power 96		
	Type*9		Non-magnetizing lock		
	Holding force [N]		78	157	294
	Power [W]*10		5		
	Rated voltage [V]		24 VDC ±10%		

- *1 Horizontal: The max. value of the work load. An external guide is necessary to support the load. (Friction coefficient of guide: 0.1 or less) The actual work load and transfer speed change according to the condition of the external guide.
Vertical: Speed changes according to the work load. Check the "Model Selection" on page 157.
The values shown in () are the acceleration/deceleration. Set these values to be 3000 [mm/s²] or less.
- *2 Pushing force accuracy is ±20% (F.S.).
- *3 The thrust setting values for LEY25A□ are 75% to 95%. The pushing force values change according to the duty ratio and pushing speed. Check the "Model Selection" on page 158.
- *4 The allowable speed for pushing operation
When push conveying a workpiece, operate at the vertical work load or less.
- *5 A reference value for correcting errors in reciprocal operation
- *6 Impact resistance: No malfunction occurred when the actuator was tested with a drop tester in both an axial direction and a perpendicular direction to the lead screw. (The test was performed with the actuator in the initial state.)
Vibration resistance: No malfunction occurred in a test ranging between 45 to 2000 Hz. The test was performed in both an axial direction and a perpendicular direction to the lead screw. (The test was performed with the actuator in the initial state.)
- *7 Cannot be used in an environment where oil such as cutting oil splashes or it is constantly exposed to water. Take appropriate protective measures. For details on enclosure, refer to the "Enclosure" on page 207.
- *8 Indicates the max. power during operation (including the controller). This value can be used for the selection of the power supply.
- *9 With lock only
- *10 For an actuator with lock, add the power for the lock.

Weight

Weight: In-line Motor Type

		LEY25D								
Stroke		30	50	100	150	200	250	300	350	400
Product weight [kg]	Step motor	1.49	1.56	1.73	1.98	2.16	2.33	2.51	2.68	2.86
	Servo motor	1.45	1.52	1.69	1.94	2.12	2.29	2.47	2.64	2.82

		LEY32D										
Stroke		30	50	100	150	200	250	300	350	400	450	500
Product weight [kg]	Step motor	2.59	2.70	2.99	3.37	3.66	3.95	4.23	4.52	4.81	5.09	5.38

		LEY40D										
Stroke		30	50	100	150	200	250	300	350	400	450	500
Product weight [kg]	Step motor	2.94	3.05	3.34	3.72	4.01	4.30	4.58	4.87	5.16	5.44	5.73

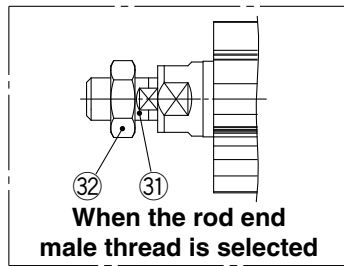
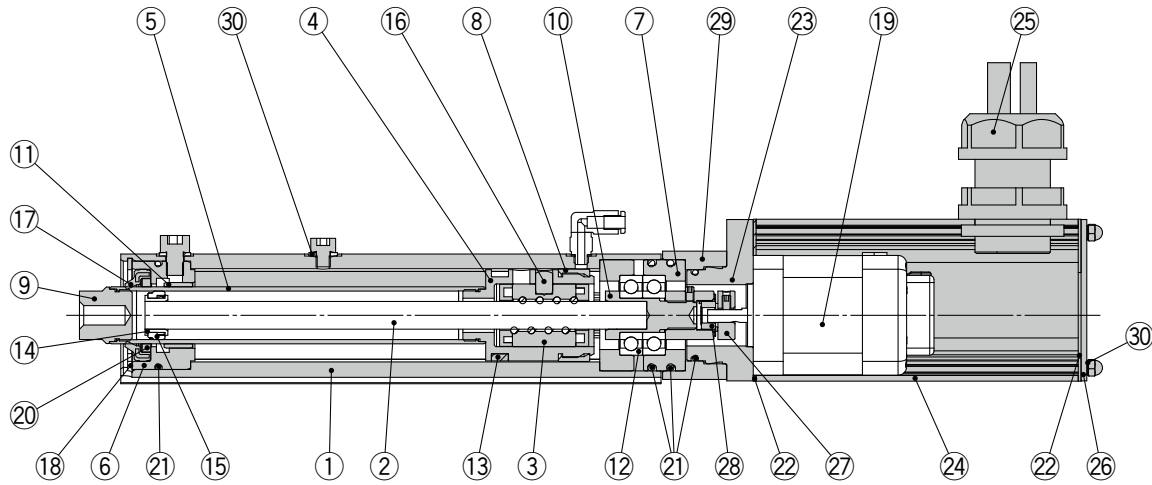
Additional Weight

[kg]

Size		25	32	40
Lock		0.33	0.63	0.63
Rod end male thread	Male thread	0.03	0.03	0.03
	Nut	0.02	0.02	0.02
Foot bracket (2 sets including mounting bolt)		0.08	0.14	0.14
Rod flange (including mounting bolt)		0.17	0.20	0.20
Head flange (including mounting bolt)				

Construction

In-line motor type: LEY²⁵₃₂^D₄₀



Component Parts

No.	Description	Material	Note
1	Body	Aluminum alloy	Anodized
2	Ball screw	Alloy steel	
3	Ball screw nut	Synthetic resin/Alloy steel	
4	Piston	Aluminum alloy	
5	Piston rod	Stainless steel	Hard chrome plating
6	Rod cover	Aluminum alloy	Anodized
7	Bearing holder	Aluminum alloy	
8	Rotation stopper	Resin	
9	Socket	Stainless steel	
10	Connected shaft	Free cutting carbon steel	Nickel plating
11	Bushing	Bearing alloy	
12	Bearing	—	
13	Magnet	—	
14	Wear ring holder	Stainless steel	Stroke 101 mm or more
15	Wear ring	Resin	Stroke 101 mm or more
16	Parallel pin	Stainless steel	

No.	Description	Material	Note
17	Greater water resistant scraper	Stainless steel/NBR	
18	Retaining ring	Stainless steel	
19	Motor	—	
20	Lube-retainer	Felt	
21	O-ring	NBR	
22	Gasket	Chloroprene	
23	Motor adapter	Aluminum alloy	LEY25 only
24	Motor cover	Aluminum alloy	Anodized
25	Seal connector	—	
26	End cover	Aluminum alloy	Anodized
27	Hub	Aluminum alloy	
28	Spider	NBR	
29	Motor block	Aluminum alloy	Anodized
30	Seal washer	Stainless steel/NBR	
31	Socket (Male thread)	Stainless steel	
32	Nut	Stainless steel	

Replacement Parts/Grease Pack

Applied portion	Order no.
Piston rod	GR-S-010 (10 g)
Piston	GR-S-020 (20 g)

* Apply grease to the piston rod periodically.
Grease should be applied when 1 million cycles or 200 km have been reached, whichever comes first.

Model Selection

Step Motor (Servo/24 VDC)/Servo Motor (24 VDC)
LEY

LEYG

LEY

Environment
25A-LEY LEY-X5 LEY-X7

JXC51/61

LECA6

LEC-G

LECP1

LECPA

JXC

LECS

LECY

Specific Product Precautions

LEY-X7 Series

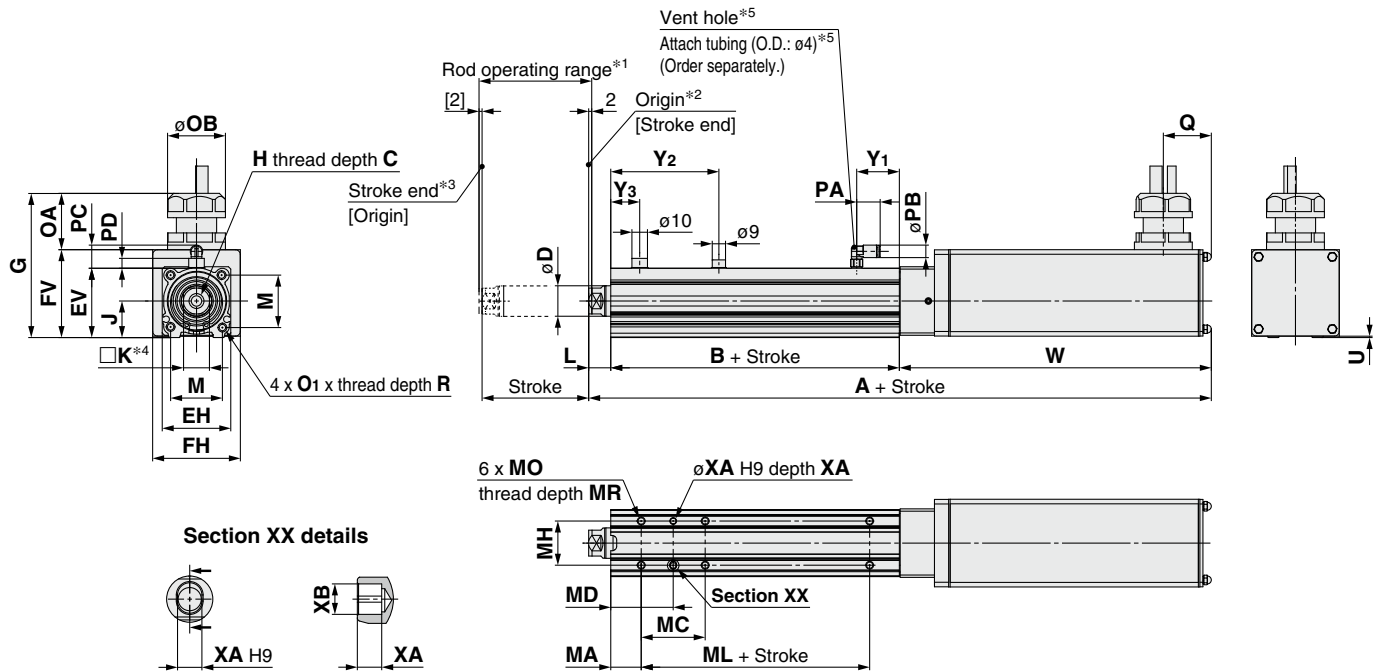
Step Motor (Servo/24 VDC)

Servo Motor (24 VDC)

Dust-tight/Water-jet-proof (IP65 Equivalent/IP67 Equivalent)

Dimensions

In-line motor type



Size	Stroke range [mm]	A		B	C	D	EH	EV	FH	FV	G	H	J	K	L	M
		Without lock	With lock													
25	30 to 100	259	309	89.5	13	20	44	45.5	57.6	57.7	94.7	M8 x 1.25	24	17	14.5	34
	105 to 400	284	334	114.5												
32	30 to 100	269.5	319.5	96	13	25	51	56.5	69.6	79.6	116.6	M8 x 1.25	31	22	18.5	40
	105 to 500	299.5	349.5	126												
40	30 to 100	291.5	341.5	96	13	25	51	56.5	69.6	79.6	116.6	M8 x 1.25	31	22	18.5	40
	105 to 500	321.5	371.5	126												

Size	Stroke range [mm]	O ₁	R	OA	OB	PA	PB	PC	PD	Q	U	W		Y ₁	Y ₂	Y ₃
												Without lock	With lock			
25	30 to 100	M5 x 0.8	8	37	38	15.4	8.2	15.9	6.5	31.5	0.9	155	205	28	71	19
	105 to 400														96	
32	30 to 100	M6 x 1.0	10	37	38	15.4	8.2	15.9	7.1	31.5	1	155	205	30	75.5	16
	105 to 500														105.5	
40	30 to 100	M6 x 1.0	10	37	38	15.4	8.2	15.9	7.1	31.5	1	177	227	30	75.5	16
	105 to 500														105.5	

Body Bottom Tapped

Size	Stroke range [mm]	MA	MC	MD	MH	ML	MO	MR	XA	XB
25	30 to 39	20	24	32	29	50	M5 x 0.8	6.5	4	5
	40 to 100		42	41		75				
	101 to 124		59	49.5						
	125 to 200		76	58						
	201 to 400									
32/40	30 to 39	25	22	36	30	50	M6 x 1	8.5	5	6
	40 to 100		36	43		80				
	101 to 124		53	51.5						
	125 to 200		70	60						
	201 to 500									

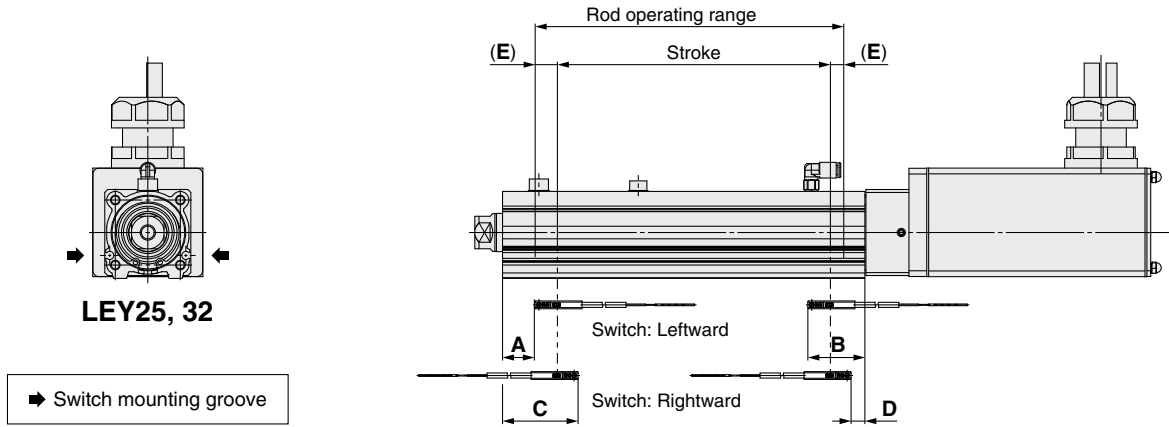
- *1 This is the range within which the rod can move when it returns to origin.
Make sure that workpieces mounted on the rod do not interfere with other workpieces or the facilities around the rod.
- *2 Position after return to origin
- *3 [] for when the direction of return to origin has changed
- *4 The direction of rod end width across flats (□K) differs depending on the products.
- *5 The vent hole is the port for releasing to atmosphere. Do not apply pressure to this hole.
Attach tubing to the vent hole and place the end of the tubing so it is not exposed to dust or water.

For the rod end male thread, refer to page 67. For the mounting bracket dimensions, refer to page 101.

LEY-X7 Series Auto Switch Mounting

Auto Switch Proper Mounting Position

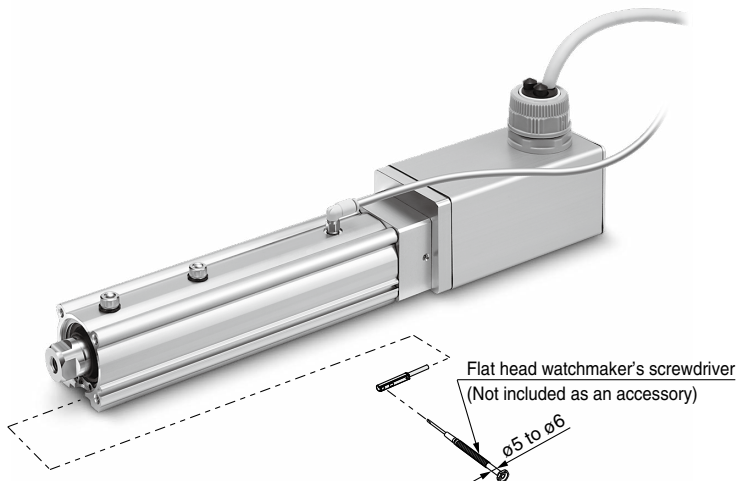
Applicable auto switch: D-M9□A(V)



Size	Stroke range	Auto switch position				Return to origin distance	Operating range
		Leftward mounting		Rightward mounting			
		A	B	C	D		
25	15 to 100	27	62.5	39	50.5	(2)	4.2
	105 to 400	52		64			
32/40	20 to 100	30.5	85.5	42.5	53.5	(2)	4.9
	105 to 500	90.5		102.5			

- * The values in the table above are to be used as a reference when mounting auto switches for stroke end detection. Adjust the auto switch after confirming the operating conditions in the actual setting.
- * An auto switch cannot be mounted on the same side as a motor.
- * For LEYG series models (with a guide), an auto switch cannot be mounted on the guide attachment side (rod side).
- * Since the operating range is provided as a guideline including hysteresis, it cannot be guaranteed (assuming approx. $\pm 30\%$ dispersion). It may change substantially depending on the ambient environment.

Auto Switch Mounting



Tightening Torque for Auto Switch Mounting Screw [N·m]

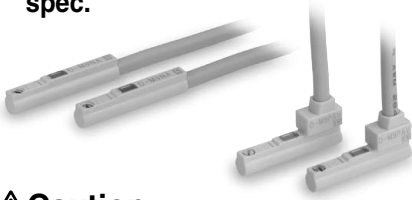
Auto switch model	Tightening torque
D-M9□A(V)	0.05 to 0.10

- * When tightening the auto switch mounting screw (included with the auto switch), use a watchmaker's screwdriver with a handle diameter of 5 to 6 mm.

Water Resistant 2-Color Indicator Solid State Auto Switch: Direct Mounting Type D-M9NA(V)/D-M9PA(V)/D-M9BA(V)

Grommet

- Water (coolant) resistant type
- 2-wire load current is reduced (2.5 to 40 mA).
- The proper operating range can be determined by the color of the light. (Red → Green ← Red)
- Using flexible cable as standard spec.



⚠ Caution

Precautions

Fix the auto switch with the existing screw installed on the auto switch body. The auto switch may be damaged if a screw other than the one supplied is used. Please contact SMC if using coolant liquid other than water based solution.

Weight

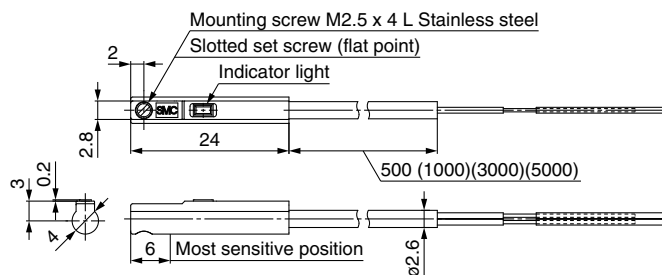
[g]

Auto switch model	D-M9NA(V)	D-M9PA(V)	D-M9BA(V)
Lead wire length			
0.5 m (Nil)	8	7	
1 m (M)	14	13	
3 m (L)	41	38	
5 m (Z)	68	63	

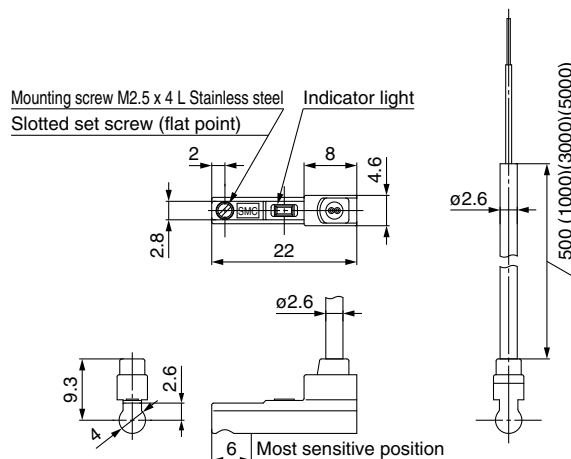
Dimensions

[mm]

D-M9□A



D-M9□AV



Auto Switch Specifications

PLC: Programmable Logic Controller

D-M9□A, D-M9□AV (With indicator light)						
Auto switch model	D-M9NA	D-M9NAV	D-M9PA	D-M9PAV	D-M9BA	D-M9BAV
Electrical entry direction	In-line	Perpendicular	In-line	Perpendicular	In-line	Perpendicular
Wiring type	3-wire				2-wire	
Output type	NPN		PNP		—	
Applicable load	IC circuit, Relay, PLC				24 VDC relay, PLC	
Power supply voltage	5, 12, 24 VDC (4.5 to 28 V)				—	
Current consumption	10 mA or less				—	
Load voltage	28 VDC or less		—		24 VDC (10 to 28 VDC)	
Load current	40 mA or less				2.5 to 40 mA	
Internal voltage drop	0.8 V or less at 10 mA (2 V or less at 40 mA)				4 V or less	
Leakage current	100 μA or less at 24 VDC				0.8 mA or less	
Indicator light	Operating range Red LED illuminates. Proper operating range Green LED illuminates.					
Standard	CE marking (EMC directive/RoHS directive)					

Oilproof Flexible Heavy-duty Lead Wire Specifications

Auto switch model		D-M9NA□	D-M9NAV□	D-M9PA□	D-M9PAV□	D-M9BA□	D-M9BAV□
Sheath	Outside diameter [mm]	2.6					
Insulator	Number of cores	3 cores (Brown/Blue/Black)			2 cores (Brown/Blue)		
	Outside diameter [mm]	0.88					
Conductor	Effective area [mm ²]	0.15					
	Strand diameter [mm]	0.05					
Min. bending radius [mm]		17					

* Refer to the **Web Catalog** for solid state auto switch common specifications.

* Refer to the **Web Catalog** for lead wire lengths.

Specific Product
Precautions

AC Servo Motor
LECY LECS

Step Motor (Servo/24 VDC)/Servo Motor (24 VDC)
JXC LECPA LECPI LEC-G LEC-A6 JXC51/61

Environment
25A-LEY LEY-X5 LEY-X7

AC Servo Motor
LEYG LEY

Step Motor (Servo/24 VDC)/Servo Motor (24 VDC)
LEYG LEY

Model
Selection

Electric Actuator Rod Type

Dust-tight/Water-jet-proof (IP65 Equivalent)



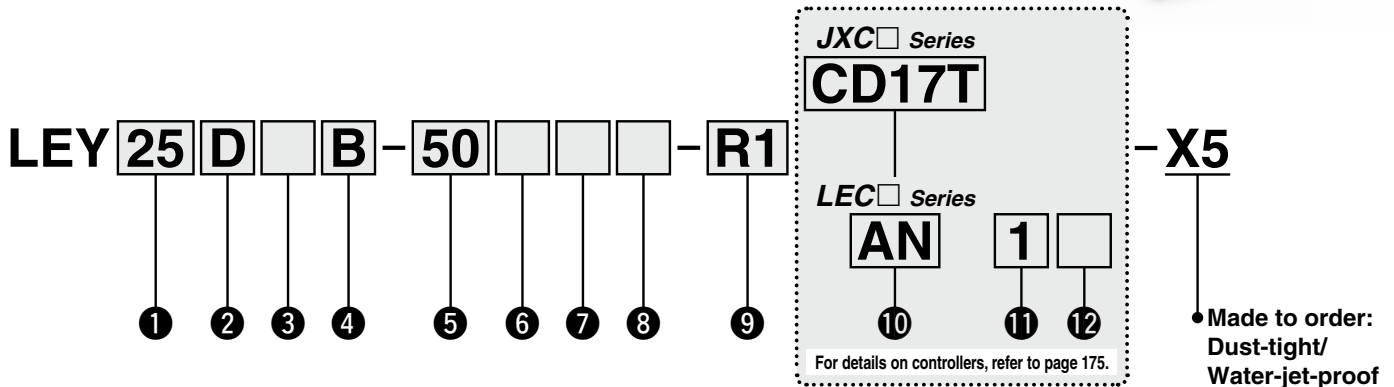
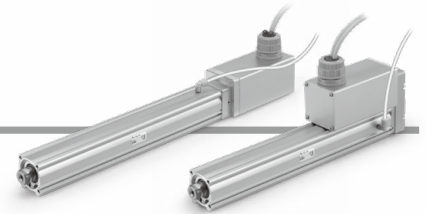
* For details, refer to page 307 and onward.

LEY-X5 (Made to Order) Series LEY25, 32



Refer to pages 160 to 162 for model selection.

How to Order



1 Size

25
32

2 Motor mounting position

Nil	Top side parallel
D	In-line

3 Motor type

Symbol	Type	Size		Compatible controllers/drivers
		25	32	
Nil	Step motor (Servo/24 VDC)	●	●	JXC51 JXCEF JXC61 JXC9F JXC E1 JXCPF JXC91 JXCLF JXCP1 JXCD1 LEC P1 JXCL1 LEC P A JXCM1
A	Servo motor (24 VDC)	●	—	LECA6

4 Lead [mm]

Symbol	LEY25	LEY32
A	12	16
B	6	8
C	3	4

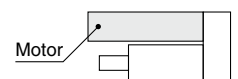
5 Stroke [mm]

30	30
to	to
500	500

* For details, refer to the applicable stroke table below.

6 Motor option*2

Nil	Without option
B	With lock



7 Rod end thread

Nil	Rod end female thread
M	Rod end male thread (1 rod end nut is included.)

8 Mounting*3

Symbol	Type	Motor mounting position	
		Parallel	In-line
Nil	Ends tapped/Body bottom tapped*4	●	●
L	Foot bracket	●	—
F	Rod flange*4	●*5	●
G	Head flange*4	●*6	—

9 Actuator cable type/length

Robotic cable [m]			
R1	1.5	RA	10*7
R3	3	RB	15*7
R5	5	RC	20*7
R8	8*7		

Applicable Stroke Table*1

●: Standard

Model	Stroke [mm]	30	50	100	150	200	250	300	350	400	450	500	Manufacturable stroke range
LEY25		●	●	●	●	●	●	●	●	●	—	—	15 to 400
LEY32		●	●	●	●	●	●	●	●	●	●	●	20 to 500

* For auto switches, refer to pages 192 and 193.
* "-X5" is not added to an actuator model with a controller/driver part number suffix. Example) "LEY25DB-100" for the LEY25DB-100BM-R1AN1-X5

Electric Actuator Rod Type **LEY-X5 Series**

Step Motor (Servo/24 VDC)

Servo Motor (24 VDC)

Dust-tight/Water-jet-proof (IP65 Equivalent)

JXC Series (For details, refer to page 175.)

10 Controller

Nil	Without controller
C□1□□	With controller

C D 1 7 T

Interface (Communication protocol/Input/Output)

Symbol	Type	Number of axes, Special specification	
		Standard	With STO sub-function
5	Parallel input (NPN)	●	
6	Parallel input (PNP)	●	
E	EtherCAT	●	●
9	EtherNet/IP™	●	●
P	PROFINET	●	●
D	DeviceNet®	●	
L	IO-Link	●	●
M	CC-Link	●	

Mounting

7	Screw mounting
8*2	DIN rail

Number of axes, Special specification

Symbol	Number of axes	Specification
1	Single axis	Standard
F	Single axis	With STO sub-function

Communication plug connector, I/O cable*14

Symbol	Type	Applicable interface
Nil	Without accessory	—
S	Straight type communication plug connector	DeviceNet™
T	T-branch type communication plug connector	CC-Link Ver. 1.10
1	I/O cable (1.5 m)	Parallel input (NPN) Parallel input (PNP)
3	I/O cable (3 m)	
5	I/O cable (5 m)	



LEC Series (For details, refer to page 175.)

AN 1 □

10 Controller/Driver type*8

Nil	Without controller/driver	
6N	LECA6	NPN
6P	(Step data input type)	PNP
1N	LECP1 *9	NPN
1P	(Programless type)	PNP
AN	LECPA *9*10	NPN
AP	(Pulse input type)	PNP

11 I/O cable length*11

Nil	Without cable
1	1.5 m
3	3 m*12
5	5 m*12

12 Controller/Driver mounting

Nil	Screw mounting
D	DIN rail*13



- *1 Please contact SMC for non-standard strokes as they are produced as special orders.
- *2 When "With lock" is selected for the top side parallel motor type, the motor body will stick out from the end of the body for strokes of 50 mm or less. Check for interference with workpieces before selecting a model.
- *3 The mounting bracket is shipped together with the product but does not come assembled.
- *4 For the horizontal cantilever mounting of the rod flange, head flange, or ends tapped types, use the actuator within the following stroke range.
·LEY25: 200 mm or less ·LEY32: 100 mm or less
- *5 The rod flange type is not available for the LEY25/32 with strokes of 50 mm or less and motor option "With lock."
- *6 The head flange type is not available for the LEY32.
- *7 Produced upon receipt of order (Robotic cable only)
- *8 For details on controllers/drivers and compatible motors, refer to the compatible controllers/drivers on the next page.

- *9 Only available for the motor type "Step motor"
- *10 When pulse signals are open collector, order the current limiting resistor (LEC-PA-R-□) on page 238 separately.
- *11 When "Without controller/driver" is selected for controller/driver types, I/O cable cannot be selected. Refer to page 224 (For LECA6), page 234 (For LECP1), or page 240 (For LECPA) if I/O cable is required.
- *12 When "Pulse input type" is selected for controller/driver types, pulse input usable only with differential. Only 1.5 m cables usable with open collector
- *13 The DIN rail is not included. It must be ordered separately.
- *14 Select "Nil" for anything other than DeviceNet™, CC-Link, or parallel input.
Select "Nil," "S," or "T" for DeviceNet™ or CC-Link.
Select "Nil," "1," "3," or "5" for parallel input.

⚠ Caution

[CE-compliant products]

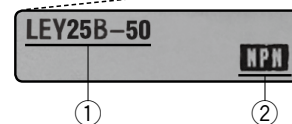
- ① EMC compliance was tested by combining the electric actuator LEY series and the controller LEC/JXC series.
The EMC depends on the configuration of the customer's control panel and the relationship with other electrical equipment and wiring. Therefore, compliance with the EMC directive cannot be certified for SMC components incorporated into the customer's equipment under actual operating conditions. As a result, it is necessary for the customer to verify compliance with the EMC directive for the machinery and equipment as a whole.
- ② For the servo motor (24 VDC) specification, EMC compliance was tested by installing a noise filter set (LEC-NFA). Refer to page 224 for the noise filter set. Refer to the LECA series Operation Manual for installation.

The actuator and controller/driver are sold as a package.

Confirm that the combination of the controller/driver and actuator is correct.

<Check the following before use.>

- ① Check the actuator label for the model number. This number should match that of the controller/driver.
- ② Check that the Parallel I/O configuration matches (NPN or PNP).



* Refer to the Operation Manual for using the products. Please download it via our website: <https://www.smcworld.com>





LEY-X5 Series











Step Motor (Servo/24 VDC)

Servo Motor (24 VDC)

Dust-tight/Water-jet-proof (IP65 Equivalent)

Compatible Controllers/Drivers

Type	Step data input type	Step data input type	Programless type	Pulse input type
				
Series	JXC51 JXC61	LECA6	LECP1	LECPA
Features	Parallel I/O	Parallel I/O	Capable of setting up operation (step data) without using a PC or teaching box	Operation by pulse signals
Compatible motor	Step motor (Servo/24 VDC)	Servo motor (24 VDC)	Step motor (Servo/24 VDC)	
Max. number of step data	64 points		14 points	—
Power supply voltage	24 VDC			
Reference page	211	218	229	235

Type	EtherCAT direct input type	EtherCAT direct input type with STO sub-function	EtherNet/IP™ direct input type	EtherNet/IP™ direct input type with STO sub-function	PROFINET direct input type	PROFINET direct input type with STO sub-function	DeviceNet® direct input type	IO-Link direct input type	IO-Link direct input type with STO sub-function	CC-Link direct input type
										
Series	JXCE1	JXCEF	JXC91	JXC9F	JXCP1	JXCPF	JXCD1	JXCL1	JXCLF	JXCM1
Features	EtherCAT direct input	EtherCAT direct input with STO sub-function	EtherNet/IP™ direct input	EtherNet/IP™ direct input with STO sub-function	PROFINET direct input	PROFINET direct input with STO sub-function	DeviceNet® direct input	IO-Link direct input	IO-Link direct input with STO sub-function	CC-Link direct input
Compatible motor	Step motor (Servo/24 VDC)									
Max. number of step data	64 points									
Power supply voltage	24 VDC									
Reference page	241									

Specifications

Step Motor (Servo/24 VDC)

Model		LEY25□-X5			LEY32□-X5				
Work load [kg] ^{*1}	Horizontal	For JXC□1, JXC□F, LECP1	(3000 [mm/s ²])	20	40	60	30	45	60
			(2000 [mm/s ²])	30	60	70	40	60	80
	Vertical ^{*14}	For LECPA JXC□ ₃	(3000 [mm/s ²])	12	30	30	20	40	40
			(2000 [mm/s ²])	18	50	50	30	60	60
			(3000 [mm/s ²])	7	15	29	10	21	42
Pushing force [N] ^{*2 *3 *4}		63 to 122			126 to 238	232 to 452	80 to 189	156 to 370	296 to 707
Speed [mm/s] ^{*4}		18 to 400			9 to 200	5 to 100	24 to 400	12 to 200	6 to 100
Max. acceleration/deceleration [mm/s ²]		3000							
Pushing speed [mm/s] ^{*5}		35 or less			30 or less				
Positioning repeatability [mm]		±0.02							
Lost motion [mm] ^{*6}		0.1 or less							
Screw lead [mm]		12	6	3	16	8	4		
Impact/Vibration resistance [m/s ²] ^{*7}		50/20							
Actuation type		Ball screw + Belt (LEY□) Ball screw (LEY□D)							
Guide type		Sliding bushing (Piston rod)							
Enclosure ^{*8}		IP65 equivalent							
Operating temperature range [°C]		5 to 40							
Operating humidity range [%RH]		90 or less (No condensation)							
Motor size		□42			□56.4				
Motor type		Step motor (Servo/24 VDC)							
Encoder		Incremental							
Power supply voltage [V]		24 VDC ±10%							
Power [W] ^{*9 *11}		Max. power 48			Max. power 104				
Type ^{*10}		Non-magnetizing lock							
Holding force [N]		78	157	294	108	216	421		
Power [W] ^{*11}		5			5				
Rated voltage [V]		24 VDC ±10%							

*1 Horizontal: The max. value of the work load. An external guide is necessary to support the load. (Friction coefficient of guide: 0.1 or less) The actual work load and transfer speed change according to the condition of the external guide. Also, speed changes according to the work load. Check the "Model Selection" on pages 160 and 161.

Vertical: Speed changes according to the work load. Check the "Model Selection" on pages 160 and 161.

The values shown in () are the acceleration/deceleration. Set these values to be 3000 [mm/s²] or less.

*2 Pushing force accuracy is ±20% (F.S.).

*3 The thrust setting values for LEY25□ are 38% to 65% and for LEY32□ are 38% to 85%. The pushing force values change according to the duty ratio and pushing speed. Check the "Model Selection" on page 162.

*4 The speed and force may change depending on the cable length, load, and mounting conditions. Furthermore, if the cable length exceeds 5 m, then it will decrease by up to 10% for each 5 m. (At 15 m: Reduced by up to 20%)

*5 The allowable speed for pushing operations. When push conveying a workpiece, operate at the vertical work load or less.

*6 A reference value for correcting errors in reciprocal operation

*7 Impact resistance: No malfunction occurred when the actuator was tested with a drop tester in both an axial direction and a perpendicular direction to the lead screw. (The test was performed with the actuator in the initial state.)

Vibration resistance: No malfunction occurred in a test ranging between 45 to 2000 Hz. The test was performed in both an axial direction and a perpendicular direction to the lead screw. (The test was performed with the actuator in the initial state.)

*8 Cannot be used in an environment where oil such as cutting oil splashes or it is constantly exposed to water

Take appropriate protective measures. For details on enclosure, refer to the "Enclosure" on page 207.

*9 Indicates the max. power during operation (including the controller). This value can be used for the selection of the power supply.

*10 With lock only

*11 For an actuator with lock, add the power for the lock.

*12 When mounting vertically and using the product facing upwards in an environment where water is present, take necessary measures to prevent water from splashing on the rod cover, because water will accumulate on the rod seal due to the structure of the product.

Model Selection

Step Motor (Servo/24 VDC)/Servo Motor (24 VDC)
LEY
LEYG

AC Servo Motor
LEY
LEYG

Environment
LEY-X7
LEY-X5
25A-LEY

Step Motor (Servo/24 VDC)/Servo Motor (24 VDC)
JXC51/61
LECA6
LECG

Step Motor (Servo/24 VDC)
LECP1
LECPA
JXC□
LECS□
LECY□

AC Servo Motor

Specific Product Precautions

LEY-X5 Series

Step Motor (Servo/24 VDC)

Servo Motor (24 VDC)

Dust-tight/Water-jet-proof (IP65 Equivalent)

Specifications

Servo Motor (24 VDC)

Model		LEY25□A-X5						
Actuator specifications	Work load [kg] ^{*1}	Horizontal	(3000 [mm/s ²])			7	15	30
		Vertical ^{*13}	(3000 [mm/s ²])			2	5	11
	Pushing force [N] ^{*2 *3}		18 to 35		37 to 72		66 to 130	
	Speed [mm/s]		2 to 400		1 to 200		1 to 100	
	Max. acceleration/deceleration [mm/s ²]		3000					
	Pushing speed [mm/s] ^{*4}		35 or less					
	Positioning repeatability [mm]		±0.02					
	Lost motion [mm] ^{*5}		0.1 or less					
	Screw lead [mm]		12	6	3			
	Impact/Vibration resistance [m/s ²] ^{*6}		50/20					
	Actuation type		Ball screw + Belt (LEY□) Ball screw (LEY□D)					
	Guide type		Sliding bushing (Piston rod)					
	Enclosure ^{*7}		IP65 equivalent					
	Operating temperature range [°C]		5 to 40					
Operating humidity range [%RH]		90 or less (No condensation)						
Electric specifications	Motor size		□42					
	Motor type		Servo motor (24 VDC)					
	Encoder		Incremental					
	Power supply voltage [V]		24 VDC ±10%					
	Power [W] ^{*8 *10}		Max. power 96					
Lock unit specifications	Type ^{*9}		Non-magnetizing lock					
	Holding force [N]		78	157	294			
	Power [W] ^{*10}		5					
	Rated voltage [V]		24 VDC ±10%					

- *1 Horizontal: The max. value of the work load. An external guide is necessary to support the load. (Friction coefficient of guide: 0.1 or less) The actual work load and transfer speed change according to the condition of the external guide. Vertical: Speed changes according to the work load. Check the "Model Selection" on page 161. The values shown in () are the acceleration/ deceleration.
- *2 Pushing force accuracy is ±20% (F.S.). Set these values to be 3000 [mm/s²] or less.
- *3 The thrust setting values for LEY25A□ are 75% to 95%. The pushing force values change according to the duty ratio and pushing speed. Check the "Model Selection" on page 162.
- *4 The allowable speed for pushing operations When push conveying a workpiece, operate at the vertical work load or less.
- *5 A reference value for correcting errors in reciprocal operation
- *6 Impact resistance: No malfunction occurred when the actuator was tested with a drop tester in both an axial direction and a perpendicular direction to the lead screw. (The test was performed with the actuator in the initial state.) Vibration resistance: No malfunction occurred in a test ranging between 45 to 2000 Hz. The test was performed in both an axial direction and a perpendicular direction to the lead screw. (The test was performed with the actuator in the initial state.)
- *7 Cannot be used in an environment where oil such as cutting oil splashes or it is constantly exposed to water Take appropriate protective measures. For details on enclosure, refer to the "Enclosure" on page 207.
- *8 Indicates the max. power during operation (including the controller). This value can be used for the selection of the power supply.
- *9 With lock only
- *10 For an actuator with lock, add the power for the lock.
- *11 When mounting vertically and using the product facing upwards in an environment where water is present, take necessary measures to prevent water from splashing on the rod cover, because water will accumulate on the rod seal due to the structure of the product.

Weight

Weight: Top Side Parallel Motor Type

Model		LEY25-X5									LEY32-X5										
Stroke [mm]		30	50	100	150	200	250	300	350	400	30	50	100	150	200	250	300	350	400	450	500
Product weight [kg]	Step motor	1.45	1.52	1.69	1.95	2.13	2.30	2.48	2.65	2.83	2.48	2.59	2.88	3.35	3.64	3.91	4.21	4.49	4.76	5.04	5.32
	Servo motor	1.41	1.48	1.65	1.91	2.09	2.26	2.44	2.61	2.79	—	—	—	—	—	—	—	—	—	—	—

Weight: In-line Motor Type

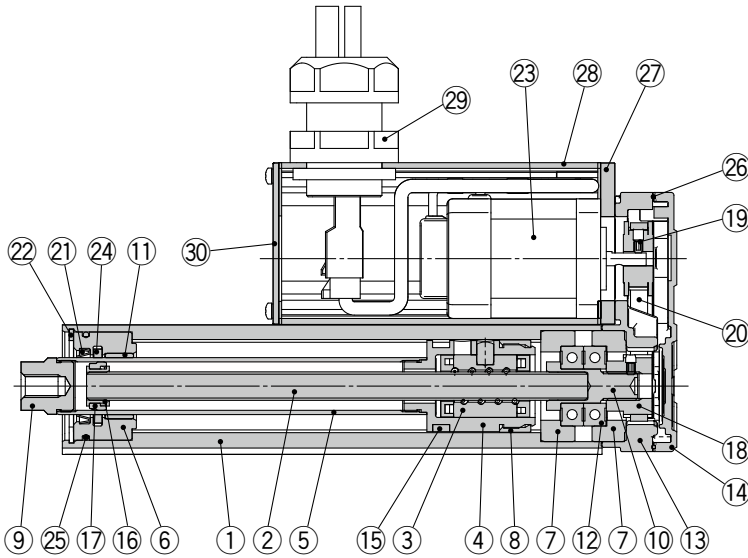
Model		LEY25D-X5									LEY32D-X5										
Stroke [mm]		30	50	100	150	200	250	300	350	400	30	50	100	150	200	250	300	350	400	450	500
Product weight [kg]	Step motor	1.46	1.53	1.70	1.96	2.14	2.31	2.49	2.66	2.84	2.49	2.60	2.89	3.36	3.65	3.92	4.22	4.50	4.77	5.05	5.33
	Servo motor	1.42	1.49	1.66	1.92	2.10	2.27	2.45	2.62	2.80	—	—	—	—	—	—	—	—	—	—	—

Additional Weight

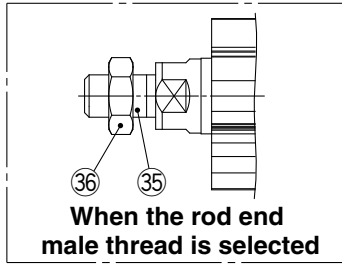
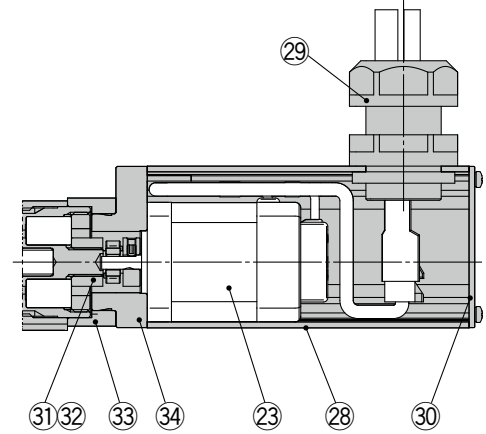
Size		25	32
Lock		0.33	0.63
Rod end male thread	Male thread	0.03	0.03
	Nut	0.02	0.02
Foot bracket (2 sets including mounting bolt)		0.08	0.14
Rod flange (including mounting bolt)		0.17	0.20
Head flange (including mounting bolt)			

Construction

Top side parallel motor type: LEY²⁵₃₂



In-line motor type: LEY²⁵₃₂D



Component Parts

No.	Description	Material	Note
1	Body	Aluminum alloy	Anodized
2	Ball screw shaft	Alloy steel	
3	Ball screw nut	Synthetic resin/Alloy steel	
4	Piston	Aluminum alloy	
5	Piston rod	Stainless steel	Hard chrome plating
6	Rod cover	Aluminum alloy	
7	Bearing holder	Aluminum alloy	
8	Rotation stopper	Synthetic resin	
9	Socket	Free cutting carbon steel	Nickel plating
10	Connected shaft	Free cutting carbon steel	Nickel plating
11	Bushing	Bearing alloy	
12	Bearing	—	
13	Return box	Aluminum die-cast	Coating
14	Return plate	Aluminum die-cast	Coating
15	Magnet	—	
16	Wear ring holder	Stainless steel	Stroke 101 mm or more
17	Wear ring	Synthetic resin	Stroke 101 mm or more
18	Screw shaft pulley	Aluminum alloy	
19	Motor pulley	Aluminum alloy	

Replacement Parts (Top side parallel only)/Belt

No.	Size	Order no.
20	25	LE-D-2-2
	32	LE-D-2-3

No.	Description	Material	Note
20	Belt	—	
21	Scraper	Synthetic resin	
22	Retaining ring	Steel for spring	Phosphate coating
23	Motor	—	
24	Lube-retainer	Felt	
25	O-ring	NBR	
26	Gasket	NBR	
27	Motor adapter	Aluminum alloy	Anodized
28	Motor cover	Aluminum alloy	Anodized
29	Seal connector	—	
30	End cover	Aluminum alloy	Anodized
31	Hub	Aluminum alloy	
32	Spider	NBR	
33	Motor block	Aluminum alloy	Anodized
34	Motor adapter	Aluminum alloy	LEY25 only
35	Socket (Male thread)	Free cutting carbon steel	Nickel plating
36	Nut	Alloy steel	Zinc chromating

Replacement Parts/Grease Pack

Applied portion	Order no.
Piston rod	GR-S-010 (10 g) GR-S-020 (20 g)

* Apply grease to the piston rod periodically.
Grease should be applied when 1 million cycles or 200 km have been reached, whichever comes first.

Model Selection

LEY

LEYG

LEY

LEYG

LEY

LEYG

Environment

LEY-X5

LEY-X7

Step Motor (Servo/24 VDC)

25A-LEY

LECA6

LECG

LECP1

LECPA

Step Motor (Servo/24 VDC)

JXC

AC Servo Motor

LECS

LECY

Specific Product Precautions

LEY-X5 Series

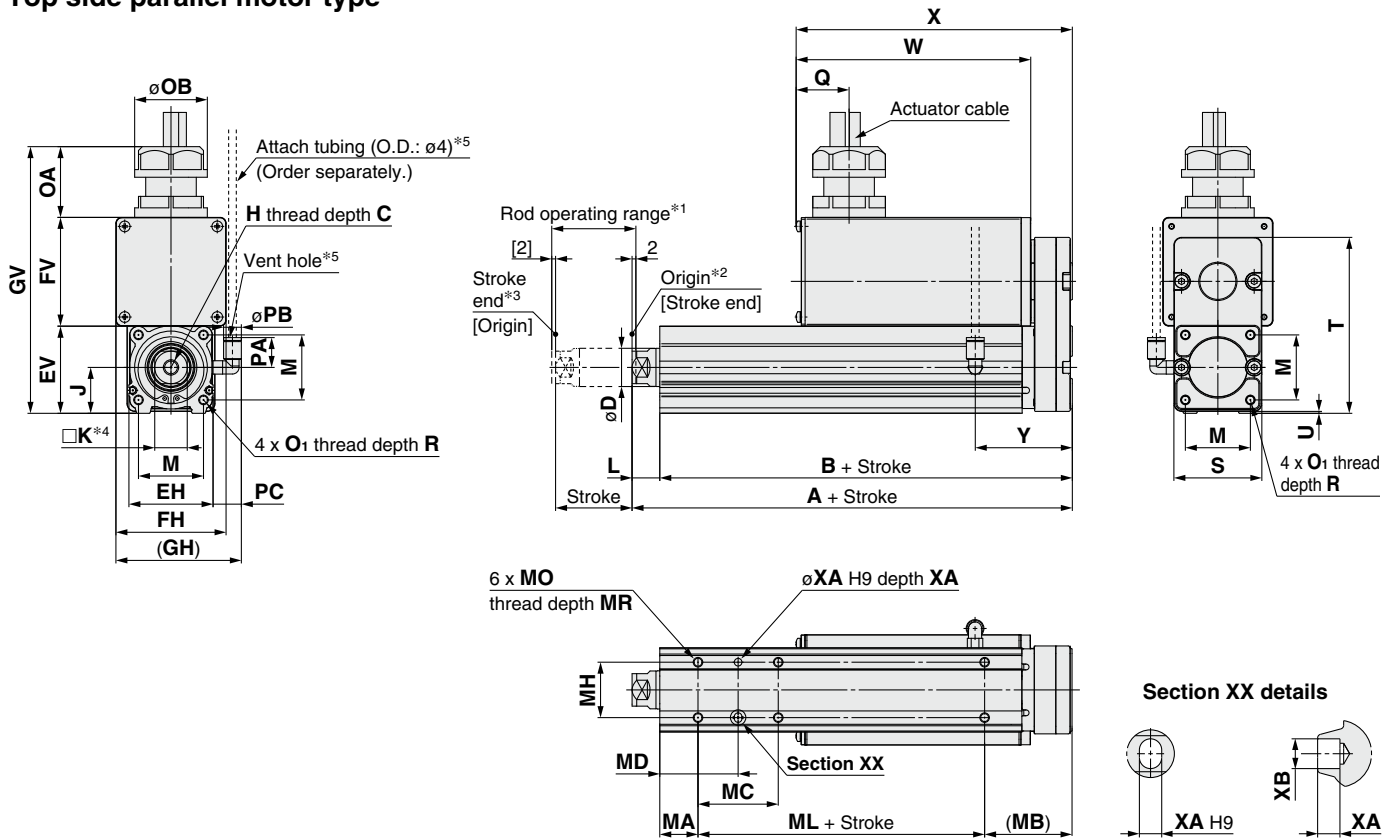
Step Motor (Servo/24 VDC)

Servo Motor (24 VDC)

Dust-tight/Water-jet-proof (IP65 Equivalent)

Dimensions

Top side parallel motor type



[mm]

Size	Stroke range [mm]	A	B	C	D	EH	EV	FH	FV	GH	GV	H	J	K	L	M	O ₁
25	15 to 100	130.5	116	13	20	44	45.5	57.6	56.8	66.2	139.5	M8 x 1.25	24	17	14.5	34	M5 x 0.8
	101 to 400	155.5	141														
32	20 to 100	148.5	130	13	25	51	56.5	69.6	78.6	76.2	173.5	M8 x 1.25	31	22	18.5	40	M6 x 1.0
	101 to 500	178.5	160														

Size	Stroke range [mm]	R	OA	OB	PA	PB	Q	S	T	U	PC	W		X		Y
												Without lock	With lock	Without lock	With lock	
25	15 to 100	8	37	38	15.4	8.2	28	46	92	1	15.4	123	173	145	195	51
	101 to 400															
32	20 to 100	10	37	38	15.4	8.2	28	60	118	1	15.9	123	173	150	200	61
	101 to 500															

Body Bottom Tapped

[mm]

Size	Stroke range [mm]	MA	MB	MC	MD	MH	ML	MO	MR	XA	XB
25	15 to 39	20	46	24	32	29	50	M5 x 0.8	6.5	4	5
	40 to 100			42	41						
	101 to 124			59	49.5						
	125 to 200			76	58						
	201 to 400			76	58						
32	20 to 39	25	55	22	36	30	50	M6 x 1	8.5	5	6
	40 to 100			36	43						
	101 to 124			53	51.5						
	125 to 200			53	51.5						
	201 to 500			70	60						

*1 This is the range within which the rod can move when it returns to origin. Make sure that workpieces mounted on the rod do not interfere with other workpieces or the facilities around the rod.

*2 Position after returning to origin

*3 [] for when the direction of return to origin has changed

*4 The direction of rod end width across flats (□K) differs depending on the products.

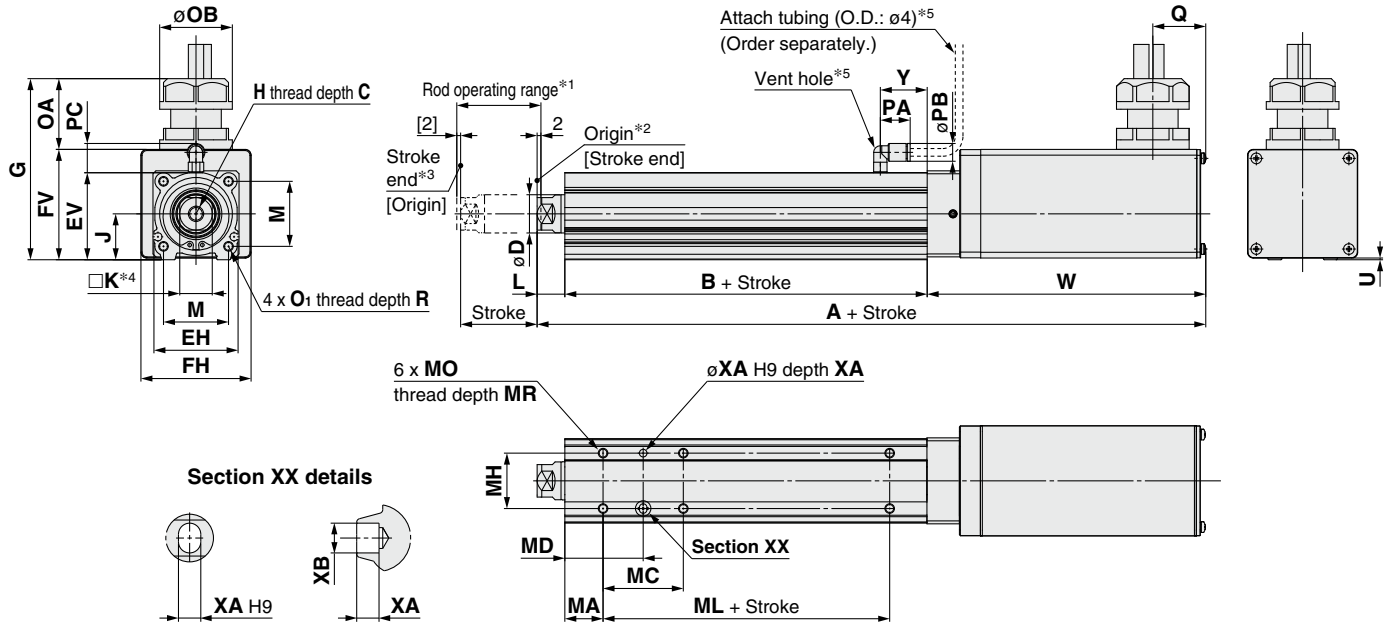
*5 The vent hole is the port for releasing to atmosphere. Do not apply pressure to this hole.

Attach tubing to the vent hole and place the end of the tubing so it is not exposed to dust or water.

For the rod end male thread, refer to page 67. For the mounting bracket dimensions, refer to page 101.

Dimensions

In-line motor type



Size	Stroke range [mm]	A		B	C	D	EH	EV	FH	FV	G	H	J	K	L
		Without lock	With lock												
25	15 to 100	250	300	89.5	13	20	44	45.5	57.6	57.7	94.7	M8 x 1.25	24	17	14.5
	101 to 400	275	325	114.5											
32	20 to 100	265.5	315.5	96	13	25	51	56.5	69.6	79.6	116.6	M8 x 1.25	31	22	18.5
	101 to 500	295.5	345.5	126											

Size	Stroke range [mm]	M	O ₁	R	OA	OB	PA	PB	Q	U	PC	W		Y
												Without lock	With lock	
25	15 to 100	34	M5 x 0.8	8	37	38	15.4	8.2	28	0.9	15.9	146	196	24.5
	101 to 400											151	201	
32	20 to 100	40	M6 x 1.0	10	37	38	15.4	8.2	28	1	15.9	151	201	27
	101 to 500											151	201	

Body Bottom Tapped

Size	Stroke range [mm]	MA	MC	MD	MH	ML	MO	MR	XA	XB
25	15 to 39	20	24	32	29	50	M5 x 0.8	6.5	4	5
	40 to 100		42	41						
	101 to 124		59	49.5		75				
	125 to 200		76	58						
	201 to 400		76	58						
32	20 to 39	25	22	36	30	50	M6 x 1	8.5	5	6
	40 to 100		36	43						
	101 to 124		53	51.5		80				
	125 to 200		53	51.5						
	201 to 500		70	60						

*1 This is the range within which the rod can move when it returns to origin. Make sure that workpieces mounted on the rod do not interfere with other workpieces or the facilities around the rod.

*2 Position after returning to origin

*3 [] for when the direction of return to origin has changed

*4 The direction of rod end width across flats (□K) differs depending on the products.

*5 The vent hole is the port for releasing to atmosphere. Do not apply pressure to this hole.

Attach tubing to the vent hole and place the end of the tubing so it is not exposed to dust or water.

For the rod end male thread, refer to page 67. For the mounting bracket dimensions, refer to page 101.

Model Selection

LEY

LEYG

LEY

LEYG

LEY

LEYG

LEY-X7

LEY-X5

25A-LEY

JXC51/61

LECA6

LEC-G

LECP1

LECPA

JXC□

LECS□

LECY□

Specific Product Precautions

Electric Actuator

Rod Type Dust-tight/Water-jet-proof (IP65 Equivalent)

LEY-X5 (Made to Order) Series LEY25, 32

The LECSB-S, LECS-C, and LECS-S electric actuator drivers are to be discontinued. The LECSB-T, LECS-C-T, and LECS-S-T drivers are available as substitutes. In the product number, select T6 instead of S6, or T7 instead of S7 for the **Motor type**, and select B2 instead of B1, C2 instead of C1, or S2 instead of S1 for the **Driver type**.

Refer to page 41 for model selection.

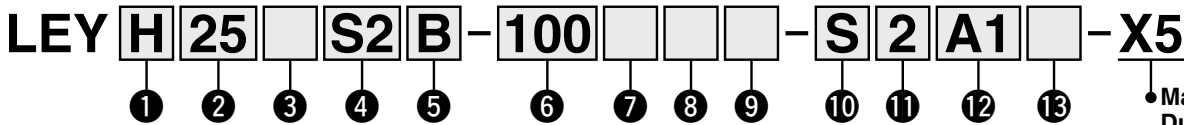
Size 63 is available by selecting option P. Refer to page 79.



* For details, refer to page 307 and onward.

LEY Series ▶ p. 187

How to Order



• Made to order:
Dust-tight/
Water-jet-proof

1 Accuracy

Nil	Basic type
H	High-precision type

2 Size

25
32

3 Motor mounting position

Nil	Top side parallel
D	In-line

4 Motor type

Symbol	Type	Output [W]	Actuator size	Compatible drivers
S2*1	AC servo motor (Incremental encoder)	100	25	LECSA□-S1
S3		200	32	LECSA□-S3
S6*1	AC servo motor (Absolute encoder)	100	25	LECSB□-S5 LECS-C□-S5 LECSS□-S5
S7		200	32	LECSB□-S7 LECS-C□-S7 LECSS□-S7
T6*2	AC servo motor (Absolute encoder)	100	25	LECSB2-T5 LECS-C2-T5 LECSN2-T5-□ LECSS2-T5
T7		200	32	LECSB2-T7 LECS-C2-T7 LECSN2-T7-□ LECSS2-T7

*1 For motor type S2 and S6, the compatible driver part number suffixes are S1 and S5 respectively.

*2 For motor type T6, the compatible driver part number is LECS□2-T5.

5 Lead [mm]

Symbol	LEY25□	LEY32□*1
A	12	16 (20)
B	6	8 (10)
C	3	4 (5)

*1 The values shown in () are the equivalent leads which include the pulley ratio for the size 32 top side parallel motor type.

6 Stroke [mm]

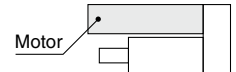
30	30
to	to
500	500

* For details, refer to the applicable stroke table below.

7 Motor option

Nil	Without option
B	With lock*1

*1 When "With lock" is selected for the top side parallel motor type, the motor body will stick out from the end of the body for size 25 with strokes of 30 mm or less. Check for interference with workpieces before selecting a model.



8 Rod end thread

Nil	Rod end female thread
M	Rod end male thread (1 rod end nut is included.)

9 Mounting*1

Symbol	Type	Motor mounting position	
		Parallel	In-line
Nil	Ends tapped/ Body bottom tapped*2	●	●
L	Foot bracket	●	—
F	Rod flange*2	●*3	●
G	Head flange*2	●*4	—

*1 The mounting bracket is shipped together with the product but does not come assembled.

*2 For the horizontal cantilever mounting of the rod flange, head flange, or ends tapped types, use the actuator within the following stroke range.

- LEY25: 200 mm or less
- LEY32: 100 mm or less

*3 The rod flange type is not available for the LEY25 with a 30 mm stroke and motor option "With lock."

*4 The head flange type is not available for the LEY32.

Applicable Stroke Table

Model	Stroke											Manufacturable stroke range [mm]
	30	50	100	150	200	250	300	350	400	450	500	
LEY25	●	●	●	●	●	●	●	●	●	—	—	15 to 400
LEY32	●	●	●	●	●	●	●	●	●	●	●	20 to 500

* Please contact SMC for non-standard strokes as they are produced as special orders.

* For auto switches, refer to pages 192 and 193.



10 Cable type*1 *2

Nil	Without cable
S	Standard cable
R	Robotic cable (Flexible cable)

*1 A motor cable and encoder cable are included with the product. (A lock cable is also included if motor option "B: With lock" is selected.)

*2 Standard cable entry direction is
 • Top side parallel: (A) Axis side
 • In-line: (B) Counter axis side
 (Refer to page 290 for details.)

11 Cable length [m]*1

Nil	Without cable
2	2
5	5
A	10

*1 The length of the encoder, motor, and lock cables are the same.

12 Driver type*1

	Compatible drivers	Power supply voltage [V]
Nil	Without driver	—
A1	LECSA1-S□	100 to 120
A2	LECSA2-S□	200 to 230
B1	LECSB1-S□	100 to 120
B2	LECSB2-S□	200 to 230
	LECSB2-T□	200 to 240
C1	LECS1-S□	100 to 120
C2	LECS2-S□	200 to 230
	LECS2-T□	
S1	LECSS1-S□	100 to 120
S2	LECSS2-S□	200 to 230
	LECSS2-T□	200 to 240
N2	LECSN2-T□	200 to 240
E2	LECSN2-T□-E	200 to 240
92	LECSN2-T□-9	200 to 240
P2	LECSN2-T□-P	200 to 240

*1 When a driver type is selected, a cable is included. Select the cable type and cable length.

Example)

S2S2: Standard cable (2 m) + Driver (LECSS2)

S2: Standard cable (2 m)

Nil: Without cable and driver

13 I/O cable length [m]*1

Nil	Without cable
H	Without cable (Connector only)
1	1.5

*1 When "Nil: Without driver" is selected for the driver type, only "Nil: Without cable" can be selected.

Refer to page 291 if an I/O cable is required. (Options are shown on page 291.)

Compatible Drivers

Driver type	Pulse input type /Positioning type	Pulse input type	CC-Link direct input type	SSCNET III type	Pulse input type	CC-Link direct input type	SSCNET III/H type	Network card type
Series	LECSA	LECSB	LECS1	LECSS	LECSB-T	LECS1-T	LECSS-T	LECSN-T
Number of point tables*1	Up to 7	—	Up to 255 (2 stations occupied)	—	Up to 255	Up to 255 (2 stations occupied)	—	Up to 255
Pulse input	○	○	—	—	○	—	—	—
Applicable network	—	—	CC-Link	SSCNET III	—	CC-Link	SSCNET III/H	PROFINET EtherCAT® EtherNet/IP™
Control encoder	Incremental 17-bit encoder	Absolute 18-bit encoder	Absolute 18-bit encoder	Absolute 18-bit encoder	Absolute 22-bit encoder	Absolute 18-bit encoder	Absolute 22-bit encoder	Absolute 22-bit encoder
Communication function	USB communication	USB communication, RS422 communication	—	USB communication	USB communication, RS422 communication	—	USB communication	—
Power supply voltage [V]	—	100 to 120 VAC (50/60 Hz) 200 to 230 VAC (50/60 Hz)	—	—	200 to 240 VAC (50/60 Hz)	200 to 230 VAC (50/60 Hz)	200 to 240 VAC (50/60 Hz)	200 to 240 VAC (50/60 Hz)
Reference page	269							

*1 The LECSN-T only supports PROFINET and EtherCAT®.

LEY-X5 Series

AC Servo Motor

Dust-tight/Water-jet-proof (IP65 Equivalent)

Specifications: LECSA/LECSB/LECSC/LECSN/LECSS

Model		LEY25S ₆ ² /T6-X5 /LEY25DS ₆ ² /T6-X5			LEY32S ₇ ³ /T7-X5 (Parallel)			LEY32DS ₇ ³ /T7-X5 (In-line)				
Actuator specifications	Work load [kg]	Horizontal* ¹		18	50	50	30	60	60	30	60	60
		Vertical* ⁸		8	16	30	9	19	37	12	24	46
	Force [N]* ² (Set value: 15 to 30%)* ¹²		65 to 131	127 to 255	242 to 485	79 to 157	154 to 308	294 to 588	98 to 197	192 to 385	368 to 736	
	Max. speed [mm/s]* ³	Stroke range	Up to 300	900	450	225	1200	600	300	1000	500	250
			305 to 400	600	300	150	800	400	200	640	320	160
			405 to 500	—	—	—	—	—	—	—	—	—
	Pushing speed [mm/s]* ⁴		35 or less			30 or less			30 or less			
	Max. acceleration/deceleration [mm/s ²]		5000			5000			5000			
	Positioning repeatability [mm]	Basic type					±0.02					
		High-precision type					±0.01					
	Lost motion [mm]* ⁵	Basic type					0.1 or less					
		High-precision type					0.05 or less					
	Lead [mm] (including pulley ratio)		12	6	3	20	10	5	16	8	4	
	Impact/Vibration resistance [m/s ²]* ⁶		50/20			50/20			50/20			
	Actuation type		Ball screw + Belt/Ball screw			Ball screw + Belt [1.25:1]			Ball screw			
Guide type		Sliding bushing (Piston rod)			Sliding bushing (Piston rod)			Sliding bushing (Piston rod)				
Enclosure* ⁷					IP65 equivalent							
Operating temperature range [°C]		5 to 40			5 to 40			5 to 40				
Operating humidity range [%RH]		90 or less (No condensation)			90 or less (No condensation)			90 or less (No condensation)				
Regeneration option		May be required depending on speed and work load (Refer to pages 43 and 44.)			May be required depending on speed and work load (Refer to pages 43 and 44.)			May be required depending on speed and work load (Refer to pages 43 and 44.)				
Motor output/Size		100 W/□40			200 W/□60			200 W/□60				
Motor type		AC servo motor (100/200 VAC)			AC servo motor (100/200 VAC)			AC servo motor (100/200 VAC)				
Encoder* ¹¹		Motor type S2, S3: Incremental 17-bit encoder (Resolution: 131072 p/rev) Motor type S6, S7: Absolute 18-bit encoder (Resolution: 262144 p/rev) Motor type T6, T7: Absolute 22-bit encoder (Resolution: 4194304 p/rev) (For LECSB-T□, LECSN-T□) Motor type T6, T7: Absolute 18-bit encoder (Resolution: 262144 p/rev) (For LECSC-T□)										
Power [W]* ⁹		Max. power 445			Max. power 724			Max. power 724				
Type* ¹⁰					Non-magnetizing lock							
Holding force [N]		131	255	485	157	308	588	197	385	736		
Power at 20°C [W]		6.3			7.9			7.9				
Rated voltage [V]					24 VDC ⁰ / _{-10%}							

- *1 This is the max. value of the horizontal work load. An external guide is necessary to support the load (Friction coefficient of guide: 0.1 or less). The actual work load changes according to the condition of the external guide. Confirm the load using the actual device.
- *2 The force setting range (set values for the driver) for the force control with the torque control mode. Set it while referencing the "Force Conversion Graph" on pages 45 and 46. The driver applicable to the pushing operation is "LECSS", "LECSB-T", and "LECSN-T". The LECSB2-T is only applicable when the control method is positioning. The point table is used to set the pushing operation settings.
To set the pushing operation settings, an additional dedicated file (pushing operation extension file) must be downloaded separately to be used with the setup software (MR Configurator2™: LEC-MRC2□). Please download this dedicated file from the SMC website: <https://www.smcworld.com>
When selecting the LECSN or LECSN2-T, combine it with upper level equipment (such as the Simple Motion module manufactured by Mitsubishi Electric Corporation) which has a pushing operation function.
** For customer-provided PLC and motion controller setting and usage instructions, confirm with the retailer or manufacturer.
- *3 The allowable speed changes according to the stroke.
- *4 The allowable collision speed for collision with the workpiece with the torque control mode
- *5 A reference value for correcting errors in reciprocal operation

- *6 Impact resistance: No malfunction occurred when the actuator was tested with a drop tester in both an axial direction and a perpendicular direction to the lead screw. (The test was performed with the actuator in the initial state.)
Vibration resistance: No malfunction occurred in a test ranging between 45 to 2000 Hz. The test was performed in both an axial direction and a perpendicular direction to the lead screw. (The test was performed with the actuator in the initial state.)
- *7 Cannot be used in an environment where oil such as cutting oil splashes or it is constantly exposed to water
Take appropriate protective measures. For details on enclosure, refer to the "Enclosure" on page 207.
- *8 When mounting vertically and using the product facing upwards in an environment where water is present, take necessary measures to prevent water from splashing on the rod cover, because water will accumulate on the rod seal due to the structure of the product.
- *9 Indicates the max. power during operation (including the driver)
When selecting the power supply capacity, refer to the power supply capacity in the operation manual of each driver.
- *10 Only when motor option "With lock" is selected
- *11 The resolution will change depending on the driver type.
- *12 For motor type T6 and T7, the set value is from 12 to 24%.

Weight

Product Weight

[kg]

Series		LEY25S ₆ ² /T6-X5 (Motor mounting position: Parallel)									LEY32S ₇ ³ /T7-X5 (Motor mounting position: Parallel)										
Stroke [mm]		30	50	100	150	200	250	300	350	400	30	50	100	150	200	250	300	350	400	450	500
Motor type	Incremental encoder	1.31	1.38	1.55	1.81	1.99	2.16	2.34	2.51	2.69	2.42	2.53	2.82	3.29	3.57	3.85	4.14	4.42	4.70	4.98	5.26
	Absolute encoder	1.37	1.44	1.61	1.87	2.05	2.22	2.40	2.57	2.75	2.36	2.47	2.76	3.23	3.51	3.79	4.08	4.36	4.64	4.92	5.20
		T6/T7	1.4	1.5	1.6	1.9	2.0	2.2	2.4	2.6	2.7	2.3	2.4	2.7	3.2	3.5	3.8	4.1	4.3	4.6	4.9

Series		LEY25DS ₆ ² /T6-X5 (Motor mounting position: In-line)									LEY32DS ₇ ³ /T7-X5 (Motor mounting position: In-line)										
Stroke [mm]		30	50	100	150	200	250	300	350	400	30	50	100	150	200	250	300	350	400	450	500
Motor type	Incremental encoder	1.34	1.41	1.58	1.84	2.02	2.19	2.37	2.54	2.72	2.44	2.55	2.84	3.31	3.59	3.87	4.16	4.44	4.72	5.00	5.28
	Absolute encoder	1.40	1.47	1.64	1.90	2.08	2.25	2.43	2.60	2.78	2.38	2.49	2.78	3.25	3.53	3.81	4.10	4.38	4.66	4.94	5.22
		T6/T7	1.4	1.5	1.6	1.9	2.1	2.2	2.4	2.6	2.8	2.4	2.5	2.8	3.2	3.5	3.8	4.1	4.4	4.6	4.9

Additional Weight

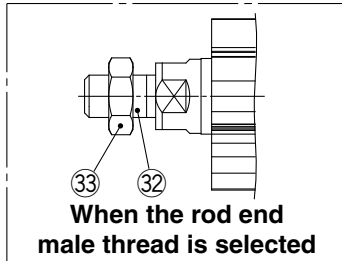
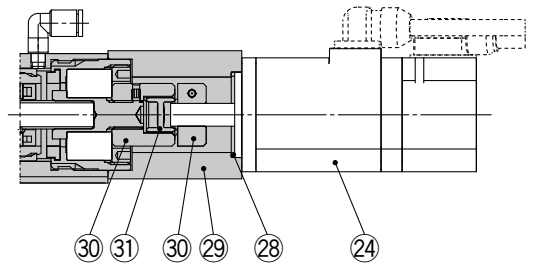
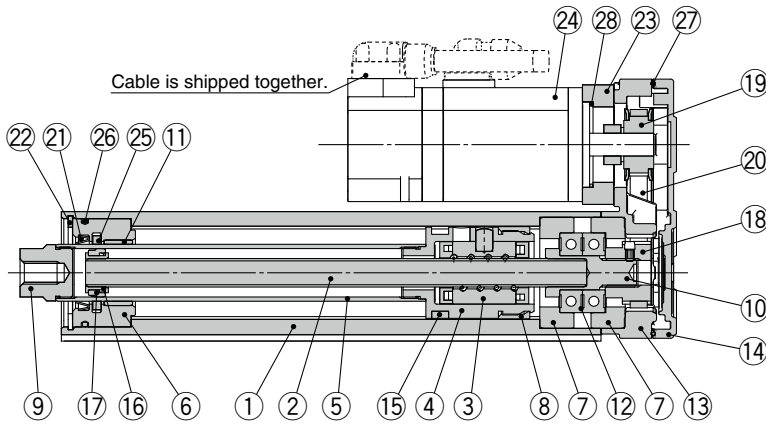
[kg]

Size		25	32
Lock	Incremental encoder	0.20	0.40
	Absolute encoder	0.30	0.66
Rod end male thread	Male thread	0.03	0.03
	Nut	0.02	0.02
Foot bracket (2 sets including mounting bolt)		0.08	0.14
Rod flange (including mounting bolt)		0.17	0.20
Head flange (including mounting bolt)			
Double clevis (including pin, retaining ring, and mounting bolt)		0.16	0.22

Construction

Top side parallel motor type: LEY²⁵₃₂

In-line motor type: LEY²⁵₃₂D



Component Parts

No.	Description	Material	Note
1	Body	Aluminum alloy	Anodized
2	Ball screw shaft	Alloy steel	
3	Ball screw nut	Synthetic resin/Alloy steel	
4	Piston	Aluminum alloy	
5	Piston rod	Stainless steel	Hard chrome plating
6	Rod cover	Aluminum alloy	
7	Bearing holder	Aluminum alloy	
8	Rotation stopper	Synthetic resin	
9	Socket	Free cutting carbon steel	Nickel plating
10	Connected shaft	Free cutting carbon steel	Nickel plating
11	Bushing	Bearing alloy	
12	Bearing	—	
13	Return box	Aluminum die-cast	Coating
14	Return plate	Aluminum die-cast	Coating
15	Magnet	—	
16	Wear ring holder	Stainless steel	Stroke 101 mm or more
17	Wear ring	Synthetic resin	Stroke 101 mm or more

No.	Description	Material	Note
18	Screw shaft pulley	Aluminum alloy	
19	Motor pulley	Aluminum alloy	
20	Belt	—	
21	Scraper	Synthetic resin	
22	Retaining ring	Steel for spring	Phosphate coating
23	Motor adapter	Aluminum alloy	Coating
24	Motor	—	
25	Lube-retainer	Felt	
26	O-ring	NBR	
27	Gasket	NBR	
28	O-ring	NBR	
29	Motor block	Aluminum alloy	Coating
30	Hub	Aluminum alloy	
31	Spider	Urethane	
32	Socket (Male thread)	Free cutting carbon steel	Nickel plating
33	Nut	Alloy steel	Trivalent chromating

Replacement Parts (Top side parallel only)/Belt

No.	Size	Order no.
20	25	LE-D-2-2
	32	LE-D-2-4

Replacement Parts/Grease Pack

Applied portion	Order no.
Piston rod	GR-S-010 (10 g)
	GR-S-020 (20 g)

* Apply grease to the piston rod periodically.
Grease should be applied when 1 million cycles or 200 km have been reached, whichever comes first.

Model Selection

Step Motor (Servo/24 VDC)/Servo Motor (24 VDC)

AC Servo Motor

Environment

Step Motor (Servo/24 VDC)/Servo Motor (24 VDC)

JXC

AC Servo Motor

Specific Product Precautions

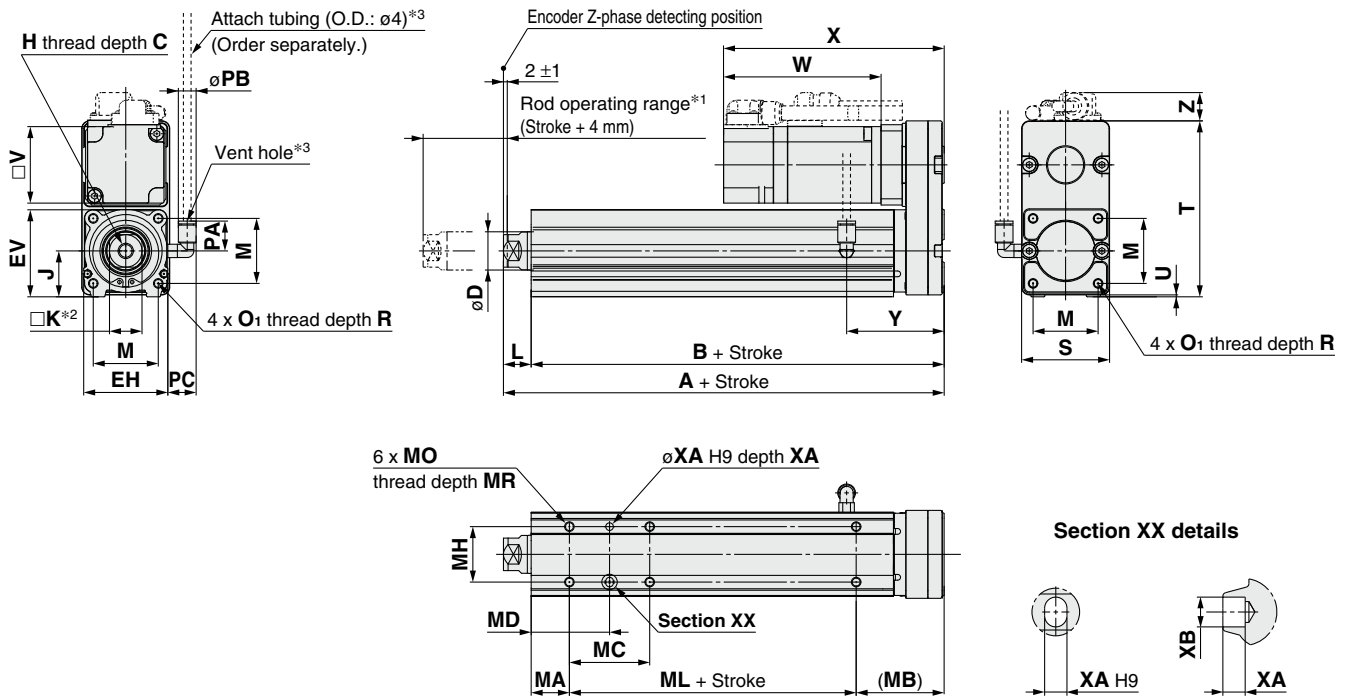
LEY-X5 Series

AC Servo Motor

Dust-tight/Water-jet-proof (IP65 Equivalent)

Dimensions

Top side parallel motor type: LEY₂₅²⁵/₃₂



																				[mm]
Size	Stroke range [mm]	A	B	C	D	EH	EV	H	J	K	L	M	O ₁	R	PA	PB	V	S	T	U
25	15 to 100	130.5	116	13	20	44	45.5	M8 x 1.25	24	17	14.5	34	M5 x 0.8	8	15.4	8.2	40	46	92	1
	101 to 400	155.5	141																	
32	20 to 100	148.5	130	13	25	51	56.5	M8 x 1.25	31	22	18.5	40	M6 x 1.0	10	15.4	8.2	60	60	118	1
	101 to 500	178.5	160																	

Size	Stroke range [mm]	PC	Incremental encoder						Absolute encoder [S6/S7]						Absolute encoder [T6/T7]						Y
			Without lock			With lock			Without lock			With lock			Without lock			With lock			
			W	X	Z	W	X	Z	W	X	Z	W	X	Z	W	X	Z	W	X	Z	
25	15 to 100	15.4	87	120	14.1	123.9	156.9	15.8	82.4	115.4	14.1	123.5	156.5	15.8	82.4	115.4	14.1	123	156	15.8	51
	101 to 400	15.4	87	120	14.1	123.9	156.9	15.8	82.4	115.4	14.1	123.5	156.5	15.8	82.4	115.4	14.1	123	156	15.8	51
32	20 to 100	15.9	88.2	128.2	17.1	116.8	156.8	17.1	76.6	116.6	17.1	116.1	156.1	17.1	76.6	116.6	17.1	113.4	153.4	17.1	61
	101 to 500	15.9	88.2	128.2	17.1	116.8	156.8	17.1	76.6	116.6	17.1	116.1	156.1	17.1	76.6	116.6	17.1	113.4	153.4	17.1	61

Body Bottom Tapped

												[mm]
Size	Stroke range [mm]	MA	MB	MC	MD	MH	ML	MO	MR	XA	XB	
25	15 to 39	20	46	24	32	29	50	M5 x 0.8	6.5	4	5	
	40 to 100			42	41							
	101 to 124			59	49.5							
	125 to 200			76	58							
	201 to 400			76	58							
32	20 to 39	25	55	22	36	30	50	M6 x 1	8.5	5	6	
	40 to 100			36	43							
	101 to 124			53	51.5							
	125 to 200			53	51.5							
	201 to 500			70	60							

*1 This is the range within which the rod can move. Make sure that workpieces mounted on the rod do not interfere with other workpieces or the facilities around the rod.

*2 The direction of rod end width across flats (□K) differs depending on the products.

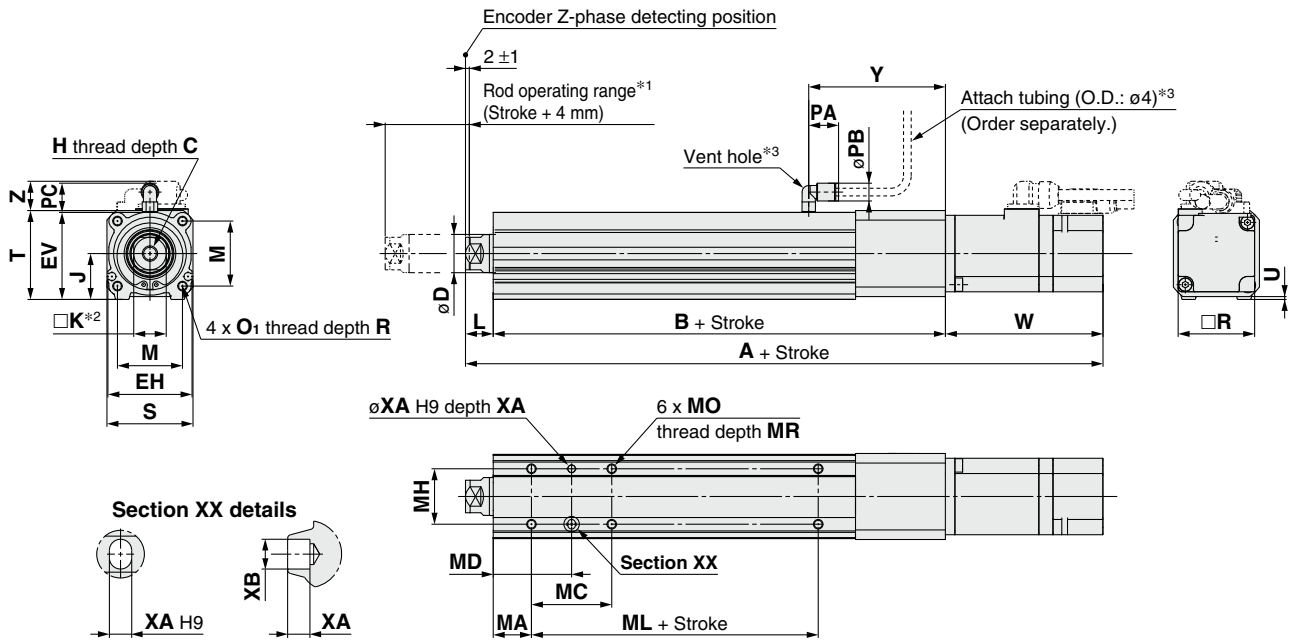
*3 The vent hole is the port for releasing to atmosphere. Do not apply pressure to this hole.

Attach tubing to the vent hole and place the end of the tubing so it is not exposed to dust or water.

For the rod end male thread, refer to page 77. For the mounting bracket dimensions, refer to page 101.

Dimensions

In-line motor type: LEY²⁵₃₂D



Size	Stroke range [mm]	Incremental encoder						Absolute encoder [S6/S7]						Absolute encoder [T6/T7]						B
		Without lock			With lock			Without lock			With lock			Without lock			With lock			
		A	W	Z	A	W	Z	A	W	Z	A	W	Z	A	VB	VC	A	VB	VC	
25	15 to 100	238	87	14.6	274.9	123.9	16.3	233.4	82.4	14.6	274.5	123.5	16.3	233.4	82.4	14.6	274	123	16.3	136.5
	101 to 400	263			299.9			258.4			299.5			258.4			299			161.5
32	20 to 100	262.7	88.2	17.1	291.3	116.8	17.1	251.1	76.6	17.1	290.6	116.1	17.1	251.1	76.6	17.1	287.9	113.4	17.1	156
	101 to 500	292.7			321.3			281.1			320.6			281.1			317.9			186

Size	Stroke range [mm]	C	D	EH	EV	H	J	K	L	M	O1	R	PA	PB	V	S	T	U	PC	Y
25	15 to 100	13	20	44	45.5	M8 x 1.25	24	17	14.5	34	M5 x 0.8	8	15.4	8.2	40	45	46.5	1.5	15.9	71.5
	101 to 400																			
32	20 to 100	13	25	51	56.5	M8 x 1.25	31	22	18.5	40	M6 x 1.0	10	15.4	8.2	60	60	61	1	15.9	87
	101 to 500																			

Body Bottom Tapped

Size	Stroke range [mm]	MA	MC	MD	MH	ML	MO	MR	XA	XB
25	15 to 39	20	24	32	29	50	M5 x 0.8	6.5	4	5
	40 to 100		42	41		75				
	101 to 124		59	49.5						
	125 to 200		76	58						
	201 to 400									
32	20 to 39	25	22	36	30	50	M6 x 1	8.5	5	6
	40 to 100		36	43		80				
	101 to 124		53	51.5						
	125 to 200									
	201 to 500		70	60						

*1 This is the range within which the rod can move. Make sure that workpieces mounted on the rod do not interfere with other workpieces or the facilities around the rod.

*2 The direction of rod end width across flats (□K) differs depending on the products.

*3 The vent hole is the port for releasing to atmosphere. Do not apply pressure to this hole.

Attach tubing to the vent hole and place the end of the tubing so it is not exposed to dust or water.

For the rod end male thread, refer to page 77. For the mounting bracket dimensions, refer to page 101.

Model Selection

LEY

LEYG

LEY

LEYG

LEY

LEYX7

LEYX5

25A-LEY

JXC51/61

LECA6

LEC-G

LECP1

LECPA

JXC□

LECS□

LECY□

Specific Product Precautions

Electric Actuator Rod Type

Dust-tight/Water-jet-proof (IP65 Equivalent)

LEY-X5 (Made to Order) Series LEY25, 32

Refer to page 49 for model selection.

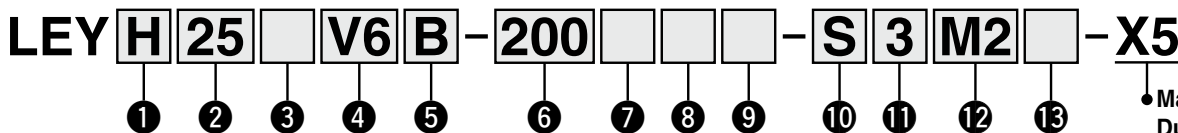
Size 63 is available by selecting option P. Refer to page 91.



* For details, refer to page 307 and onward.

LECS□ Series ▶ p. 181

How to Order



• Made to order:
Dust-tight/
Water-jet-proof

① Accuracy

Nil	Basic type
H	High-precision type

② Size

25
32

③ Motor mounting position

Nil	Top side parallel
D	In-line

④ Motor type

Symbol	Type	Output [W]	Size	Compatible drivers
V6*1	AC servo motor (Absolute encoder)	100	25	LECYM2-V5 LECYU2-V5
V7		200	32	LECYM2-V7 LECYU2-V7

*1 For motor type V6, the compatible driver part number suffix is V5.

⑤ Lead [mm]

Symbol	LEY25	LEY32
A	12	16 (20)
B	6	8 (10)
C	3	4 (5)

* The values shown in () are the leads for the top side parallel motor type. (Equivalent leads which include the pulley ratio [1.25:1])

⑥ Stroke [mm]

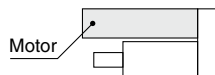
30	30
to	to
500	500

* For details, refer to the applicable stroke table below.

⑦ Motor option

Nil	Without option
B	With lock

* When "With lock" is selected for the top side parallel motor type, the motor body will stick out from the end of the body for size 25 with strokes of 30 mm or less. Check for interference with workpieces before selecting a model.



⑧ Rod end thread

Nil	Rod end female thread
M	Rod end male thread (1 rod end nut is included.)

Applicable Stroke Table

●: Standard

Model	Stroke [mm]	30	50	100	150	200	250	300	350	400	450	500	Manufacturable stroke range
LEY25		●	●	●	●	●	●	●	●	●	—	—	15 to 400
LEY32		●	●	●	●	●	●	●	●	●	●	●	20 to 500

* Please contact SMC for non-standard strokes as they are produced as special orders.

For auto switches, refer to pages 192 and 193.

Electric Actuator Rod Type **LEY-X5 Series**

AC Servo Motor

Dust-tight/Water-jet-proof (IP65 Equivalent)



Motor mounting position: Parallel



Motor mounting position: In-line

9 Mounting*1

Symbol	Type	Motor mounting position	
		Parallel	In-line
Nil	Ends tapped/ Body bottom tapped*2	●	●
L	Foot bracket	●	—
F	Rod flange*2	●*3	●
G	Head flange*2	●*4	—

*1 The mounting bracket is shipped together with the product but does not come assembled.

*2 For the horizontal cantilever mounting of the ends tapped, rod flange, or head flange types, use the actuator within the following stroke range.
· LEY25: 200 mm or less · LEY32: 100 mm or less

*3 The rod flange type is not available for the LEY25 with a 30 mm stroke and motor option "With lock."

*4 The head flange type is not available for the LEY32.

10 Cable type*1

Nil	Without cable
S	Standard cable
R	Robotic cable (Flexible cable)

*1 A motor cable and encoder cable are included with the product.

The motor cable for lock option is included when the motor with lock option is selected.

11 Cable length [m]*1

Nil	Without cable
3	3
5	5
A	10
C	20

*1 The length of the motor and encoder cables are the same. (For with lock)

12 Driver type

	Compatible drivers	Power supply voltage [V]
Nil	Without driver	—
M2	LECYM2-V□	200 to 230
U2	LECYU2-V□	200 to 230

* When a driver type is selected, a cable is included. Select the cable type and cable length.



13 I/O cable length [m]*1

Nil	Without cable
H	Without cable (Connector only)
1	1.5

*1 When "Nil: Without driver" is selected for the driver type, only "Nil: Without cable" can be selected.

Refer to page 302 if an I/O cable is required. (Options are shown on page 302.)

Compatible Drivers

Driver type	MECHATROLINK-II type	MECHATROLINK-III type
		
Series	LECYM	LECYU
Applicable network	MECHATROLINK-II	MECHATROLINK-III
Control encoder	Absolute 20-bit encoder	
Communication device	USB communication, RS-422 communication	
Power supply voltage [V]	200 to 230 VAC (50/60 Hz)	
Reference page	295	

Model Selection

Step Motor (Servo/24 VDC)/Servo Motor (24 VDC)
LEY
LEYG

AC Servo Motor
LEY

LEYG

Environment
LEY-X7

LEY-X5

25A-LEY

JXC51/61

LECA6

LEC-G

LECP1

LECPA

JXC□

LECS□

LECY□

Specific Product Precautions

LEY-X5 Series

AC Servo Motor

Dust-tight/Water-jet-proof (IP65 Equivalent)

Specifications: LECY

Model		LEY25V6-X5/LEY25DV6-X5				LEY32V7-X5 (Parallel)			LEY32DV7-X5 (In-line)			
Actuator specifications	Work load [kg]	Horizontal ^{*1}	18	50	50	30	60	60	30	60	60	
		Vertical ^{*9}	8	16	30	9	19	37	12	24	46	
	Force [N] ^{*2} (Set value: 45 to 90%)		65 to 131	127 to 255	242 to 485	79 to 157	154 to 308	294 to 588	98 to 197	192 to 385	368 to 736	
	Max. speed [mm/s]	Stroke range	Up to 300	900	450	225	1200	600	300	1000	500	250
			305 to 400	600	300	150						
			405 to 500	—	—	—	800	400	200	640	320	160
	Pushing speed [mm/s] ^{*4}		35 or less				30 or less			30 or less		
	Max. acceleration/deceleration [mm/s ²]		5000				5000					
	Positioning repeatability [mm]	Basic type		±0.02				±0.02				
		High-precision type		±0.01				±0.01				
	Lost motion [mm] ^{*5}	Basic type		0.1 or less				0.1 or less				
		High-precision type		0.05 or less				0.05 or less				
	Lead [mm] (including pulley ratio)		12	6	3	20 ^{*6}	10 ^{*6}	5 ^{*6}	16	8	4	
	Impact/Vibration resistance [m/s ²] ^{*7}		50/20				50/20					
	Actuation type		Ball screw + Belt (LEY□)/Ball screw (LEY□)				Ball screw + Belt [1.25:1]			Ball screw		
Guide type		Sliding bushing (Piston rod)				Sliding bushing (Piston rod)						
Enclosure ^{*8}		IP65 equivalent										
Operating temperature range [°C]		5 to 40				5 to 40						
Operating humidity range [%RH]		90 or less (No condensation)				90 or less (No condensation)						
Required conditions for the regenerative resistor ^{*10} [kg]	Horizontal		Not required				Not required					
	Vertical		6 or more				4 or more					
Motor output/Size		100 W/□40				200 W/□60						
Motor type		AC servo motor (200 VAC)				AC servo motor (200 VAC)						
Encoder		Absolute 20-bit encoder (Resolution: 1048576 p/rev)										
Power [W] ^{*11}	Type ^{*12}		Max. power 445				Max. power 724			Max. power 724		
			Non-magnetizing lock									
Lock unit specifications	Holding force [N]		131	255	485	157	308	588	197	385	736	
	Power at 20°C [W]		5.5				6			6		
	Rated voltage [V]		24 VDC ^{+10%} / ₀									

- *1 This is the max. value of the horizontal work load. An external guide is necessary to support the load (Friction coefficient of guide: 0.1 or less). The actual work load changes according to the condition of the external guide. Confirm the load using the actual device.
- *2 The force setting range (set values for the driver) for the force control with the torque control mode
Set it while referencing the "Force Conversion Graph (Guide)" on page 53.
- *3 The allowable speed changes according to the stroke.
- *4 The allowable collision speed for collision with the workpiece with the torque control mode
- *5 A reference value for correcting errors in reciprocal operation
- *6 Equivalent leads which include the pulley ratio [1.25:1]
- *7 Impact resistance: No malfunction occurred when the actuator was tested with a drop tester in both an axial direction and a perpendicular direction to the lead screw. (The test was performed with the actuator in the initial state.)
Vibration resistance: No malfunction occurred in a test ranging between 45 to 2000 Hz. The test was performed in both an axial direction and a perpendicular direction to the lead screw. (The test was performed with the actuator in the initial state.)

- *8 Cannot be used in an environment where oil such as cutting oil splashes or it is constantly exposed to water
Take appropriate protective measures. For details on enclosure, refer to the "Enclosure" on page 207.
- *9 When mounting vertically and using the product facing upwards in an environment where water is present, take necessary measures to prevent water from splashing on the rod cover, because water will accumulate on the rod seal due to the structure of the product.
- *10 The work load conditions which require the regenerative resistor when operating at the max. speed (Duty ratio: 100%). Order the regenerative resistor separately. For details, refer to the "Required Conditions for the Regenerative Resistor (Guide)" on pages 51 and 52.
- *11 Indicates the max. power during operation (including the driver)
When selecting the power supply capacity, refer to the power supply capacity in the operation manual of each driver.
- *12 Only when motor option "With lock" is selected

Weight

Product Weight

Series	LEY25V6 (Motor mounting position: Parallel)										LEY32V7 (Motor mounting position: Parallel)									
Stroke [mm]	30	50	100	150	200	250	300	350	400	30	50	100	150	200	250	300	350	400	450	500
Weight [kg]	1.2	1.3	1.6	1.7	1.9	2.1	2.2	2.4	2.6	2.3	2.4	2.7	3.2	3.5	3.8	4.0	4.3	4.6	4.9	5.2

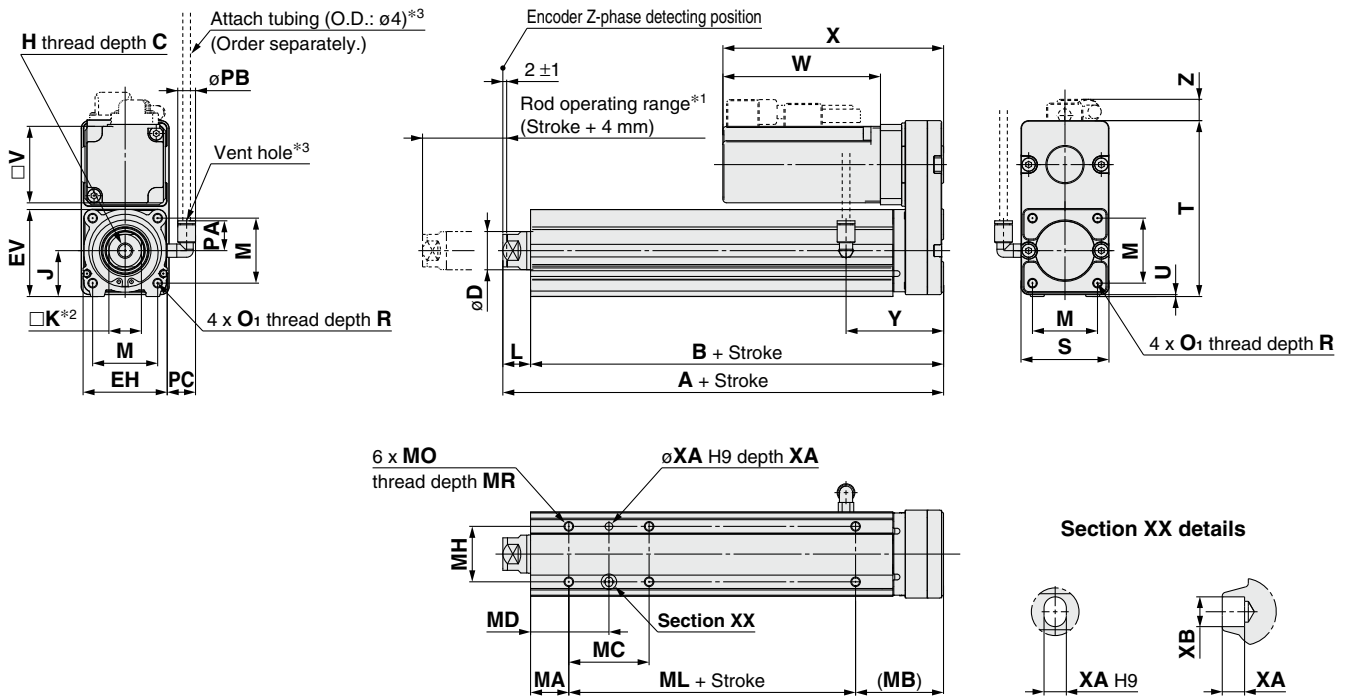
Series	LEY25DV6 (Motor mounting position: In-line)										LEY32DV7 (Motor mounting position: In-line)									
Stroke [mm]	30	50	100	150	200	250	300	350	400	30	50	100	150	200	250	300	350	400	450	500
Weight [kg]	1.2	1.3	1.5	1.7	1.9	2.1	2.3	2.4	2.6	2.3	2.4	2.7	3.2	3.5	3.8	4.1	4.3	4.6	4.9	5.2

Additional Weight

Size		25	32
Lock		0.30	0.60
Rod end male thread	Male thread	0.03	0.03
	Nut	0.02	0.02
Foot bracket (2 sets including mounting bolt)		0.08	0.14
Rod flange (including mounting bolt)		0.17	0.20
Head flange (including mounting bolt)			

Dimensions

Top side parallel motor type: LEY²⁵₃₂



Size	Stroke range [mm]	A	B	C	D	EH	EV	H	J	K	L	M	O ₁	R	PA	PB	V
25	15 to 100	130.5	116	13	20	44	45.5	M8 x 1.25	24	17	14.5	34	M5 x 0.8	8	15.4	8.2	40
	101 to 400	155.5	141														
32	20 to 100	148.5	130	13	25	51	56.5	M8 x 1.25	31	22	18.5	40	M6 x 1.0	10	15.4	8.2	60
	101 to 500	178.5	160														

Size	Stroke range [mm]	S	T	U	PC	Without lock			With lock			Y
						W	X	Z	W	X	Z	
25	15 to 100	46	92	1	15.4	82.5	115.5	11	127.5	160.5	11	51
	101 to 400											
32	20 to 100	60	118	1	15.9	80	120	14	120	160	14	61
	101 to 500											

Body Bottom Tapped

Size	Stroke range [mm]	MA	MB	MC	MD	MH	ML	MO	MR	XA	XB
25	15 to 39	20	46	24	32	29	50	M5 x 0.8	6.5	4	5
	40 to 100			42	41						
	101 to 124			59	49.5						
	125 to 200			76	58						
	201 to 400			76	58						
32	20 to 39	25	55	22	36	30	50	M6 x 1	8.5	5	6
	40 to 100			36	43						
	101 to 124			53	51.5						
	125 to 200			53	51.5						
	201 to 500			70	60						

*1 This is the range within which the rod can move. Make sure that workpieces mounted on the rod do not interfere with other workpieces or the facilities around the rod.
 *2 The direction of rod end width across flats (□K) differs depending on the products.
 *3 The vent hole is the port for releasing to atmosphere. Do not apply pressure to this hole. Attach tubing to the vent hole and place the end of the tubing so it is not exposed to dust or water.

For the rod end male thread, refer to page 99. For the mounting bracket dimensions, refer to page 101.

Model Selection

LEY

LEYG

LEY

LEYG

LEY

LEYG

LEY-X7

Environment LEY-X5

25A-LEY

JXC51/61

LECA6

LECG

LECP1

LECPA

JXC□

AC Servo Motor LECS□

LECY□

Specific Product Precautions

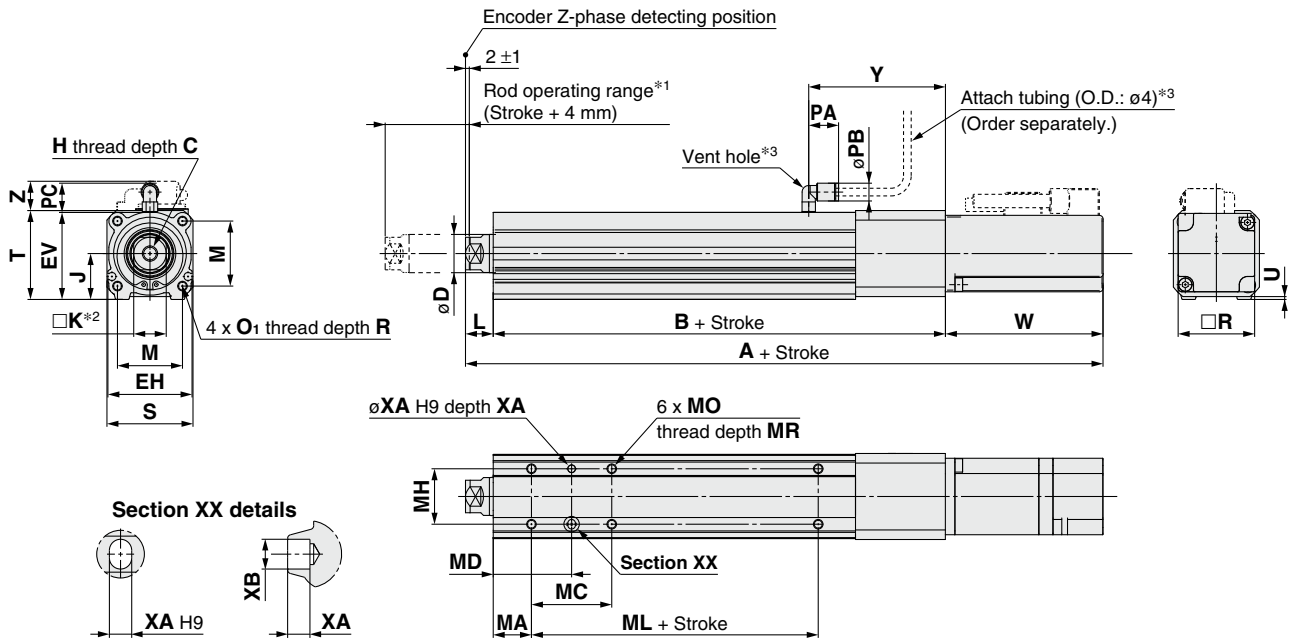
LEY-X5 Series

AC Servo Motor

Dust-tight/Water-jet-proof (IP65 Equivalent)

Dimensions

In-line motor type: LEY²⁵₃₂D



[mm]

Size	Stroke range [mm]	Without lock			With lock			B	C	D	EH	EV
		A	W	Z	A	W	Z					
25	15 to 100	233.5	82.5	11.5	278.5	127.5	11.5	136.5	13	20	44	45.5
	101 to 400	258.5			303.5			161.5				
32	20 to 100	254.5	80	14	294.5	120	14	156	13	25	51	56.5
	101 to 500	284.5			324.5			186				

Size	Stroke range [mm]	H	J	K	L	M	O ₁	R	PA	PB	V	S	T	U	PC	Y
25	15 to 100	M8 x 1.25	24	17	14.5	34	M5 x 0.8	8	15.4	8.2	40	45	46.5	1.5	15.9	71.5
	101 to 400															
32	20 to 100	M8 x 1.25	31	22	18.5	40	M6 x 1.0	10	15.4	8.2	60	60	61	1	15.9	87
	101 to 500															

Body Bottom Tapped

[mm]

Size	Stroke range [mm]	MA	MC	MD	MH	ML	MO	MR	XA	XB
25	15 to 39	20	24	32	29	50	M5 x 0.8	6.5	4	5
	40 to 100		42	41		75				
	101 to 124		59	49.5						
	125 to 200		76	58						
	201 to 400		76	58						
32	20 to 39	25	22	36	30	50	M6 x 1	8.5	5	6
	40 to 100		36	43		80				
	101 to 124		53	51.5						
	125 to 200		70	60						
	201 to 500		70	60						

*1 This is the range within which the rod can move. Make sure that workpieces mounted on the rod do not interfere with other workpieces or the facilities around the rod.

*2 The direction of rod end width across flats (□K) differs depending on the products.

*3 The vent hole is the port for releasing to atmosphere. Do not apply pressure to this hole.

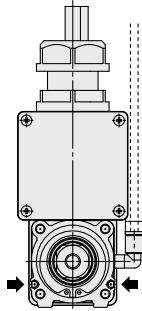
Attach tubing to the vent hole and place the end of the tubing so it is not exposed to dust or water.

For the rod end male thread, refer to page 99. For the mounting bracket dimensions, refer to page 101.

LEY-X5 Series Auto Switch Mounting

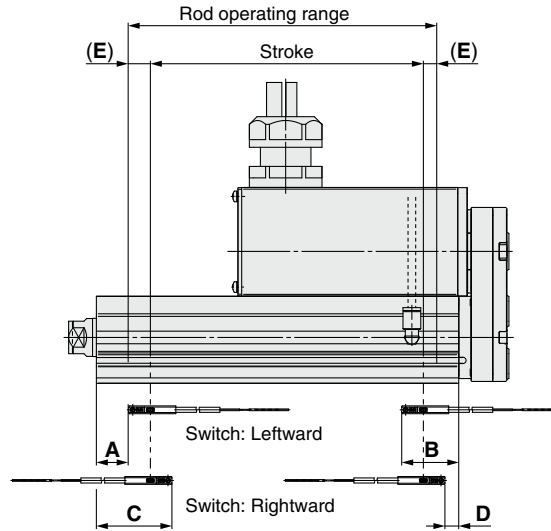
Auto Switch Proper Mounting Position

Applicable auto switch: D-M9□A(V)



LEY25, 32

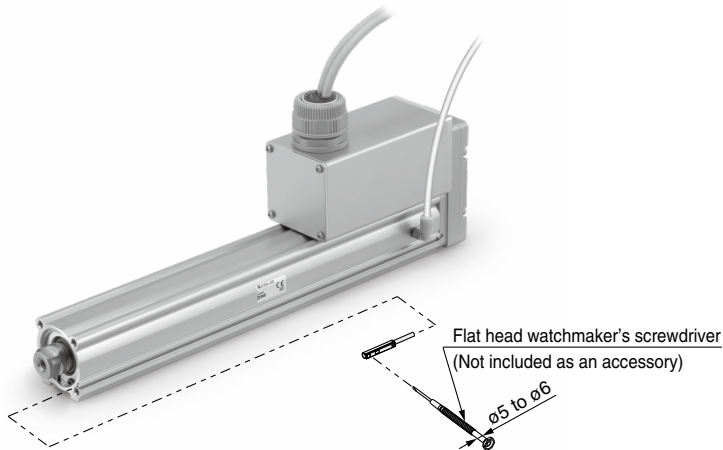
➔ Switch mounting groove



Size	Stroke range	Auto switch position				Return to origin distance	Operating range
		Leftward mounting		Rightward mounting			
		A	B	C	D		
25	15 to 100	27	62.5	39	50.5	(2)	4.2
	105 to 400	52		64			
32	20 to 100	30.5	85.5	42.5	53.5	(2)	4.9
	105 to 500	90.5		102.5			

- * The values in the table above are to be used as a reference when mounting auto switches for stroke end detection. Adjust the auto switch after confirming the operating conditions in the actual setting.
- * An auto switch cannot be mounted on the same side as a motor.
- * For LEYG series models (with a guide), an auto switch cannot be mounted on the guide attachment side (rod side).
- * Since the operating range is provided as a guideline including hysteresis, it cannot be guaranteed (assuming approx. $\pm 30\%$ dispersion). It may change substantially depending on the ambient environment.

Auto Switch Mounting



Tightening Torque for Auto Switch Mounting Screw [N·m]

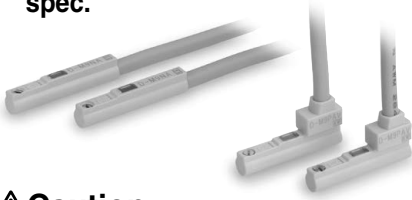
Auto switch model	Tightening torque
D-M9□A(V)	0.05 to 0.10

- * When tightening the auto switch mounting screw (included with the auto switch), use a watchmaker's screwdriver with a handle diameter of 5 to 6 mm.

Water Resistant 2-Color Indicator Solid State Auto Switch: Direct Mounting Type D-M9NA(V)/D-M9PA(V)/D-M9BA(V)

Grommet

- Water (coolant) resistant type
- 2-wire load current is reduced (2.5 to 40 mA).
- The proper operating range can be determined by the color of the light. (Red → Green ← Red)
- Using flexible cable as standard spec.



Caution

Precautions

Fix the auto switch with the existing screw installed on the auto switch body. The auto switch may be damaged if a screw other than the one supplied is used. Please contact SMC if using coolant liquid other than water based solution.

Weight

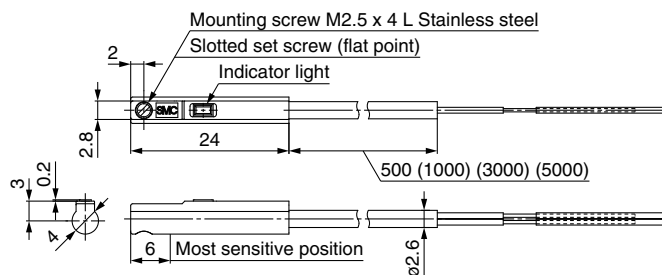
[g]

Auto switch model	D-M9NA(V)	D-M9PA(V)	D-M9BA(V)
Lead wire length			
0.5 m (Nil)	8	7	
1 m (M)	14	13	
3 m (L)	41	38	
5 m (Z)	68	63	

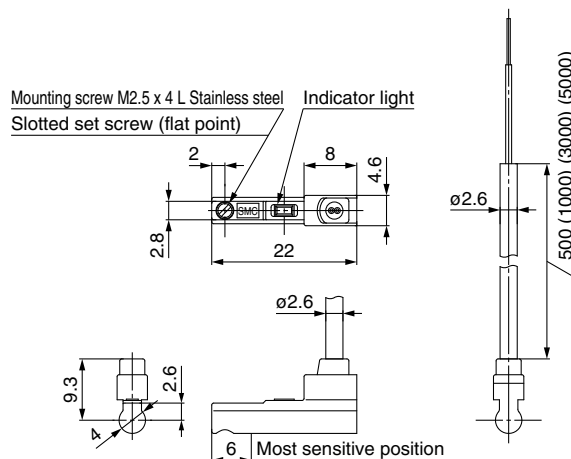
Dimensions

[mm]

D-M9□A



D-M9□AV



Auto Switch Specifications

PLC: Programmable Logic Controller

D-M9□A, D-M9□AV (With indicator light)						
Auto switch model	D-M9NA	D-M9NAV	D-M9PA	D-M9PAV	D-M9BA	D-M9BAV
Electrical entry direction	In-line	Perpendicular	In-line	Perpendicular	In-line	Perpendicular
Wiring type	3-wire				2-wire	
Output type	NPN		PNP		—	
Applicable load	IC circuit, Relay, PLC				24 VDC relay, PLC	
Power supply voltage	5, 12, 24 VDC (4.5 to 28 V)				—	
Current consumption	10 mA or less				—	
Load voltage	28 VDC or less		—		24 VDC (10 to 28 VDC)	
Load current	40 mA or less				2.5 to 40 mA	
Internal voltage drop	0.8 V or less at 10 mA (2 V or less at 40 mA)				4 V or less	
Leakage current	100 μA or less at 24 VDC				0.8 mA or less	
Indicator light	Operating range Red LED illuminates. Proper operating range Green LED illuminates.					
Standard	CE marking (EMC directive/RoHS directive)					

Oilproof Flexible Heavy-duty Lead Wire Specifications

Auto switch model		D-M9NA□	D-M9NAV□	D-M9PA□	D-M9PAV□	D-M9BA□	D-M9BAV□
Sheath	Outside diameter [mm]	2.6					
Insulator	Number of cores	3 cores (Brown/Blue/Black)			2 cores (Brown/Blue)		
	Outside diameter [mm]	0.88					
Conductor	Effective area [mm ²]	0.15					
	Strand diameter [mm]	0.05					
Min. bending radius [mm]		17					

* Refer to the **Web Catalog** for solid state auto switch common specifications.

* Refer to the **Web Catalog** for lead wire lengths.

Specific Product Precautions	AC Servo Motor		Step Motor (Servo/24 VDC)/Servo Motor (24 VDC)				Environment		AC Servo Motor		Step Motor (Servo/24 VDC)/Servo Motor (24 VDC)		Model Selection	
	LECY <input type="checkbox"/>	LECS <input type="checkbox"/>	JXC <input type="checkbox"/>	LECPA	LECP1	LEC-G	LECA6	JXC51/61	25A-LEY	LEY-X5	LEY-X7	LEYG		LEY

Electric Actuator Rod Type

Secondary Battery Compatible



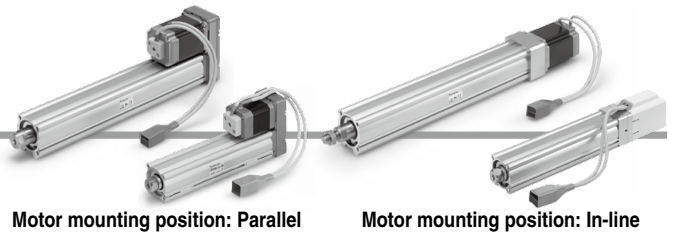
* For details, refer to page 307 and onward.

25A-LEY Series LEY16, 25, 32, 40



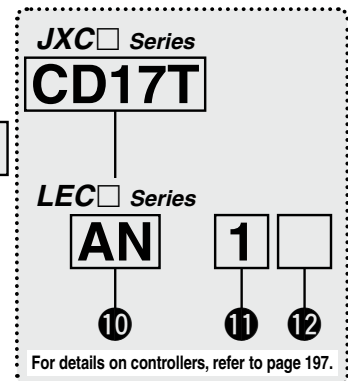
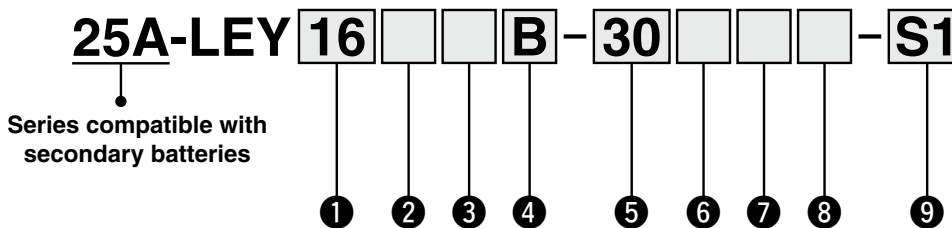
Refer to page 35 for model selection.

How to Order



Motor mounting position: Parallel

Motor mounting position: In-line



1 Size

16
25
32
40

2 Motor mounting position

Nil	Top side parallel
R	Right side parallel
L	Left side parallel
D	In-line

3 Motor type

Symbol	Type	Applicable size			Compatible controllers/ drivers
		LEY16	LEY25	LEY32/40	
Nil	Step motor (Servo/24 VDC)	●	●	●	JXC51 JXCD1 LECP1 JXC61 JXCL1 LECPA JXCE1 JXCM1 JXC91 JXCP1
A	Servo motor (24 VDC)	●	●	—	LECA6

4 Lead [mm]

Symbol	LEY16	LEY25	LEY32/40
A	10	12	16
B	5	6	8
C	2.5	3	4

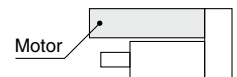
5 Stroke [mm]

30	30
to	to
500	500

* For details, refer to the applicable stroke table below.

6 Motor option*2

Nil	Without option
C	With motor cover
W	With lock/motor cover



7 Rod end thread

Nil	Rod end female thread
M	Rod end male thread (1 rod end nut is included.)

8 Mounting*5

Symbol	Type	Motor mounting position	
		Parallel	In-line
Nil	Ends tapped/Body bottom tapped*6	●	●
L	Foot bracket	●	—
F	Rod flange*6	●*8	●
G	Head flange*6	●*9	—
D	Double clevis*7	●	—

9 Actuator cable type/length*11

Standard cable [m]		Robotic cable [m]			
Symbol	Length	Symbol	Length	Symbol	Length
Nil	None	R1	1.5	RA	10*10
S1	1.5*12	R3	3	RB	15*10
S3	3*12	R5	5	RC	20*10
S5	5*12	R8	8*10		

Mounting Bracket Part Nos. for the 25A- Series*4

Applicable size	Foot bracket*3	Flange	Double clevis
16	25-LEY-L016	25-LEY-F016	25-LEY-D016
25	25-LEY-L025	25-LEY-F025	25-LEY-D025
32, 40	25-LEY-L032	25-LEY-F032	25-LEY-D032
Surface treatment	RAYDENT®	RAYDENT®	Coating (Size 16: Electroless nickel plating)

Solid state auto switches should be ordered separately. For details on auto switches, refer to page 203.

Applicable auto switches

D-M9N(V)-900, D-M9P(V)-900, D-M9B(V)-900
D-M9NW(V)-900, D-M9PW(V)-900, D-M9BW(V)-900

Applicable Stroke Table*1

Model	Stroke [mm]	Stroke [mm]										Manufacturable stroke range	
		30	50	100	150	200	250	300	350	400	450		500
25A-LEY16		●	●	●	●	●	●	●	—	—	—	—	10 to 300
25A-LEY25		●	●	●	●	●	●	●	●	—	—	—	15 to 400
25A-LEY32/40		●	●	●	●	●	●	●	●	●	●	●	20 to 500

●: Standard

Electric Actuator Rod Type **25A-LEY Series**

Step Motor (Servo/24 VDC)

Servo Motor (24 VDC)

Secondary Battery Compatible

JXC Series (For details, refer to page 197.)

10 Controller

Nil	Without controller
C□1□□	With controller



(Communication protocol/Input/Output)

5	Parallel input (NPN)	P	PROFINET
6	Parallel input (PNP)	D	DeviceNet™
E	EtherCAT®	L	IO-Link
9	EtherNet/IP™	M	CC-Link Ver. 1.10

Interface

Mounting

7	Screw mounting
8*17	DIN rail

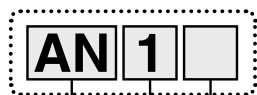
• For single axis



Communication plug connector, I/O cable*18

Symbol	Type	Applicable interface
Nil	Without accessory	—
S	Straight type communication plug connector	DeviceNet™ CC-Link Ver. 1.10
T	T-branch type communication plug connector	DeviceNet™ CC-Link Ver. 1.10
1	I/O cable (1.5 m)	Parallel input (NPN) Parallel input (PNP)
3	I/O cable (3 m)	
5	I/O cable (5 m)	

LEC Series (For details, refer to page 197.)



10 Controller/Driver type*12

Nil	Without controller/driver	
6N	LECA6	NPN
6P	(Step data input type)	PNP
1N	LECP1*13	NPN
1P	(Programless type)	PNP
AN	LECPA*13 *14	NPN
AP	(Pulse input type)	PNP

11 I/O cable length*15

Nil	Without cable (Without communication plug connector)
1	1.5 m
3	3 m*16
5	5 m*16

12 Controller/Driver mounting

Nil	Screw mounting
D	DIN rail*17



- *1 Please contact SMC for non-standard strokes as they are produced as special orders.
- *2 When "With lock" or "With lock/motor cover" is selected for the top/right/left side parallel motor types, the motor body will stick out from the end of the body for size 16/40 with strokes of 30 mm or less. Check for interference with workpieces before selecting a model.
- *3 When ordering foot brackets, order 2 pieces per actuator.
- *4 Parts belonging to each bracket are as follows.
Foot bracket, Flange: Body mounting bolt, Double clevis: Clevis pin, Type C retaining ring for axis, Body mounting bolt
- *5 The mounting bracket is shipped together with the product but does not come assembled.
- *6 For the horizontal cantilever mounting of the rod flange, head flange, or ends tapped types, use the actuator within the following stroke range.
-LEY25: 200 mm or less -LEY32/40: 100 mm or less
- *7 For the mounting of the double clevis type, use the actuator within the following stroke range.
-LEY16: 100 mm or less -LEY25: 200 mm or less -LEY32/40: 200 mm or less
- *8 The rod flange type is not available for the LEY16/40 with a 30 mm stroke and motor option "With lock," "With lock/motor cover."
- *9 The head flange type is not available for the LEY32/40.
- *10 Produced upon receipt of order (Robotic cable only)

- *11 The standard cable should only be used on fixed parts. For use on moving parts, select the robotic cable. Refer to pages 258 and 259 if only the actuator cable is required.
- *12 For details on controllers/drivers and compatible motors, refer to the compatible controllers/drivers on the next page.
- *13 Only available for the motor type "Step motor"
- *14 When pulse signals are open collector, order the current limiting resistor (LEC-PA-R-□) on page 240 separately.
- *15 When "Without controller/driver" is selected for controller/driver types, I/O cable cannot be selected. Refer to page 224 (For LECA6), page 234 (For LECP1), or page 240 (For LECPA) if I/O cable is required.
- *16 When "Pulse input type" is selected for controller/driver types, pulse input usable only with differential. Only 1.5 m cables usable with open collector
- *17 The DIN rail is not included. It must be ordered separately.
- *18 Select "Nil" for anything other than DeviceNet™, CC-Link, or parallel input.
Select "Nil," "S," or "T" for DeviceNet™ or CC-Link.
Select "Nil," "1," "3," or "5" for parallel input.

⚠ Caution

[CE-compliant products]

① EMC compliance was tested by combining the electric actuator LEY series and the controller LEC/JXC series.

The EMC depends on the configuration of the customer's control panel and the relationship with other electrical equipment and wiring. Therefore, compliance with the EMC directive cannot be certified for SMC components incorporated into the customer's equipment under actual operating conditions. As a result, it is necessary for the customer to verify compliance with the EMC directive for the machinery and equipment as a whole.

② For the servo motor (24 VDC) specification, EMC compliance was tested by installing a noise filter set (LEC-NFA). Refer to page 224 for the noise filter set. Refer to the LECA series Operation Manual for installation.

[UL-compliant products (For the LEC series)]

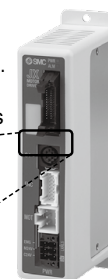
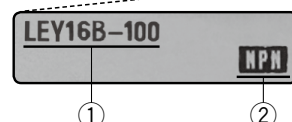
When compliance with UL is required, the electric actuator and controller/driver should be used with a UL1310 Class 2 power supply.

The actuator and controller/driver are sold as a package.

Confirm that the combination of the controller/driver and actuator is correct.

<Check the following before use.>

- ① Check the actuator label for the model number (after "25A-"). This number should match that of the controller/driver.
- ② Check that the Parallel I/O configuration matches (NPN or PNP).



* Refer to the Operation Manual for using the products. Please download it via our website: <https://www.smcworld.com>

Model Selection
 LEY
 LEYG
 LEY
 LEYG
 Environment
 LEY-X7
 LEY-X5
 25A-LEY
 JXC51/61
 LECA6
 LEC-G
 LECP1
 LECPA
 JXC□
 LECS□
 LECY□
 Specific Product Precautions





25A-LEY Series







Step Motor (Servo/24 VDC)

Servo Motor (24 VDC)

Secondary Battery Compatible

Compatible Controllers/Drivers

Type	Step data input type	Step data input type	Programless type	Pulse input type
				
Series	JXC51 JXC61	LECA6	LECP1	LECPA
Features	Parallel I/O		Capable of setting up operation (step data) without using a PC or teaching box	Operation by pulse signals
Compatible motor	Step motor (Servo/24 VDC)	Servo motor (24 VDC)	Step motor (Servo/24 VDC)	
Max. number of step data	64 points		14 points	—
Power supply voltage	24 VDC			
Reference page	211	218	229	235

Type	EtherCAT® direct input type	EtherNet/IP™ direct input type	PROFINET direct input type	DeviceNet™ direct input type	IO-Link direct input type	CC-Link direct input type
						
Series	JXCE1	JXC91	JXCP1	JXCD1	JXCL1	JXCM1
Features	EtherCAT® direct input	EtherNet/IP™ direct input	PROFINET direct input	DeviceNet™ direct input	IO-Link direct input	CC-Link direct input
Compatible motor	Step motor (Servo/24 VDC)					
Max. number of step data	64 points					
Power supply voltage	24 VDC					
Reference page	241					

Specific Product
Precautions

AC Servo Motor
LECY LECS

Step Motor (Servo/24 VDC)/Servo Motor (24 VDC)
JXC LECPA LECPI LEC-G LEC-A6 JXC51/61

Environment
25A-LEY LEY-X5 LEY-X7

AC Servo Motor
LEYG LEY

Step Motor (Servo/24 VDC)/Servo Motor (24 VDC)
LEYG LEY

Model
Selection

Electric Actuator Rod Type

Secondary Battery Compatible

25A-LEY Series LEY25, 32 Size 25, 32

The LECSB-S, LECS-C-S, and LECS-S electric actuator drivers are to be discontinued. The LECSB-T, LECS-C-T, and LECS-S-T drivers are available as substitutes. In the product number, select T6 instead of S6, or T7 instead of S7 for the **Motor type**, and select B2 instead of B1, C2 instead of C1, or S2 instead of S1 for the **Driver type**.



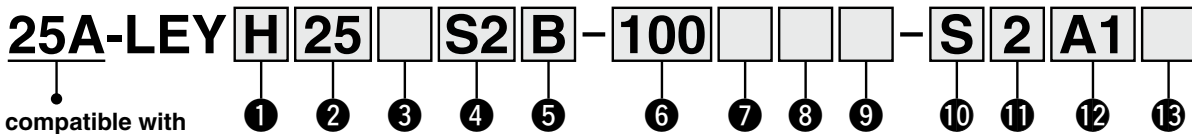
* For details, refer to page 307 and onward.



Refer to page 41 for model selection.

LECY □ Series ▶ p. 201

How to Order



Series compatible with secondary batteries

1 Accuracy

Nil	Basic type
H	High-precision type

2 Size

25
32

3 Motor mounting position

Nil	Top side parallel
R	Right side parallel
L	Left side parallel
D	In-line

5 Lead [mm]

Symbol	LEY25	LEY32*1
A	12	16 (20)
B	6	8 (10)
C	3	4 (5)

*1 The values shown in () are the leads for the size 32 top/right/left side parallel motor types. (Equivalent leads which include the pulley ratio [1.25:1])

4 Motor type*1

Symbol	Type	Output [W]	Actuator size	Compatible drivers*3
S2*1	AC servo motor (Incremental encoder)	100	25	LECSA□-S1
S3		200	32	LECSA□-S3
S6*1	AC servo motor (Absolute encoder)	100	25	LECSB□-S5 LECS□-S5 LECSS□-S5
S7		200	32	LECSB□-S7 LECS□-S7 LECSS□-S7
T6*2	AC servo motor (Absolute encoder)	100	25	LECSB2-T5 LECS□2-T5 LECSN2-T5-□ LECSS2-T5
T7		200	32	LECSB2-T7 LECS□2-T7 LECSN2-T7-□ LECSS2-T7

*1 For motor type S2 and S6, the compatible driver part number suffixes are S1 and S5 respectively.

*2 For motor type T6, the compatible driver part number is LECS□2-T5.

*3 For details on the driver, refer to page 269.

6 Stroke [mm]

30	30
to	to
500	500

* For details, refer to the applicable stroke table below.

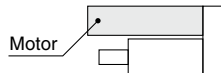
8 Rod end thread

Nil	Rod end female thread
M	Rod end male thread (1 rod end nut is included.)

7 Motor option

Nil	Without option
B	With lock*1

*1 When "With lock" is selected for the top/right/left side parallel motor types, the motor body will stick out from the end of the body for size 25 with strokes of 30 mm or less. Check for interference with workpieces before selecting a model.



9 Mounting*1

Symbol	Type	Motor mounting position	
		Parallel	In-line
Nil	Ends tapped/ Body bottom tapped*2	●	●
L	Foot bracket	●	—
F	Rod flange*2	●*4	●
G	Head flange*2	●*5	—
D	Double clevis*3	●	—

*1 The mounting bracket is shipped together with the product but does not come assembled.

*2 For the horizontal cantilever mounting of the rod flange, head flange, or ends tapped types, use the actuator within the following stroke range.

- 25A-LEY25: 200 mm or less
- 25A-LEY32: 100 mm or less

*3 For the mounting of the double clevis type, use the actuator within the following stroke range.

- 25A-LEY25: 200 mm or less
- 25A-LEY32: 200 mm or less

*4 The rod flange type is not available for the 25A-LEY25 with a 30 mm stroke and motor option "With lock."

*5 The head flange type is not available for the 25A-LEY32.

Mounting Bracket Part Nos. for the 25A- Series

Applicable size	Foot bracket*1	Flange	Double clevis
25	25-LEY-L025	25-LEY-F025	25-LEY-D025
32	25-LEY-L032	25-LEY-F032	25-LEY-D032
Surface treatment	RAYDENT®	RAYDENT®	Coating (Size 16: Electroless nickel plating)

*1 When ordering foot brackets, order 2 pieces per actuator.

* Parts belonging to each bracket are as follows.

Foot bracket, Flange: Body mounting bolt, Double clevis: Clevis pin, Type C retaining ring for axis, Body mounting bolt

Applicable Stroke Table

Model	Stroke [mm]	●: Standard										Manufacturable stroke range [mm]	
		30	50	100	150	200	250	300	350	400	450		500
25A-LEY25		●	●	●	●	●	●	●	●	●	—	—	15 to 400
25A-LEY32		●	●	●	●	●	●	●	●	●	●	●	20 to 500

* Please contact SMC for non-standard strokes as they are produced as special orders.

Solid state auto switches should be ordered separately. For details on auto switches, refer to page 203.

Applicable auto switches

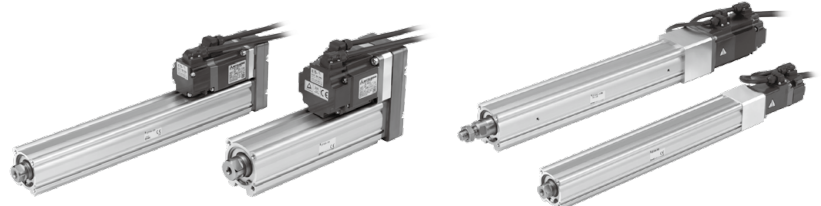
D-M9N(V)-900, D-M9P(V)-900, D-M9B(V)-900
D-M9NW(V)-900, D-M9PW(V)-900, D-M9BW(V)-900

Electric Actuator Rod Type **25A-LEY Series**

AC Servo Motor

Size **25, 32**

Secondary Battery Compatible



Motor mounting position:
Parallel

Motor mounting position:
In-line

10 Cable type*1 *2

Nil	Without cable
S	Standard cable
R	Robotic cable (Flexible cable)

*1 A motor cable and encoder cable are included with the product. (A lock cable is also included if motor option "B: With lock" is selected.)

*2 Standard cable entry direction is
· Parallel: (A) Axis side
· In-line: (B) Counter axis side

11 Cable length*1 [m]

Nil	Without cable
2	2
5	5
A	10

*1 The length of the encoder, motor, and lock cables are the same.

12 Driver type*1

	Compatible drivers	Power supply voltage [V]
Nil	Without driver	—
A1	LECSA1-S□	100 to 120
A2	LECSA2-S□	200 to 230
B1	LECSB1-S□	100 to 120
	LECSB2-S□	200 to 230
B2	LECSB2-T□	200 to 240
	LECSB2-S□	200 to 230
C1	LECSC1-S□	100 to 120
C2	LECSC2-S□	200 to 230
	LECSC2-T□	
S1	LECSS1-S□	100 to 120
S2	LECSS2-S□	200 to 230
	LECSS2-T□	200 to 240
N2	LECSN2-T□	200 to 240
E2	LECSN2-T□-E	200 to 240
92	LECSN2-T□-9	200 to 240
P2	LECSN2-T□-P	200 to 240

*1 When a driver type is selected, a cable is included. Select the cable type and cable length.

Example)

S2S2: Standard cable (2 m) + Driver (LECSS2)

S2: Standard cable (2 m)

Nil: Without cable and driver

* The 25A- series specifications and dimensions are the same as those of the standard model.

13 I/O cable length [m]*1

Nil	Without cable
H	Without cable (Connector only)
1	1.5

*1 When "Nil: Without driver" is selected for the driver type, only "Nil: Without cable" can be selected. Refer to page 291 if an I/O cable is required.

Compatible Drivers*1

Driver type	Pulse input type/ Positioning type	Pulse input type	CC-Link direct input type	SSCNET III type	Pulse input type	CC-Link direct input type	SSCNET III/H type	Network card type
Series	LECSA	LECSB	LECSC	LECSS	LECSB-T	LECSC-T	LECSS-T	LECSN-T
Number of point tables*2	Up to 7	—	Up to 255 (2 stations occupied)	—	Up to 255	Up to 255 (2 stations occupied)	—	Up to 255
Pulse input	○	○	—	—	○	—	—	—
Applicable network	—	—	CC-Link	SSCNET III	—	CC-Link	SSCNET III / H	PROFINET EtherCAT® EtherNet/IP™
Control encoder	Incremental 17-bit encoder	Absolute 18-bit encoder	Absolute 18-bit encoder	Absolute 18-bit encoder	Absolute 22-bit encoder	Absolute 18-bit encoder	Absolute 22-bit encoder	Absolute 22-bit encoder
Communication function	USB communication	USB communication, RS422 communication	USB communication	USB communication	USB communication, RS422 communication	USB communication	USB communication	USB communication
Power supply voltage [V]	100 to 120 VAC (50/60 Hz), 200 to 230 VAC (50/60 Hz)				200 to 240 VAC (50/60 Hz)	200 to 230 VAC (50/60 Hz)	200 to 240 VAC (50/60 Hz)	200 to 240 VAC (50/60 Hz)
Reference page	269							

*1 Copper and zinc materials are used for the motors, cables, controllers/drivers.

*2 The LECSN-T only supports PROFINET and EtherCAT®.

Electric Actuator Rod Type

Secondary Battery Compatible



* For details, refer to page 307 and onward.

25A-LEY Series LEY25, 32

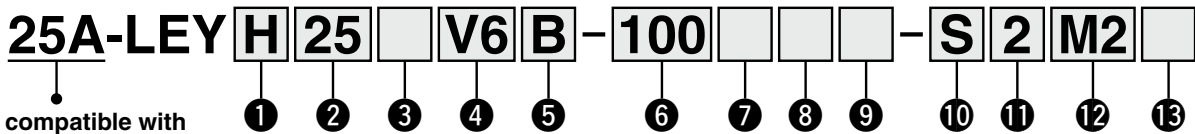
Size **25, 32**



LECS □ Series ▶ p. 199

Refer to page 49 for model selection.

How to Order



Series compatible with secondary batteries

1 Accuracy

Nil	Basic type
H	High-precision type

2 Size

25
32

3 Motor mounting position

Nil	Top side parallel
R	Right side parallel
L	Left side parallel
D	In-line

4 Motor type

Symbol	Type	Output [W]	Size	Compatible drivers
V6*1	AC servo motor (Absolute encoder)	100	25	LECYM2-V5 LECYU2-V5
V7		200	32	LECYM2-V7 LECYU2-V7

*1 For motor type V6, the compatible driver part number suffix is V5.

5 Lead [mm]

Symbol	25A-LEY25	25A-LEY32*1
A	12	16 (20)
B	6	8 (10)
C	3	4 (5)

*1 The values shown in () are the leads for the size 32 top/right/left side parallel motor types. (Equivalent leads which include the pulley ratio [1.25:1])

6 Stroke [mm]

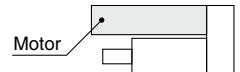
30	30
to	to
500	500

* For details, refer to the applicable stroke table below.

7 Motor option

Nil	Without option
B	With lock*1

*1 When "With lock" is selected for the top/right/left side parallel motor types, the motor body will stick out from the end of the body for size 25 with strokes of 30 mm or less. Check for interference with workpieces before selecting a model.



8 Rod end thread

Nil	Rod end female thread
M	Rod end male thread (1 rod end nut is included.)

9 Mounting*1

Symbol	Type	Motor mounting position	
		Parallel	In-line
Nil	Ends tapped/ Body bottom tapped *2	●	●
L	Foot bracket	●	—
F	Rod flange*2	●*4	●
G	Head flange*2	●*5	—
D	Double clevis*3	●	—

*1 The mounting bracket is shipped together with the product but does not come assembled.
 *2 For the horizontal cantilever mounting of the rod flange, head flange, or ends tapped types, use the actuator within the following stroke range.
 · LEY25: 200 mm or less · LEY32: 100 mm or less
 *3 For the mounting of the double clevis type, use the actuator within the following stroke range.
 · LEY25: 200 mm or less · LEY32: 200 mm or less
 *4 The rod flange type is not available for the LEY25 with a 30 mm stroke and motor option "With lock."
 *5 The head flange type is not available for the LEY32.

Mounting Bracket Part Nos. for the 25A- Series

Applicable size	Foot bracket*1	Flange	Double clevis
25	25-LEY-L025	25-LEY-F025	25-LEY-D025
32	25-LEY-L032	25-LEY-F032	25-LEY-D032
Surface treatment	RAYDENT®	RAYDENT®	Coating (Size 16: Electroless nickel plating)

*1 When ordering foot brackets, order 2 pieces per actuator.

* Parts belonging to each bracket are as follows.

Foot bracket, Flange: Body mounting bolt, Double clevis: Clevis pin, Type C retaining ring for axis, Body mounting bolt

Solid state auto switches should be ordered separately. For details on auto switches, refer to page 203.

Applicable auto switches

D-M9N(V)-900, D-M9P(V)-900, D-M9B(V)-900
 D-M9NW(V)-900, D-M9PW(V)-900, D-M9BW(V)-900

Applicable Stroke Table

Model	Stroke [mm]	●: Standard											Manufacturable stroke range [mm]
		30	50	100	150	200	250	300	350	400	450	500	
25A-LEY25		●	●	●	●	●	●	●	●	●	—	—	15 to 400
25A-LEY32		●	●	●	●	●	●	●	●	●	●	●	20 to 500

* Please contact SMC for non-standard strokes as they are produced as special orders.

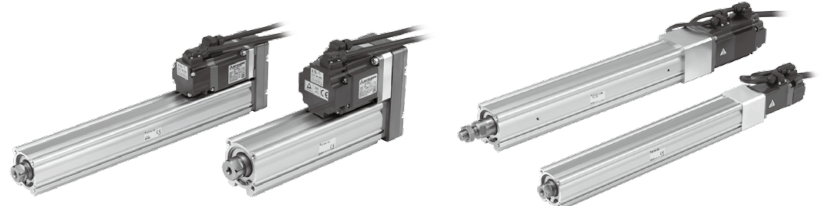
Electric Actuator
Rod Type

25A-LEY Series

AC Servo Motor

Size 25, 32

Secondary Battery Compatible



Motor mounting position:
Parallel

Motor mounting position:
In-line

10 Cable type*1 *2

Nil	Without cable
S	Standard cable
R	Robotic cable (Flexible cable)

- *1 A motor cable and encoder cable are included with the product. (A lock cable is also included if motor option "B: With lock" is selected.)
- *2 Standard cable entry direction is
 - Parallel: (A) Axis side
 - In-line: (B) Counter axis side

11 Cable length [m]*1

Nil	Without cable
3	3
5	5
A	10
C	20

- *1 The length of the motor and encoder cables are the same. (For with lock)

12 Driver type*1

	Compatible drivers	Power supply voltage [V]
Nil	Without driver	—
M2	LECYM2-V□	200 to 230
U2	LECYU2-V□	200 to 230

- *1 When a driver type is selected, a cable is included. Select the cable type and cable length.



13 I/O cable length [m]*1

Nil	Without cable
H	Without cable (Connector only)
1	1.5

- *1 When "Nil: Without driver" is selected for the driver type, only "Nil: Without cable" can be selected. Refer to page 302 if an I/O cable is required.

* The 25A- series specifications and dimensions are the same as those of the standard model.

Compatible Drivers

Driver type	MECHATROLINK-II type	MECHATROLINK-III type
		
Series	LECYM	LECYU
Applicable network	MECHATROLINK-II	MECHATROLINK-III
Control encoder	Absolute 20-bit encoder	
Communication device	USB communication, RS-422 communication	
Power supply voltage [V]	200 to 230 VAC (50/60 Hz)	
Reference page	295	

* Copper and zinc materials are used for the motors, cables, controllers/drivers.

Model Selection

Step Motor (Servo/24 VDC)/Servo Motor (24 VDC)

LEY

LEYG

LEY

LEYG

AC Servo Motor

Environment

LEY-X7

LEY-X5

25A-LEY

JXC51/61

LECA6

LECA6

LECG

LECP1

LECPA

JXC□

LECS□

LECY□

Specific Product Precautions

25A- Series

Applicable Auto Switches

Applicable Electric Actuator Series

Auto switches											
Type	Special function	Electrical entry	Indicator light	Wiring (Output)	Electrical entry direction	Auto switch model	Lead wire length [m]				Pre-wired connector
							0.5	1	3	5	SDPC
							Nil	M	L	Z	
Solid state auto switch	—	Grommet	Yes	3-wire (NPN)	In-line	D-M9N-900	●	●	●	○	—
				3-wire (PNP)		D-M9P-900	●	●	●	○	—
				2-wire		D-M9B-900	●	●	●	○	—
				3-wire (NPN)	Perpendicular	D-M9NV-900	●	●	●	○	—
				3-wire (PNP)		D-M9PV-900	●	●	●	○	—
				2-wire		D-M9BV-900	●	●	●	○	—
	Diagnostic indication (2-color indicator)	Grommet	Yes	3-wire (NPN)	In-line	D-M9NW-900	●	●	●	○	—
				3-wire (PNP)		D-M9PW-900	●	●	●	○	—
				2-wire		D-M9BW-900	●	●	●	○	○
				3-wire (NPN)	Perpendicular	D-M9NWV-900	●	●	●	○	—
				3-wire (PNP)		D-M9PWV-900	●	●	●	○	—
				2-wire		D-M9BWV-900	●	●	●	○	○

* Solid state auto switches marked with a "○" are produced upon receipt of order.

* Auto switches cannot be ordered with the actuator part number. They should be ordered separately. Please refer below for ordering.
One each of the right-hand-type and the left-hand-type are shipped together with the actuator.

Ordering the Auto Switches

- Individual auto switch: D-M9BWL-900
(Place the order with the part number for auto switch shown in the table above.)
- * Lead wire length symbols: 0.5 m..... Nil (Example) M9NW
1 m..... M (Example) M9NWM
3 m..... L (Example) M9NWL
5 m..... Z (Example) M9NWZ



LEY/LEYG Series Specific Product Precautions 1

Be sure to read this before handling the products. Refer to the back cover for safety instructions. For electric actuator and auto switch precautions, refer to the “Handling Precautions for SMC Products” and the “Operation Manual” on the SMC website: <https://www.smcworld.com>

Design / Selection

Warning

- Do not apply a load in excess of the specification limits.**
Select a suitable actuator by work load and allowable lateral load on the rod end. If a load in excess of the specification limits is applied to the piston rod, the generation of play in the piston rod sliding parts, reduced accuracy, etc., may occur and adversely affect the operation and service life of the product.
- Do not use the product in applications where excessive external force or impact force is applied to it.**
Failure to do so may result in a malfunction.
- When used as a stopper, select the LEYG series “Sliding bearing” for strokes of 30 mm or less.**
- When used as a stopper, fix the main body with a guide attachment (“Top mounting” or “Bottom mounting”).**
If the end of the actuator is used to fix the main body (end mounting), the excessive load acts on the actuator, which may adversely affect the operation and service life of the product.

Handling

Caution

- INP output signal**
 - Positioning operation**
When the product comes within the set range of the step data [In position], the INP output signal will turn ON.
Initial value: Set to [0.50] or higher.
 - Pushing operation**
When the effective force exceeds the step data [Trigger LV], the INP output signal will turn ON.
Use the product within the specified range of the [Pushing force] and [Trigger LV].
 - To ensure that the actuator pushes the workpieces with the set [Pushing force], it is recommended that the [Trigger LV] be set to the same value as the [Pushing force].
 - When the [Pushing force] and the [Trigger LV] are set below the specified range, the INP output signal will turn ON from the pushing start position.

<Limit Values for Pushing Force and Trigger Level in Relation to Pushing Speed>
Without Load

Model	Lead	Pushing speed [mm/s]	Pushing force (Setting input value)	Model	Lead	Pushing speed [mm/s]	Pushing force (Setting input value)
LEY□16□	A/B/C	21 to 50	60 to 85%	LEY□16□A	A/B/C	21 to 50	80 to 95%
LEY□25□	A/B/C	21 to 35	50 to 65%	LEY□25□A	A/B/C	21 to 35	80 to 95%
LEY□32□	A	24 to 30	60 to 85%				
	B/C	21 to 30					
LEY□40□	A	24 to 30	50 to 65%				
	B/C	21 to 30					

There is a limit to the pushing force in relation to the pushing speed. If the product is operated outside of the range (low pushing force), the completion signal [INP] may be output before the pushing operation has been completed (during the moving operation). If operating with the pushing speed below the min. speed, please check for operating problems before using the product.

Handling

Caution

<Set Values for Vertical Upward Transfer Pushing Operations>
For vertical loads (upward), set the pushing force to the max. value shown below and operate at the work load or less.

Model	LEY16□			LEY25□			LEY32□			LEY40□		
Lead	A	B	C	A	B	C	A	B	C	A	B	C
Work load [kg]	1	1.5	3	2.5	5	10	4.5	9	18	7	14	28
Pushing force	85%			65%			85%			65%		

Model	LEY16□A			LEY25□A		
Lead	A	B	C	A	B	C
Work load [kg]	1	1.5	3	1.2	2.5	5
Pushing force	95%			95%		

Model	LEYG16□			LEYG25□			LEYG32□			LEYG40□		
Lead	A	B	C	A	B	C	A	B	C	A	B	C
Work load [kg]	0.5	1	2.5	1.5	4	9	2.5	7	16	5	12	26
Pushing force	85%			65%			85%			65%		

Model	LEYG16□A			LEYG25□A		
Lead	A	B	C	A	B	C
Work load [kg]	0.5	1	2.5	0.5	1.5	4
Pushing force	95%			95%		

- To conduct a pushing operation, be sure to set the product to [Pushing operation].**
Also, refrain from bumping the workpiece during a positioning operation or when in the range of the positioning operation. Failure to do so may result in a malfunction.
- Use the product within the specified pushing speed range for the pushing operation.**
Failure to do so may result in damage or malfunction.
- The moving force should be the initial value (LEY16□/25□/32□/40□: 100%, LEY16A□: 150%, and LEY25A□: 200%).**
If the moving force is set below the initial value, it may cause the generation of an alarm.
- The actual speed of this actuator is affected by the load.**
Check the model selection section of the catalog.
- Do not apply a load, impact, or resistance in addition to the transferred load during return to origin.**
Additional force will cause the displacement of the origin position since it is based on the detected motor torque.
- For pushing operations, set the product to a position at least 2 mm away from a workpiece. (This position is referred to as the pushing start position.)**

The following alarms may be generated and operation may become unstable if setting is not done correctly.

- “Posn failed”**
The product cannot reach the pushing start position due to variations in the target positions.
- “Pushing ALM”**
The product is pushed back from the pushing start position after starting to push.

Model Selection

LEY

LEYG

LEY

LEYG

LEY-X7

Environment
LEY-X5

25A-LEY

JXC51/61

LECA6

LECA6

LECA6

LECA6

LECA6

LECA6

LECA6

LECA6

LECA6

LECA6

LECA6

LECA6

LECA6

LECA6

LECA6

LECA6

LECA6

LECA6

LECA6

LECA6



LEY/LEYG Series Specific Product Precautions 2

Be sure to read this before handling the products. Refer to the back cover for safety instructions. For electric actuator and auto switch precautions, refer to the “Handling Precautions for SMC Products” and the “Operation Manual” on the SMC website: <https://www.smcworld.com>

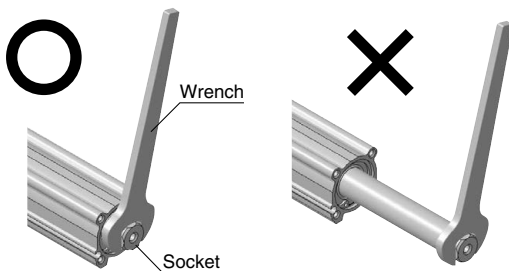
Handling

⚠ Caution

8. Do not scratch or dent the sliding parts of the piston rod by bumping them or placing objects on them.
The piston rod and guide rod are manufactured to precise tolerances, so even a slight deformation may result in a malfunction.
9. When an external guide is used, connect it in such a way that no impact or load is applied to it.
Use a freely moving connector (such as a floating joint).
10. Do not operate by fixing the piston rod and moving the actuator body.
Excessive load will be applied to the piston rod, resulting in damage to the actuator and a reduced service life of the product.
11. When an actuator is operated with one end fixed and the other free (ends tapped or flange), a bending moment may act on the actuator due to vibration generated at the stroke end, which can damage the actuator. In such cases, install a mounting bracket to suppress the vibration of the actuator body or reduce the speed so that the actuator does not vibrate at the stroke end.
Also, use a mounting bracket when moving the actuator body or when a long stroke actuator is mounted horizontally and fixed at one end.
12. Avoid using the electric actuator in such a way that rotational torque would be applied to the piston rod.
Failure to do so may result in the deformation of the non-rotating guide, abnormal auto switch responses, play in the internal guide, or an increase in the sliding resistance.
Refer to the table below for the approximate values of the allowable range of rotational torque.

Allowable rotational torque [N·m] or less	LEY16□□	LEY25□□	LEY32/40□□	LEY63	LEY100
	0.8	1.1	1.4	2.8	4.6

When screwing a bracket or nut into the piston rod end, hold the flats of the end of the “socket” with a wrench (the piston rod should be fully retracted). Do not apply tightening torque to the non-rotating mechanism.



13. When rotational torque is applied to the end of the plate, use it within the allowable range. [LEYG series]
Failure to do so may result in the deformation of the guide rod and bushing, play in the guide, or an increase in the sliding resistance.

14. For pushing operations, use the product within the duty ratio range below.

The duty ratio is a ratio of the operation time in one cycle.

• Step motor (Servo/24 VDC)

LEY16□

Pushing force [%]	Ambient temperature: 25°C or less		Ambient temperature: 40°C	
	Duty ratio [%]	Continuous pushing time [min]	Duty ratio [%]	Continuous pushing time [min]
40 or less	100	—	100	—
50			70	12 or less
70			20	1.3 or less
85			15	0.8 or less

LEY25□/40□

Pushing force [%]	Ambient temperature: 25°C or less		Ambient temperature: 40°C	
	Duty ratio [%]	Continuous pushing time [min]	Duty ratio [%]	Continuous pushing time [min]
65 or less	100	—	100	—

LEY32□

Pushing force [%]	Ambient temperature: 25°C or less		Ambient temperature: 40°C	
	Duty ratio [%]	Continuous pushing time [min]	Duty ratio [%]	Continuous pushing time [min]
65 or less	100	—	100	—
85			50	15 or less

• Servo motor (24 VDC)

LEY16A□

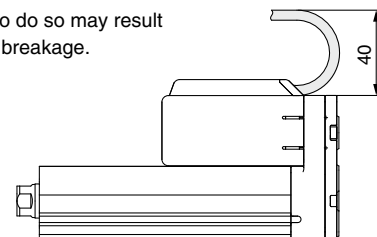
Pushing force [%]	Ambient temperature: 25°C or less		Ambient temperature: 40°C	
	Duty ratio [%]	Continuous pushing time [min]	Duty ratio [%]	Continuous pushing time [min]
95 or less	100	—	100	—

LEY25A□

Pushing force [%]	Ambient temperature: 25°C or less		Ambient temperature: 40°C	
	Duty ratio [%]	Continuous pushing time [min]	Duty ratio [%]	Continuous pushing time [min]
95 or less	100	—	100	—

15. When mounting the product, secure a space of 40 mm or more to allow for bends in the cable.

* Failure to do so may result in cable breakage.



16. When mounting a bolt, workpiece, or attachment, hold the flats of the piston rod end with a wrench so that the piston rod does not rotate. The bolt should be tightened within the specified torque range.

Failure to do so may result in abnormal auto switch responses, play in the internal guide, or an increase in the sliding resistance.



LEY/LEYG Series Specific Product Precautions 3

Be sure to read this before handling the products. Refer to the back cover for safety instructions. For electric actuator and auto switch precautions, refer to the “Handling Precautions for SMC Products” and the “Operation Manual” on the SMC website: <https://www.smcworld.com>

Handling

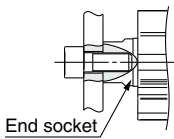
⚠ Caution

17. When mounting the product and/or a workpiece, tighten the mounting screws within the specified torque range.

Tightening the screws with a higher torque than recommended may result in a malfunction, while tightening with a lower torque can result in the displacement of the mounting position or, in extreme conditions, the actuator could become detached from its mounting position.

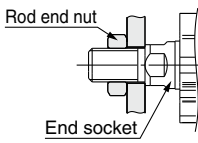
<LEY series>

Workpiece fixed/Rod end female thread

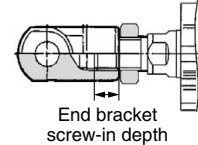


Model	Screw size	Max. tightening torque [N·m]	Max. screw-in depth [mm]	End socket width across flats [mm]
LEY16	M5 x 0.8	3.0	10	14
LEY25	M8 x 1.25	12.5	13	17
LEY32/40	M8 x 1.25	12.5	13	22
LEY63	M16 x 2	106	21	36
LEY100	M20 x 2.5	204	27	27

Workpiece fixed/Rod end male thread (When “Rod end male thread” is selected)



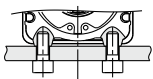
Model	Thread size	Max. tightening torque [N·m]	Effective thread length [mm]	End socket width across flats [mm]
LEY16	M8 x 1.25	12.5	12	14
LEY25	M14 x 1.5	65.0	20.5	17
LEY32/40	M14 x 1.5	65.0	20.5	22
LEY63	M18 x 1.5	97.0	26	36



Model	Rod end nut		End bracket screw-in depth [mm]
	Width across flats [mm]	Length [mm]	
LEY16	13	5	5 or more
LEY25	22	8	8 or more
LEY32/40	22	8	8 or more
LEY63	27	11	18

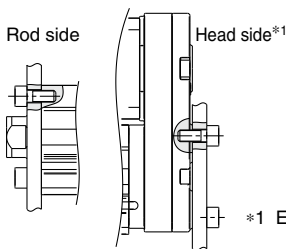
* The rod end nut is an accessory.

Body fixed/Body bottom tapped type (When “Body bottom tapped” is selected)



Model	Screw size	Max. tightening torque [N·m]	Max. screw-in depth [mm]
LEY16	M4 x 0.7	1.5	5.5
LEY25	M5 x 0.8	3.0	6.5
LEY32/40	M6 x 1.0	5.2	8.8
LEY63	M8 x 1.25	12.5	10
LEY100	M10 x 1.5	24.5	17

Body fixed/Rod side/Head side tapped type

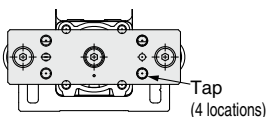


Model	Screw size	Max. tightening torque [N·m]	Max. screw-in depth [mm]
LEY16	M4 x 0.7	1.5	7
LEY25	M5 x 0.8	3.0	8
LEY32/40	M6 x 1.0	5.2	10
LEY63	M8 x 1.25	12.5	16

*1 Excludes the LEY□D

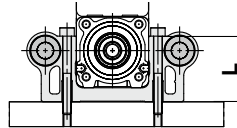
<LEYG series>

Workpiece fixed/Plate tapped type



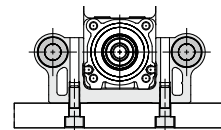
Model	Screw size	Max. tightening torque [N·m]	Max. screw-in depth [mm]
LEYG16 ^M	M5 x 0.8	3.0	8
LEYG25 ^M	M6 x 1.0	5.2	11
LEYG32 ^M / 40 ^L	M6 x 1.0	5.2	12

Body fixed/Top mounting



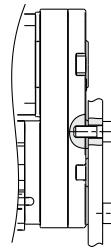
Model	Screw size	Max. tightening torque [N·m]	Length: L [mm]
LEYG16 ^M	M4 x 0.7	1.5	32
LEYG25 ^M	M5 x 0.8	3.0	40.3
LEYG32 ^M / 40 ^L	M5 x 0.8	3.0	50.3

Body fixed/Bottom mounting



Model	Screw size	Max. tightening torque [N·m]	Max. screw-in depth [mm]
LEYG16 ^M	M5 x 0.8	3.0	10
LEYG25 ^M	M6 x 1.0	5.2	12
LEYG32 ^M / 40 ^L	M6 x 1.0	5.2	12

Body fixed/Head side tapped type



Model	Screw size	Max. tightening torque [N·m]	Max. screw-in depth [mm]
LEYG16 ^M	M4 x 0.7	1.5	7
LEYG25 ^M	M5 x 0.8	3.0	8
LEYG32 ^M / 40 ^L	M6 x 1.0	5.2	10

18. Keep the flatness of the mounting surface within the following ranges when mounting the actuator body and workpiece.

Mounting the product on an uneven workpiece or base may result in an increase in the sliding resistance.

Model	Mounting position	Flatness
LEY□	Body/Body bottom 	0.1 mm or less
LEYG□	Top mounting/Bottom mounting 	0.02 mm or less
	Workpiece/Plate mounting 	0.02 mm or less

19. When using auto switches with the guide rod type LEYG series, the following limits apply. Please consider the following before selecting the product.

- Auto switches must be inserted from the front side with the rod (plate) sticking out.
- Auto switches with perpendicular electrical entries cannot be used.
- Auto switches cannot be fixed with the parts hidden behind the guide attachment (the side of the rod that sticks out).
- Please contact SMC when using auto switches on the side of the rod that sticks out.



LEY/LEYG Series Specific Product Precautions 4

Be sure to read this before handling the products. Refer to the back cover for safety instructions. For electric actuator and auto switch precautions, refer to the “Handling Precautions for SMC Products” and the “Operation Manual” on the SMC website: <https://www.smcworld.com>

Handling

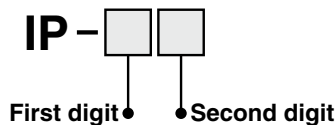
Caution

- When using the product with the IP65 or equivalent specifications, be sure to mount the tubing to the vent hole, and then place the end of the tubing in an area where it is not exposed to dust or water. When the actuator is used without mounting the fitting and tubing to the vent hole, water or dust may enter the inside of the actuator, resulting in a malfunction.
- When fluctuations in the load are caused during operation, malfunction, noise, or alarm generation may occur. (In the case of the AC servo motor)

The gain tuning may not be suitable for fluctuating loads.

Adjust the gain properly by following the instructions in the driver manual.

Enclosure



First Digit: Degree of protection against solid foreign objects

0	Not protected
1	Protected against solid foreign objects of 50 mmø and larger
2	Protected against solid foreign objects of 12 mmø and larger
3	Protected against solid foreign objects of 2.5 mmø and larger
4	Protected against solid foreign objects of 1.0 mmø and larger
5	Dust protected
6	Dust-tight

Second Digit: Degree of protection against water

0	Not protected	—
1	Protected against vertically falling water droplets	Dripproof type 1
2	Protected against vertically falling water droplets when enclosure is tilted up to 15°	Dripproof type 2
3	Protected against rainfall when enclosure is tilted up to 60°	Rainproof type
4	Protected against splashing water	Splashproof type
5	Protected against water jets	Water-jet-proof type
6	Protected against powerful water jets	Powerful water-jet-proof type
7	Protected against the effects of temporary immersion in water	Immersible type
8	Protected against the effects of continuous immersion in water	Submersible type

Example) Degrees of protection

Degrees of protection			Details
IP65	Solid foreign objects	Dust-tight	Dust particles are prevented from entering the device.
	Entry of water	Water-jet-proof*1	The direct application of water jets to the device from any direction will not cause any damage.
IP67	Solid foreign objects	Dust-tight	Dust particles are prevented from entering the device.
	Entry of water	Immersible*1	The amount of water that enters the device when the actuator (in the stopped state) is submersed in up to 1 m of water for up to 30 mins will not cause any damage.

*1 Be sure to take appropriate protective measures if the product is to be used in an environment where it will be constantly exposed to water or fluids other than water splash.

In particular, the product cannot be used in environments where oils, such as cutting oil or cutting fluid, are present.

Maintenance

Warning

- Ensure that the power supply is stopped and the workpiece is removed before starting maintenance work or replacing the product.

Maintenance frequency

Perform maintenance according to the table below.

Frequency	Appearance check	Belt check
Inspection before daily operation	○	—
Inspection every 6 months/ 250 km/5 million cycles*1	○	○

*1 Select whichever comes first.

Items for visual appearance check

- Loose set screws, Abnormal amount of dirt, etc.
- Check for visible damage, Check of cable joint
- Vibration, Noise

Items for belt check

Stop operation immediately and replace the belt when any of the following occur. In addition, ensure your operating environment and conditions satisfy the requirements specified for the product.

a. Tooth shape canvas is worn out

Canvas fiber becomes fuzzy, Rubber is coming off and the fiber has become whitish, Lines of fibers have become unclear

b. Peeling off or wearing of the side of the belt

Belt corner has become rounded and frayed threads stick out

c. Belt is partially cut

Belt is partially cut, Foreign matter caught in the teeth of other parts is causing damage

d. A vertical line on belt teeth is visible

Damage which is made when the belt runs on the flange

e. Rubber back of the belt is softened and sticky

f. Cracks on the back of the belt are visible



25A- Series Precautions

Be sure to read this before handling products.

Be sure to read the “Handling Precautions for SMC Products” (M-E03-3) and the “Operation Manual” before use.

Precautions

⚠ Caution

■ Change of material

For the 25A- series, there is a restriction on the use of copper and zinc as main components in the metal materials used. Keep in mind that the aluminum alloy, aluminum die cast, and some of the stainless steel materials contain traces of copper (Cu) and/or zinc (Zn) as an additive element.

However, copper is used in some parts—the coils of solenoid valves, the circuit boards, connector pins, and lead wires of electrical equipment and auto switches, and the motors, cables, and drivers of electric actuators—whose materials cannot be easily changed to alternative materials.

In addition, some magnets (including the surface treatment) contain copper (Cu) and/or zinc (Zn). However, due to their magnetic characteristics, it is impossible to use alternative materials.

■ Chemical environment

Refrain from using the products in such environments as exposed to chemicals. Otherwise, resin parts may deteriorate.

If you want SMC to test the products for the effects of chemicals attached to them, send the products back to SMC after thoroughly cleaning them.

Please contact your local sales representative for further details.

Model Selection

Step Motor (Servo/24 VDC)/Servo Motor (24 VDC)
LEYG LEY

AC Servo Motor
LEYG LEY

Environment
25A-LEY LEY-X5 LEY-X7

Step Motor (Servo/24 VDC)/Servo Motor (24 VDC)
JXC□ JXC51/61
LECPA LEC-P1 LEC-G LEC-A6

AC Servo Motor
LECY□ LECS□

Specific Product Precautions

Controllers/Drivers

JXC□/LEC□ Series



* For details, refer to page 307 and onward.

Model Selection

<Single Axis Controllers>

Step Data Input Type p. 211

Gateway Unit p. 225

Step Motor
(Servo/24 VDC)
JXC51/61 Series



p. 211

Servo Motor
(24 VDC)
LECA6 Series



p. 218

LEC-G Series



Programless Type p. 229

Pulse Input Type p. 235

Step Motor
(Servo/24 VDC)
LECP1 Series



Step Motor
(Servo/24 VDC)
LECPA Series



EtherCAT®/EtherNet/IP™/PROFINET®/DeviceNet™/IO-Link/CC-Link Direct Input Type p. 241

JXC□ Series

EtherCAT®



EtherNet/IP™



PROFINET®



DeviceNet™



IO-Link



CC-Link



<Multi-Axis Controllers>

EtherNet/IP™ Direct Input Type ... p. 247

Parallel I/O/EtherNet/IP™ Direct Input Type p. 249

For 3 axes

JXC92 Series



For 4 axes

JXC73 Series
JXC83 Series



JXC93 Series
EtherNet/IP™



● Actuator Cable

Step Motor (Servo/24 VDC)/Servo Motor (24 VDC)

LEY

LEYG

AC Servo Motor

LEY

LEYG

Environment

LEY-X7

LEY-X5

25A-LEY

Step Motor (Servo/24 VDC)/Servo Motor (24 VDC)

JXC51/61

LECA6

LEC-G

LECP1

LECPA

AC Servo Motor

JXC□

LECS□

LECY□

Specific Product Precautions

Controller (Step Data Input Type)

JXC51/61 Series



* For details, refer to page 307 and onward.



How to Order

JXC **5** 1 **7** **1** - **□**

① ② ③ ④

① Parallel I/O type

5	NPN
6	PNP

② Mounting

7	Screw mounting
8*1	DIN rail

*1 The DIN rail is not included.
It must be ordered separately.

③ I/O cable length [m]

Nil	None
1	1.5
3	3
5	5

④ Actuator part number

Without cable specifications and actuator options
Example: Enter "LEY16B-100" for the
LEY16B-100B-R1□□.

BC Blank controller*1

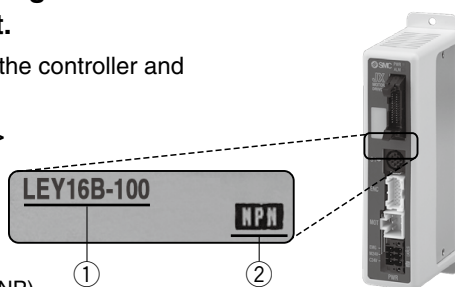
*1 Requires dedicated software (JXC-BCW)

The controller is sold as single unit after the compatible actuator is set.

Confirm that the combination of the controller and actuator is correct.

<Check the following before use.>

- ① Check the actuator label for the model number. This number should match that of the controller.
- ② Check that the Parallel I/O configuration matches (NPN or PNP).



* Refer to the operation manual for using the products. Please download it via our website:
<https://www.smcworld.com>

Precautions for blank controllers (JXC□1□□-BC)

A blank controller is a controller to which the customer can write the data of the actuator it is to be combined and used with. Use the dedicated software (JXC-BCW) for data writing.

- Please download the dedicated software (JXC-BCW) via our website.
- Order the communication cable for controller setting (JXC-W2A-C) separately to use this software.

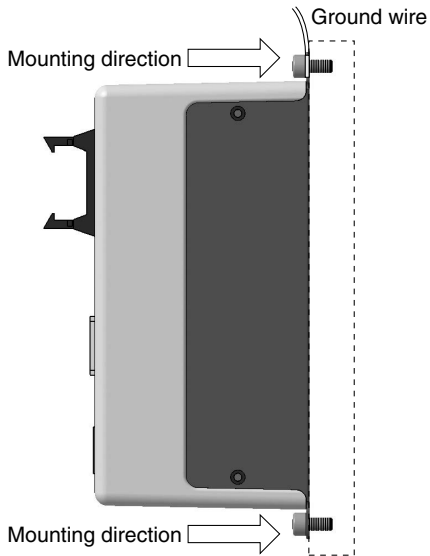
SMC website
<https://www.smcworld.com>

Specifications

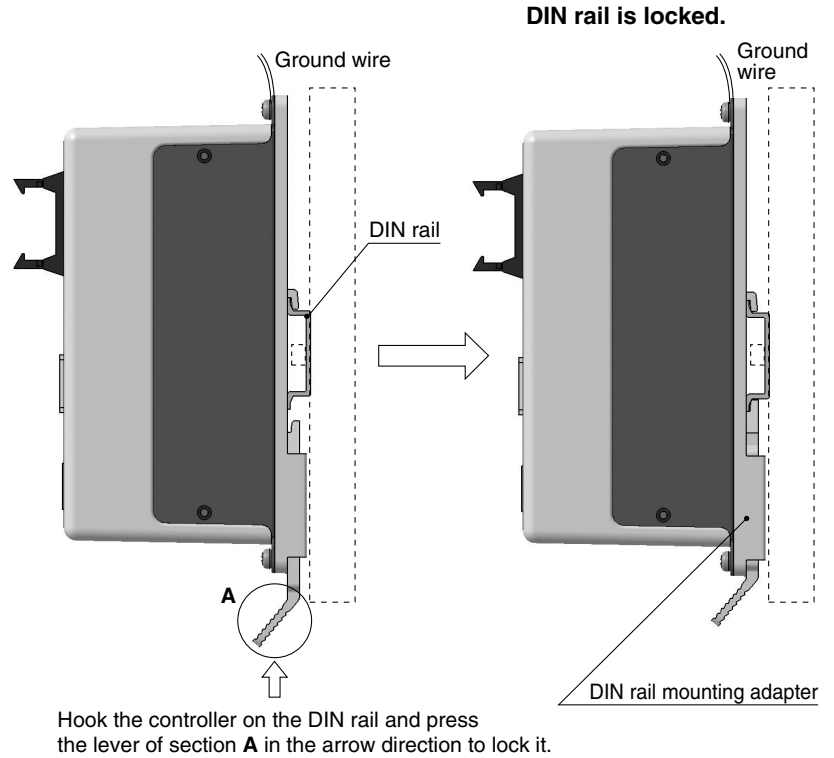
Model	JXC51 JXC61
Compatible motor	Step motor (Servo/24 VDC)
Power supply	Power voltage: 24 VDC ±10%
Current consumption (Controller)	100 mA or less
Compatible encoder	Incremental
Parallel input	11 inputs (Photo-coupler isolation)
Parallel output	13 outputs (Photo-coupler isolation)
Serial communication	RS485 (Only for the LEC-T1 and JXC-W2)
Memory	EEPROM
LED indicator	PWR, ALM
Cable length [m]	Actuator cable: 20 or less
Cooling system	Natural air cooling
Operating temperature range [°C]	0 to 55°C (No freezing)
Operating humidity range [%RH]	90 or less (No condensation)
Insulation resistance [MΩ]	Between all external terminals and the case: 50 (500 VDC)
Weight [g]	150 (Screw mounting), 170 (DIN rail mounting)

How to Mount

a) Screw mounting (JXC□17□-□) (Installation with two M4 screws)



b) DIN rail mounting (JXC□18□-□) (Installation with the DIN rail)

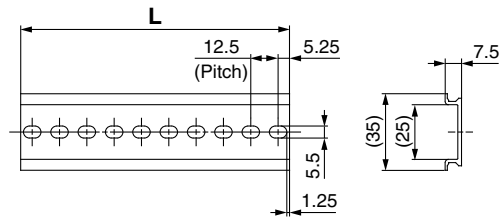


Hook the controller on the DIN rail and press the lever of section **A** in the arrow direction to lock it.

* When size 25 or more of the LE series are used, the space between the controllers should be 10 mm or more.

DIN rail AXT100-DR-□

* For □, enter a number from the No. line in the table below.
Refer to the dimension drawings on page 213 for the mounting dimensions.



L Dimensions [mm]

No.	1	2	3	4	5	6	7	8	9	10	11	12	13	14	15	16	17	18	19	20
L	23	35.5	48	60.5	73	85.5	98	110.5	123	135.5	148	160.5	173	185.5	198	210.5	223	235.5	248	260.5
No.	21	22	23	24	25	26	27	28	29	30	31	32	33	34	35	36	37	38	39	40
L	273	285.5	298	310.5	323	335.5	348	360.5	373	385.5	398	410.5	423	435.5	448	460.5	473	485.5	498	510.5

DIN rail mounting adapter LEC-D0 (with 2 mounting screws)

This should be used when the DIN rail mounting adapter is mounted onto a screw mounting type controller afterward.

Model Selection

Step Motor (Servo/24 VDC)/Servo Motor (24 VDC)

LEY

LEYG

AC Servo Motor

LEY

LEYG

Environment

LEY-X7

LEY-X5

JXC51/61

LECA6

Step Motor (Servo/24 VDC)/Servo Motor (24 VDC)

LEC-G

Step Motor (Servo/24 VDC)/Servo Motor (24 VDC)

LECP1

Step Motor (Servo/24 VDC)/Servo Motor (24 VDC)

LECPA

Step Motor (Servo/24 VDC)/Servo Motor (24 VDC)

JXC□

AC Servo Motor

LECS□

AC Servo Motor

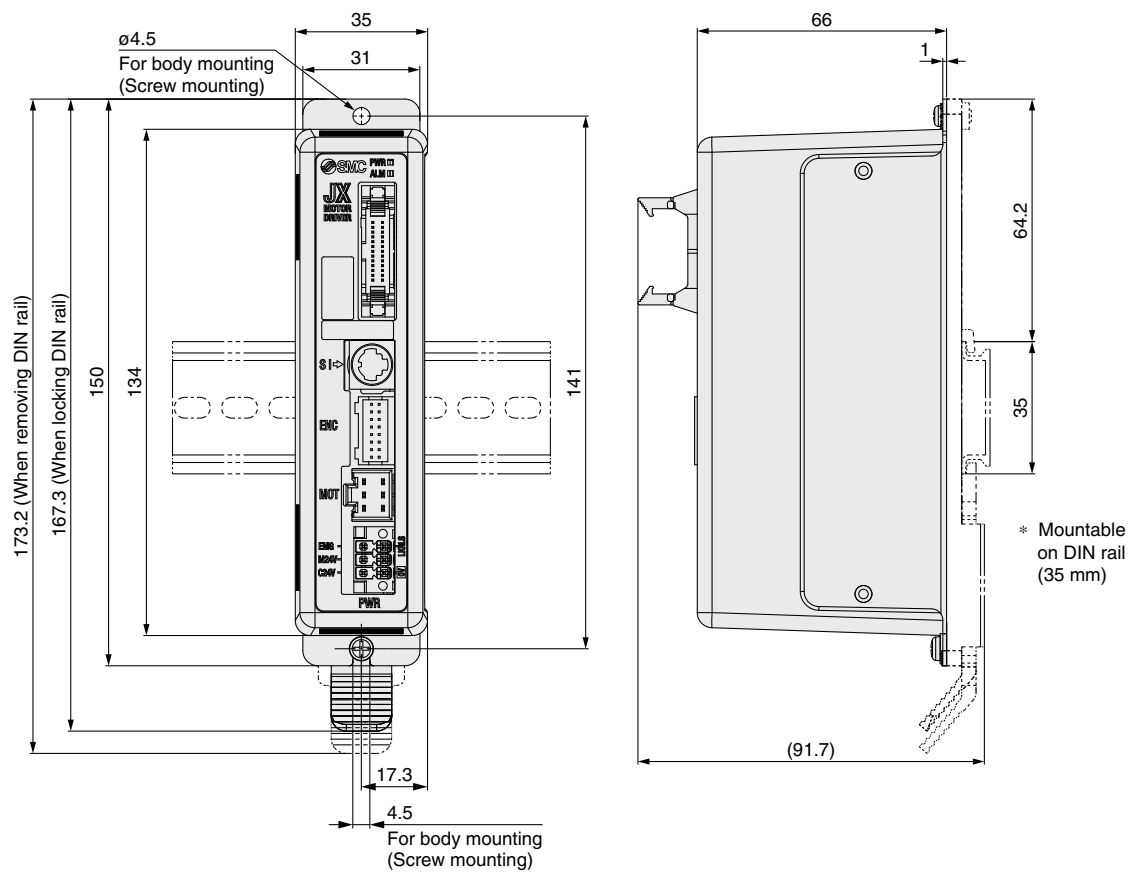
LECY□

AC Servo Motor

Specific Product Precautions

JXC51/61 Series

Dimensions



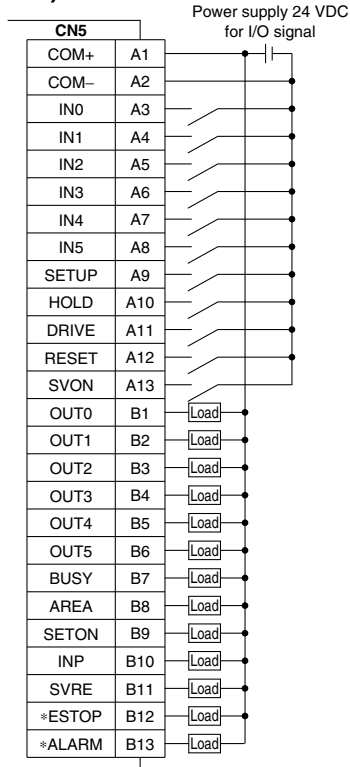
Wiring Example 1

Parallel I/O Connector

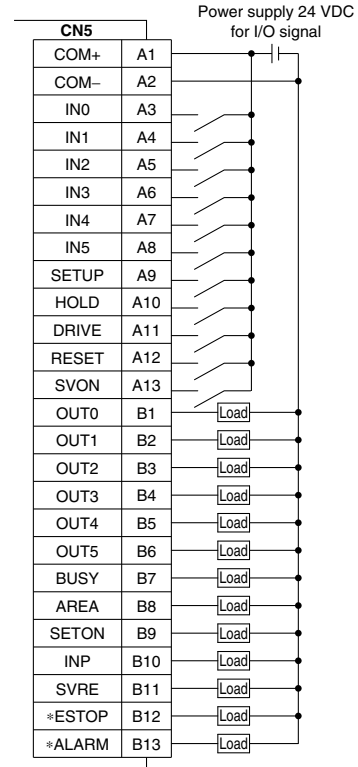
- * When you connect a PLC to the parallel I/O connector, use the I/O cable (LEC-CN5-□).
- * The wiring changes depending on the type of parallel I/O (NPN or PNP).

Wiring diagram

JXC51□□-□ (NPN)



JXC61□□-□ (PNP)



Input Signal

Name	Details
COM+	Connects the power supply 24 V for input/output signal
COM-	Connects the power supply 0 V for input/output signal
IN0 to IN5	Step data specified bit no. (Input is instructed by combining IN0 to 5.)
SETUP	Instruction to return to origin
HOLD	Temporarily stops operation
DRIVE	Instruction to drive
RESET	Resets alarm and interrupts operation
SVON	Servo ON instruction

Output Signal

Name	Details
OUT0 to OUT5	Outputs the step data no. during operation
BUSY	Outputs when the actuator is moving
AREA	Outputs within the step data area output setting range
SETON	Outputs when returning to origin
INP	Outputs when target position or target force is reached (Turns on when the positioning or pushing is completed.)
SVRE	Outputs when servo is on
ESTOP ¹	OFF when EMG stop is instructed
ALARM ¹	OFF when alarm is generated

*¹ Signal of negative-logic circuit (N.C.)

Model Selection

Step Motor (Servo/24 VDC)/Servo Motor (24 VDC)
LEY

LEYG

LEY

LEYG

Environment
25A-LEY LEY-X5 LEY-X7

AC Servo Motor
LEYG

JXC51/61

LECA6

LECA6

LECA6

LECA6

LECA6

LECA6

LECA6

LECA6

LECA6

LECA6

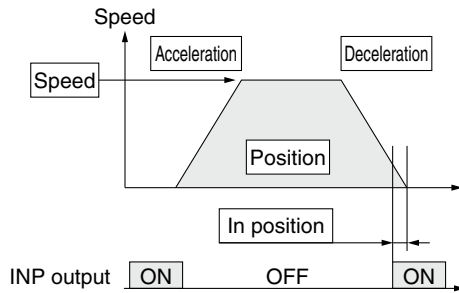
Specific Product Precautions

Step Data Setting

1. Step data setting for positioning

In this setting, the actuator moves toward and stops at the target position.

The following diagram shows the setting items and operation. The setting items and set values for this operation are stated below.



◎ : Need to be set.
○ : Need to be adjusted as required.
— : Setting is not required.

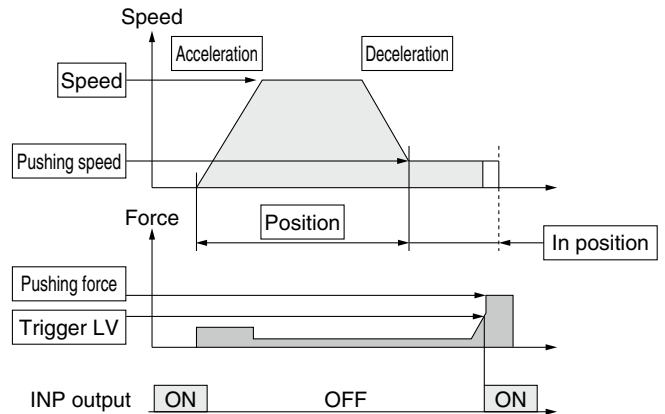
Step Data (Positioning)

Necessity	Item	Details
◎	Movement MOD	When the absolute position is required, set Absolute. When the relative position is required, set Relative.
◎	Speed	Transfer speed to the target position
◎	Position	Target position
○	Acceleration	Parameter which defines how rapidly the actuator reaches the speed set. The higher the set value, the faster it reaches the speed set.
○	Deceleration	Parameter which defines how rapidly the actuator comes to stop. The higher the set value, the quicker it stops.
◎	Pushing force	Set 0. (If values 1 to 100 are set, the operation will be changed to the pushing operation.)
—	Trigger LV	Setting is not required.
—	Pushing speed	Setting is not required.
○	Moving force	Max. torque during the positioning operation (No specific change is required.)
○	Area 1, Area 2	Condition that turns on the AREA output signal.
○	In position	Condition that turns on the INP output signal. When the actuator enters the range of [in position], the INP output signal turns on. (It is unnecessary to change this from the initial value.) When it is necessary to output the arrival signal before the operation is completed, make the value larger.

2. Step data setting for pushing

The actuator moves toward the pushing start position, and when it reaches that position, it starts pushing with the set force or less.

The following diagram shows the setting items and operation. The setting items and set values for this operation are stated below.



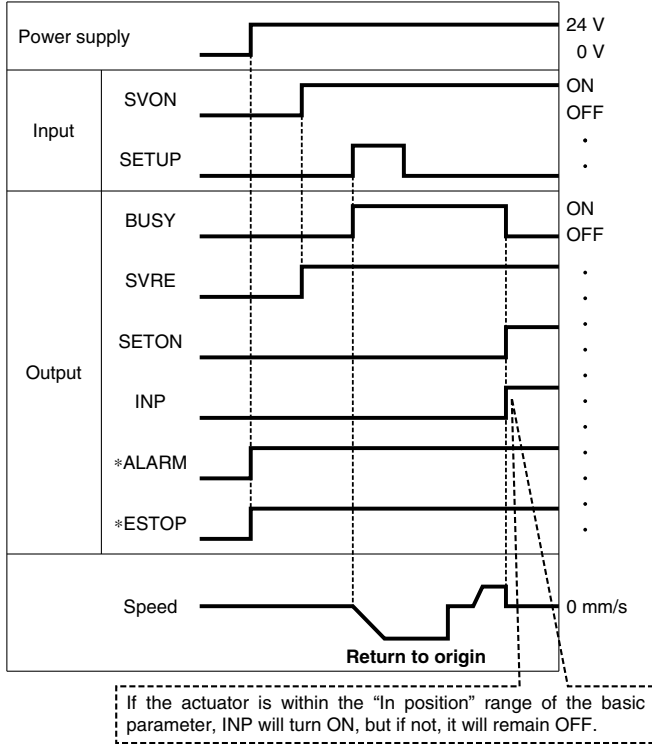
◎ : Need to be set.
○ : Need to be adjusted as required.

Step Data (Pushing)

Necessity	Item	Details
◎	Movement MOD	When the absolute position is required, set Absolute. When the relative position is required, set Relative.
◎	Speed	Transfer speed to the pushing start position
◎	Position	Pushing start position
○	Acceleration	Parameter which defines how rapidly the actuator reaches the speed set. The higher the set value, the faster it reaches the speed set.
○	Deceleration	Parameter which defines how rapidly the actuator comes to stop. The higher the set value, the quicker it stops.
◎	Pushing force	Pushing force ratio is defined. The setting range differs depending on the electric actuator type. Refer to the operation manual for the electric actuator.
◎	Trigger LV	Condition that turns on the INP output signal. The INP output signal turns on when the generated force exceeds the value. Trigger level should be the pushing force or less.
○	Pushing speed	Pushing speed during pushing. When the speed is set fast, the electric actuator and workpieces might be damaged due to the impact when they hit the end, so this set value should be smaller. Refer to the operation manual for the electric actuator.
○	Moving force	Max. torque during the positioning operation (No specific change is required.)
○	Area 1, Area 2	Condition that turns on the AREA output signal.
◎	In position	Transfer distance during pushing. If the transferred distance exceeds the setting, it stops even if it is not pushing. If the transfer distance is exceeded, the INP output signal will not turn on.

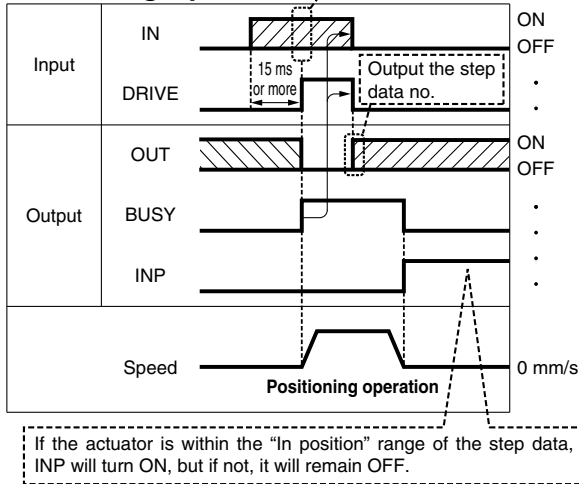
Signal Timing

Return to Origin



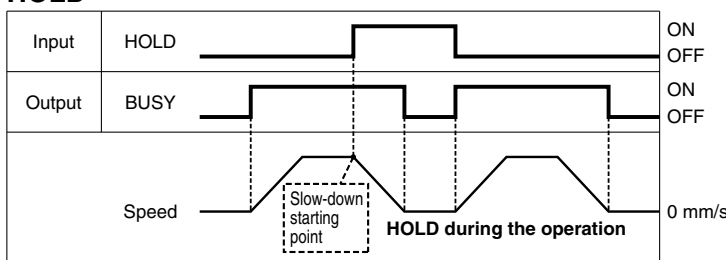
* *ALARM and *ESTOP are expressed as negative-logic circuits.

Positioning Operation



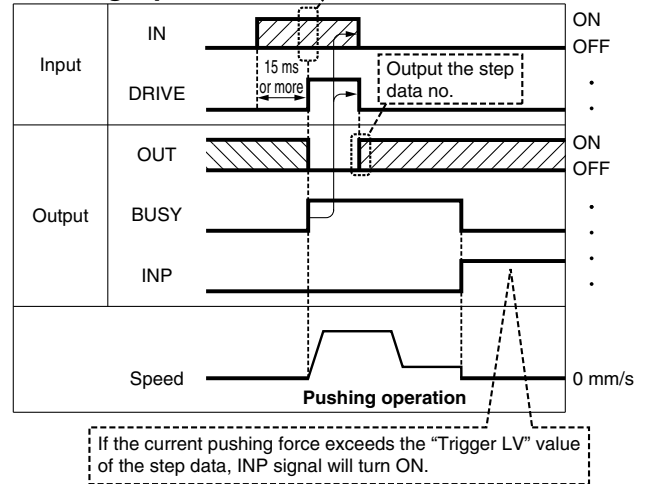
* "OUT" is output when "DRIVE" is changed from ON to OFF.
Refer to the operation manual for details on the controller for the LEM series.
(When power supply is applied, "DRIVE" or "RESET" is turned ON or *ESTOP is turned OFF, all of the "OUT" outputs are OFF.)

HOLD

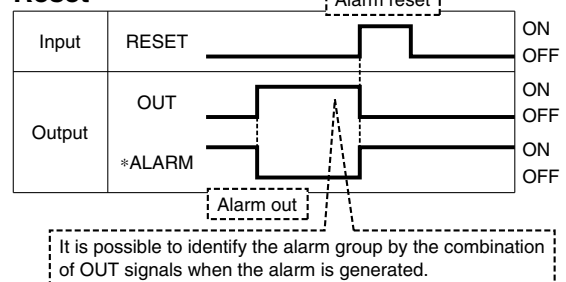


* When the actuator is within the "In position" range in the pushing operation, it does not stop even if HOLD signal is input.

Pushing Operation



Reset



* *ALARM is expressed as a negative-logic circuit.

Model Selection

Step Motor (Servo/24 VDC)/Servo Motor (24 VDC)
LEYG LEY

AC Servo Motor
LEYG LEY

Environment
LEY-X7 LEY-X5

25A-LEY

JXC51/61

Step Motor (Servo/24 VDC)/Servo Motor (24 VDC)
LECA6

LECG

LECP1

LECPA

JXC

AC Servo Motor
LECS

LECY

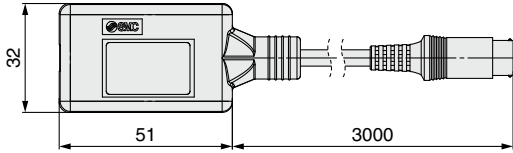
Specific Product Precautions

JXC51/61 Series

Options

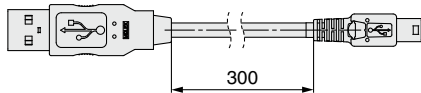
■ Communication cable for controller setting

① Communication cable JXC-W2A-C



* It can be connected to the controller directly.

② USB cable LEC-W2-U



③ Controller setting kit JXC-W2A

A set which includes a communication cable (JXC-W2A-C) and a USB cable (LEC-W2-U)

<Controller setting software/USB driver>

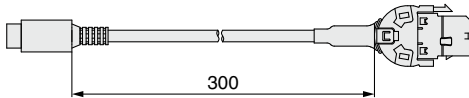
- Controller setting software
 - USB driver (For JXC-W2A-C)
- Download from SMC's website:
<https://www.smcworld.com>

Hardware Requirements

OS	Windows®7, Windows®8.1, Windows®10
Communication interface	USB 1.1 or USB 2.0 ports
Display	1024 x 768 or more

* Windows®7, Windows®8.1, and Windows®10 are registered trademarks of Microsoft Corporation in the United States.

■ Conversion cable P5062-5 (Cable length: 300 mm)



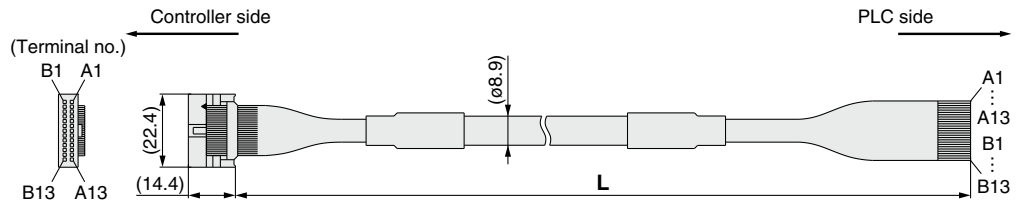
* To connect the teaching box (LEC-T1-3□J□G□) or controller setting kit (LEC-W2□) to the controller, a conversion cable is required.

■ I/O cable

LEC-CN5-1

Cable length (L) [m]	
1	1.5
3	3
5	5

* Conductor size: AWG28



Connector pin no.	Insulation color	Dot mark	Dot color
A1	Light brown	■	Black
A2	Light brown	■	Red
A3	Yellow	■	Black
A4	Yellow	■	Red
A5	Light green	■	Black
A6	Light green	■	Red
A7	Gray	■	Black
A8	Gray	■	Red
A9	White	■	Black
A10	White	■	Red
A11	Light brown	■ ■	Black
A12	Light brown	■ ■	Red
A13	Yellow	■ ■	Black

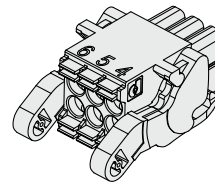
Connector pin no.	Insulation color	Dot mark	Dot color
B1	Yellow	■ ■	Red
B2	Light green	■ ■	Black
B3	Light green	■ ■	Red
B4	Gray	■ ■	Black
B5	Gray	■ ■	Red
B6	White	■ ■	Black
B7	White	■ ■	Red
B8	Light brown	■ ■ ■	Black
B9	Light brown	■ ■ ■	Red
B10	Yellow	■ ■ ■	Black
B11	Yellow	■ ■ ■	Red
B12	Light green	■ ■ ■	Black
B13	Light green	■ ■ ■	Red
—			Shield

Weight

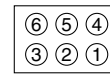
Product no.	Weight [g]
LEC-CN5-1	170
LEC-CN5-3	320
LEC-CN5-5	520

■ Power supply plug JXC-CPW

* The power supply plug is an accessory.



<Applicable cable size> AWG20 (0.5 mm²), cover diameter 2.0 mm or less



- ① C24V
- ② M24V
- ③ EMG
- ④ 0V
- ⑤ N.C.
- ⑥ LK RLS

Power supply plug

Terminal name	Function	Details
0V	Common supply (-)	The M24V terminal, C24V terminal, EMG terminal, and LK RLS terminal are common (-).
M24V	Motor power supply (+)	Motor power supply (+) of the controller
C24V	Control power supply (+)	Control power supply (+) of the controller
EMG	Stop (+)	Connection terminal of the external stop circuit
LK RLS	Lock release (+)	Connection terminal of the lock release switch

■ Teaching box

LEC-T1-3 J G

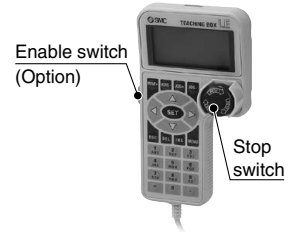
Teaching box

Cable length [m]
 3 3

Initial language

J	Japanese
E	English

* The displayed language can be changed to English or Japanese.



Enable switch

Nil	None
S	Equipped with enable switch

* Interlock switch for jog and test function

Stop switch

G	Equipped with stop switch
---	---------------------------

Specifications

Item	Description
Switch	Stop switch, Enable switch (Option)
Cable length [m]	3
Enclosure	IP64 (Except connector)
Operating temperature range [°C]	5 to 50
Operating humidity range [%RH]	90 or less (No condensation)
Weight [g]	350 (Except cable)

Controller (Step Data Input Type) Servo Motor (24 VDC)

LECA6 Series



LECA6 Series



* For details, refer to page 307 and onward.

How to Order

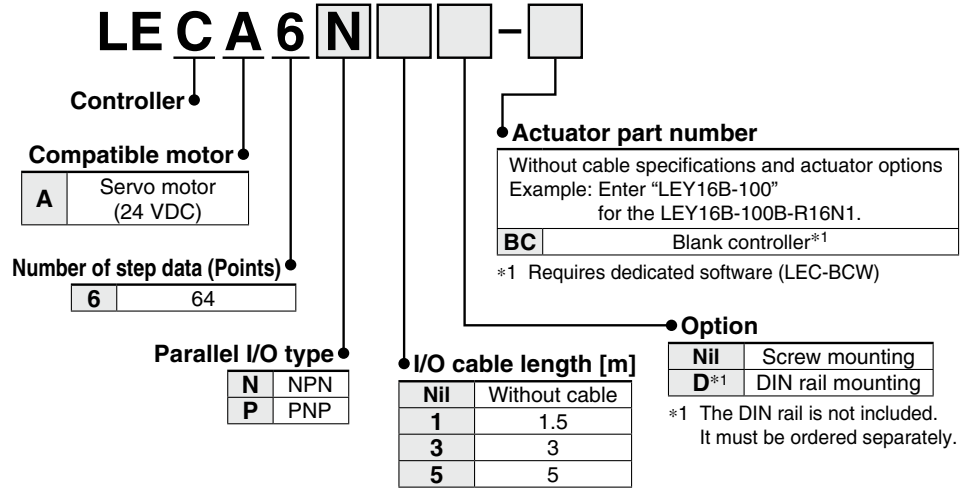
⚠ Caution

[CE-compliant products]

- EMC compliance was tested by combining the electric actuator LE series and the controller LEC series. The EMC depends on the configuration of the customer's control panel and the relationship with other electrical equipment and wiring. Therefore, compliance with the EMC directive cannot be certified for SMC components incorporated into the customer's equipment under actual operating conditions. As a result, it is necessary for the customer to verify compliance with the EMC directive for the machinery and equipment as a whole.
- For the LECA6 series (servo motor controller), EMC compliance was tested by installing a noise filter set (LEC-NFA). Refer to page 224 for the noise filter set. Refer to the LECA Operation Manual for installation.

[UL-compliant products]

When compliance with UL is required, the electric actuator and controller should be used with a UL1310 Class 2 power supply.



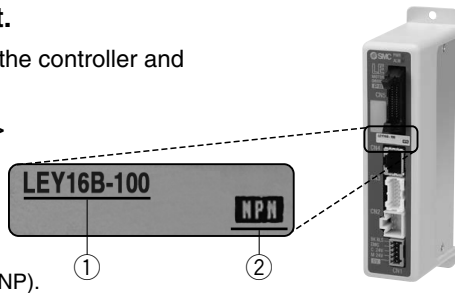
* When controller equipped type is selected when ordering the LE series, you do not need to order this controller.

The controller is sold as single unit after the compatible actuator is set.

Confirm that the combination of the controller and actuator is correct.

<Check the following before use.>

- Check the actuator label for the model number. This number should match that of the controller.
- Check that the Parallel I/O configuration matches (NPN or PNP).



Precautions for blank controllers (LEC□6□□-BC)

A blank controller is a controller to which the customer can write the data of the actuator it is to be combined and used with. Use the dedicated software (LEC-BCW) for data writing.

- Please download the dedicated software (LEC-BCW) via our website.
- Order the communication cable for controller setting (LEC-W2A-C) separately to use this software.

SMC website:
<https://www.smcworld.com>

* Refer to the operation manual for using the products. Please download it via our website:
<https://www.smcworld.com>

Specifications

Basic Specifications

Item	LECA6
Compatible motor	Servo motor (24 VDC)
Power supply*1	Power voltage: 24 VDC ±10%*2 [Including motor drive power, control power, stop, lock release]
Parallel input	11 inputs (Photo-coupler isolation)
Parallel output	13 outputs (Photo-coupler isolation)
Compatible encoder	Incremental
Serial communication	RS485 (Modbus protocol compliant)
Memory	EEPROM
LED indicator	LED (Green/Red) one of each
Lock control	Forced-lock release terminal*3
Cable length [m]	I/O cable: 5 or less, Actuator cable: 20 or less
Cooling system	Natural air cooling
Operating temperature range [°C]	0 to 40 (No freezing)
Operating humidity range [%RH]	90 or less (No condensation)
Storage temperature range [°C]	-10 to 60 (No freezing)
Storage humidity range [%RH]	90 or less (No condensation)
Insulation resistance [MΩ]	Between the housing and SG terminal: 50 (500 VDC)
Weight [g]	150 (Screw mounting), 170 (DIN rail mounting)

*1 Do not use the power supply of "inrush current prevention type" for the controller power supply. When compliance with UL is required, the electric actuator and controller should be used with a UL1310 Class 2 power supply.

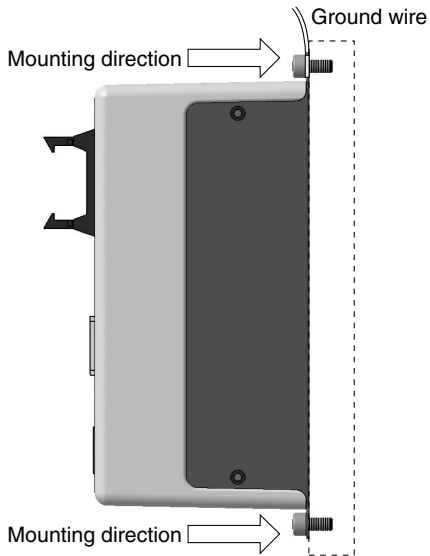
*2 The power consumption changes depending on the actuator model. Refer to the specifications of actuator for more details.

*3 Applicable to non-magnetizing locks

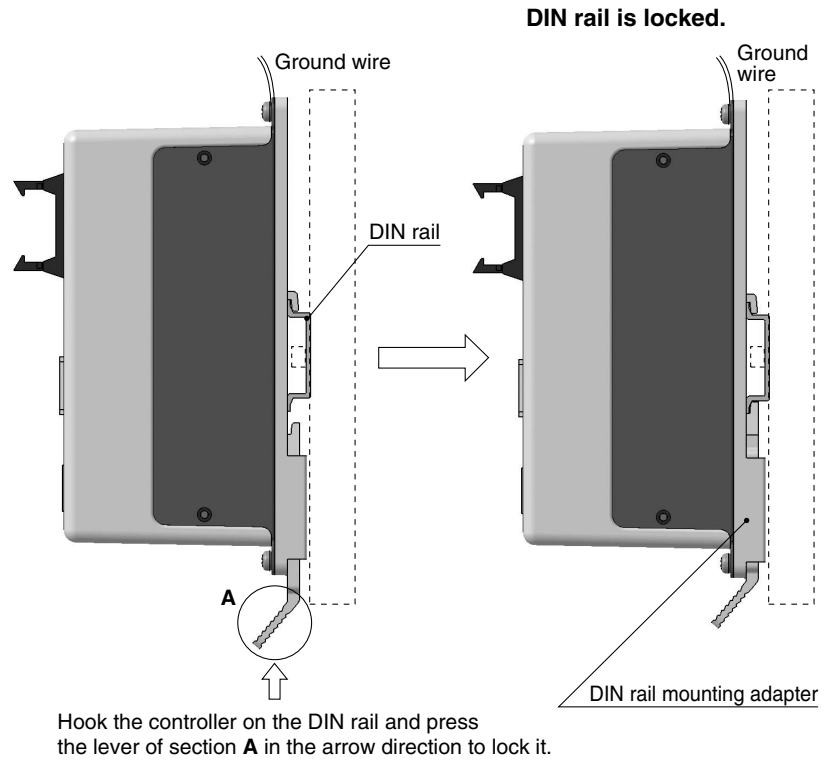
LECA6 Series

How to Mount

a) Screw mounting (LECA6□□-□) (Installation with two M4 screws)



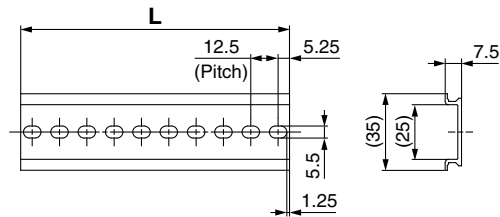
b) DIN rail mounting (LECA6□□D-□) (Installation with the DIN rail)



* When size 25 or more of the LE series are used, the space between the controllers should be 10 mm or more.

DIN rail AXT100-DR-□

* For □, enter a number from the No. line in the table below.
Refer to the dimension drawings on page 220 for the mounting dimensions.



L Dimensions [mm]

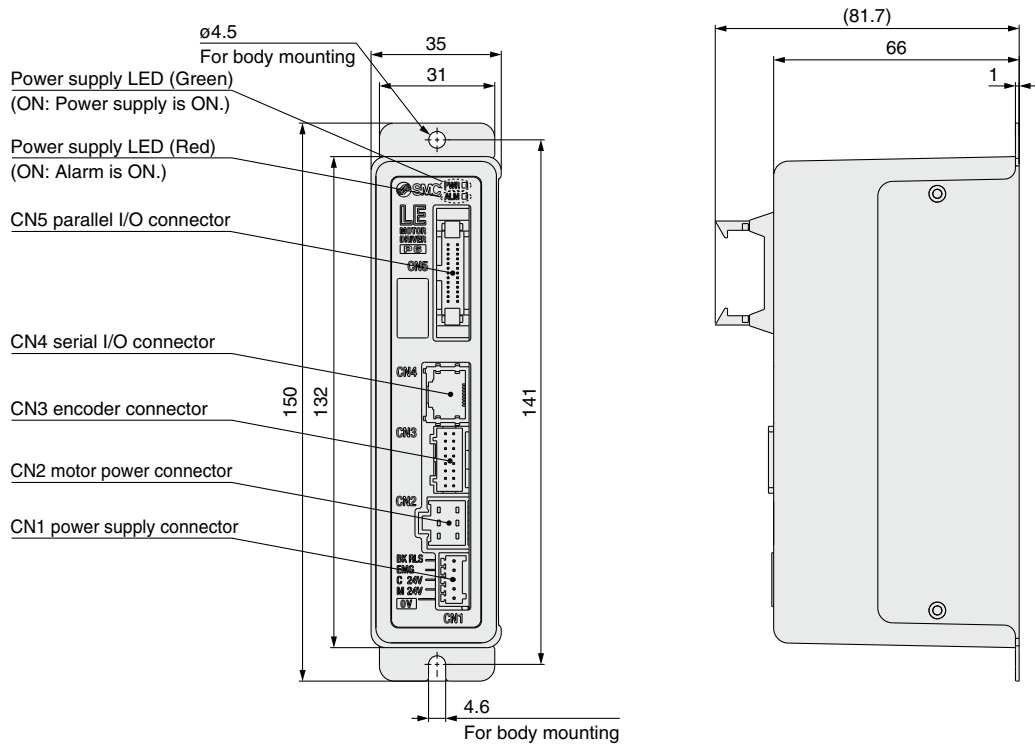
No.	1	2	3	4	5	6	7	8	9	10	11	12	13	14	15	16	17	18	19	20
L	23	35.5	48	60.5	73	85.5	98	110.5	123	135.5	148	160.5	173	185.5	198	210.5	223	235.5	248	260.5
No.	21	22	23	24	25	26	27	28	29	30	31	32	33	34	35	36	37	38	39	40
L	273	285.5	298	310.5	323	335.5	348	360.5	373	385.5	398	410.5	423	435.5	448	460.5	473	485.5	498	510.5

DIN rail mounting adapter LEC-D0 (with 2 mounting screws)

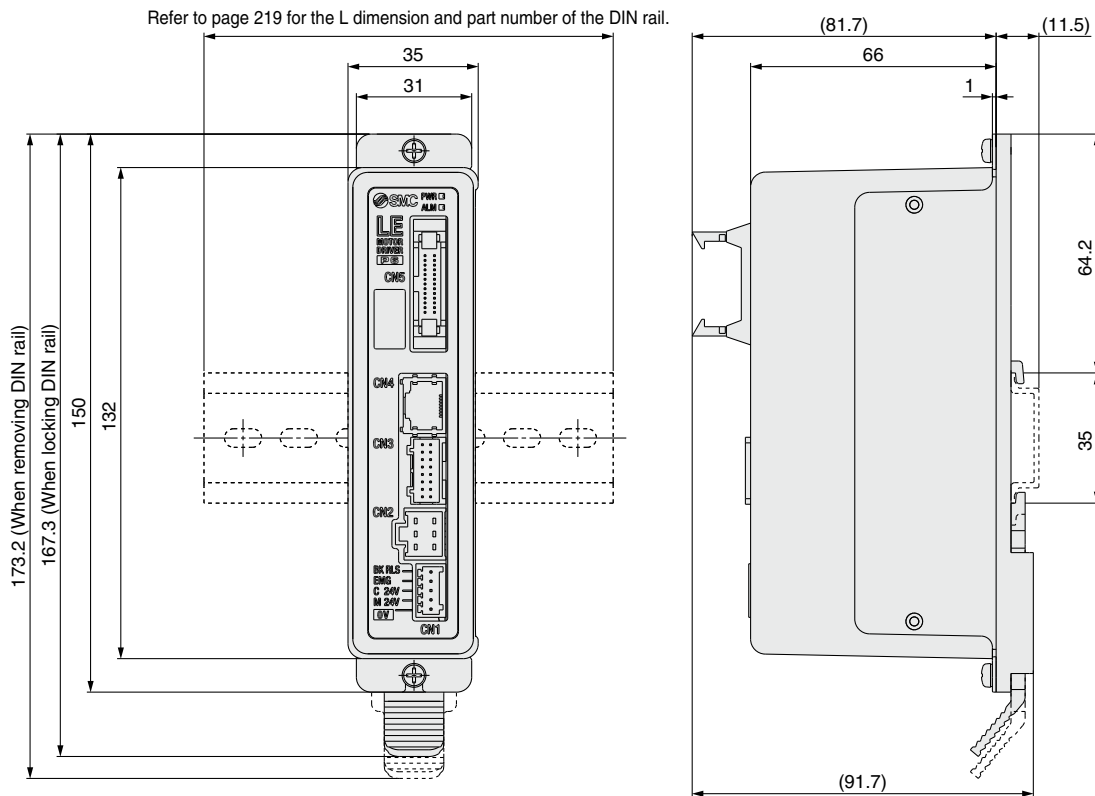
This should be used when the DIN rail mounting adapter is mounted onto a screw mounting type controller afterward.

Dimensions

a) Screw mounting (LECA6□□-□)



b) DIN rail mounting (LECA6□□D-□)



Model Selection

Step Motor (Servo/24 VDC)/Servo Motor (24 VDC)

LEY

LEYG

AC Servo Motor

LEY

LEYG

Environment

LEY-X7

LEY-X5

25A-LEY

Step Motor (Servo/24 VDC)/Servo Motor (24 VDC)

JXC51/61

LECA6

LEC-G

LECP1

LECPA

JXC□

AC Servo Motor

LECS□

LECY□

Specific Product Precautions

LECA6 Series

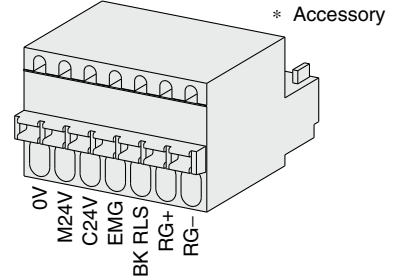
Wiring Example 1

Power Supply Connector: CN1 * The power supply plug is an accessory.
 <Applicable cable size> AWG20 (0.5 mm²), cover diameter 2.0 mm or less

CN1 Power Supply Connector Terminal for LECA6 (PHOENIX CONTACT FK-MC0.5/7-ST-2.5)

Terminal name	Function	Details
0V	Common supply (-)	The M24V terminal, C24V terminal, EMG terminal, and BK RLS terminal are common (-).
M24V	Motor power supply (+)	Motor power supply (+) supplied to the controller
C24V	Control power supply (+)	Control power supply (+) supplied to the controller
EMG	Stop (+)	Input (+) for releasing the stop
BK RLS	Lock release (+)	Input (+) for releasing the lock
RG+	Regenerative output 1	Regenerative output terminals for external connection
RG-	Regenerative output 2	(Not necessary to connect them in the combination with the LE series standard specifications.)

Power supply plug for LECA6: LEC-D-1-2

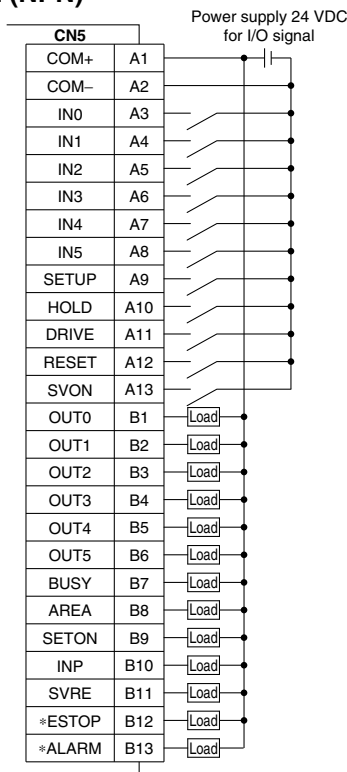


Wiring Example 2

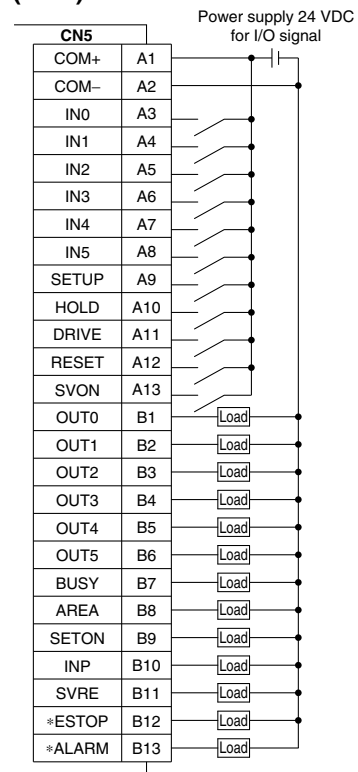
Parallel I/O Connector: CN5 * When you connect a PLC to the CN5 parallel I/O connector, use the I/O cable (LEC-CN5-□).
 * The wiring changes depending on the type of parallel I/O (NPN or PNP).

Wiring diagram

LECA6N□□□□ (NPN)



LECA6P□□□□ (PNP)



Input Signal

Name	Details
COM+	Connects the power supply 24 V for input/output signal
COM-	Connects the power supply 0 V for input/output signal
IN0 to IN5	Step data specified bit no. (Input is instructed by combining IN0 to 5.)
SETUP	Instruction to return to origin
HOLD	Temporarily stops operation
DRIVE	Instruction to drive
RESET	Resets alarm and interrupts operation
SVON	Servo ON instruction

Output Signal

Name	Details
OUT0 to OUT5	Outputs the step data no. during operation
BUSY	Outputs when the actuator is moving
AREA	Outputs within the step data area output setting range
SETON	Outputs when returning to origin
INP	Outputs when target position or target force is reached (Turns on when the positioning or pushing is completed.)
SVRE	Outputs when servo is ON
ESTOP ¹	OFF when EMG stop is instructed
ALARM ¹	OFF when alarm is generated

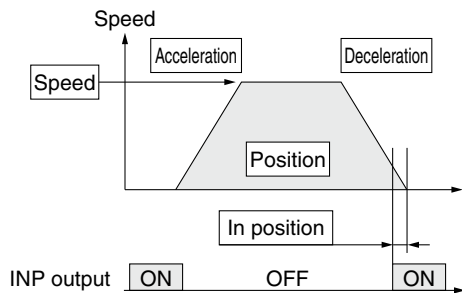
*¹ Negative-logic (N.C.) circuit signal

Step Data Setting

1. Step data setting for positioning

In this setting, the actuator moves toward and stops at the target position.

The following diagram shows the setting items and operation. The setting items and set values for this operation are stated below.



- ◎ : Need to be set.
- : Need to be adjusted as required.
- : Setting is not required.

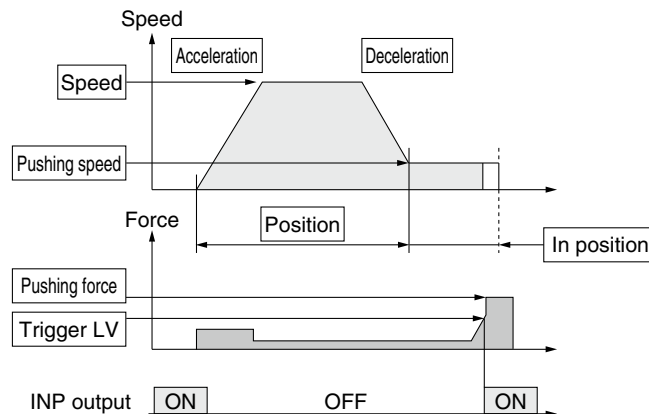
Step Data (Positioning)

Necessity	Item	Details
◎	Movement MOD	When the absolute position is required, set Absolute. When the relative position is required, set Relative.
◎	Speed	Transfer speed to the target position
◎	Position	Target position
○	Acceleration	Parameter which defines how rapidly the actuator reaches the speed set. The higher the set value, the faster it reaches the speed set.
○	Deceleration	Parameter which defines how rapidly the actuator comes to stop. The higher the set value, the quicker it stops.
◎	Pushing force	Set 0. (If values 1 to 100 are set, the operation will be changed to the pushing operation.)
—	Trigger LV	Setting is not required.
—	Pushing speed	Setting is not required.
○	Moving force	Max. torque during the positioning operation (No specific change is required.)
○	Area 1, Area 2	Condition that turns on the AREA output signal.
○	In position	Condition that turns on the INP output signal. When the actuator enters the range of [in position], the INP output signal turns on. (It is unnecessary to change this from the initial value.) When it is necessary to output the arrival signal before the operation is completed, make the value larger.

2. Step data setting for pushing

The actuator moves toward the pushing start position, and when it reaches that position, it starts pushing with the set force or less.

The following diagram shows the setting items and operation. The setting items and set values for this operation are stated below.



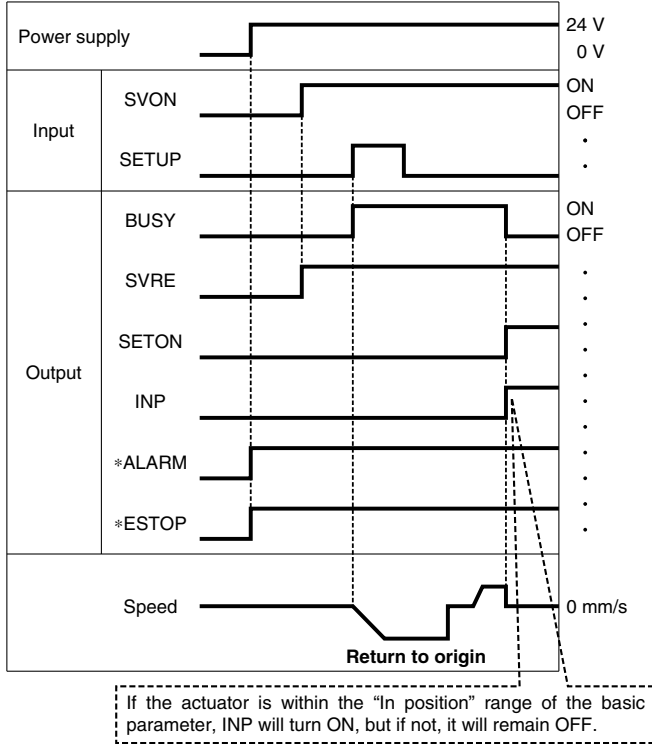
- ◎ : Need to be set.
- : Need to be adjusted as required.

Step Data (Pushing)

Necessity	Item	Details
◎	Movement MOD	When the absolute position is required, set Absolute. When the relative position is required, set Relative.
◎	Speed	Transfer speed to the pushing start position
◎	Position	Pushing start position
○	Acceleration	Parameter which defines how rapidly the actuator reaches the speed set. The higher the set value, the faster it reaches the speed set.
○	Deceleration	Parameter which defines how rapidly the actuator comes to stop. The higher the set value, the quicker it stops.
◎	Pushing force	Pushing force ratio is defined. The setting range differs depending on the electric actuator type. Refer to the operation manual for the electric actuator.
◎	Trigger LV	Condition that turns on the INP output signal. The INP output signal turns on when the generated force exceeds the value. Trigger level should be the pushing force or less.
○	Pushing speed	Pushing speed during pushing. When the speed is set fast, the electric actuator and workpieces might be damaged due to the impact when they hit the end, so this set value should be smaller. Refer to the operation manual for the electric actuator.
○	Moving force	Max. torque during the positioning operation (No specific change is required.)
○	Area 1, Area 2	Condition that turns on the AREA output signal.
◎	In position	Transfer distance during pushing. If the transferred distance exceeds the setting, it stops even if it is not pushing. If the transfer distance is exceeded, the INP output signal will not turn on.

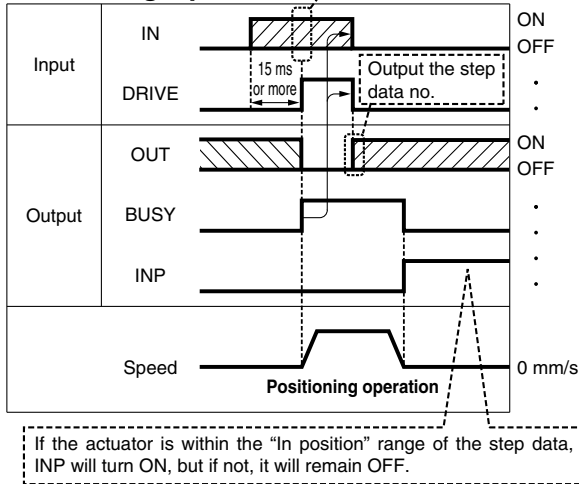
Signal Timing

Return to Origin



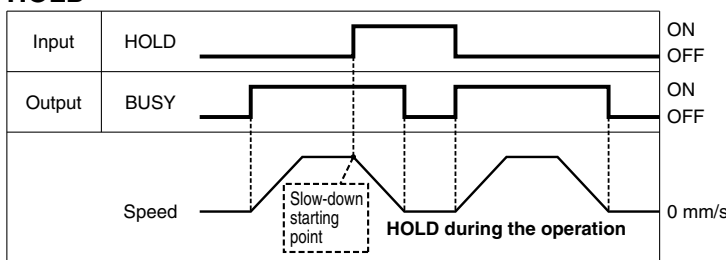
* *ALARM* and *ESTOP* are expressed as negative-logic circuits.

Positioning Operation



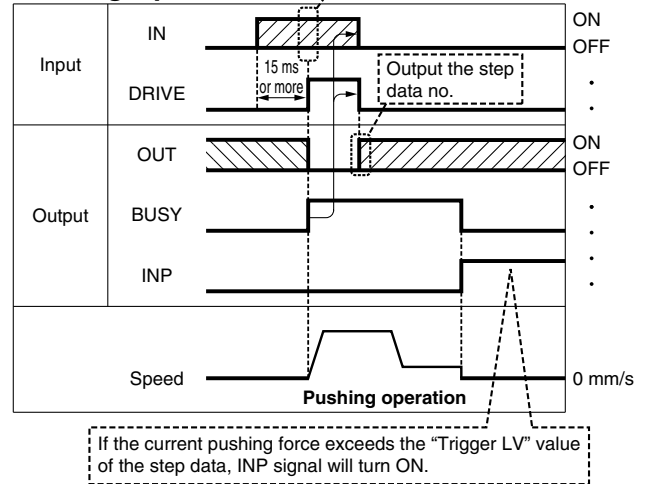
* "OUT" is output when "DRIVE" is changed from ON to OFF.
Refer to the operation manual for details on the controller for the LEM series.
(When power supply is applied, "DRIVE" or "RESET" is turned ON or *ESTOP* is turned OFF, all of the "OUT" outputs are OFF.)

HOLD

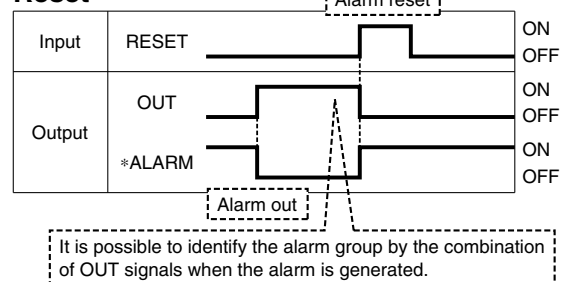


* When the actuator is within the "In position" range in the pushing operation, it does not stop even if HOLD signal is input.

Pushing Operation



Reset



* *ALARM* is expressed as a negative-logic circuit.

Option: I/O Cable

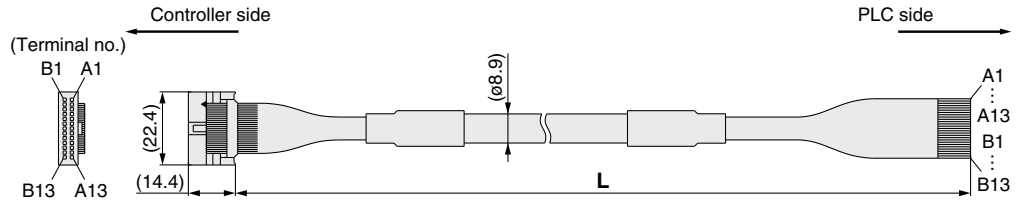
LEC-CN5-1

Cable length (L) [m]	
1	1.5
3	3
5	5

* Conductor size: AWG28

Weight

Product no.	Weight [g]
LEC-CN5-1	170
LEC-CN5-3	320
LEC-CN5-5	520



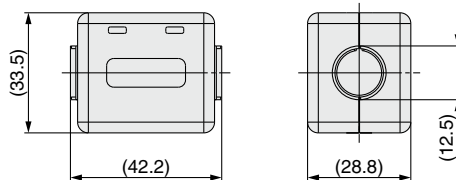
Connector pin no.	Insulation color	Dot mark	Dot color
A1	Light brown	■	Black
A2	Light brown	■	Red
A3	Yellow	■	Black
A4	Yellow	■	Red
A5	Light green	■	Black
A6	Light green	■	Red
A7	Gray	■	Black
A8	Gray	■	Red
A9	White	■	Black
A10	White	■	Red
A11	Light brown	■ ■	Black
A12	Light brown	■ ■	Red
A13	Yellow	■ ■	Black

Connector pin no.	Insulation color	Dot mark	Dot color
B1	Yellow	■ ■	Red
B2	Light green	■ ■	Black
B3	Light green	■ ■	Red
B4	Gray	■ ■	Black
B5	Gray	■ ■	Red
B6	White	■ ■	Black
B7	White	■ ■	Red
B8	Light brown	■ ■ ■	Black
B9	Light brown	■ ■ ■	Red
B10	Yellow	■ ■ ■	Black
B11	Yellow	■ ■ ■	Red
B12	Light green	■ ■ ■	Black
B13	Light green	■ ■ ■	Red
—			Shield

Option: Noise Filter Set for Servo Motor (24 VDC)

LEC-NFA

Contents of the set: 2 noise filters (Manufactured by WURTH ELEKTRONIK: 74271222)



* Refer to the LECA6 series Operation Manual for installation.

Model Selection

Step Motor (Servo/24 VDC)/Servo Motor (24 VDC) LEY

LEYG

AC Servo Motor LEY

LEYG

Environment LEY-X7

25A-LEY LEY-X5

Step Motor (Servo/24 VDC)/Servo Motor (24 VDC) LECA6

LEC-G

JXC

LECPC

LECPC

LECPC

LECPC

LECPC

LECPC

LECPC

Specific Product Precautions

Gateway Unit

LEC-G Series



How to Order

⚠ Caution

[CE-compliant products]
EMC compliance was tested by combining the electric actuator LE series and the controller LEC series. The EMC depends on the configuration of the customer's control panel and the relationship with other electrical equipment and wiring. Therefore, compliance with the EMC directive cannot be certified for SMC components incorporated into the customer's equipment under actual operating conditions. As a result, it is necessary for the customer to verify compliance with the EMC directive for the machinery and equipment as a whole.

[UL-compliant products]
When compliance with UL is required, the electric actuator and controller should be used with a UL1310 Class 2 power supply.

Gateway unit **LEC-G MJ2**

Applicable Fieldbus protocols

MJ2	CC-Link Ver. 2.0
DN1	DeviceNet™
PR1	PROFIBUS DP
EN1	EtherNet/IP™

Mounting

Nil	Screw mounting
D*1	DIN rail

*1 The DIN rail is not included. It must be ordered separately.



Cable

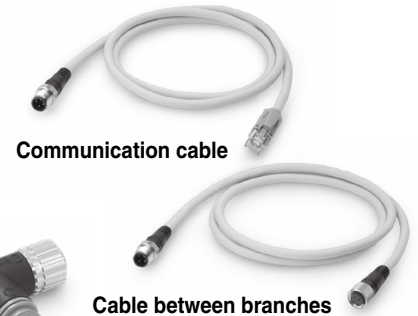
LEC-CG 1-L

Cable type

1	Communication cable
2	Cable between branches

Cable length

K	0.3 m
L	0.5 m
1	1 m



Branch connector **LEC-CGD**

Branch connector



Terminating resistor **LEC-CGR**

Specifications

Model		LEC-GMJ2	LEC-GDN1	LEC-GPR1	LEC-GEN1		
Communication specifications	Applicable system	Fieldbus	CC-Link	DeviceNet™	PROFIBUS DP	EtherNet/IP™	
		Version*1	Ver. 2.0	Release 2.0	V1	Release 1.0	
	Communication speed [bps]		156 k/625 k/2.5 M /5 M/10 M	125 k/250 k/500 k	9.6 k/19.2 k/45.45 k/ 93.75 k/187.5 k/500 k/ 1.5 M/3 M/6 M/12 M	10 M/100 M	
	Configuration file*2		—	EDS file	GSD file	EDS file	
	I/O occupation area		4 stations occupied (8 times setting)	Input 896 points 108 words Output 896 points 108 words	Input 200 bytes Output 200 bytes	Input 57 words Output 57 words	Input 256 bytes Output 256 bytes
	Power supply for communication	Power supply voltage [V]*6	—	11 to 25 VDC	—	—	
		Internal current consumption [mA]	—	100	—	—	
Communication connector specifications		Connector (Accessory)	Connector (Accessory)	D-sub	RJ45		
Terminating resistor		Not included	Not included	Not included	Not included		
Power supply voltage [V]*6		24 VDC ±10%					
Current consumption [mA]	Not connected to teaching box	200					
	Connected to teaching box	300					
EMG output terminal		30 VDC 1 A					
Controller specifications	Applicable controllers	LECA6 Series					
	Communication speed [bps]*3	115.2 k/230.4 k					
	Max. number of connectable controllers*4	12	8*5	5	12		
Accessories		Power supply connector, communication connector		Power supply connector			
Operating temperature range [°C]		0 to 40 (No freezing)					
Operating humidity range [%RH]		90 or less (No condensation)					
Storage temperature range [°C]		-10 to 60 (No freezing)					
Storage humidity range [%RH]		90 or less (No condensation)					
Weight [g]		200 (Screw mounting), 220 (DIN rail mounting)					

*1 Please note that versions are subject to change.

*2 Each file can be downloaded from the SMC website.

*3 When using a teaching box (LEC-T1-□), set the communication speed to 115.2 kbps.

*4 A communication response time for 1 controller is approximately 30 ms.

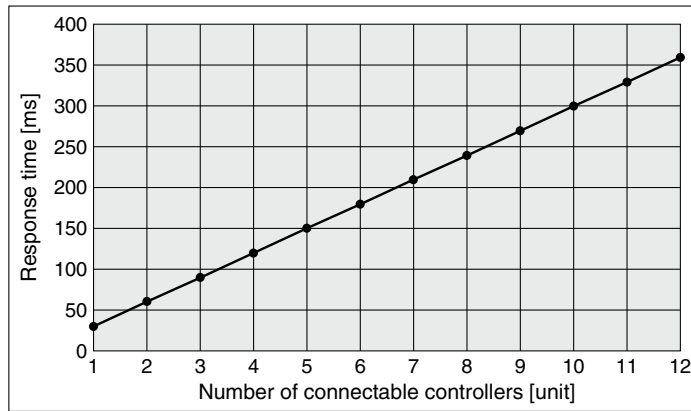
Refer to the "Communication Response Time Guideline" for response times when several controllers are connected.

*5 For step data input, up to 12 controllers connectable.

*6 When compliance with UL is required, the electric actuator and controller should be used with a UL1310 Class 2 power supply.

Communication Response Time Guideline

Response time between gateway unit and controllers depends on the number of controllers connected to the gateway unit. For response time, refer to the graph below.

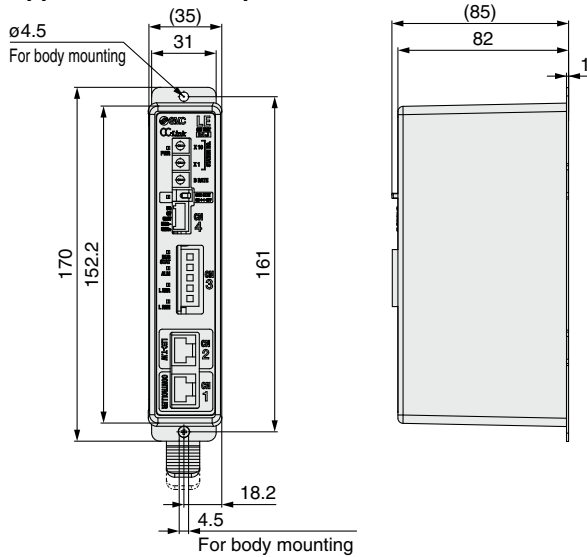


* This graph shows delay times between gateway unit and controllers. Fieldbus network delay time is not included.

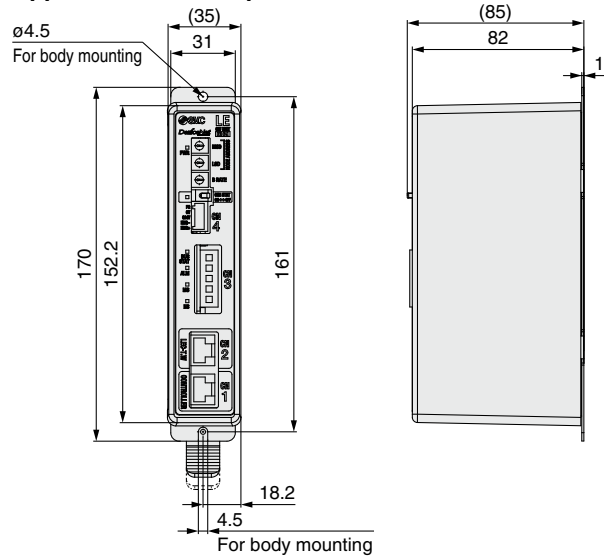
Dimensions

Screw mounting (LEC-G□□□□)

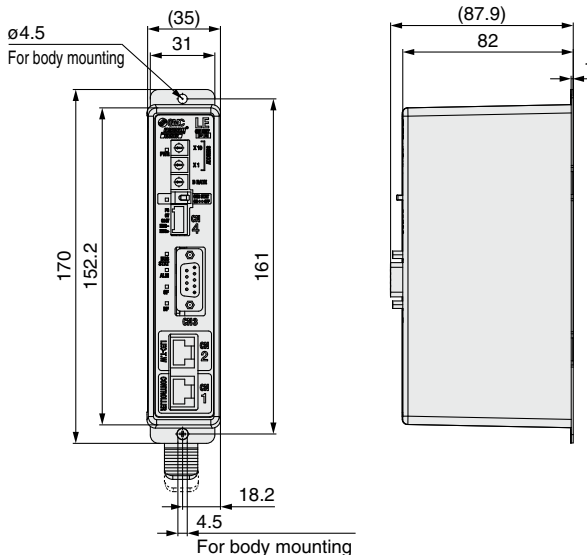
Applicable Fieldbus protocol: **CC-Link Ver. 2.0**



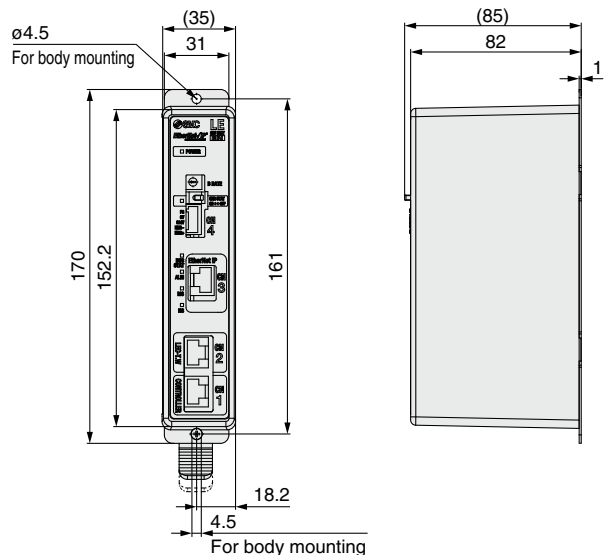
Applicable Fieldbus protocol: **DeviceNet™**



Applicable Fieldbus protocol: **PROFIBUS DP**



Applicable Fieldbus protocol: **EtherNet/IP™**



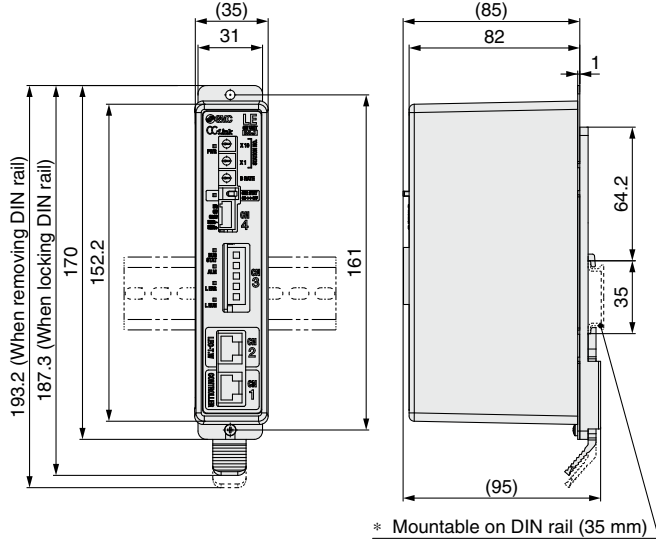
■ **Trademark** DeviceNet™ is a trademark of ODVA. EtherNet/IP™ is a trademark of ODVA.

LEC-G Series

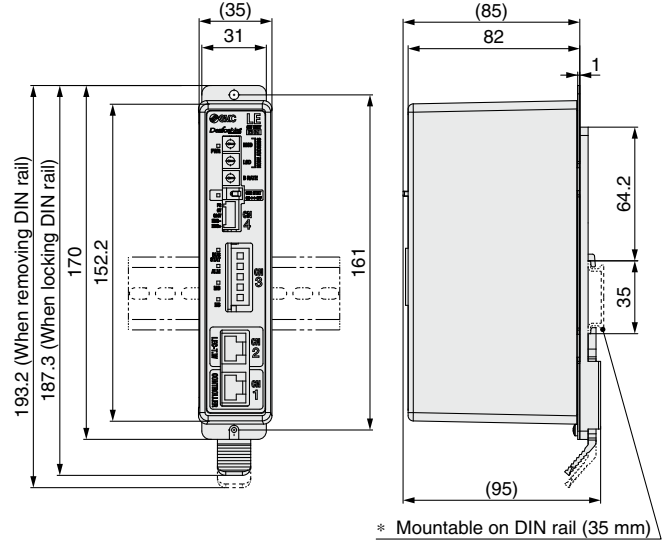
Dimensions

DIN rail mounting (LEC-G□□□D)

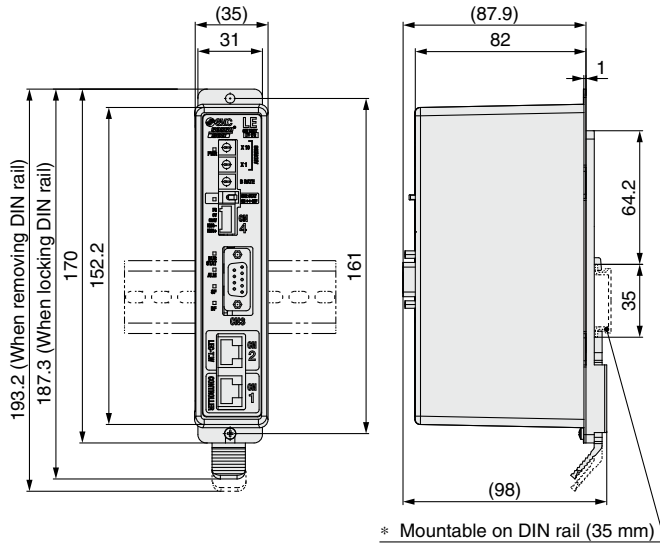
Applicable Fieldbus protocol: CC-Link Ver. 2.0



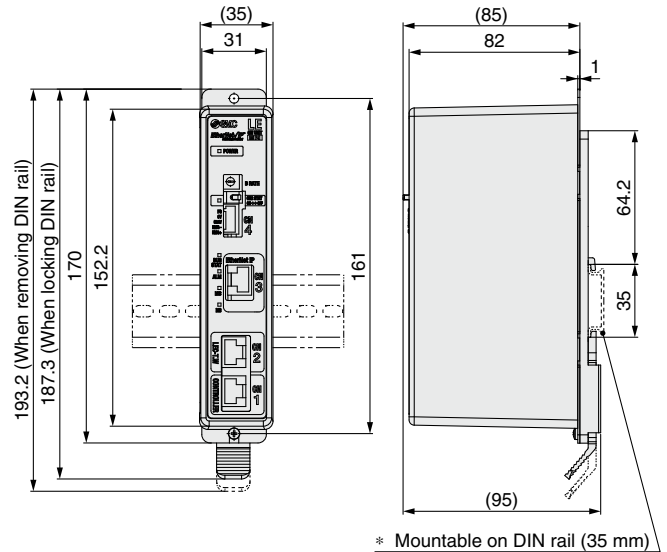
Applicable Fieldbus protocol: DeviceNet™



Applicable Fieldbus protocol: PROFIBUS DP



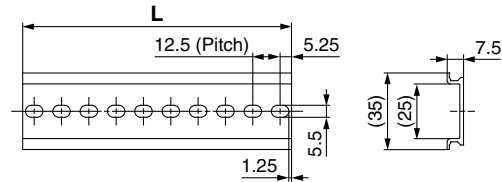
Applicable Fieldbus protocol: EtherNet/IP™



DIN rail

AXT100-DR-□

* For □, enter a number from the No. line in the table below. Refer to the dimension drawings above for the mounting dimensions.



L Dimensions [mm]

No.	1	2	3	4	5	6	7	8	9	10	11	12	13	14	15	16	17	18	19	20
L	23	35.5	48	60.5	73	85.5	98	110.5	123	135.5	148	160.5	173	185.5	198	210.5	223	235.5	248	260.5
No.	21	22	23	24	25	26	27	28	29	30	31	32	33	34	35	36	37	38	39	40
L	273	285.5	298	310.5	323	335.5	348	360.5	373	385.5	398	410.5	423	435.5	448	460.5	473	485.5	498	510.5

■Trademark DeviceNet™ is a trademark of ODVA. EtherNet/IP™ is a trademark of ODVA.

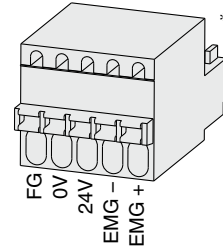
Wiring Example

Power Supply Connector: CN1 * The power supply plug is an accessory.
 <Applicable cable size> AWG20 (0.5 mm²), cover diameter 2.0 mm or less

CN1 Power Supply Connector Terminal for LEC-G (PHOENIX CONTACT FK-MC0.5/5-ST-2.5)

Terminal name	Function	Details
EMG +	EMG signal output +	Output terminal of the emergency stop switch of the teaching box
EMG -	EMG signal output -	
24V	Power supply + terminal	Power supply terminal of the Gateway unit (Power to the teaching box is supplied from this terminal)
0V	Power supply - terminal	
FG	FG terminal	Grounding terminal

Power supply plug for LEC-G: LEC-D-1-1 * Accessory



Model Selection

Step Motor (Servo/24 VDC)/Servo Motor (24 VDC)
 LEY
 LEYG

AC Servo Motor
 LEY
 LEYG

Environment
 25A-LEY
 LEY-X5
 LEY-X7

Step Motor (Servo/24 VDC)/Servo Motor (24 VDC)
 JXC
 LECPA
 LECP1
 LECG
 LECG
 LECG
 JXC51/61

AC Servo Motor
 LECY
 LECY
 LECG

Specific Product Precautions

Programless Controller

LECP1 Series



* For details, refer to page 307 and onward.

How to Order

LECP1N1□ - LEY16B-100

Controller

Compatible motor

P	Step motor (Servo/24 VDC)
----------	---------------------------

Number of step data (Points)

1	14 (Programless)
----------	------------------

Parallel I/O type

N	NPN
P	PNP

Option

Nil	Screw mounting
D*1	DIN rail mounting

*1 The DIN rail is not included. It must be ordered separately.

I/O cable length [m]

	Without cable
1	1.5
3	3
5	5

Actuator part number

(Without cable specifications and actuator options)
Example: Enter "LEY16B-100" for the LEY16B-100B-R16N1.

* When controller equipped type is selected when ordering the LE series, you do not need to order this controller.

Caution

[CE-compliant products]

EMC compliance was tested by combining the electric actuator LE series and the controller LEC series. The EMC depends on the configuration of the customer's control panel and the relationship with other electrical equipment and wiring. Therefore, compliance with the EMC directive cannot be certified for SMC components incorporated into the customer's equipment under actual operating conditions. As a result, it is necessary for the customer to verify compliance with the EMC directive for the machinery and equipment as a whole.

[UL-compliant products]

When compliance with UL is required, the electric actuator and controller should be used with a UL1310 Class 2 power supply.

The controller is sold as single unit after the compatible actuator is set.

Confirm that the combination of the controller and actuator is correct.

* Refer to the operation manual for using the products. Please download it via our website: <https://www.smcworld.com>

Specifications

Basic Specifications

Item	LECP1
Compatible motor	Step motor (Servo/24 VDC)
Power supply*1	Power supply voltage: 24 VDC ±10%*2 [Including the motor drive power, control power supply, stop, lock release]
Parallel input	6 inputs (Photo-coupler isolation)
Parallel output	6 outputs (Photo-coupler isolation)
Stop points	14 points (Position number 1 to 14(E))
Compatible encoder	Incremental
Memory	EEPROM
LED indicator	LED (Green/Red) one of each
7-segment LED display*3	1 digit, 7-segment display (Red) Figures are expressed in hexadecimal ("10" to "15" in decimal number are expressed as "A" to "F")
Lock control	Forced-lock release terminal*4
Cable length [m]	I/O cable: 5 or less, Actuator cable: 20 or less
Cooling system	Natural air cooling
Operating temperature range [°C]	0 to 40 (No freezing)
Operating humidity range [%RH]	90 or less (No condensation)
Storage temperature range [°C]	-10 to 60 (No freezing)
Storage humidity range [%RH]	90 or less (No condensation)
Insulation resistance [M.Ω]	Between the housing and SG terminal: 50 (500 VDC)
Weight [g]	130 (Screw mounting), 150 (DIN rail mounting)

*1 Do not use the power supply of "inrush current prevention type" for the controller input power supply. When compliance with UL is required, the electric actuator and controller should be used with a UL1310 Class 2 power supply.

*2 The power consumption changes depending on the actuator model. Refer to the each actuator's operation manual, etc., for details.

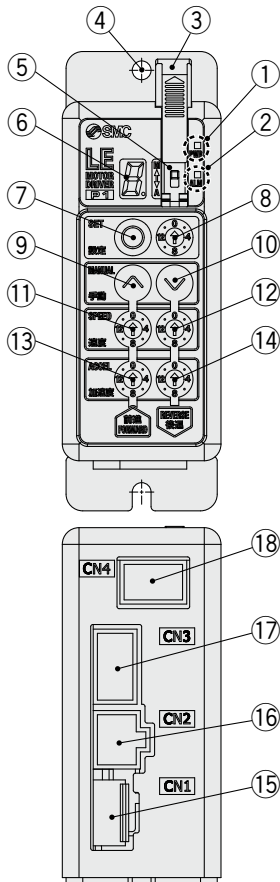
*3 "10" to "15" in decimal number are displayed as follows in the 7-segment LED.



Decimal display	10	11	12	13	14	15
Hexadecimal display	A	b	c	d	E	F

*4 Applicable to non-magnetizing locks

Controller Details



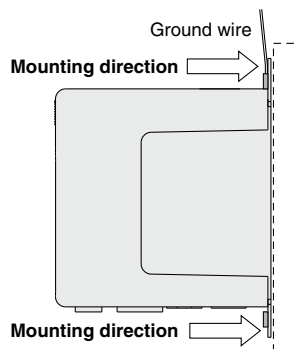
No.	Display	Description	Details
①	PWR	Power supply LED	Power supply ON/Servo ON : Green turns on Power supply ON/Servo OFF : Green flashes
②	ALM	Alarm LED	With alarm : Red turns on Parameter setting : Red flashes
③	—	Cover	Change and protection of the mode switch (Close the cover after changing switch)
④	—	FG	Frame ground (Tighten the screw with the washer when mounting the controller. Connect the ground wire.)
⑤	—	Mode switch	Switch the mode between manual and auto.
⑥	—	7-segment LED	Stop position, the value set by ⑧ and alarm information are displayed.
⑦	SET	Set button	Decide the settings or drive operation in Manual mode.
⑧	—	Position selecting switch	Assign the position to drive (1 to 14), and the origin position (15).
⑨	MANUAL	Manual forward button	Perform forward jog and inching.
⑩		Manual reverse button	Perform reverse jog and inching.
⑪	SPEED	Forward speed switch	16 forward speeds are available.
⑫		Reverse speed switch	16 reverse speeds are available.
⑬	ACCEL	Forward acceleration switch	16 forward acceleration steps are available.
⑭		Reverse acceleration switch	16 reverse acceleration steps are available.
⑮	CN1	Power supply connector	Connect the power supply cable.
⑯	CN2	Motor connector	Connect the motor connector.
⑰	CN3	Encoder connector	Connect the encoder connector.
⑱	CN4	I/O connector	Connect I/O cable.

How to Mount

Controller mounting shown below.

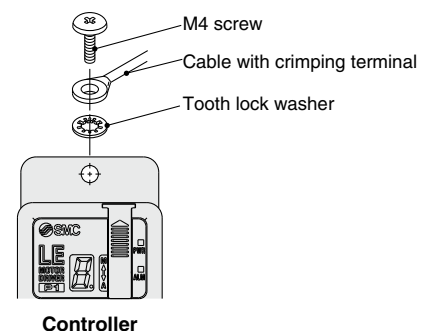
1. Mounting screw (LECP1□□-□)

(Installation with two M4 screws)



2. Grounding

Tighten the screw with the washer when mounting the ground wire as shown below.



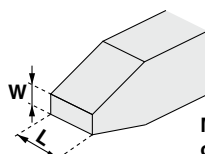
* When size 25 or more of the LE series are used, the space between the controllers should be 10 mm or more.

⚠ Caution

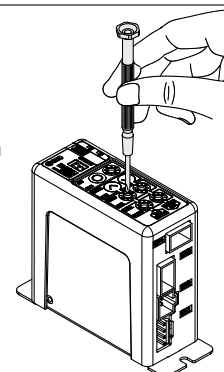
- M4 screws, cable with crimping terminal and tooth lock washer are not included. Be sure to carry out grounding earth in order to ensure the noise tolerance.
- Use a watchmaker's screwdriver of the size shown below when changing position switch ⑧ and the set value of the speed/acceleration switch ⑪ to ⑭.

Size

End width **L**: 2.0 to 2.4 [mm]
End thickness **W**: 0.5 to 0.6 [mm]



Magnified view of the end of the screwdriver



Model Selection

Step Motor (Servo/24 VDC)/Servo Motor (24 VDC)

LEY

LEYG

AC Servo Motor

LEY

LEYG

Environment

LEY-X7

LEY-X5

25A-LEY

Step Motor (Servo/24 VDC)/Servo Motor (24 VDC)

JXC51/61

LECA6

LEC-G

LECP1

LECPA

AC Servo Motor

JXC□

LECS□

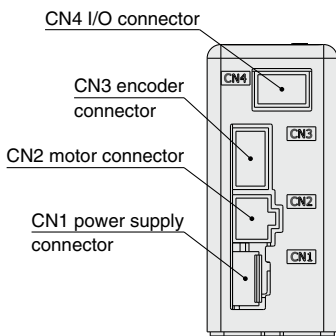
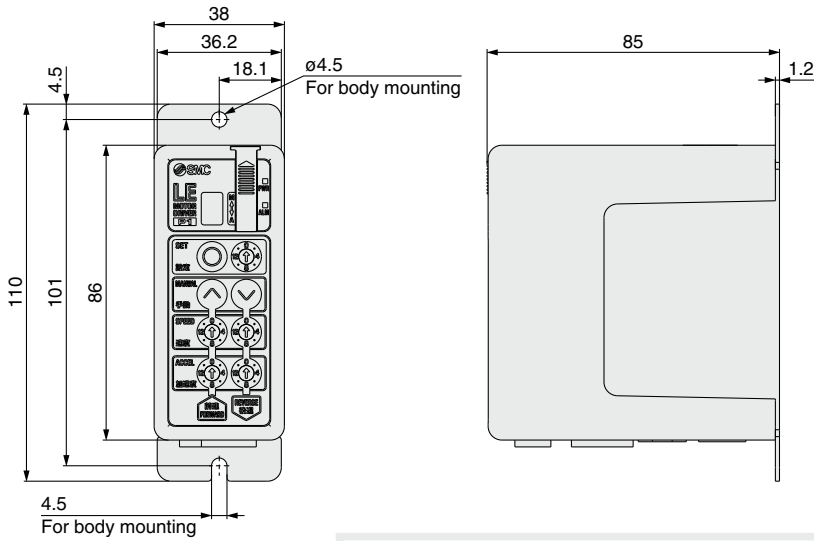
LECY□

Specific Product Precautions

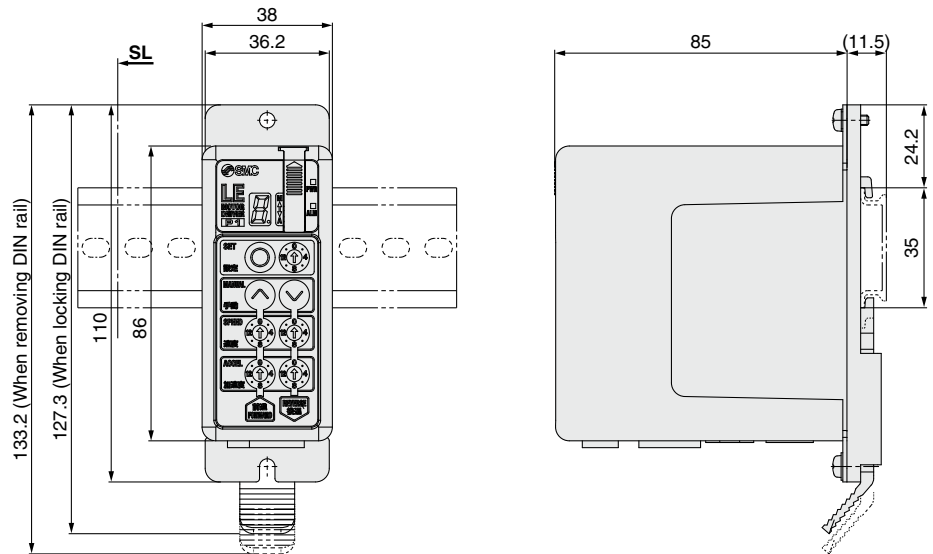
LECP1 Series

Dimensions

Screw mounting (LECP1□□-□)

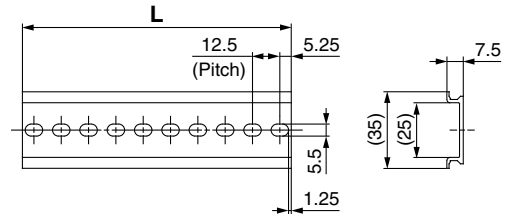


DIN rail mounting (LECP1□□D-□)



DIN rail AXT100-DR-□

* For □, enter a number from the No. line in the table below.
Refer to the dimension drawings above for the mounting dimensions.



L Dimensions [mm]

No.	1	2	3	4	5	6	7	8	9	10	11	12	13	14
L	23	35.5	48	60.5	73	85.5	98	110.5	123	135.5	148	160.5	173	185.5
No.	15	16	17	18	19	20	21	22	23	24	25	26	27	28
L	198	210.5	223	235.5	248	260.5	273	285.5	298	310.5	323	335.5	348	360.5
No.	29	30	31	32	33	34	35	36	37	38	39	40		
L	373	385.5	398	410.5	423	435.5	448	460.5	473	485.5	498	510.5		

DIN rail mounting adapter LEC-1-D0 (with 2 mounting screws)

This should be used when the DIN rail mounting adapter is mounted onto a screw mounting type controller afterward.

Wiring Example 1

Power Supply Connector: CN1 * When you connect a CN1 power supply connector, use the power supply cable (LEC-CK1-1).
 * The power supply cable (LEC-CK1-1) is an accessory.

CN1 Power Supply Connector Terminal for LECP1

Terminal name	Cable color	Function	Details
0V	Blue	Common supply (-)	The M24V terminal, C24V terminal, and BK RLS terminal are common (-).
M24V	White	Motor power supply (+)	Motor power supply (+) supplied to the controller
C24V	Brown	Control power supply (+)	Control power supply (+) supplied to the controller
BK RLS	Black	Lock release (+)	Input (+) for releasing the lock

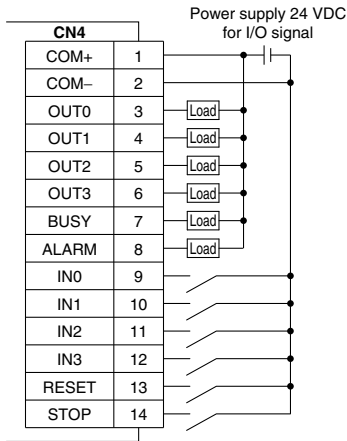
Power supply cable for LECP1 (LEC-CK1-1)



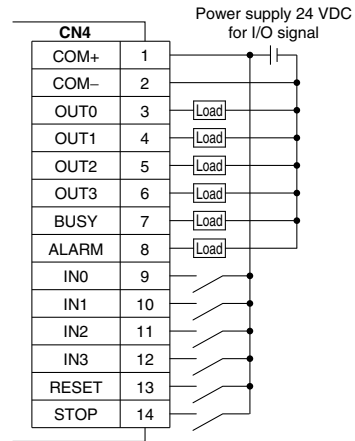
Wiring Example 2

Parallel I/O Connector: CN4 * When you connect a PLC to the CN4 parallel I/O connector, use the I/O cable (LEC-CK4-□).
 * The wiring changes depending on the type of parallel I/O (NPN or PNP).

■NPN



■PNP



Input Signal

Name	Details								
COM+	Connects the power supply 24 V for input/output signal								
COM-	Connects the power supply 0 V for input/output signal								
IN0 to IN3	<ul style="list-style-type: none"> Instruction to drive (input as a combination of IN0 to IN3) Instruction to return to origin (IN0 to IN3 all ON simultaneously) Example - (instruction to drive for position no. 5) <table border="1" style="margin-left: 20px;"> <tr> <td>IN3</td> <td>IN2</td> <td>IN1</td> <td>IN0</td> </tr> <tr> <td>OFF</td> <td>ON</td> <td>OFF</td> <td>ON</td> </tr> </table>	IN3	IN2	IN1	IN0	OFF	ON	OFF	ON
IN3	IN2	IN1	IN0						
OFF	ON	OFF	ON						
RESET	Alarm reset and operation interruption During operation: deceleration stop from position at which signal is input (servo ON maintained) While alarm is generated: alarm reset								
STOP	Instruction to stop (after max. deceleration stop, servo OFF)								

Input Signal [IN0 - IN3] Position Number Chart ○: OFF ●: ON

Position number	IN3	IN2	IN1	IN0
1	○	○	○	●
2	○	○	●	○
3	○	○	●	●
4	○	●	○	○
5	○	●	○	●
6	○	●	○	○
7	○	●	●	●
8	●	○	○	○
9	●	○	○	●
10 (A)	●	○	●	○
11 (B)	●	○	●	●
12 (C)	●	●	○	○
13 (D)	●	●	○	●
14 (E)	●	●	●	○
Return to origin	●	●	●	●

Output Signal

Name	Details								
OUT0 to OUT3	Turns ON when the positioning or pushing is completed. (Output is instructed in the combination of OUT0 to 3.) Example - (operation complete for position no. 3) <table border="1" style="margin-left: 20px;"> <tr> <td>OUT3</td> <td>OUT2</td> <td>OUT1</td> <td>OUT0</td> </tr> <tr> <td>OFF</td> <td>OFF</td> <td>ON</td> <td>ON</td> </tr> </table>	OUT3	OUT2	OUT1	OUT0	OFF	OFF	ON	ON
OUT3	OUT2	OUT1	OUT0						
OFF	OFF	ON	ON						
BUSY	Outputs when the actuator is moving								
*1 ALARM*1	OFF when alarm is generated or servo OFF								

*1 Negative-logic (N.C.) circuit signal

Output Signal [OUT0 - OUT3] Position Number Chart ○: OFF ●: ON

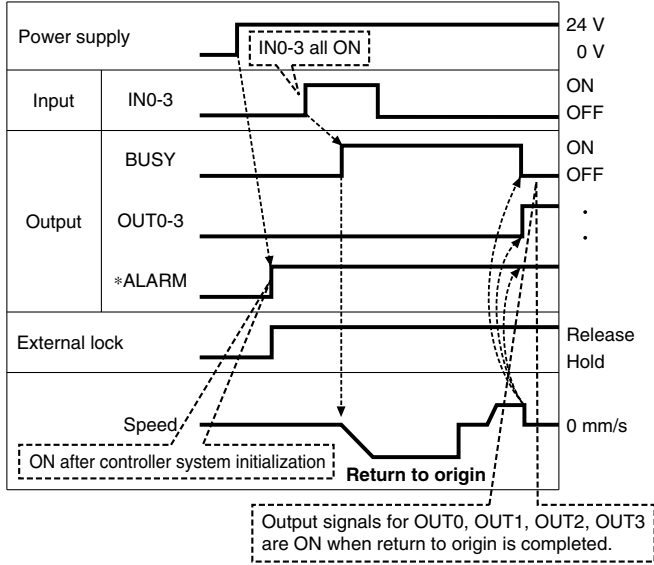
Position number	OUT3	OUT2	OUT1	OUT0
1	○	○	○	●
2	○	○	●	○
3	○	○	●	●
4	○	●	○	○
5	○	●	○	●
6	○	●	○	○
7	○	●	●	●
8	●	○	○	○
9	●	○	○	●
10 (A)	●	○	●	○
11 (B)	●	○	●	●
12 (C)	●	●	○	○
13 (D)	●	●	○	●
14 (E)	●	●	●	○
Return to origin	●	●	●	●

Step Motor (Servo/24 VDC)/Servo Motor (24 VDC) AC Servo Motor Environment

LECP1 Series

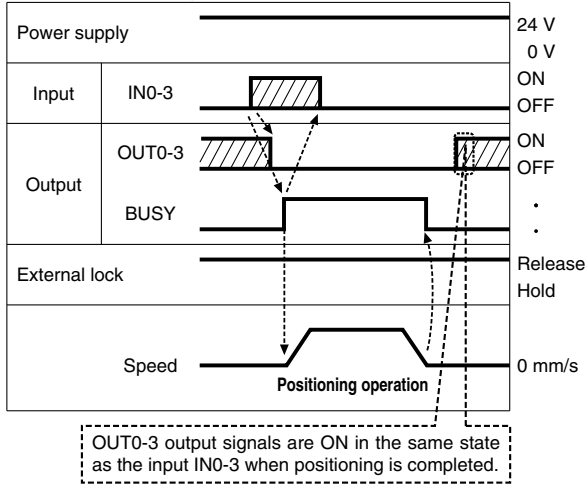
Signal Timing

(1) Return to Origin

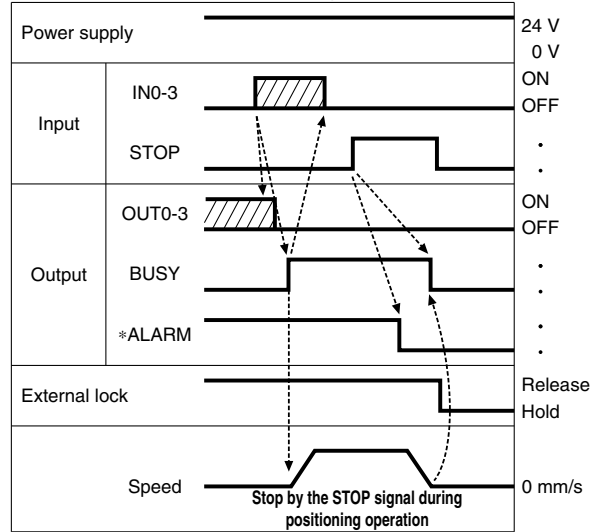


* *ALARM" is expressed as a negative-logic circuit.

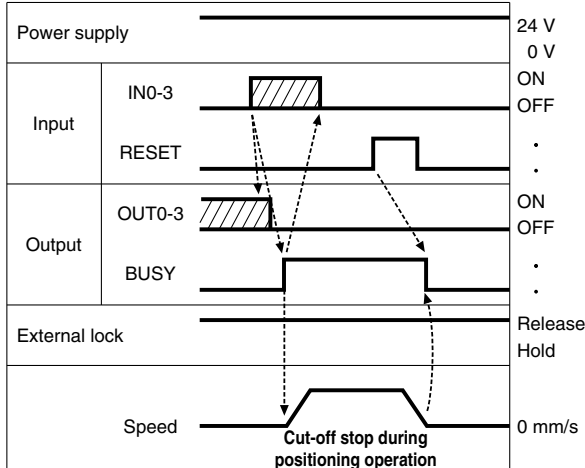
(2) Positioning Operation



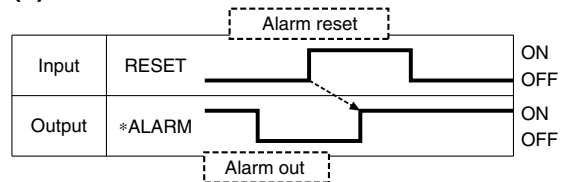
(4) Stop by the STOP Signal



(3) Cut-off Stop (Reset Stop)



(5) Alarm Reset

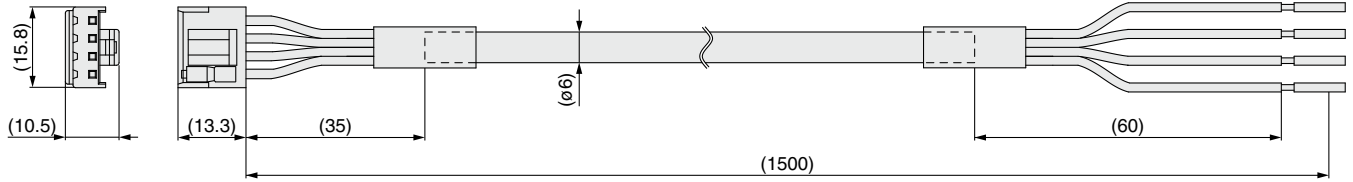


* *ALARM" is expressed as a negative-logic circuit.

Options

[Power supply cable]

LEC-CK1-1



Terminal name	Covered color	Function
0V	Blue	Common supply (-)
M24V	White	Motor power supply (+)
C24V	Brown	Control power supply (+)
BK RLS	Black	Lock release (+)

* Conductor size: AWG20

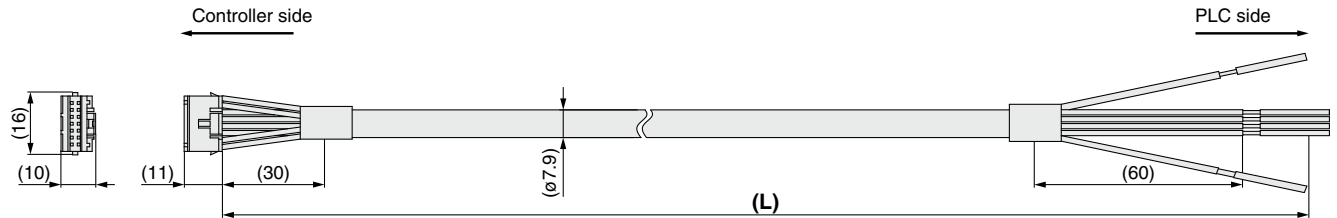
Weight: 90 g

[I/O cable]

LEC-CK4-

Cable length (L) [m]

1	1.5
3	3
5	5



Terminal no.	Insulation color	Dot mark	Dot color	Function
1	Light brown	■	Black	COM+
2	Light brown	■	Red	COM-
3	Yellow	■	Black	OUT0
4	Yellow	■	Red	OUT1
5	Light green	■	Black	OUT2
6	Light green	■	Red	OUT3
7	Gray	■	Black	BUSY
8	Gray	■	Red	ALARM
9	White	■	Black	IN0
10	White	■	Red	IN1
11	Light brown	■ ■	Black	IN2
12	Light brown	■ ■	Red	IN3
13	Yellow	■ ■	Black	RESET
14	Yellow	■ ■	Red	STOP

* Conductor size: AWG26

Weight

Product no.	Weight [g]
LEC-CK4-1	100
LEC-CK4-3	200
LEC-CK4-5	330

* Parallel I/O signal is valid in auto mode. While the test function operates at manual mode, only the output is valid.

Model Selection

Step Motor (Servo/24 VDC)/Servo Motor (24 VDC)
LEYG
LEY

AC Servo Motor
LEYG
LEY

Environment
LEY-X7
LEY-X5
25A-LEY

JXC51/61
LECA6
LEC-G

Step Motor (Servo/24 VDC)/Servo Motor (24 VDC)
LECP1
LECPA

JXC

AC Servo Motor
LECY
LECS

Specific Product Precautions

Step Motor Driver

LECPA Series



* For details, refer to page 307 and onward.



How to Order

⚠ Caution

[CE-compliant products]

① EMC compliance was tested by combining the electric actuator LE series and the LECPA series. The EMC depends on the configuration of the customer's control panel and the relationship with other electrical equipment and wiring. Therefore, compliance with the EMC directive cannot be certified for SMC components incorporated into the customer's equipment under actual operating conditions. As a result, it is necessary for the customer to verify compliance with the EMC directive for the machinery and equipment as a whole.

② For the LECPA series (step motor driver), EMC compliance was tested by installing a noise filter set (LEC-NFA).

Refer to page 240 for the noise filter set. Refer to the LECPA Operation Manual for installation.

[UL-compliant products]

When compliance with UL is required, the electric actuator and driver should be used with a UL1310 Class 2 power supply.

LECP AN 1 □ - LEY16B-100

Driver type

AN	Pulse input type (NPN)
AP	Pulse input type (PNP)

I/O cable length [m]

Nil	None
1	1.5
3	3*1
5	5*1

*1 Pulse input usable only with differential. Only 1.5 m cables usable with open collector.

Driver mounting

Nil	Screw mounting
D*1	DIN rail

*1 The DIN rail is not included. It must be ordered separately.

Actuator part number

Without cable specifications and actuator options
Example: Enter "LEY16B-100"
for the LEY16B-100B-R16N1.

BC Blank controller*1

*1 Requires dedicated software (LEC-BCW)

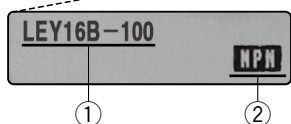
- * When controller equipped type is selected when ordering the LE series, you do not need to order this driver.
- * When pulse signals are open collector, order the current limiting resistor (LEC-PA-R-□) separately.

The driver is sold as single unit after the compatible actuator is set.

Confirm that the combination of the driver and actuator is correct.

<Check the following before use.>

- Check the actuator label for the model number. This number should match that of the driver.
- Check that the Parallel I/O configuration matches (NPN or PNP).



Precautions for blank controllers (LECPA□□-BC)

A blank controller is a controller to which the customer can write the data of the actuator it is to be combined and used with. Use the dedicated software (LEC-BCW) for data writing.

- Please download the dedicated software (LEC-BCW) via our website.
- Order the communication cable for controller setting (LEC-W2A-C) separately to use this software.

SMC website:
<https://www.smcworld.com>

* Refer to the operation manual for using the products. Please download it via our website:
<https://www.smcworld.com>

Specifications

Item	LECPA
Compatible motor	Step motor (Servo/24 VDC)
Power supply*1	Power voltage: 24 VDC ±10%*2 [Including motor drive power, control power, stop, lock release]
Parallel input	5 inputs (Except photo-coupler isolation, pulse input terminal, COM terminal)
Parallel output	9 outputs (Photo-coupler isolation)
Pulse signal input	Max. frequency: 60 kpps (Open collector), 200 kpps (Differential) Input method: 1 pulse mode (Pulse input in direction), 2 pulse mode (Pulse input in differing directions)
Compatible encoder	Incremental A/B phase (Encoder resolution: 800 pulse/rotation)
Serial communication	RS485 (Modbus protocol compliant)
Memory	EEPROM
LED indicator	LED (Green/Red) one of each
Lock control	Forced-lock release terminal*3
Cable length [m]	I/O cable: 1.5 or less (Open collector), 5 or less (Differential), Actuator cable: 20 or less
Cooling system	Natural air cooling
Operating temperature range [°C]	0 to 40 (No freezing)
Operating humidity range [%RH]	90 or less (No condensation)
Storage temperature range [°C]	-10 to 60 (No freezing)
Storage humidity range [%RH]	90 or less (No condensation)
Insulation resistance [MΩ]	Between the housing and SG terminal: 50 (500 VDC)
Weight [g]	120 (Screw mounting), 140 (DIN rail mounting)

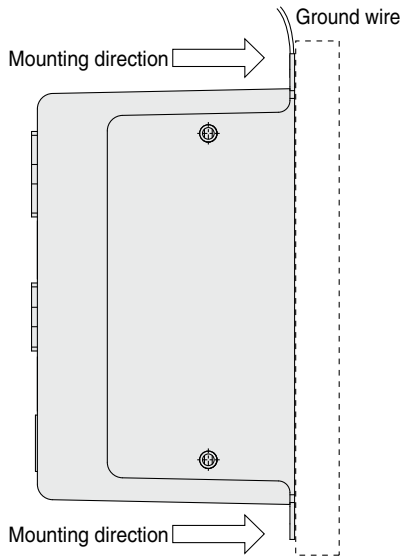
*1 Do not use the power supply of "inrush current prevention type" for the driver power supply. When compliance with UL is required, the electric actuator and driver should be used with a UL1310 Class 2 power supply.

*2 The power consumption changes depending on the actuator model. Refer to the specifications of actuator for more details.

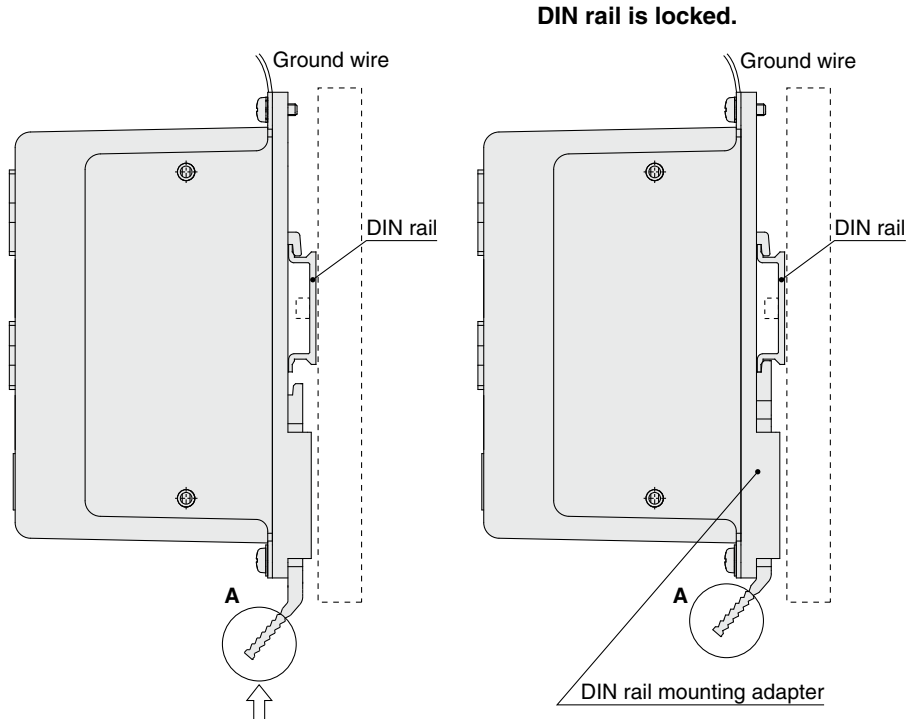
*3 Applicable to non-magnetizing locks

How to Mount

a) Screw mounting (LECPA□□-□)
(Installation with two M4 screws)



b) DIN rail mounting (LECPA□□D-□)
(Installation with the DIN rail)

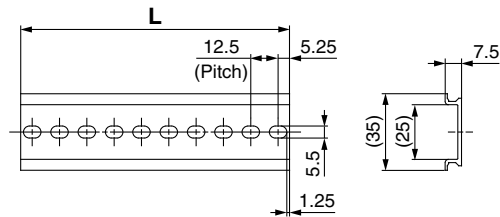


Hook the driver on the DIN rail and press the lever of section A in the arrow direction to lock it.

* The space between the drivers should be 10 mm or more.

DIN rail AXT100-DR-□

* For □, enter a number from the No. line in the table below.
Refer to the dimension drawings on page 237 for the mounting dimensions.



L Dimensions [mm]

No.	1	2	3	4	5	6	7	8	9	10	11	12	13	14	15	16	17	18	19	20
L	23	35.5	48	60.5	73	85.5	98	110.5	123	135.5	148	160.5	173	185.5	198	210.5	223	235.5	248	260.5
No.	21	22	23	24	25	26	27	28	29	30	31	32	33	34	35	36	37	38	39	40
L	273	285.5	298	310.5	323	335.5	348	360.5	373	385.5	398	410.5	423	435.5	448	460.5	473	485.5	498	510.5

DIN rail mounting adapter LEC-2-D0 (with 2 mounting screws)

This should be used when the DIN rail mounting adapter is mounted onto a screw mounting type driver afterward.

Model Selection

Step Motor (Servo/24 VDC)/Servo Motor (24 VDC)

LEY

LEYG

AC Servo Motor

LEY

LEYG

Environment

LEY-X7

LEY-X5

25A-LEY

Step Motor (Servo/24 VDC)/Servo Motor (24 VDC)

JXC51/61

LECA6

LEC-G

Step Motor (Servo/24 VDC)/Servo Motor (24 VDC)

LECP1

LECPA

AC Servo Motor

JXC□

LECS□

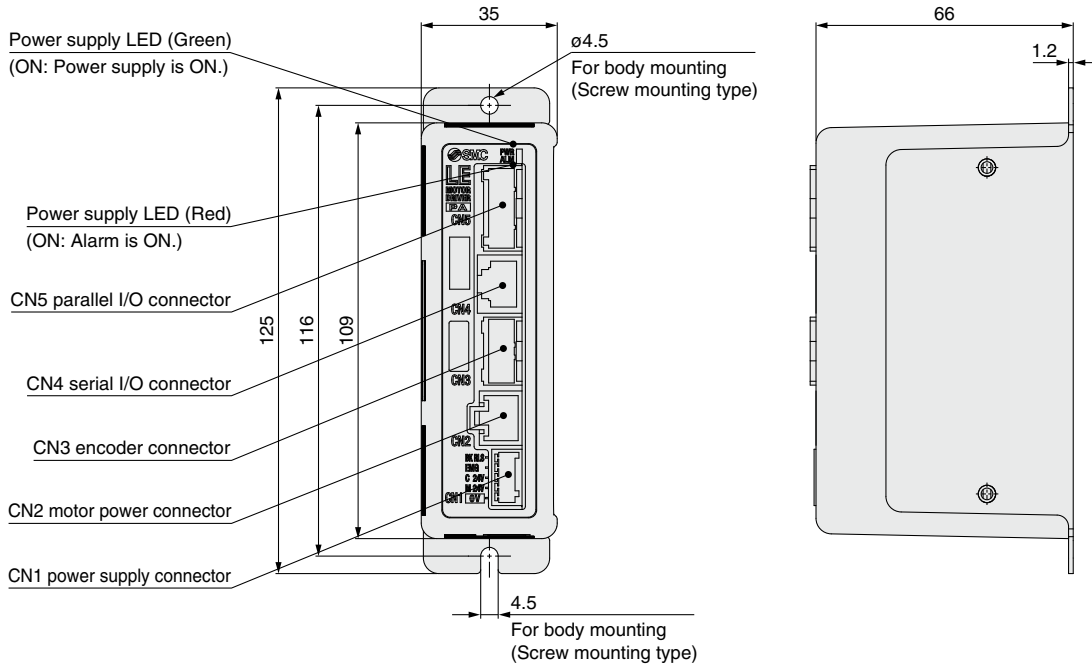
LECY□

Specific Product Precautions

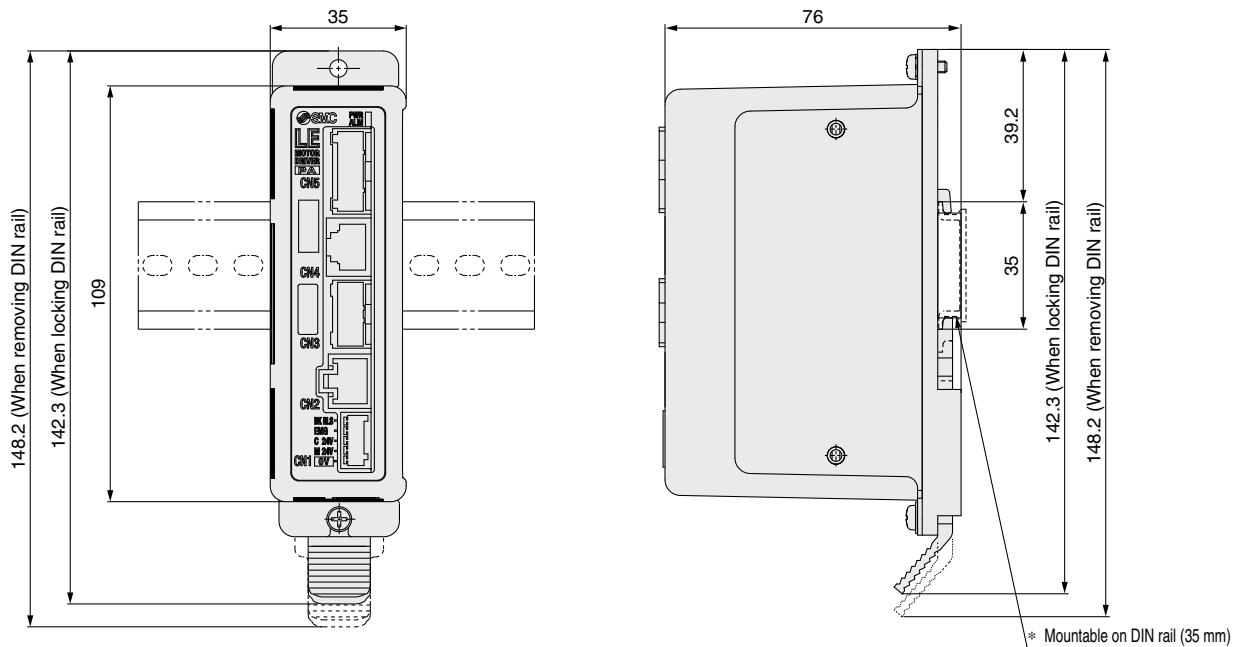
LECPA Series

Dimensions

a) Screw mounting (LECPA□□-□)



b) DIN rail mounting (LECPA□□D-□)



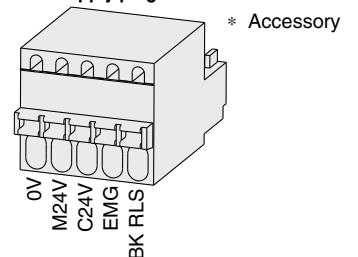
Wiring Example 1

Power Supply Connector: CN1 * The power supply plug is an accessory.
 <Applicable cable size> AWG20 (0.5 mm²), cover diameter 2.0 mm or less

CN1 Power Supply Connector Terminal for LECPA (PHOENIX CONTACT FK-MC0.5/5-ST-2.5)

Terminal name	Function	Details
0V	Common supply (-)	The M24V terminal, C24V terminal, EMG terminal, and BK RLS terminal are common (-).
M24V	Motor power supply (+)	Motor power supply (+) supplied to the driver
C24V	Control power supply (+)	Control power supply (+) supplied to the driver
EMG	Stop (+)	Input (+) for releasing the stop
BK RLS	Lock release (+)	Input (+) for releasing the lock

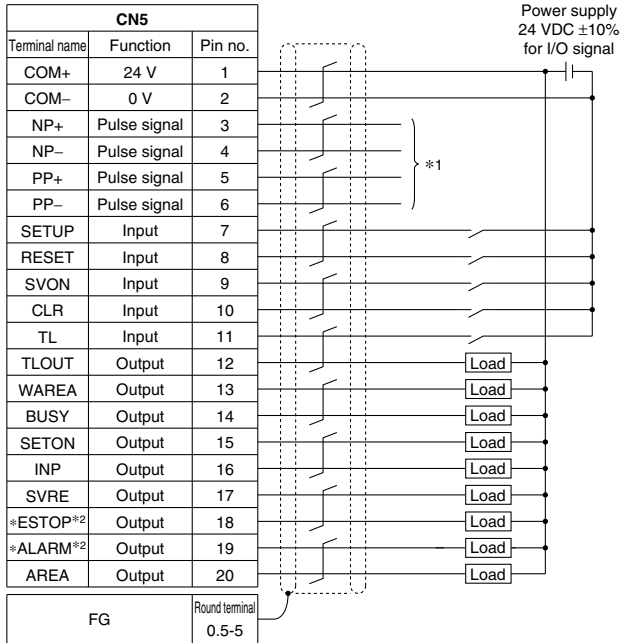
Power supply plug for LECPA: LEC-D-1-1



Wiring Example 2

Parallel I/O Connector: CN5 * When you connect a PLC to the CN5 parallel I/O connector, use the I/O cable (LEC-CL5-□).
 * The wiring changes depending on the type of parallel I/O (NPN or PNP).

LECPAN□□-□ (NPN)

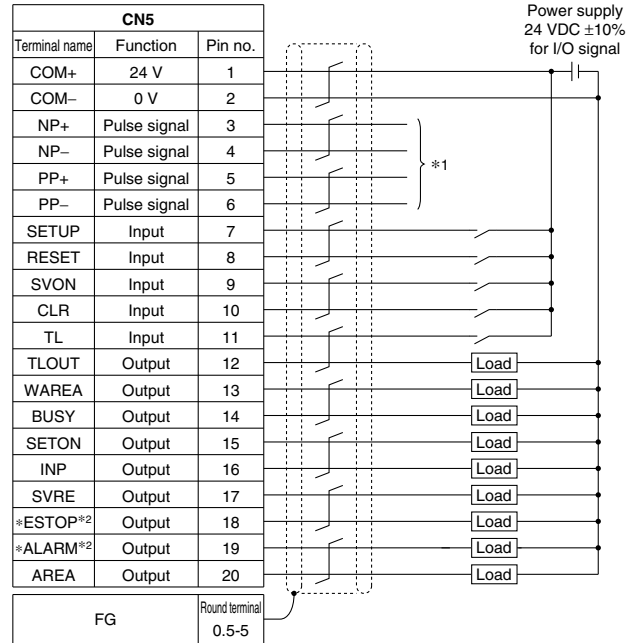


*1 For pulse signal wiring method, refer to the "Pulse Signal Wiring Details."
 *2 Output when the power supply of the driver is ON. (N.C.)

Input Signal

Name	Details
COM+	Connects the power supply 24 V for input/output signal
COM-	Connects the power supply 0 V for input/output signal
SETUP	Instruction to return to origin
RESET	Alarm reset
SVON	Servo ON instruction
CLR	Deviation reset
TL	Instruction to pushing operation

LECPAP□□-□ (PNP)



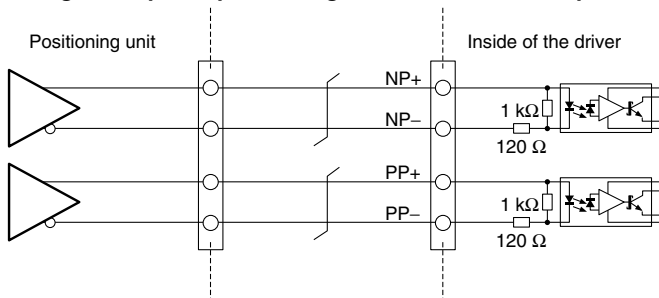
Output Signal

Name	Details
BUSY	Outputs when the actuator is moving
SETON	Outputs when returning to origin
INP	Outputs when target position is reached
SVRE	Outputs when servo is ON
ESTOP ³	OFF when EMG stop is instructed
ALARM ³	OFF when alarm is generated
AREA	Outputs within the area output setting range
WAREA	Outputs within W-AREA output setting range
TLOUT	Outputs during pushing operation

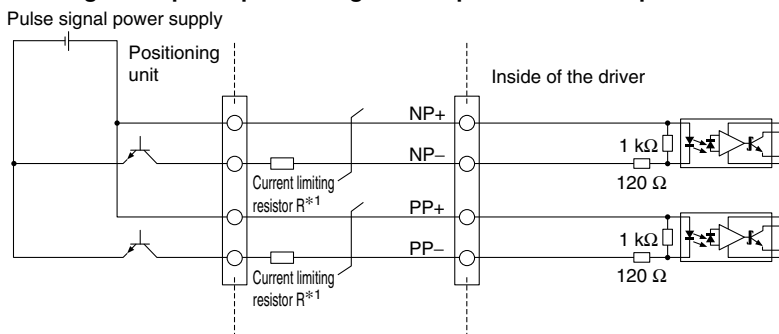
*3 Negative-logic (N.C.) circuit signal

Pulse Signal Wiring Details

• Pulse signal output of positioning unit is differential output



• Pulse signal output of positioning unit is open collector output

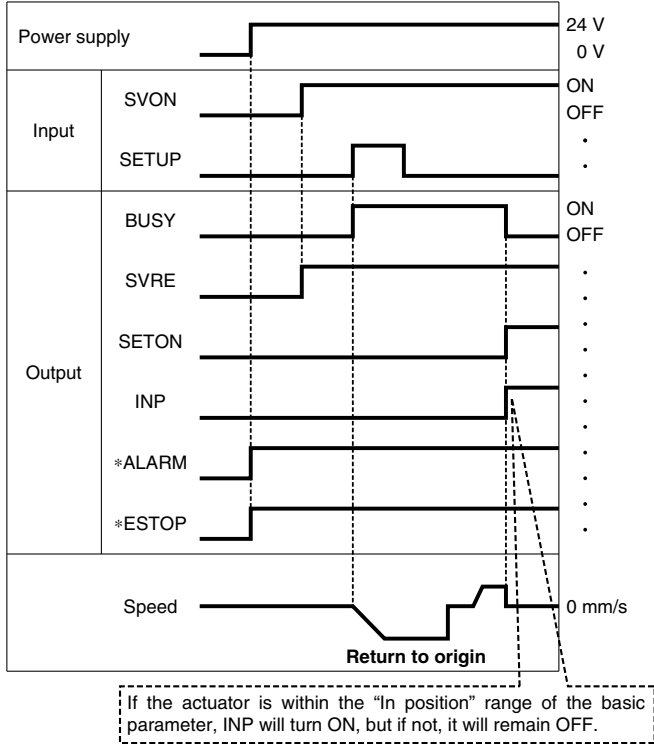


*1 Connect the current limiting resistor R in series to correspond to the pulse signal voltage.

Pulse signal power supply voltage	Current limiting resistor R specifications	Current limiting resistor part no.
24 VDC ±10%	3.3 kΩ ±5% (0.5 W or more)	LEC-PA-R-332
5 VDC ±5%	390 Ω ±5% (0.1 W or more)	LEC-PA-R-391

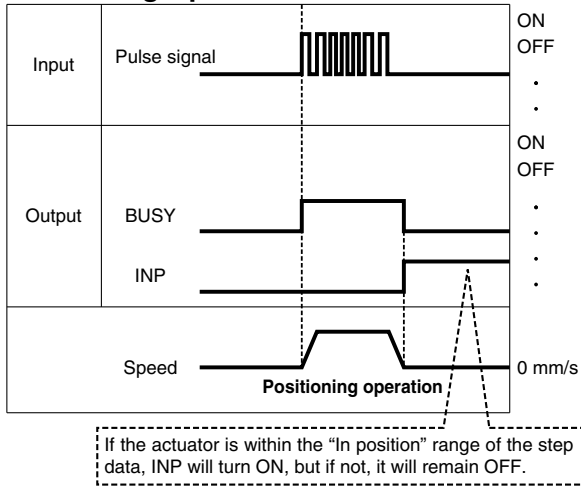
Signal Timing

Return to Origin

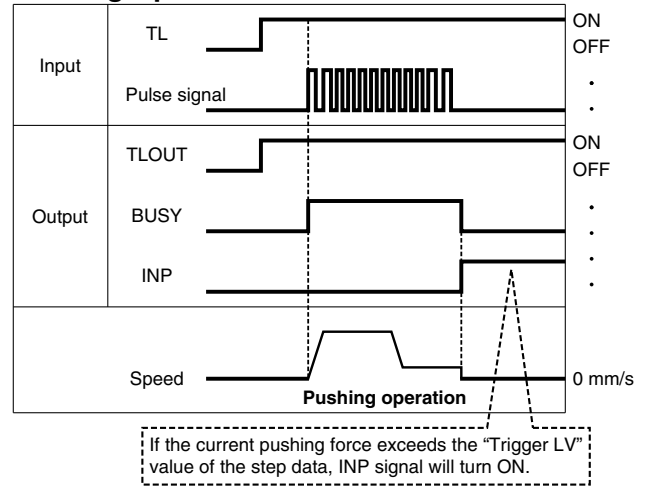


* *ALARM* and *ESTOP* are expressed as negative-logic circuits.

Positioning Operation

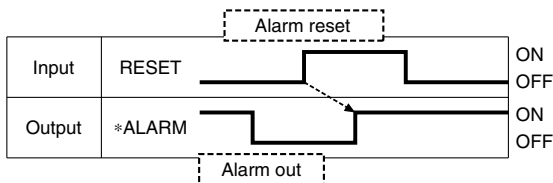


Pushing Operation



* If pushing operation is stopped when there is no pulse deviation, the moving part of the actuator may pulsate.

Alarm Reset



* *ALARM* is expressed as a negative-logic circuit.

Options

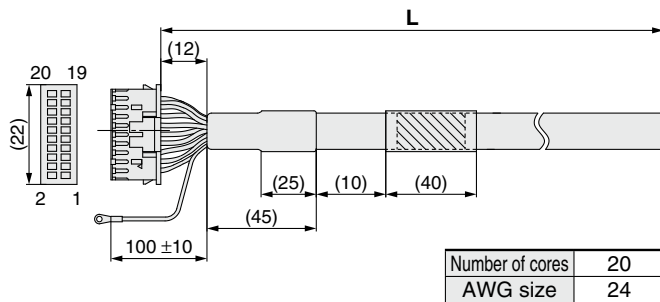
[I/O cable]

LEC-C L5 - 1

I/O cable type	
L5	For LECPA

I/O cable length (L)	
1	1.5 m
3	3 m*1
5	5 m*1

*1 Pulse input usable only with differential. Only 1.5 m cables usable with open collector



Pin no.	Insulation color	Dot mark	Dot color
1	Light brown	■	Black
2	Light brown	■	Red
3	Yellow	■	Black
4	Yellow	■	Red
5	Light green	■	Black
6	Light green	■	Red
7	Gray	■	Black
8	Gray	■	Red
9	White	■	Black
10	White	■	Red
11	Light brown	■	Black

Pin no.	Insulation color	Dot mark	Dot color
12	Light brown	■	Red
13	Yellow	■	Black
14	Yellow	■	Red
15	Light green	■	Black
16	Light green	■	Red
17	Gray	■	Black
18	Gray	■	Red
19	White	■	Black
20	White	■	Red

Round terminal 0.5-5	Green
-------------------------	-------

Weight

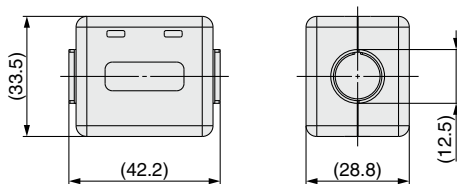
Product no.	Weight [g]
LEC-CL5-1	190
LEC-CL5-3	370
LEC-CL5-5	610

[Noise filter set]

Step Motor Driver (Pulse Input Type)

LEC-NFA

Contents of the set: 2 noise filters
(Manufactured by WURTH ELEKTRONIK: 74271222)



* Refer to the LECPA series Operation Manual for installation.

[Current limiting resistor]

This optional resistor (LEC-PA-R-□) is used when the pulse signal output of the positioning unit is open collector output.

LEC-PA-R-□

Current limiting resistor

Symbol	Resistance	Pulse signal power supply voltage
332	3.3 kΩ ±5%	24 VDC ±10%
391	390 Ω ±5%	5 VDC ±5%

- * Select a current limiting resistor that corresponds to the pulse signal power supply voltage.
- * For the LEC-PA-R-□, two pieces are shipped as a set.
- * For pulse signal wiring details, refer to page 238.

Model Selection

Step Motor (Servo/24 VDC)/Servo Motor (24 VDC)

AC Servo Motor

Environment

Step Motor (Servo/24 VDC)/Servo Motor (24 VDC)

Environment

Step Motor (Servo/24 VDC)/Servo Motor (24 VDC)

Step Motor (Servo/24 VDC)/Servo Motor (24 VDC)

Step Motor (Servo/24 VDC)/Servo Motor (24 VDC)

Step Motor (Servo/24 VDC)/Servo Motor (24 VDC)

Step Motor (Servo/24 VDC)/Servo Motor (24 VDC)

Step Motor (Servo/24 VDC)/Servo Motor (24 VDC)

Step Motor (Servo/24 VDC)/Servo Motor (24 VDC)

Step Motor (Servo/24 VDC)/Servo Motor (24 VDC)

Specific Product Precautions

Step Motor Controller

JXCE1/91/P1/D1/L1/M1 Series



* For details, refer to page 307 and onward.

How to Order

JXC **D** 1 **7** **T** -

Communication protocol

E	EtherCAT®
9	EtherNet/IP™
P	PROFINET
D	DeviceNet™
L	IO-Link
M	CC-Link

For single axis

Mounting

7	Screw mounting
8 *1	DIN rail

*1 The DIN rail is not included. It must be ordered separately. (Refer to page 245.)

Option

Nil	Without option
S	With straight type communication plug
T	With T-branch type communication plug

* Select "Nil" for anything other than JXCD1 and JXCM1.

Actuator part number

Without cable specifications and actuator options
Example: Enter "LEY16B-100"
for the LEY16B-100B-S1□□.

BC Blank controller*1

*1 Requires dedicated software (JXC-BCW)

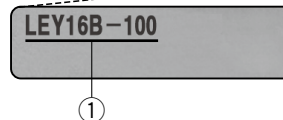


EtherCAT → EtherNet/IP PROFINET DeviceNet IO-Link CC-Link

The controller is sold as single unit after the compatible actuator is set.

Confirm that the combination of the controller and actuator is correct.

- ① Check the actuator label for the model number. This number should match that of the controller.



* Refer to the operation manual for using the products. Please download it via our website: <https://www.smcworld.com>

Precautions for blank controllers (JXC□1□□-BC)

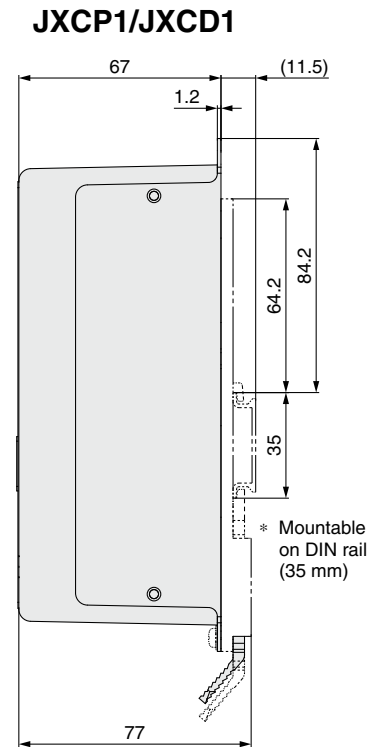
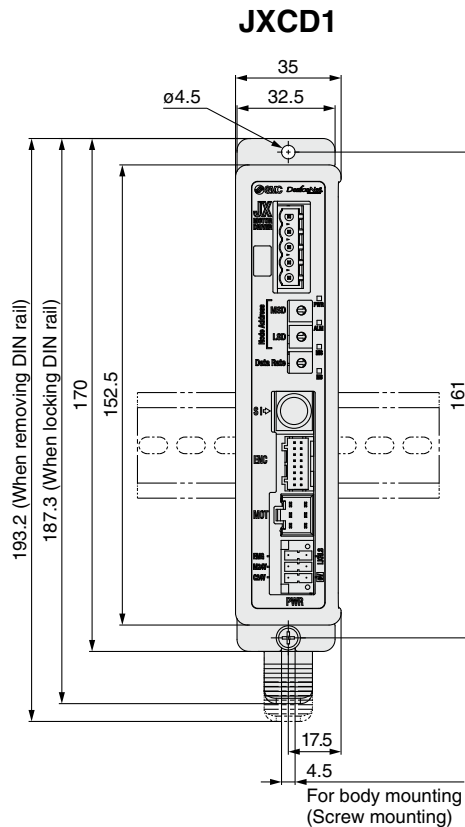
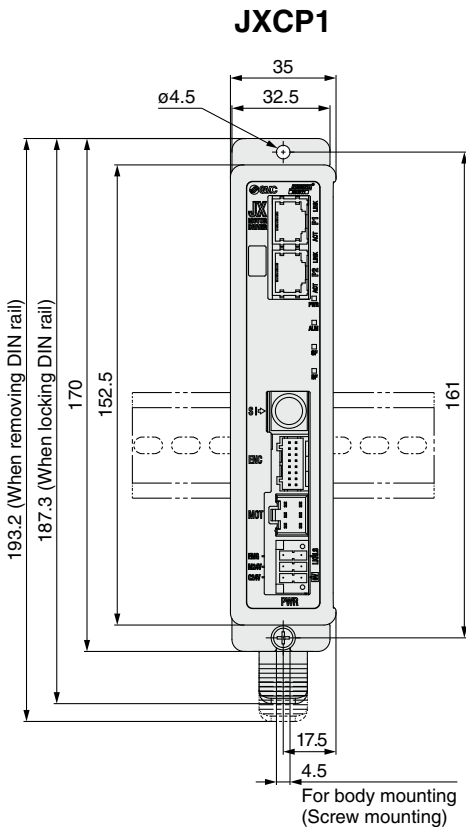
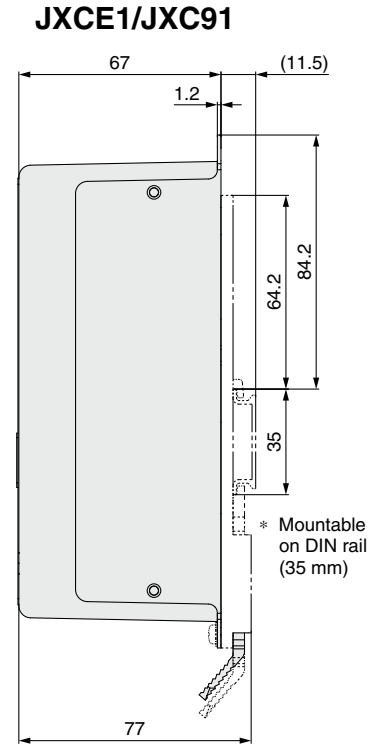
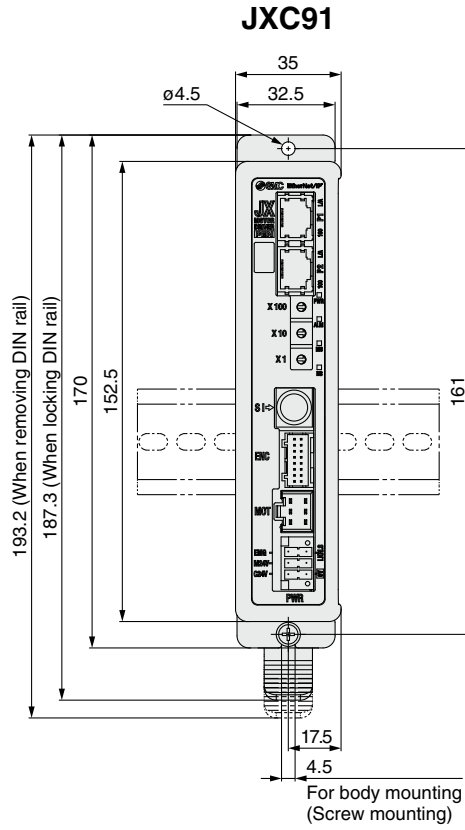
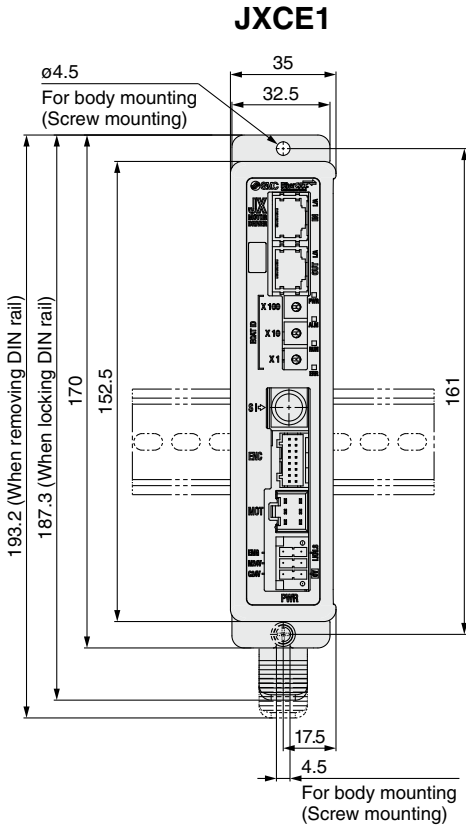
A blank controller is a controller to which the customer can write the data of the actuator it is to be combined and used with. Use the dedicated software (JXC-BCW) for data writing.

- Please download the dedicated software (JXC-BCW) via our website.
- Order the communication cable for controller setting (JXC-W2A-C) and USB cable (LEC-W2-U) separately to use this software.

SMC website: <https://www.smcworld.com>

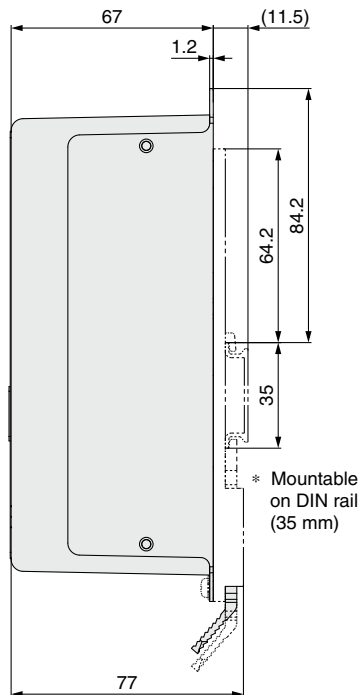
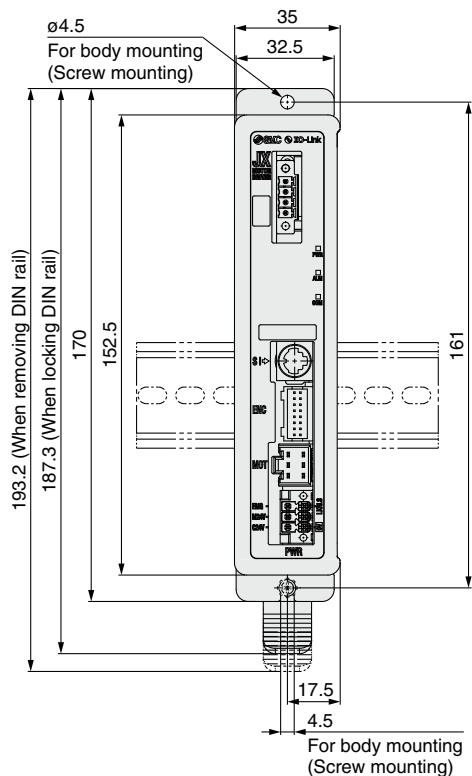
JXCE1/91/P1/D1/L1/M1 Series

Dimensions

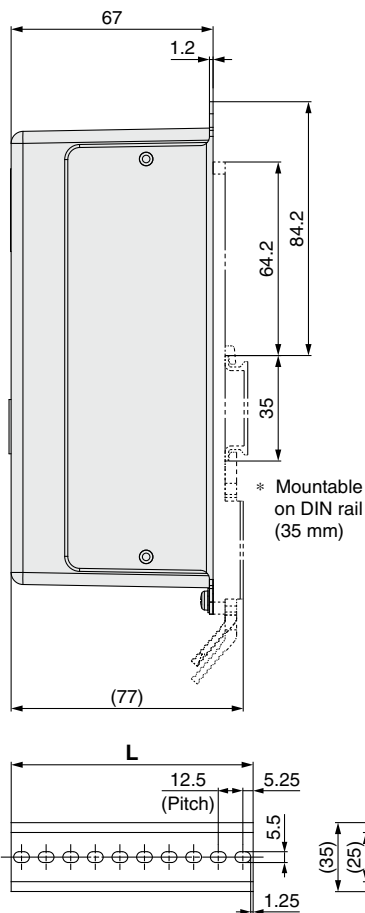
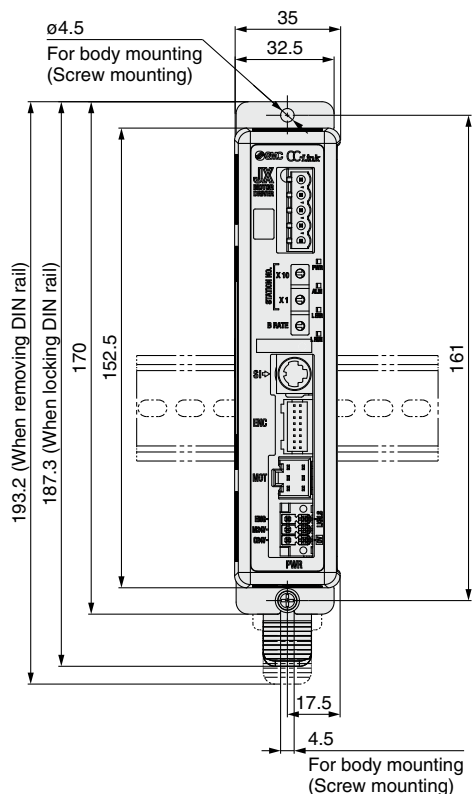


Dimensions

JXCL1



JXCM1



L Dimensions [mm]

No.	1	2	3	4	5	6	7	8	9	10	11	12	13	14	15	16	17	18	19	20
L	23	35.5	48	60.5	73	85.5	98	110.5	123	135.5	148	160.5	173	185.5	198	210.5	223	235.5	248	260.5
No.	21	22	23	24	25	26	27	28	29	30	31	32	33	34	35	36	37	38	39	40
L	273	285.5	298	310.5	323	335.5	348	360.5	373	385.5	398	410.5	423	435.5	448	460.5	473	485.5	498	510.5

Model Selection

Step Motor (Servo/24 VDC)/Servo Motor (24 VDC)

AC Servo Motor

Environment

Step Motor (Servo/24 VDC)/Servo Motor (24 VDC)

AC Servo Motor

Specific Product Precautions

LEYG

LEY

LEYG

LEY

LEY-X7

LEY-X5

25A-LEY

JXC51/61

LECA6

LEC-G

LECP1

LECPA

JXC

LECS

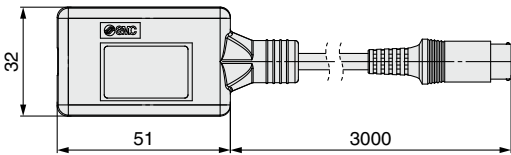
LECY

JXCE1/91/P1/D1/L1/M1 Series

Options

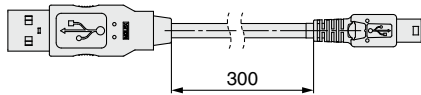
■ Communication cable for controller setting

① Communication cable JXC-W2A-C



* It can be connected to the controller directly.

② USB cable LEC-W2-U



③ Controller setting kit JXC-W2A

A set which includes a communication cable (JXC-W2A-C) and a USB cable (LEC-W2-U)

<Controller setting software/USB driver>

- Controller setting software
- USB driver (For JXC-W2A-C)

Download from SMC's website: <https://www.smcworld.com>

Hardware Requirements

OS	Windows®7, Windows®8.1, Windows®10
Communication interface	USB 1.1 or USB 2.0 ports
Display	1024 x 768 or more

* Windows®7, Windows®8.1 and Windows®10 are registered trademarks of Microsoft Corporation in the United States.

■ DIN rail mounting adapter LEC-3-D0

* With 2 mounting screws

This should be used when the DIN rail mounting adapter is mounted onto a screw mounting type controller afterward.

■ DIN rail AXT100-DR-□

* For □, enter a number from the No. line in the table on page 244. Refer to the dimension drawings on pages 243 and 244 for the mounting dimensions.

■ Teaching box

LEC-T1-3JG□

Teaching box

Cable length [m]

3	3
---	---

Initial language

J	Japanese
E	English

Enable switch (Option)

None	None
S	Equipped with enable switch

* Interlock switch for jog and test function

Stop switch

G	Equipped with stop switch
---	---------------------------

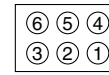
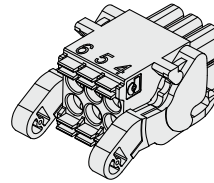
Specifications

Item	Description
Switch	Stop switch, Enable switch (Option)
Cable length [m]	3
Enclosure	IP64 (Except connector)
Operating temperature range [°C]	5 to 50
Operating humidity range [%RH]	90 or less (No condensation)
Weight [g]	350 (Except cable)

245

■ Power supply plug JXC-CPW

* The power supply plug is an accessory.



- | | |
|--------|----------|
| ① C24V | ④ 0V |
| ② M24V | ⑤ N.C. |
| ③ EMG | ⑥ LK RLS |

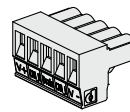
Power supply plug

Terminal name	Function	Details
0V	Common supply (-)	The M24V terminal, C24V terminal, EMG terminal, and LK RLS terminal are common (-).
M24V	Motor power supply (+)	Motor power supply (+) of the controller
C24V	Control power supply (+)	Control power supply (+) of the controller
EMG	Stop (+)	Connection terminal of the external stop circuit
LK RLS	Lock release (+)	Connection terminal of the lock release switch

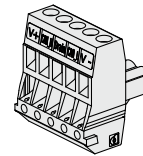
■ Communication plug connector

For DeviceNet™

Straight type JXC-CD-S



T-branch type JXC-CD-T

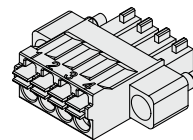


Communication plug connector for DeviceNet™

Terminal name	Details
V+	Power supply (+) for DeviceNet™
CAN_H	Communication wire (High)
Drain	Grounding wire/Shielded wire
CAN_L	Communication wire (Low)
V-	Power supply (-) for DeviceNet™

For IO-Link

Straight type JXC-CL-S



* The communication plug connector for IO-Link is an accessory.

Communication plug connector for IO-Link

Terminal no.	Terminal name	Details
1	L+	+24 V
2	NC	N/A
3	L-	0 V
4	C/Q	IO-Link signal

For CC-Link

Straight type LEC-CMJ-S



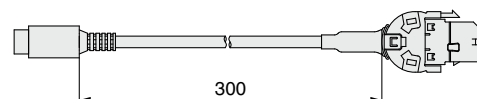
T-branch type LEC-CMJ-T



Communication plug connector for CC-Link

Terminal name	Details
DA	CC-Link communication line A
DB	CC-Link communication line B
DG	CC-Link ground line
SLD	CC-Link shield
FG	Frame ground

■ Conversion cable P5062-5 (Cable length: 300 mm)



* To connect the teaching box (LEC-T1-3□G□) or controller setting kit (LEC-W2□) to the controller, a conversion cable is required.

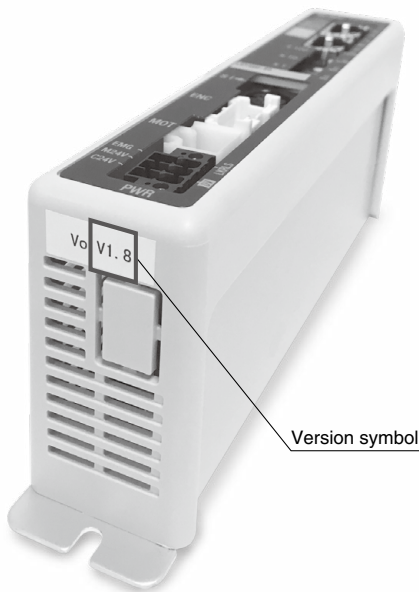


JXC51/61/E1/91/P1/D1/L1/M1 Series Precautions Relating to Differences in Controller Versions

As the controller version of the JXC series differs, the internal parameters are not compatible.

- If using the JXC□1□-BC or JXC□1□-BC-E, please use the latest version of the JXC-BCW (parameter writing tool).
- There are currently 3 versions available: version 1 products (V1.□ or S1.□), version 2 products (V2.□ or S2.□), and version 3 products (V3.□ or S3.□). Keep in mind that in order to write a backup file (.bkp) to another controller with the JXC-BCW, it needs to be the same version as the controller that created the file. (For example, a backup file created by a version 1 product can only be written to another version 1 product, and so on.) A backup file for the electric actuator with battery-less absolute encoder can only be written between version 3.4 or higher product (the backup file of version 2 or earlier products cannot be written).

Identifying Version Symbols



JXC□1 Series Version V3.□ or S3.□ Products

XR V3.0

Applicable models

JXC91□ Series

XR S3.0 T1.0

Applicable models

JXC51/61□ Series
JXCE1□ Series
JXCP1□ Series
JXCD1□ Series
JXCL1□ Series
JXCM1□ Series

JXC□1 Series Version V2.□ or S2.□ Products

WP V2.1

Applicable models

JXC91□ Series

WP S2.2 T1.1

Applicable models

JXCE1□ Series
JXCP1□ Series
JXCD1□ Series
JXCL1□ Series

JXC□1 Series Version V1.□ or S1.□ Products

XR V1.0

Applicable models

JXC91□ Series

XR S1.0 T1.0

Applicable models

JXCE1□ Series
JXCP1□ Series
JXCD1□ Series
JXCL1□ Series

■ Trademark

EtherNet/IP™ is a trademark of ODVA.

DeviceNet™ is a trademark of ODVA.

EtherCAT® is registered trademark and patented technology, licensed by Beckhoff Automation GmbH, Germany.

Model Selection

Step Motor (Servo/24 VDC)/Servo Motor (24 VDC)
LEYG LEY

AC Servo Motor
LEYG LEY

Environment
LEY-X5 LEY-X7

25A-LEY

JXC51/61

Step Motor (Servo/24 VDC)/Servo Motor (24 VDC)
LECA6 LEC-G

LECP1 LECPA

JXC□

AC Servo Motor
LECY□ LECS□

Specific Product Precautions

3-Axis Step Motor Controller (EtherNet/IP™ Type)

JXC92 Series



* For details, refer to page 307 and onward.

How to Order

■ EtherNet/IP™ Type (JXC92)

Controller



JXC 9 2 7

EtherNet/IP™ type

3-axis type

Mounting

Symbol	Mounting
7	Screw mounting
8	DIN rail

- * Order the actuator separately, including the actuator cable.
(Example: LEY16B-100B-S1)
- * For the "Speed-Work Load" graph of the actuator, refer to the LECPA section on the model selection page of the actuator to be connected.

Specifications

For the setting of functions and operation methods, refer to the operation manual on the SMC website. (Documents/Download --> Instruction Manuals)

EtherNet/IP™ Type (JXC92)

Item	Specifications	
Number of axes	Max. 3 axes	
Compatible motor	Step motor (Servo/24 VDC)	
Compatible encoder	Incremental	
Power supply*1	Control power supply Power voltage: 24 VDC ±10% Max. current consumption: 500 mA Motor power supply Power voltage: 24 VDC ±10% Max. current consumption: Based on the connected actuator*2	
Communication	Protocol	EtherNet/IP™*3
	Communication speed	10 Mbps/100 Mbps (automatic negotiation)
	Communication method	Full duplex/Half duplex (automatic negotiation)
	Configuration file	EDS file
	Occupied area	Input 16 bytes/Output 16 bytes
	IP address setting range	Manual setting by switches: From 192.168.1.1 to 254, Via DHCP server: Arbitrary address
	Vendor ID	7 h (SMC Corporation)
	Product type	2 Bh (Generic Device)
Product code	DEh	
Serial communication	USB2.0 (Full Speed 12 Mbps)	
Memory	Flash-ROM	
LED indicator	PWR, RUN, USB, ALM, NS, MS, L/A, 100	
Lock control	Forced-lock release terminal*4	
Cable length	Actuator cable: 20 m or less	
Cooling system	Natural air cooling	
Operating temperature range	0°C to 40°C (No freezing)	
Operating humidity range	90% RH or less (No condensation)	
Storage temperature range	-10°C to 60°C (No freezing)	
Storage humidity range	90% RH or less (No condensation)	
Insulation resistance	Between all external terminals and the case: 50 MΩ (500 VDC)	
Weight	600 g (Screw mounting), 650 g (DIN rail mounting)	

*1 Do not use a power supply with inrush current protection for the motor drive power supply.

*2 Power consumption depends on the actuator connected. Refer to the actuator specifications for further details.

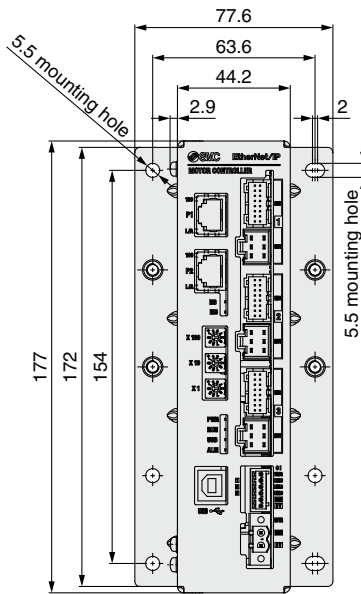
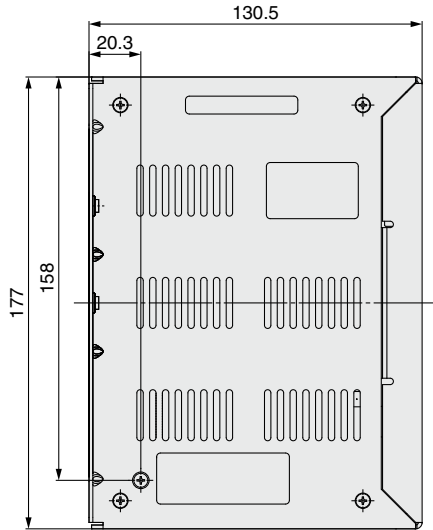
*3 EtherNet/IP™ is a trademark of ODVA.

*4 Applicable to non-magnetizing locks

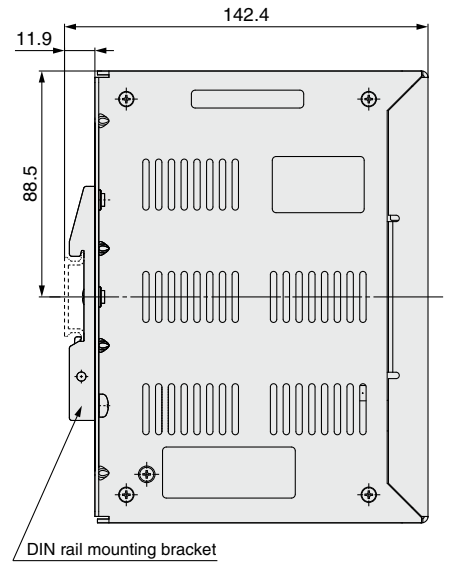
Dimensions

EtherNet/IP™ Type JXC92

Screw mounting

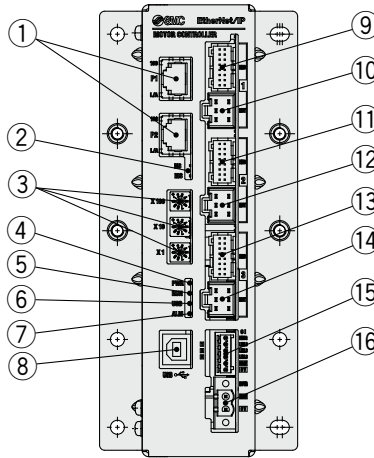


DIN rail mounting



Controller Details

EtherNet/IP™ Type JXC92



No.	Name	Description	Details
①	P1, P2	EtherNet/IP™ communication connector	Connect Ethernet cable.
②	NS, MS	Communication status LED	Displays the status of the EtherNet/IP™ communication
③	X100 X10 X1	IP address setting switches	Switch to set the 4th byte of the IP address by X1, X10 and X100.
④	PWR	Power supply LED (Green)	Power supply ON: Green turns on Power supply OFF: Green turns off
⑤	RUN	Operation LED (Green)	Running in EtherNet/IP™: Green turns on Running via USB communication: Green flashes Stopped: Green turns off
⑥	USB	USB connection LED (Green)	USB connected: Green turns on USB not connected: Green turns off
⑦	ALM	Alarm LED (Red)	With alarm: Red turns on Without alarm: Red turns off
⑧	USB	Serial communication connector	Connect to a PC via the USB cable.
⑨	ENC ①	Encoder connector (16 pins)	Axis 1: Connect the actuator cable.
⑩	MOT ①	Motor power connector (6 pins)	
⑪	ENC ②	Encoder connector (16 pins)	Axis 2: Connect the actuator cable.
⑫	MOT ②	Motor power connector (6 pins)	
⑬	ENC ③	Encoder connector (16 pins)	Axis 3: Connect the actuator cable.
⑭	MOT ③	Motor power connector (6 pins)	
⑮	CI	Control power supply connector*1	Control power supply (+), All axes stop (+), Axis 1 lock release (+), Axis 2 lock release (+), Axis 3 lock release (+), Common (-)
⑯	M PWR	Motor power supply connector*1	Motor power supply (+), Motor power supply (-)

*1 Connectors are included. (Refer to page 253.)

4-Axis Step Motor Controller (Parallel I/O/EtherNet/IP™ Type)

JXC73/83/93 Series



* For details, refer to page 307 and onward.

How to Order

■ Parallel I/O (JXC73/83)

Controller



JXC **7** **3** **2**

I/O type

Symbol	I/O type
7	NPN
8	PNP

I/O cable, mounting

Symbol	I/O cable	Mounting
1	1.5 m	Screw mounting
2	1.5 m	DIN rail
3	3 m	Screw mounting
4	3 m	DIN rail
5	5 m	Screw mounting
6	5 m	DIN rail
7	None	Screw mounting
8	None	DIN rail

4-axis type

* Two I/O cables are included.

■ EtherNet/IP™ Type (JXC93)

Controller



JXC **9** **3** **7**

EtherNet/IP™ type

Mounting

Symbol	Mounting
7	Screw mounting
8	DIN rail

4-axis type

* Order the actuator separately, including the actuator cable.
(Example: LEY16B-100B-S1)

* For the "Speed-Work Load" graph of the actuator, refer to the LECPA section on the model selection page of the actuator to be connected.

Specifications

For the setting of functions and operation methods, refer to the operation manual on the SMC website. (Documents/Download --> Instruction Manuals)

Parallel I/O (JXC73/83)

Item	Specifications
Number of axes	Max. 4 axes
Compatible motor	Step motor (Servo/24 VDC)
Compatible encoder	Incremental
Power supply*1	Main control power supply Power voltage: 24 VDC ±10% Max. current consumption: 300 mA Motor power supply, Motor control power supply (Common) Power voltage: 24 VDC ±10% Max. current consumption: Based on the connected actuator*2
Parallel input	16 inputs (Photo-coupler isolation)
Parallel output	32 outputs (Photo-coupler isolation)
Serial communication	USB2.0 (Full Speed 12 Mbps)
Memory	Flash-ROM/EEPROM
LED indicator	PWR, RUN, USB, ALM
Lock control	Forced-lock release terminal*3
Cable length	I/O cable: 5 m or less, Actuator cable: 20 m or less
Cooling system	Natural air cooling
Operating temperature range	0°C to 40°C (No freezing)
Operating humidity range	90% RH or less (No condensation)
Storage temperature range	-10°C to 60°C (No freezing)
Storage humidity range	90% RH or less (No condensation)
Insulation resistance	Between all external terminals and the case: 50 MΩ (500 VDC)
Weight	1050 g (Screw mounting), 1100 g (DIN rail mounting)

- *1 Do not use a power supply with inrush current protection for the motor drive power and motor control power supply.
- *2 Power consumption depends on the actuator connected. Refer to the actuator specifications for further details.
- *3 Applicable to non-magnetizing locks

For the setting of functions and operation methods, refer to the operation manual on the SMC website. (Documents/Download --> Instruction Manuals)

EtherNet/IP™ Type (JXC93)

Item	Specifications	
Number of axes	Max. 4 axes	
Compatible motor	Step motor (Servo/24 VDC)	
Compatible encoder	Incremental	
Power supply*1	Main control power supply Power voltage: 24 VDC ±10% Max. current consumption: 350 mA Motor power supply, Motor control power supply (Common) Power voltage: 24 VDC ±10% Max. current consumption: Based on the connected actuator*2	
Communication	Protocol	EtherNet/IP™*4
	Communication speed	10 Mbps/100 Mbps (automatic negotiation)
	Communication method	Full duplex/Half duplex (automatic negotiation)
	Configuration file	EDS file
	Occupied area	Input 16 bytes/Output 16 bytes
	IP address setting range	Manual setting by switches: From 192.168.1.1 to 254, Via DHCP server: Arbitrary address
	Vendor ID	7 h (SMC Corporation)
	Product type	2 Bh (Generic Device)
Product code	DCh	
Serial communication	USB2.0 (Full Speed 12 Mbps)	
Memory	Flash-ROM/EEPROM	
LED indicator	PWR, RUN, USB, ALM, NS, MS, L/A, 100	
Lock control	Forced-lock release terminal*3	
Cable length	Actuator cable: 20 m or less	
Cooling system	Natural air cooling	
Operating temperature range	0°C to 40°C (No freezing)	
Operating humidity range	90% RH or less (No condensation)	
Storage temperature range	-10°C to 60°C (No freezing)	
Storage humidity range	90% RH or less (No condensation)	
Insulation resistance	Between all external terminals and the case: 50 MΩ (500 VDC)	
Weight	1050 g (Screw mounting), 1100 g (DIN rail mounting)	

- *1 Do not use a power supply with inrush current protection for the motor drive power and motor control power supply.
- *2 Power consumption depends on the actuator connected. Refer to the actuator specifications for further details.
- *3 Applicable to non-magnetizing locks
- *4 EtherNet/IP™ is a trademark of ODVA.

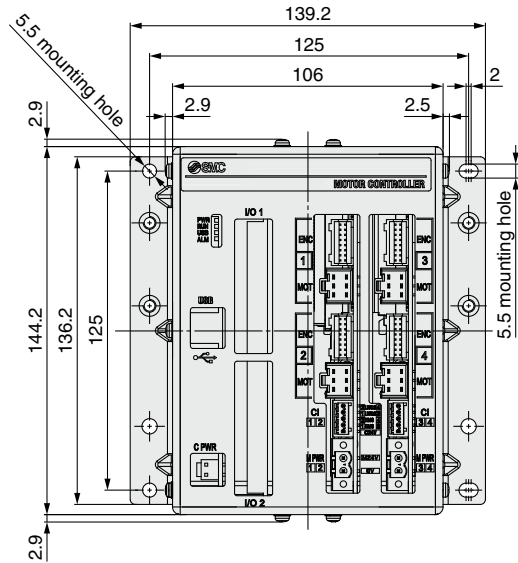
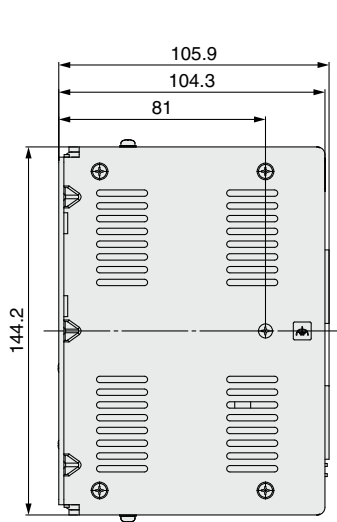
Model Selection
LEY
LEYG
LEYG
LEY
LEYG
LEY-X7
LEY-X5
25A-LEY
JXC51/61
LECA6
LEC-G
LECP1
LECPA
JXC
LECS
LECY
Specific Product Precautions

JXC73/83/93 Series

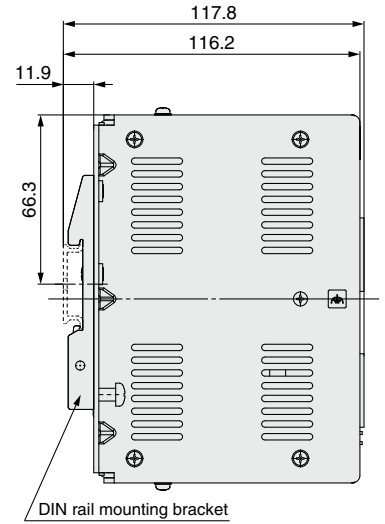
Dimensions

Parallel I/O JXC73/83

Screw mounting

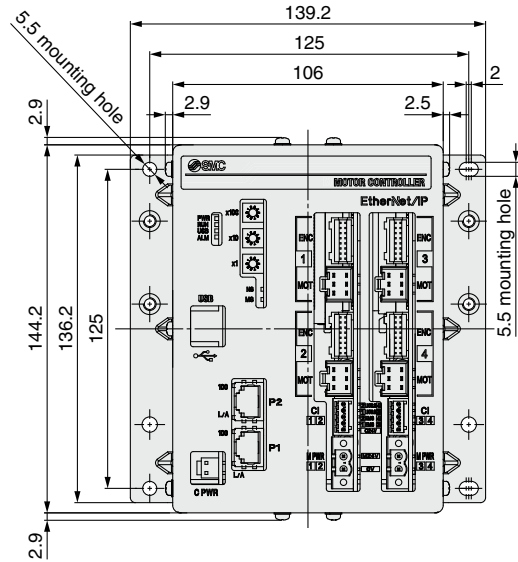
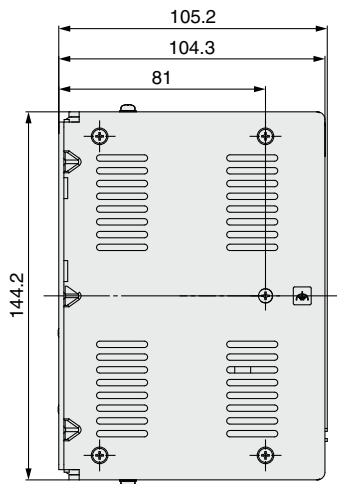


DIN rail mounting

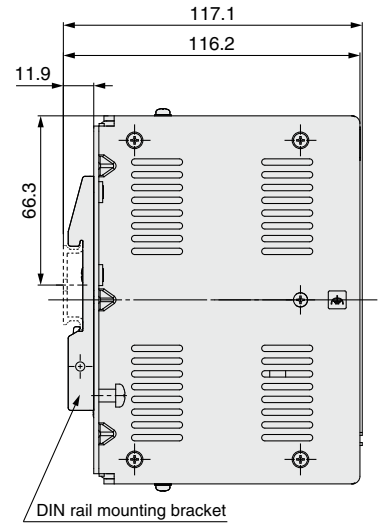


EtherNet/IP™ Type JXC93

Screw mounting

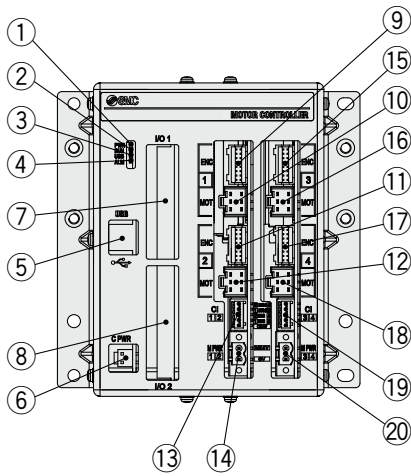


DIN rail mounting



Controller Details

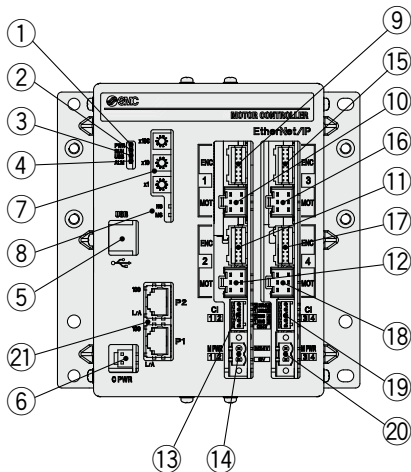
Parallel I/O JXC73/83



No.	Name	Description	Details
①	PWR	Power supply LED (Green)	Power supply ON: Green turns on Power supply OFF: Green turns off
②	RUN	Operation LED (Green)	Running in parallel I/O: Green turns on Running via USB communication: Green flashes Stopped: Green turns off
③	USB	USB connection LED (Green)	USB connected: Green turns on USB not connected: Green turns off
④	ALM	Alarm LED (Red)	With alarm: Red turns on Without alarm: Red turns off
⑤	USB	Serial communication	Connect to a PC via the USB cable.
⑥	C PWR	Main control power supply connector (2 pins)*1	Main control power supply (+) (-)
⑦	I/O 1	Parallel I/O connector (40 pins)	Connect to a PLC via the I/O cable.
⑧	I/O 2	Parallel I/O connector (40 pins)	Connect to a PLC via the I/O cable.
⑨	ENC 1	Encoder connector (16 pins)	Axis 1: Connect the actuator cable.
⑩	MOT 1	Motor power connector (6 pins)	
⑪	ENC 2	Encoder connector (16 pins)	Axis 2: Connect the actuator cable.
⑫	MOT 2	Motor power connector (6 pins)	
⑬	CI 1 2	Motor control power supply connector*1	Motor control power supply (+), Axis 1 stop (+), Axis 1 lock release (+), Axis 2 stop (+), Axis 2 lock release (+)
⑭	M PWR 1 2	Motor power supply connector*1	For Axis 1, 2. Motor power supply (+), Common (-)
⑮	ENC 3	Encoder connector (16 pins)	Axis 3: Connect the actuator cable.
⑯	MOT 3	Motor power connector (6 pins)	
⑰	ENC 4	Encoder connector (16 pins)	Axis 4: Connect the actuator cable.
⑱	MOT 4	Motor power connector (6 pins)	
⑲	CI 3 4	Motor control power supply connector*1	Motor control power supply (+), Axis 3 stop (+), Axis 3 lock release (+), Axis 4 stop (+), Axis 4 lock release (+)
⑳	M PWR 3 4	Motor power supply connector*1	For Axis 3, 4. Motor power supply (+), Common (-)

*1 Connectors are included. (Refer to page 253.)

EtherNet/IP™ Type JXC93



No.	Name	Description	Details
①	PWR	Power supply LED (Green)	Power supply ON: Green turns on Power supply OFF: Green turns off
②	RUN	Operation LED (Green)	Running in EtherNet/IP™: Green turns on Running via USB communication: Green flashes Stopped: Green turns off
③	USB	USB connection LED (Green)	USB connected: Green turns on USB not connected: Green turns off
④	ALM	Alarm LED (Red)	With alarm: Red turns on Without alarm: Red turns off
⑤	USB	Serial communication	Connect to a PC via the USB cable.
⑥	C PWR	Main control power supply connector (2 pins)*1	Main control power supply (+) (-)
⑦	x100 x10 x1	IP address setting switches	Switch to set the 4th byte of the IP address by X1, X10 and X100.
⑧	MS, NS	Communication status LED	Displays the status of the EtherNet/IP™ communication
⑨	ENC 1	Encoder connector (16 pins)	Axis 1: Connect the actuator cable.
⑩	MOT 1	Motor power connector (6 pins)	
⑪	ENC 2	Encoder connector (16 pins)	Axis 2: Connect the actuator cable.
⑫	MOT 2	Motor power connector (6 pins)	
⑬	CI 1 2	Motor control power supply connector*1	Motor control power supply (+), Axis 1 stop (+), Axis 1 lock release (+), Axis 2 stop (+), Axis 2 lock release (+)
⑭	M PWR 1 2	Motor power supply connector*1	For Axis 1, 2. Motor power supply (+), Common (-)
⑮	ENC 3	Encoder connector (16 pins)	Axis 3: Connect the actuator cable.
⑯	MOT 3	Motor power connector (6 pins)	
⑰	ENC 4	Encoder connector (16 pins)	Axis 4: Connect the actuator cable.
⑱	MOT 4	Motor power connector (6 pins)	
⑲	CI 3 4	Motor control power supply connector*1	Motor control power supply (+), Axis 3 stop (+), Axis 3 lock release (+), Axis 4 stop (+), Axis 4 lock release (+)
⑳	M PWR 3 4	Motor power supply connector*1	For Axis 3, 4. Motor power supply (+), Common (-)
㉑	P1, P2	EtherNet/IP™ communication connector	Connect Ethernet cable.

*1 Connectors are included. (Refer to page 253.)

Model Selection

Step Motor (Servo/24 VDC)/Servo Motor (24 VDC) LEY

LEYG

AC Servo Motor LEY

LEYG

Environment LEY-X7

25A-LEY LEY-X5

JXC51/61 LECA6

LECA6 LEC-G

Step Motor (Servo/24 VDC)/Servo Motor (24 VDC) LECPA LECP1

JXC LECPA

AC Servo Motor LECSC

LEYC

Specific Product Precautions

JXC73/83/92/93 Series

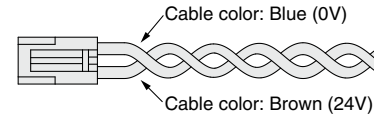
Wiring Example 1

Cable with Main Control Power Supply Connector (For 4 Axes)*1: C PWR 1 pc. For 4 Axes
JXC73/83/93

Terminal name	Function	Details
+24V	Main control power supply (+)	Power supply (+) supplied to the main control
24-0V	Main control power supply (-)	Power supply (-) supplied to the main control

*1 Part no.: JXC-C1 (Cable length: 1.5 m)

Cable with main control power supply connector



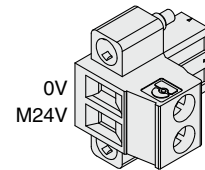
Motor Power Supply Connector (For 3/4 Axes)*2: M PWR 2 pcs.*3 For 3 Axes
JXC92 For 4 Axes
JXC73/83/93

Terminal name	Function	Details	Note
0V	Motor power supply (-)	Power supply (-) supplied to the motor power	For 3 axes JXC92
		The M24V terminal, C24V terminal, EMG terminal, and LKRLS terminal are common (-).	For 4 axes JXC73/83/93
M24V	Motor power supply (+)	Power supply (+) supplied to the motor power	

*2 Manufactured by PHOENIX CONTACT (Part no.: MSTB2, 5/2-STF-5, 08)

*3 1 pc. for 3 axes (JXC92)

Motor power supply connector

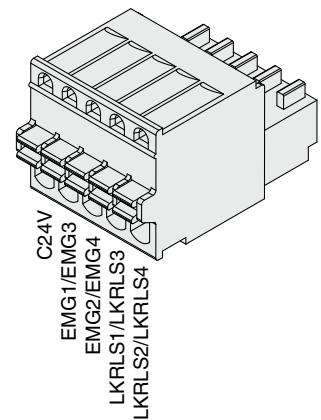


Motor Control Power Supply Connector (For 4 Axes)*4: CI 2 pcs. For 4 Axes
JXC73/83/93

Terminal name	Function	Details
C24V	Motor control power supply (+)	Power supply (+) supplied to the motor control
EMG1/EMG3	Stop (+)	Axis 1/Axis 3: Input (+) for releasing the stop
EMG2/EMG4	Stop (+)	Axis 2/Axis 4: Input (+) for releasing the stop
LKRLS1/LKRLS3	Lock release (+)	Axis 1/Axis 3: Input (+) for releasing the lock
LKRLS2/LKRLS4	Lock release (+)	Axis 2/Axis 4: Input (+) for releasing the lock

*4 Manufactured by PHOENIX CONTACT (Part no.: FK-MC0, 5/5-ST-2, 5)

Motor control power supply connector

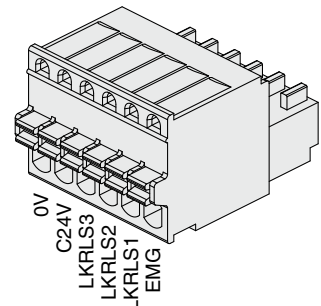


Control Power Supply Connector (For 3 Axes)*5: CI 1 pc. For 3 Axes
JXC92

Terminal name	Function	Details
0V	Control power supply (-)	The C24V terminal, LKRLS terminal, and EMG terminal are common (-).
C24V	Control power supply (+)	Power supply (+) supplied to the control
LKRLS3	Lock release (+)	Axis 3: Input (+) for releasing the lock
LKRLS2	Lock release (+)	Axis 2: Input (+) for releasing the lock
LKRLS1	Lock release (+)	Axis 1: Input (+) for releasing the lock
EMG	Stop (+)	All axes: Input (+) for releasing the stop

*5 Manufactured by PHOENIX CONTACT (Part no.: FK-MC0, 5/6-ST-2, 5)

Control power supply connector



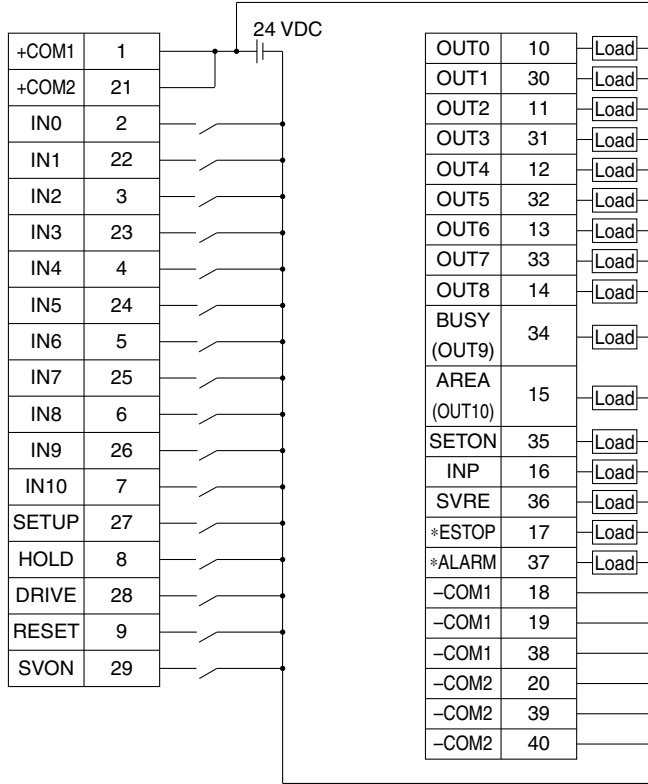
Wiring Example 2

Parallel I/O Connector

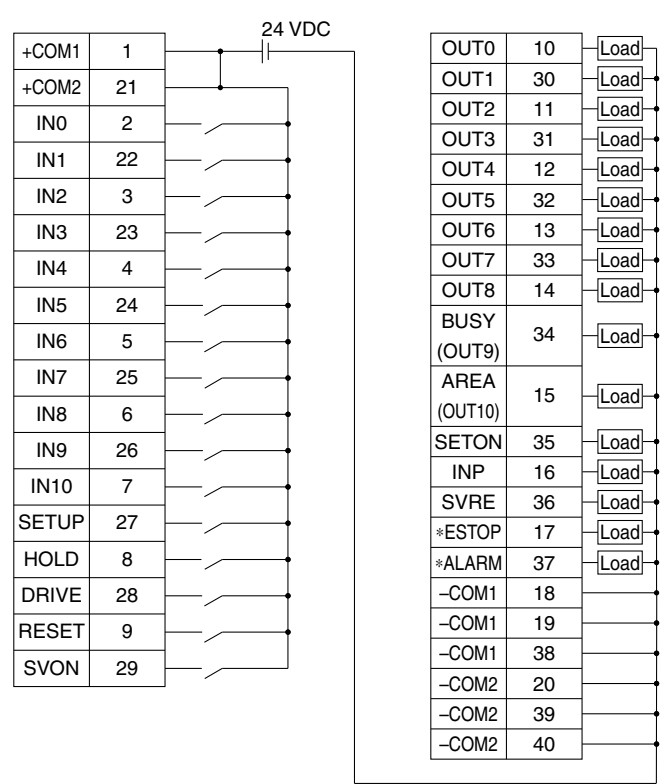
- * When you connect a PLC to the I/O 1 or I/O 2 parallel I/O connector, use the I/O cable (JXC-C2-□).
- * The wiring changes depending on the type of parallel I/O (NPN or PNP).

I/O 1 Wiring example

NPN JXC73



PNP JXC83



I/O 1 Input Signal

Name	Details
+COM1 +COM2	Connects the power supply 24 V for input/output signal
IN0 to IN8	Step data specified bit no. (Standard: When 512 points are used)
IN9 IN10	Step data specified extension bit no. (Extension: When 2048 points are used)
SETUP	Instruction to return to origin
HOLD	Temporarily stops operation
DRIVE	Instruction to drive
RESET	Resets alarm and interrupts operation
SVON	Servo ON instruction

I/O 1 Output Signal

Name	Details
OUT0 to OUT8	Outputs the step data no. during operation
BUSY (OUT9)	Outputs when the operation of the actuator is in progress
AREA (OUT10)	Outputs when all actuators are within the area output range
SETON	Outputs when the return to origin of all actuators is completed
INP	Outputs when the positioning or pushing of all actuators is completed
SVRE	Outputs when servo is ON
*ESTOP*1	OFF when EMG stop is instructed
*ALARM*1	OFF when alarm is generated
-COM1 -COM2	Connects the power supply 0 V for input/output signal

*1 Negative-logic circuit signal

Model Selection

Step Motor (Servo/24 VDC)/Servo Motor (24 VDC) LEY

Step Motor (Servo/24 VDC)/Servo Motor (24 VDC) LEYG

AC Servo Motor LEY

AC Servo Motor LEYG

Environment LEY-X7

Environment LEY-X5

Environment LEY-X7

Environment LEY-X5

Environment LEY-X7

Environment LEY-X5

Environment LEY-X7

Environment LEY-X5

Environment LEY-X7

Environment LEY-X5

Environment LEY-X7

Environment LEY-X5

Environment LEY-X7

JXC73/83/92/93 Series

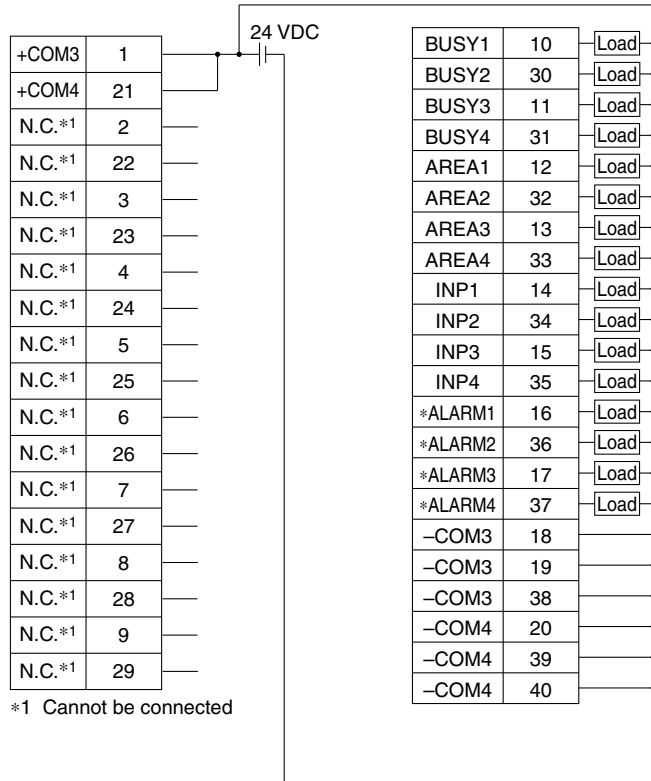
Wiring Example 2

Parallel I/O Connector

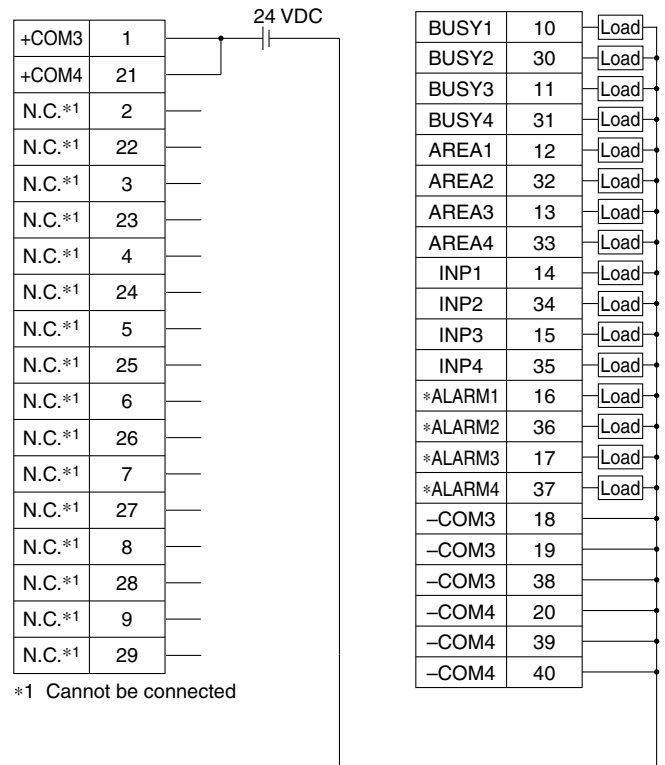
- * When you connect a PLC to the I/O 1 or I/O 2 parallel I/O connector, use the I/O cable (JXC-C2-□).
- * The wiring changes depending on the type of parallel I/O (NPN or PNP).

I/O 2 Wiring example

NPN JXC73



PNP JXC83



I/O 2 Input Signal

Name	Details
+COM3 +COM4	Connects the power supply 24 V for input/output signal
N.C.	Cannot be connected

I/O 2 Output Signal

Name	Details
BUSY1	Busy signal for axis 1
BUSY2	Busy signal for axis 2
BUSY3	Busy signal for axis 3
BUSY4	Busy signal for axis 4
AREA1	Area signal for axis 1
AREA2	Area signal for axis 2
AREA3	Area signal for axis 3
AREA4	Area signal for axis 4
INP1	Positioning or pushing completion signal for axis 1
INP2	Positioning or pushing completion signal for axis 2
INP3	Positioning or pushing completion signal for axis 3
INP4	Positioning or pushing completion signal for axis 4
*ALARM1*2	Alarm signal for axis 1
*ALARM2*2	Alarm signal for axis 2
*ALARM3*2	Alarm signal for axis 3
*ALARM4*2	Alarm signal for axis 4
-COM3 -COM4	Connects the power supply 0 V for input/output signal

*2 Negative-logic circuit signal

Options

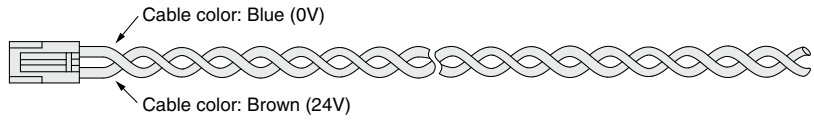
Cable with main control power supply connector

For 4 Axes
JXC73/83/93

JXC - C1

Cable length: 1.5 m (Accessory)

Number of cores	2
AWG size	AWG20



I/O cable (1 pc.)

JXC - C2 -

For 4 Axes
JXC73/83

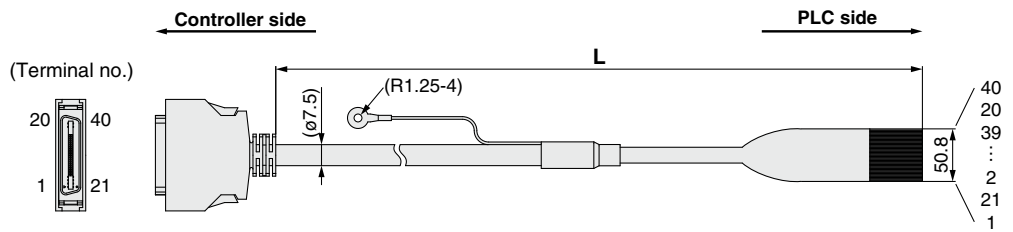
Cable length (L) [m]

1	1.5
3	3
5	5

Number of cores	40
AWG size	AWG28

Weight

Product no.	Weight [g]
JXC-C2-1	160
JXC-C2-3	300
JXC-C2-5	480



Pin no.	Wire color	Pin no.	Wire color	Pin no.	Wire color	Pin no.	Wire color
1	Orange (Black 1)	6	Orange (Black 2)	11	Orange (Black 3)	16	Orange (Black 4)
21	Orange (Red 1)	26	Orange (Red 2)	31	Orange (Red 3)	36	Orange (Red 4)
2	Gray (Black 1)	7	Gray (Black 2)	12	Gray (Black 3)	17	Gray (Black 4)
22	Gray (Red 1)	27	Gray (Red 2)	32	Gray (Red 3)	37	Gray (Red 4)
3	White (Black 1)	8	White (Black 2)	13	White (Black 3)	18	White (Black 4)
23	White (Red 1)	28	White (Red 2)	33	White (Red 3)	38	White (Red 4)
4	Yellow (Black 1)	9	Yellow (Black 2)	14	Yellow (Black 3)	19	Yellow (Black 4)
24	Yellow (Red 1)	29	Yellow (Red 2)	34	Yellow (Red 3)	39	Yellow (Red 4)
5	Pink (Black 1)	10	Pink (Black 2)	15	Pink (Black 3)	20	Pink (Black 4)
25	Pink (Red 1)	30	Pink (Red 2)	35	Pink (Red 3)	40	Pink (Red 4)

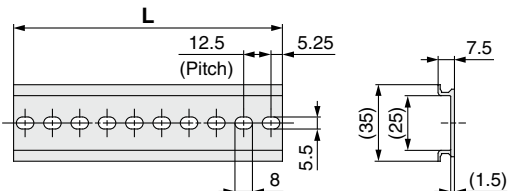
DIN rail

AXT100 - DR -

For 3 Axes
JXC92

For 4 Axes
JXC73/83/93

* For , enter a number from the No. line in the table below. Refer to the dimension drawings on pages 248 and 251 for the mounting dimensions.



L Dimensions

No.	1	2	3	4	5	6	7	8	9	10	11	12	13	14	15	16	17	18	19	20
L	23	35.5	48	60.5	73	85.5	98	110.5	123	135.5	148	160.5	173	185.5	198	210.5	223	235.5	248	260.5
No.	21	22	23	24	25	26	27	28	29	30	31	32	33	34	35	36	37	38	39	40
L	273	285.5	298	310.5	323	335.5	348	360.5	373	385.5	398	410.5	423	435.5	448	460.5	473	485.5	498	510.5

DIN rail mounting bracket (with 6 mounting screws)

For 3 Axes
JXC92

For 4 Axes
JXC73/83/93

JXC - Z1

This should be used when the DIN rail mounting bracket is mounted onto a screw mounting type controller afterward.

Model Selection

Step Motor (Servo/24 VDC)/Servo Motor (24 VDC)
LEY
LEYG

AC Servo Motor
LEY
LEYG

Environment
LEY-X7
LEY-X5

25A-LEY

JXC51/61

LECA6

LECA6

LECA6

LECA6

LECA6

JXC

LECA6

LECA6

Specific Product Precautions

JXC73/83/92/93 Series

Options

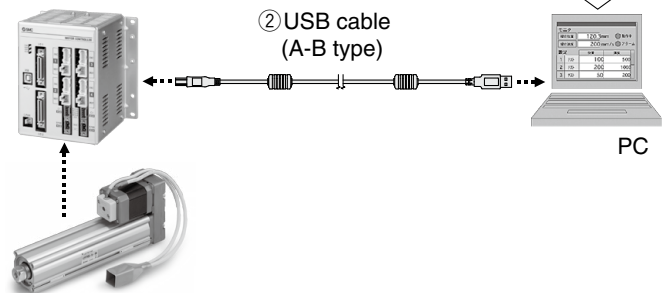
Controller setting kit

For 4 Axes
JXC73/83/93

JXC-W1

• Controller setting kit
(Japanese and English are available.)

① Controller setting software



Contents

- ① Controller setting software (CD-ROM)
- ② USB cable (Cable length: 3 m)

Description	Model
① Controller setting software	JXC-W1-1
② USB cable	JXC-W1-2 (The same cable as the JXC-MA1-2)

* Can be ordered separately

Hardware Requirements

PC/AT compatible machine with Windows 7 or Windows 8.1 and USB1.1 or USB2.0 port

* Windows® is a registered trademark of Microsoft Corporation in the United States.

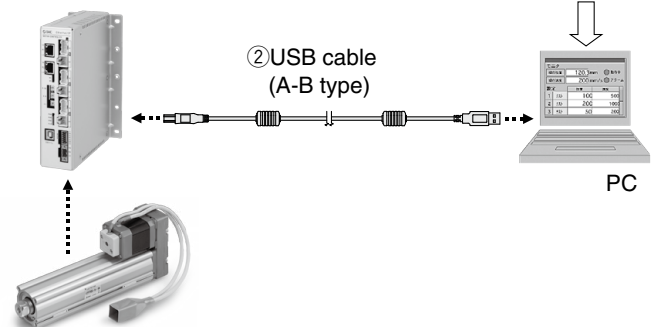
Controller setting kit

For 3 Axes
JXC92

JXC-MA1^{*1}

• Controller setting kit
(Japanese and English are available.)

① Controller setting software^{*1}



Contents

- ① Controller setting software (CD-ROM)^{*1}
- ② USB cable (Cable length: 3 m)

Description	Model
① Controller setting software	JXC-MA1-1
② USB cable	JXC-MA1-2 (The same cable as the JXC-W1-2)

* Can be ordered separately

Hardware Requirements

PC/AT compatible machine with Windows 7 or Windows 8.1 and USB1.1 or USB2.0 port

^{*1} The controller setting software also includes software dedicated for 4 axes.

* Windows® is a registered trademark of Microsoft Corporation in the United States.

Compatible controllers

JXC LECP1

LECPA

Actuator Cable 1

[Robotic cable, standard cable for step motor (Servo/24 VDC)]

LE-CP-1-□

Cable length (L) [m]

1	1.5
3	3
5	5
8	8*1
A	10*1
B	15*1
C	20*1

*1 Produced upon receipt of order (Robotic cable only)

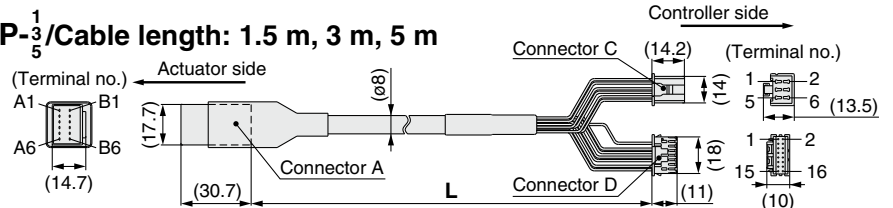
Cable type

Nil	Robotic cable (Flexible cable)
S	Standard cable

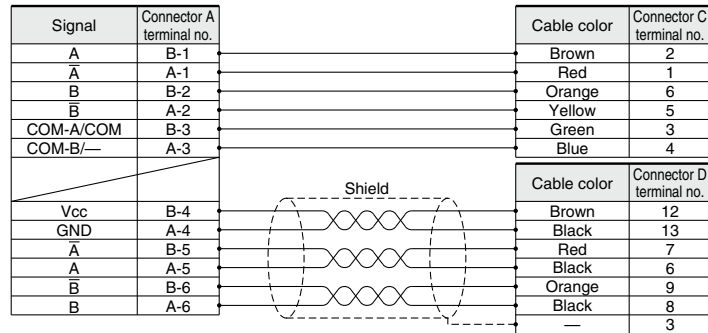
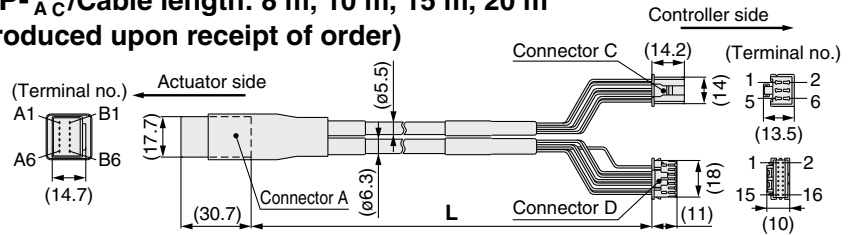
Weight

Product no.	Weight [g]	Note
LE-CP-1-S	190	Standard cable
LE-CP-3-S	280	
LE-CP-5-S	460	
LE-CP-1	140	Robotic cable
LE-CP-3	260	
LE-CP-5	420	
LE-CP-8	790	
LE-CP-A	980	
LE-CP-B	1460	
LE-CP-C	1940	

LE-CP-¹/₅/Cable length: 1.5 m, 3 m, 5 m



LE-CP-^{8 B}/_{AC}/Cable length: 8 m, 10 m, 15 m, 20 m
(*1 Produced upon receipt of order)



[Robotic cable, standard cable with lock and sensor for step motor (Servo/24 VDC)]

LE-CP-1-B-□

Cable length (L) [m]

1	1.5
3	3
5	5
8	8*1
A	10*1
B	15*1
C	20*1

*1 Produced upon receipt of order (Robotic cable only)

With lock and sensor

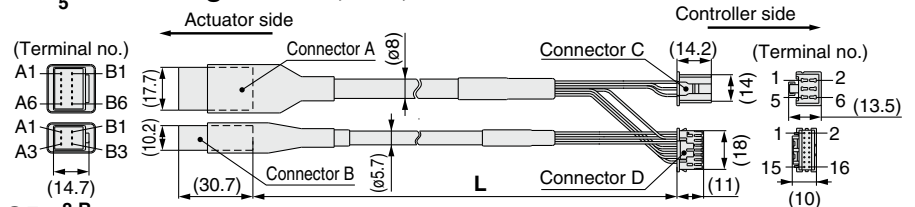
Cable type

Nil	Robotic cable (Flexible cable)
S	Standard cable

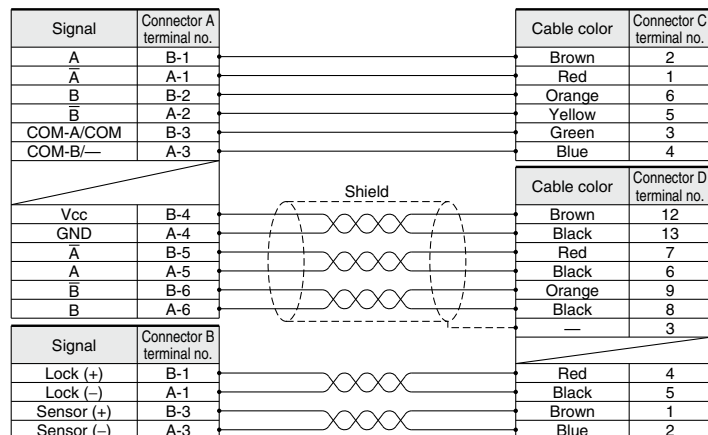
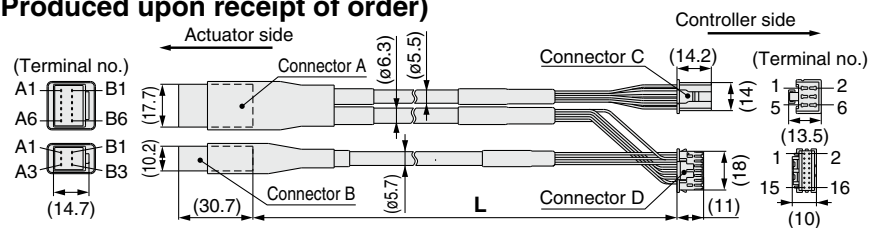
Weight

Product no.	Weight [g]	Note
LE-CP-1-B-S	240	Standard cable
LE-CP-3-B-S	380	
LE-CP-5-B-S	630	
LE-CP-1-B	190	Robotic cable
LE-CP-3-B	360	
LE-CP-5-B	590	
LE-CP-8-B	1060	
LE-CP-A-B	1320	
LE-CP-B-B	1920	
LE-CP-C-B	2620	

LE-CP-¹/₅/Cable length: 1.5 m, 3 m, 5 m



LE-CP-^{8 B}/_{AC}/Cable length: 8 m, 10 m, 15 m, 20 m
(*1 Produced upon receipt of order)



Model Selection

LE

LEYG

LE

LEYG

LE

LEYG

LE

LEYG

LE

LEYG

LE

LEYG

LE

LEYG

LE

LEYG

LE

LEYG

LE

LEYG

LE

LEYG

LE

Compatible controller

LECA6

Actuator Cable 2

[Robotic cable for servo motor (24 VDC)]

LE-CA-1

Cable length (L) [m]

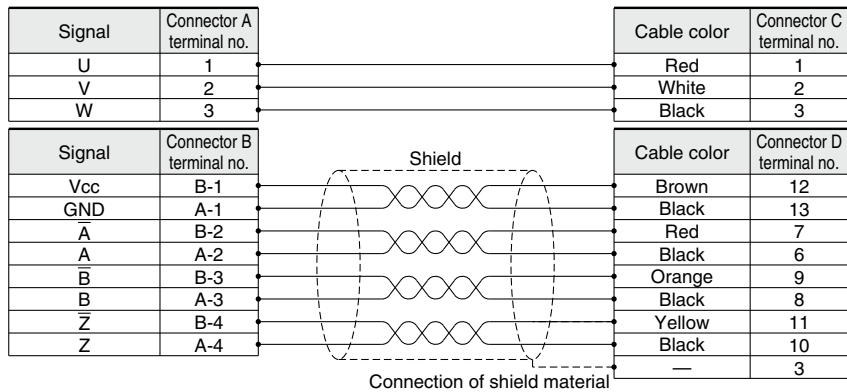
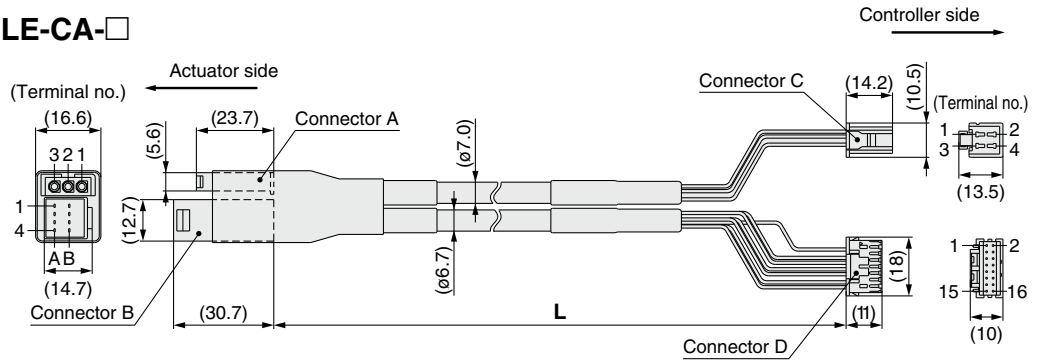
1	1.5
3	3
5	5
8	8*1
A	10*1
B	15*1
C	20*1

*1 Produced upon receipt of order

Weight

Product no.	Weight [g]
LE-CA-1	220
LE-CA-3	420
LE-CA-5	700
LE-CA-8	1100
LE-CA-A	1370
LE-CA-B	2050
LE-CA-C	2720

LE-CA-□



[Robotic cable with lock and sensor for servo motor (24 VDC)]

LE-CA-1-B

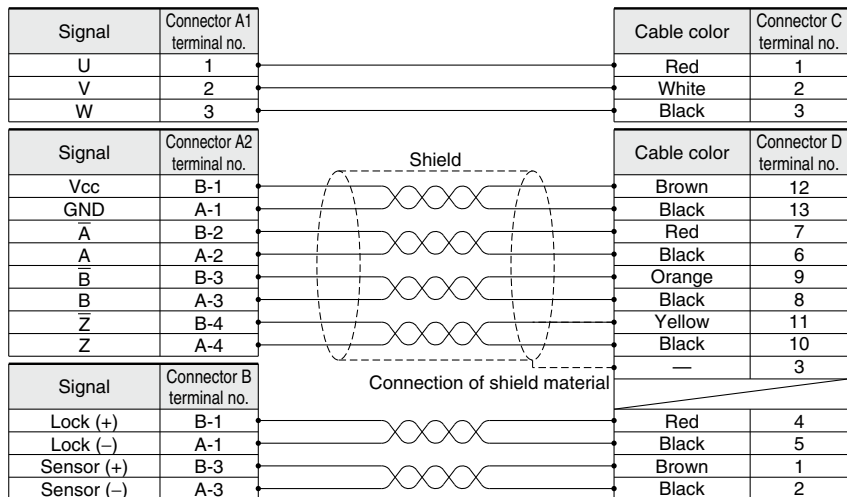
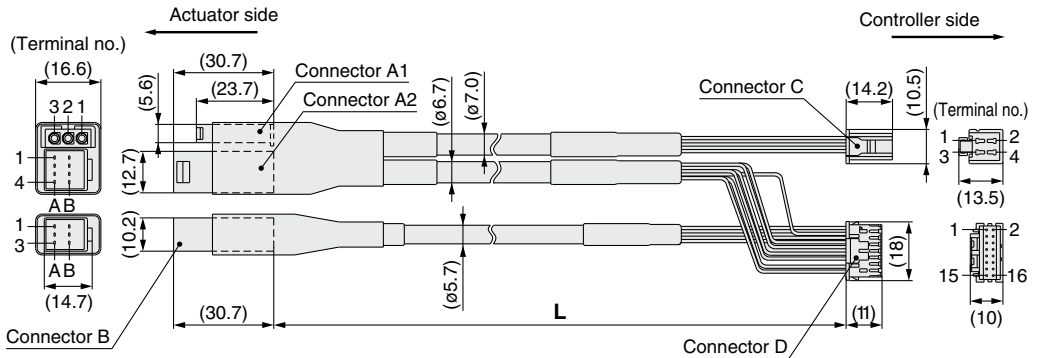
Cable length (L) [m]

1	1.5
3	3
5	5
8	8*1
A	10*1
B	15*1
C	20*1

*1 Produced upon receipt of order

With lock and sensor

LE-CA-□-B



Compatible controllers

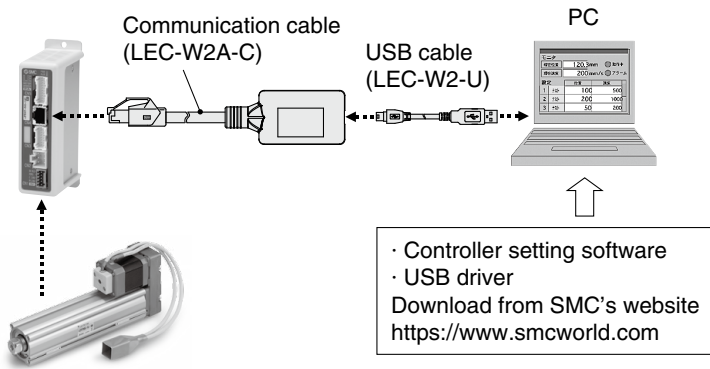
JXC□1 LECA6

LECPA

LEC-W2A-□

Communication Cable for Controller Setting

How to Order



LEC-W2A-C

Communication cable

LEC-W2-U

USB cable

Compatible Controller/Driver

Step data input type

LECA6 Series

Pulse input type

LECPA Series

Step Motor Controller

JXCE1/91/P1/D1/L1/M1 Series

* When connecting to a JXCE1/91/P1/D1/L1/M1 series product, use a conversion cable (P5062-5) as a relay.

Refer to page 245 for details on the communication cable for controller setting (JXC-W2A-C) which doesn't require a conversion cable.

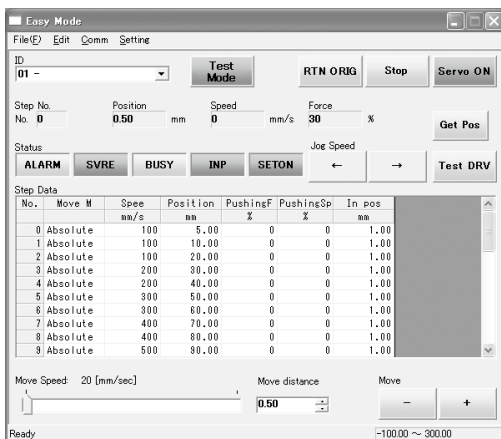
Hardware Requirements

OS	Windows®7, Windows®8.1, Windows®10
Communication interface	USB 1.1 or USB 2.0 ports
Display	1024 x 768 or more

* Windows®7, Windows®8.1 and Windows®10 are registered trademarks of Microsoft Corporation in the United States.

Screen Example

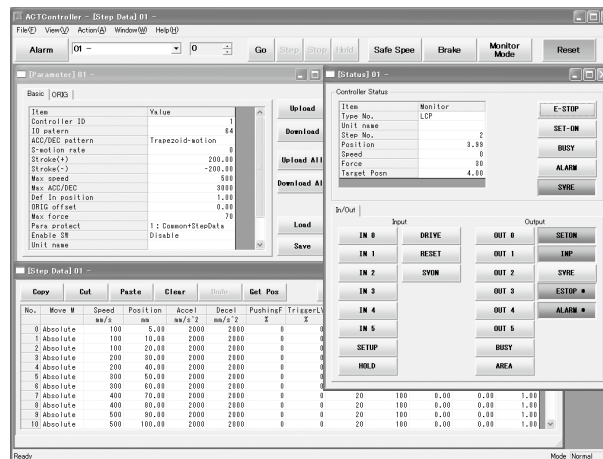
Easy mode screen example



Easy operation and simple setting

- Allowing to set and display actuator step data such as position, speed, force, etc.
- Setting of step data and test drive can be performed on the same page.
- Can be used to jog and move at a constant rate

Normal mode screen example



Detailed setting

- Step data can be set in detail.
- Signals and terminal status can be monitored.
- Parameters can be set.
- JOG and constant rate movement, return to origin, test drive and testing of forced output can be performed.

Model Selection

LEY

LEYG

LEY

LEYG

LEY-X7

LEY-X5

25A-LEY

JXC51/61

LECA6

LEC-G

LECP1

LECPA

JXC□

LECS□

LECY□

Specific Product Precautions

Step Motor (Servo/24 VDC)/Servo Motor (24 VDC)

AC Servo Motor

Environment

Step Motor (Servo/24 VDC)/Servo Motor (24 VDC)

AC Servo Motor

Compatible controllers

JXC□1 LECA6

LECPA

LEC-T1 Teaching Box



RoHS



How to Order

LEC-T1-3 J G □

Teaching box

Cable length [m]
3 3

Initial language
J Japanese
E English

Enable switch

Nil	None
S	Equipped with enable switch

* Interlock switch for jog and test function

Stop switch
G Equipped with stop switch

* The displayed language can be changed to English or Japanese.

Specifications

Item	Description
Switch	Stop switch, Enable switch (Option)
Cable length [m]	3
Enclosure	IP64 (Except connector)
Operating temperature range [°C]	5 to 50
Operating humidity range [%RH]	90 or less (No condensation)
Weight [g]	350 (Except cable)

[UL-compliant products]

When compliance with UL is required, the electric actuator and controller should be used with a UL1310 Class 2 power supply.

Standard functions

- Chinese character display
- Stop switch is provided.

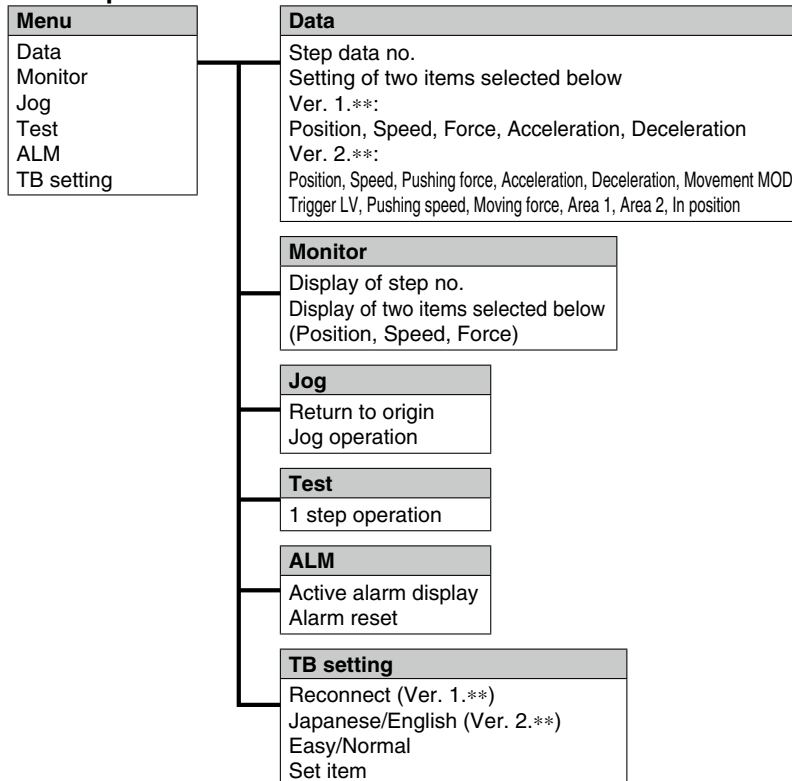
Option

- Enable switch is provided.

Easy Mode

Function	Details
Step data	• Setting of step data
Jog	• Jog operation • Return to origin
Test	• 1 step operation • Return to origin
Monitor	• Display of axis and step data no. • Display of two items selected from Position, Speed, Force.
ALM	• Active alarm display • Alarm reset
TB setting	• Reconnection of axis (Ver. 1.**) • Displayed language setting (Ver. 2.**) • Setting of easy/normal mode • Setting step data and selection of items from easy mode monitor

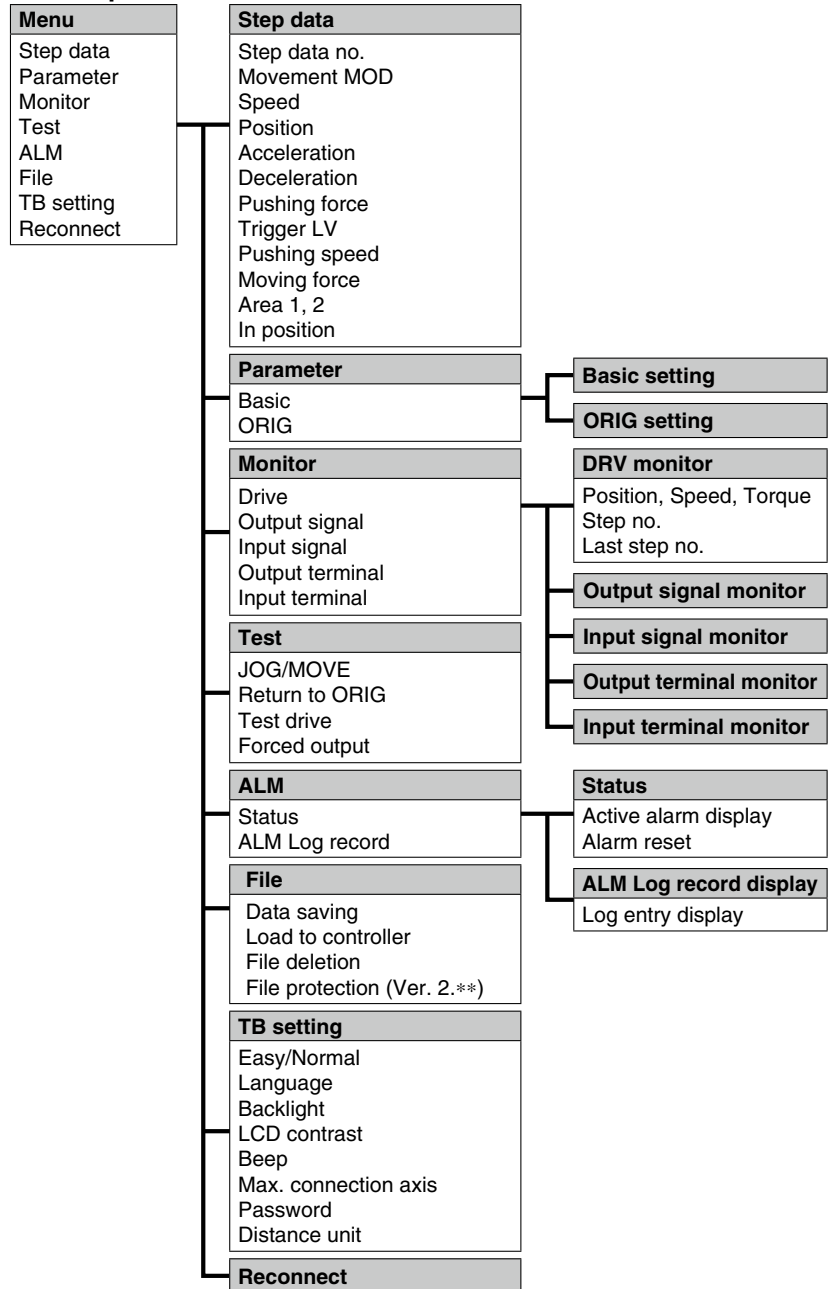
Menu Operations Flowchart



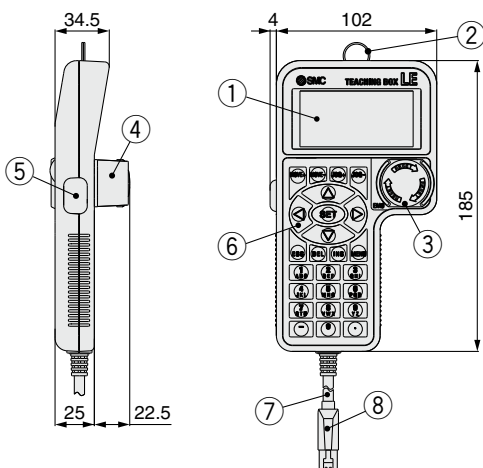
Normal Mode

Function	Details
Step data	• Step data setting
Parameter	• Parameters setting
Test	<ul style="list-style-type: none"> • Jog operation/Constant rate movement • Return to origin • Test drive (Specify a max. of 5 step data and operate.) • Forced output (Forced signal output, Forced terminal output)
Monitor	<ul style="list-style-type: none"> • Drive monitor • Output signal monitor • Input signal monitor • Output terminal monitor • Input terminal monitor
ALM	<ul style="list-style-type: none"> • Active alarm display (Alarm reset) • Alarm log record display
File	<ul style="list-style-type: none"> • Data saving Save the step data and parameters of the controller which is being used for communication (it is possible to save four files, with one set of step data and parameters defined as one file). • Load to controller Loads the data which is saved in the teaching box to the controller which is being used for communication. • Delete the saved data. • File protection (Ver. 2.**)
TB setting	<ul style="list-style-type: none"> • Display setting (Easy/Normal mode) • Language setting (Japanese/English) • Backlight setting • LCD contrast setting • Beep sound setting • Max. connection axis • Distance unit (mm/inch)
Reconnect	• Reconnection of axis

Menu Operations Flowchart



Dimensions



No.	Description	Function
1	LCD	A screen of liquid crystal display (with backlight)
2	Ring	A ring for hanging the teaching box
3	Stop switch	When switch is pushed in, the switch locks and stops. The lock is released when it is turned to the right.
4	Stop switch guard	A guard for the stop switch
5	Enable switch (Option)	Prevents unintentional operation (unexpected operation) of the jog test function. Other functions such as data change are not covered.
6	Key switch	Switch for each input
7	Cable	Length: 3 meters
8	Connector	A connector connected to CN4 of the controller

AC Servo Motor Drivers

LECS□/LECS□-T/LECY□ Series



* For details, refer to page 307 and onward.

Model Selection

The LECSB-S, LECS-C-S, and LECS-S-S electric actuator drivers are to be discontinued. Please select one of the substitute drivers ending with a "T" instead: the LECSB-T, LECS-C-T, and LECS-S-T.

Pulse Input Type/ Positioning Type p. 269

Incremental Type
LECSA Series



Pulse Input Type p. 269

Absolute Type
LECSB Series



CC-Link Direct Input Type ... p. 269

Absolute Type
LECS-C Series

CC-Link



SSCNET III Type p. 269

Absolute Type
LECSS Series



Pulse Input Type/ Positioning Type p. 269

Absolute Type
LECSB-T Series



CC-Link Direct Input Type ... p. 269

Absolute Type
LECS-C-T Series

CC-Link



Network Card Type p. 269

Absolute Type
LECSN-T Series



Safety function STO available

SSCNET III/H Type p. 269

Absolute Type
LECSS-T Series



Safety function STO available

MECHATROLINK-II Type ... p. 295

Absolute Type
LECYM Series



Safety function STO available

MECHATROLINK-III Type ... p. 295

Absolute Type
LECYU Series



Safety function STO available

Step Motor (Servo/24 VDC)/Servo Motor (24 VDC)

LECY

LEYG

LEY

LEYG

LECY

LECY-X7

Environment

25A-LEY

LECY-X5

JXC51/61

LECA6

LECY-X6

LECY-X4

LECY-X3

LECY-X2

LECY-X1

Specific Product Precautions

AC Servo Motor Driver

LECS□ Series

Power supply voltage 100 to 120 VAC
200 to 230 VAC

Motor capacity 100/200/400 W

Incremental Type

LECSA Series (Pulse input type/Positioning type)



- Up to 7 positioning points by point table
- Input type: Pulse input
- Control encoder: Incremental 17-bit encoder (Resolution: 131072 p/rev)
- Parallel input: 6 inputs
output: 4 outputs

LECSB Series (Pulse input type)



- Input type: Pulse input
- Control encoder: Absolute 18-bit encoder (Resolution: 262144 p/rev)
- Parallel input: 10 inputs
output: 6 outputs

LECS C Series (CC-Link direct input type)



- Position data/speed data setting and operation start/stop
- Positioning by up to 255 point tables (when 2 stations are occupied)
- Up to 32 drivers can be connected (when 2 stations are occupied) with CC-Link communication.
- Applicable Fieldbus protocol: CC-Link (Ver. 1.10, Max. communication speed: 10 Mbps)
- Control encoder: Absolute 18-bit encoder (Resolution: 262144 p/rev)

CC-Link

LECSS Series (SSCNET III type)



- Compatible with Mitsubishi Electric's servo system controller network
- Reduced wiring and SSCNET III optical cable for one-touch connection
- The SSCNET III optical cable provides enhanced noise resistance.
- Up to 16 drivers can be connected with SSCNET III communication.
- Applicable Fieldbus protocol: SSCNET III
(High-speed optical communication, Max. bidirectional communication speed: 50 Mbps)
- Control encoder: Absolute 18-bit encoder (Resolution: 262144 p/rev)

SSCNET III
SERVO SYSTEM CONTROLLER NETWORK

AC Servo Motor Driver

LECS□-T Series

Power supply voltage 200 to 240 VAC
(LECS-T Series: 200 to 230 VAC)

Motor capacity 100/200/400/750 W

Model Selection

LECSB-T Series (Pulse input type/Positioning type)



- Positioning by up to 255 point tables
- Input type: Pulse input (Sink (NPN) type interface/Source (PNP) type interface)
- Control encoder: Absolute 22-bit encoder (Resolution: 4194304 p/rev)
- STO (Safe Torque Off) safety function available
- Parallel input: 10 inputs
output: 6 outputs

LECS-C-T Series (CC-Link direct input type)



- Position data/speed data setting and operation start/stop
- Positioning by up to 255 point tables (when 2 stations are occupied)
- Up to 32 drivers can be connected (when 2 stations are occupied) with CC-Link communication.
- Applicable Fieldbus protocol: CC-Link (Ver. 1.10, Max. communication speed: 10 Mbps)
- Control encoder: Absolute 18-bit encoder (Resolution: 262144 p/rev)

CC-Link

LECSN-T Series (Network card type)



- Supports EtherCAT[®], EtherNet/IP[™], and PROFINET[®]
- Supports 3 types of network card (EtherCAT[®], EtherNet/IP[™], and PROFINET)
- STO (Safe Torque Off) safety function available
- Control encoder: Absolute 22-bit encoder (Resolution: 4194304 p/rev)

PROFINET[®]

LECSS-T Series (SSCNET III/H type)



- Applicable Fieldbus protocol: SSCNET III/H
(High-speed optical communication, max. bidirectional communication speed: 150 Mbps)
- Bidirectional communication speed: 3 times
- SSCNET III/H and SSCNET III products are compatible.
- Improved noise resistance
- STO (Safe Torque Off) safety function available
- Control encoder: Absolute 22-bit encoder (Resolution: 4194304 p/rev)

SSCNET III/H
SERVO SYSTEM CONTROLLER NETWORK

Absolute Type

Step Motor (Servo/24 VDC)/Servo Motor (24 VDC)

LEY

LEYG

AC Servo Motor

LEY

LEYG

Environment

LEY-X7

LEY-X5

25A-LEY

Step Motor (Servo/24 VDC)/Servo Motor (24 VDC)

JXC51/61

LECA6

LEC-G

LECP1

LECPA

Step Motor (Servo/24 VDC)/Servo Motor (24 VDC)

JXC□

AC Servo Motor

LECS□

LECY□

Specific Product Precautions

AC Servo Motor Driver

LECY□ Series

Power supply voltage 200 to 230 VAC


Motor capacity 100/200/400 W

Absolute Type

LECYM Series (MECHATROLINK-II type)




 MECHATROLINK-II

- **Applicable Fieldbus protocol:**  MECHATROLINK-II
- **Number of connectable drivers:** 30 units (Transmission distance: Max. 50 m in total)
- **Max. transmission speed:** 10 Mbps
- **Min. transmission cycle:** 250 μ s
- **Control encoder:** Absolute 20-bit encoder (Resolution: 1048576 p/rev)
- **STO (Safe Torque Off) safety function available**
- **Compliant with the SEMI F47 Standard (Torque limit for low DC power supply voltage for main circuit)**

LECYU Series (MECHATROLINK-III type)



 MECHATROLINK-III

- **Applicable Fieldbus protocol:**  MECHATROLINK-III
- **Number of connectable drivers:** 62 units (Transmission distance: Max. 75 m between stations)
- **Max. transmission speed:** 100 Mbps
- **Min. transmission cycle:** 125 μ s
- **Control encoder:** Absolute 20-bit encoder (Resolution: 1048576 p/rev)
- **STO (Safe Torque Off) safety function available**
- **Compliant with the SEMI F47 Standard (Torque limit for low DC power supply voltage for main circuit)**

Specific Product
Precautions

AC Servo Motor
LECY LECS

Step Motor (Servo/24 VDC)/Servo Motor (24 VDC)
JXC LECPA LECPI LEC-G LEC-A6 JXC51/61

Environment
25A-LEY LEY-X5 LEY-X7

AC Servo Motor
LEYG LEY

Step Motor (Servo/24 VDC)/Servo Motor (24 VDC)
LEYG LEY

Model
Selection

AC Servo Motor Driver Incremental Type

LECSA Series (Pulse Input Type/Positioning Type)

Absolute Type

LECSB (Pulse Input Type)/**LECSC** (CC-Link Direct Input Type)/**LECSS** (SSCNET III Type)

LECSB-T (Pulse Input Type/Positioning Type)/**LECSC-T** (CC-Link Direct Input Type)

LECSN-T (Network Card Type)/**LECSS-T** (SSCNET III/H Type) **Series**



* For details, refer to page 307 and onward.
* Only the LECSA and LECSB-T are compliant. The LECSN-T is only compliant if the "Without network card" option is selected.

Compatible actuators

LEF LEJ LEY

How to Order

For LECSA/LECSB/LECSC/LECSS

LECS A 1 - S1

Driver type

A	Pulse input type/Positioning type (For incremental encoder)
B	Pulse input type (For absolute encoder)
C	CC-Link direct input type (For absolute encoder)
S	SSCNET III type (For absolute encoder)

Power supply voltage

1	100 to 120 VAC, 50/60 Hz
2	200 to 230 VAC, 50/60 Hz

The LECSB-S, LECSC-S, and LECSS-S electric actuator drivers are to be discontinued. Please select one of the substitute drivers ending with a "-T" instead: the LECSB-T, LECSC-T, and LECSS-T.



- * If an I/O connector is required, order the part number "LE-CSN□" separately.
- * If an I/O cable is required, order the part number "LEC-CSN□-1" separately.
(Since the electric actuator will not operate without emergency stop (EMG) wiring for the LECSB, an I/O connector or an I/O cable is required.)

Compatible motor type

Symbol	Type	Capacity	Encoder
S1	AC servo motor (S2*1)	100 W	Incremental
S3	AC servo motor (S3*1)	200 W	
S4	AC servo motor (S4*1)*2	400 W	
S5	AC servo motor (S6*1)	100 W	Absolute
S7	AC servo motor (S7*1)	200 W	
S8	AC servo motor (S8*1)*2	400 W	

*1 The symbol shows the motor type (actuator).

*2 Only available for power supply voltage "200 to 230 VAC"

For LECSB-T/LECSC-T/LECSS-T

LECS B 2 - T5

Driver type

B	Pulse input type/Positioning type (For absolute encoder)
C	CC-Link direct input type (For absolute encoder)
S	SSCNET III/H type (For absolute encoder)

Power supply voltage

2	200 to 240 VAC, 50/60 Hz (For LECSB2-T/LECSS2-T) 200 to 230 VAC, 50/60 Hz (For LECSC2-T)
---	---



- * If an I/O connector is required, order the part number "LE-CSN□" separately.
- * If an I/O cable is required, order the part number "LEC-CSN□-1" separately.
(Since the electric actuator will not operate without forced stop (EM2) wiring when using the LECSB-T in any mode other than positioning mode, an I/O connector or an I/O cable is required.)

Compatible motor type

Symbol	Type	Capacity	Encoder
T5	AC servo motor (T6*1)	100 W	Absolute
T7	AC servo motor (T7*1)	200 W	
T8	AC servo motor (T8*1)	400 W	
T9	AC servo motor (T9*1)	750 W	

*1 The symbol shows the motor type (actuator).

For LECSN-T

LECS N 2 - T5 - 9

Driver type

N	Network card type (For absolute encoder)
---	---

Power supply voltage

2	200 to 240 VAC, 50/60 Hz
---	--------------------------

Compatible motor type

Symbol	Type	Capacity	Encoder
T5	AC servo motor (T6*1)	100 W	Absolute
T7	AC servo motor (T7*1)	200 W	
T8	AC servo motor (T8*1)	400 W	
T9	AC servo motor (T9*1)	750 W	

*1 The symbol shows the motor type (actuator).

Network card type*1

Nil	Without network card
E	EtherCAT®
9	EtherNet/IP™
P	PROFINET

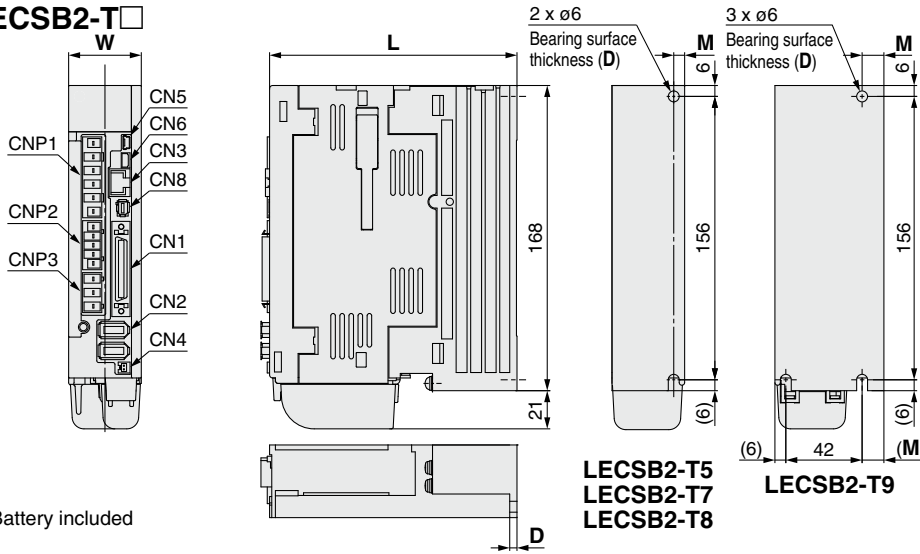
*1 Only the "Without network card" option is UL compliant.



LECS□/LECS□-T Series

Dimensions

LECSB2-T□



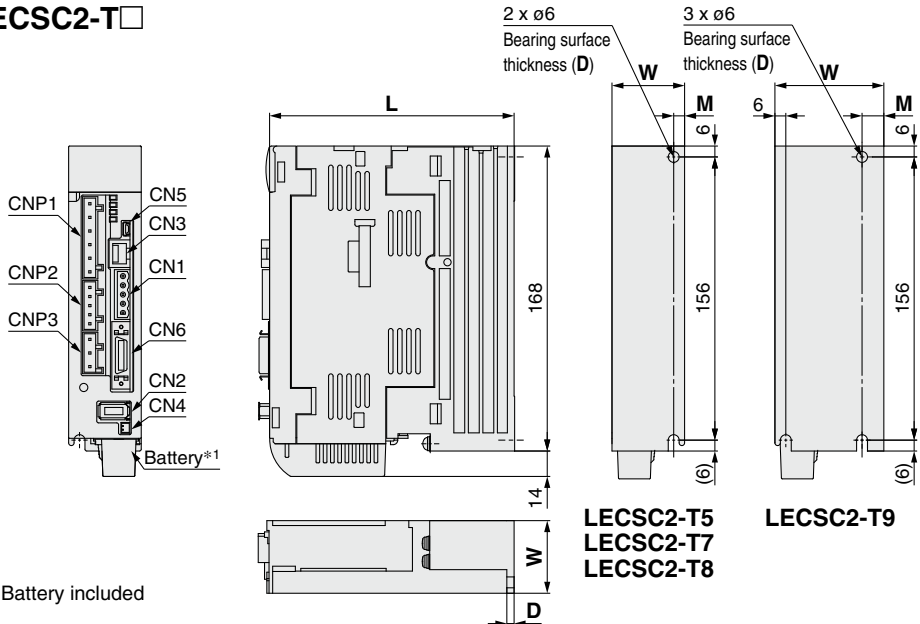
* Battery included

Connector name	Description
CN1	I/O signal connector
CN2	Encoder connector
CN3	RS-422 communication connector
CN4	Battery connector
CN5	USB communication connector
CN6	Analog monitor connector
CN8	STO input signal connector
CNP1	Main circuit power supply connector
CNP2	Control circuit power supply connector
CNP3	Servo motor power connector

Dimensions [mm]

Model	W	L	D	M
LECSB2-T5	40	135	4	6
LECSB2-T7				
LECSB2-T8		170	5	
LECSB2-T9	60	185	6	12

LECSC2-T□



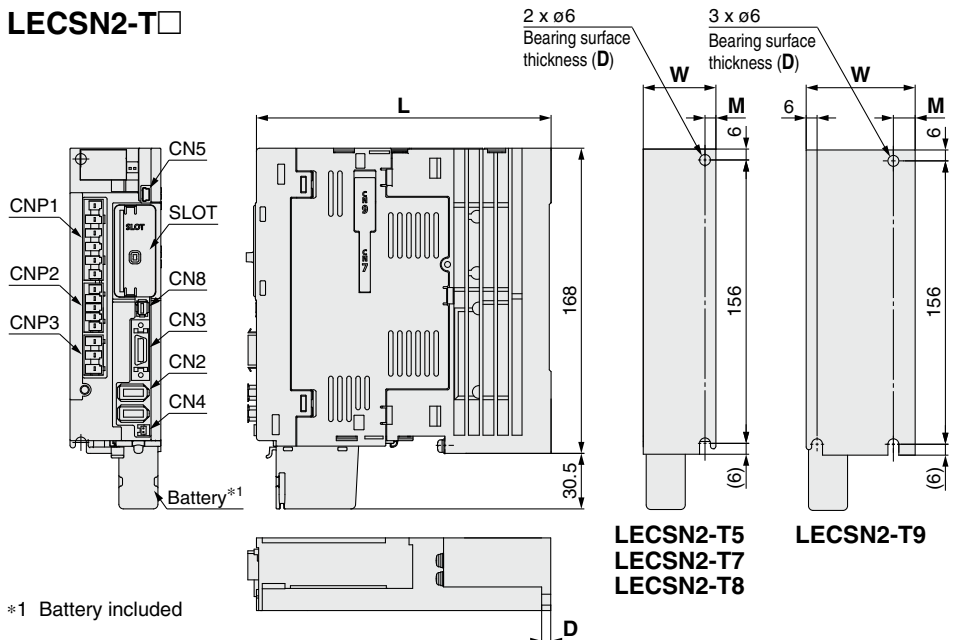
*1 Battery included

Connector name	Description
CN1	CC-Link connector
CN2	Encoder connector
CN3	RS-422 communication connector
CN4	Battery connector
CN5	USB communication connector
CN6	I/O signal connector
CNP1	Main circuit power supply connector
CNP2	Control circuit power supply connector
CNP3	Servo motor power connector

Dimensions [mm]

Model	W	L	D	M
LECSC2-T5	40	135	4	6
LECSC2-T7				
LECSC2-T8		170	5	
LECSC2-T9	60	185	6	12

LECSN2-T□



*1 Battery included

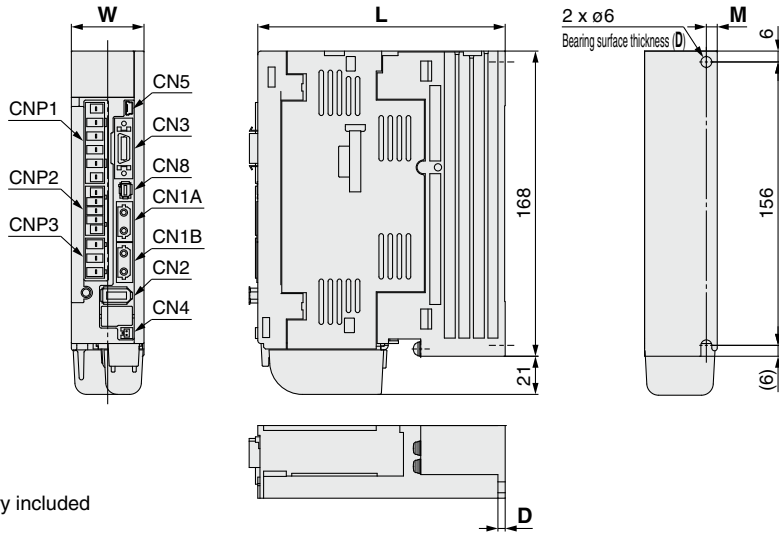
Connector name	Description
CN3	I/O signal connector
CN2	Encoder connector
CN4	Battery connector
CN5	USB communication connector
CN8	STO input signal connector
CNP1	Main circuit power supply connector
CNP2	Control circuit power supply connector
CNP3	Servo motor power connector
SLOT	Network card slot

Dimensions [mm]

Model	W	L	D	M
LECSN2-T5	50	161	5	6
LECSN2-T7				
LECSN2-T8				
LECSN2-T9	60	191	6	12

Dimensions

LECSS2-T□



* Battery included

Connector name	Description
CN1A	Front axis connector for SSCNET III/H
CN1B	Rear axis connector for SSCNET III/H
CN2	Encoder connector
CN3	I/O signal connector
CN4	Battery connector
CN5	USB communication connector
CN8	STO input signal connector
CNP1	Main circuit power supply connector
CNP2	Control circuit power supply connector
CNP3	Servo motor power connector

Dimensions [mm]				
Model	W	L	D	M
LECSS2-T5	40	135	4	6
LECSS2-T7		170	5	
LECSS2-T8	60	185	6	12
LECSS2-T9				

Model Selection

Step Motor (Servo/24 VDC)/Servo Motor (24 VDC)
LEYG

AC Servo Motor
LEYG

Environment
25A-LEYG

Environment
LEYG-X7

Environment
LEYG-X5

Environment
LEYG-X3

Environment
LEYG-X1

Environment
LEYG-X0

Environment
LEYG-X2

Environment
LEYG-X4

Environment
LEYG-X6

Environment
LEYG-X8

Environment
LEYG-X9

Environment
LEYG-X10

Environment
LEYG-X11

LECS□/LECS□-T Series

Specifications

LECSA Series

Model		LECSA1-S1	LECSA1-S3	LECSA2-S1	LECSA2-S3	LECSA2-S4
Compatible motor capacity [W]		100	200	100	200	400
Compatible encoder		Incremental 17-bit encoder (Resolution: 131072 p/rev)				
Main power supply	Power voltage [V]	Single phase 100 to 120 VAC (50/60 Hz)		Single phase 200 to 230 VAC (50/60 Hz)		
	Allowable voltage fluctuation [V]	Single phase 85 to 132 VAC		Single phase 170 to 253 VAC		
	Rated current [A]	3.0	5.0	1.5	2.4	4.5
Control power supply	Control power supply voltage [V]	24 VDC				
	Allowable voltage fluctuation [V]	21.6 to 26.4 VDC				
	Rated current [A]	0.5				
Parallel input		6 inputs				
Parallel output		4 outputs				
Max. input pulse frequency [pps]		1 M (for differential receiver), 200 k (for open collector)*2				
Function	In-position range setting [pulse]	0 to ±65535 (Command pulse unit)				
	Error excessive	±3 rotations				
	Torque limit	Parameter setting				
	Communication	USB communication				
Point table		Up to 7 points				
Operating temperature range [°C]		0 to 55 (No freezing)				
Operating humidity range [%RH]		90 or less (No condensation)				
Storage temperature range [°C]		-20 to 65 (No freezing)				
Storage humidity range [%RH]		90 or less (No condensation)				
Insulation resistance [MΩ]		Between the housing and SG: 10 (500 VDC)				
Weight [g]		600				700

LECSB Series

Model		LECSB1-S5	LECSB1-S7	LECSB2-S5	LECSB2-S7	LECSB2-S8
Compatible motor capacity [W]		100	200	100	200	400
Compatible encoder		Absolute 18-bit encoder (Resolution: 262144 p/rev)				
Main power supply	Power voltage [V]	Single phase 100 to 120 VAC (50/60 Hz)		Three phase 200 to 230 VAC (50/60 Hz) Single phase 200 to 230 VAC (50/60 Hz)		
	Allowable voltage fluctuation [V]	Single phase 85 to 132 VAC		Three phase 170 to 253 VAC Single phase 170 to 253 VAC		
	Rated current [A]	3.0	5.0	0.9	1.5	2.6
Control power supply	Control power supply voltage [V]	Single phase 100 to 120 VAC (50/60 Hz)		Single phase 200 to 230 VAC (50/60 Hz)		
	Allowable voltage fluctuation [V]	Single phase 85 to 132 VAC		Single phase 170 to 253 VAC		
	Rated current [A]	0.4		0.2		
Parallel input		10 inputs				
Parallel output		6 outputs				
Max. input pulse frequency [pps]		1 M (for differential receiver), 200 k (for open collector)*2				
Function	In-position range setting [pulse]	0 to ±10000 (Command pulse unit)				
	Error excessive	±3 rotations				
	Torque limit	Parameter setting or external analog input setting (0 to 10 VDC)				
	Communication	USB communication, RS422 communication*1				
Operating temperature range [°C]		0 to 55 (No freezing)				
Operating humidity range [%RH]		90 or less (No condensation)				
Storage temperature range [°C]		-20 to 65 (No freezing)				
Storage humidity range [%RH]		90 or less (No condensation)				
Insulation resistance [MΩ]		Between the housing and SG: 10 (500 VDC)				
Weight [g]		800				1000

*1 USB communication and RS422 communication cannot be performed at the same time.

*2 If the command pulse input is open collector method, it supports only the sink (NPN) type interface. It does not correspond to the source (PNP) type interface.

Specifications

LECS Series

Model		LECS1-S5	LECS1-S7	LECS2-S5	LECS2-S7	LECS2-S8	
Compatible motor capacity [W]		100	200	100	200	400	
Compatible encoder		Absolute 18-bit encoder (Resolution: 262144 p/rev)					
Main power supply	Power voltage [V]	Single phase 100 to 120 VAC (50/60 Hz)		Three phase 200 to 230 VAC (50/60 Hz) Single phase 200 to 230 VAC (50/60 Hz)			
	Allowable voltage fluctuation [V]	Single phase 85 to 132 VAC		Three phase 170 to 253 VAC Single phase 170 to 253 VAC			
	Rated current [A]	3.0	5.0	0.9	1.5	2.6	
Control power supply	Control power supply voltage [V]	Single phase 100 to 120 VAC (50/60 Hz)		Single phase 200 to 230 VAC (50/60 Hz)			
	Allowable voltage fluctuation [V]	Single phase 85 to 132 VAC		Single phase 170 to 253 VAC			
	Rated current [A]	0.4		0.2			
Communication specifications	Applicable Fieldbus protocol (Version)		CC-Link communication (Ver. 1.10)				
	Connection cable		CC-Link Ver. 1.10 compliant cable (Shielded 3-core twisted pair cable)*1				
	Remote station number		1 to 64				
	Cable length	Communication speed [bps]/ Max. overall cable length [m]	16 k/1200, 625 k/900, 2.5 M/400, 5 M/160, 10 M/100				
		Cable length between stations [m]	0.2 or more				
	I/O occupation area (Inputs/Outputs)		1 station occupied (Remote I/O 32 points/32 points)/(Remote register 4 words/4 words) 2 stations occupied (Remote I/O 64 points/64 points)/(Remote register 8 words/8 words)				
Number of connectable drivers		Up to 42 (when 1 station is occupied by 1 driver), Up to 32 (when 2 stations are occupied by 1 driver), when there are only remote device stations.					
Command method	Remote register input		Available with CC-Link communication (2 stations occupied)				
	Point table No. input		Available with CC-Link communication, RS422 communication CC-Link communication (1 station occupied): 31 points CC-Link communication (2 stations occupied): 255 points RS422 communication: 255 points				
	Indexer positioning input		Available with CC-Link communication CC-Link communication (1 station occupied): 31 points CC-Link communication (2 stations occupied): 255 points				
Communication function		USB communication, RS-422 communication*2					
Operating temperature range [°C]		0 to 55 (No freezing)					
Operating humidity range [%RH]		90 or less (No condensation)					
Storage temperature range [°C]		-20 to 65 (No freezing)					
Storage humidity range [%RH]		90 or less (No condensation)					
Insulation resistance [MΩ]		Between the housing and SG: 10 (500 VDC)					
Weight [g]		800				1000	

*1 If the system comprises of both CC-Link Ver. 1.00 and Ver. 1.10 compliant cables, Ver. 1.00 specifications are applied to the overall cable length and the cable length between stations.

*2 USB communication and RS422 communication cannot be performed at the same time.

LECS Series

Model		LECS1-S5	LECS1-S7	LECS2-S5	LECS2-S7	LECS2-S8
Compatible motor capacity [W]		100	200	100	200	400
Compatible encoder		Absolute 18-bit encoder (Resolution: 262144 p/rev)				
Main power supply	Power voltage [V]	Single phase 100 to 120 VAC (50/60 Hz)		Three phase 200 to 230 VAC (50/60 Hz) Single phase 200 to 230 VAC (50/60 Hz)		
	Allowable voltage fluctuation [V]	Single phase 85 to 132 VAC		Three phase 170 to 253 VAC Single phase 170 to 253 VAC		
	Rated current [A]	3.0	5.0	0.9	1.5	2.6
Control power supply	Control power supply voltage [V]	Single phase 100 to 120 VAC (50/60 Hz)		Single phase 200 to 230 VAC (50/60 Hz)		
	Allowable voltage fluctuation [V]	Single phase 85 to 132 VAC		Single phase 170 to 253 VAC		
	Rated current [A]	0.4		0.2		
Applicable Fieldbus protocol		SSCNET III (High-speed optical communication)				
Communication function		USB communication				
Operating temperature range [°C]		0 to 55 (No freezing)				
Operating humidity range [%RH]		90 or less (No condensation)				
Storage temperature range [°C]		-20 to 65 (No freezing)				
Storage humidity range [%RH]		90 or less (No condensation)				
Insulation resistance [MΩ]		Between the housing and SG: 10 (500 VDC)				
Weight [g]		800				1000

Model Selection
 LEY
 LEYG
 LEY
 LEYG
 LEY-X7
 LEY-X5
 25A-LEY
 JXC51/61
 LECA6
 LECS-G
 LECP1
 LECPA
 JXC□
 LECS□
 LECS□
 Specific Product Precautions

LECS□/LECS□-T Series

Specifications

LECSB-T Series

Model		LECSB2-T5	LECSB2-T7	LECSB2-T8	LECSB2-T9
Compatible motor capacity [W]		100	200	400	750
Compatible encoder		Absolute 22-bit encoder (Resolution: 4194304 p/rev)			
Main power supply	Power voltage [V]	Three phase 200 to 240 VAC (50/60 Hz), Single phase 200 to 240 VAC (50/60 Hz)			
	Allowable voltage fluctuation [V]	Three phase 170 to 264 VAC (50/60 Hz), Single phase 170 to 264 VAC (50/60 Hz)			
	Rated current [A]	0.9	1.5	2.6	3.8
Control power supply	Control power supply voltage [V]	Single phase 200 to 240 VAC (50/60 Hz)			
	Allowable voltage fluctuation [V]	Single phase 170 to 264 VAC			
	Rated current [A]	0.2			
Parallel input		10 inputs			
Parallel output		6 outputs			
Max. input pulse frequency [pps]		4 M (for differential receiver), 200 k (for open collector)			
Function	In-position range setting [pulse]	0 to ±65535 (Command pulse unit)			
	Error excessive	±3 rotations			
	Torque limit	Parameter setting or external analog input setting (0 to 10 VDC)			
	Communication	USB communication, RS422 communication*1			
	Point table	Up to 255 points			
Pushing operation		Point table no. input method, Up to 127 points			
Operating temperature range [°C]		0 to 55 (No freezing)			
Operating humidity range [%RH]		90 or less (No condensation)			
Storage temperature range [°C]		-20 to 65 (No freezing)			
Storage humidity range [%RH]		90 or less (No condensation)			
Insulation resistance [MΩ]		Between the housing and SG: 10 (500 VDC)			
Safety function		STO (IEC/EN 61800-5-2)			
Safety standards*2		EN ISO 13849-1 Category 3 PL e, IEC 61508 SIL 3, EN 62061 SIL CL3, EN 61800-5-2			
Weight [g]		800	1000	1400	

*1 USB communication and RS422 communication cannot be performed at the same time.

*2 The safety level depends on the set value of the driver parameter [Pr. PF18 STO diagnosis error detection time] and whether STO input diagnosis by TOFB output is performed or not. Refer to the LECSB-T operation manual for details.

LECSC-T Series

Model		LECSC2-T5	LECSC2-T7	LECSC2-T8	LECSC2-T9
Compatible motor capacity [W]		100	200	400	750
Compatible encoder		Absolute 18-bit encoder (Resolution: 262144 p/rev)			
Main power supply	Power voltage [V]	Three phase 200 to 230 VAC (50/60 Hz), Single phase 200 to 230 VAC (50/60 Hz)			
	Allowable voltage fluctuation [V]	Three phase 170 to 253 VAC, Single phase 170 to 253 VAC			
	Rated current [A]	0.9	1.5	2.6	3.8
Control power supply	Control power supply voltage [V]	Single phase 200 to 230 VAC (50/60 Hz)			
	Allowable voltage fluctuation [V]	Single phase 170 to 253 VAC			
	Rated current [A]	0.2			
Communication specifications	Applicable Fieldbus protocol (Version)		CC-Link communication (Ver. 1.10)		
	Connection cable		CC-Link Ver. 1.10 compliant cable (Shielded 3-core twisted pair cable)*1		
	Remote station number		1 to 64		
	Cable length	Communication speed [bps]/ Max. overall cable length [m]	16 k/1200, 625 k/900, 2.5 M/400, 5 M/160, 10 M/100		
		Cable length between stations [m]	0.2 or more		
	I/O occupation area (Inputs/Outputs)		1 station occupied (Remote I/O 32 points/32 points)/(Remote register 4 words/4 words) 2 stations occupied (Remote I/O 64 points/64 points)/(Remote register 8 words/8 words)		
	Number of connectable drivers		Up to 42 (when 1 station is occupied by 1 driver), Up to 32 (when 2 stations are occupied by 1 driver), when there are only remote device stations.		
Command method	Remote register input		Available with CC-Link communication (2 stations occupied)		
	Point table No. input		Available with CC-Link communication, RS422 communication CC-Link communication (1 station occupied): 31 points, CC-Link communication (2 stations occupied): 255 points RS422 communication: 255 points		
	Indexer positioning input		Available with CC-Link communication CC-Link communication (1 station occupied): 31 points, CC-Link communication (2 stations occupied): 255 points		
Communication function		USB communication, RS-422 communication*2			
Operating temperature range [°C]		0 to 55 (No freezing)			
Operating humidity range [%RH]		90 or less (No condensation)			
Storage temperature range [°C]		-20 to 65 (No freezing)			
Storage humidity range [%RH]		90 or less (No condensation)			
Insulation resistance [MΩ]		Between the housing and SG: 10 (500 VDC)			
Weight [g]		800	1000	1400	

*1 If the system comprises of both CC-Link Ver. 1.00 and Ver. 1.10 compliant cables, Ver. 1.00 specifications are applied to the overall cable length and the cable length between stations.

*2 USB communication and RS422 communication cannot be performed at the same time.

Specifications

LECSN-T Series

Model		LECSN2-T5	LECSN2-T7	LECSN2-T8	LECSN2-T9
Compatible motor capacity [W]		100	200	400	750
Compatible encoder		Absolute 22-bit encoder (Resolution: 4194304 p/rev)			
Main power supply	Power voltage [V]	Three phase 200 to 240 VAC (50/60 Hz), Single phase 200 to 240 VAC (50/60 Hz)			
	Allowable voltage fluctuation [V]	Three phase 170 to 264 VAC (50/60 Hz), Single phase 170 to 264 VAC (50/60 Hz)			
	Rated current [A]	0.9	1.5	2.6	3.8
Control power supply	Control power supply voltage [V]	Single phase 200 to 240 VAC (50/60 Hz)			
	Allowable voltage fluctuation [V]	Single phase 170 to 264 VAC			
	Rated current [A]	0.2			
Applicable Fieldbus protocol		PROFINET, EtherCAT®, EtherNet/IP™			
Function	Communication	USB communication			
	Point table*1	Up to 255 points			
Operating temperature range [°C]		0 to 55 (No freezing)			
Operating humidity range [%RH]		90 or less (No condensation)			
Storage temperature range [°C]		-20 to 65 (No freezing)			
Storage humidity range [%RH]		90 or less (No condensation)			
Insulation resistance [MΩ]		Between the housing and SG: 10 (500 VDC)			
Safety function		STO (IEC/EN 61800-5-2)			
Safety standards*2		EN ISO 13849-1 Category 3 PL e, IEC 61508 SIL 3, EN 62061 SIL CL3, EN 61800-5-2			
Weight [g]		1000			1400

*1 Only supports PROFINET and EtherCAT®

*2 The safety level depends on the set value of the driver parameter [Pr. PF18 STO diagnosis error detection time] and whether STO input diagnosis by TOFB output is performed or not. Refer to the LECSN-T operation manual for details.

LECSS-T Series

Model		LECSS2-T5	LECSS2-T7	LECSS2-T8	LECSS2-T9
Compatible motor capacity [W]		100	200	400	750
Compatible encoder		Absolute 22-bit encoder (Resolution: 4194304 p/rev)			
Main power supply	Power voltage [V]	Three phase 200 to 240 VAC (50/60 Hz), Single phase 200 to 240 VAC (50/60 Hz)			
	Allowable voltage fluctuation [V]	Three phase 170 to 264 VAC (50/60 Hz), Single phase 170 to 264 VAC (50/60 Hz)			
	Rated current [A]	0.9	1.5	2.6	3.8
Control power supply	Control power supply voltage [V]	Single phase 200 to 240 VAC (50/60 Hz)			
	Allowable voltage fluctuation [V]	Single phase 170 to 264 VAC			
	Rated current [A]	0.2			
Applicable Fieldbus protocol		SSCNET III/H (High-speed optical communication)			
Communication function		USB communication			
Operating temperature range [°C]		0 to 55 (No freezing)			
Operating humidity range [%RH]		90 or less (No condensation)			
Storage temperature range [°C]		-20 to 65 (No freezing)			
Storage humidity range [%RH]		90 or less (No condensation)			
Insulation resistance [MΩ]		Between the housing and SG: 10 (500 VDC)			
Safety function		STO (IEC/EN 61800-5-2)			
Safety standards*1		EN ISO 13849-1 Category 3 PL d, EN 61508 SIL 2, EN 62061 SIL CL2, EN 61800-5-2			
Weight [g]		800		1000	1400

*1 Refer to the LECSS-T operation manual for details.

Model Selection

Step Motor (Servo/24 VDC)/Servo Motor (24 VDC)
LECY
LEYG

AC Servo Motor
LECY
LEYG

Environment
LECY-X7
LECY-X5
25A-LECY

JXC51/61
LECA6
LECG
LECP1
LECPA

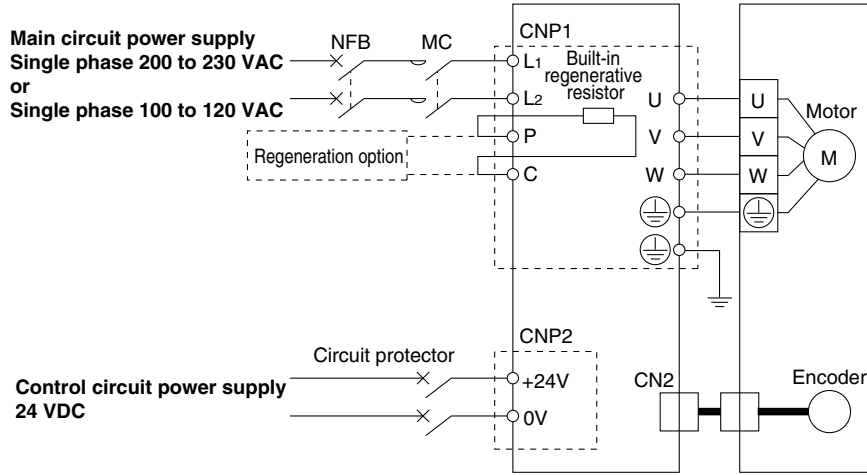
JXC□
LECS□
LECY□

Specific Product Precautions

LECS□/LECS□-T Series

Power Supply Wiring Example: LECSA

LECSA□-□

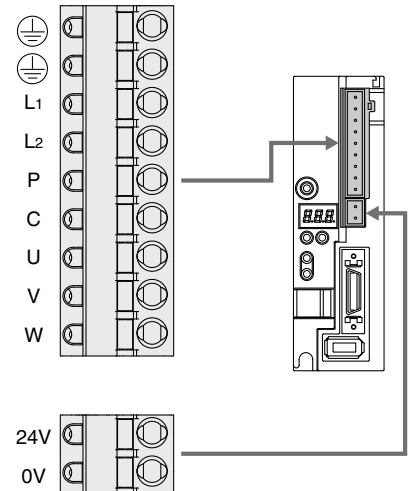


Main Circuit Power Supply Connector: CNP1 * Accessory

Terminal name	Function	Details
	Protective earth (PE)	Should be grounded by connecting the servo motor's earth terminal and the control panel's protective earth (PE)
L1	Main circuit power supply	Connect the main circuit power supply. LECSA1: Single phase 100 to 120 VAC, 50/60 Hz LECSA2: Single phase 200 to 230 VAC, 50/60 Hz
L2		
P	Regeneration option	Terminal to connect regeneration option LECSA□-S1: Not connected at time of shipping LECSA□-S3, S4: Connected at time of shipping * If regeneration option is required for "Model Selection," connect to this terminal.
C		
U	Servo motor power (U)	Connect to motor cable (U, V, W).
V	Servo motor power (V)	
W	Servo motor power (W)	

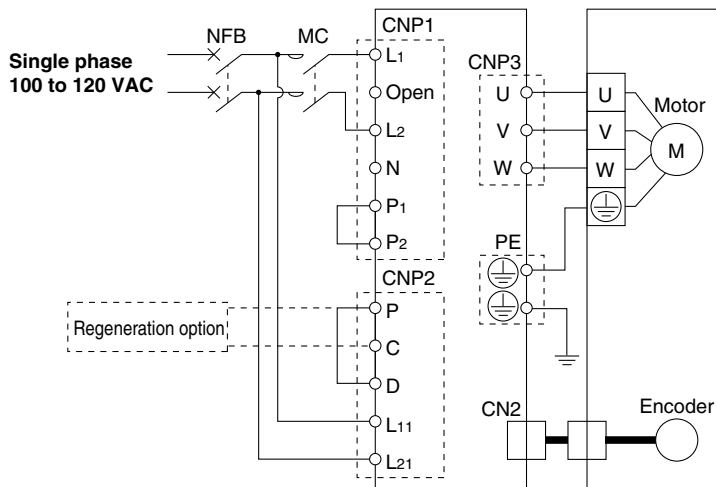
Control Circuit Power Supply Connector: CNP2 * Accessory

Terminal name	Function	Details
24V	Control circuit power supply (24 V)	24 V side of the control circuit power supply (24 VDC) supplied to the driver
0V	Control circuit power supply (0 V)	0 V side of the control circuit power supply (24 VDC) supplied to the driver



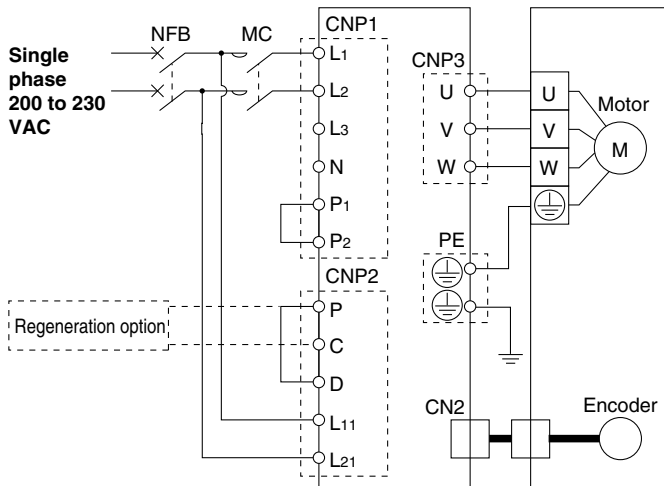
Power Supply Wiring Example: LECSB, LECS□, LECS□-T

LECSB1-□
LECS□1-□
LECS□1-□

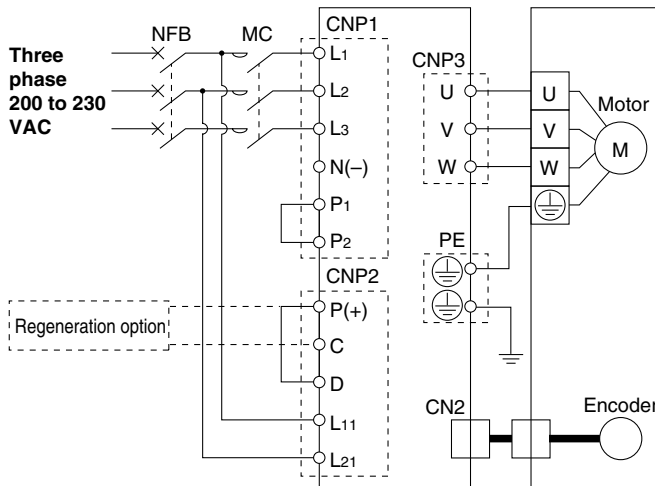


LECSB2-□
LECS□2-□
LECS□2-□

For single phase 200 VAC



For three phase 200 VAC



* For single phase 200 to 230 VAC, power supply should be connected to L1 and L2 terminals, with nothing connected to L3.

Main Circuit Power Supply Connector: CNP1 * Accessory

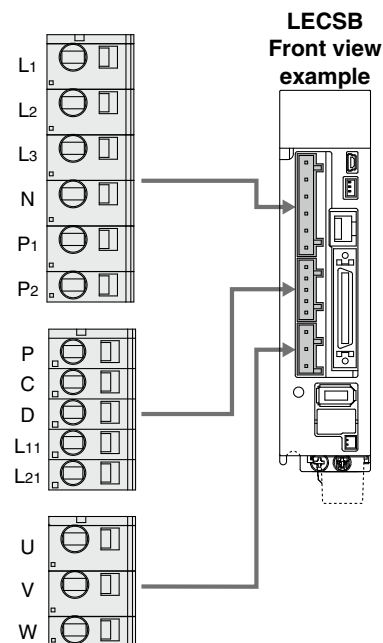
Terminal name	Function	Details
L1	Main circuit power supply	Connect the main circuit power supply. LECSB1/LECS□1/LECS□1: Single phase 100 to 120 VAC, 50/60 Hz Connection terminal: L1, L2 LECSB2/LECS□2/LECS□2: Single phase 200 to 230 VAC, 50/60 Hz Connection terminal: L1, L2 Three phase 200 to 230 VAC, 50/60 Hz Connection terminal: L1, L2, L3
L2		
L3		
N	Do not connect.	
P1	Connect between P1 and P2. (Connected at time of shipping)	
P2		

Control Circuit Power Supply Connector: CNP2 * Accessory

Terminal name	Function	Details
P	Regeneration option	Connect between P and D. (Connected at time of shipping) * If regeneration option is required for "Model Selection," connect to this terminal.
C		
D		
L11	Control circuit power supply	Connect the control circuit power supply. LECSB1/LECS□1/LECS□1: Single phase 100 to 120 VAC, 50/60 Hz Connection terminal: L11, L21 LECSB2/LECS□2/LECS□2: Single phase 200 to 230 VAC, 50/60 Hz Connection terminal: L11, L21
L21		

Motor Connector: CNP3 * Accessory

Terminal name	Function	Details
U	Servo motor power (U)	Connect to motor cable (U, V, W).
V	Servo motor power (V)	
W	Servo motor power (W)	

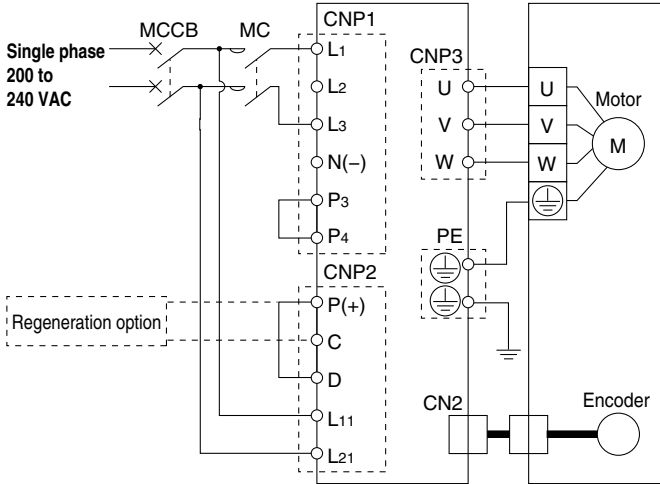


Model Selection
 LEY
 LEYG
 LEY
 LEYG
 Environment
 LEY-X7
 LEY-X5
 25A-LEY
 JXC51/61
 LECA6
 LECS-G
 LECP1
 LECPA
 JXC□
 LECS□
 LECS□
 LECS□-T
 Step Motor (Servo/24 VDC)/Servo Motor (24 VDC)
 AC Servo Motor
 AC Servo Motor (Servo/24 VDC)

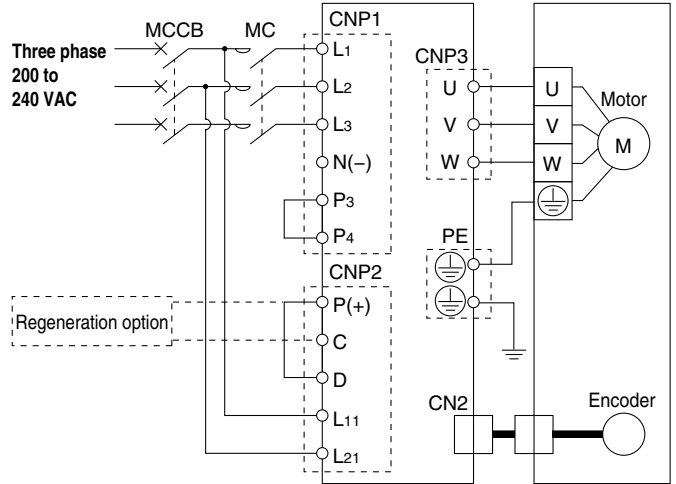
LECS□/LECS□-T Series

Power Supply Wiring Example: LECSB2-T□, LECSS2-T□, LECSN2-T□

For single phase 200 VAC



For three phase 200 VAC



* For single phase 200 to 240 VAC, power supply should be connected to L1 and L3 terminals, with nothing connected to L2. Please note that the wiring locations differ from the LECS□.

Main Circuit Power Supply Connector: CNP1 * Accessory

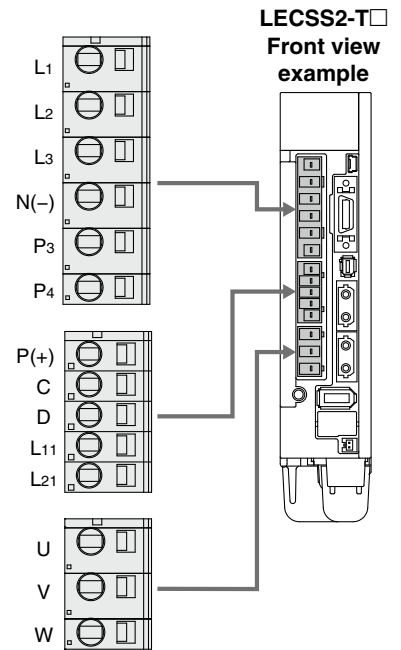
Terminal name	Function	Details
L1	Main circuit power supply	Connect the main circuit power supply. LECSB2-T/LECSS2-T/LECSN2-T: Single phase 200 to 240 VAC, 50/60 Hz Connection terminal: L1, L3 Three phase 200 to 240 VAC, 50/60 Hz Connection terminal: L1, L2, L3
L2		
L3		
N(-)	Do not connect.	
P3	Connect between P3 and P4. (Connected at time of shipping)	
P4		

Control Circuit Power Supply Connector: CNP2 * Accessory

Terminal name	Function	Details
P(+)	Regeneration option	Connect between P(+) and D. (Connected at time of shipping) * If regeneration option is required for "Model Selection," connect to this terminal.
C		
D		
L11	Control circuit power supply	Connect the control circuit power supply. LECSB2-T/LECSS2-T/LECSN2-T: Single phase 200 to 240 VAC, 50/60 Hz Connection terminal: L11, L21
L21		

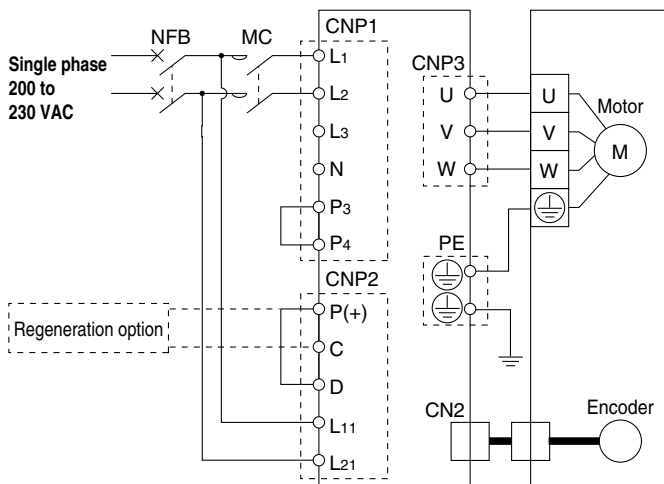
Motor Connector: CNP3 * Accessory

Terminal name	Function	Details
U	Servo motor power (U)	Connect to motor cable (U, V, W).
V	Servo motor power (V)	
W	Servo motor power (W)	

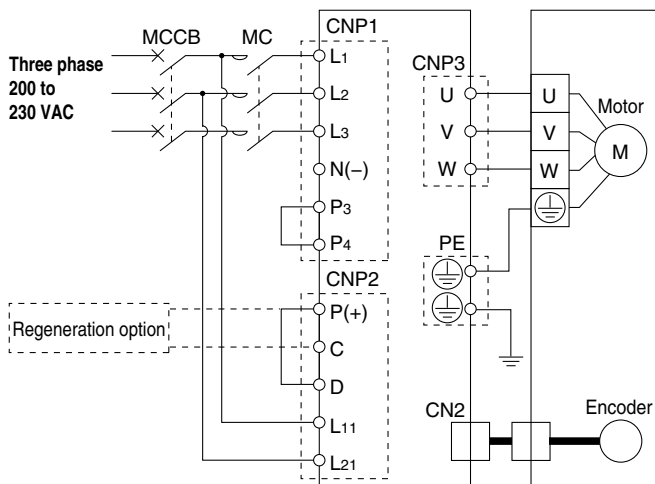


Power Supply Wiring Example: LECS2-T□

For single phase 200 VAC



For three phase 200 VAC



* For single phase 200 to 230 VAC, power supply should be connected to L1 and L2 terminals, with nothing connected to L3.

Main Circuit Power Supply Connector: CNP1 * Accessory

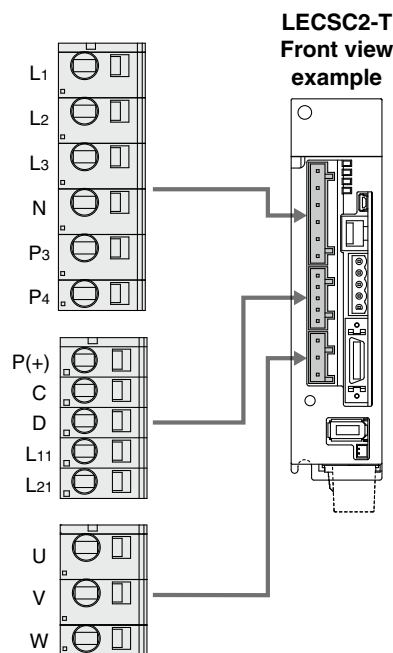
Terminal name	Function	Details
L1	Main circuit power supply	Connect the main circuit power supply. LECS2-T: Single phase 200 to 230 VAC, 50/60 Hz Connection terminal: L1, L2 Three phase 200 to 230 VAC, 50/60 Hz Connection terminal: L1, L2, L3
L2		
L3		
N	Do not connect.	
P3	Connect between P3 and P4. (Connected at time of shipping)	
P4		

Control Circuit Power Supply Connector: CNP2 * Accessory

Terminal name	Function	Details
P(+)	Regeneration option	Connect between P and D. (Connected at time of shipping) * If regeneration option is required for "Model Selection," connect to this terminal.
C		
D		
L11	Control circuit power supply	Connect the control circuit power supply. LECS2-T: Single phase 200 to 230 VAC, 50/60 Hz Connection terminal: L11, L21
L21		

Motor Connector: CNP3 * Accessory

Terminal name	Function	Details
U	Servo motor power (U)	Connect to motor cable (U, V, W).
V	Servo motor power (V)	
W	Servo motor power (W)	



Model Selection

Step Motor (Servo/24 VDC)/Servo Motor (24 VDC) LEY

Step Motor (Servo/24 VDC)/Servo Motor (24 VDC) LEYG

AC Servo Motor LEY

AC Servo Motor LEYG

Environment LEY-X7

Environment LEY-X5

Environment 25A-LEY

Environment JXC51/61

Step Motor (Servo/24 VDC)/Servo Motor (24 VDC) LECA6

Step Motor (Servo/24 VDC)/Servo Motor (24 VDC) LEC-G

Step Motor (Servo/24 VDC)/Servo Motor (24 VDC) LEC1

Step Motor (Servo/24 VDC)/Servo Motor (24 VDC) LECPA

Step Motor (Servo/24 VDC)/Servo Motor (24 VDC) JXC□

AC Servo Motor LECS□

AC Servo Motor LECY□

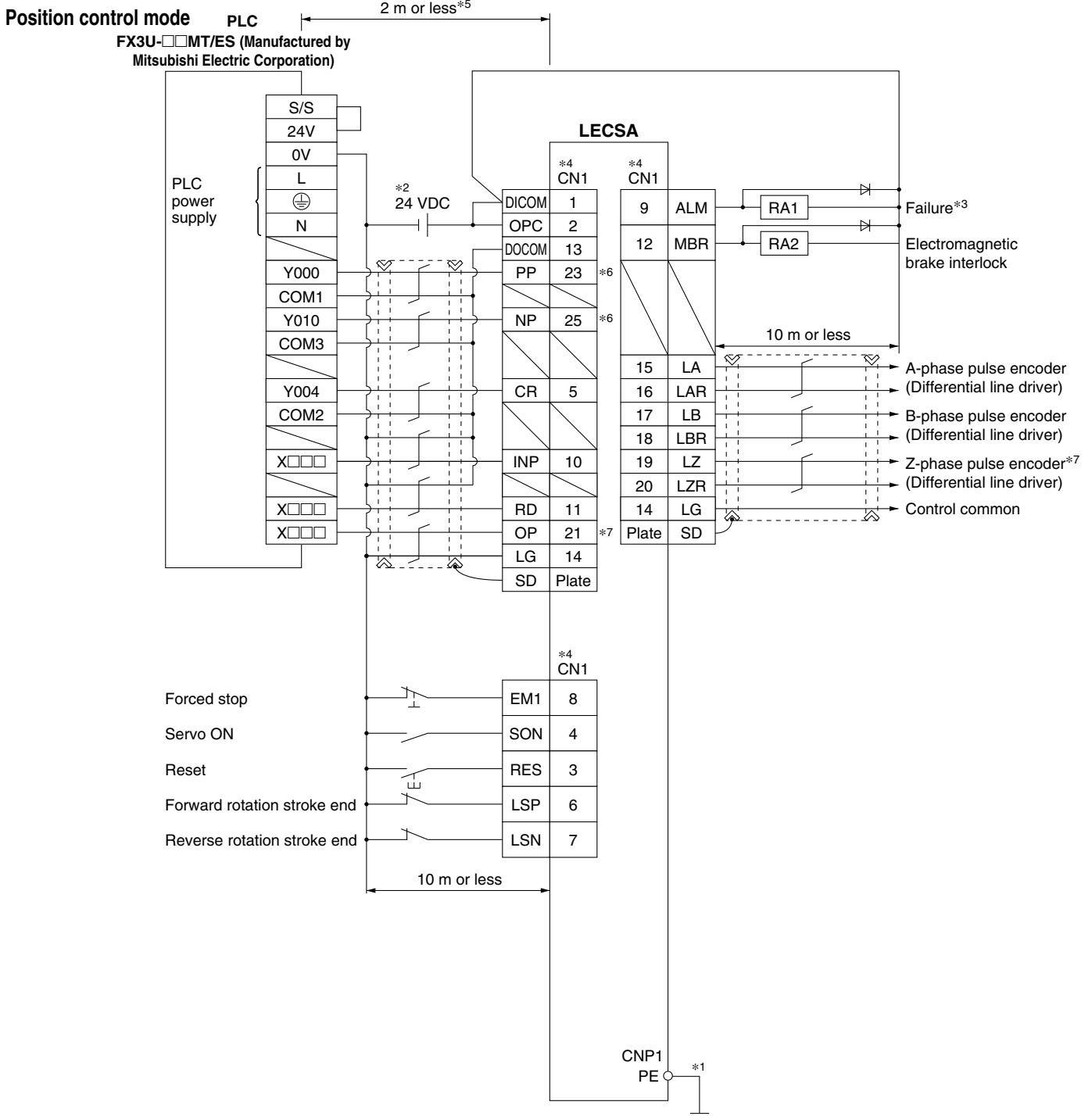
Specific Product Precautions

LECS□/LECS□-T Series

Control Signal Wiring Example: LECSA

LECSA□-□

This wiring example shows connection with a PLC (FX3U-□□MT/ES) manufactured by Mitsubishi Electric Corporation as when used in position control mode. Refer to the LECSA series Operation Manual and any technical literature or operation manuals for your PLC and positioning unit before connecting to another PLC or positioning unit.



*1 For preventing electric shock, be sure to connect the driver main circuit power supply connector (CNP1)'s protective earth (PE) terminal (marked ⊕) to the control panel's protective earth (PE).

*2 For interface use, supply 24 VDC $\pm 10\%$ 200 mA using an external source. 200 mA is the value when all I/O command signals are being used. In addition, reducing the number of inputs/outputs can decrease the current capacity. Refer to the Operation Manual for required current for interface.

*3 The failure (ALM) is normally ON. When it is OFF (alarm occurs), stop the PLC signal using the sequence program.

*4 Signals of the same name are connected inside the driver.

*5 For command pulse input with an open collector method. When a positioning unit loaded with a differential line driver method is used, it is 10 m or less.

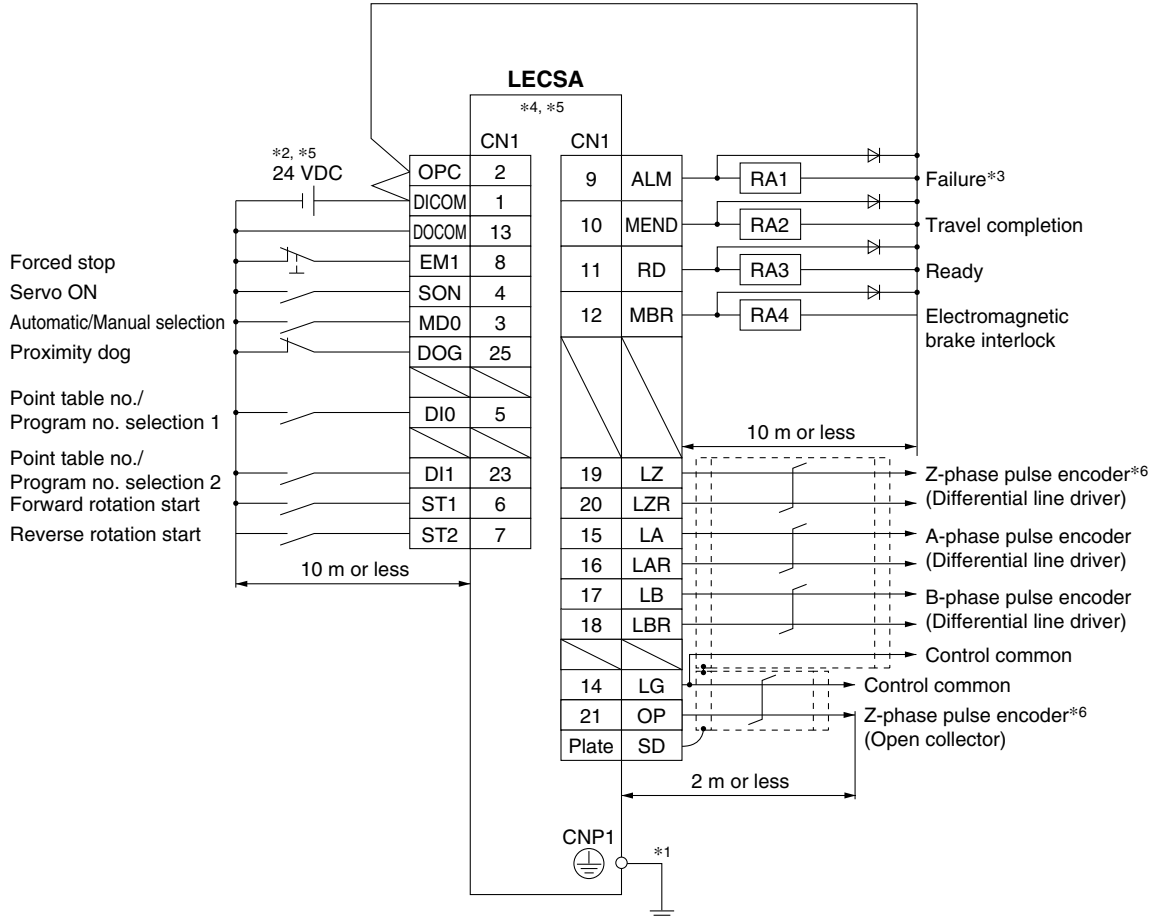
*6 If the command pulse input is open collector method, it supports only the sink (NPN) type interface. It does not correspond to the source (PNP) type interface.

*7 The Z-phase pulse encoder corresponds to the differential line driver method and the open collector method. If the Z-phase pulse encoder is using the open collector method, it supports only the sink (NPN) type interface. It does not correspond to the source (PNP) type interface.

Control Signal Wiring Example: LECSA

In this wiring example, the device of the CN1-10 pin in the initial status has been changed to the device shown below. For details on the device and changing method, refer to the LECSA series Operation Manual.
 CN1-10: MEND (Travel completion)

Positioning mode (Point table method) For sink (NPN) I/O interface



- *1 For preventing electric shock, be sure to connect the driver's protective earth (PE) terminal (marked ⊕) to the control panel's protective earth (PE).
- *2 For interface use, supply 24 VDC ±10% 200 mA using an external source. 200 mA is the value when all I/O command signals are being used. In addition, reducing the number of inputs/outputs can decrease the current capacity.
- *3 The failure (ALM) is normally ON.
- *4 Signals of the same name are connected inside the driver.
- *5 The wiring example is for the sink (NPN) type interface. Refer to the LECSA series Operation Manual for the source (PNP) type interface. Note that the 23 pin and 25 pin cannot be used for the source type interface.
- *6 The Z-phase pulse encoder corresponds to the differential line driver method and the open collector method. If the Z-phase pulse encoder is using the open collector method, it supports only the sink (NPN) type interface. It does not correspond to the source (PNP) type interface.

Model Selection

Step Motor (Servo/24 VDC)/Servo Motor (24 VDC)
LEY

LEYG

LEY

AC Servo Motor
LEYG

Environment
25A-LEY

LEY-X7

JXC51/61

LECA6

LECG

LECP1

LECPA

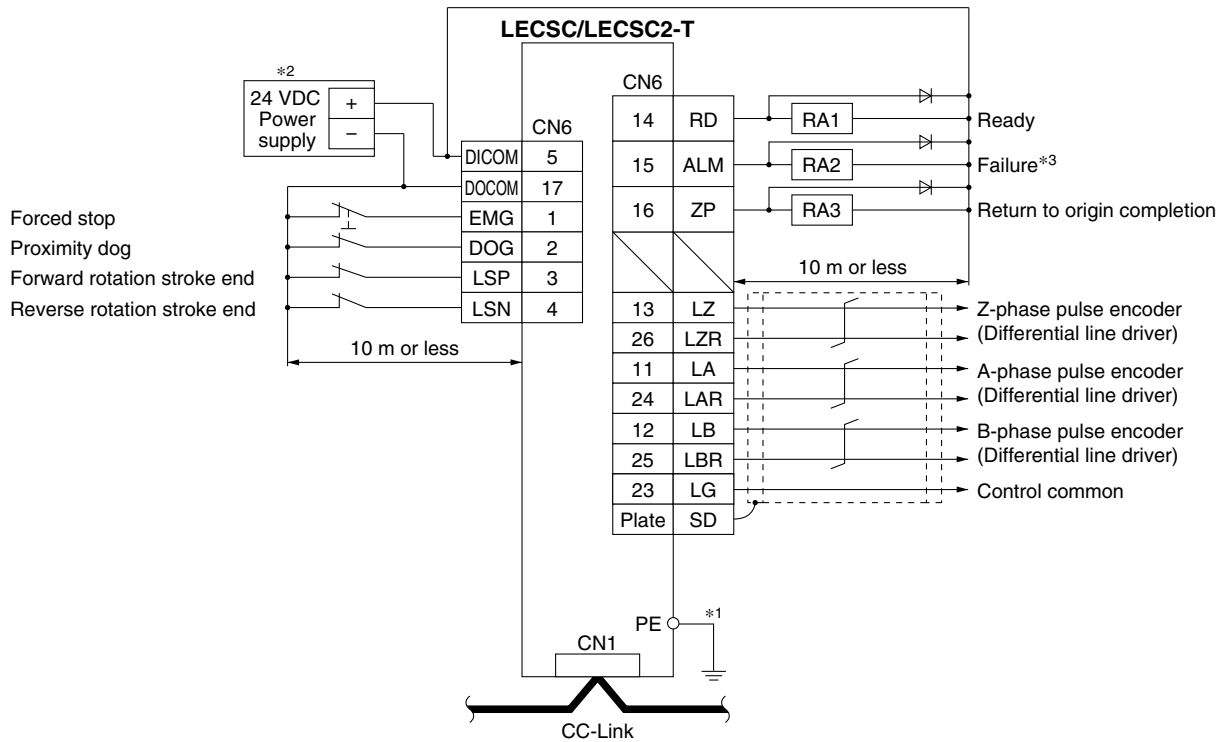
JXC□

AC Servo Motor
LECS□

LECY□

Specific Product
Precautions

Control Signal Wiring Example: LECS□, LECS□-T□



*1 For preventing electric shock, be sure to connect the driver's protective earth (PE) terminal (marked ⊕) to the control panel's protective earth (PE).
 *2 For interface use, supply 24 VDC ±10% 150 mA using an external source.
 *3 The failure (ALM) is normally ON. When it is OFF (alarm occurs), stop the PLC signal using the sequence program.

Model Selection

Step Motor (Servo/24 VDC)/Servo Motor (24 VDC)

LEY

LEYG

LEY

LEY

LEY

LEY

LEYG

LEY

LEY

LEY-X7

Environment

LEY-X5

25A-LEY

JXC51/61

LECA6

LECA6

LEC-G

LECP1

LECPA

JXC□

AC Servo Motor

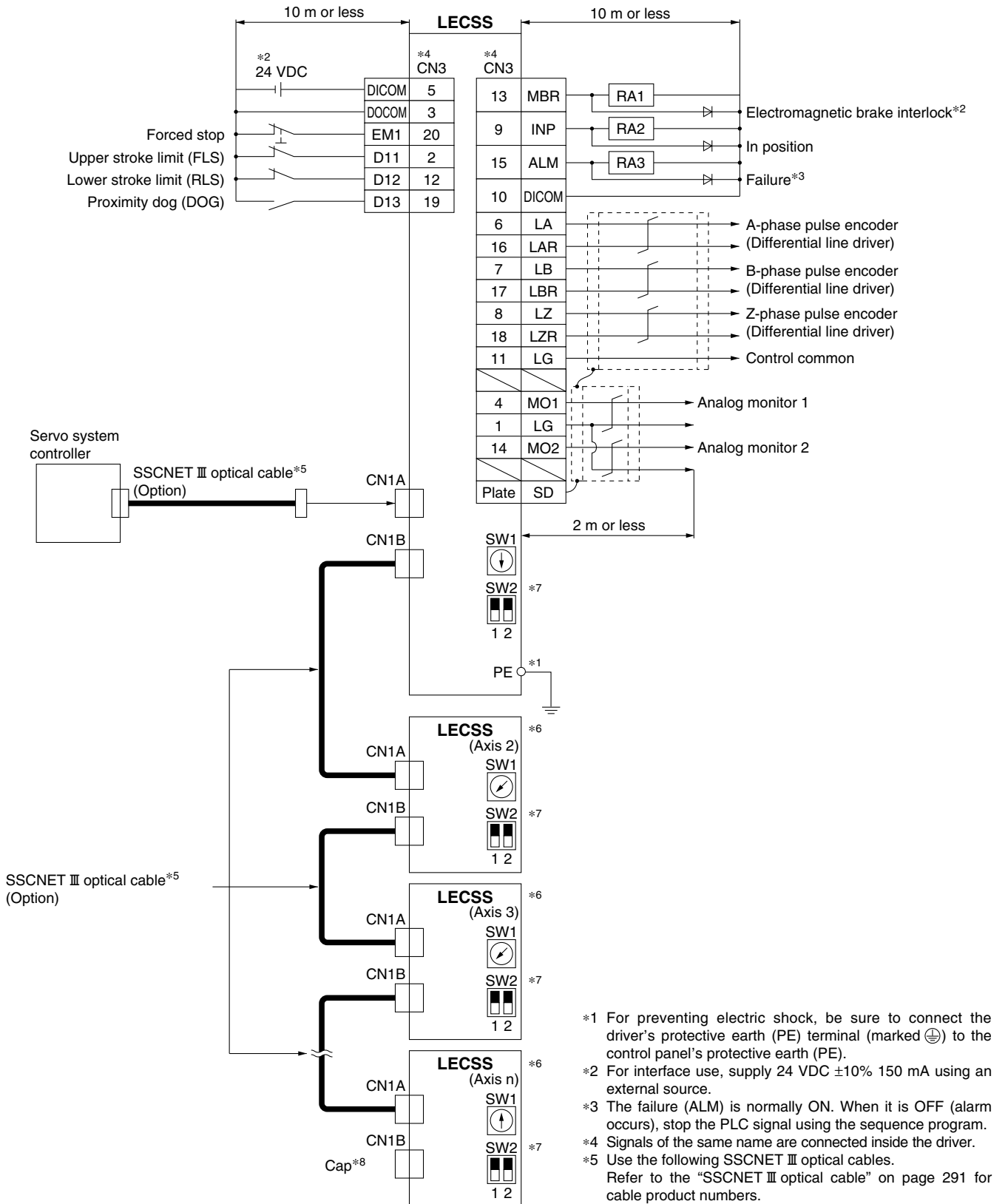
LECS□

LECY□

Specific Product Precautions

LECS□/LECS□-T Series

Control Signal Wiring Example: LECSS



- *1 For preventing electric shock, be sure to connect the driver's protective earth (PE) terminal (marked ⊕) to the control panel's protective earth (PE).
 - *2 For interface use, supply 24 VDC ±10% 150 mA using an external source.
 - *3 The failure (ALM) is normally ON. When it is OFF (alarm occurs), stop the PLC signal using the sequence program.
 - *4 Signals of the same name are connected inside the driver.
 - *5 Use the following SSCNET III optical cables. Refer to the "SSCNET III optical cable" on page 291 for cable product numbers.
- | Cable | Product no. | Cable length |
|--------------------------|-------------|---------------|
| SSCNET III optical cable | LE-CSS-□ | 0.15 m to 3 m |

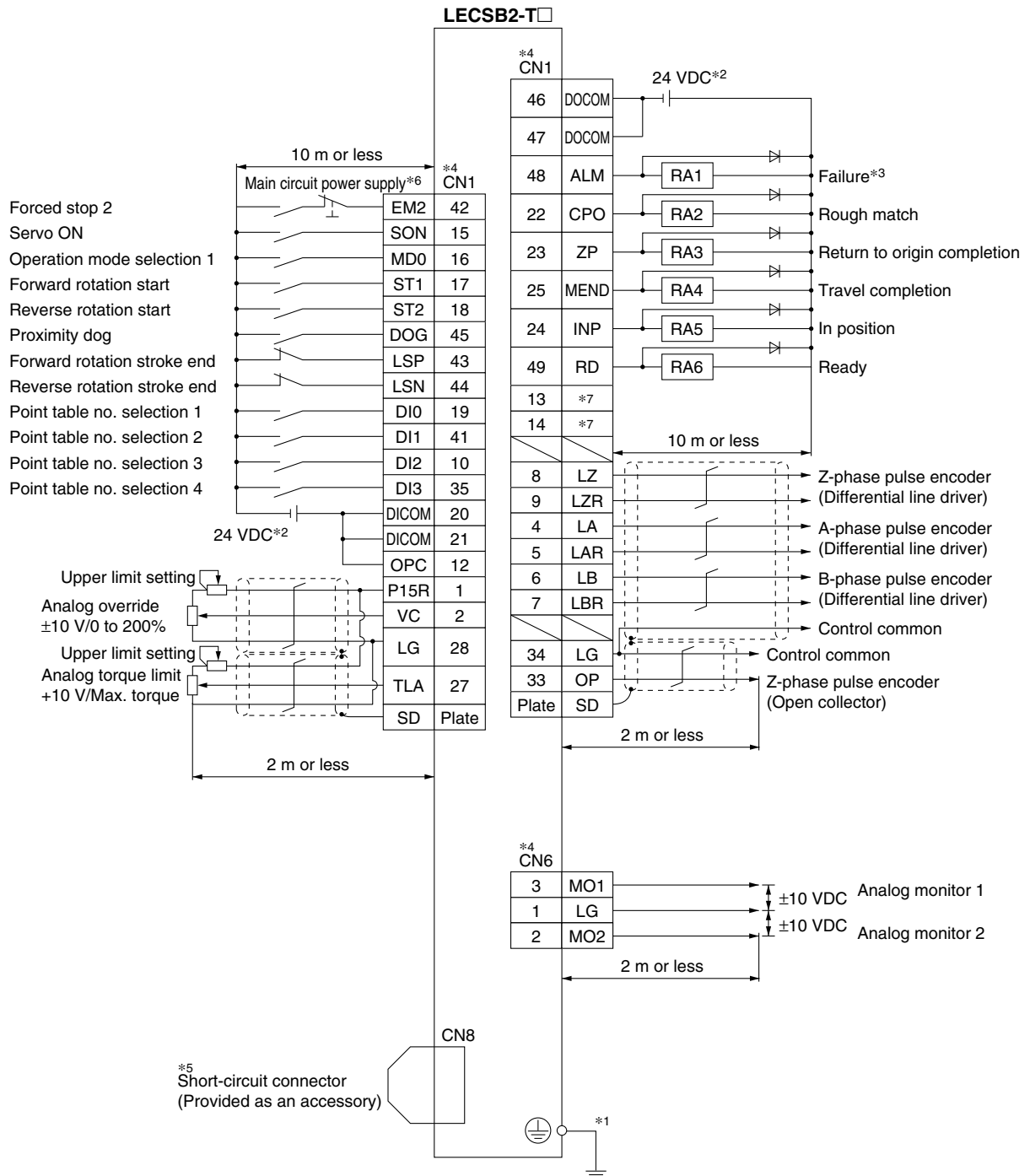
- *6 Connections from Axis 2 onward are omitted.
- *7 Up to 16 axes can be set.
- *8 Be sure to place a cap on unused CN1A/CN1B.

LECS□/LECS□-T Series

Control Signal Wiring Example: LECSB2-T□

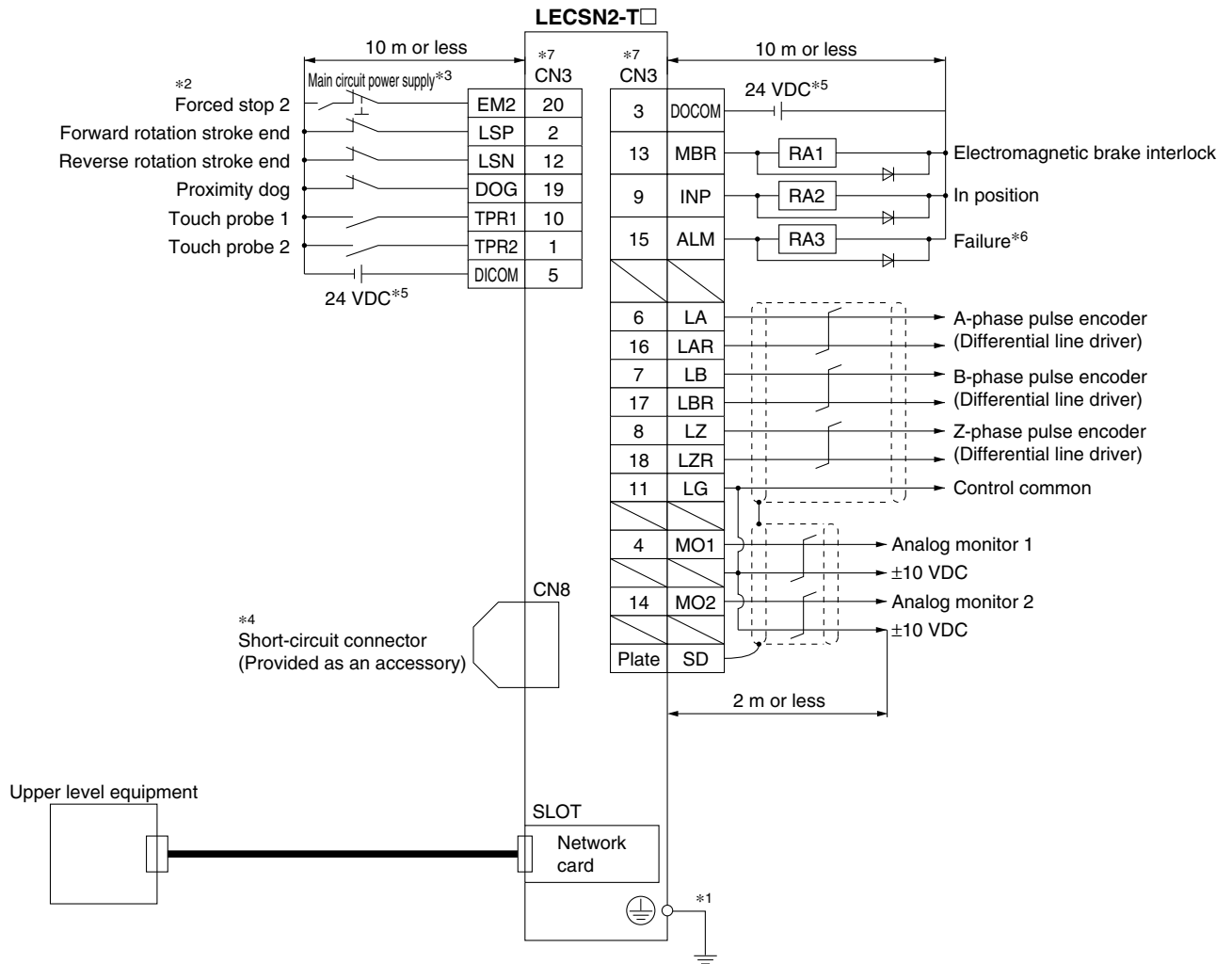
In this wiring example, the devices of the CN1-22 pin, CN1-23 pin, and CN1-25 pin in the initial status have been changed to the devices shown below. For details on the devices and changing method, refer to the LECSB2-T series Operation Manual.
 CN1-22: CPO (Rough match)/CN1-23: ZP (Return to origin completion)/CN1-25: MEND (Travel completion)

Positioning mode (Point table method) For sink (NPN) I/O interface



- *1 For preventing electric shock, be sure to connect the servo amplifier's protective earth (PE) terminal (marked ⊕) to the control panel's protective earth (PE).
- *2 For interface use, supply 24 VDC ±10% using an external source. Set the total current capacity to 500 mA. 500 mA is the value when all I/O command signals are being used. In addition, reducing the number of inputs/outputs can decrease the current capacity.
- *3 The ALM (Failure) is normally ON. (Normally closed contact)
- *4 Signals of the same name are connected inside the servo amplifier.
- *5 When not using the STO function, use the servo amplifier with the short-circuit connector (provided as an accessory) inserted.
- *6 Configure a circuit to turn off EM2 when the main circuit power is turned off to prevent any unexpected restarts of the driver.
- *7 Output devices are not assigned in the initial status. Assign the output devices as necessary.

Control Signal Wiring Example: LECSN2-T□



- *1 For preventing electric shock, be sure to connect the driver's protective earth (PE) terminal (marked ⊕) to the control panel's protective earth (PE).
- *2 If upper level equipment does not have forced stop function, always install the forced stop 2 switch (normally closed contact).
- *3 Configure a circuit to turn off EM2 when the main circuit power is turned off to prevent any unexpected restarts of the driver.
- *4 When not using the STO function, use the driver with the short-circuit connector (provided as an accessory) inserted.
- *5 For interface use, supply 24 VDC $\pm 10\%$ using an external source. Set the total current capacity to 300 mA. 300 mA is the value when all I/O command signals are being used. In addition, reducing the number of inputs/outputs can decrease the current capacity.
- *6 The ALM (Failure) is normally ON. (Normally closed contact)
- *7 Signals of the same name are connected inside the driver.

Model Selection

Step Motor (Servo/24 VDC)/Servo Motor (24 VDC)

LECY

LEYG

LECY

LECY

LECY

LECY

LECY

LECY

LECY

LECY

LECY

LECY

LECY

LECY

LECY

LECY

LECY

LECY

LECY

LECY

LECY

LECY

LECY

LECY

LECY

LECY

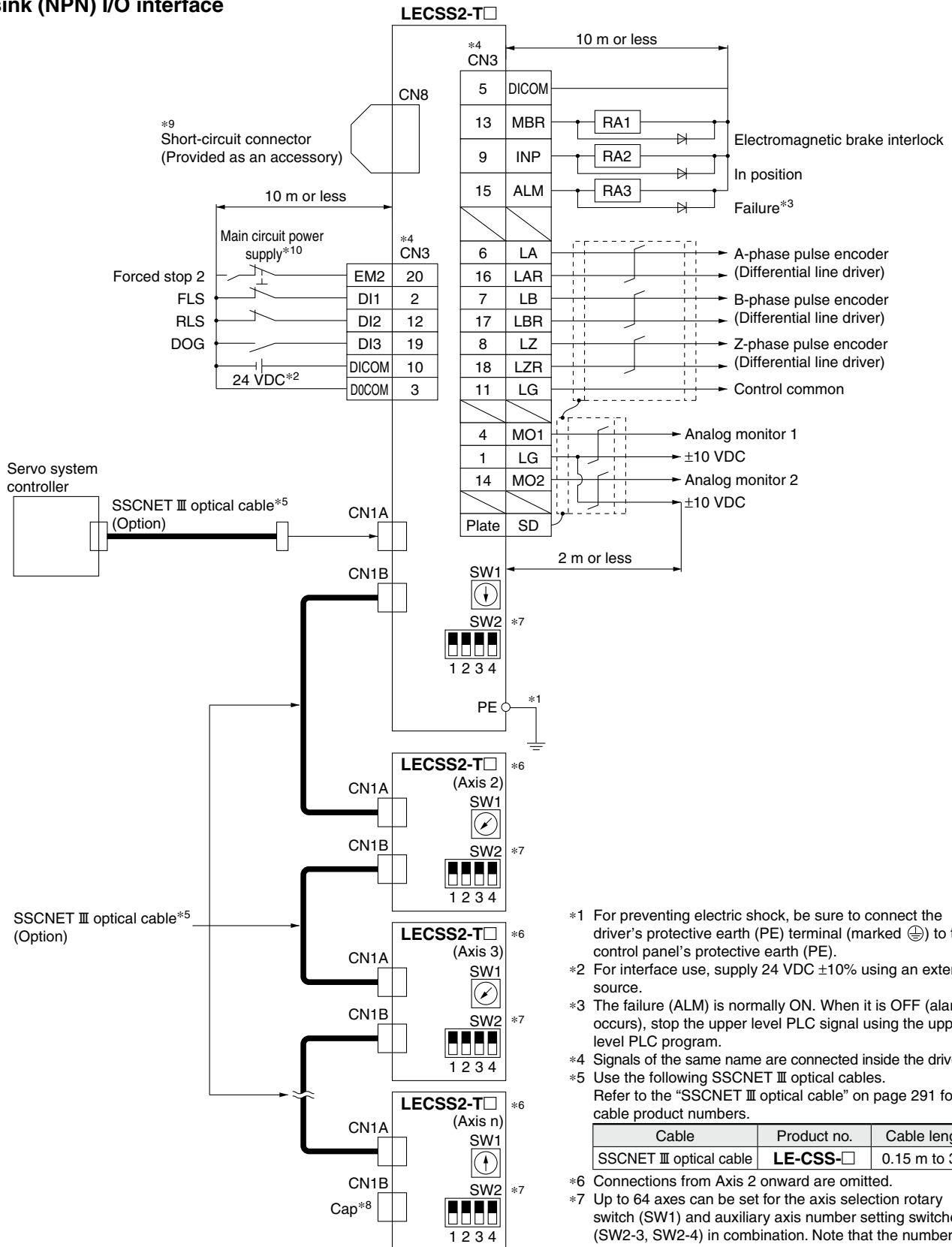
LECY

LECY

LECS□/LECS□-T Series

Control Signal Wiring Example: LECSS2-T□

For sink (NPN) I/O interface



- *1 For preventing electric shock, be sure to connect the driver's protective earth (PE) terminal (marked \oplus) to the control panel's protective earth (PE).
- *2 For interface use, supply 24 VDC $\pm 10\%$ using an external source.
- *3 The failure (ALM) is normally ON. When it is OFF (alarm occurs), stop the upper level PLC signal using the upper level PLC program.
- *4 Signals of the same name are connected inside the driver.
- *5 Use the following SSCNET III optical cables. Refer to the "SSCNET III optical cable" on page 291 for cable product numbers.

Cable	Product no.	Cable length
SSCNET III optical cable	LE-CSS-□	0.15 m to 3 m

- *6 Connections from Axis 2 onward are omitted.
- *7 Up to 64 axes can be set for the axis selection rotary switch (SW1) and auxiliary axis number setting switches (SW2-3, SW2-4) in combination. Note that the number of connection axes depends on the specifications of the upper level PLC.
- *8 Be sure to place a cap on unused CN1A/CN1B.
- *9 When not using the STO function, use the driver with the short-circuit connector (provided as an accessory) inserted.
- *10 Configure a circuit to turn off EM2 when the main circuit power is turned off to prevent any unexpected restarts of the driver.

Options

Motor cable, Lock cable, Encoder cable (LECS□, LECS□-T common)

LE - CSM - S 5 A

Motor type
S AC servo motor

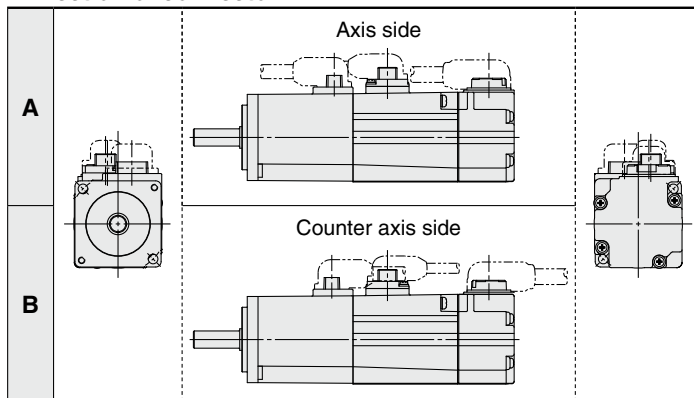
Cable description
M Motor cable
B Lock cable
E Encoder cable

Cable type
S Standard cable
R Robotic cable

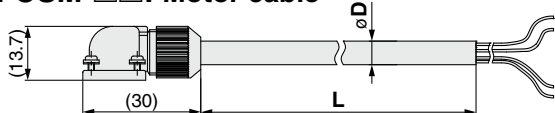
Cable length (L) [m]

2	2
5	5
A	10

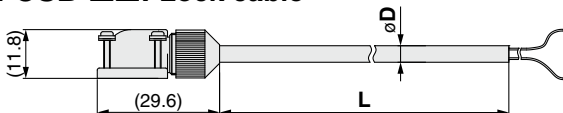
Direction of connector



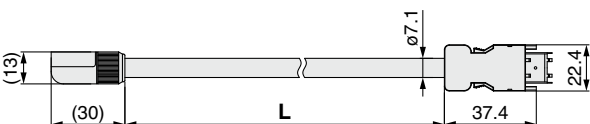
LE-CSM-□□: Motor cable



LE-CSB-□□: Lock cable*1



LE-CSE-□□: Encoder cable



*1 If using an actuator with a lock, a lock cable is required.

Product no.	øD
LE-CSM-S□A	6.2
LE-CSM-S□B	6.2
LE-CSM-R□A	5.7
LE-CSM-R□B	5.7

Product no.	øD
LE-CSB-S□A	4.7
LE-CSB-S□B	4.7
LE-CSB-R□A	4.5
LE-CSB-R□B	4.5

Weight

Product no.	Length [m]	Weight [g]
LE-CSM-S2□	2	180
LE-CSM-S5□	5	400
LE-CSM-SA□	10	800
LE-CSM-R2□	2	180
LE-CSM-R5□	5	400
LE-CSM-RA□	10	800

Weight

Product no.	Length [m]	Weight [g]
LE-CSB-S2□	2	80
LE-CSB-S5□	5	200
LE-CSB-SA□	10	400
LE-CSB-R2□	2	80
LE-CSB-R5□	5	200
LE-CSB-RA□	10	400

Weight

Product no.	Length [m]	Weight [g]
LE-CSE-S2□	2	220
LE-CSE-S5□	5	600
LE-CSE-SA□	10	1200
LE-CSE-R2□	2	220
LE-CSE-R5□	5	600
LE-CSE-RA□	10	1200

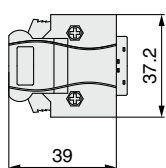
I/O connector (Without cable, Connector only)

LE - CSN A

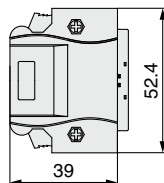
Driver type

A	LECSA□, LECS□-S□/ LECS□-T□
B	LECSB□-S□/LECSB2-T□
S	LECSN2-T□, LECSS□-S□/LECSS2-T□

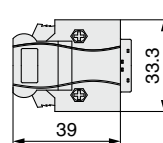
LE-CSNA



LE-CSNB



LE-CSNS



Weight

Product no.	Weight [g]
LE-CSNA	25
LE-CSNB	30
LE-CSNS	16

* LE-CSNA: 10126-3000PE (connector)/10326-52F0-008 (shell kit) manufactured by 3M Japan Limited or equivalent
 LE-CSNB: 10150-3000PE (connector)/10350-52F0-008 (shell kit) manufactured by 3M Japan Limited or equivalent
 LE-CSNS: 10120-3000PE (connector)/10320-52F0-008 (shell kit) manufactured by 3M Japan Limited or equivalent

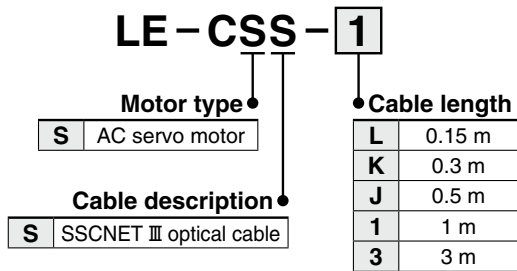
* Applicable conductor size: AWG24 to 30
 * If using the LECSB, emergency stop (EMG) wiring is required in all cases. If using the LECSB-T in any mode other than positioning mode, forced stop (EM2) wiring is required in all cases. (The electric actuator will not operate without the wiring.)
 Prepare an I/O connector or an I/O cable in advance.

Model Selection
 LEY
 LEYG
 LEY
 LEYG
 Environment
 LEY-X7
 LEY-X5
 25A-LEY
 JXC51/61
 LECA6
 LEC-G
 LECPA
 JXC□
 LECS□
 LECY□
 Specific Product Precautions

LECS□/LECS□-T Series

Options

SSCNET III optical cable (LECSS□-S□, LECS2-T□)

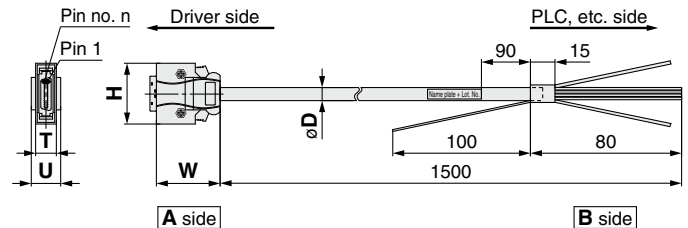
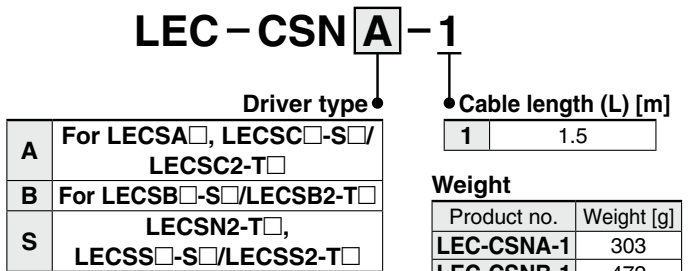


* LE-CSS-□ is MR-J3BUS□M manufactured by Mitsubishi Electric Corporation.

Weight

Product no.	Length [m]	Weight [g]
LE-CSS-L	0.15	100
LE-CSS-K	0.3	100
LE-CSS-J	0.5	200
LE-CSS-1	1	200
LE-CSS-3	3	200

I/O cable



- * LEC-CSNA-1: 10126-3000PE (connector)/10326-52F0-008 (shell kit) manufactured by 3M Japan Limited or equivalent
- * LEC-CSNB-1: 10150-3000PE (connector)/10350-52F0-008 (shell kit) manufactured by 3M Japan Limited or equivalent
- * LEC-CSNS-1: 10120-3000PE (connector)/10320-52F0-008 (shell kit) manufactured by 3M Japan Limited or equivalent
- * Conductor size: AWG24
- * If using the LECSB, emergency stop (EMG) wiring is required in all cases. If using the LECSB-T in any mode other than positioning mode, forced stop (EM2) wiring is required in all cases. (The electric actuator will not operate without the wiring.)
- * Prepare an I/O connector or an I/O cable in advance.

Cable O.D.

Product no.	øD
LEC-CSNA-1	11.1
LEC-CSNB-1	13.8
LEC-CSNS-1	9.1

Dimensions/Pin Nos.

Product no.	W	H	T	U	Pin no. n
LEC-CSNA-1	39	37.2	12.7	14	14
LEC-CSNB-1		52.4		18	26
LEC-CSNS-1		33.3		14	21

Wiring

LEC-CSNA-1: Pin nos. 1 to 26

LEC-CSNB-1: Pin nos. 1 to 50

LEC-CSNS-1: Pin nos. 1 to 20

Connector pin no.	Pair no. of wire	Insulation color	Dot mark	Dot color	
A side	1	1	Orange	■	Red
	2	1	Orange	■	Black
	3	2	Light gray	■	Red
	4	2	Light gray	■	Black
	5	3	White	■	Red
	6	3	White	■	Black
	7	4	Yellow	■	Red
	8	4	Yellow	■	Black
	9	5	Pink	■	Red
	10	5	Pink	■	Black
	11	6	Orange	■ ■	Red
	12	6	Orange	■ ■	Black
	13	7	Light gray	■ ■	Red
	14	7	Light gray	■ ■	Black
	15	8	White	■ ■	Red
	16	8	White	■ ■	Black
	17	9	Yellow	■ ■	Red
	18	9	Yellow	■ ■	Black

Connector pin no.	Pair no. of wire	Insulation color	Dot mark	Dot color	
A side	19	10	Pink	■ ■	Red
	20	10	Pink	■ ■	Black
	21	11	Orange	■ ■ ■	Red
	22	11	Orange	■ ■ ■	Black
	23	12	Light gray	■ ■ ■	Red
	24	12	Light gray	■ ■ ■	Black
	25	13	White	■ ■ ■	Red
	26	13	White	■ ■ ■	Black
	27	14	Yellow	■ ■ ■	Red
	28	14	Yellow	■ ■ ■	Black
	29	15	Pink	■ ■ ■ ■	Red
	30	15	Pink	■ ■ ■ ■	Black
	31	16	Orange	■ ■ ■ ■	Red
	32	16	Orange	■ ■ ■ ■	Black
	33	17	Light gray	■ ■ ■ ■	Red
	34	17	Light gray	■ ■ ■ ■	Black

Connector pin no.	Pair no. of wire	Insulation color	Dot mark	Dot color	
A side	35	18	White	■ ■ ■ ■ ■	Red
	36	18	White	■ ■ ■ ■ ■	Black
	37	19	Yellow	■ ■ ■ ■ ■	Red
	38	19	Yellow	■ ■ ■ ■ ■	Black
	39	20	Pink	■ ■ ■ ■ ■	Red
	40	20	Pink	■ ■ ■ ■ ■	Black
	41	21	Orange	■ ■ ■ ■ ■ ■	Red
	42	21	Orange	■ ■ ■ ■ ■ ■	Black
	43	22	Light gray	■ ■ ■ ■ ■ ■	Red
	44	22	Light gray	■ ■ ■ ■ ■ ■	Black
	45	23	White	■ ■ ■ ■ ■ ■	Red
	46	23	White	■ ■ ■ ■ ■ ■	Black
	47	24	Yellow	■ ■ ■ ■ ■ ■	Red
	48	24	Yellow	■ ■ ■ ■ ■ ■	Black
	49	25	Pink	■ ■ ■ ■ ■ ■	Red
	50	25	Pink	■ ■ ■ ■ ■ ■	Black

Options

Regeneration option (LECS□ common)

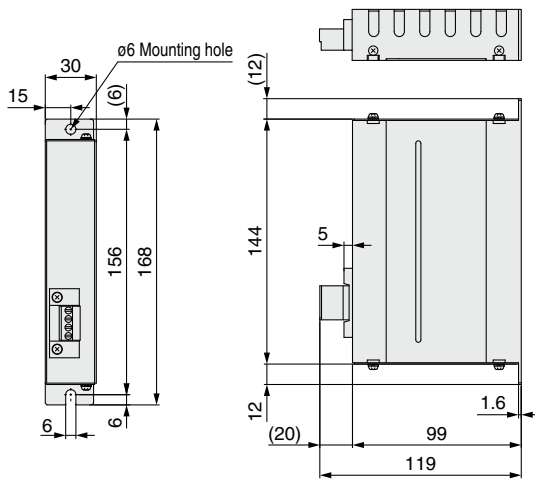
LEC-MR-RB-12

Regeneration option type

032	Allowable regenerative power 30 W
12	Allowable regenerative power 100 W

* Confirm regeneration option to be used in "Model Selection."

LEC-MR-RB-032

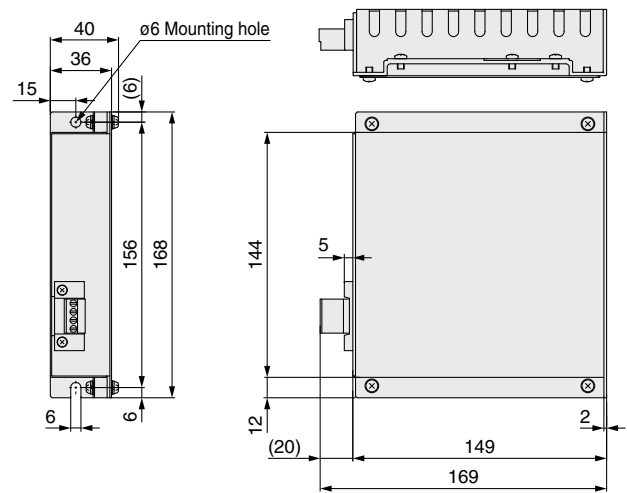


Weight

Product no.	Weight [kg]
LEC-MR-RB-032	0.5

* MR-RB032 manufactured by Mitsubishi Electric Corporation

LEC-MR-RB-12



Weight

Product no.	Weight [kg]
LEC-MR-RB-12	1.1

* MR-RB12 manufactured by Mitsubishi Electric Corporation

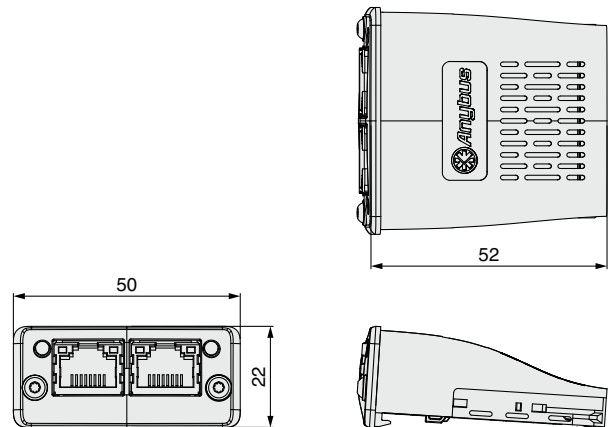
Network card (LECSN2-T□)

LEC-S-NE

Network card type

NE	EtherCAT®
N9	EtherNet/IP™
NP	PROFINET

LEC-S□ common



Weight

Product no.	Weight [g]
LEC-S□	30

LECS□/LECS□-T Series

Options



Setup software (MR Configurator2™) (LECSA, LECSB, LECS□, LECS□-T, LECSB2-T, LECS□-T, LECS□-T, LECSN2-T□ common)

LEC-MRC2□

Display language

Nil	Japanese version
E	English version
C	Chinese version

* SW1DNC-MRC2□ manufactured by Mitsubishi Electric Corporation
Refer to Mitsubishi Electric Corporation's website for operating environment and version upgrade information.
MR Configurator2™ is a registered trademark or trademark of Mitsubishi Electric Corporation.

Adjustment, waveform display, diagnostics, parameter read/write, and test operation can be performed upon a PC.

Compatible PC

When using setup software (MR Configurator2™), use an IBM PC/AT compatible PC that meets the following operating conditions.

Hardware Requirements

Equipment	Setup software (MR Configurator2™) LEC-MRC2□	
*1, 2, 3, 4, 5, 6, 7, 8, 9, 10 PC	OS Microsoft® Windows® 10 Edition Microsoft® Windows® 10 Enterprise Microsoft® Windows® 10 Pro Microsoft® Windows® 10 Home Microsoft® Windows® 8.1 Enterprise Microsoft® Windows® 8.1 Pro Microsoft® Windows® 8.1 Microsoft® Windows® 8 Enterprise Microsoft® Windows® 8 Pro Microsoft® Windows® 8 Microsoft® Windows® 7 Ultimate Microsoft® Windows® 7 Enterprise Microsoft® Windows® 7 Professional Microsoft® Windows® 7 Home Premium Microsoft® Windows® 7 Starter Microsoft® Windows Vista® Ultimate Microsoft® Windows Vista® Enterprise Microsoft® Windows Vista® Business Microsoft® Windows Vista® Home Premium Microsoft® Windows Vista® Home Basic Microsoft® Windows® XP Professional, Service Pack 3 or later Microsoft® Windows® XP Home Edition, Service Pack 3 or later	*1 Before using a PC for setting LECSA point table method/program operation method, upgrade to version 1.18U (Japanese version)/version 1.19V (English version) or later. Refer to Mitsubishi Electric Corporation's website for version upgrade information. *2 Windows® and Windows Vista® are registered trademarks of Microsoft Corporation in the United States and other countries. *3 On some PCs, setup software (MR Configurator2™) may not run properly. *4 The following functions cannot be used. If any of the following functions is used, this product may not operate normally. · Start of application in Windows® compatible mode · Fast User Switching · Remote Desktop · Windows XP Mode · Windows Touch or Touch · Modern UI · Client Hyper-V · Tablet Mode · Virtual desktop · 64-bit OSs are not supported, except for Microsoft® Windows®7 or later. *5 Multi-display is set, the screen of this product may not operate normally. *6 The size of the text or other items on the screen is not changed to the specified value (96 DPI, 100%, 9 pt, etc.), the screen of this product may not operate normally. *7 Changed the resolution of the screen during operating, the screen of this product may not operate normally. *8 Please use by "Standard User," "Administrator" in Windows Vista® or later. *9 Using a PC for setting Windows®10, upgrade to version 1.52E or later. Using a PC for setting Windows®8.1, upgrade to version 1.25B or later. Using a PC for setting Windows®8, upgrade to version 1.20W or later. Refer to Mitsubishi Electric Corporation's website for version upgrade information. *10 If .NET Framework 3.5 (including .NET 2.0 and 3.0) have been disabled in Windows®7 or later, it is necessary to enable it. *11 Order USB cable separately. · This cable is compatible with the setup software (MR Configurator2™: LEC-MR-SETUP221□).
Hard disk	1 GB or more of free space	
Communication interface	Use USB port.	
Display	Resolution 1024 x 768 or more Must be capable of high color (16-bit) display. Connectable with the PC above	
Keyboard	Connectable with the PC above	
Mouse	Connectable with the PC above	
Printer	Connectable with the PC above	
USB cable*11	LEC-MR-J3USB	

Setup Software Compatible Drivers

Compatible driver	Setup software	
	MR Configurator2™ LEC-MR-SETUP221□	MR Configurator2™ LEC-MRC2□
LECSA	○	○
LECSB□-S□	○	○
LECS□-S□	○	○
LECS□-T□	○	○
LECSB2-T□	—	○
LECS□-T□	—	○
LECS□-T□	—	○
LECSN2-T□	—	○

Options

USB cable (3 m)

(LECSA, LECSB, LECSA, LECSB, LECSB-T, LECSB-T, LECSN-T, LECSN-T, LECSN-T common)

LEC – MR – J3USB

* MR-J3USBCBL3M manufactured by Mitsubishi Electric Corporation
Weight: 140 g

Cable for connecting PC and driver when using the setup software (MR Configurator2™)
Do not use any cable other than this cable.

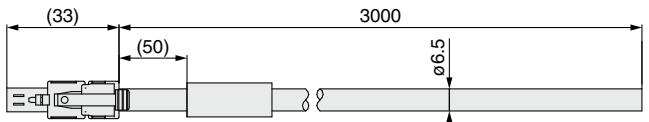
STO cable (3 m)

(Only for LECSB2-T□, LECSN2-T□, and LECS2-T□)

LEC – MR – D05UDL3M

* MR-D05UDL3M manufactured by Mitsubishi Electric Corporation

Cable for connecting the driver and device, when using the safety function
Do not use any cable other than this cable.



Weight: 500 g

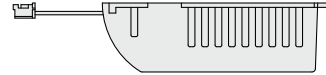
Battery

LEC – MR – J3BAT

* MR-J3BAT manufactured by Mitsubishi Electric Corporation

Battery for replacement

Absolute position data is maintained by installing the battery to the driver.



Weight: 30 g

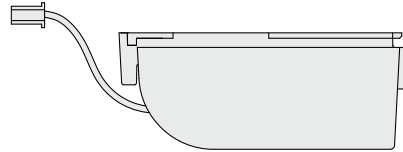
* The LEC-MR-J3BAT is a single battery that uses lithium metal battery ER6V. When transporting lithium metal batteries and devices with built-in lithium metal batteries by a method subject to UN regulations, it is necessary to apply measures according to the regulations stipulated in the United Nations Recommendations on the Transport of Dangerous Goods, the Technical Instructions (ICAO-TI) of the International Civil Aviation Organization (ICAO), and the International Maritime Dangerous Goods Code (IMDG CODE) of the International Maritime Organization (IMO). If a customer is transporting products such as shown above, it is necessary to confirm the latest regulations, or the laws and regulations of the country of transport on your own, in order to apply the proper measures. Please contact SMC sales representative for details.

LEC – MR – BAT6V1SET

* MR-BAT6V1SET manufactured by Mitsubishi Electric Corporation

Battery for replacement

Absolute position data is maintained by installing the battery to the driver.



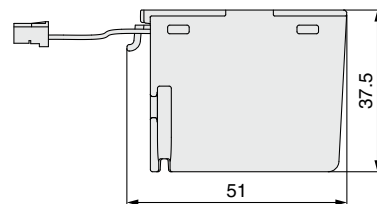
Weight: 60 g

LEC – MR – BAT6V1SET-A

* MR-BAT6V1SET-A manufactured by Mitsubishi Electric Corporation

Battery for replacement

Absolute position data is maintained by installing the battery to the driver.



Weight: 60 g

* The LEC-MR-BAT6V1SET and LEC-MR-BAT6V1SET-A are assembled batteries that use lithium metal battery 2CR17335A. When transporting lithium metal batteries and devices with built-in lithium metal batteries by a method subject to UN regulations, it is necessary to apply measures according to the regulations stipulated in the United Nations Recommendations on the Transport of Dangerous Goods, the Technical Instructions (ICAO-TI) of the International Civil Aviation Organization (ICAO), and the International Maritime Dangerous Goods Code (IMDG CODE) of the International Maritime Organization (IMO). If a customer is transporting products such as shown above, it is necessary to confirm the latest regulations, or the laws and regulations of the country of transport on your own, in order to apply the proper measures. Please contact SMC sales representative for details.

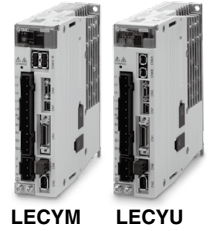
Battery Types and Compatible Drivers

Compatible driver	Battery type		
	LEC-MR-J3BAT	LEC-MR-BAT6V1SET	LEC-MR-BAT6V1SET-A
LECSB□-S□	○	—	—
LECSA□-S□	○	—	—
LECSS□-S□	○	—	—
LECSB□-T□	—	○	—
LECSA□-T□	○	—	—
LECSS□-T□	—	○	—
LECSN□-T□	—	—	○

AC Servo Motor Driver Absolute Type

LECYM/LECYU Series

(MECHATROLINK-II Type) (MECHATROLINK-III Type)



* For details, refer to page 307 and onward.

How to Order

Driver

LECYM 2 -

Driver type

M	MECHATROLINK-II type (For absolute encoder)
U	MECHATROLINK-III type (For absolute encoder)

Power supply voltage

2	200 to 230 VAC, 50/60 Hz
---	--------------------------

- * If an I/O connector (CN1) is required, order the part number "LE-CYNA" separately.
- * If an I/O cable (CN1) is required, order the part number "LEC-CSNA-1" separately.

Compatible motor type

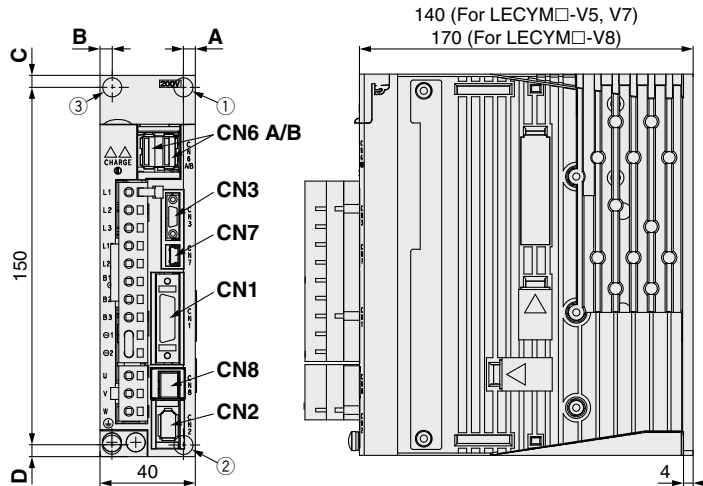
Symbol	Type	Capacity	Encoder
V5	AC servo motor (V6*1)	100 W	Absolute
V7	AC servo motor (V7*1)	200 W	
V8	AC servo motor (V8*1)	400 W	

*1 The symbol shows the motor type (actuator).

Dimensions

MECHATROLINK-II type

LECYM2-V□



Connector name	Description
CN1	I/O signal connector
CN2	Encoder connector
CN3*1	Digital operator connector
CN6A	MECHATROLINK-II communication connector
CN6B	MECHATROLINK-II communication connector
CN7	PC connector
CN8	Safety connector

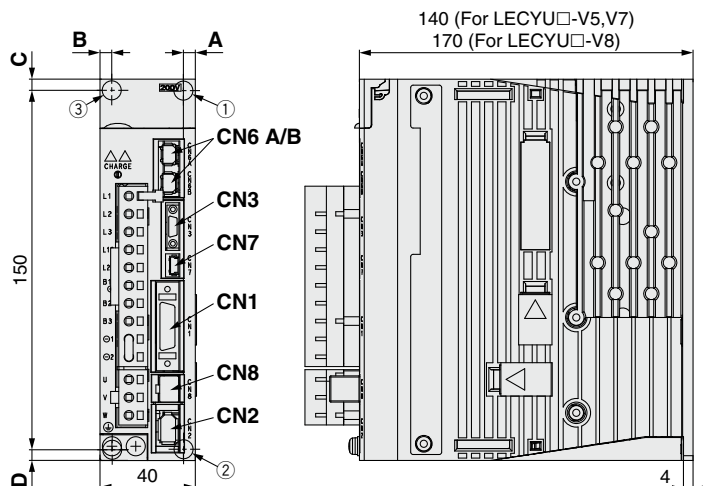
*1 Digital operator is JUSP-OP05A-1-E manufactured by YASKAWA Electric Corporation. When using the digital operator, it should be provided by the customer.

Motor capacity	Hole position	Mounting dimensions	Mounting hole
V5 (100 W)	①②	A B C D	ø5
V7 (200 W)	①②	5 — 5 5	
V8 (400 W)	②③	5 5 5 5	

* The mounting hole position varies depending on the motor capacity.

MECHATROLINK-III type

LECYU2-V□



Connector name	Description
CN1	I/O signal connector
CN2	Encoder connector
CN3*1	Digital operator connector
CN6A	MECHATROLINK-III communication connector
CN6B	MECHATROLINK-III communication connector
CN7	PC connector
CN8	Safety connector

*1 Digital operator is JUSP-OP05A-1-E manufactured by YASKAWA Electric Corporation. When using the digital operator, it should be provided by the customer.

Motor capacity	Hole position	Mounting dimensions	Mounting hole
V5 (100 W)	①②	A B C D	ø5
V7 (200 W)	①②	5 — 5 5	
V8 (400 W)	②③	5 5 5 5	

* The mounting hole position varies depending on the motor capacity.

Specifications

MECHATROLINK-II Type

Model		LECYM2-V5	LECYM2-V7	LECYM2-V8
Compatible motor capacity [W]		100	200	400
Compatible encoder		Absolute 20-bit encoder (Resolution: 1048576 p/rev)		
Main circuit power supply	Power voltage [V]	Three phase 200 to 230 VAC (50/60 Hz)		
	Allowable voltage fluctuation [V]	Three phase 170 to 253 VAC		
Control power supply	Power voltage [V]	Single phase 200 to 230 VAC (50/60 Hz)		
	Allowable voltage fluctuation [V]	Single phase 170 to 253 VAC		
Power supply capacity (at rated output) [A]		0.91	1.6	2.8
Input circuit		NPN (Sink circuit)/PNP (Source circuit)		
Parallel input (7 inputs)	Number of optional allocations	7 inputs	[Initial allocation] · Homing deceleration switch (/DEC) · External latch (/EXT 1 to 3) · Forward run prohibited (P-OT), reverse run prohibited (N-OT)	
			[Can be allocated by setting the parameters] · Forward external torque limit (/P-CL), reverse external torque limit (/N-CL) Signal allocations can be performed, and positive and negative logic can be changed.	
Parallel output (4 outputs)	Number of fixed allocations	1 output	· Servo alarm (ALM)	
	Number of optional allocations	3 outputs	[Initial allocation] · Lock (/BK) [Can be allocated by setting the parameters] · Positioning completion (/COIN) · Speed limit detection (/VLT) · Speed coincidence detection (/V-CMP) · Rotation detection (/TGON) · Warning (/WARN) · Servo ready (/S-RDY) · Near (/NEAR) · Torque limit detection (/CLT) Signal allocations can be performed, and positive and negative logic can be changed.	
MECHATROLINK communication	Communication protocol	MECHATROLINK-II		
	Station address	41H to 5FH		
	Transmission speed	10 Mbps		
	Transmission cycle	250 μs, 0.5 ms to 4 ms (Multiples of 0.5 ms)		
	Number of transmission bytes	17 bytes, 32 bytes		
	Max. number of stations	30		
	Cable length	Overall cable length: 50 m or less, Cable length between the stations: 0.5 m or more		
Command method	Control method	Position, speed, or torque control with MECHATROLINK-II communication		
	Command input	MECHATROLINK-II command (Motion, data setting, monitoring, or adjustment)		
Function	Gain adjustment	Tuning-less/Advanced auto tuning/One-parameter tuning		
	Communication setting	USB communication, RS-422 communication		
	Torque limit	Internal torque limit, external torque limit, and torque limit by analog command		
	Encoder output	Phase A, B, Z: Line driver output		
	Emergency stop	CN8 Safety function		
	Overtravel	Dynamic brake stop, deceleration to a stop, or free run to a stop at P-OT or N-OT		
Alarm	Alarm signal, MECHATROLINK-II command			
Operating temperature range [°C]		0 to 55 (No freezing)		
Operating humidity range [%RH]		90 or less (No condensation)		
Storage temperature range [°C]		-20 to 85 (No freezing)		
Storage humidity range [%RH]		90 or less (No condensation)		
Insulation resistance [MΩ]		10 MΩ (500 VDC)		
Safety function		STO (IEC 61800-5-2)		
Safety standards*1		EN ISO 13849-1 Category 3 PL d, IEC 61508 SIL2, IEC 62061 SIL CL2, IEC 61800-5-2		
Weight [g]		900		1000

*1 Refer to the LECYM operation manual for details.

Model Selection

Step Motor (Servo/24 VDC)/Servo Motor (24 VDC)
LECY

LEYG

LECY

LEYG

LECY

LECY

Environment
25A-LECY

LECY-X7

LECY-X5

JXC51/61

LECA6

LECY

LECY-G

LECP1

LECPA

LECY

Specific Product Precautions

Specifications

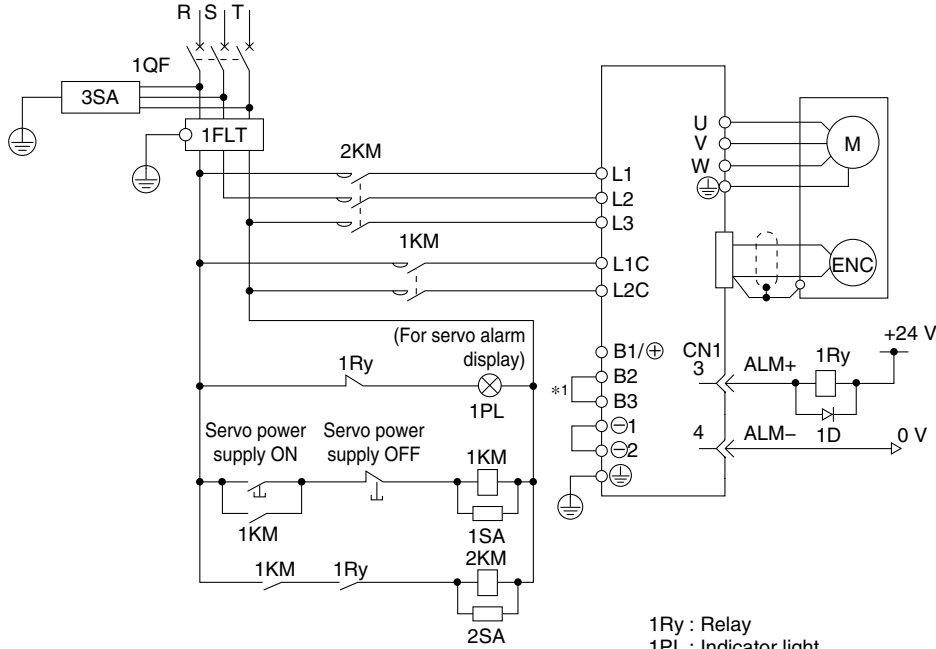
MECHATROLINK-III Type

Model		LECYU2-V5	LECYU2-V7	LECYU2-V8
Compatible motor capacity [W]		100	200	400
Compatible encoder		Absolute 20-bit encoder (Resolution: 1048576 p/rev)		
Main circuit power supply	Power voltage [V]	Three phase 200 to 230 VAC (50/60 Hz)		
	Allowable voltage fluctuation [V]	Three phase 170 to 253 VAC		
Control power supply	Power voltage [V]	Single phase 200 to 230 VAC (50/60 Hz)		
	Allowable voltage fluctuation [V]	Single phase 170 to 253 VAC		
Power supply capacity (at rated output) [A]		0.91	1.6	2.8
Input circuit		NPN (Sink circuit)/PNP (Source circuit)		
Parallel input (7 inputs)	Number of optional allocations	7 inputs	[Initial allocation] · Homing deceleration switch (/DEC) · External latch (/EXT 1 to 3) · Forward run prohibited (P-OT), reverse run prohibited (N-OT) [Can be allocated by setting the parameters] · Forward external torque limit (/P-CL), reverse external torque limit (/N-CL) Signal allocations can be performed, and positive and negative logic can be changed.	
			Number of fixed allocations	1 output
Parallel output (4 outputs)	Number of optional allocations	3 outputs	[Initial allocation] · Lock (/BK) [Can be allocated by setting the parameters] · Positioning completion (/COIN) · Speed limit detection (/VLT) · Speed coincidence detection (/V-CMP) · Rotation detection (/TGON) · Warning (/WARN) · Servo ready (/S-RDY) · Near (/NEAR) · Torque limit detection (/CLT) Signal allocations can be performed, and positive and negative logic can be changed.	
MECHATROLINK communication	Communication protocol	MECHATROLINK-III		
	Station address	03H to EFH		
	Transmission speed	100 Mbps		
	Transmission cycle	125 μs, 250 μs, 500 μs, 750 μs, 1 ms to 4 ms (Multiples of 0.5 ms)		
	Number of transmission bytes	16 bytes, 32 bytes, 48 bytes		
	Max. number of stations	62		
	Cable length	Cable length between the stations: 0.5 m or more, 75 m or less		
Command method	Control method	Position, speed, or torque control with MECHATROLINK-III communication		
	Command input	MECHATROLINK-III command (Motion, data setting, monitoring, or adjustment)		
Function	Gain adjustment	Tuning-less/Advanced auto tuning/One-parameter tuning		
	Communication setting	USB communication, RS-422 communication		
	Torque limit	Internal torque limit, external torque limit, and torque limit by analog command		
	Encoder output	Phase A, B, Z: Line driver output		
	Emergency stop	CN8 Safety function		
	Overtravel	Dynamic brake stop, deceleration to a stop, or free run to a stop at P-OT or N-OT		
Alarm	Alarm signal, MECHATROLINK-III command			
Operating temperature range [°C]		0 to 55 (No freezing)		
Operating humidity range [%RH]		90 or less (No condensation)		
Storage temperature range [°C]		-20 to 85 (No freezing)		
Storage humidity range [%RH]		90 or less (No condensation)		
Insulation resistance [MΩ]		10 MΩ (500 VDC)		
Safety function		STO (IEC 61800-5-2)		
Safety standards*1		EN ISO 13849-1 Category 3 PL d, IEC 61508 SIL2, IEC 62061 SIL CL2, IEC 61800-5-2		
Weight [g]		900		1000

*1 Refer to the LECYU operation manual for details.

Power Supply Wiring Example: LECY□

■ Three phase 200 V **LECYM2-□**
 LECYU2-□



1QF : Molded-case circuit breaker
 1FLT: Noise filter
 1KM : Magnetic contactor (for control power supply)
 2KM : Magnetic contactor (for main circuit power supply)

1Ry : Relay
 1PL : Indicator light
 1SA : Surge absorber
 2SA : Surge absorber
 3SA : Surge absorber
 1D : Flywheel diode

*1 For the LECY□2-V5, LECY□2-V7, and LECY□2-V8, terminals B2 and B3 are not short-circuited. Do not short-circuit these terminals.

Main Circuit Power Supply Connector * Accessory

Terminal name	Function	Details
L1	Main circuit power supply	Connect the main circuit power supply. Single phase 200 to 230 VAC, 50/60 Hz Connection terminal: L1, L2 Three phase 200 to 230 VAC, 50/60 Hz Connection terminal: L1, L2, L3
L2		
L3		
L1C	Control power supply	Connect the control power supply. Single phase 200 to 230 VAC, 50/60 Hz Connection terminal: L1C, L2C
L2C		
B1(+)	External regenerative resistor connection terminal	When the regenerative resistor is required, connect it between terminals B1(+) and B2.
B2		
⊖1	Main circuit negative terminal	⊖1 and ⊖2 are connected at shipment.
⊖2		

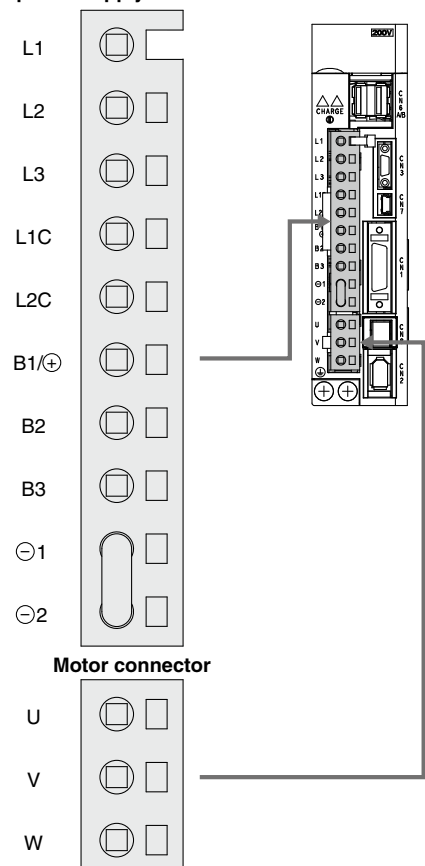
Motor Connector * Accessory

Terminal name	Function	Details
U	Servo motor power (U)	Connect to motor cable (U, V, W).
V	Servo motor power (V)	
W	Servo motor power (W)	

Power Supply Wire Specifications

Item	Specifications
Applicable wire size	L1, L2, L3, L1C, L2C Single wire, Twisted wire, AWG14 (2.0 mm ²)
Stripped wire length	8 to 9 mm

Main circuit power supply connector



Model Selection

Step Motor (Servo/24 VDC)/Servo Motor (24 VDC) **LEY**

LEYG

LEY

LEYG

AC Servo Motor **LEY**

LEYG

Environment **LEY-X7**

LEY-X5

25A-LEY

JXC51/61

Step Motor (Servo/24 VDC)/Servo Motor (24 VDC) **LECA6**

LECG

LECP1

LECPA

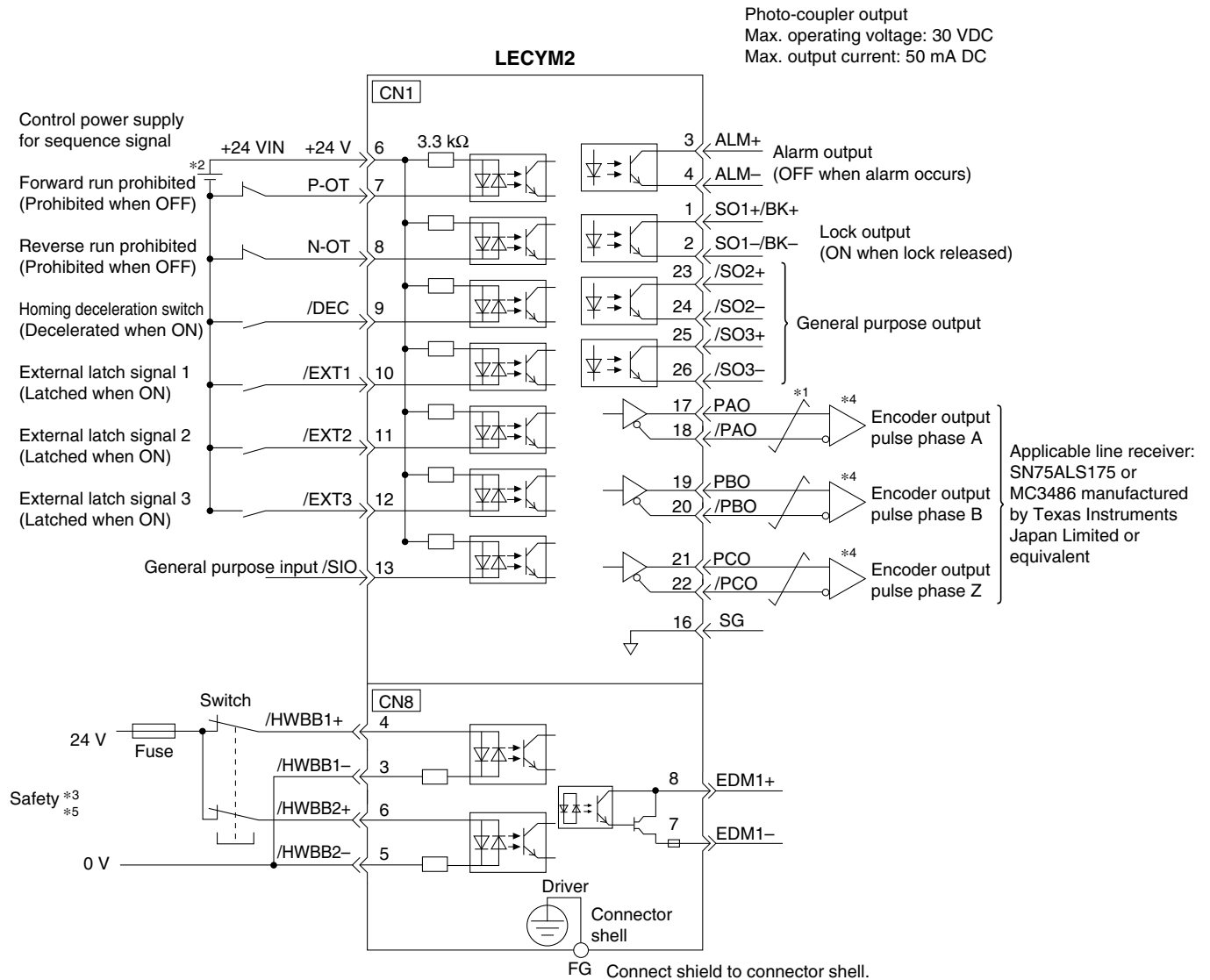
JXC□

AC Servo Motor **LECS□**

LECY□

Specific Product Precautions

Control Signal Wiring Example: LECYM



*1 $\overline{\text{---}}$ shows twisted-pair wires.

*2 The 24 VDC power supply is not included. Use a 24 VDC power supply with double insulation or reinforced insulation.

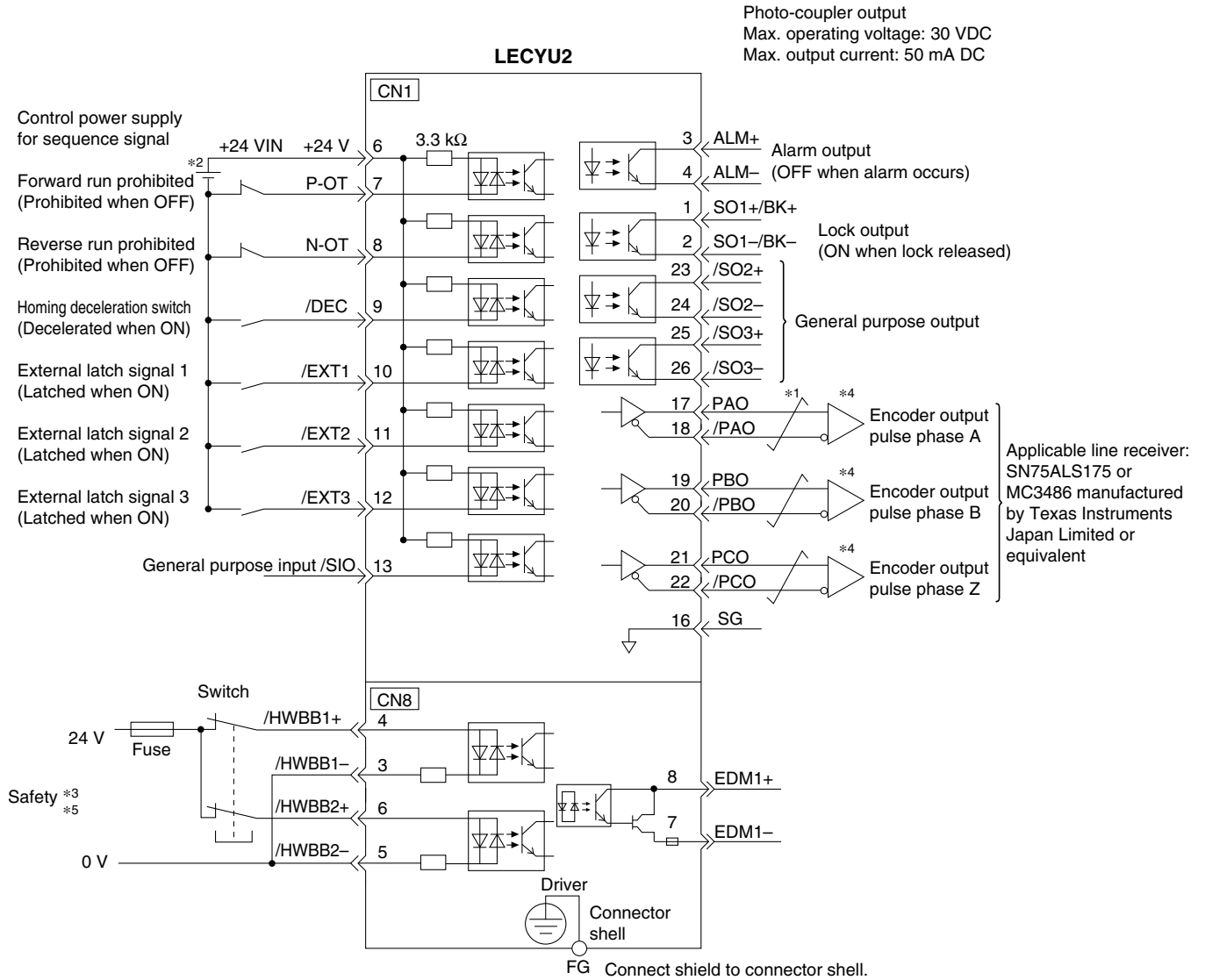
*3 When using the safety function, a safety function device must be connected to the wiring that is necessary to activate the safety function. Otherwise, the servo motor is not turned ON. When not using the safety function, use the driver with the Safety Jumper Connector (provided as an accessory) inserted into the CN8.

*4 Always use line receivers to receive the output signals.

** The functions allocated to the input signals /DEC, P-OT, N-OT, /EXT1, /EXT2, and /EXT3, and the output signals /SO1, /SO2, and /SO3 can be changed by setting the parameters.

*5 It is a safety function equivalent to the STO function (IEC 61800-5-2) using the hard wire base block function (HWBB).

Control Signal Wiring Example: LECYU



- *1 $\overline{\text{---}}$ shows twisted-pair wires.
- *2 The 24 VDC power supply is not included. Use a 24 VDC power supply with double insulation or reinforced insulation.
- *3 When using the safety function, a safety function device must be connected to the wiring that is necessary to activate the safety function. Otherwise, the servo motor is not turned ON. When not using the safety function, use the driver with the Safety Jumper Connector (provided as an accessory) inserted into the CN8.
- *4 Always use line receivers to receive the output signals.
** The functions allocated to the input signals /DEC, P-OT, N-OT, /EXT1, /EXT2, and /EXT3, and the output signals /SO1, /SO2, and /SO3 can be changed by setting the parameters.
- *5 It is a safety function equivalent to the STO function (IEC 61800-5-2) using the hard wire base block function (HWBB).

Model Selection

Step Motor (Servo/24 VDC)/Servo Motor (24 VDC)
LECY

LEYG

AC Servo Motor
LECY

LEYG

Environment
LECY-X7

LECY-X5

LECY-X7

Environment
LECY-X5

Step Motor (Servo/24 VDC)/Servo Motor (24 VDC)
LECY-X7

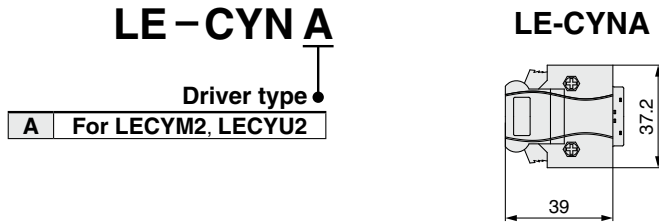
LECY-X5

AC Servo Motor
LECY

Specific Product Precautions
LECY

Options

I/O connector (Without cable, Connector only)

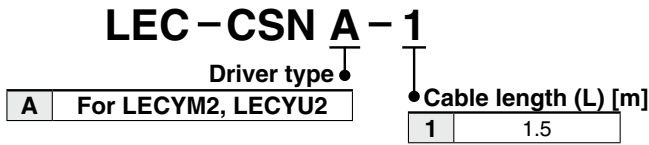


Weight

Product no.	Weight [g]
LE-CYNA	25

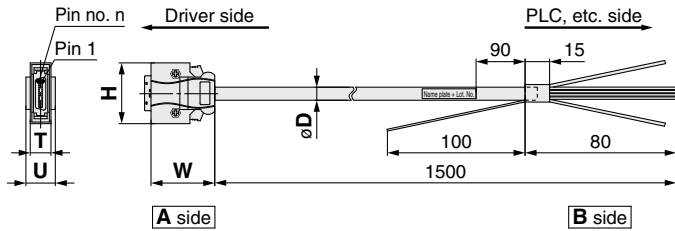
- * LE-CYNA: 10126-3000PE (connector)/10326-52F0-008 (shell kit) manufactured by 3M Japan Limited or equivalent
- * Conductor size: AWG24 to 30

I/O cable



Weight

Product no.	Weight [g]
LEC-CSNA-1	303



- * LEC-CSNA-1: 10126-3000PE (connector)/10326-52F0-008 (shell kit) manufactured by 3M Japan Limited or equivalent
- * Conductor size: AWG24

Wiring

LEC-CSNA-1: Pin nos. 1 to 26

Connector pin no.	Pair no. of wire	Insulation color	Dot mark	Dot color	Connector pin no.	Pair no. of wire	Insulation color	Dot mark	Dot color	Connector pin no.	Pair no. of wire	Insulation color	Dot mark	Dot color	
A side	1	Orange	■	Red	A side	11	Orange	■ ■	Red	A side	21	Orange	■ ■ ■ ■	Red	
	2		■	Black		12		■ ■	Black		22		■ ■ ■ ■	Black	
	3	Light gray	■	Red		13	Light gray	■ ■	Red		23	Light gray	■ ■ ■ ■	Red	
	4		■	Black		14		■ ■	Black		24		■ ■ ■ ■	Black	
	5	White	■	Red		15	White	■ ■	Red		25	White	■ ■ ■ ■	Red	
	6		■	Black		16		■ ■	Black		26		■ ■ ■ ■	Black	
	7	Yellow	■	Red		17	Yellow	■ ■	Red						
	8		■	Black		18		■ ■	Black						
	9	Pink	■	Red		19	Pink	■ ■	Red						
	10		■	Black		20		■ ■	Black						

Cable O.D.

Product no.	øD
LEC-CSNA-1	11.1

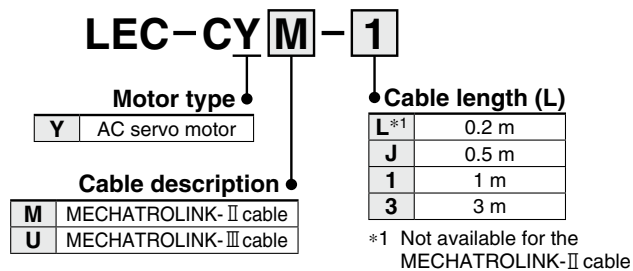
Dimensions/Pin No.

Product no.	W	H	T	U	Pin no. n
LEC-CSNA-1	39	37.2	12.7	14	14

LECY^M_U Series

Options

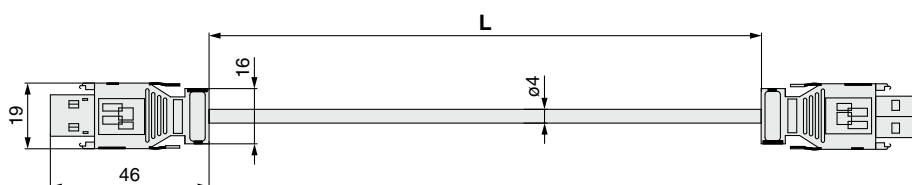
MECHATROLINK cable type



* LEC-CYM-□ is JEPMC-W6002-□□-E manufactured by YASKAWA CONTROLS CO., LTD.

* LEC-CYU-□ is JEPMC-W6012-□□-E manufactured by YASKAWA CONTROLS CO., LTD.

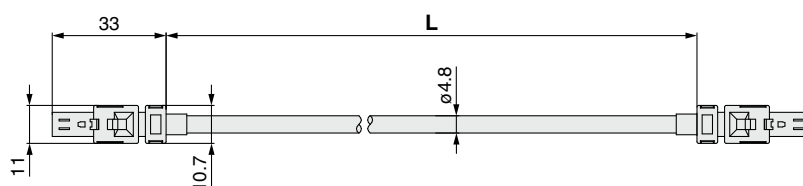
MECHATROLINK-II cable



Weight

Product no.	Length [m]	Weight [g]
LEC-CYM-J	0.5	50
LEC-CYM-1	1	80
LEC-CYM-3	3	200

MECHATROLINK-III cable



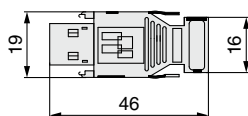
Weight

Product no.	Length [m]	Weight [g]
LEC-CYU-L	0.2	21
LEC-CYU-J	0.5	41
LEC-CYU-1	1	75
LEC-CYU-3	3	205

Terminating connector for MECHATROLINK-II

LEC-CYRM

* LEC-CYRM is JEPMC-W6022-E manufactured by YASKAWA CONTROLS CO., LTD.



Weight: 10 g

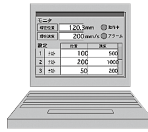
Options



LECYM2 LECYU2
Drivers



USB cable



PC

Setup software (SigmaWin+™) (LECYM/LECYU common)

- * Please download the SigmaWin+™ via our website.
- SigmaWin+™ is a registered trademark or trademark of YASKAWA Electric Corporation.

Adjustment, waveform display, parameter read/write, and test operation can be performed upon a PC.

Compatible PC

When using setup software (SigmaWin+™), use an IBM PC/AT compatible PC that meets the following operating conditions.

Hardware Requirements

Equipment		Setup software (SigmaWin+™)
PC *1, 2, 3, 4	OS	Windows® XP*5, Windows Vista®, Windows® 7 (32-bit/64-bit)
	Available HD space	350 MB or more (When the software is installed, 400 MB or more is recommended.)
	Communication interface	Use USB port.
Display		XVGA monitor (1024 x 768 or more, "The small font is used.") 256 color or more (65536 color or more is recommended.) Connectable with the PC above
Keyboard		Connectable with the PC above
Mouse		Connectable with the PC above
Printer		Connectable with the PC above
USB cable		LEC-JZ-CVUSB*6
Other		Adobe Reader Ver. 5.0 or higher (* Except Ver. 6.0)

- *1 Windows, Windows Vista®, Windows® 7 are registered trademarks of Microsoft Corporation in the United States and/or other countries.
- *2 On some PCs, this software may not run properly.
- *3 Not compatible with 64-bit Windows® XP and 64-bit Windows Vista®
- *4 For Windows® XP, please use it by the administrator authority (When installing and using it.).
- *5 In PC that uses the program to correct the problem of HotfixQ328310, it is likely to fail in the installation. In that case, please use the program to correct the problem of HotfixQ329623.
- *6 Order USB cable separately.

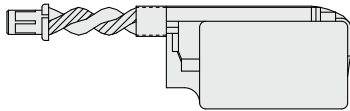
Battery (LECYM/LECYU common)

LEC-JZ-CVBAT

- * JZSP-BA01 manufactured by YASKAWA CONTROLS CO., LTD.

Battery for replacement

Absolute position data is maintained by installing the battery to the battery case of the encoder cable.



Weight: 10 g

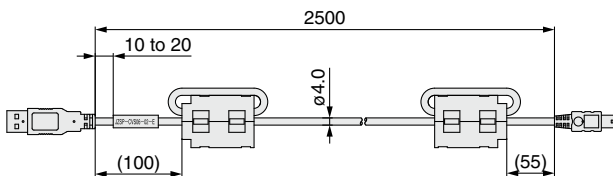
USB cable (2.5 m)

LEC-JZ-CVUSB

- * JZSP-CVS06-02-E manufactured by YASKAWA CONTROLS CO., LTD.

Cable for connecting PC and driver when using the setup software (SigmaWin+™)

Do not use any cable other than this cable.



Weight: 150 g

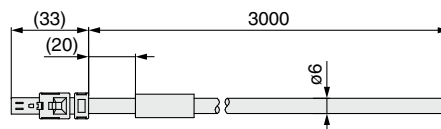
Cable for safety function device (3 m)

LEC-JZ-CVSAF

- * JZSP-CVH03-03-E manufactured by YASKAWA CONTROLS CO., LTD.

Cable for connecting the driver and device when using the safety function

Do not use any cable other than this cable.



Weight: 160 g

Model Selection

Step Motor (Servo/24 VDC)/Servo Motor (24 VDC)
LECY
LEYG

AC Servo Motor
LECY
LEYG

Environment
LECY-X7
LECY-X5
25A-LECY

JXC51/61
LECA6
LECG
LECP1
LECPA

JXC□
LECS□
LECY□

Specific Product Precautions



LECS□/LECS□-T/LECY□ Series

Specific Product Precautions 1

Be sure to read this before handling the products. Refer to the back cover for safety instructions. For electric actuator precautions, refer to the “Handling Precautions for SMC Products” and the “Operation Manual” on the SMC website: <https://www.smcworld.com>

Design / Selection

Warning

- 1. Be sure to apply the specified voltage.**
Otherwise, malfunction or breakage may occur. If the applied voltage is lower than the specified voltage, it is possible that the load will not be able to be moved due to an internal voltage drop of the driver. Please check the operating voltage before use.
- 2. Do not operate the product beyond the specifications.**
Otherwise, a fire, malfunction, or actuator damage may result. Please check the specifications before use.
- 3. Install an emergency stop circuit.**
Please install an emergency stop outside of the enclosure so that the system operation can be stopped immediately and the power supply can be intercepted.
- 4. In order to prevent any damage caused by the breakdown or malfunction of the driver and its peripheral devices, a backup system should be established in advance by giving a multiple-layered structure or a fail-safe design to the equipment, etc.**
- 5. If the danger of human injury is expected due to abnormal heat generation, smoking, ignition, etc., of the driver and its peripheral devices, cut off the power supply of the product and the system immediately.**
- 6. The parameters of the driver are set to initial values. Please change the parameters according to the specifications of the customer's equipment before use. Refer to the operation manual for parameter details.**

Handling

Warning

- 1. Do not touch the inside of the driver and its peripheral devices.**
Doing so may cause an electric shock or damage to the driver.
- 2. Do not perform the operation or setting of the product with wet hands.**
Doing so may cause an electric shock.
- 3. Products with damage or those missing any components should not be used.**
An electric shock, fire, or injury may result.
- 4. Use only the specified combination between the electric actuator and the driver.**
Failure to do so may cause damage to the actuator or the driver.
- 5. Be careful not to be hit by workpieces while the actuator is moving.**
It may cause an injury.
- 6. Do not connect the power supply or power on the product before confirming the area to which the workpiece moves is safe.**
The movement of the workpiece may cause an accident.
- 7. Do not touch the product when it is energized and for some time after the power has been disconnected, as it is very hot.**
Doing so may lead to a burn due to the high temperature.
- 8. Before installation, wiring, and maintenance, the voltage should be checked with a tester 5 minutes after the power supply has been turned off.**
Otherwise, an electric shock, fire, or injury may result.

Handling

Warning

- 9. Static electricity may cause a malfunction or break the driver. Do not touch the driver while power is supplied.**
When touching the driver for maintenance, take sufficient measures to eliminate static electricity.
- 10. Do not use the product in an area where dust, powder dust, water, chemicals, or oil is in the air.**
It will cause failure or malfunction.
- 11. Do not use the product in an area where a magnetic field is generated.**
It will cause failure or malfunction.
- 12. Do not install the product in an environment containing flammable gas, explosive gas, or corrosive gas.**
It could lead to fire, explosion, or corrosion.
- 13. Radiant heat from strong heat sources, such as a furnace, direct sunlight, etc., should not be applied to the product.**
It will cause failure of the driver or its peripheral devices.
- 14. Do not use the product in an environment subject to a temperature cycle.**
It will cause failure of the driver or its peripheral devices.
- 15. Do not use the product in a place where surges are generated.**
When there are units that generate a large amount of surge around the product (e.g. solenoid type lifters, high-frequency induction furnaces, motors, etc.), this may cause deterioration or damage to the product's internal circuit. Avoid sources of surge generation and crossed lines.
- 16. Do not install the product in an environment under the effect of vibrations and impacts.**
It will cause failure or malfunction.
- 17. When a surge-generating load, such as a relay or solenoid valve, is driven directly, use a product that incorporates a surge absorption element.**

Installation

Warning

- 1. Install the driver and its peripheral devices on a fire-proof material.**
Direct installation on or near a flammable material may cause a fire.
- 2. Do not install the product in a place subject to vibrations and impacts.**
It will cause failure or malfunction.
- 3. The driver should be mounted on a vertical wall in a vertical direction. Also, be sure not to cover the driver's suction/exhaust ports.**
- 4. Install the driver and its peripheral devices on a flat surface.**
If the mounting surface is distorted or uneven, an unacceptable force may be added to the housing, etc., causing problems.



LECS□/LECS□-T/LECY□ Series Specific Product Precautions 2

Be sure to read this before handling the products. Refer to the back cover for safety instructions. For electric actuator precautions, refer to the “Handling Precautions for SMC Products” and the “Operation Manual” on the SMC website: <https://www.smcworld.com>

Power Supply

⚠ Caution

1. Use a power supply that has low noise between lines and between the power and ground.
In cases where noise is high, an isolation transformer should be used.
2. To prevent lightning surges, appropriate measures should be taken. Ground the surge absorber for lightning separately from the grounding of the driver and its peripheral devices.

Wiring

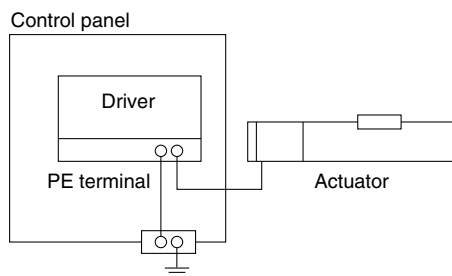
⚠ Warning

1. The driver will be damaged if a commercial power supply (100/200 V) is added to the driver's servo motor power (U, V, and W). Be sure to check wiring for mistakes when the power supply is turned on.
2. Connect the ends of the U, V, and W wires of the motor cable correctly to the phases (U, V, and W) of the servo motor power. If these wires do not match up, the servo motor cannot be controlled.

Grounding

⚠ Warning

1. For grounding the actuator, connect the copper wire of the actuator to the driver's protective earth (PE) terminal and connect the copper wire of the driver to the earth via the control panel's protective earth (PE) terminal. Do not connect them directly to the control panel's protective earth (PE) terminal.



2. In the unlikely event that a malfunction is caused by the ground, please disconnect it.

Maintenance

⚠ Warning

1. Perform a maintenance and inspection periodically.
Confirm wiring and screws are not loose.
Loose screws or wires may cause unintentional malfunction.
2. Conduct an appropriate functional inspection after completing the maintenance and inspection.
At times where the equipment or machinery does not operate properly, conduct an emergency stop of the system. Otherwise, an unexpected malfunction may occur and it will become impossible to ensure safety. Conduct a test of the emergency stop in order to confirm the safety of the equipment.
3. Do not disassemble, modify, or repair the driver and its peripheral devices.
4. Do not put anything conductive or flammable inside the driver.
It may cause a fire.
5. Do not conduct an insulation resistance test or withstand voltage test on this product.
6. Ensure sufficient space for maintenance activities.
Design the system allowing the required space for maintenance and inspection.

Model Selection

LEY

LEYG

LEY

LEY

LEYG

LEY-X7

LEY-X5

25A-LEY

JXC51/61

LECA6

LEC-G

LECP1

LECPA

JXC□

LECS□

LECY□

Specific Product Precautions

CE/UL-compliance List

* For CE/UL-compliant products, refer to the tables below and the following pages.

■ Controllers “O”: Compliant “x”: Not compliant

As of September 2021

Compatible motor	Series	CE	cULus	
			Compliance	Certification No. (File No.)
Step motor (Incremental)	JXCE1	○	○	E480340
	JXC91	○	○	E480340
	JXCP1	○	○	E480340
	JXCD1	○	○	E480340
	JXCL1	○	○	E480340
	LECP1	○	○	E339743
	LECP2	○	○	E339743
Step motor (Battery-less absolute)	LECPA	○	○	E339743
	JXC51/61	○	○	E480340
	JXCE1	○	○	E480340
	JXC91	○	○	E480340
	JXCP1	○	○	E480340
	JXCD1	○	○	E480340
	JXCL1	○	○	E480340
High performance step motor (24 VDC)	JXCM1	○	○	E480340
	JXC5H/6H	○	○	E480340
	JXCEH	○	○	E480340
	JXC9H	○	○	E480340
Servo motor (24 VDC)	JXCPH	○	○	E480340
	LECA6	○	○	E339743
Multi-axis step motor controller	JXC73	○	x	—
	JXC83	○	x	—
	JXC93	○	x	—
	JXC92	○	x	—

Compatible motor	Series	CE	cULus LISTED	
			Compliance	Certification No. (File No.)
AC servo motor	LECSA	○	○	E466261
	LECSB	○	x	—
	LECSB	○	x	—
	LECSB	○	x	—
	LECSB	○	x	—
	LECSB-T	○	○	E466261
	LECSB-T	○	○	E466261
	LECSN-T	○	○*1	E466261
	LECSS-T	○	○	E466261
	LECYM	○	x	—
LECYU	○	x	—	

*1 Only the “Without network card” option is UL compliant.

■ Actuators “O”: Compliant “x”: Not compliant

As of September 2021

Compatible motor	Series	CE	cULus	
			Compliance	Certification No. (File No.)
Step motor (Incremental)	LEFS	○	x	—
	11-LEFS	○	x	—
	25A-LEFS	○	x	—
	LEFB	○	x	—
	LEL	○	x	—
	LEM	○	x	—
	LEY	○	x	—
	25A-LEY	○	x	—
	LEY-X5/X7	○	x	—
	LEYG	○	x	—
	LES	○	x	—
	LESH	○	x	—
	LEPY	○	x	—
	LEPS	○	x	—
	LER	○	x	—
	LEHZ	○	x	—
	LEHZJ	○	x	—
	LEHF	○	x	—
	LEHS	○	x	—
Step motor (Battery-less absolute)	LEFS	○	x	—
	LEFB	○	x	—
	LEKFS	○	x	—
	LEY	○	x	—
	LEY-X8	○	x	—
	LEYG	○	x	—
	LES	○	x	—
	LESH	○	x	—
	LESYH	○	x	—
	LER	○	x	—
	LEHF	○	x	—

Compatible motor	Series	CE	cULus	
			Compliance	Certification No. (File No.)
High performance step motor (24 VDC)	LEFS	○	x	—
Servo motor (24 VDC)	LEFS	○	x	—
	11-LEFS	○	x	—
	25A-LEFS	○	x	—
	LEFB	○	x	—
	LEY	○	x	—
	LEY-X5/X7	○	x	—
	LEYG	○	x	—
	LES	○	x	—
	LESH	○	x	—
	LEPY	○	x	—
LEPS	○	x	—	
AC servo motor	LEFS	○	x	—
	11-LEFS	○	x	—
	25A-LEFS	○	x	—
	LEFB	○	x	—
	LEJS	○	x	—
	11-LEJS	○	x	—
	25A-LEJS	○	x	—
	LEJB	○	x	—
	LEY25/32/63	○	x	—
	LEY100	○	x	—
LEYG	○	x	—	
LESYH	○	x	—	

* Actuators ordered as single units are not UL compliant.

CE/UL-compliance List

■ Actuators (When ordered with a controller) “○”: Compliant “x”: Not compliant “—”: Not applicable As of September 2021

Compatible motor	Series	JXC51/61			JXCE1			JXC91			JXCP1			JXCD1		
		CE	cULus		CE	cULus		CE	cULus		CE	cULus		CE	cULus	
			Compliance	Certification No. (File No.)		Compliance	Certification No. (File No.)		Compliance	Certification No. (File No.)		Compliance	Certification No. (File No.)		Compliance	Certification No. (File No.)
Step motor (Incremental)	LEFS	○	○	E339743	○	○	E339743	○	○	E339743	○	○	E339743	○	○	E339743
	11-LEFS	○	○	E339743	○	○	E339743	○	○	E339743	○	○	E339743	○	○	E339743
	25A-LEFS	○	○	E339743	○	○	E339743	○	○	E339743	○	○	E339743	○	○	E339743
	LEFB	○	○	E339743	○	○	E339743	○	○	E339743	○	○	E339743	○	○	E339743
	LEL	○	○	E339743	○	○	E339743	○	○	E339743	○	○	E339743	○	○	E339743
	LEM	○	○	E339743	○	○	E339743	○	○	E339743	○	○	E339743	○	○	E339743
	LEY	○	○	E339743	○	○	E339743	○	○	E339743	○	○	E339743	○	○	E339743
	25A-LEY	○	○	E339743	○	○	E339743	○	○	E339743	○	○	E339743	○	○	E339743
	LEY-X5/X7	○	x	—	○	x	—	○	x	—	○	x	—	○	x	—
	LEYG	○	○	E339743	○	○	E339743	○	○	E339743	○	○	E339743	○	○	E339743
	LES	○	○	E339743	○	○	E339743	○	○	E339743	○	○	E339743	○	○	E339743
	LESH	○	○	E339743	○	○	E339743	○	○	E339743	○	○	E339743	○	○	E339743
	LEPY	○	○	E339743	○	○	E339743	○	○	E339743	○	○	E339743	○	○	E339743
	LEPS	○	○	E339743	○	○	E339743	○	○	E339743	○	○	E339743	○	○	E339743
	LER	○	○	E339743	○	○	E339743	○	○	E339743	○	○	E339743	○	○	E339743
	LEHZ	○	○	E339743	○	○	E339743	○	○	E339743	○	○	E339743	○	○	E339743
	LEHZJ	○	○	E339743	○	○	E339743	○	○	E339743	○	○	E339743	○	○	E339743
LEHF	○	○	E339743	○	○	E339743	○	○	E339743	○	○	E339743	○	○	E339743	
LEHS	○	○	E339743	○	○	E339743	○	○	E339743	○	○	E339743	○	○	E339743	



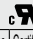
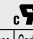
Compatible motor	Series	JXCL1			JXCM1			LECP1			LECP2			LECPA		
		CE	cULus		CE	cULus		CE	cULus		CE	cULus		CE	cULus	
			Compliance	Certification No. (File No.)		Compliance	Certification No. (File No.)		Compliance	Certification No. (File No.)		Compliance	Certification No. (File No.)		Compliance	Certification No. (File No.)
Step motor (Incremental)	LEFS	○	○	E339743	○	○	E339743	○	○	E339743	x	x	—	○	○	E339743
	11-LEFS	○	○	E339743	○	○	E339743	○	○	E339743	x	x	—	○	○	E339743
	25A-LEFS	○	○	E339743	○	○	E339743	○	○	E339743	x	x	—	○	○	E339743
	LEFB	○	○	E339743	○	○	E339743	○	○	E339743	x	x	—	○	○	E339743
	LEL	○	○	E339743	○	○	E339743	○	○	E339743	x	x	—	○	○	E339743
	LEM	○	○	E339743	○	○	E339743	○	○	E339743	○	○	E339743	○	○	E339743
	LEY	○	○	E339743	○	○	E339743	○	○	E339743	x	x	—	○	○	E339743
	25A-LEY	○	○	E339743	○	○	E339743	○	○	E339743	x	x	—	○	○	E339743
	LEY-X5/X7	○	x	—	○	x	—	○	x	—	x	x	—	○	x	—
	LEYG	○	○	E339743	○	○	E339743	○	○	E339743	x	x	—	○	○	E339743
	LES	○	○	E339743	○	○	E339743	○	○	E339743	x	x	—	○	○	E339743
	LESH	○	○	E339743	○	○	E339743	○	○	E339743	x	x	—	○	○	E339743
	LEPY	○	○	E339743	○	○	E339743	○	○	E339743	x	x	—	○	○	E339743
	LEPS	○	○	E339743	○	○	E339743	○	○	E339743	x	x	—	○	○	E339743
	LER	○	○	E339743	○	○	E339743	○	○	E339743	x	x	—	○	○	E339743
	LEHZ	○	○	E339743	○	○	E339743	○	○	E339743	x	x	—	○	○	E339743
	LEHZJ	○	○	E339743	○	○	E339743	○	○	E339743	x	x	—	○	○	E339743
LEHF	○	○	E339743	○	○	E339743	○	○	E339743	x	x	—	○	○	E339743	
LEHS	○	○	E339743	○	○	E339743	○	○	E339743	x	x	—	○	○	E339743	


Compatible motor	Series	JXC51/61			JXCE1			JXC91			JXCP1			JXCD1		
		CE	cULus		CE	cULus		CE	cULus		CE	cULus		CE	cULus	
			Compliance	Certification No. (File No.)		Compliance	Certification No. (File No.)		Compliance	Certification No. (File No.)		Compliance	Certification No. (File No.)		Compliance	Certification No. (File No.)
Step motor (Battery-less absolute)	LEFS	○	x	—	○	x	—	○	x	—	○	x	—	○	x	—
	LEFB	○	x	—	○	x	—	○	x	—	○	x	—	○	x	—
	LEKFS	○	x	—	○	x	—	○	x	—	○	x	—	○	x	—
	LEY	○	x	—	○	x	—	○	x	—	○	x	—	○	x	—
	LEY-X8	○	x	—	○	x	—	○	x	—	○	x	—	○	x	—
	LEYG	○	x	—	○	x	—	○	x	—	○	x	—	○	x	—
	LES	○	x	—	○	x	—	○	x	—	○	x	—	○	x	—
	LESH	○	x	—	○	x	—	○	x	—	○	x	—	○	x	—
	LESYH	○	x	—	○	x	—	○	x	—	○	x	—	○	x	—
	LER	○	x	—	○	x	—	○	x	—	○	x	—	○	x	—
	LEHF	○	x	—	○	x	—	○	x	—	○	x	—	○	x	—





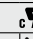
Compatible motor	Series	JXCL1			JXCM1		
		CE	cULus		CE	cULus	
			Compliance	Certification No. (File No.)		Compliance	Certification No. (File No.)
Step motor (Battery-less absolute)	LEFS	○	x	—	○	x	—
	LEFB	○	x	—	○	x	—
	LEKFS	○	x	—	○	x	—
	LEY	○	x	—	○	x	—
	LEY-X8	○	x	—	○	x	—
	LEYG	○	x	—	○	x	—
	LES	○	x	—	○	x	—
	LESH	○	x	—	○	x	—
	LESYH	○	x	—	○	x	—
	LER	○	x	—	○	x	—
LEHF	○	x	—	○	x	—	

CE/UL-compliance List

■ Actuators (When ordered with a controller) "○": Compliant "x": Not compliant "—": Not applicable As of September 2021

Compatible motor	Series	JXC5H/6H			JXCEH			JXC9H			JXCPH		
		CE		c  us Certification No. (File No.)	CE		c  us Certification No. (File No.)	CE		c  us Certification No. (File No.)	CE		c  us Certification No. (File No.)
		Compliance	Certification No. (File No.)		Compliance	Certification No. (File No.)		Compliance	Certification No. (File No.)		Compliance	Certification No. (File No.)	
High performance step motor (24 VDC)	LEF	○	○	E339743	○	○	E339743	○	○	E339743	○	○	E339743

Compatible motor	Series	LECA6		
		CE		c  us Certification No. (File No.)
		Compliance	Certification No. (File No.)	
Servo motor (24 VDC)	LEFS	○	○	E339743
	11-LEFS	○	○	E339743
	25A-LEFS	○	○	E339743
	LEFB	○	○	E339743
	LEY	○	○	E339743
	LEY-X7	○	x	—
	LEYG	○	○	E339743
	LES	○	○	E339743
	LESH	○	○	E339743

Compatible motor	Series	LECSA*1			LECSB			LECSC			LECSS			LECSB-T*1		
		CE		c  us Certification No. (File No.)	CE		c  us Certification No. (File No.)	CE		c  us Certification No. (File No.)	CE		c  us Certification No. (File No.)	CE		c  us Certification No. (File No.)
		Compliance	Certification No. (File No.)		Compliance	Certification No. (File No.)		Compliance	Certification No. (File No.)		Compliance	Certification No. (File No.)		Compliance	Certification No. (File No.)	
AC servo motor	LEFS	○	○	E339743	○	x	—	○	x	—	○	x	—	○	x	—
	11-LEFS	○	○	E339743	○	x	—	○	x	—	○	x	—	○	x	—
	25A-LEFS	○	○	E339743	○	x	—	○	x	—	○	x	—	○	x	—
	LEFB	○	○	E339743	○	x	—	○	x	—	○	x	—	○	x	—
	LEJS	○	○	E339743	○	x	—	○	x	—	○	x	—	○	x	—
	11-LEJS	○	○	E339743	○	x	—	○	x	—	○	x	—	○	x	—
	25A-LEJS	○	○	E339743	○	x	—	○	x	—	○	x	—	○	x	—
	LEJB	○	○	E339743	○	x	—	○	x	—	○	x	—	○	x	—
	LEY25/32/63	○	○	E339743	○	x	—	○	x	—	○	x	—	○	x	—
	LEY100	—	—	—	—	—	—	—	—	—	—	—	—	○	x	—
	LEYG	○	○	E339743	○	x	—	○	x	—	○	x	—	○	x	—
	LESYH	○	x	—	—	—	—	—	—	—	—	—	—	○	x	—

Compatible motor	Series	LECSA-T*1			LECSN-T*1			LECST-T*1		
		CE		c  us Certification No. (File No.)	CE		c  us Certification No. (File No.)	CE		c  us Certification No. (File No.)
		Compliance	Certification No. (File No.)		Compliance	Certification No. (File No.)		Compliance	Certification No. (File No.)	
AC servo motor	LEFS	○	x	—	○	x	—	○	○	E339743
	11-LEFS	○	x	—	○	x	—	○	○	E339743
	25A-LEFS	○	x	—	○	x	—	○	○	E339743
	LEFB	○	x	—	○	x	—	○	○	E339743
	LEJS	○	x	—	○	x	—	○	○	E339743
	11-LEJS	○	x	—	○	x	—	○	○	E339743
	25A-LEJS	○	x	—	○	x	—	○	○	E339743
	LEJB	○	x	—	○	x	—	○	○	E339743
	LEY25/32/63	○	x	—	○	x	—	○	○	E339743
	LEY100	○	x	—	○	x	—	○	x	—
	LEYG	○	x	—	○	x	—	○	○	E339743
	LESYH	○	x	—	○	x	—	○	x	—


*1 There is a "UL Listed" mark on the AC servo motor driver body.


Revision History


Edition C	<ul style="list-style-type: none"> * The in-line motor type LEY□□D series has been added. * The guide rod type LEYG series has been added. * The guide rod type/in-line motor type LEYG□□D series has been added. * The LECP1 series programless controller has been added. * A standard cable has been added to the actuator cable types. * The AC servo motor (100/200 W) type LEY□□S series has been added. * The LECSA/LECSB series AC servo motor driver has been added. * Number of pages has been increased from 40 to 96. 	PY
Edition D	<ul style="list-style-type: none"> * Size 40 has been added to the LEY/LEYG series step motor (servo/24 VDC). * Size 63 has been added to the AC servo motor rod type LEY series. * The dust-tight/water-jet-proof specification has been added to the rod type. * Sizes 25 and 32 have been added to the AC servo motor guide rod type LEYG series. * The LECPA series step motor driver has been added. * The LEC-G series gateway unit has been added. * The LECSA/LECSB series AC servo motor driver has been added. * UL-compliant products have been added. * The controller setting kit (LEC-W2) has been changed. * Number of pages has been increased from 96 to 160. 	RP
Edition E	<ul style="list-style-type: none"> * Intermediate strokes have been added to the LEY63. * Normally-closed solid state auto switches have been added. * The JXC series step motor controller has been added. * The controller setting kit has been changed to the communication cable for controller setting (LEC-W2A). * Errors in text have been corrected. * Number of pages has been increased from 160 to 292. 	YR
Edition F	<ul style="list-style-type: none"> * A 750 W specification has been added to the LEY100 series. * A network card type AC servo motor driver has been added to the LECSN-T series. * A dust-tight/water-jet-proof specification (IP65 equivalent/IP67 equivalent) has been added to the LEY-X7 series. * Discontinued products (LECP6 and LECPMJ) have been removed. * Step data input type JXC51/61 series controllers have been added. * A CE/UL-compliance list has been added. * Number of pages has been increased from 292 to 312. 	AP

Safety Instructions

These safety instructions are intended to prevent hazardous situations and/or equipment damage. These instructions indicate the level of potential hazard with the labels of “**Caution**,” “**Warning**” or “**Danger**.” They are all important notes for safety and must be followed in addition to International Standards (ISO/IEC)*1), and other safety regulations.

 **Caution:** **Caution** indicates a hazard with a low level of risk which, if not avoided, could result in minor or moderate injury.

 **Warning:** **Warning** indicates a hazard with a medium level of risk which, if not avoided, could result in death or serious injury.

 **Danger :** **Danger** indicates a hazard with a high level of risk which, if not avoided, will result in death or serious injury.

*1) ISO 4414: Pneumatic fluid power – General rules relating to systems.
ISO 4413: Hydraulic fluid power – General rules relating to systems.
IEC 60204-1: Safety of machinery – Electrical equipment of machines.
(Part 1: General requirements)
ISO 10218-1: Manipulating industrial robots – Safety.
etc.

Warning

1. The compatibility of the product is the responsibility of the person who designs the equipment or decides its specifications.

Since the product specified here is used under various operating conditions, its compatibility with specific equipment must be decided by the person who designs the equipment or decides its specifications based on necessary analysis and test results. The expected performance and safety assurance of the equipment will be the responsibility of the person who has determined its compatibility with the product. This person should also continuously review all specifications of the product referring to its latest catalog information, with a view to giving due consideration to any possibility of equipment failure when configuring the equipment.

2. Only personnel with appropriate training should operate machinery and equipment.

The product specified here may become unsafe if handled incorrectly. The assembly, operation and maintenance of machines or equipment including our products must be performed by an operator who is appropriately trained and experienced.

3. Do not service or attempt to remove product and machinery/equipment until safety is confirmed.

1. The inspection and maintenance of machinery/equipment should only be performed after measures to prevent falling or runaway of the driven objects have been confirmed.
2. When the product is to be removed, confirm that the safety measures as mentioned above are implemented and the power from any appropriate source is cut, and read and understand the specific product precautions of all relevant products carefully.
3. Before machinery/equipment is restarted, take measures to prevent unexpected operation and malfunction.

4. Contact SMC beforehand and take special consideration of safety measures if the product is to be used in any of the following conditions.

1. Conditions and environments outside of the given specifications, or use outdoors or in a place exposed to direct sunlight.
2. Installation on equipment in conjunction with atomic energy, railways, air navigation, space, shipping, vehicles, military, medical treatment, combustion and recreation, or equipment in contact with food and beverages, emergency stop circuits, clutch and brake circuits in press applications, safety equipment or other applications unsuitable for the standard specifications described in the product catalog.
3. An application which could have negative effects on people, property, or animals requiring special safety analysis.
4. Use in an interlock circuit, which requires the provision of double interlock for possible failure by using a mechanical protective function, and periodical checks to confirm proper operation.

Caution

1. The product is provided for use in manufacturing industries.

The product herein described is basically provided for peaceful use in manufacturing industries.
If considering using the product in other industries, consult SMC beforehand and exchange specifications or a contract if necessary.
If anything is unclear, contact your nearest sales branch.

Limited warranty and Disclaimer/ Compliance Requirements

The product used is subject to the following “Limited warranty and Disclaimer” and “Compliance Requirements”.

Read and accept them before using the product.

Limited warranty and Disclaimer

1. The warranty period of the product is 1 year in service or 1.5 years after the product is delivered, whichever is first.*2)
Also, the product may have specified durability, running distance or replacement parts. Please consult your nearest sales branch.
2. For any failure or damage reported within the warranty period which is clearly our responsibility, a replacement product or necessary parts will be provided.
This limited warranty applies only to our product independently, and not to any other damage incurred due to the failure of the product.
3. Prior to using SMC products, please read and understand the warranty terms and disclaimers noted in the specified catalog for the particular products.

*2) Vacuum pads are excluded from this 1 year warranty.

A vacuum pad is a consumable part, so it is warranted for a year after it is delivered.
Also, even within the warranty period, the wear of a product due to the use of the vacuum pad or failure due to the deterioration of rubber material are not covered by the limited warranty.

Compliance Requirements

1. The use of SMC products with production equipment for the manufacture of weapons of mass destruction (WMD) or any other weapon is strictly prohibited.
2. The exports of SMC products or technology from one country to another are governed by the relevant security laws and regulations of the countries involved in the transaction. Prior to the shipment of a SMC product to another country, assure that all local rules governing that export are known and followed.

Caution

SMC products are not intended for use as instruments for legal metrology.

Measurement instruments that SMC manufactures or sells have not been qualified by type approval tests relevant to the metrology (measurement) laws of each country. Therefore, SMC products cannot be used for business or certification ordained by the metrology (measurement) laws of each country.

Safety Instructions

Be sure to read the “Handling Precautions for SMC Products” (M-E03-3) and “Operation Manual” before use.

SMC Corporation

Akihabara UDX 15F,
4-14-1, Sotokanda, Chiyoda-ku, Tokyo 101-0021, JAPAN
Phone: 03-5207-8249 Fax: 03-5298-5362
<https://www.smcworld.com>
© 2022 SMC Corporation All Rights Reserved

Specifications are subject to change without prior notice and any obligation on the part of the manufacturer.

D-G