



# Pilot Operated 5-Port Solenoid Valve

## 50-VFE3000-X170 Series

## 50-VFE5000-X170 Series

II Ex db IIC T5 Gb Ta : -20°C TO +55°C  
 II Ex db IIC T6 Gb Ta : -20°C TO +40°C  
 II Ex tb IIIC T100°C Db Ta : -20°C TO +55°C  
 II Ex tb IIIC T85°C Db Ta : -20°C TO +40°C

### Specifications

Series	50-VFE3000-X170	50-VFE5000-X170
Fluid	Air	
Operating pressure range	2-position single/3-position	0.15 to 0.9 MPa
	2-position double	0.1 to 0.9 MPa
Ambient and fluid temperatures	T5: -10°C to 50°C T6: -10°C to 40°C * Refer to Explosion Proof Precautions 6).	
Response time	2-position single/double	45 ms or less*1
	3-position	60 ms or less*1
Max. operating frequency	2-position single/double	1 Hz
	3-position	1 Hz
Lubrication	Not required	
Manual override	Non-locking push type, Push-turn locking type D	
Mounting orientation	Unrestricted	
Pilot valve exhaust method	Individual exhaust,	Individual exhaust
	Main/Pilot valve common exhaust	Pilot common exhaust

\*1 Based on dynamic performance test, JIS B 8419: 2010. (0.5 MPa, at rated voltage.)

### Solenoid Specifications

External wiring connection		Flameproof threaded-joint metal conduit
Coil rated voltage	AC (% Hz)	100, 200, 12, 24, 48, 110, 220, 240 V
	DC	24, 6, 12, 48, 110 V
Allowable voltage fluctuation		-15% to +10% of rated voltage
Apparent power	AC	Starting
		9.1 VA (50 Hz) 7.8 VA (60 Hz)
Power consumption	DC	6.2 VA (50 Hz) 4.6 VA (60 Hz)
		3.5 W (Coil rated voltage: 6, 12, 24 V)*2
Coil Insulation type		Class B

\*2 The other voltage: 4 W

### Option

Description	Part no.	Applicable
Bracket (With mounting screw)	VF3000-16-1A	50-VFE3□3□
	VF5000-7-1A	50-VFE5□20

### Option

Valve model*4	Type of actuation		Port size		Flow rate characteristics*3						Weight*5 kg
			1, 4, 2 (P, A, B)	5, 3 (R1, R2)	1 → 4/2 (P → A/B)			4/2 → 5/3 (A/B → R1/R2)			
					C [dm³/(s·bar)]	b	Cv	C [dm³/(s·bar)]	b	Cv	
50-VFE3□30-01-X170	2-position	Single	1/8		3.0	0.38	0.78	2.8	0.30	0.67	0.85
		Double			3.0	0.38	0.78	2.8	0.30	0.67	1.58
	3-position	Closed center			2.4	0.31	0.64	1.8	0.37	0.46	1.67
		Exhaust center			2.6	0.37	0.70	2.4	0.27	0.59	
		Pressure center			3.0 [1.4]	0.42 [0.44]	0.83 [0.39]	2.4	0.32 [0.28]	0.76 [0.62]	
50-VFE3□30-02-X170	2-position	Single	1/4	1/8	4.0	0.36	1.0	3.1	0.32	0.75	0.85
		Double			4.0	0.36	1.0	3.1	0.32	0.75	1.58
	3-position	Closed center			2.4	0.45	0.68	1.9	0.37	0.47	1.67
		Exhaust center			3.0	0.42	0.82	3.1	0.36 [0.29]	0.79 [0.66]	
		Pressure center			5.5 [1.4]	0.37 [0.50]	1.4 [0.40]	2.6	0.32	0.64	
50-VFE5□20-02-X170	2-position	Single	1/4		7.1	0.46	1.9	7.7	0.51	2.2	1.01
		Double			7.1	0.46	1.9	7.7	0.51	2.2	1.7
	3-position	Closed center			6.7	0.46	1.8	6.6	0.41	1.8	1.84
		Exhaust center			7.1	0.42	1.9	8.0 [7.4]	0.45 [0.47]	2.2 [2.1]	
		Pressure center			6.8 [2.7]	0.51 [0.50]	2.0 [0.78]	5.7	0.37	1.4	
50-VFE5□20-03-X170	2-position	Single	3/8		8.8	0.44	2.4	10.0	0.49	2.9	1.01
		Double			8.8	0.44	2.4	10.0	0.49	2.9	1.7
	3-position	Closed center			7.5	0.43	2.0	7.5	0.38	1.9	1.84
		Exhaust center			8.3	0.40	2.2	10.0 [8.7]	0.48 [0.46]	3.0 [2.4]	
		Pressure center			9.2 [3.0]	0.50 [0.49]	2.6 [0.85]	6.1	0.35	1.6	

\*3 [ ]: denotes the normal position.

\*4 For the main/pilot valve common exhaust type, select 50-VFE3□33.

\*5 Weight for the flameproof threaded-joint metal conduit type

\* As the product is body ported, it can be connected to a manifold base as is.

### Pilot Air Exhaust Port (PE Port)

There is a pilot air exhaust port (PE port) at the bottom of all pilot valves, excluding the common exhaust type.

Please refrain from blocking this port as failure to do so may result in valve malfunction.

In addition, if there is a possibility that the hazard classification will change due to the exhaust air, be sure to connect piping to this port and exhaust it to a safe location.

### Explosion Proof Precautions

- The zones of this valve are as follows.  
Gas: Zone 1 or 2 Dust: Zone 21 or 22
- This valve is a Taiwan explosion-proof certified product and is therefore only for use within Taiwan.
- The external ground cable has a 4 to 6.64 mm<sup>2</sup> conductor cross section, so be sure to protect it from bending or excessive force.
- When using a cable gland, be sure to use a product with explosion-proof certification.
- Please use the product in accordance with other Taiwan laws.
- Be sure to operate this product within the temperature range stated in the specification chart.  
(The temperature range for the specification with a certified explosion-proof construction varies from the range stated in the standard model's specifications.)
- Be sure to implement measures to prevent static electricity from charging the non-metal parts on the external surface of the valve.
- As air is also exhausted from the valve PE port (pilot valve exhaust passage), be sure to confirm whether this will affect the ambient environment before use.
- Be sure to either use antistatic fittings or to implement static electricity prevention measures.

## Manifold

Model	Manifold type			
	Type	EXH type	A/B(CYL) port piping	
50-VFE3□30-□□-01 <sup>01</sup> / <sub>02</sub> -X170	B mount	Type 30	Common	Valve
50-VFE3□40-□□-X170		Type 40	Common	Base
50-VFE3□50-□□-X170		Type 50	Individual	Base
50-VFE3□90-□□-X170	NAMUR Interface	Type 90	Individual	Base
50-VFE5□20-□□-03 <sup>03</sup> / <sub>03</sub> -X170	B mount	Type 20	Common	Valve
		Type 21	Common	Valve
50-VFE5□44-□□-X170		Type 40	Common	Base

\* Select 50-VFE3□33 or 50-VFE3□43 for the main/pilot valve common exhaust type.

## How to Order

50 - VFE 5 1 2 0 - 1 T M - 03 - - - X170

**Explosion-proof**

50	Flameproof, dustproof construction
----	------------------------------------

**Body type**

Symbol	Body type, Applicable series	
	50-VFE3000-X170	50-VFE5000-X170
3	●	—
5	—	●

**Symbol**

1	Single solenoid
2	Double solenoid
3	Closed center
4	Exhaust center
5	Pressure center

**Body model**

Symbol	Body model	Applicable series	
		50-VFE3000-X170	50-VFE5000-X170
2	Body ported (For manifold type 20)	—	●
3	Body ported (For manifold type 30)	●	—
4	Base mounted (For manifold type 40)	●	●
5	For manifold type 50	●	—

**Body option**

Symbol	Body model	Applicable series	
		50-VFE3000-X170	50-VFE5000-X170
0	Standard	50-VFE3□ <sup>30</sup> / <sub>40</sub> -X170	50-VFE5□20-X170
3	Common exhaust type for main and pilot valve	50-VFE3□ <sup>33</sup> / <sub>43</sub> -X170	—
4	Centralized piping type for pilot exhaust	—	50-VFE5□44-X170

**Rated voltage**

AC (50/60 Hz)		DC	
1	100 VAC	5	24 VDC
2	200 VAC	6	12 VDC
3	110 VAC	V	6 VDC
4	220 VAC	Y	48 VDC
7	240 VAC	Z	110 VDC
8	48 VAC		
A	12 VAC		
B	24 VAC		

**Option**

Nil	None
F	With bracket

\* Available only for 50-VFE3□30/33 or 50-VFE□5□20 (The bracket will be shipped unattached.)

**Thread type (Port size)**

Nil	Rc
F	G
N	NPT
T	NPTF

**TS certification**

**Port size (P, A, B)**

Symbol	Port size	Applicable series	
		50-VFE3000-X170	50-VFE5000-X170
Nil	None	50-VFE3□ <sup>40</sup> / <sub>43</sub> -X170	50-VFE5□44-X170
01	1/8	50-VFE3□ <sup>30</sup> / <sub>33</sub> -X170	—
02	1/4	50-VFE3□ <sup>30</sup> / <sub>33</sub> -X170	50-VFE5□20-X170
03	3/8	—	50-VFE5□20-X170

**Electrical connection port**

Symbol	Thread type
M	M20 x 1.5
N	NPT1/2

**Manual override**

Nil	Non-locking push type
D	Push-turn locking type D (slotted type)

**External wire connection**

T	Metal conduit threaded type Flameproof enclosure cable gland (not supplied) type*2
---	---

\*2 Please use a commercially available Taiwan explosion-proof certified cable gland if the product is to be used as a flameproof enclosure cable gland type valve.

**Symbol**

2-position		3-position	
Single	50-VFE3130-X170-3133-X170 (B)2 4(A) 	Closed center	50-VFE3330-X170-3333-X170 (B)2 4(A) 
Single	50-VFE3140-X170-3143-X170-3150-X170 50-VFE5120-X170-50-VFE5144-X170 (A)4 2(B) 	Closed center	50-VFE3440-X170-3443-X170-3450-X170 50-VFE5220-X170-50-VFE5244-X170 (A)4 2(B) 
Double	50-VFE3230-X170-3233-X170 (B)2 4(A) 	Exhaust center	50-VFE3430-X170-3433-X170 (B)2 4(A) 
Double	50-VFE3240-X170-3243-X170-3250-X170 50-VFE5220-X170-50-VFE5244-X170 (A)4 2(B) 	Exhaust center	50-VFE5420-X170-50-VFE5444-X170 (A)4 2(B) 
Double	50-VFE3340-X170-3343-X170-3350-X170 50-VFE5220-X170-50-VFE5244-X170 (R)1)5 1 3(R)2 	Pressure center	50-VFE3530-X170-3533-X170 (B)2 4(A) 
Double	50-VFE3340-X170-3543-X170-3550-X170 50-VFE5220-X170-50-VFE5244-X170 (A)4 2(B) 	Pressure center	50-VFE5420-X170-50-VFE5444-X170 (A)4 2(B) 

# 50-VFE3000/5000-X170 Series

## NAMUR Interface 5-Port Solenoid Valve How to Order

**50-VFE3 1 90-1 T M-00F - -X170**

**Explosion-proof**  

50	Flameproof, dustproof construction
----	------------------------------------

**Symbol**  

1	Single solenoid
2	Double solenoid

**Rated voltage**  

AC (50/60 Hz)		DC	
1	100 VAC	5	24 VDC
2	200 VAC	6	12 VDC
3	110 VAC	V	6 VDC
4	220 VAC	Y	48 VDC
7	240 VAC	Z	110 VDC
8	48 VAC		
A	12 VAC		
B	24 VAC		

**External wire connection**  

T	Metal conduit threaded type Flameproof enclosure cable gland (not supplied) type*1
---	---

\*1 Please use a commercially available Taiwan explosion-proof certified cable gland if the product is to be used as a flameproof enclosure cable gland type valve.

**Manual override**  

Nil	Non-locking push type
D	Push-turn locking type D (slotted type)

**TS certification**

**Option**  

Symbol	Option
Nil	Without spacer assembly
1	With spacer assembly

**Pilot valve mounting position (Single only)**  

Symbol	Pilot valve mounting position
Nil	Standard
R	Port 2(B) side

**Thread type**  

Symbol	Thread type
Nil	Rc
00F	G
00N	NPT
00T	NPTF

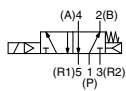
**Electrical connection port**  

Symbol	Thread type
M	M20 x 1.5
N	NPT1/2

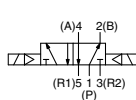
### Symbol

#### 2-position

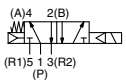
Single  
50-VFE3190-X170



Double  
50-VFE3290-X170



50-VFE3190-R-X170



## How to Order Pilot Valves

**50-VF3-1 T M-X120**

**Explosion-proof**  

50	Flameproof, dustproof construction
----	------------------------------------

**Compliant standards**  

X120	IECEx
------	-------

**Rated voltage**  

AC (50/60 Hz)		DC	
1	100 VAC	5	24 VDC
2	200 VAC	6	12 VDC
3	110 VAC	V	6 VDC
4	220 VAC	Y	48 VDC
7	240 VAC	Z	110 VDC
8	48 VAC		
A	12 VAC		
B	24 VAC		

**Electrical connection port**  

Symbol	Thread type
M	M20 x 1.5
N	NPT1/2

**Manual override**  

Nil	Push type
D	Push-turn locking type D (slotted type)

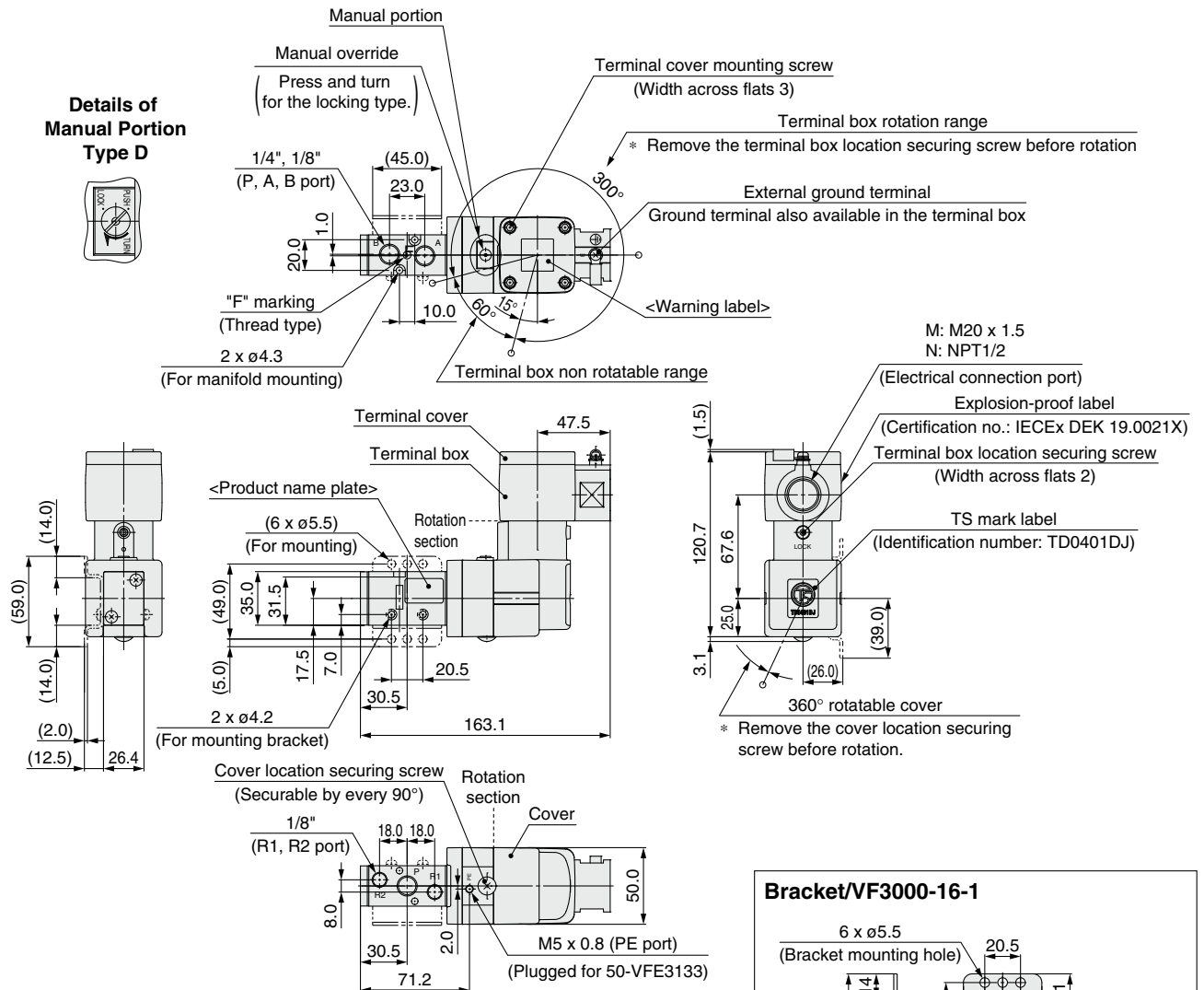
**External wire connection**  

T	Metal conduit threaded type Flameproof enclosure cable gland (not supplied) type
---	---

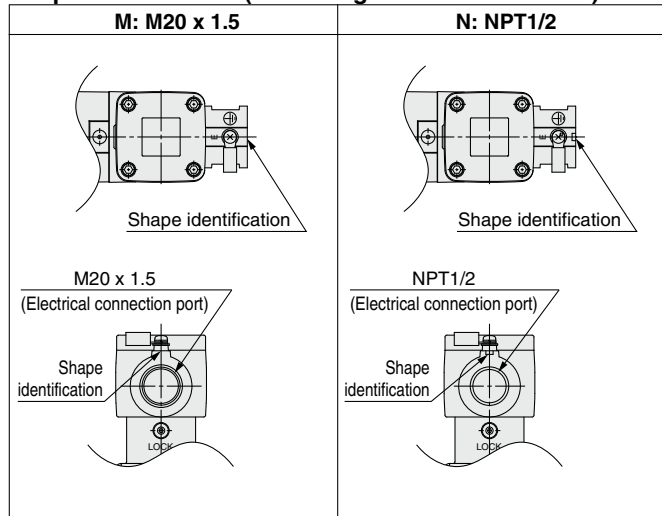
\* An order cannot be placed with only the pilot valve.

**50-VFE3000 Body Ported/2-Position Single**

**Metal conduit threaded type/50-VFE3130-□T(D)□-□□(-F)-X170**



**Shape identification (External ground terminal area)**



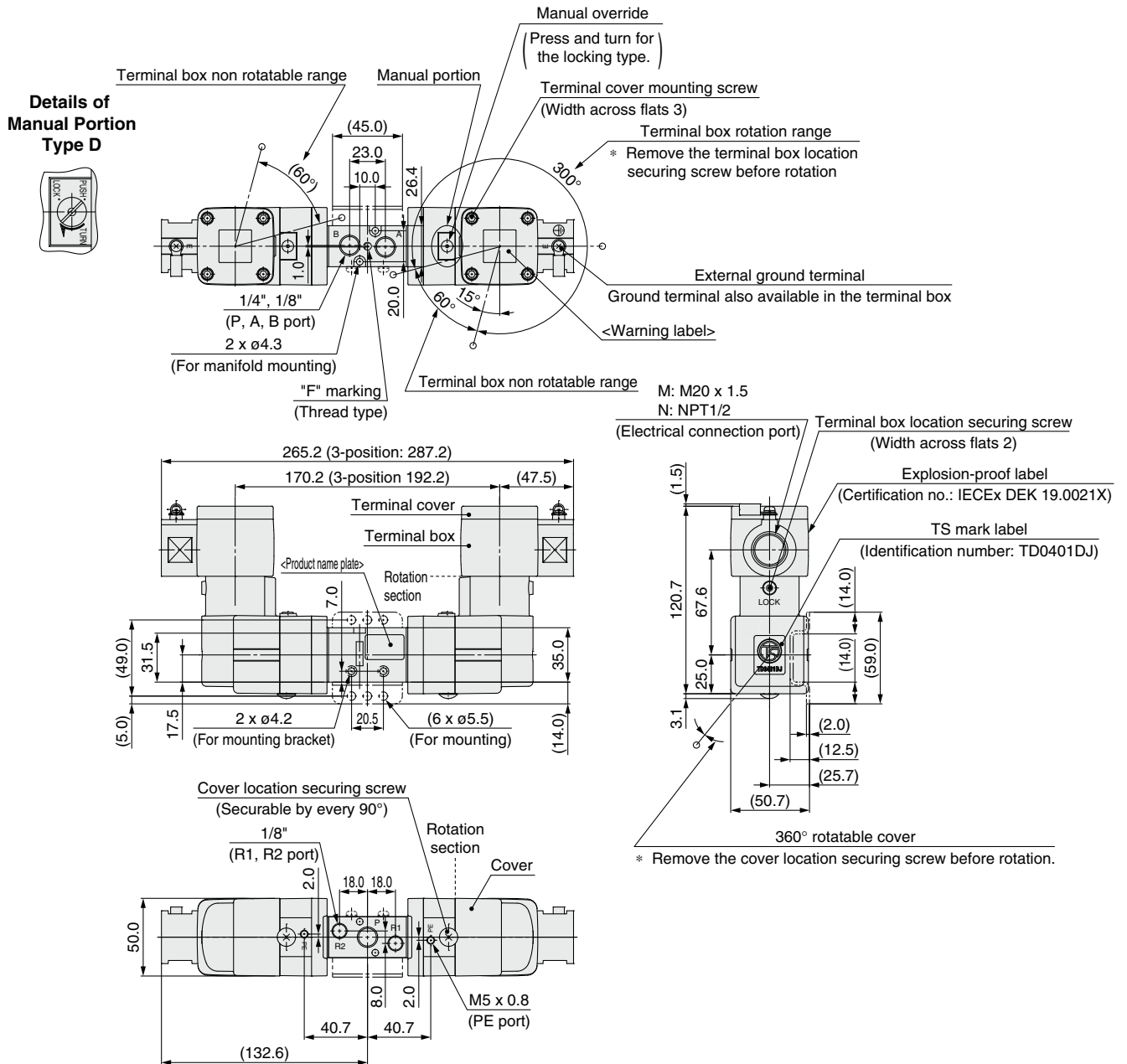
\* The shape identification is the same for the 50-VFE3000 and 5000.

Screw part number: AC00297 (M4 x 32, With spring washer)

# 50-VFE3000/5000-X170 Series

## 50-VFE3000 Body Ported/2-Pposition Double, 3-Position Closed Center, Exhaust Center, Pressure Center

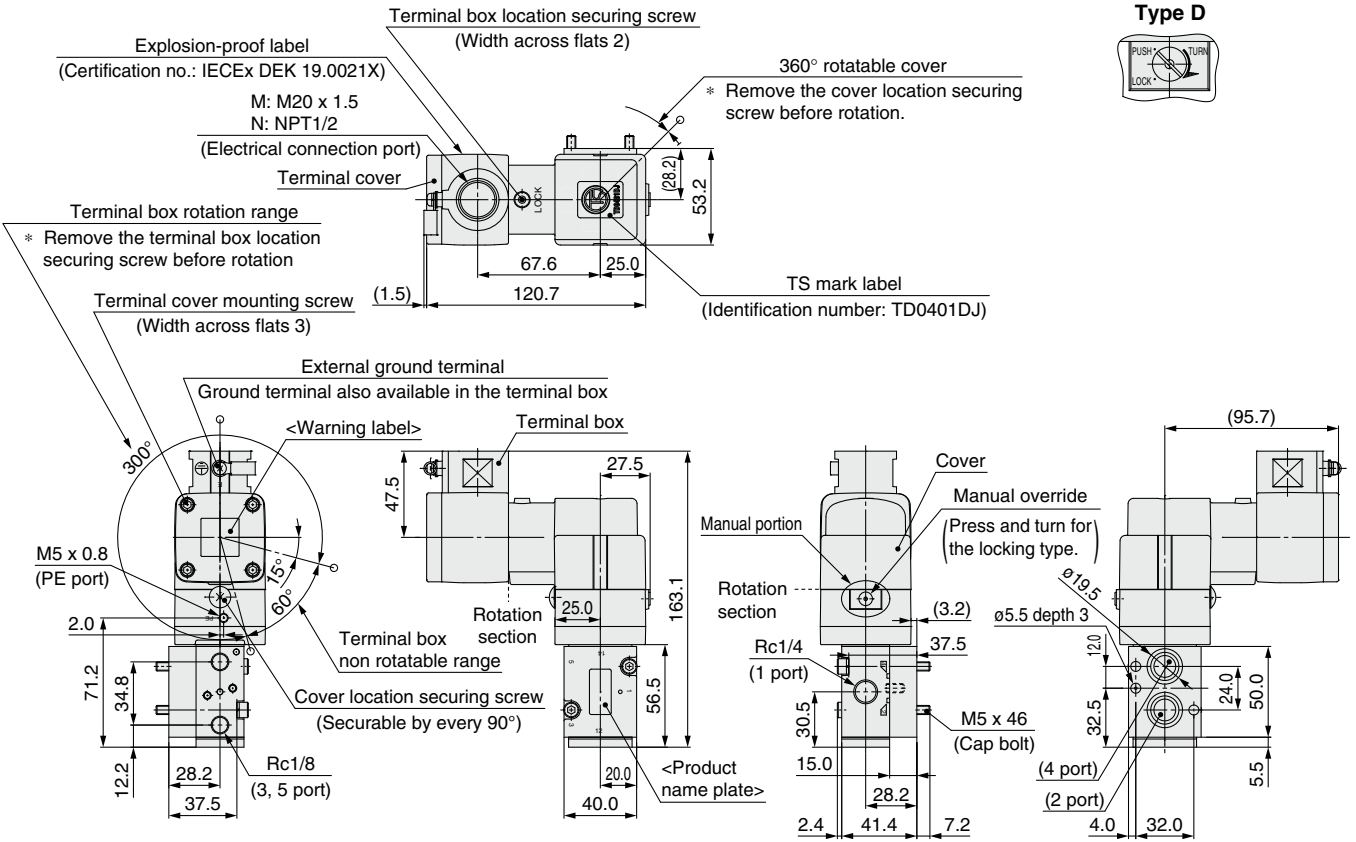
### Metal conduit threaded type/50-VFE3□30-□T(D)□-□□(-F)-X170



**50-VFE3000 Body Ported/2-Pposition Double, 3-Position Closed Center, Exhaust Center, Pressure Center**

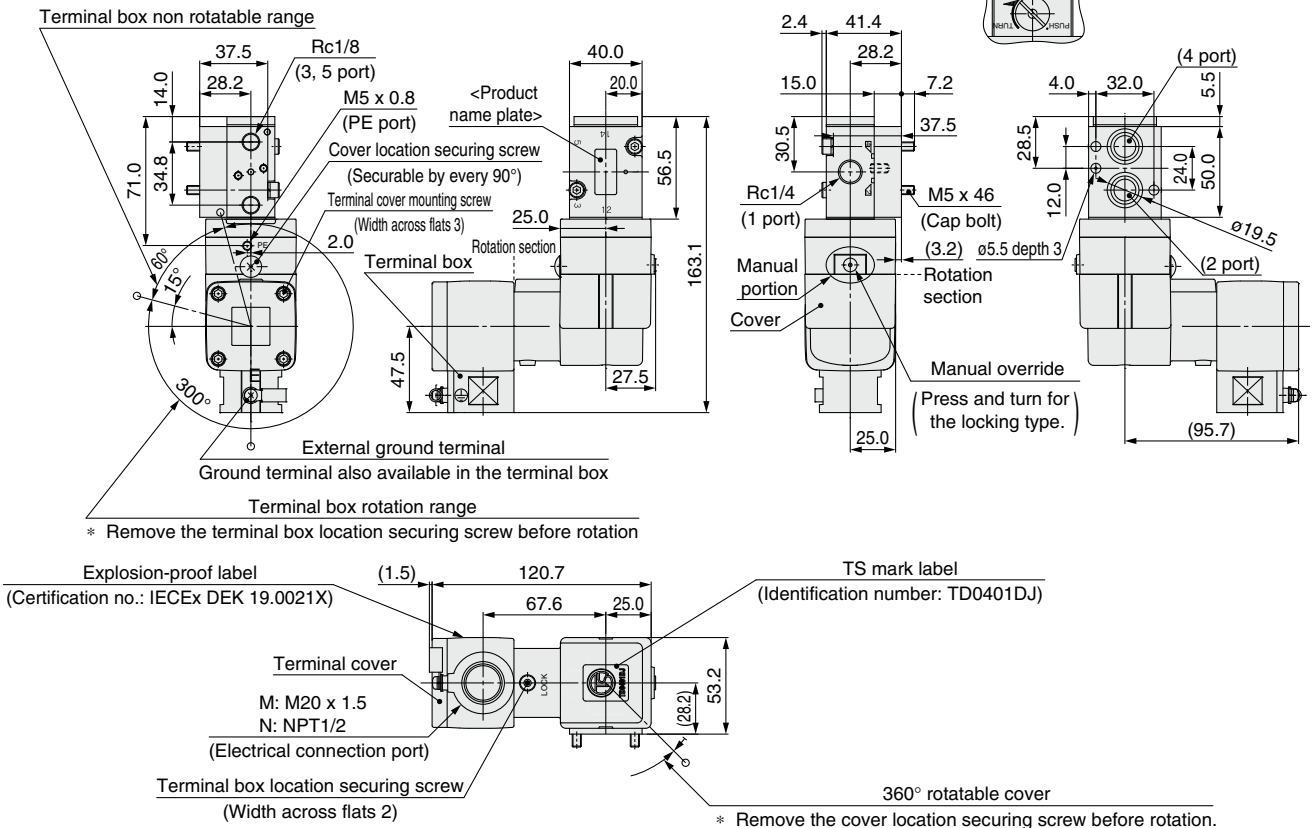
**NAMUR Interface/50-VFE3190-□T(D)□□(-1)-X170**

**Details of Manual Portion  
Type D**



**NAMUR Interface/50-VFE3190-□T(D)□□-R(-1)-X170**

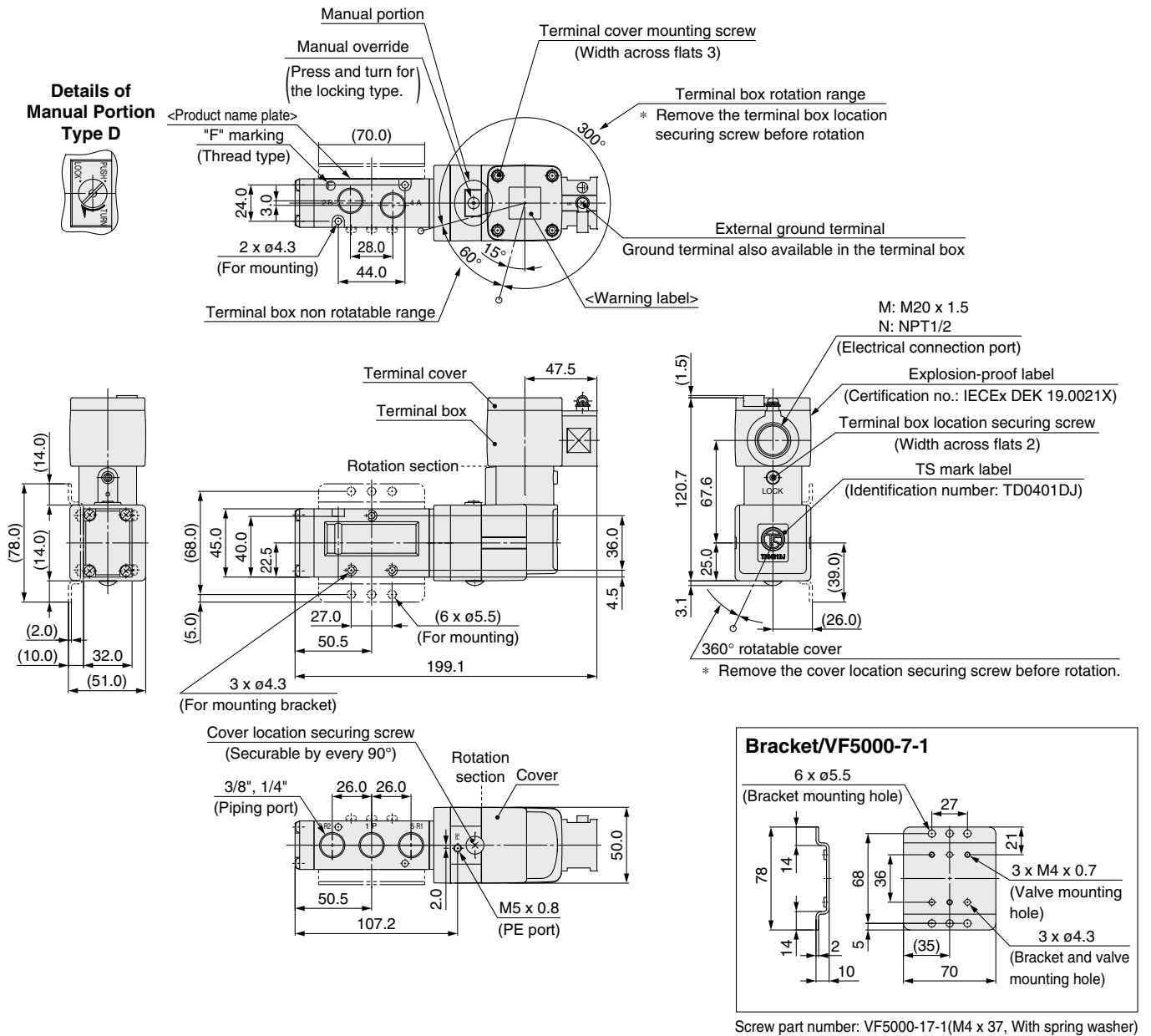
**Details of Manual Portion  
Type D**



# 50-VFE3000/5000-X170 Series

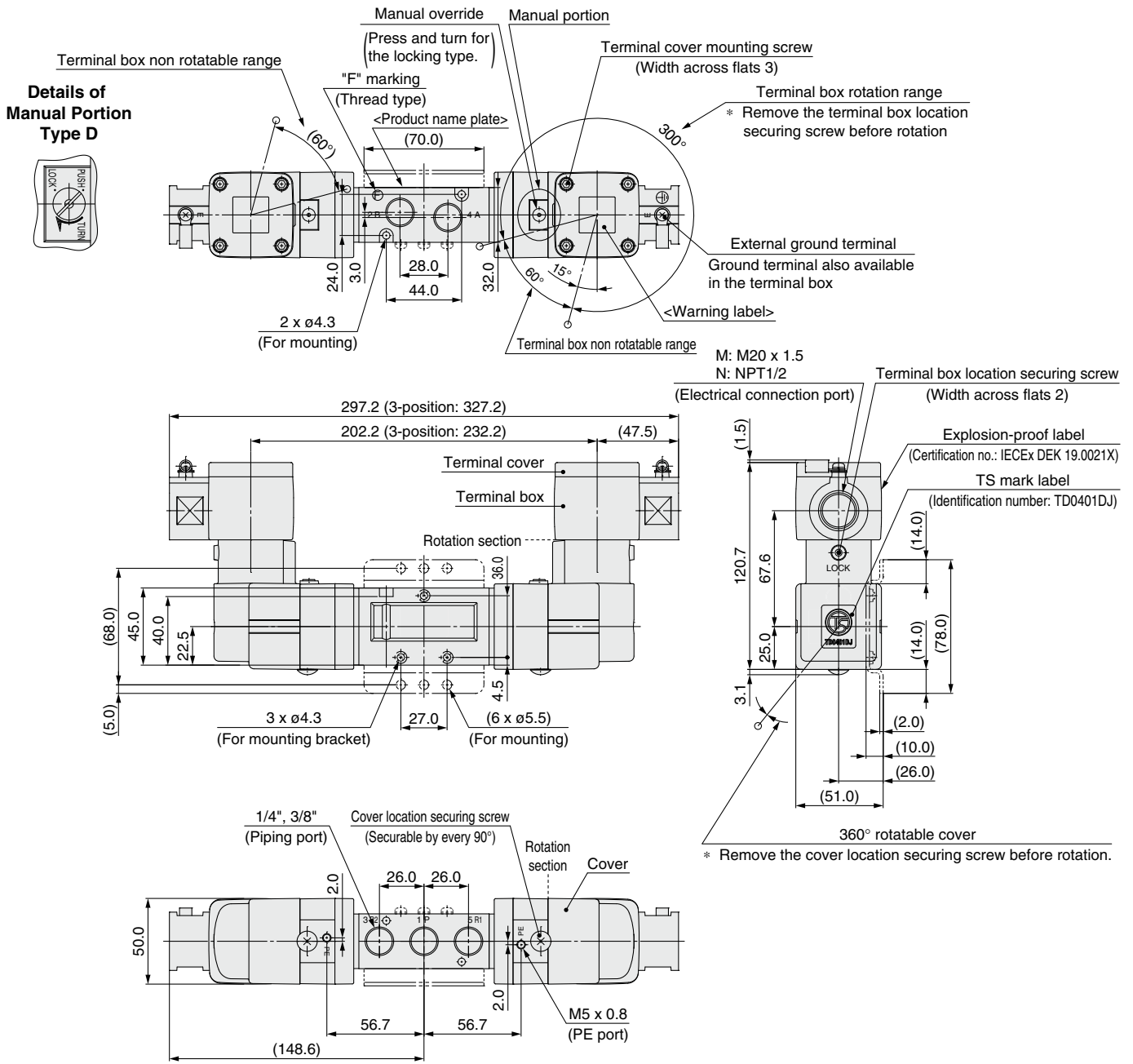
## 50-VFE5000 Body Ported/2-Position Single

### Metal conduit threaded type/50-VFE512□-□T(D)□-□□(-F)-X170



**50-VFE5000 Body Ported/2-Pposition Double, 3-Position Closed Center, Exhaust Center, Pressure Center**

**Metal conduit threaded type/50-VFE5□2□-□T(D)□-□□(-F)-X170**





# Manifold Specifications

### Manifold Specifications

Model		<sup>(2)</sup> Type 30	<sup>(2)</sup> Type 40	<sup>(3)</sup> Type 50
Applicable valve		50-VFE3□3 <sup>0</sup> -X170	50-VFE3□4 <sup>0</sup> -X170	50-VFE3□50-X170
Manifold type		Single base/B mount		
P(SUP)- <sup>(1)</sup> R(EXH)		Common SUP, Common EXH		Common SUP, Individual EXH
Valve stations		2 to 10 stations		
Piping direction	P	Side Base	Side Base	Side Base
	R	Side Base	Side Base	Top Valve
Port location	A·B	Top Valve	Bottom Base	Bottom Base
	P	1/4	1/4	1/4
Port size	R	1/4	1/4	1/4
	A·B	1/8, 1/4	1/4	1/4

\* Common exhaust type for main and pilot valve is possible only in the valves of common exhaust.

(1) Supply (P port) is common.

(2) For more than 8 stations, supply air to both sides of P port and exhaust air from both sides of R port.

(3) For more than 8 stations, supply air to both sides of P port.

### How to Order Manifold

Instruct by specifying the valves and blanking plate assembly to be mounted on the manifold along with the manifold base model no.

(Example) 50-VV5FE3-30-05 ..... 1 pc. (Manifold)  
 50-VFE3130-1TM-02-X170 ..... 2 pcs. (Valve)  
 50-VFE3230-1TM-02-X170 ..... 2 pcs. (Valve)  
 VF3000-13-1A ..... 1 pc. (Blanking plate)

### Common SUP/Common EXH \* For more than 8 stations, supply air to both sides of P port and exhaust air from both sides of R port.

#### Type 30

#### How to Order

50-VV5FE3-30-05

Stations	
02	2 stations
⋮	⋮
10	10 stations

\* The max. number of stations is 10 stations.

Applicable solenoid valve  
50-VFE3□3□-X170

Applicable blanking plate assembly  
VF3000-13-1A

#### Type 40

#### How to Order

50-VV5FE3-40-05-02

Stations		Base mounted type A, B port size	
02	2 stations	02	Rc 1/4
⋮	⋮		
10	10 stations		

\* The max. number of stations is 10 stations.

Applicable solenoid valve  
50-VFE3□4□-X170

Applicable blanking plate assembly  
VF3000-13-1A

### Common SUP/Individual EXH \* For more than 8 stations, supply air to both sides of P port.

#### Type 50

#### How to Order

50-VV5FE3-50-05-02

Stations		Base mounted type A, B port size	
02	2 stations	02	Rc 1/4
⋮	⋮		
10	10 stations		

\* The max. number of stations is 10 stations.

Applicable solenoid valve  
50-VFE3□50-X170

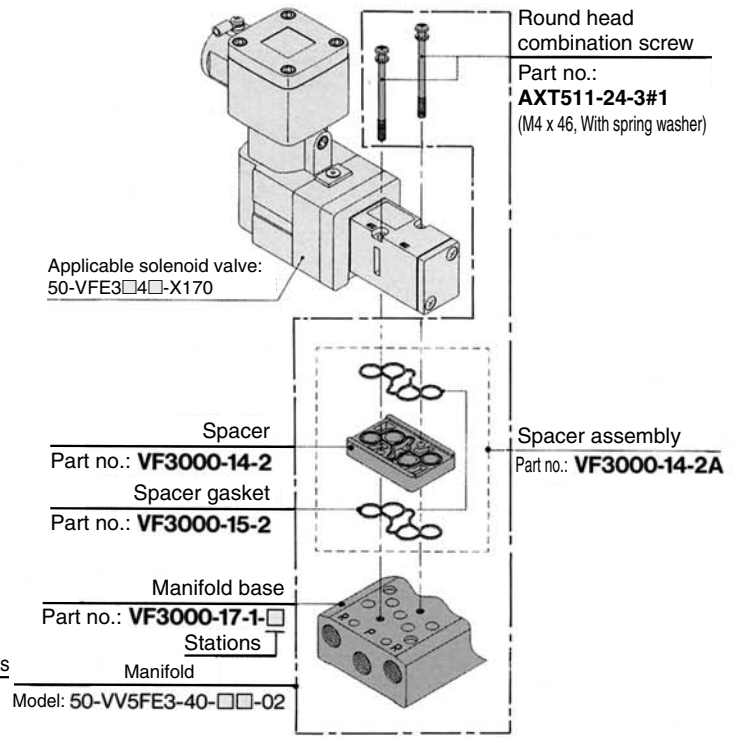
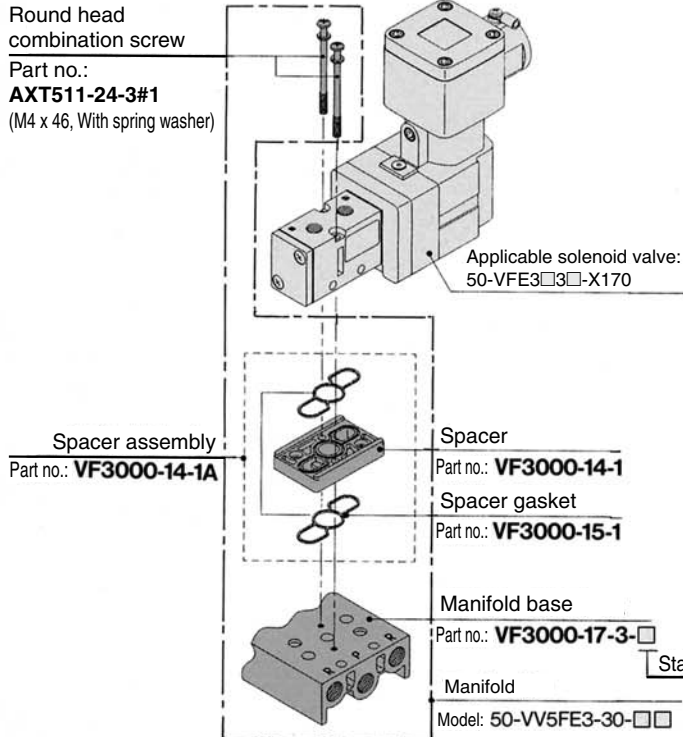
Applicable blanking plate assembly  
VF3000-13-1A

**Option**

**Manifold component parts**

**50-VV5FE3-30**

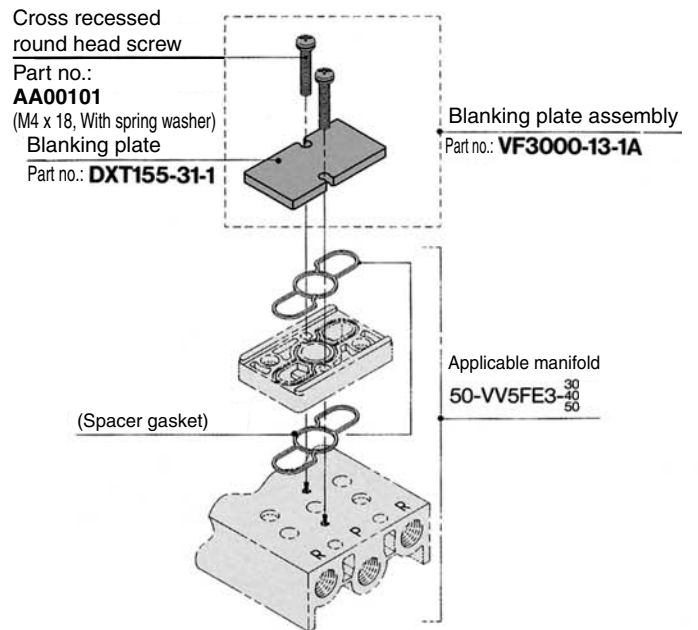
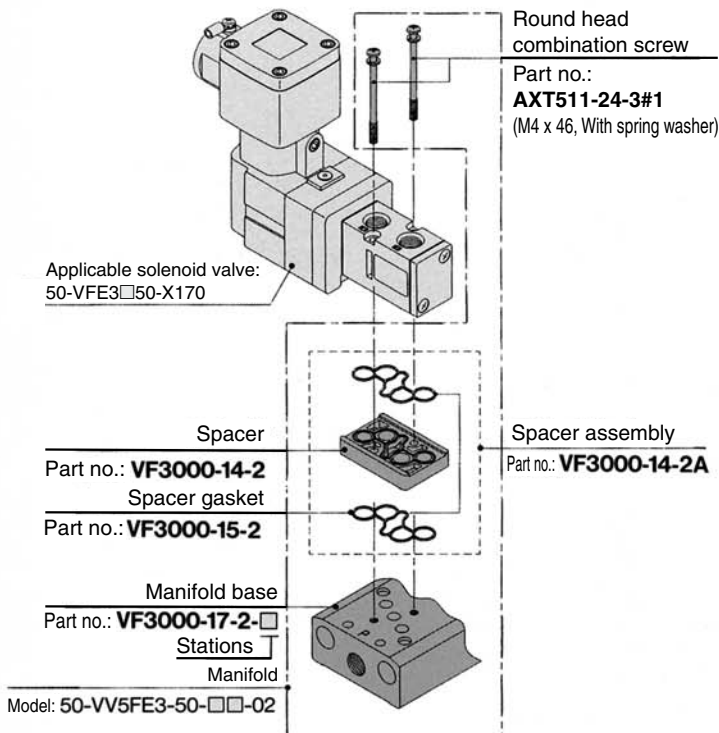
**50-VV5FE3-40**



**50-VV5FE3-50**

**Blanking plate assembly**

**VF3000-13-1A**



# Manifold Specifications

### Manifold Specifications

Model		(3)Type 20	(2)Type 21	(3)Type 40
Applicable valve		50-VFE5□□-X170		
Manifold type		Single base/B mount		
P(SUP)-(1)R(EXH)		Common SUP, Common EXH		
Valve stations		2 to 10 stations		
Piping direction	P	Side Base	Side Side block	Side Base
	R	Side Base	Side Side block	Side Base
Port location	A-B	Top Valve	Top Valve	Bottom Base
	P	3/8	1/2	3/8
Port size	R	3/8	1/2	3/8
	A-B	1/4, 3/8	1/4, 3/8	1/4

(1) Supply (P port) is common.

(2) For more than 8 stations, supply air to both sides of P port and exhaust air from both sides of R port.

(3) For more than 5 stations, supply air to both sides of P port and exhaust air from both sides of R port.

### How to Order Manifold

Instruct by specifying the valves and blanking plate assembly to be mounted on the manifold along with the manifold base model no.

(Example) 50-VV5FE5-20-05.....1 pc. (Manifold)  
 50-VFE5120-1TM-02-X170 .....2 pcs. (Valve)  
 50-VFE5220-1TM-02-X170 .....2 pcs. (Valve)  
 VF5000-4-1A .....1 pc. (Blanking plate)

### Common SUP/Common EXH

\* For more than 5 stations for type 20 and 40 or more than 8 station for type 21, supply air from both sides of supply P port and exhaust air from both sides of exhaust R port.

### Type 20

#### How to Order

50-VV5FE5-20-05

Stations	
02	2 stations
⋮	⋮
10	10 stations

\* The max. number of stations is 10 stations.

Applicable solenoid valve  
50-VFE5□□20-X170

Applicable blanking plate assembly  
VF5000-4-1A

### Type 21

#### How to Order

50-VV5FE5-21-05

Stations	
02	2 stations
⋮	⋮
10	10 stations

\* The max. number of stations is 10 stations.

Applicable solenoid valve  
50-VFE5□□20-X170

Applicable blanking plate assembly  
VF5000-4-1A

### Type 40

#### How to Order

50-VV5FE5-40-05-02

Stations	
02	2 stations
⋮	⋮
10	10 stations

\* The max. number of stations is 10 stations.

Base mounted type A, B port size	
02	Rc 1/4

Applicable solenoid valve  
50-VFE5□□44-X170

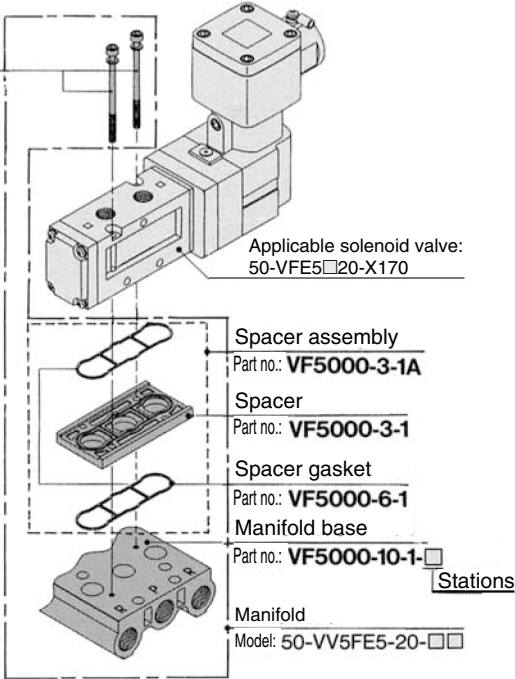
Applicable blanking plate assembly  
VF5000-4-1A

Option

Manifold component parts

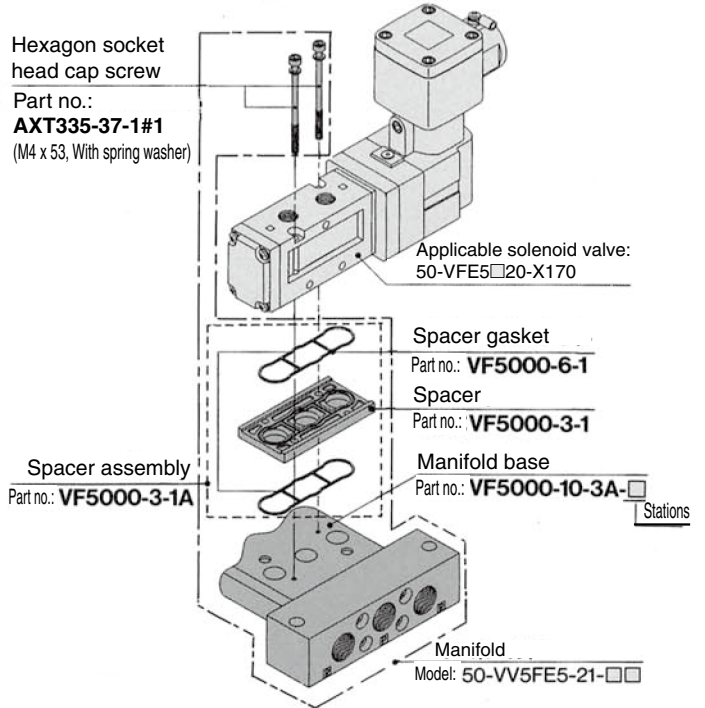
■50-VV5FE5-20

Hexagon socket head cap screw  
Part no.:  
**AXT335-37-1#1**  
(M4 x 53, With spring washer)

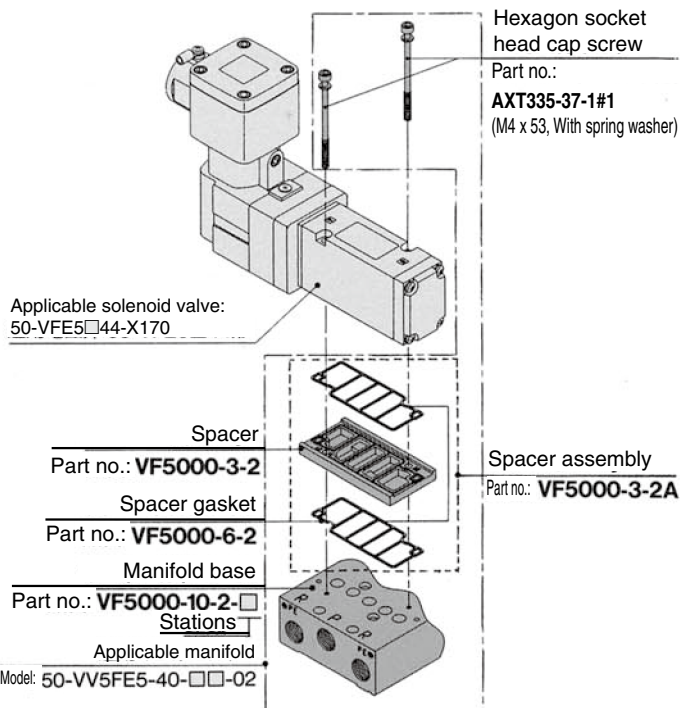


■50-VV5FE5-21

Hexagon socket head cap screw  
Part no.:  
**AXT335-37-1#1**  
(M4 x 53, With spring washer)

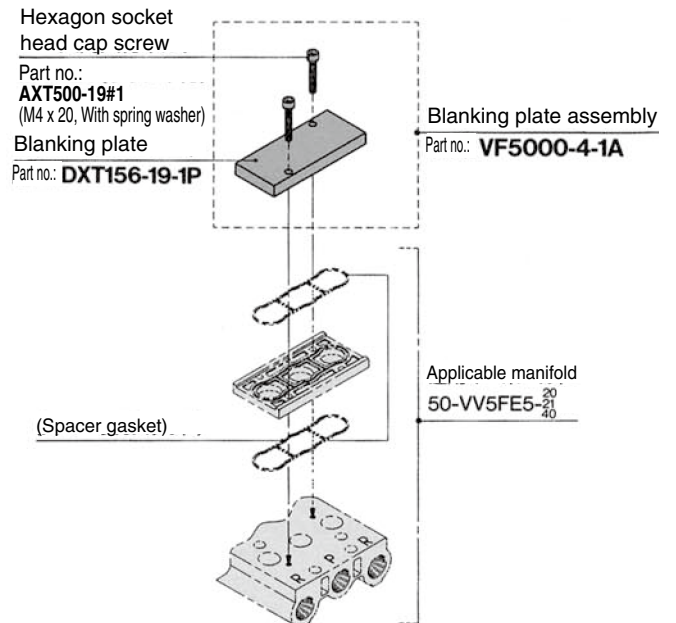


■50-VV5FE5-40



Blanking plate assembly

VF5000-4-1A





# TS Certification

# Pilot Operated 3-Port Solenoid Valve 50-VPE500/700-X170 Series

II Ex db IIC T5 Gb Ta : -20°C TO +55°C  
 II Ex db IIC T6 Gb Ta : -20°C TO +40°C  
 II Ex tb IIIC T100°C Db Ta : -20°C TO +55°C  
 II Ex tb IIIC T85°C Db Ta : -20°C TO +40°C

## Specifications

Fluid	Air		
Type of actuation	N.C. or N.O. (Convertible)		
Pilot type	Internal pilot	External pilot	
Operating pressure range	0.2 to 0.8 MPa	Supply pressure	-101.2 kPa to 0.8 MPa
		External pilot pressure	0.2 to 0.8 MPa
Ambient and fluid temperatures	T5: -10°C to 50°C T6: -10°C to 40°C		
Response time	45 ms or less (at 0.5 MPa)*1		
Max. operating frequency	1 Hz		
Lubrication	Not required		
Manual override	Non-locking push type		
	Push-turn locking type D		
Mounting orientation	Unrestricted		

\*1 Based on dynamic performance test, JIS B 8419: 2010. (0.5 MPa, at rated voltage.)

## Solenoid Specifications

External wiring connection		Flameproof threaded-joint metal conduit	
Coil rated voltage	AC (% Hz)	100, 200, 12, 24, 48, 110, 220, 240 V	
	DC	24, 6, 12, 48, 110 V	
Allowable voltage fluctuation		-15% to +10% of rated voltage	
Coil Insulation type		Class B	
Apparent power	AC	Starting	9.1 VA (50 Hz) 7.8 VA (60 Hz)
		Holding	6.2 VA (50 Hz) 4.6 VA (60 Hz)
Power consumption	DC	3.5 W (Coil rated voltage: 6, 12, 24 V)*2	

\*2 The other voltage: 4 W

## Option

Description	Part no.	Applicable
Bracket (With mounting screw)	VP500-27-3A	50-VPE542
	VP700-27-2A	50-VPE742

## Flow Rate Characteristics

Piping	Model	Port size	Flow rate characteristics												Weight kg
			1 → 2 (P → A)			2 → 3 (A → R)			3 → 2 (R → A)			2 → 1 (A → P)			
			C [dm <sup>3</sup> /(s·bar)]	b	Cv	C [dm <sup>3</sup> /(s·bar)]	b	Cv	C [dm <sup>3</sup> /(s·bar)]	b	Cv	C [dm <sup>3</sup> /(s·bar)]	b	Cv	
Body ported	50-VPE542-□□.02.03-X170	1/4	6.6	0.35	1.6	7.4	0.41	2.0	6.9	0.34	1.7	7.5	0.42	2.0	1.0
		3/8	9.1	0.42	2.4	9	0.43	2.4	8.8	0.36	2.2	9.3	0.43	2.5	
	50-VPE742-□□.03.04-X170	3/8	12	0.29	2.9	12	0.36	3.1	12	0.31	3.1	13	0.36	3.4	1.28
		1/2	15	0.23	3.8	14	0.25	3.8	15	0.22	3.7	16	0.29	4	

\*3 Weight for the flameproof threaded-joint metal conduit type

## Pilot Air Exhaust Port (PE Port)

There is a pilot air exhaust port (PE port) at the bottom of all pilot valves, excluding the common exhaust type. Please refrain from blocking this port as failure to do so may result in valve malfunction. In addition, if there is a possibility that the hazard classification will change due to the exhaust air, be sure to connect piping to this port and exhaust it to a safe location.

## Explosion Proof Precautions

- The zones of this valve are as follows.  
Gas: Zone 1 or 2  
Dust: Zone 21 or 22
- This valve is a Taiwan explosion-proof certified product and is therefore only for use within Taiwan.
- The external ground cable has a 4 to 6.64 mm<sup>2</sup> conductor cross section, so be sure to protect it from bending or excessive force.
- When using a cable gland, be sure to use a product with explosion-proof certification.
- Please use the product in accordance with other Taiwan laws.
- Be sure to operate this product within the temperature range stated in the specification chart. (The temperature range for the specification with a certified explosion-proof construction varies from the range stated in the standard model's specifications.)
- Be sure to implement measures to prevent static electricity from charging the non-metal parts on the external surface of the valve.
- As air is also exhausted from the valve PE port (pilot valve exhaust passage), be sure to confirm whether this will affect the ambient environment before use.
- Be sure to either use antistatic fittings or to implement static electricity prevention measures.

### How to Order

**50-VPE 5 4 2 [ ] - 1 T D M - 02 [ ] A - [ ] - X170**

**Explosion-proof**

<b>50</b>	Flameproof, dustproof construction
-----------	------------------------------------

**Body type**

Symbol	Body type, Applicable series	
	50-VPE500-X170	50-VPE700-X170
<b>5</b>	●	—
<b>7</b>	—	●

**Type of valve actuation**

<b>4</b>	In common between N.C. and N.O. (Pilot type)
----------	--

**Body model**

<b>2</b>	Body ported
----------	-------------

**Body option**

<b>Nil</b>	Standard (Internal pilot)
<b>R</b>	External pilot

**Rated voltage**

AC (50/60 Hz)		DC	
<b>1</b>	100 VAC	<b>5</b>	24 VDC
<b>2</b>	200 VAC	<b>6</b>	12 VDC
<b>3</b>	110 VAC	<b>V</b>	6 VDC
<b>4</b>	220 VAC	<b>Y</b>	48 VDC
<b>7</b>	240 VAC	<b>Z</b>	110 VDC
<b>8</b>	48 VAC		
<b>A</b>	12 VAC		
<b>B</b>	24 VAC		

**Symbol**

Type	N.C	N.O
Internal pilot (Standard)		
External pilot	Universal 	

**TS certification**

**Option**

<b>Nil</b>	None
<b>F</b>	With bracket

\* The bracket will be shipped unattached.

**Symbol**

<b>A</b>	Normally closed
<b>B</b>	Normally open

**Thread type (Port size)**

<b>Nil</b>	Rc
<b>F</b>	G
<b>N</b>	NPT
<b>T</b>	NPTF

**Port size (P, A, B)**

Symbol	Port size	Applicable series	
		50-VPE500-X170	50-VPE700-X170
<b>02</b>	1/4	●	—
<b>03</b>	3/8	●	●
<b>04</b>	1/2	—	●

**Electrical connection port**

Symbol	Thread type
<b>M</b>	M20 x 1.5
<b>N</b>	NPT1/2

**Manual override**

<b>Nil</b>	Non-locking push type
<b>D</b>	Push-turn locking type D (slotted type)

**External wire connection**

<b>T</b>	Metal conduit threaded type Flameproof enclosure cable gland (not supplied) type*1
----------	---

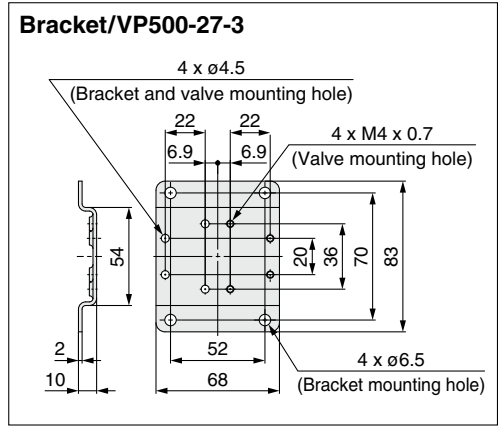
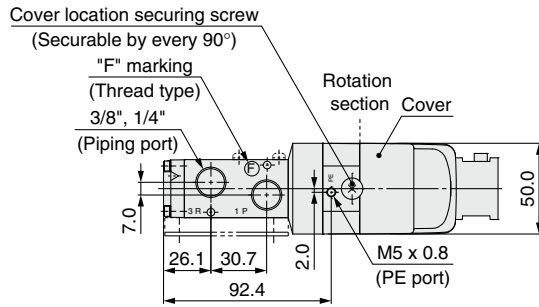
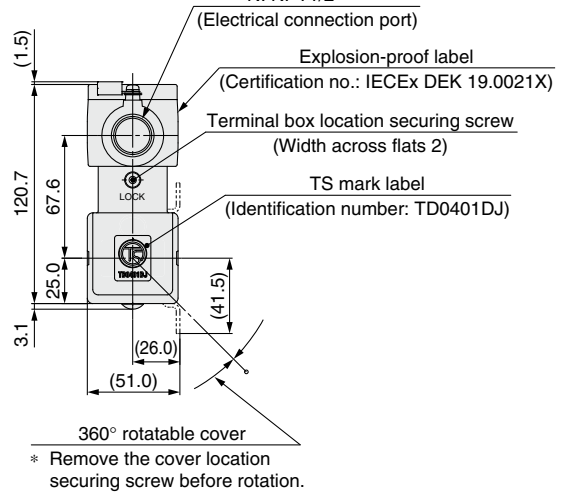
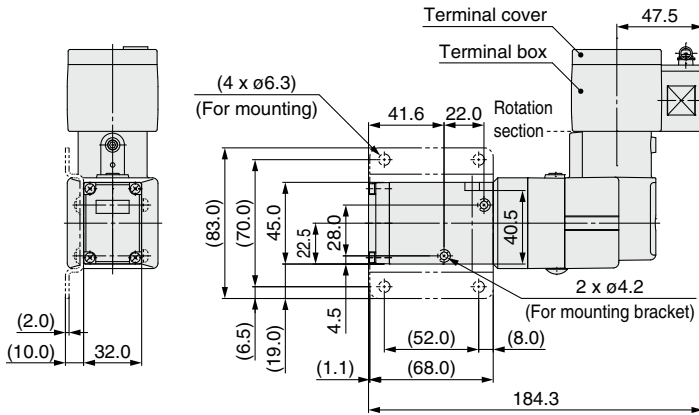
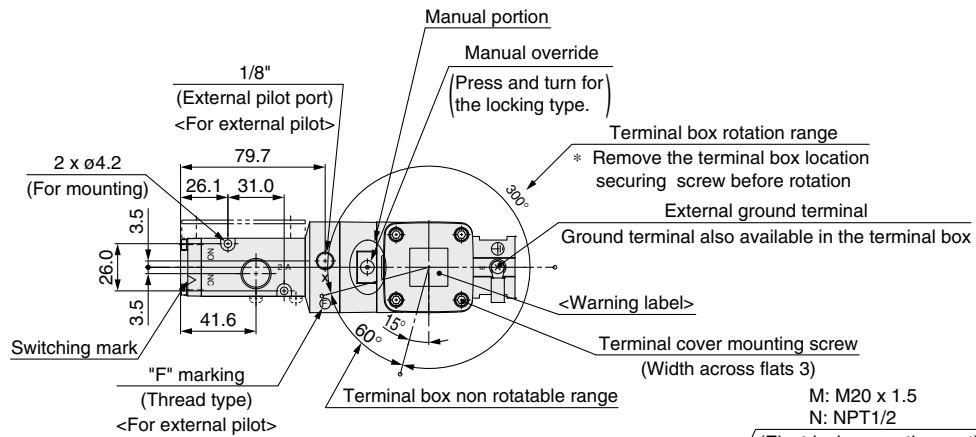
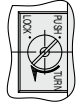
\*1 Please use a commercially available Taiwan explosion-proof certified cable gland if the product is to be used as a flameproof enclosure cable gland type valve.

# 50-VPE500/700-X170 Series

## Body Ported/50-VPE500

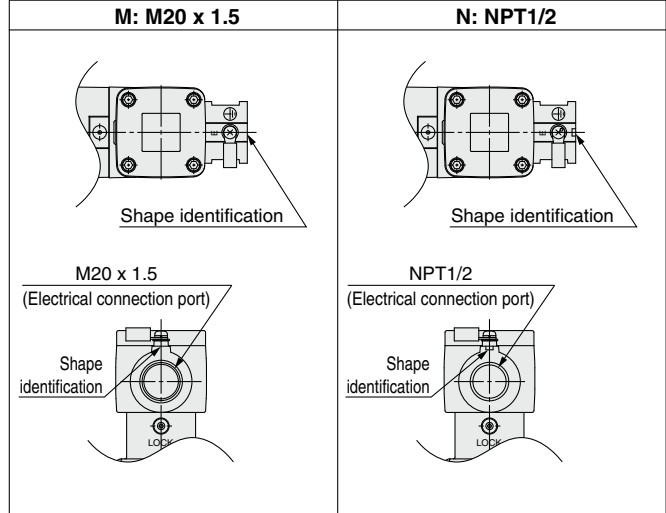
### Metal conduit threaded type/50-VPE542(R)-□T(D)□-□□□(-F)-X170

#### Details of Manual Portion Type D



Screw part number: AC00031 (M4 x 38, With spring washer)

#### Shape identification (External ground terminal area)



\* The shape identification is the same for the 50-VPE500 and 700.

**Body Ported/50-VPE700**

**Metal conduit threaded type/50-VPE742(R)-□T(D)□-□□□(-F)-X170**

