

Water Regulator

Pressure adjustment of water line

Model/Specifications

| Model | WR110-□-X224 | WR110-□-X215 |
|-------------------------------|--------------------------|-------------------------|
| Port size | Rc1/8, 1/4 | Rc1/8, 1/4, NPT1/8, 1/4 |
| Fluid *1 | Water | |
| Ambient and fluid temperature | -5 to 60°C (No freezing) | |
| Proof pressure | 1.72 MPa | |
| Maximum operating pressure | 0.8 MPa | |
| Set pressure range | 0.08 to 0.39 MPa | 0.05 to 0.69 MPa |
| Pressure gauge port size | Rc1/8, 1/4 | Rc1/8, 1/4, NPT1/8, 1/4 |
| Weight [kg] | 0.26 | |

- *1: Cannot be used with deionized water.
- *: When using a bracket, order the B21-1P separately.
- *: The pressure gauge is optional (sold separately). Refer to the table on the right.



Body material: Special brass

How to Order

Set pressure range: 0.08 to 0.39 MPa

WR110-02-X224

Port size

| | |
|----|-------|
| 01 | Rc1/8 |
| 02 | Rc1/4 |

Set pressure range: 0.05 to 0.69 MPa

WR110-□-02-X215

Thread type

| | |
|-----|-----|
| Nil | Rc |
| N | NPT |

Port size

| | |
|----|-----|
| 01 | 1/8 |
| 02 | 1/4 |

Pressure Gauge/Option (Sold separately)



For details, refer to the **WEB catalog**.

| Model | Pressure range *1 | Indication unit | Connection thread | Note |
|--------------------|-------------------|-----------------|-------------------|------|
| | MPa | | | |
| G46-4-01 to 02-SRB | 0 to 0.4 | MPa | R1/8 R1/4 | — |
| G46-7-02-SRB | 0 to 0.7 | | R1/4 | |
| G46-10-02-SRB | 0 to 1.0 | | | |

*1: Do not apply more pressure than the max. pressure displayed. It may cause a malfunction.

Related Equipment

Water Strainer Series WF300

Body material: Bronze
Mesh: 100/70/50/25 mesh



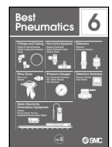
14-E628



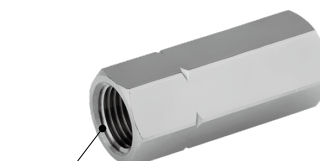
Check Valve

INA-14-290/XTO-674-□□

Body material: Brass



Best Pneumatics



Port size: Rc1/8



Port size: Rc1/4, 3/8, 1/2

WR110-□-X224/WR110-□-X215

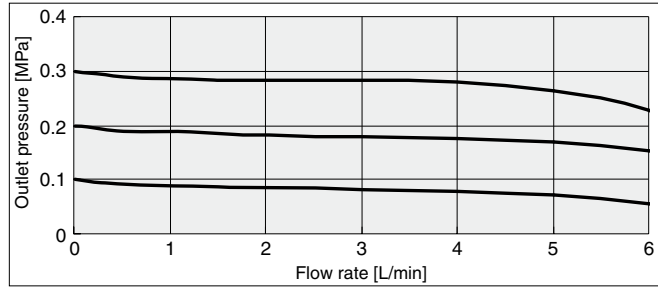


WR110-□-X224/WR110-□-X215

Flow Rate Characteristics Conditions/Fluid: Water, Port size: Rc1/4

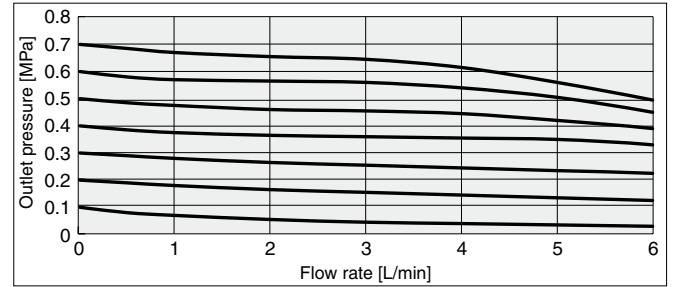
WR110-02-X224

Inlet pressure: 0.6 MPa

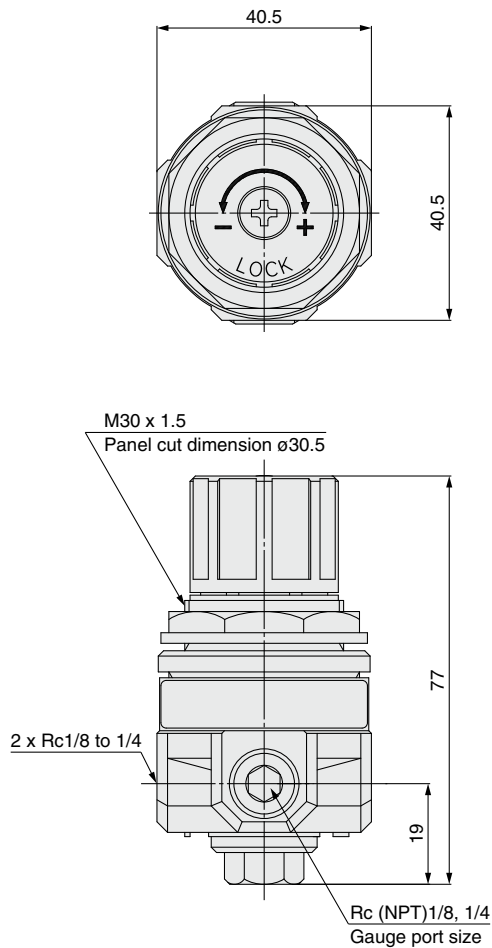


WR110-02-X215

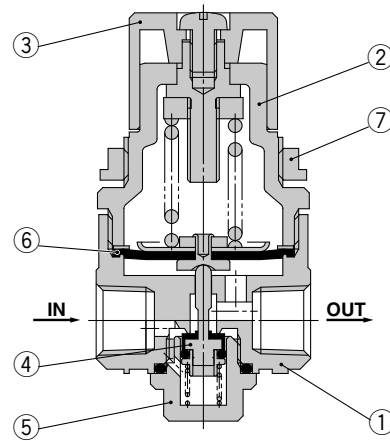
Inlet pressure: 0.8 MPa



Dimensions



Construction



Component Parts

| No. | Description | Material |
|-----|---------------------------|---------------------------------------|
| 1 | Body | Special brass |
| 2 | Bonnet | Nylon |
| 3 | Knob | ABS |
| 5 | Valve guide | Special brass |
| 6 | Diaphragm assembly | Weather resistant NBR/Stainless steel |
| 7 | Set nut | ZDC (Black zinc chromated) |

Replacement Parts

| No. | Description | Material | Part number |
|-----|--------------|---------------------|-------------|
| 4 | Valve | Stainless steel/NBR | 1349173-5 |

⚠ Safety Instructions Be sure to read the "Handling Precautions for SMC Products" (M-E03-3) and "Operation Manual" before use.