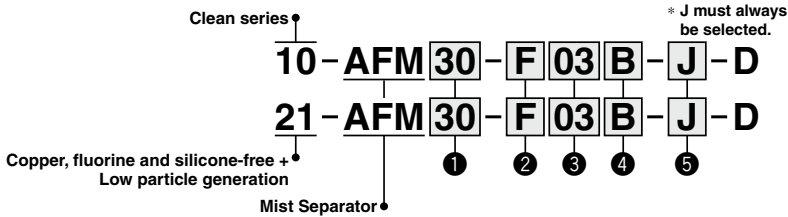


# 10-21-AFM-D series Mist Separator

## How to Order



● Semi-standard: Select one each for a to c.  
 ● Semi-standard symbol: When more than one specification is required, indicate in alphanumeric order.  
 Example) 10-AFM30-F03B-2JR-D

		Symbol	Description	① Body size		
				20	30	40
②	Pipe thread type	Nil	Rc	●	●	●
		N	NPT	●	●	●
		F	G	●	●	●
③	Port size	+				
		01	1/8	●	—	—
		02	1/4	●	●	●
		03	3/8	—	●	●
		04	1/2	—	—	●
06	3/4	—	—	●		
④ Option	Mounting	Nil	Without mounting option	●	●	●
		B <sup>Note 1)</sup>	With bracket	●	●	●
⑤ Semi-standard	a Bowl	+				
		Nil	Polycarbonate bowl	●	●	●
		2	Metal bowl	●	●	●
		6	Nylon bowl	●	●	●
		8	Metal bowl with level gauge	—	●	●
	C	With bowl guard	●	— <sup>Note 2)</sup>	— <sup>Note 2)</sup>	
	6C	With bowl guard (Nylon bowl)	●	— <sup>Note 3)</sup>	— <sup>Note 3)</sup>	
	Drain port <sup>Note 4)</sup>	+				
		J	Drain guide 1/8 Drain guide 1/4	● —	— ●	— ●
	b Flow direction	+				
Nil		Flow direction: Left to right	●	●	●	
R	Flow direction: Right to left	●	●	●		
c Unit	+					
	Nil	Unit on product label: MPa, °C	●	●	●	
Z <sup>Note 5)</sup>	Unit on product label: psi, °F	○ <sup>Note 6)</sup>	○ <sup>Note 6)</sup>	○ <sup>Note 6)</sup>		

Note 1) Option B is included in the package with the product but does not come assembled. The assembly consists of 2 types of the bracket and 2 mounting screws.

Note 2) A bowl guard is provided as standard equipment (polycarbonate).

Note 3) A bowl guard is provided as standard equipment (nylon).

Note 4) Be sure to select drain guide "J." Without a valve function. The mounting screws are the same as the thread of ②.

Note 5) For the pipe thread type: NPT. This product is for overseas use only according to the New Measurement Act. (The SI unit type is provided for use in Japan.)

Note 6) ○: For the pipe thread type: NPT only

Directional Control Valves

Air Cylinders

Rotary Actuators

Air Grippers

Air Preparation Equipment

Modular F. R.

Pressure Control Equipment

Fittings & Tubing

Flow Control Equipment

Pressure Switches/ Pressure Sensors

# Mist Separator <sup>10-</sup><sub>21-</sub>AFM-D

## Standard Specifications

Model	10-/21-AFM20-D	10-/21-AFM30-D	10-/21-AFM40-D	10-/21-AFM40-06-D
Port size	1/8, 1/4	1/4, 3/8	1/4, 3/8, 1/2	3/4
Fluid	Air			
Ambient and fluid temperatures	-5 to 60°C (No freezing)			
Proof pressure	1.5 MPa			
Max. operating pressure	1.0 MPa			
Min. operating pressure	0.05 MPa			
Max. flow capacity <sup>Note 1)</sup>	200 L/min (ANR)	450 L/min (ANR)	1,100 L/min(ANR)	
Nominal filtration rating <sup>Note 2)</sup>	0.3 μm (99.9% filtered particle size)			
Outlet side oil mist concentration <sup>Note 3) Note 4)</sup>	Max. 1.0 mg/m <sup>3</sup> (=0.8 ppm)			
Compressed air purity class <sup>Note 5) Note 6)</sup>	ISO8573-1: 2010 [3 : 7 : 3]			
Drain capacity	8 cm <sup>3</sup>	25 cm <sup>3</sup>	45 cm <sup>3</sup>	
Drain guide port size	1/8	1/4		
Grease	10-: Fluorine grease 21-: Lithium soap based grease			
Cleanliness class (ISO class)	10-: Class 3 21-: Class 3			

Note 1) Inlet pressure: 0.7 MPa. Flow at 20°C, atmospheric pressure, and 65% of the relative humidity  
The maximum flow capacity varies depending on the inlet pressure.  
Keep the air flow within the maximum flow capacity to prevent an outflow of lubricant to the outlet side.

Note 2) For the following conditions in accordance with [Test condition: ISO 8573-4:2001, Test method ISO 12500-3:2009 compliant] in addition to the conditions above  
Conditions: When a new element is used, and the flow capacity, inlet pressure, and the amount of solid bodies on the filter inlet side are stable

Note 3) The outlet side oil mist concentration for the following conditions in accordance with [Test condition: ISO 8573-2:2007, Test method ISO 12500-1:2007 compliant] in addition to the conditions above

Conditions: When a new element is used, the oil mist concentration on the filter inlet side is 10 mg/m<sup>3</sup>, and the flow capacity, inlet pressure, and the oil mist concentration on the filter inlet side are stable

Note 4) The bowl seal and other O-rings are slightly lubricated.

Note 5) The compressed air purity class is indicated based on ISO 8573-1:2010

Compressed air – Part 1: Contaminants and purity classes.

For details on this standard, refer to page 1068-22.

Note 6) The compressed air quality class on the inlet side is [ 6 : 8 : 4 ].

## Option/Part Nos.

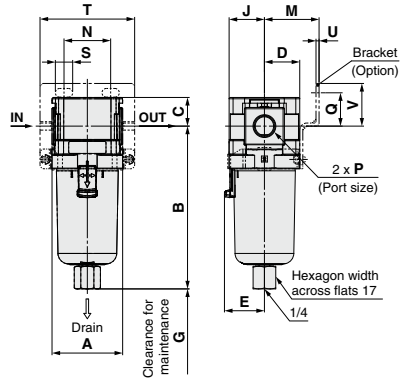
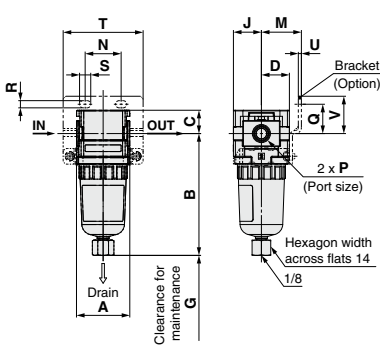
Option	Specifications	Part no.			
		10-/21-AFM20-D	10-/21-AFM30-D	10-/21-AFM40-D	10-/21-AFM40-06-D
Bracket assembly <sup>Note 1)</sup>	10-	10-AF24P-070AS	10-AF34P-070AS	10-AF44P-070AS	10-AF49P-070AS
	21-	AF24P-070AS	AF34P-070AS	AF44P-070AS	AF49P-070AS

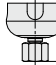
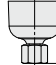
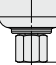
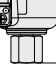
Note 1) The assembly consists of a bracket A/B and 2 mounting screws.

**Dimensions**

10-21-**AFM20-D**

10-21-**AFM30-D to AFM40-06-D**



Applicable model	10-21-AFM20-D		10-21-AFM30-D to AFM40-06-D	
Semi-standard	With bowl guard	Metal bowl	Metal bowl	Metal bowl with level gauge
Dimensions	 B	 B	 B	 B

Model	Standard specifications										Optional specifications							Semi-standard specifications		
	P	A	B	C	D	E	G	J	M	N	Bracket mount					With bowl guard	Metal bowl	Metal bowl with level gauge		
											Q	R	S	T	U	V	B	B	B	
10-21-AFM20-D	1/8, 1/4	40	91.4	17.5	21	—	45	21	30	27	22	5.4	8.4	60	2.3	28	91.4	93.9	—	
10-21-AFM30-D	1/4, 3/8	53	122.2	21.5	26.5	30	50	26.5	41	35	25	6.5	13	71	2.3	32	—	122.3	142.3	
10-21-AFM40-D	1/4, 3/8, 1/2	70	153.9	25.5	35.5	38.4	75	35.5	50	52	30	8.5	12.5	88	2.3	39	—	154.1	174.1	
10-21-AFM40-06-D	3/4	75	155.9	27	35.5	38.4	75	35.5	50	52	34	8.5	12.5	88	2.3	43	—	156.1	176.1	

- Directional Control Valves
- Air Cylinders
- Rotary Actuators
- Air Grippers
- Air Preparation Equipment
- Modular F. R.
- Pressure Control Equipment
- Fittings & Tubing
- Flow Control Equipment
- Pressure Switches/ Pressure Sensors