

Rotary Table: Vane Type

25A-MSUB Series

Size: 1, 3, 7, 20

RoHS



How to Order

Without auto switch 25A-M SUB 20-90 S

With auto switch 25A-M D SUB 20-90 S-T79 L

Series compatible with secondary batteries

With auto switch (Built-in magnet)

Nominal size (Torque)

1	MSUB 1
3	MSUB 3
7	MSUB 7
20	MSUB20

Rotating angle

Application	Symbol	Rotating angle
Single vane	90	90°
	180	180°
Double vane	90	90°

Rotation adjustment range
Single vane: Both ends ±5° each
Double vane: Both ends ±2.5° each

Connection port location

Nil	Side ported
E	Axial ported

Available with side ported only, when equipped with auto switch unit.

Vane type

S	Single vane
D	Double vane

Number of auto switches

S	1*1
Nil	2*2

*1 S (1 auto switch) is shipped with a right-hand auto switch.
*2 Nil (2 auto switches) is shipped with a right-hand and a left-hand switch.

Electrical entry/Lead wire length

Nil	Grommet/Lead wire: 0.5 m
L	Grommet/Lead wire: 3 m

Auto switch

Nil	Without auto switch (Built-in magnet)
-----	---------------------------------------

* Refer to page 259 for applicable auto switches.

- * The 25A- series specifications and dimensions are the same as those of the standard model.
- * Zinc is used in part of deep groove ball bearing.

For details, refer to the **Web Catalog**.

Directional Control Valves

Air Cylinders

Related Products

Rotary Actuators

Air Grippers

Vacuum Equipment

Air Preparation Equipment

Clean Air Filters

Modular F.R.L./Pressure Control Equipment

Flow Control Equipment/Fittings

Detection Switches

Fluid Control Equipment

Process Gas Equipment

Electric Actuators

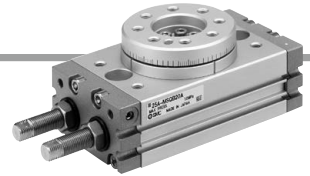
Auto Switches

Rotary Table/Rack & Pinion Type

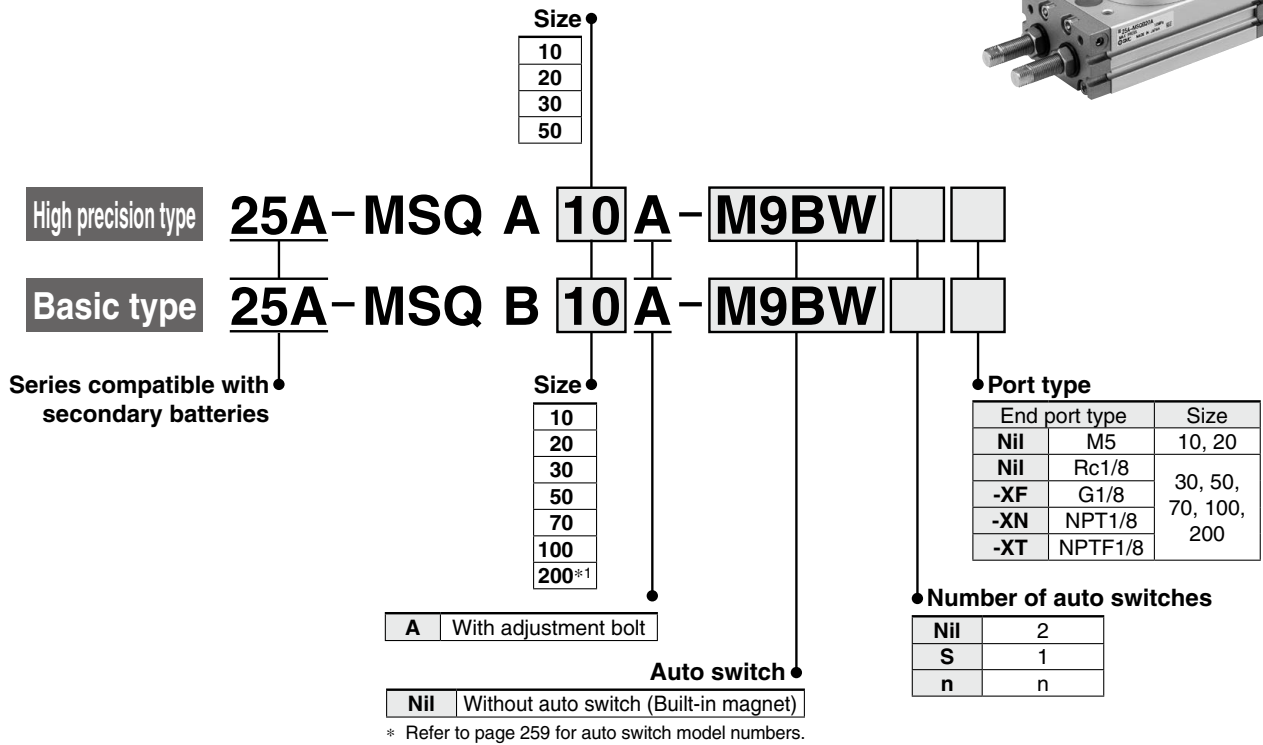
25A-MSQ Series

Size: 10, 20, 30, 50, 70, 100, 200

RoHS



How to Order

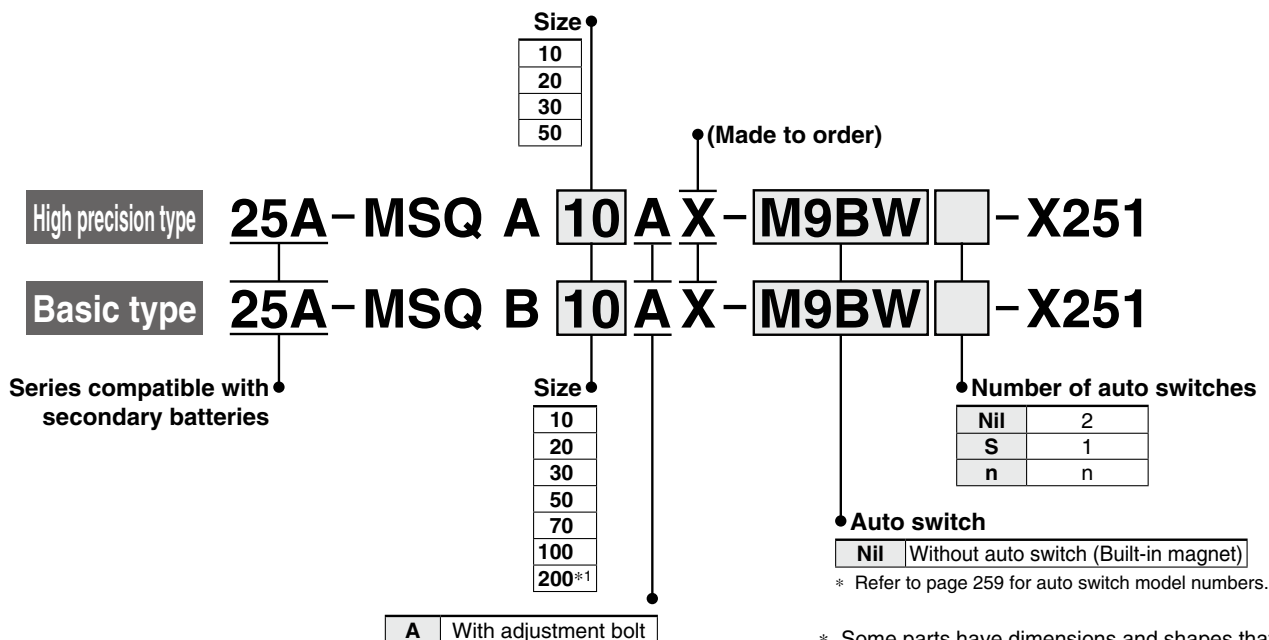


- *1 Size 200 is produced upon receipt of order.
- * Zinc is used in part of deep groove ball bearing and seal washer.
- * Side port cannot be used.

- * Some parts have dimensions and shapes that are different from those of the standard model. Refer to page 162 for details. Other specifications are the same as those of the standard model.

For details, refer to the **Web Catalog**.

With Vacuum Port



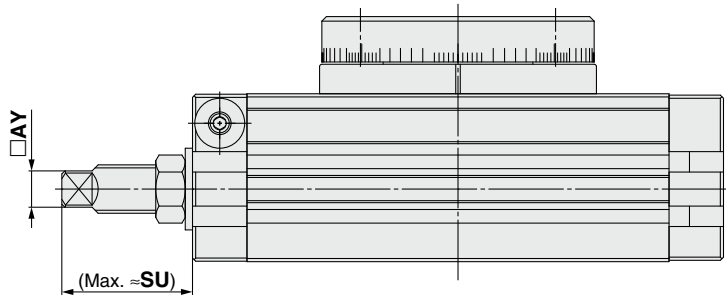
- *1 Size 200 is produced upon receipt of order.
- * Zinc is used in part of deep groove ball bearing and seal washer.
- * Side port cannot be used.

- * Some parts have dimensions and shapes that are different from those of the standard model. Refer to page 162 for details. Other specifications are the same as those of the standard model.

For details, refer to the **Web Catalog**.

Dimensions

25A-MSQB□A

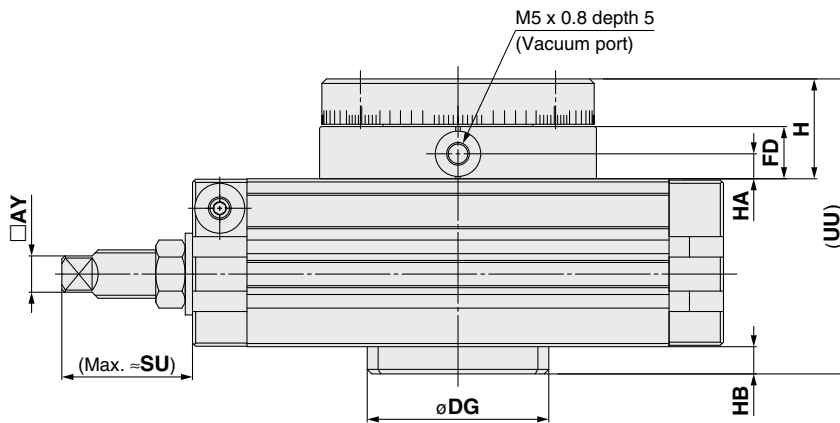


[mm]		
Size	AY	SU
10	6	23.7
20	8	33
30	8	33
50	10	42.9
70	16	44.2
100	16	44.3
200	21	52.2

* Dimensions other than those shown above are identical to the standard products.

For details, refer to the **Web Catalog**.

25A-MSQB□AX-X251



[mm]								
Size	AY	DG	FD	H	HA	HB	SU	UU
10	6	35h9	11.5	20	5.5	5	23.7	59
20	8	40h9	11.5	22	5.5	6	33	65
30	8	48h9	11.5	22	5.5	6	33	68
50	10	54h9	11.5	24	5.5	7	42.9	77
70	16	50h9	12	25	6	7	44.2	85
100	16	52h9	12	27	6	7	44.3	93
200	21	64h9	15	32	7.5	8	52.2	114

* The product with the vacuum port has no hollow shaft at its rotation center.
 * Dimensions other than those shown above are identical to the standard products.

For details, refer to the **Web Catalog**.

Directional
Control Valves

Air Cylinders

Related
Products

Rotary
Actuators

Air Grippers

Vacuum
Equipment

Air Preparation
Equipment

Clean
Air Filters

Modular F.R.L./
Pressure Control
Equipment

Flow Control
Equipment/
Fittings

Detection
Switches

Fluid Control
Equipment

Process Gas
Equipment

Electric
Actuators

Auto
Switches

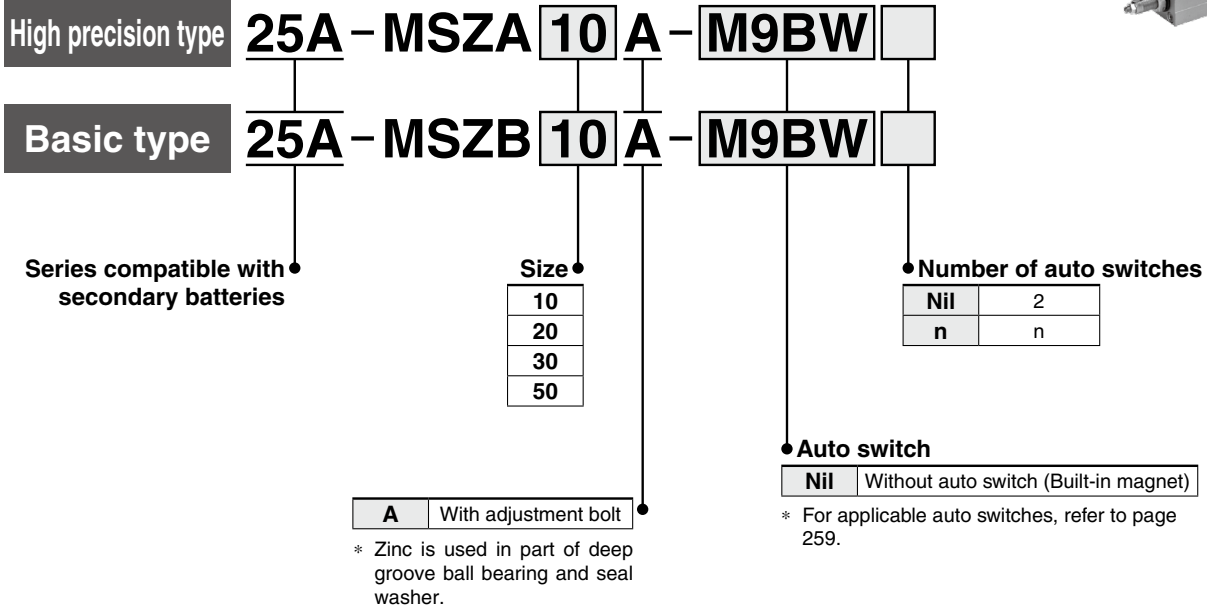
3-Position Rotary Table

25A-MSZ Series

Size: 10, 20, 30, 50

RoHS

How to Order



* The 25A- series specifications and dimensions are the same as those of the standard model.

For details, refer to the **Web Catalog**.