

Mini Free Mount Cylinder

25A-CUJ Series

∅6, ∅8, ∅10



How to Order



25A CUJ B 6 - 10 D

With auto switch: 25A - CDUJ B 6 - 10 D - F8N

Series compatible with secondary batteries

With auto switch (Built-in magnet)

Mounting

B	Basic (Through-hole)
---	----------------------

Bore size

6	6 mm
8	8 mm
10	10 mm

Standard stroke [mm]

Bore size	Standard stroke
6, 8, 10	4, 6, 8, 10, 15, 20, 25, 30

Number of auto switches

Nil	2
S	1

* M9□: With 1 pc.

Auto switch

Nil	Without auto switch
-----	---------------------

* For applicable auto switches, refer to page 256.

Rod end thread

Nil	Rod end female thread
M	Rod end male thread

Action

D	Double acting
---	---------------

Built-in Magnet Cylinder Model

If a built-in magnet cylinder without an auto switch is required, there is no need to enter the symbol for the auto switch.
(Example) 25A-CDUJB8-15DM

* The 25A-series specifications are the same as those of the standard model.

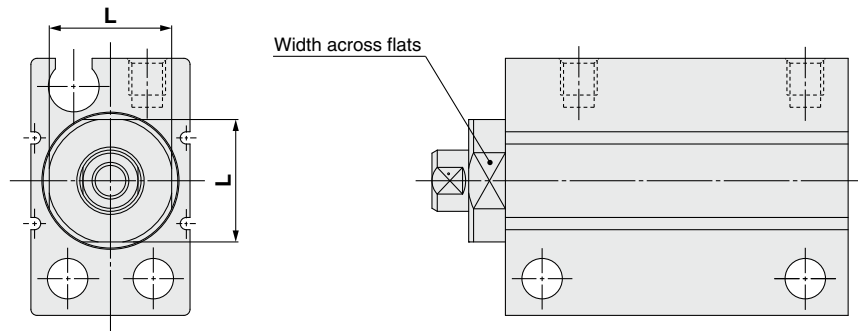
For details, refer to the **Web Catalog**.

Dimensions (Dimensions other than those shown below are the same as the standard model.) For details, refer to the **Web Catalog**.

25A-C□UJB⁶₈₁₀

* The position of the width across flats may not be parallel to the cylinder tube

Bore size	L dimension [mm]
6	8
8	10
10	11



Width across flats

Mini Free Mount Cylinder

25A-CUJ Series

∅12, ∅16, ∅20



How to Order



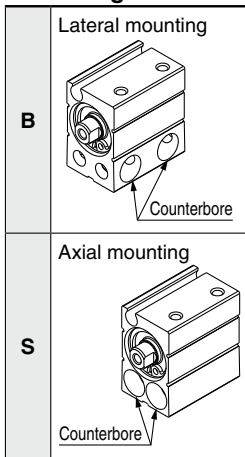
25A - CUJ B 12 - 30 D

With auto switch 25A - CDUJ B 12 - 30 D - F8N

Series compatible with secondary batteries

With auto switch (Built-in magnet)

Mounting direction



Bore size

12	12 mm
16	16 mm
20	20 mm

Standard stroke [mm]

Bore size	Standard stroke
12, 16, 20	5, 10, 15, 20, 25 30, 35, 40, 45, 50

Action

D	Double acting
----------	---------------

Rod end thread

Nil	Rod end female thread
M	Rod end male thread

Auto switch

Nil	Without auto switch
------------	---------------------

* For applicable auto switches, refer to page 256.

Number of auto switches

Nil	2
S	1

* M9□: With 1 pc.

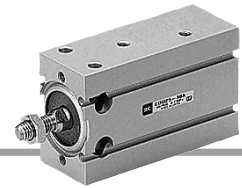
Built-in Magnet Cylinder Model

If a built-in magnet cylinder without an auto switch is required, there is no need to enter the symbol for the auto switch.
(Example) 25A-CDUJB12-15DM

* The 25A- series specifications and dimensions are the same as those of the standard model.

For details, refer to the **Web Catalog**.

Free Mount Cylinder Double Acting, Single Rod **25A-CU Series** ø10, ø16, ø20, ø25, ø32



How to Order

25A - C D U 16 - 30 D - M9BW []

Series compatible with secondary batteries

With auto switch

Nil	Without magnet for switch*1
D	With auto switch (Built-in magnet)

*1 In the case of without magnet for switch, auto switch cannot be mounted.

Bore size

10	10 mm
16	16 mm
20	20 mm
25	25 mm
32	32 mm

Action

D	Double acting
---	---------------

Cylinder stroke [mm]

Bore size	Standard stroke	Long stroke
10, 16	5, 10, 15, 20, 25, 30	40, 50, 60
20, 25, 32	5, 10, 15, 20, 25, 30, 40, 50	60, 70, 80, 90, 100

Number of auto switches

Nil	2
S	1

Auto switch

Nil	Without auto switch
-----	---------------------

* Refer to page 256 for applicable auto switches.

Built-in Magnet Cylinder Model

If a built-in magnet cylinder without an auto switch is required, there is no need to enter the symbol for the auto switch.
(Example) 25A-CDU20-25D

* The 25A- series specifications and dimensions are the same as those of the standard model.

For details, refer to the **Web Catalog**.

Directional Control Valves

Air Cylinders

Related Products

Rotary Actuators

Air Grippers

Vacuum Equipment

Air Preparation Equipment

Clean Air Filters

Modular F.R.L./Pressure Control Equipment

Flow Control Equipment/Fittings

Detection Switches

Fluid Control Equipment

Process Gas Equipment

Electric Actuators

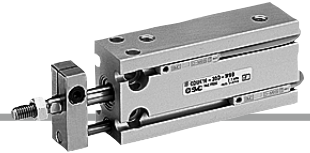
Auto Switches

Free Mount Cylinder: Non-rotating Rod Type Double Acting, Single Rod

25A-*CUK* Series

∅10, ∅16, ∅20, ∅25, ∅32

RoHS



How to Order

25A - C D UK 16 - 30 D - M9BW

Series compatible with secondary batteries

With auto switch

Nil	Without magnet for switch*1
D	With auto switch (Built-in magnet)

*1 In the case of without magnet for switch, auto switch cannot be mounted.

Non-rotating rod type

Bore size

10	10 mm
16	16 mm
20	20 mm
25	25 mm
32	32 mm

Number of auto switches

Nil	2
S	1

Auto switch

Nil	Without auto switch
-----	---------------------

* Refer to page 256 for applicable auto switches.

Action

D	Double acting
---	---------------

Cylinder stroke [mm]

Bore size	Standard stroke	Long stroke
10, 16	5, 10, 15, 20, 25, 30	40, 50, 60
20, 25, 32	5, 10, 15, 20, 25, 30, 40, 50	60, 70, 80, 90, 100

Built-in Magnet Cylinder Model

If a built-in magnet cylinder without an auto switch is required, there is no need to enter the symbol for the auto switch.

(Example) 25A-CDUK20-25D

* The 25A- series specifications and dimensions are the same as those of the standard model.

For details, refer to the **Web Catalog**.

Compact Cylinder: Standard Type Double Acting, Single Rod

25A-CQS Series

∅12, ∅16, ∅20, ∅25

RoHS



How to Order

25A - C D QS B 20 - 30 D - M9BW

Series compatible with secondary batteries

With auto switch

Nil	Without magnet for switch*1
D	With auto switch (Built-in magnet)

*1 In the case of without magnet for switch, auto switch cannot be mounted.

Mounting

B	Through-hole/Both ends tapped common (Standard)
L	Foot
LC	Compact foot
F	Rod flange
G	Head flange
D	Double clevis

- * In the case of long strokes, use either ends tapped mounting or bracket mounting.
- * Mounting brackets are shipped together with the product but do not come assembled.
- * Cylinder mounting bolts are not included.

Bore size

12	12 mm
16	16 mm
20	20 mm
25	25 mm

Number of auto switches

Nil	2
S	1
n	n

Auto switch

Nil	Without auto switch
-----	---------------------

* Refer to page 256 for applicable auto switch models.

Body option

<Standard stroke>

Nil	Standard
C	With rubber bumper
M	Rod end male thread

* Combination of body options is available.

<Long stroke>

C	With rubber bumper Rod end female thread (Standard)
CM	With rubber bumper Rod end male thread

* Rubber bumper is standard equipment for long stroke type.

Action

D	Double acting
---	---------------

Cylinder stroke [mm]

Bore size	Standard stroke	Long stroke
12, 16	5, 10, 15, 20, 25, 30	35, 40, 45, 50, 75, 100, 125, 150, 175, 200
20	5, 10, 15, 20, 25, 30, 35, 40, 45, 50	75, 100, 125, 150, 175, 200
25		75, 100, 125, 150, 175, 200, 250, 300

Built-in Magnet Cylinder Model

If a built-in magnet cylinder without an auto switch is required, there is no need to enter the symbol for the auto switch.
(Example) 25A-CDQSL25-30D

* The 25A- series specifications and dimensions are the same as those of the standard model.

For details, refer to the Web Catalog.

Mounting Bracket Part Nos. for the 25A- Series

Bore size [mm]	Foot*1	Compact foot*1	Flange	Double clevis
12	25A-CQS-L012	25A-CQS-LC012	25A-CQS-F012	25-CQS-D012
16	25A-CQS-L016	25A-CQS-LC016	25A-CQS-F016	25-CQS-D016
20	25A-CQS-L020	25A-CQS-LC020	25A-CQS-F020	25-CQS-D020
25	25A-CQS-L025	25A-CQS-LC025	25A-CQS-F025	25-CQS-D025

*1 When ordering foot and compact foot brackets, order 2 pieces per cylinder.

* Parts included with each type of bracket are as follows.

Foot, Compact foot, Flange: Body mounting bolts

Double clevis type: Clevis pin, Type C retaining ring for axis, Body mounting bolt

Compact Cylinder: Standard Type Double Acting, Double Rod

RoHS

25A-CQSW Series

∅12, ∅16, ∅20, ∅25



How to Order

25A-C D QSW B 20-30 D - M9BWL

Series compatible with secondary batteries

With auto switch

Nil	Without magnet for switch*1
D	With auto switch (Built-in magnet)

*1 In the case of without magnet for switch, auto switch cannot be mounted.

Mounting

B	Through-hole/Both ends tapped common (Standard)
L	Foot
LC	Compact foot
F	Flange

- * Mounting brackets are shipped together with the product but do not come assembled.
- * Cylinder mounting bolts are not included.

Bore size

12	12 mm
16	16 mm
20	20 mm
25	25 mm

Number of auto switches

Nil	2
S	1
n	n

Auto switch

Nil	Without auto switch
-----	---------------------

* For applicable auto switches, refer to page 256.

Cushion/Rod end thread

Nil	Standard
C	With rubber bumper
M	Rod end male thread

* Combination of body options is available.

Action

D	Double acting
---	---------------

Cylinder stroke [mm]

Bore size	Standard stroke
12, 16	5, 10, 15, 20, 25, 30
20	5, 10, 15, 20, 25, 30, 35, 40, 45, 50
25	30, 35, 40, 45, 50

Mounting Bracket Part Nos. for the 25A- Series

Bore size [mm]	Foot*1	Compact foot*1	Flange
12	25A-CQS-L012	25A-CQS-LC012	25A-CQS-F012
16	25A-CQS-L016	25A-CQS-LC016	25A-CQS-F016
20	25A-CQS-L020	25A-CQS-LC020	25A-CQS-F020
25	25A-CQS-L025	25A-CQS-LC025	25A-CQS-F025

*1 When ordering foot and compact foot brackets, order 2 pieces per cylinder.

* Body mounting bolts are included for each bracket.

Built-in Magnet Cylinder Model

If a built-in magnet cylinder without an auto switch is required, there is no need to enter the symbol for the auto switch.

(Example) 25A-CDQSWL25-30D

* The 25A- series specifications and dimensions are the same as those of the standard model.

For details, refer to the **Web Catalog**.

Compact Cylinder: Anti-lateral Load Type

25A-CQS□S Series

∅12, ∅16, ∅20, ∅25



How to Order

25A-C D QS B S 20 - 30 D C - M9BW □

Series compatible with secondary batteries

With auto switch

Nil	Without magnet for switch*1
D	With auto switch (Built-in magnet)

*1 In the case of without magnet for switch, auto switch cannot be mounted.

Mounting

B	Through-hole/Both ends tapped common (Standard)
L	Foot
LC	Compact foot
F	Rod flange
G	Head flange
D	Double clevis

* Mounting brackets are shipped together with the product but do not come assembled.
* Cylinder mounting bolts are not included.

Cushion

S	Anti-lateral load type
---	------------------------

Bore size

12	12 mm
16	16 mm
20	20 mm
25	25 mm

Cylinder stroke [mm]

Bore size	Standard stroke
12, 16	5, 10, 15, 20, 25, 30
20, 25	5, 10, 15, 20, 25, 30, 35, 40, 45, 50

Number of auto switches

Nil	2
S	1
n	n

Auto switch

Nil	Without auto switch
-----	---------------------

* Refer to page 256 for applicable auto switch models.

Body option

C	With rubber bumper Rod end female thread (Standard)
CM	With rubber bumper Rod end male thread

Action

D	Double acting
---	---------------

Built-in Magnet Cylinder Model

If a built-in magnet cylinder without an auto switch is required, there is no need to enter the symbol for the auto switch.

(Example) 25A-CDQSL12-25DC

* With cushion only.

* The 25A- series specifications and dimensions are the same as those of the standard model.

For details, refer to the Web Catalog.

Mounting Bracket Part Nos. for the 25A- Series

Bore size [mm]	Foot*1	Compact foot*1	Flange	Double clevis
12	25A-CQS-L012	25A-CQS-LC012	25A-CQS-F012	25-CQS-D012
16	25A-CQS-L016	25A-CQS-LC016	25A-CQS-F016	25-CQS-D016
20	25A-CQS-L020	25A-CQS-LC020	25A-CQS-F020	25-CQS-D020
25	25A-CQS-L025	25A-CQS-LC025	25A-CQS-F025	25-CQS-D025

*1 When ordering foot and compact foot brackets, order 2 pieces per cylinder.

* Parts included with each type of bracket are as follows.

Foot, Compact foot, Flange: Body mounting bolts

Double clevis type: Clevis pin, Type C retaining ring for axis, Body mounting bolt

Directional Control Valves

Air Cylinders

Related Products

Rotary Actuators

Air Grippers

Vacuum Equipment

Air Preparation Equipment

Clean Air Filters

Modular F.R.L./Pressure Control Equipment

Flow Control Equipment/Fittings

Detection Switches

Fluid Control Equipment

Process Gas Equipment

Electric Actuators

Auto Switches

Compact Cylinder: Standard Double Acting, Single Rod



25A-CQ2 Series

ø12, ø16, ø20, ø25, ø32, ø40, ø50, ø63, ø80, ø100



How to Order

25A - C D Q2 B 20 - 30 D Z - M9BW

• Series compatible with secondary batteries

With auto switch

Nil	Without magnet for switch*1
D	With auto switch (Built-in magnet)

*1 In the case of without magnet for switch, auto switch cannot be mounted.

Mounting

B	Through-hole (Standard)
A	Both ends tapped
L	Foot
LC	Compact foot
F	Rod flange
G	Head flange
D	Double clevis

* Mounting brackets are shipped together with the product but do not come assembled.

* Cylinder mounting bolts are not included.

Bore size

12	12 mm	40	40 mm
16	16 mm	50	50 mm
20	20 mm	63	63 mm
25	25 mm	80	80 mm
32	32 mm	100	100 mm

Port thread type

Nil	M thread	ø12 to ø25
	Rc	
TN	NPT	ø32 to ø100
TF	G	

• Auto switch

Nil	Without auto switch
-----	---------------------

* Refer to page 256 for applicable auto switch models.

• Number of auto switches

Nil	2
S	1
n	n

• Auto switch mounting groove

Z	ø12 to ø25	2 surfaces
	ø32 to ø100	4 surfaces

* "Z" is not available for ø12 to ø25 without auto switches.

• Body option

Nil	Standard (Rod end female thread)
C	With rubber bumper
M	Rod end male thread

* Combination of body options is available.

• Action

D	Double acting
---	---------------

• Cylinder stroke [mm]

12, 16	5, 10, 15, 20, 25, 30
20, 25	5, 10, 15, 20, 25, 30, 35, 40, 45, 50
32, 40	5, 10, 15, 20, 25, 30, 35, 40, 45, 50, 75, 100
50 to 100	10, 15, 20, 25, 30, 35, 40, 45, 50, 75, 100

* The 25A- series specifications and dimensions are the same as those of the standard model.

For details, refer to the Web Catalog.

Built-in Magnet Cylinder Model

If a built-in magnet cylinder without an auto switch is required, there is no need to enter the symbol for the auto switch.

(Example) 25A-CDQ2L32-25DZ

Mounting Bracket Part Nos. for the 25A- Series

Bore size [mm]		Foot*1	Compact foot*1	Flange	Double clevis
12	Without auto switch	25A-CQ-L012	25A-CQ-LC012	25A-CQ-F012	25-CQ-D012
	With auto switch	25A-CQ-LZ12	25A-CQ-LCZ12		
16	Without auto switch	25A-CQ-L016	25A-CQ-LC016	25A-CQ-F016	25-CQ-D016
	With auto switch	25A-CQ-LZ16	25A-CQ-LCZ16		
20	Without auto switch	25A-CQ-L020	25A-CQ-LC020	25A-CQ-F020	25-CQ-D020
	With auto switch	25A-CQ-LZ20	25A-CQ-LCZ20		
25	Without auto switch	25A-CQ-L025	25A-CQ-LC025	25A-CQ-F025	25-CQ-D025
	With auto switch	25A-CQ-LZ25	25A-CQ-LCZ25		
32		25A-CQ-L032	25A-CQ-LC032	25A-CQ-F032	25-CQ-D032
40		25A-CQ-L040	25A-CQ-LC040	25A-CQ-F040	25-CQ-D040
50		25A-CQ-L050	25A-CQ-LC050	25A-CQ-F050	25-CQ-D050
63		25A-CQ-L063	25A-CQ-LC063	25A-CQ-F063	25-CQ-D063
80		25A-CQ-L080	25A-CQ-LC080	25A-CQ-F080	25-CQ-D080
100		25A-CQ-L100	25A-CQ-LC100	25A-CQ-F100	25-CQ-D100

*1 When ordering foot and compact foot brackets, the required quantity will be different depending on the bore size.

ø12 to ø25:

- Without auto switch: Order 2 pieces per cylinder.
- With auto switch: Order 1 piece per cylinder. (Part number for a set of 2 foot brackets)

ø32 to ø100:

- Order 2 pieces per cylinder.

* Parts included with each type of bracket are as follows.

Foot, Compact foot, Flange: Body mounting bolts, Double clevis: Clevis pin, Type C retaining rings for axis, Body mounting bolts

Simple Joint (Standard)/ Part Nos.

Bore size [mm]	Joint	Type A mounting bracket	Type B mounting bracket
32, 40	YU-03	YA-03	YB-03
50, 63	YU-05	YA-05	YB-05
80	YU-08	YA-08	YB-08
100	YU-10	YA-10	YB-10

<Ordering>

- Joints are not included with type A or B mounting brackets. Order them separately.

(Example)

- Bore size ø40
- Type A mounting bracketYA-03
- Joint.....YU-03

Part no.

Compact Cylinder: Standard Double Acting, Double Rod

RoHS

25A-CQ2W Series

ø12, ø16, ø20, ø25, ø32, ø40, ø50, ø63, ø80, ø100



How to Order

25A - C D Q2W B 20 - 30 D Z - M9BW

Series compatible with secondary batteries

With auto switch

Nil	Without magnet for switch*1
D	With auto switch (Built-in magnet)

*1 In the case of without magnet for switch, auto switch cannot be mounted.

Mounting

* Mounting brackets are shipped together with the product but do not come assembled.
* Cylinder mounting bolts are not included.

B	Through-hole (Standard)
A	Both ends tapped
L	Foot
LC	Compact foot
F	Flange

Bore size

12	12 mm	40	40 mm
16	16 mm	50	50 mm
20	20 mm	63	63 mm
25	25 mm	80	80 mm
32	32 mm	100	100 mm

Mounting Bracket Part Nos. for the 25A- Series

Bore size [mm]	Foot*1	Compact foot*1	Flange	
12	Without auto switch	25A-CQ-L012	25A-CQ-LC012	25A-CQ-F012
	With auto switch	25A-CQ-LZ12	25A-CQ-LCZ12	
16	Without auto switch	25A-CQ-L016	25A-CQ-LC016	25A-CQ-F016
	With auto switch	25A-CQ-LZ16	25A-CQ-LCZ16	
20	Without auto switch	25A-CQ-L020	25A-CQ-LC020	25A-CQ-F020
	With auto switch	25A-CQ-LZ20	25A-CQ-LCZ20	
25	Without auto switch	25A-CQ-L025	25A-CQ-LC025	25A-CQ-F025
	With auto switch	25A-CQ-LZ25	25A-CQ-LCZ25	
32	25A-CQ-L032	25A-CQ-LC032	25A-CQ-F032	
40	25A-CQ-L040	25A-CQ-LC040	25A-CQ-F040	
50	25A-CQ-L050	25A-CQ-LC050	25A-CQ-F050	
63	25A-CQ-L063	25A-CQ-LC063	25A-CQ-F063	
80	25A-CQ-L080	25A-CQ-LC080	25A-CQ-F080	
100	25A-CQ-L100	25A-CQ-LC100	25A-CQ-F100	

*1 When ordering foot and compact foot brackets, the required quantity will be different depending on the bore size.

ø12 to ø25:

· Without auto switch: Order 2 pieces per cylinder.

· With auto switch: Order 1 piece per cylinder. (Part number for a set of 2 foot brackets)

ø32 to ø100:

· Order 2 pieces per cylinder.

* Body mounting bolts are included for each bracket.

Number of auto switches

Nil	2
S	1
n	n

Auto switch

Nil	Without auto switch
-----	---------------------

* For applicable auto switches, refer to page 256.

Auto switch mounting groove

Z	ø12 to ø25	2 surfaces
	ø32 to ø100	4 surfaces

* "Z" is not available for ø12 to ø25 without auto switches.

Body option

Nil	Standard (Rod end female thread)
C	With rubber bumper
M	Rod end male thread

* Combination of body options is available.

Action

D	Double acting
---	---------------

Cylinder stroke [mm]

12, 16	5, 10, 15, 20, 25, 30
20, 25	5, 10, 15, 20, 25, 30, 35, 40, 45, 50
32, 40	5, 10, 15, 20, 25, 30, 35, 40, 45, 50, 75, 100
50 to 100	10, 15, 20, 25, 30, 35, 40, 45, 50, 75, 100

Port thread type

Nil	M thread	ø12 to ø25
	Rc	
TN	NPT	ø32 to ø100
TF	G	

Built-in Magnet Cylinder Model

If a built-in magnet cylinder without an auto switch is required, there is no need to enter the symbol for the auto switch.

(Example) 25A-CDQ2WL32-25DZ

* The 25A- series specifications and dimensions are the same as those of the standard model.

For details, refer to the Web Catalog.

Simple Joint (Standard)/Part Nos.

Bore size [mm]	Joint	Type A mounting bracket	Type B mounting bracket
32, 40	YU-03	YA-03	YB-03
50, 63	YU-05	YA-05	YB-05
80	YU-08	YA-08	YB-08
100	YU-10	YA-10	YB-10

<Ordering>

Joints are not included with type A or B mounting brackets. Order them separately.

(Example)

Bore size ø40 Part no.

Type A mounting bracket YA-03

Joint YU-03

Compact Cylinder: Large Bore Size Double Acting, Single Rod

25A-CQ2 Series

∅125, ∅140, ∅160, ∅180, ∅200

RoHS



How to Order

25A - C D Q2B 125 - 30 DC Z - M9BW

- Series compatible with secondary batteries**
- With auto switch**

Nil	Without magnet for switch*1
D	With auto switch (Built-in magnet)

*1 In the case of without magnet for switch, auto switch cannot be mounted.
- Mounting**

B	Through-hole/ Both ends tapped common (Standard)
---	---

* Cylinder mounting bolts are not included.
- Bore size**

125	125 mm
140	140 mm
160	160 mm
180	180 mm
200	200 mm
- Port thread type**

Nil	Rc
TN	NPT
TF	G
- Number of auto switches**

Nil	2
S	1
n	n
- Auto switch**

Nil	Without auto switch
-----	---------------------

* Refer to page 256 for applicable auto switch models.
- Auto switch mounting groove**

Z	4 surfaces
---	------------
- Body option**

Nil	Standard (Rod end female thread)
M	Rod end male thread
- Cushion**

C	Rubber bumper
---	---------------
- Action**

D	Double acting
---	---------------
- Cylinder stroke [mm]**

Bore size	Standard stroke
125, 140, 160	10, 20, 30, 40, 50, 75, 100, 125,
180, 200	150, 175, 200, 250, 300

Built-in Magnet Cylinder Model

If a built-in magnet cylinder without an auto switch is required, there is no need to enter the symbol for the auto switch.

(Example) 25A-CDQ2B140-30DCZ

* The 25A- series specifications and dimensions are the same as those of the standard model.

For details, refer to the **Web Catalog**.

Compact Cylinder: Long Stroke Double Acting, Single Rod

RoHS

25A-CQ2 Series

∅32, ∅40, ∅50, ∅63, ∅80, ∅100



How to Order

25A - C D Q2 A 32 - 200 DC Z - M9BW

Series compatible with secondary batteries

With auto switch

Nil	Without magnet for switch*1
D	With auto switch (Built-in magnet)

*1 In the case of without magnet for switch, auto switch cannot be mounted.

Mounting

A	Both ends tapped
L	Foot
LC	Compact foot
F	Rod flange
G	Head flange
D	Double clevis

* Mounting brackets are shipped together with the product but do not come assembled.

Bore size

32	32 mm
40	40 mm
50	50 mm
63	63 mm
80	80 mm
100	100 mm

Port thread type

Nil	Rc
TN	NPT
TF	G

Built-in Magnet Cylinder Model

If a built-in magnet cylinder without an auto switch is required, there is no need to enter the symbol for the auto switch.

(Example) 25A-CDQ2L40-200DCZ

Simple Joint (Standard)/Part Nos.

Bore size [mm]	Joint	Type A mounting bracket	Type B mounting bracket
32, 40	YU-03	YA-03	YB-03
50, 63	YU-05	YA-05	YB-05
80	YU-08	YA-08	YB-08
100	YU-10	YA-10	YB-10

<Ordering>

• Joints are not included with type A or B mounting brackets. Order them separately.

(Example)

Bore size ∅40 Part no.

• Type A mounting bracket.....YA-03

• Joint.....YU-03

Mounting Bracket Part Nos. for the 25A- Series

Bore size [mm]	Foot*1	Compact foot*1	Flange	Double clevis
32	25A-CQ-L032	25A-CQ-LC032	25A-CQ-F032	25-CQ-D032
40	25A-CQ-L040	25A-CQ-LC040	25A-CQ-F040	25-CQ-D040
50	25A-CQ-L050	25A-CQ-LC050	25A-CQ-F050	25-CQ-D050
63	25A-CQ-L063	25A-CQ-LC063	25A-CQ-F063	25-CQ-D063
80	25A-CQ-L080	25A-CQ-LC080	25A-CQ-F080	25-CQ-D080
100	25A-CQ-L100	25A-CQ-LC100	25A-CQ-F100	25-CQ-D100

*1 Order 2 pieces per cylinder.

* Parts included with each type of bracket are as follows.

Foot, Compact foot, Flange: Body mounting bolts, Double clevis: Clevis pin, Type C retaining rings for axis, Body mounting bolts

Number of auto switches

Nil	2
S	1
n	n

Auto switch

Nil	Without auto switch
-----	---------------------

* Refer to page 256 for applicable auto switch models.

Auto switch mounting groove

Z	4 surfaces
---	------------

Body option

Nil	Standard (Rod end female thread)
M	Rod end male thread

Cushion

C	Rubber bumper
---	---------------

Action

D	Double acting
---	---------------

Cylinder stroke [mm]

Bore size	Standard stroke
32, 40, 50 63, 80, 100	125, 150, 175, 200, 250, 300

* The 25A- series specifications and dimensions are the same as those of the standard model.

For details, refer to the Web Catalog.

Directional Control Valves

Air Cylinders

Related Products

Rotary Actuators

Air Grippers

Vacuum Equipment

Air Preparation Equipment

Clean Air Filters

Modular F.R.L./Pressure Control Equipment

Flow Control Equipment/Fittings

Detection Switches

Fluid Control Equipment

Process Gas Equipment

Electric Actuators

Auto Switches

Compact Cylinder: Anti-lateral Load

25A-CQ2□S Series

∅32, ∅40, ∅50, ∅63, ∅80, ∅100

RoHS



How to Order

25A - C D Q2 B S 32 □ - 30 DC □ Z - M9BW □

Series compatible with secondary batteries

With auto switch

Nil	Without magnet for switch*1
D	With auto switch (Built-in magnet)

*1 In the case of without magnet for switch, auto switch cannot be mounted.

Mounting

B	Through-hole (Standard)
A	Both ends tapped
L	Foot
LC	Compact foot
F	Rod flange
G	Head flange
D	Double clevis

* Mounting brackets are shipped together with the product but do not come assembled.
* Cylinder mounting bolts are not included.

Type

S	Anti-lateral load
---	-------------------

Bore size

32	32 mm
40	40 mm
50	50 mm
63	63 mm
80	80 mm
100	100 mm

Port thread type

Nil	Rc
TN	NPT
TF	G

Number of auto switches

Nil	2
S	1
n	n

Auto switch

Nil	Without auto switch
-----	---------------------

* Refer to page 256 for applicable auto switch models.

Auto switch mounting groove

Z	4 surfaces
---	------------

Body option

Nil	Standard (Rod end female thread)
M	Rod end male thread

Cushion

C	Rubber bumper
---	---------------

Action

D	Double acting
---	---------------

Cylinder stroke [mm]

Bore size	Standard stroke
32, 40	5, 10, 15, 20, 25, 30, 35, 40, 45, 50, 75, 100
50, 63, 80, 100	10, 15, 20, 25, 30, 35, 40, 45, 50, 75, 100

Built-in Magnet Cylinder Model

If a built-in magnet cylinder without an auto switch is required, there is no need to enter the symbol for the auto switch.

(Example) 25A-CDQ2LS40-30DCZ

* The 25A- series specifications and dimensions are the same as those of the standard model.

For details, refer to the Web Catalog.

Mounting Bracket Part Nos. for the 25A- Series

Bore size [mm]	Foot*1	Compact foot*1	Flange	Double clevis
32	25A-CQ-L032	25A-CQ-LC032	25A-CQ-F032	25-CQ-D032
40	25A-CQ-L040	25A-CQ-LC040	25A-CQ-F040	25-CQ-D040
50	25A-CQ-L050	25A-CQ-LC050	25A-CQ-F050	25-CQ-D050
63	25A-CQ-L063	25A-CQ-LC063	25A-CQ-F063	25-CQ-D063
80	25A-CQ-L080	25A-CQ-LC080	25A-CQ-F080	25-CQ-D080
100	25A-CQ-L100	25A-CQ-LC100	25A-CQ-F100	25-CQ-D100

*1 Order 2 pieces per cylinder.

* Parts included with each type of bracket are as follows.

Foot, Compact foot, Flange: Body mounting bolts, Double clevis: Clevis pin, Type C retaining rings for axis, Body mounting bolts

Compact Cylinder: With End Lock

25A-CBQ2 Series

∅20, ∅25, ∅32, ∅40, ∅50, ∅63, ∅80, ∅100



How to Order



25A - C D BQ2 B 40 - 30 D C - H N - M9BW

Series compatible with secondary batteries

With auto switch (Built-in magnet)

Mounting

∅20, ∅25

∅32 to ∅100

B	Through-hole/Both ends tapped common (Standard)	B	Through-hole (Standard)*1
L	Foot	A	Both ends tapped
LC	Compact foot	L	Foot
F	Rod flange	LC	Compact foot
G	Head flange	F	Rod flange
D	Double clevis	G	Head flange
		D	Double clevis

*1 At the 75 and 100 mm strokes with ∅80, ∅100, both ends tapped (A) is the standard. Through-hole (B) is not available.

* Mounting brackets are shipped together with the product but do not come assembled.

Bore size

20	20 mm	50	50 mm
25	25 mm	63	63 mm
32	32 mm	80	80 mm
40	40 mm	100	100 mm

Port thread type

Nil	M thread	∅20, ∅25
TN	NPT	∅32 to ∅100
TF	G	

Cylinder stroke [mm]

Bore size	Standard stroke
20, 25, 32, 40, 50, 63	10, 15, 20, 25, 50, 75, 100
80, 100	25, 50, 75, 100

Manual release type
N Non-lock type

Lock position
H Head end lock
R Rod end lock

Body option
Nil Rod end female thread
M Rod end male thread

Cushion
C Rubber bumper

Action
D Double acting

Auto switch
Nil Without auto switch

* For applicable auto switches, refer to page 256.

Number of auto switches

Nil	2
S	1
n	n

Built-in Magnet Cylinder Model

If a built-in magnet cylinder without an auto switch is required, there is no need to enter the symbol for the auto switch.
(Example) 25A-CDBQ2L32-30DC-RN

* The 25A-series specifications and dimensions are the same as those of the standard model.

For details, refer to the Web Catalog.

Mounting Bracket Part Nos. for the 25A-Series

Bore size [mm]	Foot*1	Compact foot*1	Flange	Double clevis
20	25A-CQS-L020	25A-CQS-LC020	25A-CQS-F020	25-CQS-D020
25	25A-CQS-L025	25A-CQS-LC025	25A-CQS-F025	25-CQS-D025
32	25A-CQ-L032	25A-CQ-LC032	25A-CQ-F032	25-CQ-D032
40	25A-CQ-L040	25A-CQ-LC040	25A-CQ-F040	25-CQ-D040
50	25A-CQ-L050	25A-CQ-LC050	25A-CQ-F050	25-CQ-D050
63	25A-CQ-L063	25A-CQ-LC063	25A-CQ-F063	25-CQ-D063
80	25A-CQ-L080	25A-CQ-LC080	25A-CQ-F080	25-CQ-D080
100	25A-CQ-L100	25A-CQ-LC100	25A-CQ-F100	25-CQ-D100

*1 Order 2 pieces per cylinder.

* Parts included with each type of bracket are as follows: Foot, Compact foot, Flange: Body mounting bolts, Double clevis: Clevis pin, Type C retaining rings for axis, Body mounting bolts

Directional Control Valves

Air Cylinders

Related Products

Rotary Actuators

Air Grippers

Vacuum Equipment

Air Preparation Equipment

Clean Air Filters

Modular F.R.L./Pressure Control Equipment

Flow Control Equipment/Fittings

Detection Switches

Fluid Control Equipment

Process Gas Equipment

Electric Actuators

Auto Switches