

Diaphragm Valve for Ultra High Purity Air Operated Type

RoHS

AZ3542 & 4542 □ 25A Series

- Suitable for UHP gas supply line
- Body material: 316L SS
- Pneumatically actuated normally closed



How to Order

AZ **3** **542 S** **2P** **MV4** **MV4** **25A**

(Inlet) (Outlet)

Size

Code	Cv
3	0.29
4	0.5

Model

Code	Status	Maximum operating pressure
542	Normally closed (N.C.)	125 psig (0.9 MPa)

Material

Code	Body material
S	316L SS

Ports

Code	Ports	Connection
2P	2 ports	Machined
2PW		Welded

• Series compatible with secondary batteries

Connections

Code	Connections	Size Port	AZ3		AZ4	
			2P	2PW	2P	2PW
MV4	1/4 inch face seal (Male) *1)		●	●	●	●
FV4	1/4 inch face seal (Female)			●		●
TW4	1/4 inch tube weld		●	●		
MV6	3/8 inch face seal (Male) *1)				●	●
FV6	3/8 inch face seal (Female)					●
TW6	3/8 inch tube weld				●	●
TW8	1/2 inch tube weld				●	

●: Only available with the same type fittings inlet and outlet.

* 1) Fixed fitting (no rotating nut)

Specifications

Operating Parameters	AZ3542 □ 25A	AZ4542 □ 25A
Weight	0.26 kg *1)	

*1) Weight for AZ3542S2PMV4MV4 including individual boxed weight. It may vary depending on connections or options.

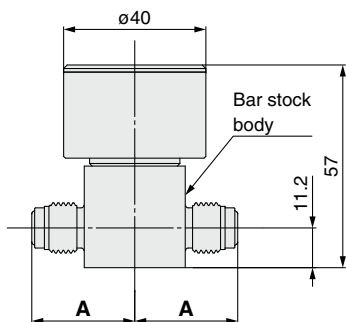
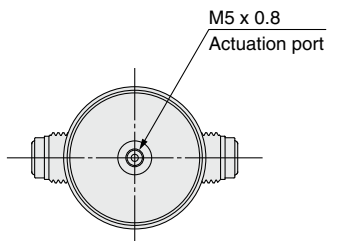
* Some parts have sizes and shapes that are different from the standard products.

For details, refer to the **Web Catalog**.

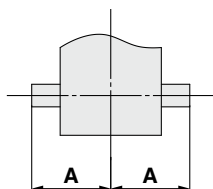
Dimensions

AZ3542 & 4542

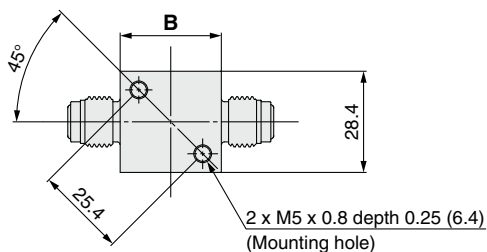
Ports: 2P (Machined)



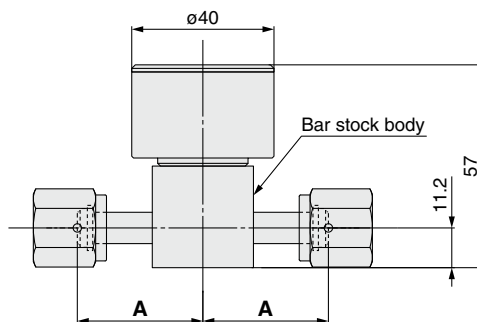
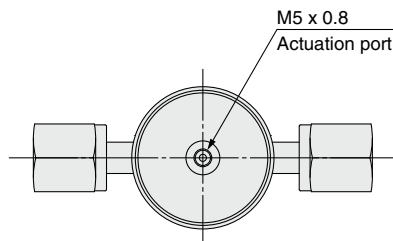
Connections: MV □



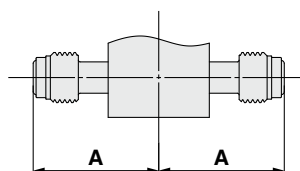
Connections: TW □



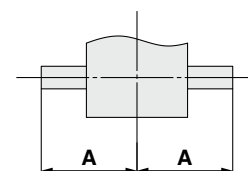
Ports: 2PW (Welded)



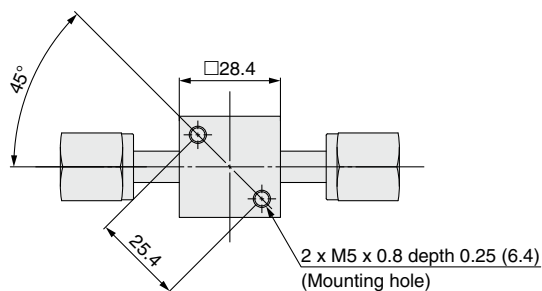
Connections: FV □



Connections: MV □



Connections: TW □



Ports	Connections	A	B
2P (Machined)	MV4	1.14 (29.0)	1.12 sq. (28.4)
	TW4	0.875 (22.2)	
	MV6	1.5 (38.1)	1.48 sq. (37.6)
	TW6	0.875 (22.2)	1.12 sq. (28.4)
	TW8	1.125 (28.6)	

Ports	Connections	A
2PW (Welded)	MV4	1.39 (35.3)
	FV4	
	TW4	1.06 (26.9)
	MV6	1.93 (49.0)
	FV6	
	TW6	1.325 (33.7)

Directional Control Valves
Air Cylinders
Related Products
Rotary Actuators
Air Grippers
Vacuum Equipment
Air Preparation Equipment
Clean Air Filters
Modular F.R.L./Pressure Control Equipment
Flow Control Equipment/Fittings
Detection Switches
Fluid Control Equipment
Process Gas Equipment
Electric Actuators
Auto Switches

Diaphragm Valves for General Applications

Air Operated Type

RoHS

AK3542 & 4542 □ 25A Series

- Body material: 316 SS
- Normally closed



How to Order

AK **3** 542 S 2P **4T** **4T** 25A

(Inlet) (Outlet)

Size

Code	Cv
3	0.29
4	0.5

Model

Code	Status	Maximum operating pressure
542	Normally closed (N.C.)	125 psig (0.9 MPa)

Material

Code	Body material
S	316 SS

Ports

Code	Ports
2P	2 ports

- Series compatible with secondary batteries

Connections

Code	Connections	AK3	AK4
4T	1/4 inch compression	●	—
4BR	Rc 1/4		
4BRN	R 1/4		
4	NPT 1/4 female		
4N	NPT 1/4 male	—	●
6T	3/8 inch compression		
6BR	Rc 3/8		
6BRN	R 3/8		
6	NPT 3/8 female		
6N	NPT 3/8 male		

Note) Only available with same type fittings inlet and outlet.

* Specifications and dimensions are the same as those of the standard model.

For details, refer to the **Web Catalog**.