

Heat Resistant Elbow Style Speed Controller

AS3200-03-X506

AS4200-04-X506

SMC CORPORATION
4-14-1 SOTO-KANDA,
CHIYODA-KU,
TOKYO101-0021, JAPAN
URL : <http://www.smcworld.com>

Feature : Heat resistant (MAX.80)

- Seal part (U-packing, O ring) quality of the material : Fluoro rubber
- Grease : Fluorine system grease



AS3200-03-X506



AS4200-04-X506

Comparison with standard products

Material of seal part (U-packing, O ring) is changed from NBR to fluoro rubber (FKM).
Grease is changed into fluorine system grease.

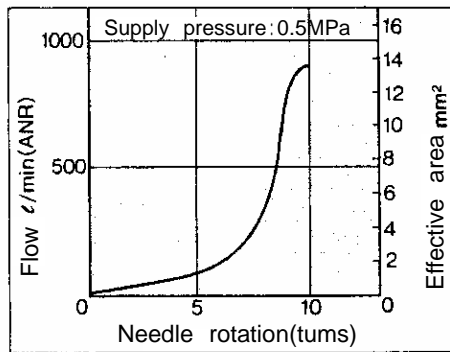
Specifications

Model	AS3200-03-X506	AS4200-04-X506
Port size	3/8	1/2
Fluid	Air	
Proof pressure	1.05MPa (^{*1} 1.5MPa)	
Maximum operating pressure	0.7MPa (^{*1} 1.0MPa)	
Minimum operating pressure	0.1MPa	
Ambient and fluid temperature	- 5 to 80°C (No freezing)	
Controlled	Meter-out	
Number of needle rotations	10turns	
Controlled flow (Free flow)	Flow(L/min(ANR))	920
	Effective area (mm ²)	14
		1700
		26

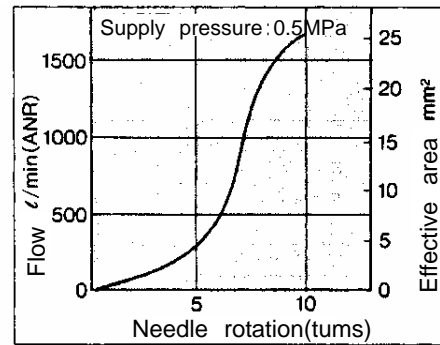
* 1) When the temperature of the ambient and fluid is 60 or less.

Needle Valve / Flow Characteristics

AS3200-03-X506

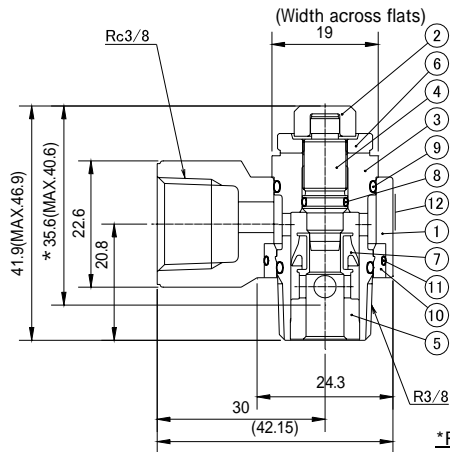


AS4200-04-X506



Construction and Dimensions: mm

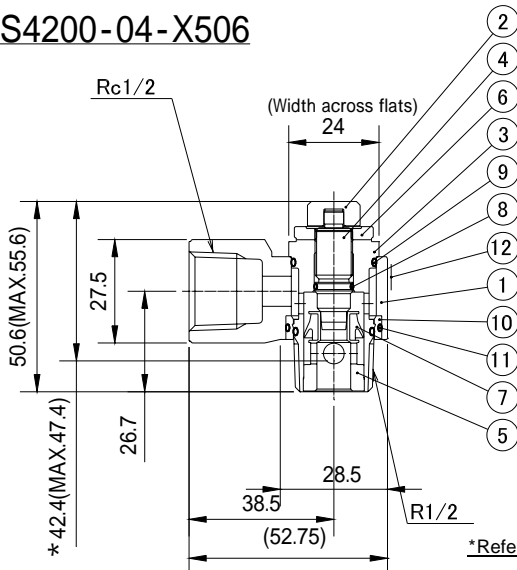
AS3200-03-X506



*Reference thread dimensions after being screwed in.

NO.	Description	Material
	BodyA	Zinc al
	Hand	Brass
	BodyB	Brass
	Need	Brass
	Seat ring	Brass
	Lock nut	Brass
	U-packing	FKM
	O ring	FKM
	O ring	FKM
	Bush	PBT
	O ring	FKM
	Lab	PET

AS4200-04-X506



*Reference thread dimensions after being screwed in.

NO.	Description	Material
	BodyA	Zinc al
	Hand	Brass
	BodyB	Brass
	Need	Brass
	Seat ring	Brass
	Lock nut	Brass
	U-packing	FKM
	O ring	FKM
	O ring	FKM
	Bush	PBT
	O ring	FKM
	Lab	PET



Caution: To ensure the safest possible operation of this product, please be sure to read thoroughly the "Safety Instructions" in our "Best Pneumatics" general catalog before use.