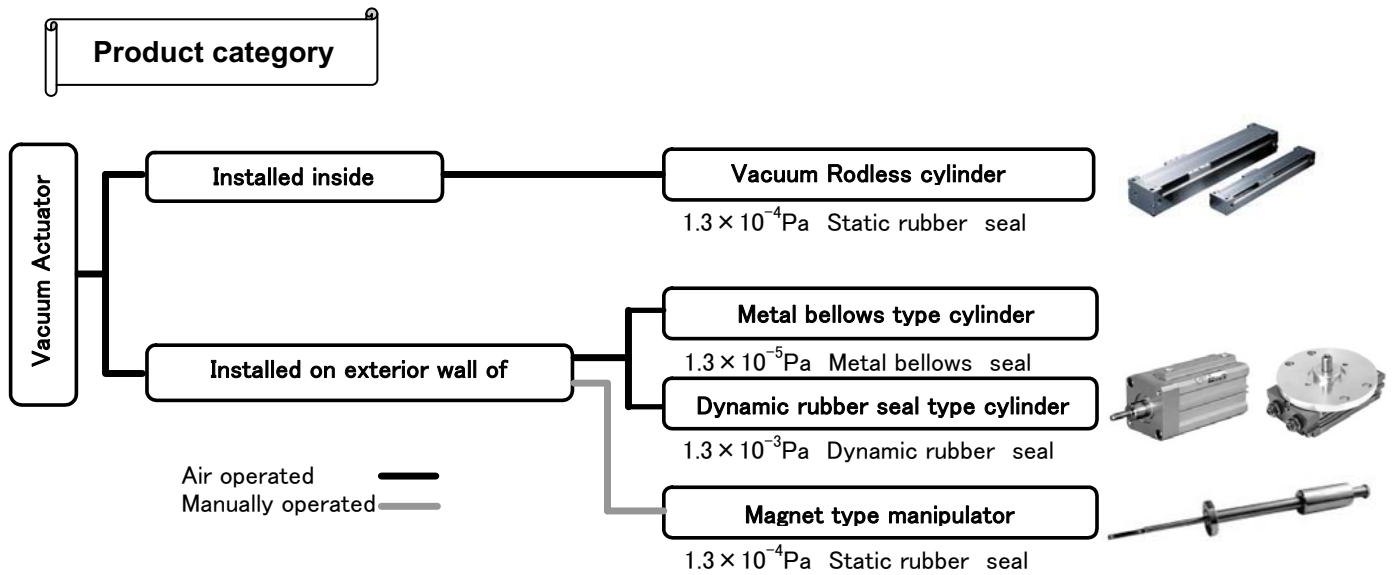
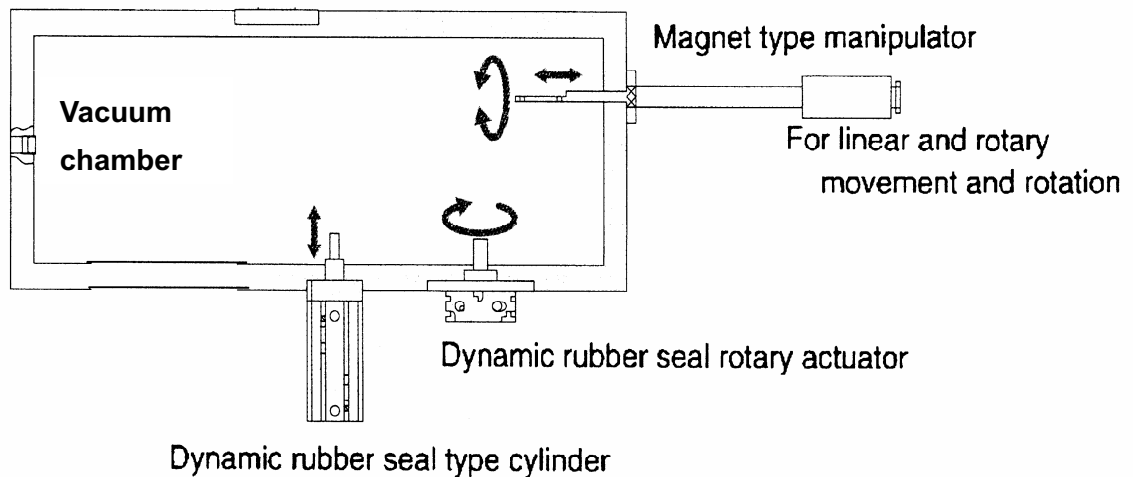


# Actuators for vacuum applications

- Features: \* Transport equipment in a vacuum chamber  
\* Actuator with dynamic rubber seals, to be installed on the external wall of the chamber



**Image**



# Specifications

## 1. Dynamic rubber seal type cylinder

Model no.	CDQ2BS40-50Z-DCN9876N
Bore size	φ 40
Stroke	50 mm
Max. operating pressure	1.0 MPa
Leakage	$1.0 \times 10^{-7}$ Pam <sup>3</sup> /s
Ambient / operating air temperature	-10~60°C
Cushion	Rubber bumper
Auto switch	Reed auto switches [D-A93 (2 pieces)]

## 2. Dynamic rubber seal type rotary actuator

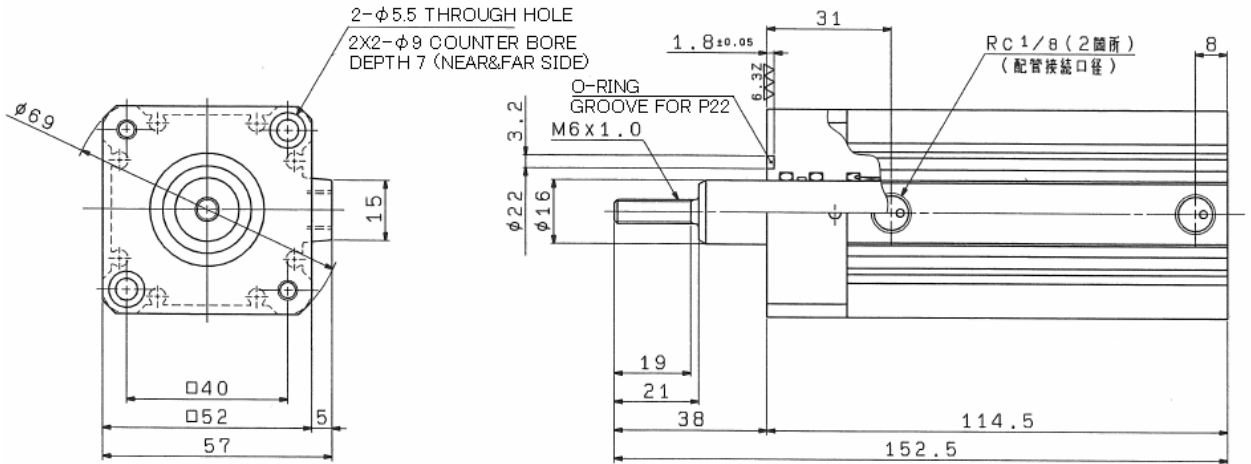
Model no.	CDRQ2BS20-90-DIH00514
Action	Rack-and-pinion
Size	Size 20
Rotation	90°
Rotation adjustment range	+/- 5° at each end of rotation
Max. operating pressure	1.0 MPa
Leakage	$1.0 \times 10^{-7}$ Pam <sup>3</sup> /s
Ambient / operating air temperature	0~60°C
Cushion	No cushion
Auto switch	Solid-state auto switches [D-F9NWV (2 pieces)]

## 3. Magnet type manipulator

Model no.	CYV15-DCG5363G-stroke
Bore size	φ 15
Stroke	Max 300 mm
Operating method	Manual
Leakage	$1.3 \times 10^{-9}$ Pam <sup>3</sup> /s
Ambient / operating air temperature	-10~60°C
Rotating torque	0.18 N·m
Magnetic holding force	40 N

# Construction and Dimensions: mm

## 1. Dynamic rubber seal type cylinder



## 2. Dynamic rubber seal type rotary actuator

