

! Contact our sales office for delivery dates and prices as this is a special model.

Specialized Product **P.G.** Point to Group information

# EX600 Series IO-Link Master

## Features

- Modular connection with input/output units or valves is possible.
- CC-Link IE Field compatible
- IP67 compliant

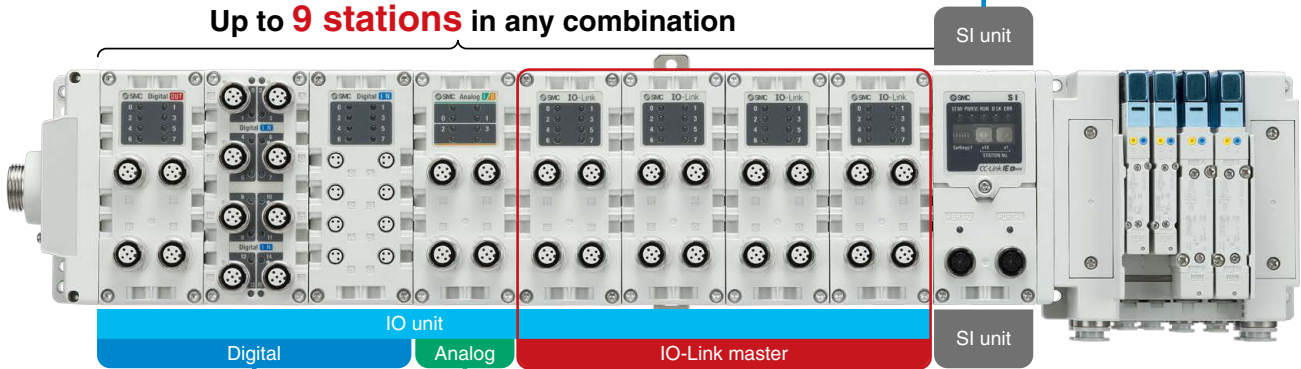


PLC

Fieldbus **CC-Link IE Field**

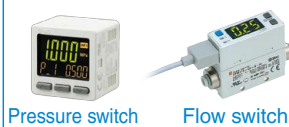


Up to **9 stations** in any combination



## Digital

### Input device



Pressure switch Flow switch



Auto switch

### Output device



Solenoid valve

## Analog

### Input device



Pressure sensor Flow sensor

### Input/Output device



Electro-pneumatic regulator

## IO-Link devices



3-screen display  
High-precision digital pressure switch  
ZSE20B(F)-L/ISE20B-L



3-screen display  
High-precision digital pressure switch  
ISE7/7□G



Digital flow switch for water  
PF3W7□-X445



Actuator position sensor  
D-MP



Electro-pneumatic regulator  
ITV-X395



Step motor controller  
JXCL1



**Caution**

To ensure the safest possible operation of this product, please be sure to thoroughly read the "Safety Instructions" in our "Best Pneumatics" catalog before use.

SMC Corporation 4-14-1, SOTO-KANDA, CHIYODA-KU, TOKYO 101-0021, JAPAN URL: <http://www.smcworld.com>

©2018 SMC Corporation All Rights Reserved



SP175X-032E  
P: WS