

! Contact our sales office for delivery dates and prices as this is a special model.

Specialized Product

Point to Group
P.G. information

Filter Regulator

Improved durability in outdoor environments

AW30/40/60-□□-2□-B-X2709

Features

All external parts are made of metal.



* This product does not provide any corrosion resistance (anti-rust or anti-discoloration). The product delivery specifications need to be exchanged with SMC due to the wide range of possible outdoor operating conditions.



Handle, Lock button, Screw, Plug: Stainless steel
The use of stainless steel improves the durability of the operation section.

Waterproof cover
Prevents entry of rainwater



Waterproof cover

Combined cycle test
(JIS H 8502:1999) **Passed 960 hours**



Specifications (The flow rate characteristics are the same as the standard product. Refer to the **Web Catalog**.)

| Model | AW30 | AW40 | AW40-06 | AW60 |
|--------------------------------|--------------------------|---------------|---------|--------|
| Port size | 1/4, 3/8 | 1/4, 3/8, 1/2 | 3/4 | 3/4, 1 |
| Pressure gauge port size | 1/8 | | | |
| Fluid | Air | | | |
| Proof pressure | 1.5 MPa | | | |
| Max. operating pressure | 1.0 MPa | | | |
| Set pressure range | 0.05 to 0.85 MPa | | | |
| Ambient and fluid temperatures | -5 to 60°C (No freezing) | | | |
| Nominal filtration rating | 5 μm | | | |
| Bowl material | Aluminum die-cast | | | |

Caution To ensure the safest possible operation of this product, please be sure to thoroughly read the "Safety Instructions" in our "Best Pneumatics" catalog before use.



How to Order (Option/Semi-standard symbol: When more than one specification is required, indicate in alphanumeric order.)

AW 30 - 02 B - 2 R - B - X2709

| Body size | |
|-----------|--------------|
| 30 | Body size 30 |
| 40 | Body size 40 |
| 60 | Body size 60 |

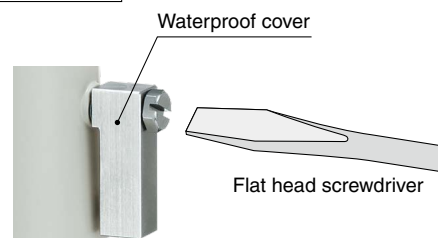
| Flow direction | |
|----------------|-------------------------------|
| Nil | Flow direction: Left to right |
| R | Flow direction: Right to left |

| Bowl | |
|------|------------|
| 2 | Metal bowl |

| Port size | | | | |
|-----------|-----------|-----------|----|----|
| Symbol | Port size | Body size | | |
| | | 30 | 40 | 60 |
| 02 | Rc1/4 | ● | ● | — |
| 03 | Rc3/8 | ● | ● | — |
| 04 | Rc1/2 | — | ● | — |
| 06 | Rc3/4 | — | ● | ● |
| 10 | Rc1 | — | — | ● |

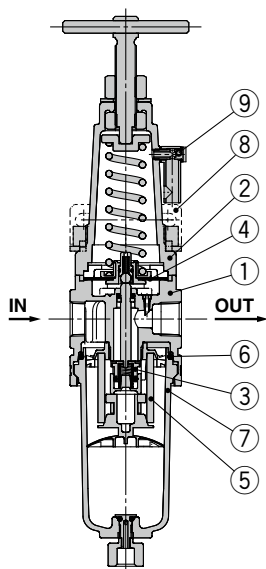
| Mounting option*1 | |
|-------------------|--------------------------------|
| Nil | Without mounting option |
| B*2 | With bracket |
| H*3 | With set nut (for panel mount) |

- *1 Options B and H are not assembled and supplied loose at the time of shipment. The waterproof cover is also supplied loose at the time of shipment. After assembling B or H, be sure to assemble the waterproof cover so that it faces downward (towards the ground) as shown in the photo on the right. After tightening the waterproof cover by hand, retighten it approx. 1/2 turn with a tightening tool. The reference tightening torque is 1 to 1.5 N·m.
- *2 The bracket comes with set nuts (applicable to the AW30 to AW40). The AW60 includes 2 mounting screws.
- *3 Only for the AW30 and AW40. Panel mounting is not available for the AW60.
- * Pressure gauge is not available as an option. (When a pressure gauge is required, please contact SMC separately.)

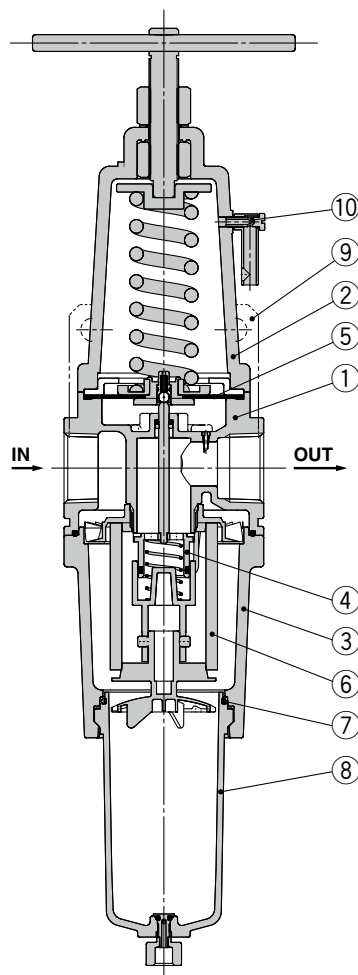


Construction

AW30/40-B-X2709



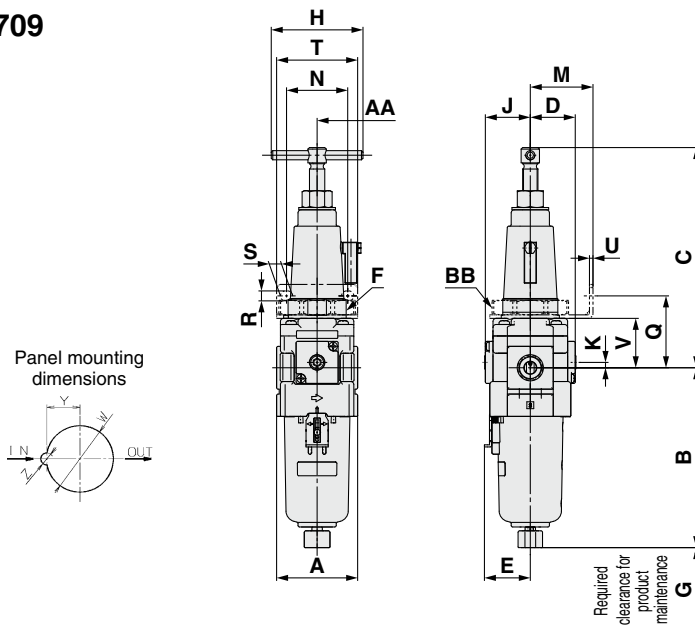
AW60-B-X2709



| No. | | Description | Material | Color |
|------|------|--------------------|-------------------|-------|
| AW30 | AW60 | | | |
| 1 | 1 | Body | Aluminum die-cast | White |
| 2 | 2 | Bonnet | Aluminum die-cast | White |
| — | 3 | Housing | Aluminum die-cast | White |
| 3 | 4 | Valve assembly | Brass, HNBR | — |
| 4 | 5 | Diaphragm assembly | Weatherable NBR | — |
| 5 | 6 | Filter element | Non-woven fabric | — |
| 6 | 7 | Bowl seal | NBR | — |
| 7 | 8 | Bowl assembly | Aluminum die-cast | White |
| 8 | 9 | Bracket assembly | Stainless steel | — |
| 9 | 10 | Waterproof cover | Stainless steel | — |

Dimensions

AW30/40-B-X2709



| Model | A | B | C | D | E | F | G | H | J | K | M | N | Q | R | S | T | U | V |
|-----------------|----|-------|-----|------|------|-----------|----|----|------|-----|----|----|------|-----|------|----|-----|------|
| AW30-B-X2709 | 53 | 117.6 | 144 | 29.4 | 30 | M38 x 1.5 | 55 | 60 | 29.4 | 3.5 | 41 | 40 | 47 | 6.5 | 8 | 53 | 2.3 | 32.3 |
| AW40-B-X2709 | 70 | 149.6 | 162 | 37.3 | 38.4 | M42 x 1.5 | 80 | 60 | 37.3 | 1.5 | 50 | 54 | 59.2 | 8.5 | 10.5 | 70 | 2.3 | 40.7 |
| AW40-06-B-X2709 | 75 | 151.6 | 164 | 37.3 | 38.4 | M42 x 1.5 | 80 | 60 | 37.3 | 1.2 | 50 | 54 | 60.7 | 8.5 | 10.5 | 70 | 2.3 | 42.2 |

| Model | W | Y | Z | AA | BB |
|-----------------|------|----|---|------|-----------------------|
| AW30-B-X2709 | 38.5 | 19 | 7 | 28.8 | Width across flats 50 |
| AW40-B-X2709 | 42.5 | 21 | 7 | 31.8 | Width across flats 55 |
| AW40-06-B-X2709 | 42.5 | 21 | 7 | 31.8 | Width across flats 55 |

AW60-B-X2709

