

Rotary Gripper (Changed starting point of rotation)

MRHQ10~25-※SX-※-※-※-※X103

SMC Corporation
4-14-1, SOTO-KANDA,
CHIYODA-KU,
TOKYO 101-0021, JAPAN
URL: <http://www.smcworld.com>

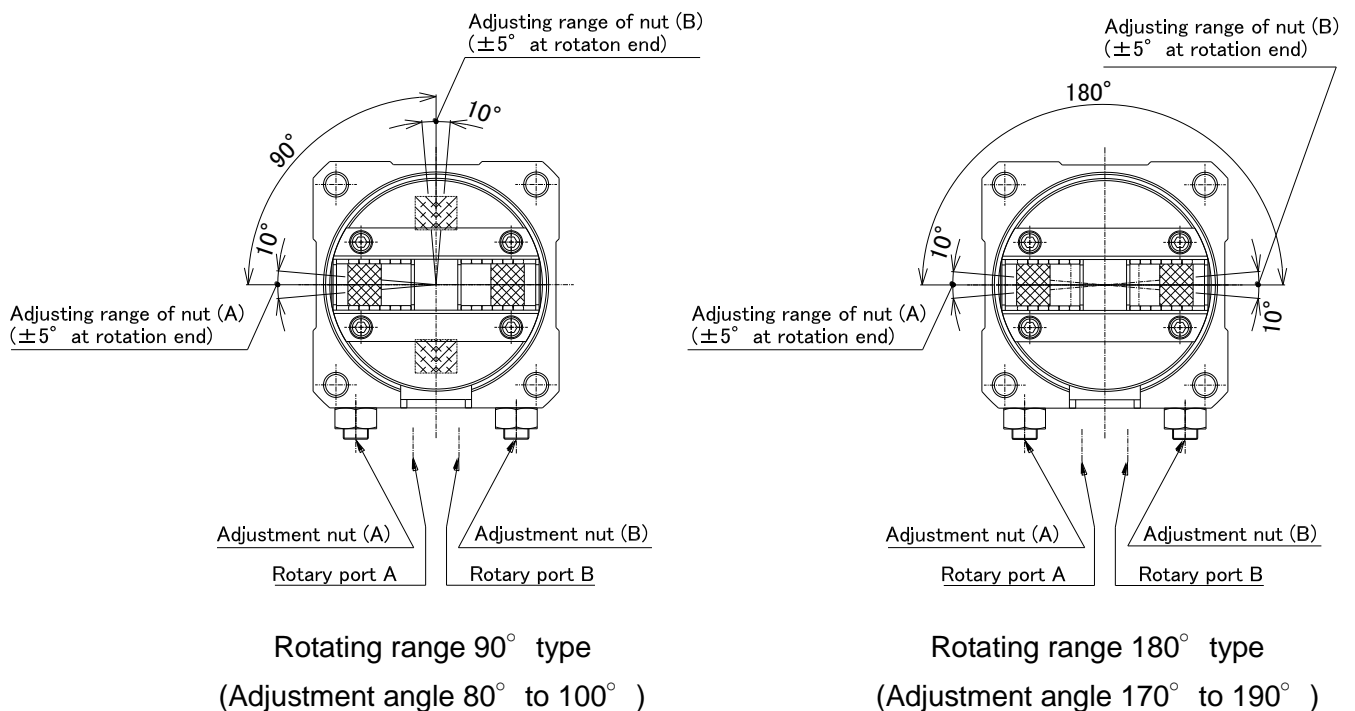
Feature: Starting point of rotation is rotated 90° in relation to the piping port surface.

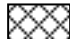
· Mounting flexibility is improved by changing the rotation starting point.

Comparison with Standard Product:

- The starting point of rotation is changed 90° in relation to the piping port surface.
 - Specifications and dimensions are the same as the standard product (MRHQ) except for change of the starting point of rotation. (See Note 1.)

Gripper rotating range



Supplement 1. The positions of the fingers shown in the above cross-hatching (see  area) indicate the initial condition, pressurized from port B.

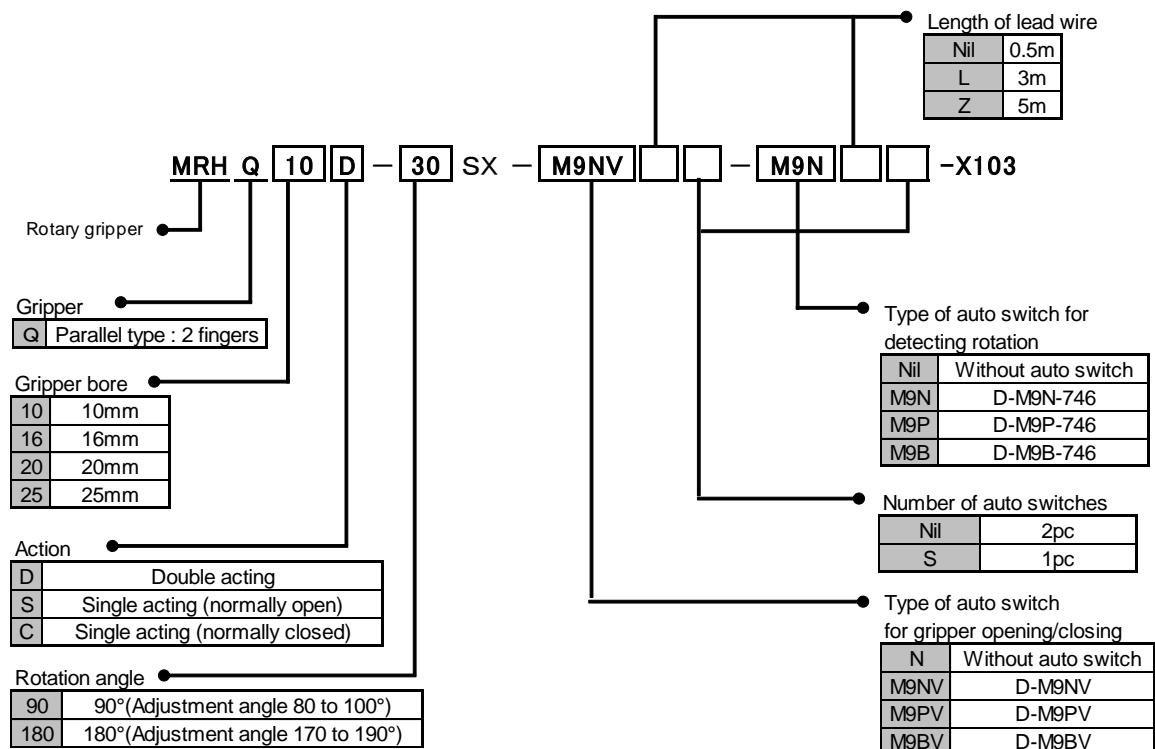
Supplement 2. To adjust rotation $\pm 5^\circ$ at each end, turn the adjusting nut about one and a half turns clockwise or counterclockwise.
(Full 10° of adjustment (-5° to $+5^\circ$) is about three turns.)

Specifications

| | | | | | |
|---|-----------------|---|-------------|-------------|--------|
| Model | | MRHQ10 | MRHQ16 | MRHQ20 | MRHQ25 |
| Fluid | | Air | | | |
| Operating pressure | Rotary section | 0.25~0.7MPa | | 0.25~1.0MPa | |
| | Gripper section | Double acting | 0.25~0.7MPa | 0.1 ~0.7MPa | |
| | | Single acting | 0.35~0.7MPa | 0.25~0.7MPa | |
| Rotation angle | | 30° 45° 60° 75° 105° 120° 135° 150° 165° (Adjusting range: ±5° at each end of rotation) | | | |
| Gripper action | | Double acting, Single acting | | | |
| Ambient and fluid temperature | | 5 to 60°C | | | |
| Adjustable rotation time (See Supplement 3.) | | 0.07 to 0.3 s/90° (0.5MPa) | | | |
| Allowable kinetic energy | | 0.0046J | 0.014J | 0.034J | 0.074J |
| Auto switch | Rotary section | Solid state switch (2 wire, 3 wire) | | | |
| | Gripper section | Solid state switch (2 wire, 3 wire) | | | |

Supplement 3) Operate within the speed adjustment range, as speed control exceeding the upper limit may cause sticking or failure to operate

How to Order



Note 1: Refer to our catalog, Series MRHQ regarding common information such as specifications and dimensions of the product.

⚠ Caution To ensure the safest possible operation of this product, please be sure to thoroughly read the "Safety Instructions" in our "Best Pneumatics" catalog before use.