



# Operation Manual

PRODUCT NAME

***Space Saving Vacuum Ejector  
Vacuum Pump System***

MODEL / Series / Product Number

***ZQ Series***

**SMC Corporation**

# Contents

Safety Instructions	<a href="#">2</a>
Model Indication and How-to-Order	<a href="#">10</a>
Mounting and Installation	<a href="#">15</a>
Air Supply	<a href="#">16</a>
Supply Pressure	<a href="#">16</a>
Piping	<a href="#">16</a>
Connections V port (when the vacuum pressure switch is installed)	<a href="#">17</a>
Solenoid Valve	<a href="#">19</a>
Construction	<a href="#">23</a>
Maintenance and Inspection	<a href="#">24</a>
How to replace the Silencer	<a href="#">25</a>
How to replace the Suction Filter	<a href="#">26</a>
How to order replacement	<a href="#">27</a>
Manifold Products	<a href="#">28</a>
Exhaust from Ejector	<a href="#">30</a>
Specifications	<a href="#">30</a>
Circuit diagram	<a href="#">32</a>
Mass	<a href="#">35</a>
Exhaust Characteristics and Flow Characteristics of Ejector	<a href="#">36</a>
Flow Characteristics Curve	<a href="#">37</a>
Pressure Sensor Assembly	<a href="#">37</a>
Troubleshooting	<a href="#">39</a>



# Safety Instructions

These safety instructions are intended to prevent hazardous situations and/or equipment damage. These instructions indicate the level of potential hazard with the labels of "Caution," "Warning" or "Danger." They are all important notes for safety and must be followed in addition to International Standards (ISO/IEC)□□1), and other safety regulations.

- 1) ISO 4414: Pneumatic fluid power -- General rules relating to systems.
- ISO 4413: Hydraulic fluid power -- General rules relating to systems.
- IEC 60204-1: Safety of machinery -- Electrical equipment of machines .(Part 1: General requirements)
- ISO 10218-1992: Manipulating industrial robots -Safety.
- etc.



## Caution

**Caution** indicates a hazard with a low level of risk which, if not avoided, could result in minor or moderate injury.



## Warning

**Warning** indicates a hazard with a medium level of risk which, if not avoided, could result in death or serious injury.



## Danger

**Danger** indicates a hazard with a high level of risk which, if not avoided, will result in death or serious injury.

## Warning

### 1. The compatibility of the product is the responsibility of the person who designs the equipment or decides its specifications.

Since the product specified here is used under various operating conditions, its compatibility with specific equipment must be decided by the person who designs the equipment or decides its specifications based on necessary analysis and test results.

The expected performance and safety assurance of the equipment will be the responsibility of the person who has determined its compatibility with the product.

This person should also continuously review all specifications of the product referring to its latest catalog information, with a view to giving due consideration to any possibility of equipment failure when configuring the equipment.

### 2. Only personnel with appropriate training should operate machinery and equipment.

The product specified here may become unsafe if handled incorrectly.

The assembly, operation and maintenance of machines or equipment including our products must be performed by an operator who is appropriately trained and experienced.

### 3. Do not service or attempt to remove product and machinery/equipment until safety is confirmed.

1) The inspection and maintenance of machinery/equipment should only be performed after measures to prevent falling or runaway of the driven objects have been confirmed.

2) When the product is to be removed, confirm that the safety measures as mentioned above are implemented and the power from any appropriate source is cut, and read and understand the specific product precautions of all relevant products carefully.

3) Before machinery/equipment is restarted, take measures to prevent unexpected operation and malfunction.

### 4. Contact SMC beforehand and take special consideration of safety measures if the product is to be used in any of the following conditions.

1) Conditions and environments outside of the given specifications, or use outdoors or in a place exposed to direct sunlight.

2) Installation on equipment in conjunction with atomic energy, railways, air navigation, space, shipping, vehicles, military, medical treatment, combustion and recreation, or equipment in contact with food and beverages, emergency stop circuits, clutch and brake circuits in press applications, safety equipment or other applications unsuitable for the standard specifications described in the product catalog.

3) An application which could have negative effects on people, property, or animals requiring special safety analysis.

4) Use in an interlock circuit, which requires the provision of double interlock for possible failure by using a mechanical protective function, and periodical checks to confirm proper operation.



# Safety Instructions

## Caution

### **1. The product is provided for use in manufacturing industries.**

The product herein described is basically provided for peaceful use in manufacturing industries.

If considering using the product in other industries, consult SMC beforehand and exchange specifications or a contract if necessary.

If anything is unclear, contact your nearest sales branch.

## **Limited warranty and Disclaimer/Compliance Requirements**

The product used is subject to the following "Limited warranty and Disclaimer" and "Compliance Requirements".

Read and accept them before using the product.

### **Limited warranty and Disclaimer**

**1. The warranty period of the product is 1 year in service or 1.5 years after the product is delivered. Also, the product may have specified durability, running distance or replacement parts. Please consult your nearest sales branch.**

**2. For any failure or damage reported within the warranty period which is clearly our responsibility, a replacement product or necessary parts will be provided. This limited warranty applies only to our product independently, and not to any other damage incurred due to the failure of the product.**



**3. Prior to using SMC products, please read and understand the warranty terms and disclaimers noted in the specified catalog for the particular products.**

### **Compliance Requirements**

**1. The use of SMC products with production equipment for the manufacture of weapons of mass destruction (WMD) or any other weapon is strictly prohibited.**

**2. The exports of SMC products or technology from one country to another are governed by the relevant security laws and regulation of the countries involved in the transaction. Prior to the shipment of a SMC product to another country, assure that all local rules governing that export are known and followed.**









■ Explanation of Symbols





Symbol	Definition
	Things you must not do. Actual instructions are provided as a drawing or sentence close to this symbol.
	Things you must do. Actual instructions are provided as a drawing or sentence close to this symbol.

■ Operator

1. This Operation Manual is intended for those who have knowledge of machinery using pneumatic equipment, and have sufficient knowledge of assembly, operation and maintenance of such equipment. Only those persons are allowed to perform assembly, operation and maintenance.
2. Read and understand this Operation Manual carefully before assembling, operating or providing maintenance to the product.

## ■ Safety Instructions

 <b>Warning</b>	
 Disassembly prohibited	Do not disassemble, modify (including the replacement of board) or repair other than instructed in this manual.  An injury or failure can result.
 Do not	Do not operate the product outside of the specifications. Do not use for flammable or harmful fluids. Fire, malfunction, or damage to the product can result. Verify the specifications before use.
 Do not	Do not use in an atmosphere containing flammable or explosive gases. Fire or an explosion can result. The product is not designed to be explosion proof.
 Do not	Do not use the product in a place where static electricity is a problem.  Otherwise failure or malfunction of the system can result.
 Do not	Do not cut off the power and compressed air supplied to this product while it is operating.  Otherwise it can cause injury due to dropping of workpieces or damage to the system.
 Instruction	If using the product in an interlocking circuit:  - Provide a double interlocking system, for example a mechanical system. - Check the product for proper operation.  Otherwise malfunction can result, causing an accident.
 Instruction	The following instructions must be followed during maintenance :  Turn off the power supply Stop the air supply, exhaust the residual pressure in piping and verify that the air is released before performing maintenance work. An injury can result.

 <b>Caution</b>	
 Do not touch	Do not touch the terminals and connectors while the power is on. Otherwise electric shock, malfunction or damage to the switch can occur.
 Instruction	Perform sufficient trial run. Otherwise, injury or damage to the system can occur due to suction failure depending on the conditions of the suction of the workpiece or the pressure switch settings. Perform sufficient verification before using this product.
 Instruction	After maintenance is complete, perform appropriate functional inspections and leak test. Stop operation if the equipment does not function properly or there is leakage of fluid. If there is leakage from parts other than the piping, the product might be broken. Cut off power supply and stop supplying fluid. Do not supply fluid if there is leakage. Safety cannot be assured in the case of unexpected malfunction.

#### ■ Handling Precautions

- Follow the instructions given below for selecting and handling of the vacuum unit.
- The instructions on selection (installation, wiring, environment, adjustment, operation, maintenance, etc.) described below must also be followed.

#### ● Product specifications

- For the compressed air quality, refer to JIS B 8392-1 2.4.3 to 2.6.3.  
Insufficient air quality can cause operating failure.  
If compressed air containing condensate is used, install an air dryer or drain catch before the filter and perform drainage regularly.  
If draining is not performed regularly and condensate enters the secondary side, it can cause operating failure of pneumatic equipment.  
When it is difficult to control drainage, the use of a filter with an auto drain is recommended.
- The applicable fluids are air, non-corrosive gas and inert gas.  
Do not use a fluid containing chemicals, synthetic oils including organic solvent, salt and corrosive gases.  
Otherwise, damage to the vacuum unit and malfunction can occur.  
Check the details of the specifications before use.
- Use the specified operating pressure.  
Otherwise it can cause damage to the vacuum unit or inability to hold work piece correctly.
- Reserve suitable space for maintenance.  
Allow sufficient space around the product for maintenance when designing the system.
- Use the specified voltage.  
Otherwise failure or malfunction can occur.
- Do not exceed the specified maximum allowable load.  
Otherwise it can cause damage or shorten the life of the product.
- Design the product to prevent reverse current when the circuit is opened or the product is forced to operate for operational check.  
Reverse current can cause malfunction or damage the product.

• ○ Handling

□ Mounting

- Tighten to the specified tightening torque.  
If the tightening torque is exceeded, the mounting screws, brackets and the product can be damaged.  
Insufficient torque can cause displacement of the product from its proper position and loosening of the mounting screws.
- Ensure that the FG terminal is connected to ground when using a commercially available switch-mode power supply.
- Do not drop, hit or apply excessive shock to the product.  
Otherwise damage to the internal parts of the product, solenoid valve and internal parts of the pressure switch can occur, causing malfunction.
- Do not pull the lead wire forcefully, or lift the product by pulling the lead wire. (Tensile strength 35N or less)  
Hold the body when handling to avoid damaging the product.  
The solenoid valve and the pressure switch will be damaged, leading to failure and malfunction.
- Eliminate any dust left in the piping by using a blast of air before connecting the piping to the product.  
If dust is left in the piping, failure and malfunction can result.
- Do not insert metal wires or other foreign objects into the pressure port of the pressure sensor.  
The pressure sensor will be damaged, leading to failure and malfunction.
- If the fluid may contain foreign matter, install and connect a filter or mist separator to the inlet.  
Failure and malfunction can result.

□ Wiring (Including connecting/disconnecting of the connectors)

- Do not pull hard on the lead wire, or lift the product by holding the lead wires (Tensile strength 35 N or less).
- In particular, never lift the product by the lead wire of the solenoid valve or the pressure switch when fittings and piping are built in.  
Otherwise damage to the solenoid valve or the internal parts of the pressure switch can result, causing malfunction or causing the connector to come off.
- Avoid repeatedly bending, stretching or applying a heavy object or force to the lead wire.  
Repetitive bending stress or tensile stress to the lead wire can cause the sheath of the wire to peel off.  
If the lead wire can move, fix it near the body of the product.  
The recommended bend radius of the lead wire is 6 times the outside diameter of the sheath, or 33 times the outside diameter of the insulation material, whichever is larger.  
Replace the damaged lead wire with a new one.
  - Wire correctly.  
Incorrect wiring can cause malfunction or breakage of the solenoid valve or the pressure switch/sensor.
  - Do not perform wiring while the power is on.  
Otherwise damage to the solenoid valve or the internal parts of the pressure switch/sensor can result, causing malfunction.
  - Do not route wires and cables together with power or high voltage cables.  
Route the wires (piping) of the solenoid valve or the pressure switch separately from power or high voltage cables in order to avoid noise or surge entering the signal line from the power or high voltage line.
  - Confirm proper insulation of wiring.  
Poor insulation (interference with other circuits, poor insulation between terminals etc.) can apply excessive voltage or current to the solenoid valve or the pressure sensor, causing damage.
  - Design the system to prevent reverse current when the product is forced to operate for operational check.  
Depending on the circuit used, insulation may not be maintained when operation is forced, allowing reverse current to flow, which can cause malfunction and damage to the solenoid valve or the pressure switch.
  - Keep wiring as short as possible to prevent interference from electromagnetic noise and surge voltage.  
Do not use a cable longer than 10 m.  
Wire the DC (-) line (solenoid valve: black, pressure switch: blue) as close as possible to the power supply.



**□ Operating environment**

- Do not use in an environment where corrosive gases, chemicals, sea water, water or steam are present.

These can cause failure or malfunction.

- Do not use the product in a place where the product could be splashed by oil or chemicals.

If the product is to be used in an environment containing oils or chemicals such as coolant or cleaning solvent, even for a short time, it may be adversely affected (damage, malfunction, or hardening of the lead wires).

- Do not use the product in an area where surge is generated.

When there are machines or equipment that generate large surge near the pressure switch (magnetic type lifter, high frequency inductive furnace, motor, etc.), this can result in deterioration and damage of the internal elements. Take measures against the surge sources, and prevent the lines from coming into close contact.

- Do not use a load which generates surge voltage.

When a surge-generating load such as a relay or solenoid is directly driven, use the product with a surge absorbing element built-in.

- Take measures against surge voltages due to lightning strikes in the system.

The product is CE/UKCA marked but not immune to lightning strikes, so take measures against lightning strikes.

- Be aware of excessive surrounding noise

The product is CE/UKCA marked and has passed the EMC test, but excessive noises in the surrounding area may affect the functioning of the product.

- Mount the product in a location that is not affected by vibration or impact.

Failure and malfunction can occur.

- Do not let foreign matter, such as wire debris, get inside the product.

In order to avoid failure and malfunction, do not let foreign matter, such as wire debris, get inside the product.

- Do not use this product in places where there are cyclic temperature changes.

Heat cycles other than ordinary changes in temperature can adversely affect the inside of the product.

- Do not use where the product is exposed to direct sunlight.

Shade the sunlight in locations where the product is exposed to direct sunlight.

Failure and malfunction can result.

- Keep within the specified operating fluid and ambient temperature range.

The operating fluid and ambient temperature range is 5 to 50°C. Operation under low temperature may lead to damage or operation failure due to frozen moisture in the fluid or air.

Protection against freezing is necessary. Mounting of an air dryer is recommended for elimination of drainage and water.

Avoid abrupt temperature changes even within the specified temperature range.

- Do not use in a location where the product is exposed to radiant heat from surrounding heat sources.

This can cause operating failure.

**□ Adjustment/Operation**

- Connect a load before turning the power supply on.

If the power supply is turned on with no load, over current may flow, causing the pressure switch to break instantly.

- Do not short circuit the load.

An error is displayed when the load of the pressure switch is short circuited, but over current may flow, causing damage to the pressure switch.

- Do not press the setting buttons with a sharp pointed object.

This may damage the setting buttons.

- If using the product to detect very small pressures, warm up the product for 10 to 15 minutes first.

There will be a drift on the display of approx. 1% for 10 minutes after the power supply is turned on.

- Perform settings suitable for the operating conditions.

Incorrect setting can cause operation failure.

For details of each setting, refer to the Operation Manual of the pressure switch.

- Do not touch the LED during operation.

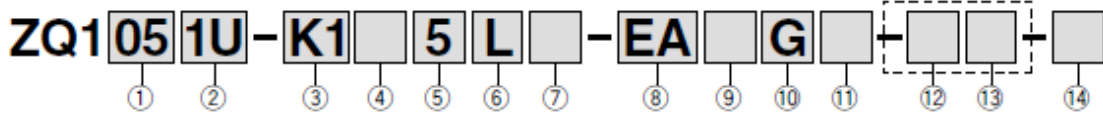
The display can vary due to static electricity.

□ **Maintenance**

- Turn off the power supply, stop the supplied air, exhaust the residual compressed air in the piping and verify the release of air before performing maintenance.  
There is a risk of unexpected malfunction of components.
- Perform regular maintenance and inspections.  
There is a risk of unexpected malfunction of components due to the malfunction of equipment and machinery.
- Perform drainage regularly.  
If condensate enters the secondary side, it can cause operating failure of pneumatic equipment.
- Do not use solvents such as benzene, thinner etc. to clean the product.  
They could damage the surface of the product and erase the indication on the product.  
Use a soft cloth to remove stains. For heavy stains, use a cloth soaked with diluted neutral detergent, then wipe again with a dry cloth.

# How to Order

## Ejector Unit



### ① Nozzle nominal size

05	ø0.5
07	ø0.7
10	ø1.0

### ② Exhaust type

1U	With silencer for single unit
3M	With silencer for manifold

### ③ Solenoid valve combination (Refer to Table (1).)

Symbol	Supply valve	Vacuum release valve
K1	Normally closed	Normally closed
K2 <small>Note 1)</small>	Normally open	Normally closed
J1	Normally closed	None
J2 <small>Note 1)</small>	Normally open	None
Q1	Latching positive common	Normally closed
Q2	Latching positive common	None
N1	Latching negative common	Normally closed
N2	Latching negative common	None

Note 1) In cases when K2 or J2 (supply valve normally open) is selected for the solenoid valve combination, when vacuum is stopped for long periods of time (10 minutes or more), do not continue to energize the supply valve, and shut off the air supply.

### ④ Pilot valve (Refer to Table (1).)

Nil	Standard (DC: 1 W) <small>Note 2)</small>
Y	DC low wattage type (0.5 W) <small>Note 2)</small>

Note 2) Avoid energizing the solenoid valve for long periods of time. (Refer to Design and Selection on Specific Product Precautions.)

### ⑤ Solenoid valve rated voltage (Refer to Table (1).)

		CE/UKCA-compliant
1 <small>Note 3)</small>	100 VAC (50/60 Hz)	—
2 <small>Note 3)</small>	200 VAC (50/60 Hz)	—
3 <small>Note 3)</small>	110 VAC (50/60 Hz)	—
4 <small>Note 3)</small>	220 VAC (50/60 Hz)	—
5	24 VDC	●
6	12 VDC	●

Note 3) CE/UKCA-compliant products are not available for "1", "2", "3" and "4".

Table (1) Combination of Solenoid Valve, Pilot Valve and Power Supply Voltage

Combination no.	Solenoid valve combination symbol	Pilot valve symbol	Applicable power supply voltage (V)					
			100 AC	200 AC	110 AC	220 AC	24 DC	12 DC
①	K1	Nil	—	—	—	—	●	●
②	K1	Y	—	—	—	—	●	●
③	K2	Nil	—	—	—	—	●	●
④	J1	Nil	●	●	●	●	●	●
⑤	J1	Y	—	—	—	—	●	●
⑥	J2	Nil	—	—	—	—	●	●
⑦	Q1	Nil	—	—	—	—	●	●
⑧	Q2	Nil	●	●	●	●	●	●
⑨	N1	Nil	—	—	—	—	●	●
⑩	N2	Nil	—	—	—	—	●	●

\* Combinations ① to ⑩ in the above table are the only possible options.

### ⑥ Electrical entry

L	L-type plug connector, with 0.3 m lead wire, with light/surge voltage suppressor	
LO	L-type plug connector, without connector, with light/surge voltage suppressor	
G	Grommet, with 0.3 m lead wire (Latching/AC type: Not applicable)	

### ⑦ Manual override Note 4)

Nil	Non-locking push type Latching type: Push-locking type
B	Locking type (Q1/Q2/N1/N2: Not applicable)

Note 4) Latching type supply valve: Available in "Nil" only.  
In this case, the supply valve and release valve come with a push-locking type.

⑧ Vacuum pressure switch suction filter <sup>Note 5)</sup>

EA	0 to -101 kPa/NPN open collector 2 outputs, with suction filter
EB	0 to -101 kPa/PNP open collector 2 outputs, with suction filter
EC	0 to -101 kPa/NPN open collector 1 output + analog voltage, with suction filter
EE	0 to -101 kPa/PNP open collector 1 output + analog voltage, with suction filter
FA	100 to -100 kPa/NPN open collector 2 outputs, with suction filter
FB	100 to -100 kPa/PNP open collector 2 outputs, with suction filter
FC	100 to -100 kPa/NPN open collector 1 output + analog voltage, with suction filter
FE	100 to -100 kPa/PNP open collector 1 output + analog voltage, with suction filter
F	Suction filter only

Note 5) The filter included in this product is of a simple type, and will become clogged quickly in environments with high quantities of dust or particulates. Please make additional use of an air suction filter of the ZFA, ZFB or ZFC series.

## ⚠ Warning

The filter case of this suction filter is made of nylon. Contact with alcohol or similar chemicals may cause it to be damaged. Also, do not use the filter when these chemicals are present in the atmosphere.

⑪ Check valve <sup>Note 8)</sup>

Nil	None
K	With check valve

Note 8) The check valve has a function to prevent the exhaust air from the silencer overflowing to the vacuum port side when a manifold is used. However, depending on usage conditions, it does not always suppress air overflow to the desired extent. During usage, please inspect thoroughly with actual machine.

Also, in order to completely prevent the overflow of exhaust air, leave plenty of space between the check valve unit and adjacent ejector to avoid interference from the ejector's exhaust unit.

## ⚠ Warning

- ① Cannot be used for vacuum retention.
- ② Use a release valve. (Without a release valve, a workpiece may not be released.)

⑫ Fitting (V port) <sup>Note 9)</sup>

Symbol	Applicable tubing O.D.	Part no.	
		Vacuum pressure switch	Filter only
0	Without fitting (M5 x 0.8)	VVQ1000-50A-M5	—
1	ø3.2 (Straight)	VVQ1000-50A-C3	KQ2S23-M5N1
2	ø4 (Straight)	VVQ1000-50A-C4	KQ2S04-M5N1
3	ø6 (Straight)	VVQ1000-50A-C6	KQ2S06-M5N
4	ø3.2 (Elbow)	VVQ1000-F1-LC3	KQ2L23-M5N1
5	ø4 (Elbow)	VVQ1000-F1-LC4	KQ2L04-M5N1

⑬ Fitting (P port) <sup>Note 9)</sup>

Symbol	Applicable tubing O.D.	Part no.	Object spec.
Nil	Without port	—	Manifold
0	Without fitting (M5 x 0.8)	—	Single unit
2	ø4 (Straight)	KQ2S04-M5N1	
3	ø6 (Straight)	KQ2S06-M5N	
5	ø4 (Elbow)	KQ2L04-M5N1	

Note 9) For filter only (Without vacuum pressure switch)

When neither V port fitting nor P port fitting are needed, enter nothing or -00 in the dotted line above "How to Order".

## ⑨ Vacuum pressure switch unit specifications

Nil	With unit switching function <sup>Note 6)</sup>
M	Fixed SI unit <sup>Note 7)</sup>
P	With unit switching function <sup>Note 6)</sup> (Initial value psi)

Note 6) Under the New Measurement Law, sales of switches with the unit switching function are not allowed for use in Japan.

Note 7) Fixed unit: kPa

## ⑩ Vacuum pressure switch lead wire specifications

Nil	Without connector
G	Lead wire with connector (Lead wire length 2 m) With connector cover

## ⑭ CE/UKCA compliant

Nil	—
Q	CE/UKCA marked

Note) CE/UKCA-compliant for DC only.

Manifold

**ZZQ1 07 - B S C**

**Number of stations** Note)

01	1 station
02	2 stations
⋮	⋮
08	8 stations

Note) Number of stations varies according to nozzle nominal size during simultaneous operation.

**Air pressure supply (P) port position**

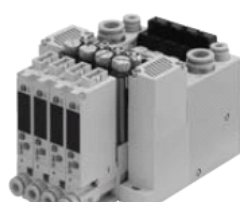
B	Both sides
---	------------

**Exhaust**

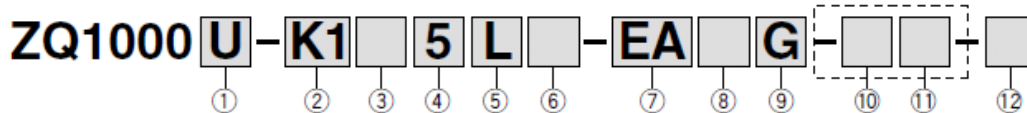
S	With silencers (Both sides)
---	-----------------------------

**Vacuum release pressure supply port (PD port)**

B	None (Release pressure is supplied from the P port.)
C	Provided (Air can be alternatively supplied from the P port.)



Vacuum Pump Unit



① **Body type**

U	For single unit
M	For manifold

② **Solenoid valve combination (Refer to Table (1).)**

Symbol	Supply valve	Vacuum release valve
K1	Normally closed	Normally closed
K2 <small>Note 1)</small>	Normally open	Normally closed
J1	Normally closed	None
J2 <small>Note 1)</small>	Normally open	None
Q1	Latching positive common	Normally closed
Q2	Latching positive common	None
N1	Latching negative common	Normally closed
N2	Latching negative common	None

⚠ The air in the adsorption section of this product is not released to the atmosphere at the vacuum suspension state. As for K1, K2, Q1 and N1, use the vacuum release valve when a workpiece is detached. Concerning J1, J2, Q2 and N2, devise the circuit for the vacuum release additionally when a workpiece is detached.

Note 1) In cases when K2 or J2 (supply valve normally open) is selected for the solenoid valve combination, when vacuum is stopped for long periods of time (10 minutes or more), do not continue to energize the supply valve, and shut off the air supply.

③ **Pilot valve (Refer to Table (1).)**

Nil	Standard (DC: 1 W) <small>Note 2)</small>
Y	DC low wattage type (0.5 W) <small>Note 2)</small>

Note 2) Avoid energizing the solenoid valve for long periods of time. (Refer to Specific Product Precautions 1; Caution on Design and Selection.)

④ **Solenoid valve rated voltage (Refer to Table (1).)**

		CE/UKCA-compliant
1 <small>Note 3)</small>	100 VAC (50/60 Hz)	—
2 <small>Note 3)</small>	200 VAC (50/60 Hz)	—
3 <small>Note 3)</small>	110 VAC (50/60 Hz)	—
4 <small>Note 3)</small>	220 VAC (50/60 Hz)	—
5	24 VDC	●
6	12 VDC	●

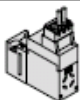

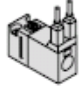
Note 3) CE/UKCA compliant products are not available for "1", "2", "3" and "4".

**Table (1) Combination of Solenoid Valve, Pilot Valve and Rated Voltage**

Combination no.	Solenoid valve combination symbol	Pilot valve symbol	Applicable power supply voltage (V)					
			100 AC	200 AC	110 AC	220 AC	24 DC	12 DC
①	K1	Nil	—	—	—	—	●	●
②	K1	Y	—	—	—	—	●	●
③	K2	Nil	—	—	—	—	●	●
④	J1	Nil	●	●	●	●	●	●
⑤	J1	Y	—	—	—	—	●	●
⑥	J2	Nil	—	—	—	—	●	●
⑦	Q1	Nil	—	—	—	—	●	●
⑧	Q2	Nil	●	●	●	●	●	●
⑨	N1	Nil	—	—	—	—	●	●
⑩	N2	Nil	—	—	—	—	●	●

\* Combinations ① to ⑩ in the above table are the only possible options.

⑤ Electrical entry

<b>L</b>	L-type plug connector, with 0.3 m lead wire, with light/surge voltage suppressor	
<b>LO</b>	L-type plug connector, without connector, with light/surge voltage suppressor	
<b>G</b>	Grommet, with 0.3 m lead wire (Latching/AC type: Not applicable)	

⑥ Manual override <sup>Note 4)</sup>

<b>Nil</b>	Non-locking push type Latching type: Push-locking type
<b>B</b>	Locking type (Q1/Q2/N1/N2: Not applicable)

Note 4) Latching type supply valve: Available in "Nil" only.  
In this case, the supply valve and release valve come with a push-locking type.

⑦ Vacuum pressure switch suction filter <sup>Note 5)</sup>

<b>EA</b>	0 to -101 kPa/NPN open collector 2 outputs, with suction filter
<b>EB</b>	0 to -101 kPa/PNP open collector 2 outputs, with suction filter
<b>EC</b>	0 to -101 kPa/NPN open collector 1 output + analog voltage, with suction filter
<b>EE</b>	0 to -101 kPa/PNP open collector 1 output + analog voltage, with suction filter
<b>FA</b>	100 to -100 kPa/NPN open collector 2 outputs, with suction filter
<b>FB</b>	100 to -100 kPa/PNP open collector 2 outputs, with suction filter
<b>FC</b>	100 to -100 kPa/NPN open collector 1 output + analog voltage, with suction filter
<b>FE</b>	100 to -100 kPa/PNP open collector 1 output + analog voltage, with suction filter
<b>F</b>	Suction filter only

Note 5) The filter included in this product is of a simple type, and will become clogged quickly in environments with high quantities of dust or particulates. Please make additional use of an air suction filter of the ZFA, ZFB or ZFC series.

**⚠ Warning**

The filter case of this suction filter is made of nylon. Contact with alcohol or similar chemicals may cause it to be damaged. Also, do not use the filter when these chemicals are present in the atmosphere.

⑧ Vacuum pressure switch unit specifications

<b>Nil</b>	With unit switching function <sup>Note 6)</sup>
<b>M</b>	Fixed SI unit <sup>Note 7)</sup>
<b>P</b>	With unit switching function <sup>Note 6)</sup> (Initial value psi)

Note 6) Under the New Measurement Law, sales of switches with the unit switching function are not allowed for use in Japan.

Note 7) Fixed unit: kPa

⑨ Vacuum pressure switch lead wire specifications

<b>Nil</b>	Without connector
<b>G</b>	Lead wire with connector (Lead wire length 2 m) With connector cover

⑩ Fitting (P port) <sup>Note 8)</sup>

Symbol	Applicable tubing O.D.	Part no.	
		Vacuum pressure switch	Filter only
<b>0</b>	Without fitting (M5 x 0.8)	VVQ1000-50A-M5	—
<b>1</b>	ø3.2 (Straight)	VVQ1000-50A-C3	KQ2S23-M5N1
<b>2</b>	ø4 (Straight)	VVQ1000-50A-C4	KQ2S04-M5N1
<b>3</b>	ø6 (Straight)	VVQ1000-50A-C6	KQ2S06-M5N
<b>4</b>	ø3.2 (Elbow)	VVQ1000-F1-LC3	KQ2L04-M5N1
<b>5</b>	ø4 (Elbow)	VVQ1000-F1-LC4	KQ2L23-M5N1

⑪ Fitting (PS / PV port) <sup>Note 8)</sup>

Symbol	Applicable tubing O.D.	Part no.	Object spec.
<b>Nil</b>	Without port	—	Manifold
<b>0</b>	Without fitting (M5 x 0.8)	—	Single unit
<b>2</b>	ø4 (Straight)	KQ2S04-M5N1	
<b>3</b>	ø6 (Straight)	KQ2S06-M5N	
<b>5</b>	ø4 (Elbow)	KQ2L04-M5N1	

⑫ CE/UKCA compliant

<b>Nil</b>	—
<b>Q</b>	CE/UKCA marked

Note) CE/UKCA compliant: for DC only.

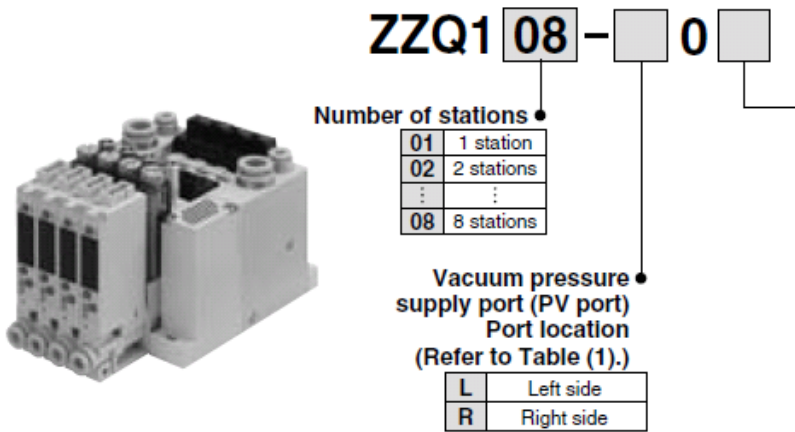
Note 8) For filter only (Without vacuum pressure switch)  
When neither V port fitting nor PS/PV port fitting are needed, enter nothing or -00 in the dotted line above "How to Order".

B

D



■ Manifold



**Table (1) Air Pressure Supply Port Location on the Manifold**

PD port	Manifold Port location	Left			Right		
		PS	PV	PD	PS	PV	PD
B	L (Left side)	—	●	—	● (Note)	—	—
	R (Right side)	● (Note)	—	—	—	●	—
C	L (Left side)	—	●	●	●	—	●
	R (Right side)	●	—	●	—	●	●

Note) The position of each port is shown as right and left sides viewed from the front side of the vacuum port.

Release pressure is commonly supplied from the PS port.

\* PS: Pilot pressure supply port, PV: Vacuum pressure supply port, PD: Release pressure supply port

**Release pressure supply port (PD port)**

<b>B</b>	None (Release pressure is supplied from the PS port.)
<b>C</b>	Provided (Air can be alternatively supplied from the PS port.)

## Mounting and Installation

Note the following points when mounting and installing the product.

### ■ Common Precautions for Mounting and Installation

1. It is necessary to perform maintenance and replacement of the suction filter regularly to maintain the proper operation of the ejector and vacuum pump system. Ensure sufficient space for maintenance work when installing the product.
2. If the product is operated in a dusty environment or if there is dust on the surface of the work pieces, it can cause clogging of the silencing material as well as the suction filter. Secure space necessary for the maintenance checks and replacement of the silencer when the ejector performance decreases.
3. Keep the ambient temperature of the product between 5 and 50°C. In environments such as inside a panel where heat radiation efficiency is poor, the ambient temperature will rise due to the heat generation of the coil of the solenoid valve, causing malfunction.
4. When handling the product, do not hold the lead wires or cables of the solenoid valve or pressure switch for vacuum. Otherwise, this may cause damage to cable connections and damage to the product.

### ■ Mounting and installation of Single Unit Ejectors

1. When the body is mounted on the wall, tighten the screw to the tightening torque of 0.54 to 0.66Nm.  
Using excessive torque may cause damage to the body
2. Do not block the exhaust port of the ejector.



## Air Supply

- Use clean air.
1. Using compressed air which contains chemicals, synthetic oils containing organic solvents, salts or corrosive gases, etc. can cause damage or malfunction. Do not use compressed air containing toxic impurities.
  2. If the compressed air contains excessive moisture or carbon powder, it can stick to the vacuum parts (the nozzle diffuser), inside of the solenoid valve or the pressure switch and cause a decrease in performance or operation failure. An air dryer, mist separator, and filter should be installed upstream from filters.  
If condensation in the drain bowl and air filter is not emptied on a regular basis, the bowl will overflow and allow the condensation to enter the compressed air lines. This causes malfunction of pneumatic equipment. If the drain bowl is difficult to check and remove, installation of a drain bowl with an auto drain option is recommended.
  3. For the compressed air quality, refer to 2.4.3, 2.5.3 and 2.6.3 of ISO8573-1:2001 (JIS B8392-1:2003). It is recommended that an air filter and a mist separator are connected to the upstream side of the ejector and the pump system. (Refer to Air Preparation Equipment Selection Guide in Best Pneumatics 5 for detail.)

## Supply Pressure

- Use the product within the specified supply pressure range.  
Operation over the specified supply pressure range can cause damage to the product.  
Especially for the vacuum pump system with the nozzle type pad, the pressure inside the product can increase due to the release pressure. Use an appropriate pressure and make sure that the vacuum pad is not clogged.

## Piping

- Piping for Air and Vacuum Supply
1. Before piping  
Before piping, perform air blow (flushing) or cleaning to remove any cutting chips, cutting oil, dust, etc. from the piping.
  2. When connecting tubing, consider factors such as changes in the tubing length due to pressure, and allow a sufficient margin.  
Otherwise, it can damage the fitting and cause the tube to come off. Refer to Fittings & Tubing Precautions from 1 to 4 shown in Best Pneumatics 6 on SMC's website (URL <http://www.smeworld.com>) for the recommended piping conditions.

## ■ Handling of V port (when the pressure switch for vacuum is installed)

1. Allow a sufficient margin of tube length when piping, in order to prevent twisting, tensile, moment loads, vibration or impact being applied to the tubes and fittings.

This can cause damage to the tube fittings and crushing, bursting or disconnection of tubing.

2. Piping to the product is assumed to be static piping.

If the tube moves, it may become worn, elongated or torn due to tensile forces, or disconnected from the fitting. Ensure the tube is in a static condition at all times before using.

3. Prevent the connected tube from being rotated.

If the fittings are used in this way, the fitting may fail.

4. Do not lift the product by holding the piping after the tube is connected to the vacuum (V) port.

## Connections to V port (when the vacuum pressure switch is installed)

### ■ Precautions

1. Make sure the O-rings of the One-touch fittings are free from scratches and dust.

Scratches or dust may result in air and vacuum leakage.

2. When removing or inserting the tube from/into the One-touch fitting, hold the body of the One-touch fitting in your hand.

If it is removed or inserted without holding the body of the One-touch fitting, excessive force will be applied to the V port assembly or the One-touch fitting assembly, and it may cause damage and/or air leakage. Also, if a non-axial force is applied to the filter case, the case may break.

### ■ One-touch Fittings Precautions

1. Insertion of the tube

1) Cut the tube perpendicularly, being careful not to damage the external surface. Use SMC's tube cutter TK-1, 2 or 3 for cutting. Do not cut the tube with pliers, nippers, scissors, etc. If the tube is cut by any tools other than a tube cutter, the cut surface of the tube will be slanted or flat, making it impossible to be connected securely, or causing the tube to come off or air leakage after the tube is connected. Also, allow a sufficient margin of tube length.

2) Hold the tube and push it in slowly, inserting it securely all the way into the fitting.

3) After inserting the tubing, pull on it gently to confirm that it will not come out. If it is not installed securely all the way into the fitting, problems such as leakage or disconnection of the tube can occur.

#### 2. Removal of the tube

1) KQ2 series is used for the vacuum (V) port. For this series, the tube can be removed by pushing one part of the release button.

2) Hold down the release button while pulling out the tube. If the release button is not held down fully, there will be more bite so it will be more difficult to pull out the tube.

3) If the removed tubing is to be used again, cut off the section of the tubing which has been gripped. Using the gripped portion of the tube as it is can cause problems such as air leakage or difficulty in removing the tube.

B

- Precautions for Use of Other Manufacturers' Tubes If tubes of brands other than SMC are used, confirm that the materials and tolerance of the tubing outside diameter will satisfy the following specifications.

- 1) Nylon tube                                 within +/-0.1mm
- 2) Soft nylon tube                         within +/-0.1mm
- 3) Polyurethane tube                     within +/-0.15mm and -0.2mm

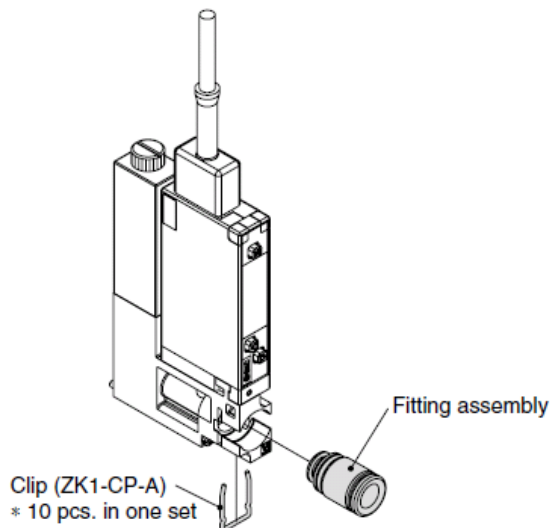
Do not use tubing which does not meet these outside diameter tolerances. Connection to the fitting may fail, causing disconnection of the tube and air leakage.

- Replacement of V Port Fittings (With vacuum pressure switch)

V port fittings are cassette style for easy replacement.

The fittings are blocked by a clip. Remove the clip with a flat blade screw driver, etc. to replace the fittings.

When mounting the fittings, after inserting the fitting assembly until it stops, then put the clip into the prescribed position completely.



Applicable tubing O.D.	Straight	Elbow
Applicable tubing O.D. ø3.2	VVQ1000-50A-C3	VVQ1000-F1-LC3
Applicable tubing O.D. ø4	VVQ1000-50A-C4	VVQ1000-F1-LC4
Applicable tubing O.D. ø6	VVQ1000-50A-C6	—
M5 female thread	VVQ1000-50A-M5	—

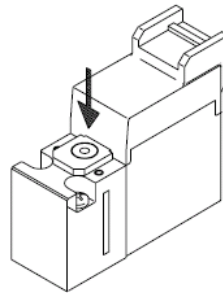
# Solenoid Valve

## Manual Override

Vacuum for the ejector or the vacuum pump system is generated or released by manual operation.  
Use the manual override after confirming That there is no danger.

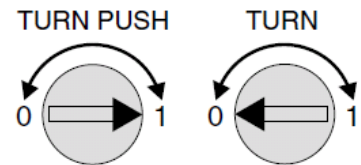
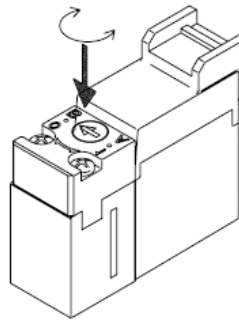
When operating the locking type with a screwdriver, turn it gently using a watchmaker's screwdriver.  
Tightening torque: 1.7 +/-0.2Nm}

### Non-locking push type (Tool required)



It is turned ON by pressing the manual override all the way in the direction indicated by the arrow ( ( ↓ ) and it is turned OFF by releasing it.

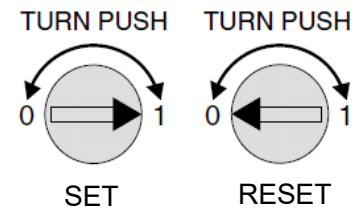
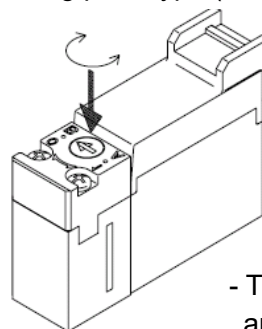
### Locking type (Tool required) <Semi-standard>



- Turn the manual override to the right and line up the arrow ( ▶ ) with 1 to lock
- Turn the manual override to the left and line up the arrow( ◀ ) with 0 to unlock and recover the manual override.

Note) For the locking type manual override, be sure to release the lock before starting the normal operation.

### Locking push type (Tool required) <Latching type>



- Turn the manual override to the right and line up the arrow ( ▶ ) with 1 to lock in the SET state (flow from P to A).
- Turn the manual override to the left and line up the arrow ( ◀ ) with 0 to return it to the RESET state (flow from A to P).(It is set to RESET state when shipped.)

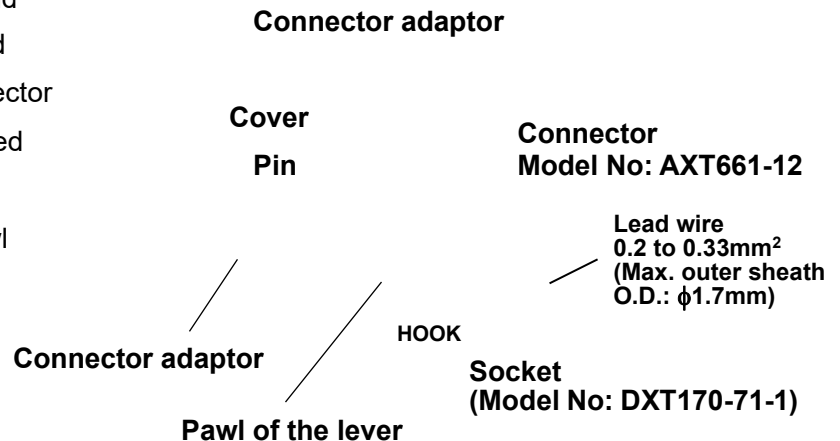


ソケット  
型番DXT170-71-1

## ■ How to Use Plug Connector

Connection and removal of the connector

- To attach a connector, hold the lever and connector unit between your fingers and insert straight onto the pins of the connector adaptor so that the lever's pawl is pushed into the groove and locks.
- To detach a connector, remove the pawl from the groove by pushing the lever downward with your thumb, and pull the connector straight out.

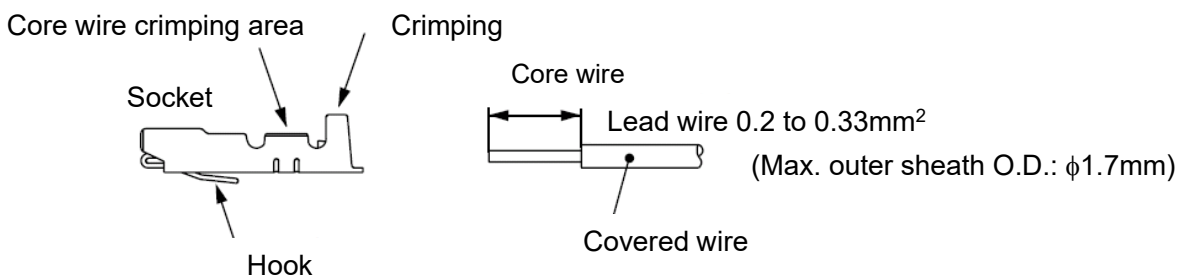


Note ) Do not pull the lead wire forcefully. Otherwise, connection failure and broken wire can result.

## Crimping lead wires and sockets

Peel 3.2 to 3.7mm of the tip of the lead wire, insert the core wires neatly into the socket and crimp it with a special crimping tool. Make sure the cover of the lead wire does not enter into the core wire crimping part.

( Crimping tool: Model No. DXT170-75-1 )



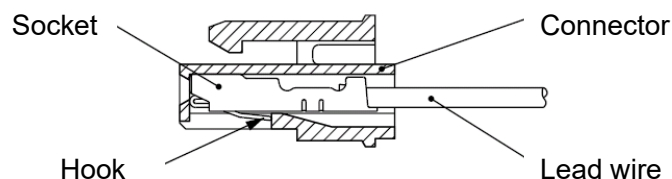
## Attaching and detaching sockets with lead wire

### - Attaching

Insert the socket into the square hole (Indicated as A, C and B) of the connector, push the lead wire in and lock it by engaging the hook of the socket with the seat of the connector.

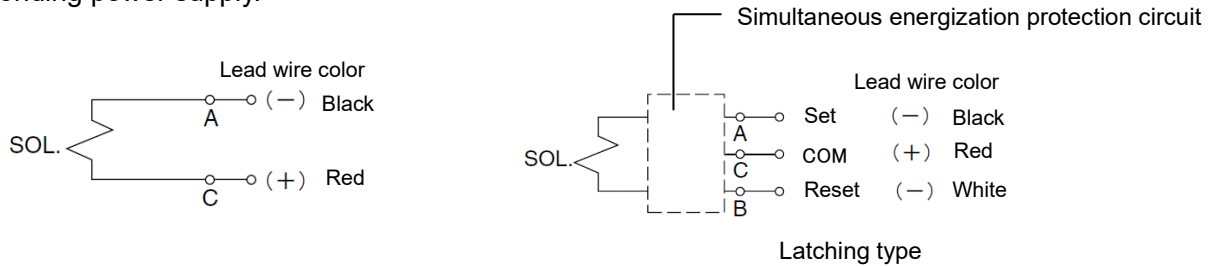
### - Detaching

To remove the socket from the connector, pull out the lead wire by pushing the hook on the socket with a stick with a fine point (approx. 1mm). If the socket is to be re-used, open up the hook to the outside.



### Wiring Specifications

- The lead wire of the solenoid valve is connected as shown below. Connect each wire to the corresponding power supply.



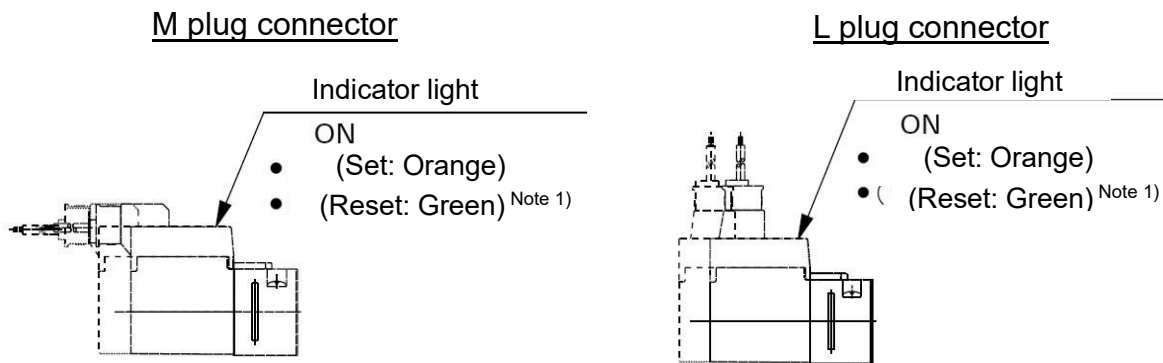
#### - Plug Connector Lead Wire Length

Lead wire length of the solenoid valve with lead wire is 300mm. When placing an order for the solenoid valve with the lead wire whose length is 600mm or longer, include the connector assembly part number together with the part number for the solenoid valve without connector.

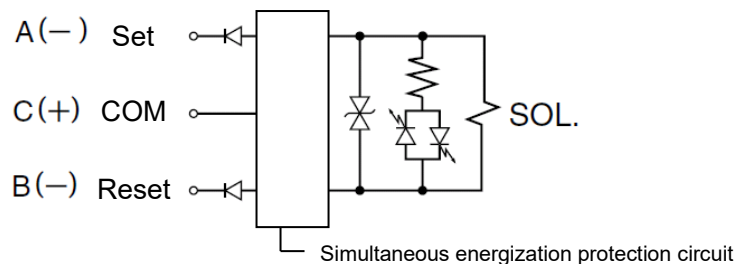
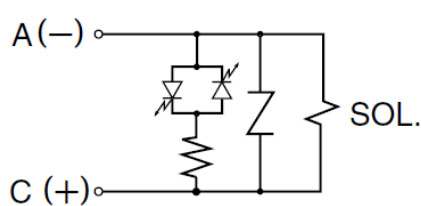
#### ■ Light and Surge Voltage Suppressor

In the latching type, the set side and the reset side energization are indicated by two colors - orange and green.

□ The dotted lines indicate the latching and large flow type.



#### Single type (N.C.)



Note 1 ) Latching type only

Note 2 ) NC type has polarity. ON: The orange light turns ON.

Note 3 ) Set side energization: orange light turns ON, Reset side energization: green light turns ON, with miswiring prevention ( stop diode ) mechanism.

With surge and voltage suppressor (ZNR/surge absorption diode )

Note 4 ) Energization on A ( set ) side generates vacuum and energization on B ( reset ) side stops generation of vacuum.

## ■ How to Operate the Supply Valve of the Latching Type

Latching type refers to a solenoid with self holding mechanism. It has a construction whereby the moving armature in the solenoid holds the set position and the reset position during momentary energizing (10ms or longer). Therefore, continuous energizing is not necessary.

<<Cautions for latching type>>

1. Use in a circuit in which set and reset signals are not energized simultaneously.
2. Minimum necessary energizing time for self holding is 10 ms.
3. There is no problem as long as the product is used normally in an ordinary operating location. If the product is used in an environment where vibration larger than  $30\text{m/s}^2$  or strong magnetic field is present, consult with SMC.
4. Although this supply valve holds reset position (vacuum stopped) when shipped, it may move to set position due to impact during transportation or valve mounting. Confirm the original position before use, by supplying power or by manual operation.

Latching	Operation	Indicator light
A-C ON (Set)	Generates vacuum	Orange
B-C ON (Reset)	Stops generation of vacuum	Green

N.C.	Operation	Indicator light
A-C ON (Set)	Generates vacuum	Orange
OFF	Stops generation of vacuum	—

If the supply valve is latching type, continuous energization is not necessary because it maintains the switching position with momentary energization for at least 10 msec. Depending on the conditions, continuous energizing may cause operation failure such as ON operation failure due to operation voltage increase due to coil temperature rise.

When continuous energizing is necessary, the energizing time shall be 10 minutes or shorter. Before the next operation, the solenoid shall be de-energized (both A side and B side OFF) for longer than the energized time. (Duty ratio shall be 50% or less.)

## ■ Do NOT energize the solenoid valve for a long time.

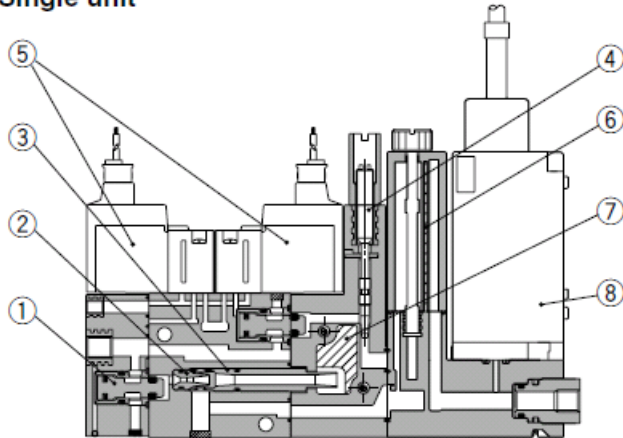
If a solenoid valve is continuously energized for an extended period of time, heat generated by the coil may result in reduced performance or have adverse effects on peripheral equipment. If the total energizing time per day is expected to be longer than the total de-energizing time per day, a latching type solenoid valve can be used so that the energization time can be reduced. However, do not energize to the coils on both the A and B sides at the same time when using the latching type.

The solenoid valve should not be energized continuously for longer than 10 minutes, and the energizing time in one day should be shorter than the non-energizing time. (The duty ratio should be 50% at maximum.) When the valve is mounted onto a control panel, take measures against radiation in order to keep the valve temperature within the specified range. In particular, if three or more adjacent stations on the manifold are energized together for extended periods of time, special care should be given to a larger temperature rise.

# Construction

## Ejector system

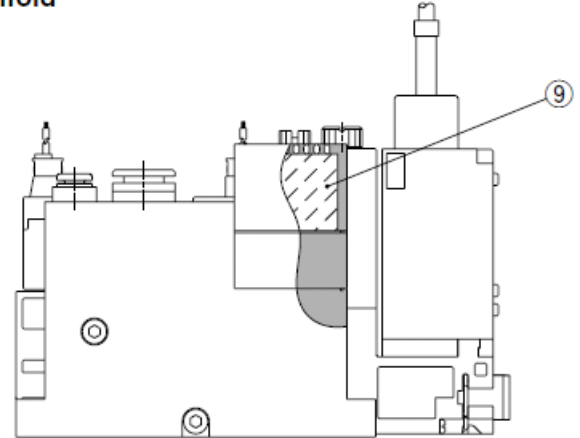
### Single unit



### Component Parts

No.	Description	Material
1	Poppet valve assembly	—
2	Nozzle	Resin
3	Diffuser	Resin
4	Vacuum release flow adjustment needle	Aluminum alloy

### Manifold

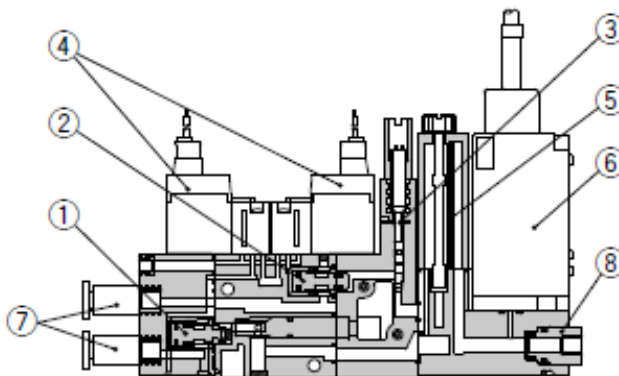


### Replacement Parts

No.	Description	Material	Part no.
5	Solenoid valve	—	
6	Filter element	PVA sponge	XT534-5-001-AS
7	Sound absorbing material 1 (single unit)	PVA sponge	ZQ-SAE
8	Vacuum pressure switch	—	
9	Sound absorbing material 2 (manifold)	PVA sponge	ZZQ-SAE

B

## Pump system



### Component Parts

No.	Description	Material
1	Poppet valve assembly for supply valve	—
2	Poppet valve assembly for vacuum release valve	—
3	Vacuum release flow adjusting needle	Aluminum alloy

### Replacement Parts

No.	Description	Material	Part no.
4	Solenoid valve	—	
5	Filter element	PVA sponge	XT534-5-001-AS
6	Vacuum pressure switch	—	
7	Fitting	—	

B



## Maintenance and Inspection

- Check and perform the following maintenance in order to use the ejector and the vacuum system safely and in an appropriate way.
  1. Maintenance should be performed according to the procedure indicated in the Operation Manual. Improper maintenance can cause damage and malfunction of equipment and machinery.
  2. Maintenance work  
Compressed air can be dangerous when handled incorrectly. Therefore, in addition to observing the product specifications, replacement of elements and other maintenance activities should be performed by personnel with sufficient knowledge and experience pertaining to pneumatic equipment.
  3. Draining  
Remove condensate from air filters and mist separators regularly. If the collected drainage is drained to the downstream side, it can stick inside of the product, causing operation failure and failure to reach the desired vacuum pressure.
  4. Replace the filter element built into the ejector and the silencer regularly.  
(Refer to the replacement procedure below.)  
It is recommended to replace the filter element and the silencer when the pressure drop reaches 5kPa as a guideline, although the replacement cycle varies depending on the operating conditions, operating environment and supply air quality.  
However, if there is a vacuum pressure drop and/or delay in the vacuum suction response time which causes problem with the settings during operation, stop the operation of the product and replace the element regardless of the above mentioned replacement guideline.
  5. Operation in an environment where there is a lot of dust in the air  
The processing capacity of the filter element built in to the product may be insufficient. It is recommended to use SMC's air suction filter (ZFA, ZFB, ZFC series) in order to avoid problems.
  6. Check before and after the maintenance work  
When the product is to be removed, turn off the power supply, and be sure to cut off the supply pressure and exhaust the compressed air. Confirm that the air is released to atmosphere.  
When mounting the product after the maintenance work, supply product with compressed air and power, checking for any leakages and that the product functions properly
  7. Do not disassemble or modify the product, other than the replacement parts specified in this manual.

### ■ Spare Part List

Description	Product number	Remarks
Solenoid valve	VQ110-□□□	N.C.(1W)
	VQ110Y-□□□	NC low wattage type (0.5W)
	VQ110(L,N)-□□□	Latching type
	ZQ1-VQ120□□□	N.O.
Filter element [For suction filter]	XT534-5-001-AS	Filtration rating: 30μm Material: PVA sponge
Sound absorbing material 1 (single unit)	ZQ-SAE	Material: PVA sponge
Sound absorbing material 2 (manifold)	ZZQ-SAE	Material: PVA sponge
Vacuum pressure switch	ZQ1-ZS□□□□-□A	
Manifold base Assembly	ZZQ1□-□□□	

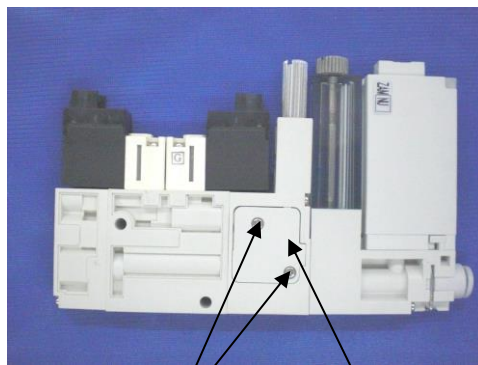
B

■ How to replace the Silencer  
(Vacuum ejector system only)

Single unit type

1. Loosen the round head combination screws (2 pcs) to remove the silencer plate.  
(Figure 1.)

Fig. 1



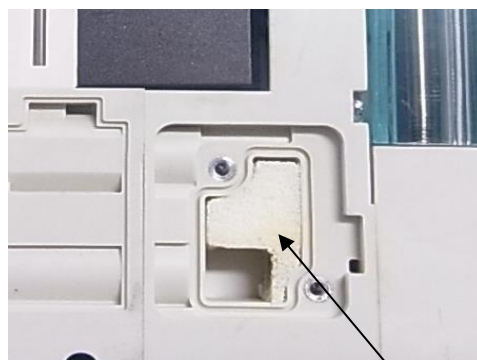
Round head combination screw

Silencer sub-plate

2. Replace the sound absorbing material (ZQ-SAE).  
(Figure 2)

3. Tighten the silencer plate with round head combination screws.  
(Tightening torque:  $0.12 \pm 0.01\text{Nm}$ )

Fig. 2



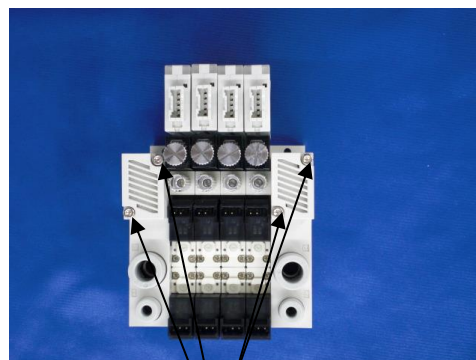
Silencer  
ZQ-SAE

Manifold type

1. Loosen the four hexagon socket head cap screws to remove the two silencer blocks.  
(Figure 3)

2. Replace the sound absorbing material (ZZQ-SAE) in the silencer block.  
(Figure 4)

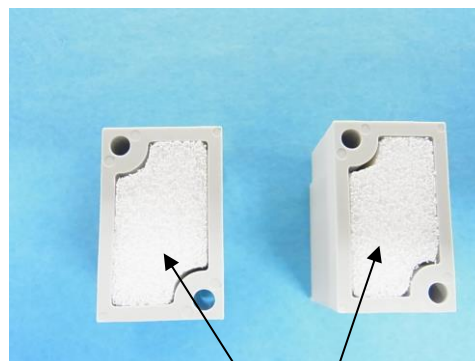
Fig. 3



Hexagon socket head cap screw

3. Tighten the silencer blocks with hexagon socket head cap screws.  
(Tightening torque:  $0.28 \pm 0.03\text{N}\cdot\text{m}$ )

Fig. 4



■ How to replace the suction filter

1. Loosen the tension bolt and remove the filter case.

(Figure 5)

2. Replace the filter element (XT534-5-001-AS) and insert the element back into the guided filter case.

(Figure 6)

3. To position the filter case insert protrusions (2pcs.) into the body securely and fix it in place by tightening tension bolt.

(Figure 7)

Note ) Confirm O-ring and gasket are mounted into mating grooves before tightening tension bolts.

Fig. 5

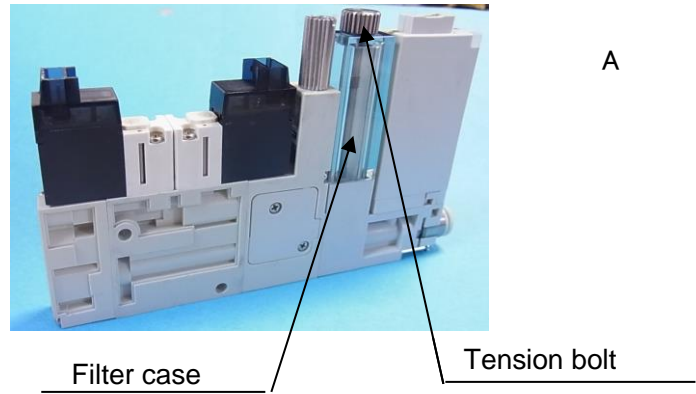


Fig. 6

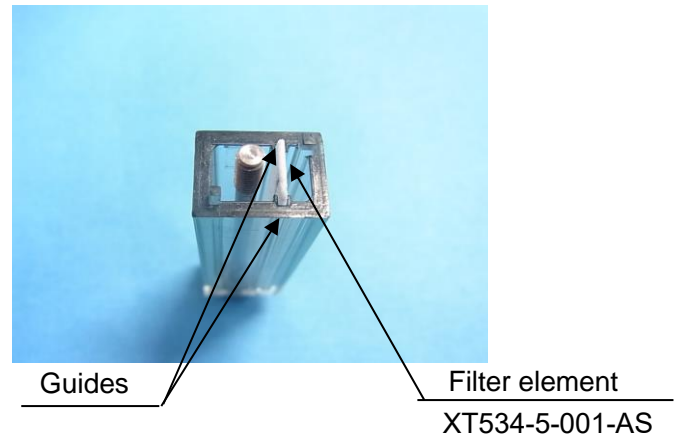
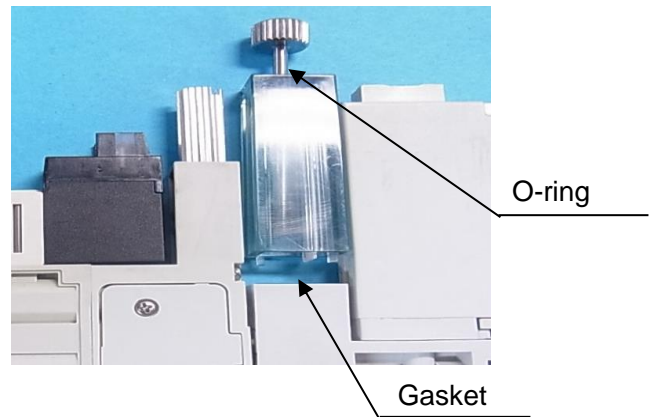


Fig. 7





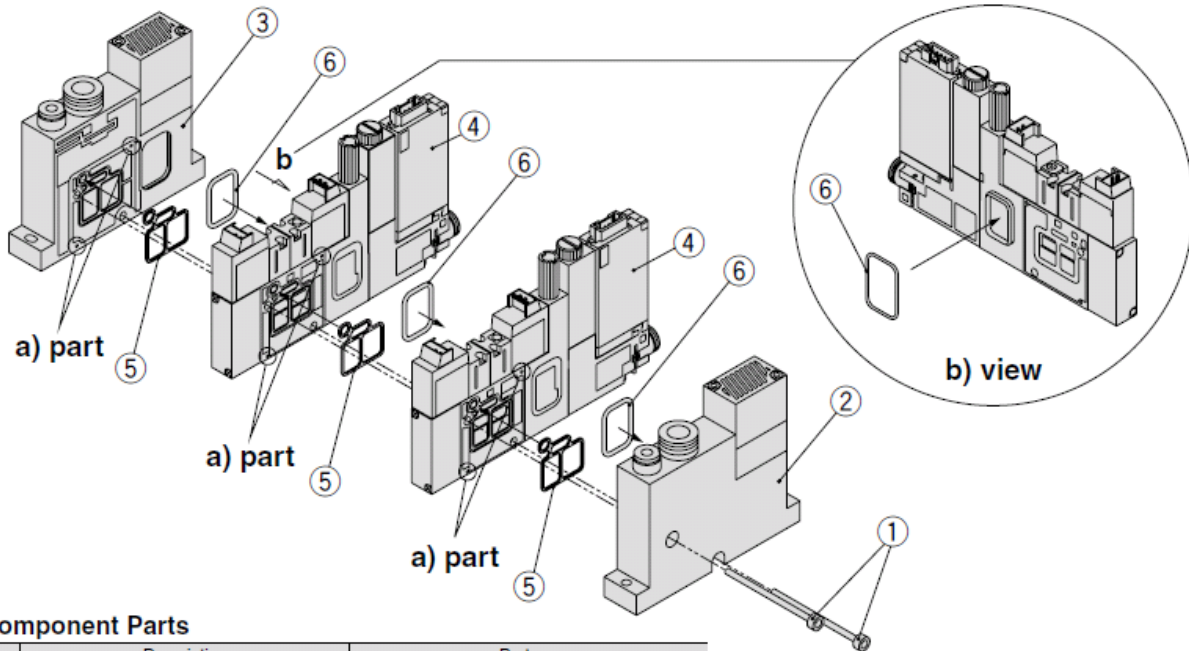


# Manifold Products

## Increasing and Decreasing the Number of Manifold Stations

### ■Ejector

### System



#### Component Parts

No.	Description	Part no.
1	Hexagon socket head cap screw	Refer to "How to Order" below.
2	End block L	Refer to "Table (1)" (including 1 pc. of ⑥).
3	End block R	Refer to "Table (1)" (including 1 pc. of ⑤).
4	Ejector assembly	ZQ1□□3M-□□□□□□□□□□□□ (-Q) <sup>Note 1)</sup> (1 pc. each in ⑤ and ⑥ is included.)
5	Ejector body gasket for manifold	ZQ-3-005-10AS <sup>Note 2)</sup>
6	Exhaust block gasket	ZQ-3-009-10AS <sup>Note 2)</sup>

Note 1) Refer to pages 1 and 2 for detailed description of "How to Order".  
 Note 2) 10 pcs. are included in one set.

Table (1)

Description	With PD port	Without PD port
End block L	ZQ1L-2-BSB-AS	ZQ1L-1-BSB-AS
End block R	ZQ1R-2-BSB-AS	ZQ1R-1-BSB-AS

## Working Procedure

### Disassembly

Loosen and remove the clamp rod ①.

### Assembly

1. Install the ejector body gasket for manifold ⑤ into the gasket groove of each ejector assembly ④. Install the exhaust block gasket ⑥ around the projected part.
2. Install the exhaust block gasket ⑥ around the projected part of the end block L ②.
3. Install the ejector body gasket for manifold ⑤ into the gasket groove of the end block R ③.
4. Align the ejector assemblies ④, end block (L) ②, and end block (R) ③ using positioning pins (at the two "a" positions) and fasten with clamp rods ① (2 pcs.) (with a tightening torque of 0.6 N·m ± 0.06 N·m).

### How to Order Hexagon Socket Head Cap Screw

**ZQ-STB 05**

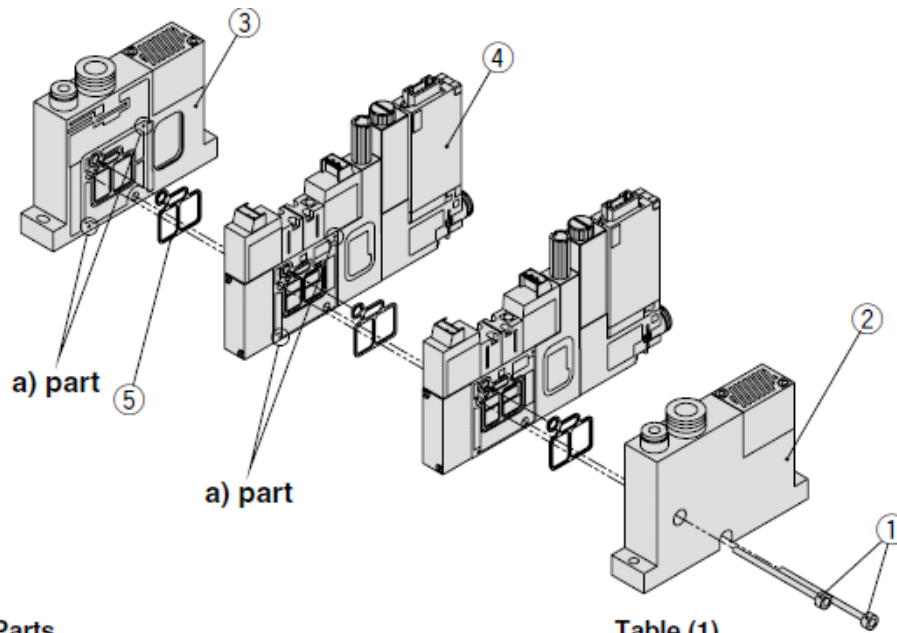
● Number of stations

01	1 station
02	2 stations
⋮	⋮
08	8 stations

Note) 2 pcs. are included in one set.

## Increasing and Decreasing the Number of Manifold Stations

### ■ Pump system



#### Component Parts

No.	Description	Part no.
1	Hexagon socket head cap screw	Refer to "How to Order" below.
2	End block L	Refer to "Table (1)".
3	End block R	Refer to "Table (2)" (Including 1 pc. of ⑤).
4	Vacuum pump system assembly	ZQ1000M-□□□□□□□□□□□□□□□□□□ (-Q) <sup>Note 1)</sup> (Including 1 pc. of ⑤).
5	Ejector body gasket for manifold	ZQ-3-005-10AS <sup>Note 2)</sup>

Note 1) Refer to pages 15 and 16 for detailed description of "How to Order".  
 Note 2) 10 pcs. are included in one set.

Table (1)

PV port location when the V port is viewed in front	PD port specification	
	Without PD port	With PD port
<b>Right side</b>	ZQ1L-0-SOC	ZQ1L-0-SOB
<b>Left side</b>	ZQ1L-0-VOC	ZQ1L-0-VOB

Table (2)

PV port location when the V port is viewed in front	PD port specification	
	Without PD port	With PD port
<b>Right side</b>	ZQ1R-V0B	ZQ1R-V0C
<b>Left side</b>	ZQ1R-S0B	ZQ1R-S0C

## Working Procedure

### Disassembly

Loosen and remove the clamp rod ①.

### Assembly

1. Install the ejector body gasket for manifold ⑤ into the gasket groove of each vacuum pump system assembly ④.
2. Install the ejector body gasket for manifold ⑤ into the gasket groove of the end block R ②.
3. Align the ejector assemblies ④, end block (L) ②, and end block (R) ③ using positioning pins (at the two "a" positions) and fasten with clamp rods ① (2 pcs.) (with a tightening torque of 0.6 N•m ± 0.06 N•m).

### How to Order Hexagon Socket Head Cap Screw

**ZQ-STB 05**

● Number of stations

01	1 station
02	2 stations
⋮	⋮
08	8 stations

Note) 2 pcs. are included in one set.

## Exhaust from Ejector

- Avoid back pressure being applied to the exhaust air of the ejector.

The exhaust resistance should be as small as possible to obtain the full ejector performance.

There should be no shield around the exhaust port for the silencer exhaust specification. For the port exhaust specification, the back pressure increase should be 0.005MPa (5kPa) at maximum, as exhaust resistance is generated with some piping bore sizes and piping lengths.

For the silencer exhaust specification, the silencer will gradually get clogged if dust in the operating environment is sucked in or if the supply air is not clean enough. If the silencer is clogged, back pressure is applied to the ejector exhaust which results in a reduction in the vacuum pressure and the suction flow rate.

It is recommended to replace the silencer with a new one when the vacuum pressure of the ejector decreases or a delay in response time is generated.

## Specifications

### Ejector

Model	ZQ105	ZQ107	ZQ110
Nozzle nominal diameter (mm)	0.5	0.7	1.0
Maximum suction flow (ℓ/min (ANR))	5	10	22
Air consumption (ℓ/min (ANR))	15	25	47
Maximum vacuum pressure	-80 kPa		
Supply pressure range	0.3 to 0.5 MPa (Normally open: 0.3 to 0.45 MPa)		
Supply pressure <sup>Note)</sup>	0.35 MPa	0.43 MPa	
Operating temperature range	5 to 50°C		
Fluid	Air / Inert gas		

Note) Maximum suction flow can be obtained by standard supply pressure.

### Supply Valve / Vacuum Release Valve

Type	Normally closed		Latching type	Normally open
	Standard (1 W)	Low wattage type (0.5 W)		
Model (Refer to "How to Order" for solenoid valves on page 6.)	VQ110-□	VQ110Y-□	VQ110 <sub>N</sub> -□	ZQ1-VQ120-□
Manual override	Non-locking push type / Locking type (Tool type)		Push-locking type	Non-locking push type / Locking type (Tool type)
Rated coil voltage	12, 24 VDC, 100, 110, 200, 220 VAC	12, 24 VDC	12, 24 VDC, 100, 110, 200, 220 VAC	12, 24 VDC
Power consumption (current value)	DC	1 W	1 W	
	100 VAC	0.5 VA (5 mA)	0.6 VA (6 mA)	
	110 VAC	0.55 VA (5 mA)	0.65 VA (5.9 mA)	
	200 VAC	1.0 VA (5 mA)	1.2 VA (6 mA)	
	220 VAC	1.1 VA (5 mA)	1.3 VA (5.9 mA)	
Electrical entry	Grommet		L-type plug connector	Grommet
	L-type plug connector (with light/surge voltage suppressor)		( with light/surge voltage suppressor )	L-type plug connector ( with light/surge voltage suppressor )

## Vacuum Pressure Switch

Model		ZQ1-ZSE (ZSE10)	ZQ1-ZSF (ZSE10F)
Rated pressure range		0 to -101 kPa	-100 to 100 kPa
Set pressure range/Display pressure range		10 to -105 kPa	-105 to 105 kPa
Withstand pressure		500 kPa	
Minimum setting unit		0.1 kPa	
Power supply voltage		12 to 24 VDC $\pm 10\%$ , Ripple (p-p) 10% or less (with power supply polarity protection)	
Current consumption		40 mA or less	
Switch output		NPN or PNP open collector: 2 outputs (selectable)	
	Maximum load current	80 mA	
	Maximum applied voltage	28 V (with NPN output)	
	Residual voltage	2 V or less (with load current of 80 mA)	
	Response time	2.5 ms or less (Response time selections with anti-chattering function: 20, 100, 500, 1000 and 2000 ms)	
	Short circuit protection	With short-circuit protection	
Repeatability		$\pm 0.2\%$ F.S. $\pm 1$ digit	
Hysteresis	Hysteresis mode	Variable (0 or above) <sup>Note 1)</sup>	
	Window comparator mode		
Analog output	Voltage output	Output voltage (rated pressure range)	1 to 5 V $\pm 2.5\%$ F.S.
		Linearity	$\pm 1\%$ F.S. or less
		Output impedance	Approx. 1 k $\Omega$
Display system		3 1/2-digit, 7 segment LED 1-color display (Red)	
Display accuracy		$\pm 2\%$ F.S. $\pm 1$ digit (at ambient temperature of 25 $\pm 3^\circ\text{C}$ )	
Operation indicator light		Lights when ON, OUT1: Green, OUT2: Red	
Environmental resistance	Enclosure		IP40
	Ambient humidity range		Operating/Stored: 35 to 85% RH (with no condensation)
	Withstand voltage		1000 VAC for 1 min. between live parts and case
	Insulation resistance		50 M $\Omega$ or more (at 500 VDC) between live parts and case
	Vibration resistance		10 to 150 Hz at the smaller of amplitude 1.5 mm or acceleration 20 m/s <sup>2</sup> in X, Y, Z directions for 2 hrs. each (De-energized)
	Impact resistance		100 m/s <sup>2</sup> in X, Y, Z directions 3 times each (De-energized)
Temperature characteristics		$\pm 2\%$ F.S. (at 25 $^\circ\text{C}$ of ambient temperature range between -5 and 50 $^\circ\text{C}$ )	
Lead wires		Oil-resistant cabtire cord Cross section: 0.15 mm <sup>2</sup> (AWG26), 5 cores, 2 m, Conductor O.D.: 1.0 mm	

Note 1) If the applied voltage fluctuates around the set-value, the hysteresis must be set to a value more than the fluctuating width, otherwise chattering will occur.

Note 2) For others, refer to ejector specifications on page 4.









## Mass

### ■Ejector System

Single unit	With suction filter <sup>Note 1)</sup>	95 g
	With vacuum pressure switch and suction filter <sup>Note 2)</sup>	109 g
End plate assembly for manifold		122 g

Note 1) Including a 0.3 m connector for supply valve and vacuum release valve.

Note 2) Including a 0.3 m connector for supply valve and vacuum release valve and a 2 m connector for vacuum pressure switch.

#### ◎ Calculation of weight for the manifold type

(Single unit weight) x (Number of stations) + (Weight of end plate assembly for manifold)

Example) Vacuum pressure switch + 8 stations with suction filter

$$109 \text{ g} \times 8 + 122 \text{ g} = 994 \text{ g}$$

### ■Pump system

Single unit	With suction filter <sup>Note 1)</sup>	95 g
	With vacuum pressure switch and suction filter <sup>Note 2)</sup>	109 g
End plate assembly for manifold		122 g

Note 1) Including a 0.3 m connector for supply valve and vacuum release valve.

Note 2) Including a 0.3 m connector for supply valve and vacuum release valve and a 2 m connector for vacuum pressure switch.

#### ◎ Calculation of weight for the manifold type

(Single unit weight) x (Number of stations) +  
(Weight of end plate assembly for manifold)

Example) Vacuum pressure switch + 8 stations with suction filter

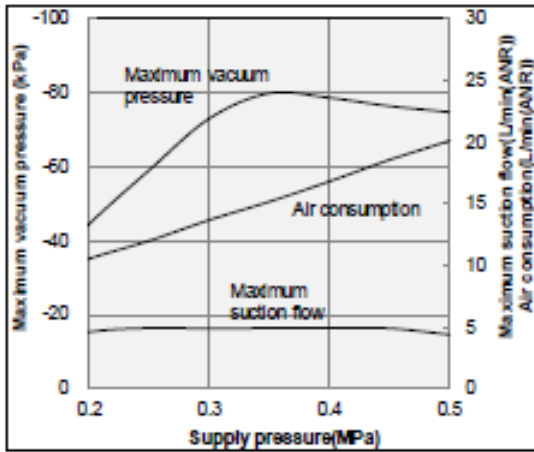
$$109 \text{ g} \times 8 + 122 \text{ g} = 994 \text{ g}$$

# Exhaust Characteristics and Flow Characteristics of Ejector

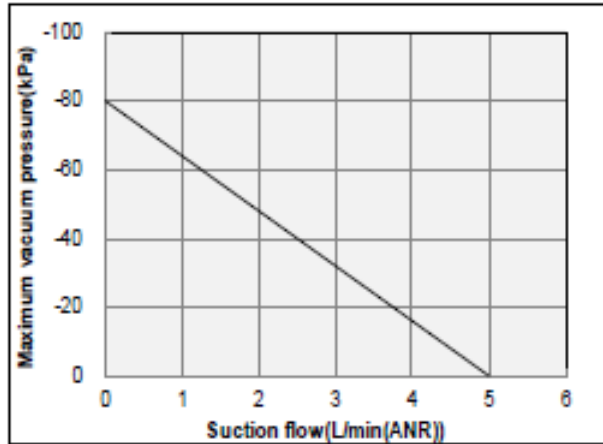
C

## Flow/Exhaust Characteristics

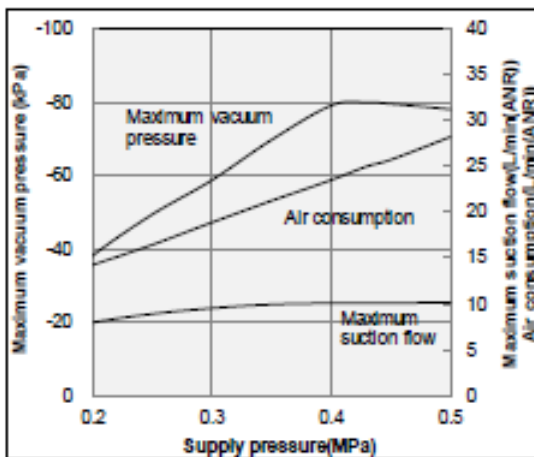
ZQ105/Exhaust Characteristics



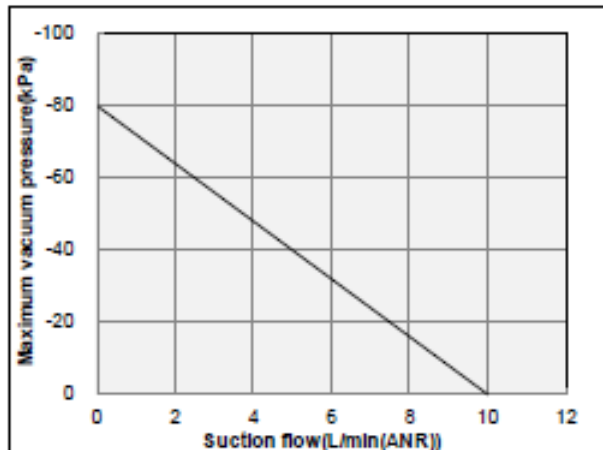
ZQ105/Flow Characteristics Supply pressure  
0.35MPa



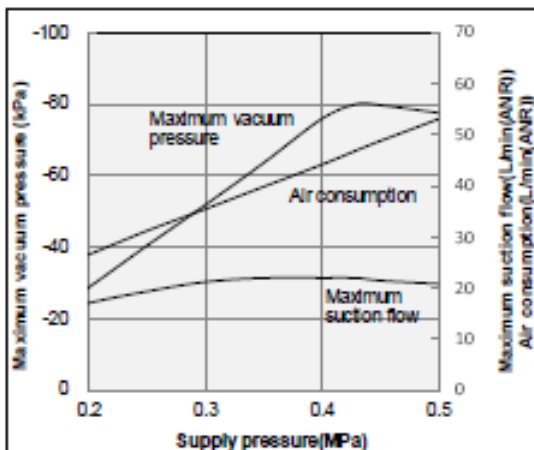
ZQ107/Exhaust Characteristics



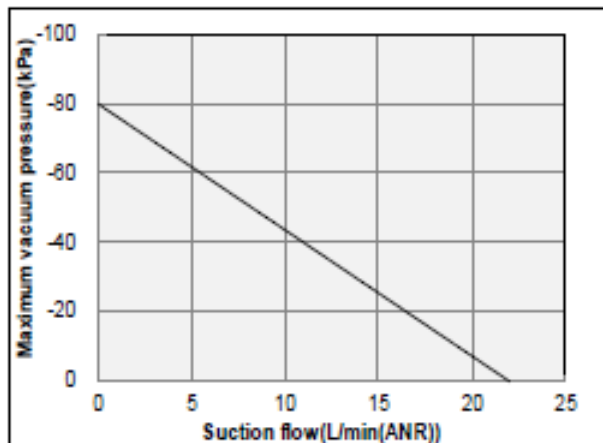
ZQ107/Flow Characteristics Supply pressure  
0.35MPa



ZQ110/Exhaust Characteristics



ZQ110/Flow Characteristics Supply pressure  
0.43MPa

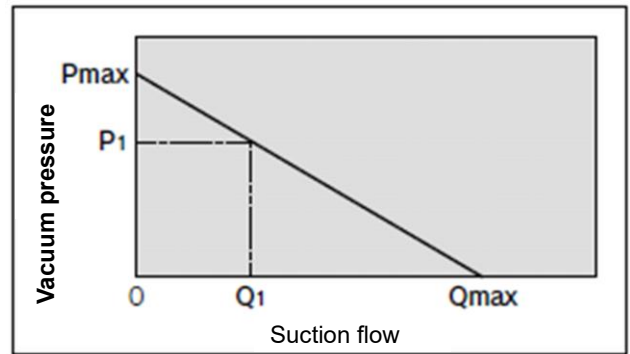


## Flow Characteristics Curve

### ■ How to Read the Flow Characteristics Curves of Ejector/Vacuum Pump System

The flow characteristics curve shows the relationship between the vacuum pressure and the suction flow of the ejector/vacuum pump system. It shows that the vacuum pressure changes when the suction flow changes. Generally, the curve shows the relationship at the standard supply pressure of the ejector.

In the graph on the right,  $P_{max}$  means the maximum vacuum pressure and  $Q_{max}$  means the maximum suction flow.



The value shown in this graph is what is shown in this operation manual and the catalogs as the specifications.

The change of vacuum pressure is explained in sequence as follows.

1. When the vacuum port (V) is closed, the suction flow will be "0" and the vacuum pressure will reach its maximum ( $P_{max}$ ).
2. When the vacuum port (V) is opened gradually, air will flow. (If there is bleeding air, the suction flow will increase, but the vacuum pressure will decrease.): [State of  $P1 - Q1$ ]
3. V If the vacuum port (V) is opened fully, the suction flow will reach its maximum ( $Q_{max}$ ), but the vacuum pressure will become almost "0" (atmospheric pressure).

As described above, the vacuum pressure changes when the suction flow changes.

Converting this to the adsorption state of the workpiece, the vacuum pressure reaches its maximum when the pad and the piping on the vacuum port (V) have no leakage. Vacuum pressure decreases when there is a lot of leakage when adsorbing a workpiece. When the amount of leakage and the maximum suction flow are equal, the vacuum pressure becomes almost "0", and it fails to adsorb the workpiece.

Vacuum pressure will not increase if the product is used for adsorption of permeable workpieces or when there is leakage. In such a case, sufficient verification and prior tests are required.

## Pressure Sensor Assembly

### ■ Handling Precautions

1. Do not drop, hit or apply excessive shock ( $100m/s^2$ ) to the product. The inner parts can be damaged leading to malfunction even if the sensor body is not damaged.
2. The tensile strength of the lead wire with connector is 35N. Exceeding this value can cause breakage. Be sure to hold the body when handling.
3. Avoid repeatedly bending or stretching the lead wire with connector. The lead wire may break if it is wired so that such force acts on it. If the lead wire can move, fix it near the body of the product. The recommended bending radius is 40mm or more. Contact SMC for more details if required.

## ■ Connection

1. Incorrect wiring can damage the switch and cause malfunction. Connections should be done while the power supply is turned off.
2. Do not attempt to insert or pull out the connector from the pressure switch while the power is on. This may cause switch output malfunction.
3. Malfunctions stemming from noise may occur if the wire is installed in the same route as that of power or high-voltage cable. Wire the pressure switch independently.
4. Be sure to connect the ground terminal F.G. to ground when using a commercially available switch-mode power supply.

## ■ Operating Environment

The use of resin piping can cause static electricity to be generated, depending on the fluid. Therefore, when connecting the vacuum pressure switch assembly, take appropriate measures against static electricity at the customer's equipment side, and separate the grounding for the product from the grounding for any equipment which generates a strong electromagnetic noise or high frequency.

Otherwise, static electricity can break the vacuum pressure switch assembly.

Refer to SMC website (URL <http://www.smcworld.com>) for details of the 2-color display high precision digital pressure switch, ZSE30A Series, other than those shown above.

## Troubleshooting

### ■ Countermeasures for ejector/vacuum pump system problems and troubleshooting

Trouble	Cause	Countermeasures
Initial adsorption failure (It fails to adsorb during the trial run.)	The adsorption area is too small; the adsorption force is not strong enough compared with the weight of the workpiece and the force applied during transfer.	Increase the lifting force. → Increase the pad diameter → Increase the number of pads.
	Vacuum pressure is too small, due to leakage at the adsorption part or generation of a space between the pad and the workpiece due to deformation of the workpiece.	Reduce the vacuum leakage (by increasing the vacuum pressure). → Change the pad configuration. Increase the adsorption area. → Change the pad material (e.g. to a material that fits the uneven surface). → If the workpiece is thin, change to a suitable pad.
	Vacuum pressure is too small, due to leakage of vacuum pressure due to permeability of the workpiece.	Check the vacuum pressure and the suction flow. → Change to an ejector with larger suction flow.
	Vacuum pressure is too small due to leakage from the vacuum piping.	→ Repair vacuum piping.
	Suction flow is too small. (Ejector performance is not high enough.)	→ Change to an ejector with larger suction flow.
	Suction flow is too small because the piping diameter is too small and the length is too long, causing restriction of the sucking flow of the ejector.	→ Increase the piping diameter and length on the vacuum side.
	Vacuum pressure and/ or suction flow are too small, making the supply pressure to the ejector insufficient.	→ Measure the supply pressure when the vacuum is generated, and increase the supply pressure to the standard supply pressure. Improve the line if the flow is insufficient. Especially when more than one product is operated at the same time in a manifold, the supply air can be insufficient, causing decrease of the supply pressure.
	Vacuum pressure and/or suction flow are too small, due to clogging of the nozzle and the diffuser.	→ Remove foreign matter and substances sticking to it. (Needs to be repaired.) Perform flushing and mount an air filter on the supply side to prevent it happening again.
	Malfunction of supply valve	Measure the supply voltage to the solenoid valve. → Revise the electrical circuit, wiring and connectors. → Use within the rated voltage range.



Trouble	Cause	Countermeasures
Adsorption response is not quick enough.	Internal capacity of the circuit on the vacuum side is too large for the ejector performance.	→ Reduce the internal capacity of the vacuum circuit. → Change to an ejector with larger suction flow.
	The set vacuum pressure for the suction verification is too high, making the time before it reaches the set value longer.	Optimize the lifting force and change the setting to have the suction verification with the vacuum pressure as low as possible.
Fluctuation of vacuum pressure	Supply pressure fluctuates.	Install a tank in the compressed air line on the supply side, and reduce the air consumption of other equipment.
	The generated vacuum pressure fluctuates, making the exhaust noise intermittent at a certain supply pressure range.	This is a phenomenon peculiar to ejectors which is caused when the supply pressure is a little lower than the standard supply pressure. → Increase or decrease the supply pressure a little.
Vacuum failure over time (adsorbs properly initially.)	Vacuum pressure is reduced, due to clogging of the suction filter (due to dust in the environment on the vacuum side, foreign matter on the surface of workpiece, adsorption of humidity, etc.)	→ Replace the filter element with a new one. → Increase the number of suction filters (such as ZFA, ZFB and ZFC)
	Vacuum pressure is reduced, because of the clogging of the silencer (due to foreign matter such as drainage and carbon particles in the supply air).	Clean the supply air. → Control the drainage. → Mount an air filter and a mist separator. → Replace the silencer with a new one.
	Vacuum pressure and/or suction flow is reduced due to clogging of the nozzle and the diffuser.	→ Remove foreign matter and substances sticking to it. (Needs to be repaired.) Mount an air filter on the supply side to prevent it happening again.
	Adsorbing part has some problem, such as deterioration of the vacuum pad, or leakage due to frictional wear.	→ Replace the vacuum pad with a new one. → Revise the adsorption conditions (such as compatibility of the vacuum pressure with the pad/workpiece)

Trouble	Cause	Countermeasures
Vacuum failure over time (adsorbs properly initially.)	The filter case gasket has come off when the filter element was replaced.	Vacuum pressure leaks if the gasket has come off or out of the groove when maintenance of the filter was performed. → Check if it is mounted properly.
	Defective operation caused by energization of solenoid valve for an extended period of time. (Energized for 10 minutes or more or operated with the duty ratio of 50% or more.)	→ Shorten the energization time of the solenoid valve. → Provide forced ventilation in the operating environment in order to prevent temperature increase around the solenoid valve.
Workpiece is not released smoothly.	Vacuum break flow is not large enough.	→ Open the vacuum break flow adjusting needle. → For the specification with individual port for release pressure supply port and air supply port, increase the release pressure at the releaser pressure supply port.
	The vacuum pad surface is worn out, making it sticky.	→ Replace the vacuum pad with a new one. → Revise the material and configuration of the vacuum pad. → Use a special pad which has a blasted adsorption surface. (Made-to-order)
	Vacuum pressure is too high.	→ Decrease the supply pressure to lower the vacuum pressure. → Decrease the pressure in the piping on the vacuum side with a vacuum regulator.
	Workpiece sticks to the pad due to static electricity.	→ Use a conductive pad.
	Vacuum break signal timing is inappropriate .	If the pad is lifted before the workpiece is completely released from the pad, the workpiece is lifted together with the pad due to the viscosity of the pad. → Revise the timing of the vacuum break and the lifting of the pad.

If the countermeasures described in the troubleshooting do not solve the problem, there may be a problem with the product. In that case, stop using the product immediately without disassembling or repairing it. When removing the product from the application, be sure to confirm that the safety measures are functioning, and shut off the compressed air supply and the power supply before removing the product. Follow the items below to prevent the generation of abnormalities in the product.

1. Use voltage within the rated voltage.
2. Do not lubricate the supply air.
3. Do not directly apply liquid such as water on the body.
4. Do not apply a strong impact.
5. Do not mix drain or dust in the supply air.
6. Avoid actions that fall into the precautions mentioned in this Operation Manual.

Revision history

Edition A:  
Product No. of the silencer was corrected.

Edition B:  
Fitting series was changed.  
The material of the nozzle and diffuser was changed.

Edition C:  
Air consumption on page 30 was corrected.  
The graphs of Exhaust Characteristics on page 36 were replaced.

Edition D:  
UKCA marking added

## SMC Corporation

4-14-1, Sotokanda, Chiyoda-ku, Tokyo 101-0021 JAPAN

Tel: + 81 3 5207 8249 Fax: +81 3 5298 5362

URL <https://www.smcworld.com>

---

Note: Specifications are subject to change without prior notice and any obligation on the part of the manufacturer.  
© 2022 SMC Corporation All Rights Reserved