



Operation Manual

PRODUCT NAME

PIROT OPERATED 2 PORT SOLENOID VALVE

MODEL / Series / Product Number

VXZ Series

SMC Corporation

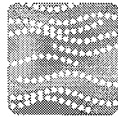
Contents

1. Contents

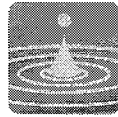
2.Specifications	P1 to 29
3.Glossary of Terms	P30
4.Solenoid Valve Flow-rate Characteristics	P31 to 35
5. Flow-rate Characteristics	P36
6.Specific Product Precautions	P37 to 42
7.Safety Instructions	P43
8.Troubleshooting	P44 to 46

Zero Differential Pressure Type Pilot Operated 2 Port Solenoid Valve

New
CE RoHS



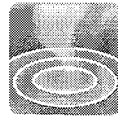
Air



Water



Oil



Heated water



High temperature oil

Compact Height

4% Smaller* (4 mm)

(VXZ24, C37 (Brass) body)

* Comparison with SMC conventional model

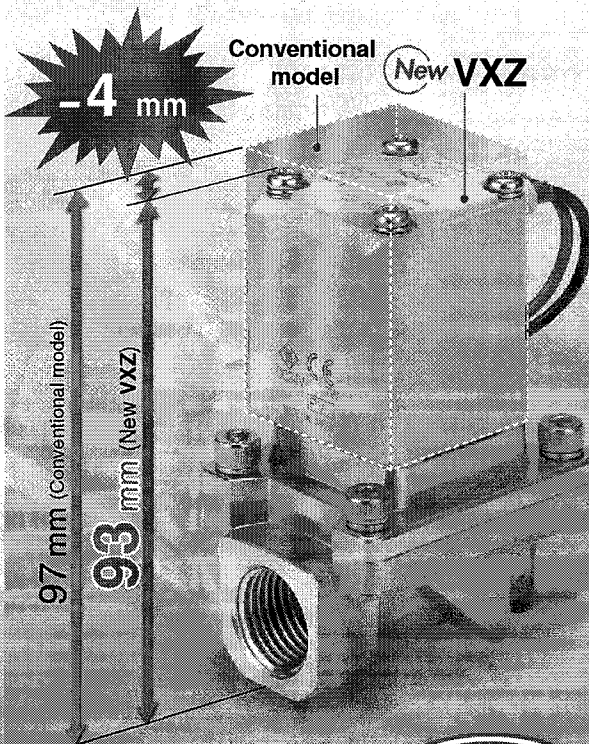
Lightweight Weight

27% Lighter* (150 g)

(VXZ23, Resin body)

- Can be used at 0 m hydraulic head!
- Min. operating pressure differential: 0 MPa (When the valve opens.)

VXZ23



Body material

Aluminum*, Resin* (Built-in One-touch fittings) + VXZ23

Resin body Aluminum body

Bracket Standard equipment

Applicable tubing O.D. ø10, ø12 Metric size ø3/8" Inch size

Body material

C37, Stainless steel (VXZ23 to 26)

C37 (Brass) body Stainless steel body

Enclosure

IP65*

* Electrical entry "Faston" type terminal is IP40.

Valve type

N.C. N.O.

Series VXZ

SMC CAT.ES70-51A

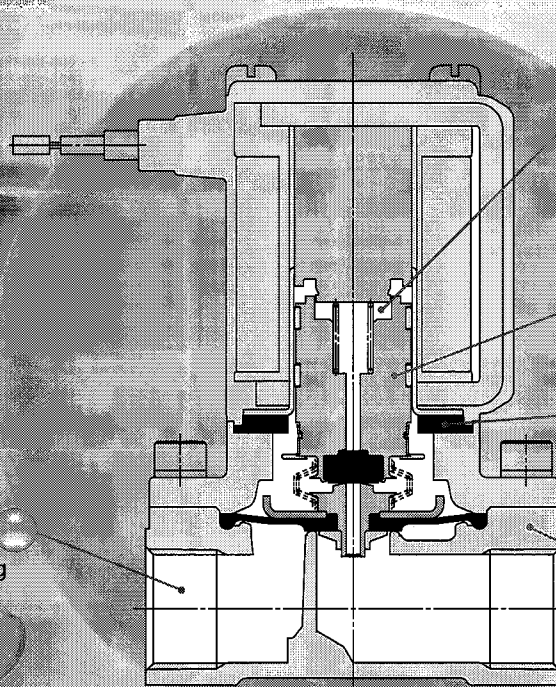
Zero Differential Pressure Type Pilot Operated 2 Port Solenoid Valve *Series VXZ*



Enclosure
IP65

Flame resistance
UL94V-0 conformed

Piping variations
Thread piping, One-touch fitting



Clearance

By providing a bumper and clearance, we reduced the collision sound of the core when ON (when the valve is open). Because of the clearance, when using highly viscous fluids such as oil, the armature does not get stuck and the responsiveness when OFF (when the valve is closed) is improved.

Improved armature durability

Low-noise construction

Metal noise reduced by the rubber bumper

Body material

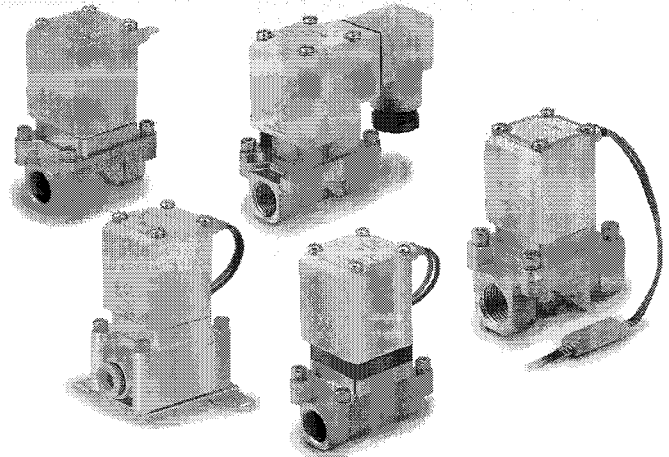
Aluminum, Resin **Air** (VXZ2³_A)

C37, Stainless steel

**Water/
Oil/Air/
Heated water/
High temperature oil**

Built-in full-wave rectifier type (AC specification)

- **Improved durability**
Service life is extended by the special construction. (compared with current AC specification)
- **Reduced buzz noise**
Rectified to DC by the full-wave rectifier, resulting in a buzz noise reduction.
- **Improved OFF response**
Specially constructed to improve the OFF response when operated with a higher viscosity fluid such as oil.
- **Low-noise construction**
Specially constructed to reduce the metal noise during operation.



Variations

<Fluid>

Model	Applicable fluid*				
	Air	Water	Oil	Heated water	High temperature oil
For Air VXZ2□0 P.4	●				
For Water VXZ2□2 P.7	●	●			
For Oil VXZ2□3 P.10	●	●	●		
For Heated water VXZ2□5 P.13	●	●		●	
For High temperature oil VXZ2□6 P.16	●	●	●		●

<Body Size>

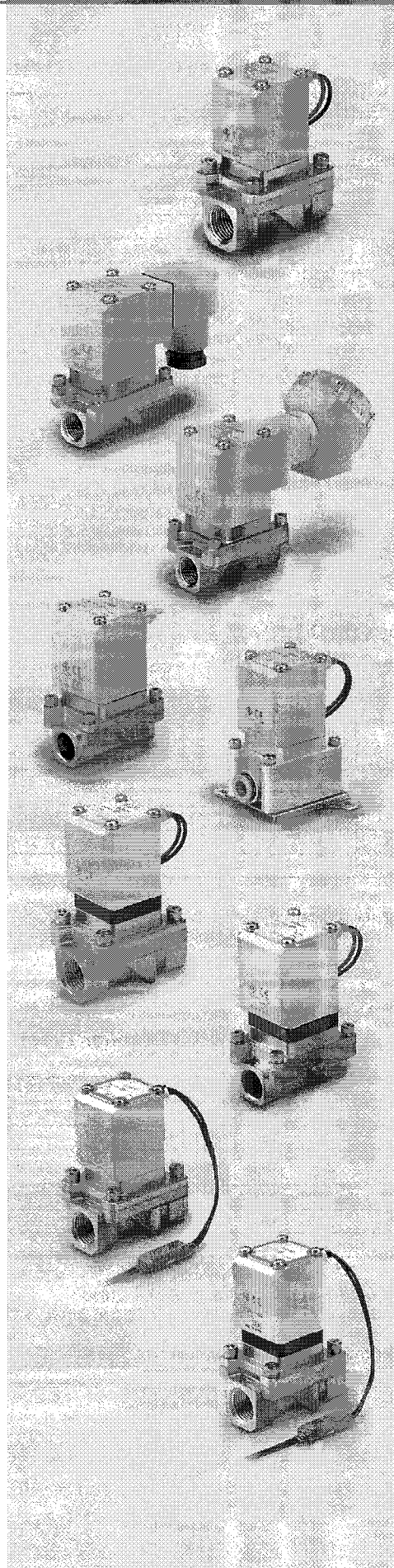
Model	Body size	Orifice diameter mmφ	Port size	Body material	Fluid
VXZ2 ³ _A	10A	10	1/4, 3/8	Aluminum	Air
			ø10, ø12, ø3/8"	Resin	
			1/4, 3/8	C37	Water
VXZ2 ⁴ _B	15A	15	1/2	C37	Air
				Stainless steel	Water
VXZ2 ⁵ _C	20A	20	3/4	C37	Oil
				Stainless steel	Heated water
VXZ2 ⁶ _D	25A	25	1	C37	High temperature oil
				Stainless steel	

* For details, refer to pages 37 and 38.

INDEX

Zero Differential Pressure Type Pilot Operated 2 Port Solenoid Valve

Series **VXZ**



Common Specifications P. 2

Selection Steps P. 3



For Air

Flow-rate Characteristics, Fluid and Ambient Temperature, Valve Leakage P. 4, 5

How to Order P. 6



For Water

Flow-rate Characteristics, Fluid and Ambient Temperature, Valve Leakage P. 7, 8

How to Order P. 9



For Oil

Flow-rate Characteristics, Fluid and Ambient Temperature, Valve Leakage P. 10, 11

How to Order P. 12



For Heated Water

Flow-rate Characteristics, Fluid and Ambient Temperature, Valve Leakage P. 13, 14

How to Order P. 15



For High Temperature Oil

Flow-rate Characteristics, Fluid and Ambient Temperature, Valve Leakage P. 16, 17

How to Order P. 18

Other Special Options P. 20

Construction P. 22

Dimensions

For Air, Water, Oil

Body material: Resin P. 24

Body material: Aluminum, C37, Stainless steel P. 26

For Heated Water, High Temperature Oil

Body material: C37, Stainless steel P. 28

Replacement Parts P. 29

Glossary of Terms P. 30

Solenoid Valve Flow-rate Characteristics P. 31

Flow-rate Characteristics P. 36

Specific Product Precautions P. 37

Safety Instructions Back cover

Specifications

For Air

For Water

For Oil

For Heated Water

For High Temperature Oil

Options

Construction

Dimensions

Series VXZ

Common Specifications

Standard Specifications

Valve specifications	Valve construction		Zero differential pressure type pilot operated 2 port diaphragm type
	Withstand pressure		2.0 MPa (Resin body type 1.5 MPa)
	Body material		Aluminum, Resin, C37 (Brass), Stainless steel ^{Note 1)}
	Seal material		NBR, FKM, EPDM
	Enclosure		Dust-tight, Water-jet-proof type (equivalent to IP65) ^{Note 2)}
	Environment		Location without corrosive or explosive gases
Coil specifications	Rated voltage	AC	100 VAC, 200 VAC, 110 VAC, 230 VAC, (220 VAC, 240 VAC, 48 VAC, 24 VAC) ^{Note 3)}
		DC	24 VDC, (12 VDC) ^{Note 3)}
	Allowable voltage fluctuation		±10% of rated voltage
	Allowable leakage voltage	AC (Built-in full-wave rectifier type)	10% or less of rated voltage
		DC	2% or less of rated voltage
	Coil insulation type		Class B (for air, water, oil), Class H (for heated water, high temperature oil)

Note 1) Body material is aluminum. Resin body is available only for the VXZ2³.

Note 2) Electrical entry "Faston" type terminal is IP40.

Note 3) Voltage in () indicates special voltage. (Refer to page 20.)

⚠ Be sure to read "Specific Product Precautions" before handling.

⚠ When pressure differential is less than 0.01 MPa, operation may become unstable. Please contact SMC in case of low flow operation. (Refer to page 23.)

Solenoid Coil Specifications

Normally Closed (N.C.)

DC Specification

Class B

Model	Power consumption (W) ^{Note 1)}	Temperature rise (°C) ^{Note 2)}
VXZ23, 24	7	55
VXZ25, 26	10.5	65

Class H

Model	Power consumption (W) ^{Note 1)}	Temperature rise (°C) ^{Note 2)}
VXZ23, 24	12	100
VXZ25, 26	15	100

Normally Open (N.O.)

DC Specification

Class B

Model	Power consumption (W) ^{Note 1)}	Temperature rise (°C) ^{Note 2)}
VXZ2A, 2B	8.5	70
VXZ2C, 2D	12.5	70

Class H

Model	Power consumption (W) ^{Note 1)}	Temperature rise (°C) ^{Note 2)}
VXZ2A, 2B	12	100
VXZ2C, 2D	15	100

Note 1) Power consumption, Apparent power: The value at ambient temperature of 20°C and when the rated voltage is applied. (Variation: ±10%)

Note 2) The value at ambient temperature of 20°C and when the rated voltage is applied. The value depends on the ambient environment. This is for reference.

Normally Closed (N.C.)

AC Specification (Built-in Full-wave Rectifier Type)

Class B

Model	Apparent power (VA) ^{Note 1) 2)}	Temperature rise (°C) ^{Note 3)}
VXZ23, 24	9.5	70
VXZ25, 26	12	70

Class H

Model	Apparent power (VA) ^{Note 1) 2)}	Temperature rise (°C) ^{Note 3)}
VXZ23, 24	12	100
VXZ25, 26	15	100

Normally Open (N.O.)

AC Specification (Built-in Full-wave Rectifier Type)

Class B

Model	Apparent power (VA) ^{Note 1) 2)}	Temperature rise (°C) ^{Note 3)}
VXZ2A, 2B	10	70
VXZ2C, 2D	14	70

Class H

Model	Apparent power (VA) ^{Note 1) 2)}	Temperature rise (°C) ^{Note 3)}
VXZ2A, 2B	12	100
VXZ2C, 2D	15	100

Note 1) Power consumption, Apparent power: The value at ambient temperature of 20°C and when the rated voltage is applied. (Variation: ±10%)






Note 2) There is no difference in the frequency and the inrush and energized apparent power, since a rectifying circuit is used in the AC (Built-in full-wave rectifier type).

Note 3) The value at ambient temperature of 20°C and when the rated voltage is applied. The value depends on the ambient environment. This is for reference.

Series VXZ Selection Steps

Selection Steps

Step 1 Select the fluid.

Item	Selection item	Page	Symbol
Select the fluid.	Air 	Page 4	0
	Water 	Page 7	2
	Oil 	Page 10	3
	Heated water 	Page 13	5
	High temperature oil 	Page 16	6

VXZ2 3 0 A A

Step 2 Select "Body material", "Port size" and "Orifice diameter" from "Flow rate — Pressure" of each fluid.

Item	Selection item	Symbol
Select from "Flow rate — Pressure." • Body material • Port size • Orifice diameter	Body size, Valve 10A, N.C.	3
	Body material Aluminum	A
	Port size 1/8	A
	Orifice diameter 10	A

VXZ2 3 0 A A

Step 3 Select electrical specification.

Item	Selection item	Symbol
Select electrical specification.	Voltage 24 VDC	A
	Electrical entry Grommet	A

VXZ2 3 0 A A

Step 4 For other special options, refer to pages 20 and 21.

Specifications

For Air

For Water

For Oil

For Heated Water

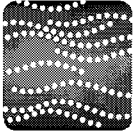
For High Temperature Oil

Options

Construction

Dimensions

Series VXZ



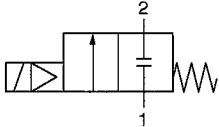
For Air

* Can be used with low vacuum (up to 133 Pa.abs).

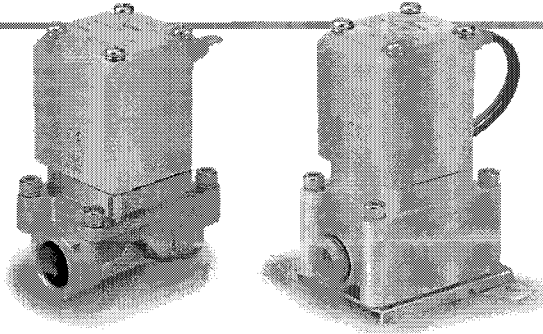
Flow-rate Characteristics

N.C.

Symbol



When the valve is closed, flow is blocked from port 1 to port 2. However, if the pressure in port 2 is higher than port 1, the valve will not be able to block the fluid and it will flow from port 2 to port 1.



Normally Closed (N.C.)

Body material	Port size (Nominal diameter)	Orifice diameter (mmø)	Model	Min. operating pressure differential (Note 1) (MPa)	Max. operating pressure differential (MPa)		Flow-rate characteristics				Max. system pressure (MPa)	Weight (g) (Note 2)
					AC	DC	C [dm ³ /(s·bar)]	b	Cv	Effective area (mm ²)		
Resin	ø10	10	VXZ230	0	1.0	0.7	6.2	0.38	1.7	—	1.5	400
	ø3/8"						5.3		1.2			
	ø12						8.0		2.0			
Aluminum	1/4 (8A)						8.5	0.44	2.4			
	3/8 (10A)						9.3	0.43	2.6			
C37, Stainless steel	1/2 (15A)						15	VXZ240	1.0			
Stainless steel	3/4 (20A)	20	VXZ250	36.0	0.26	9.4	1100					
	1 (25A)	25	VXZ260	—	—	—	185	1300				

Note 1) The operation of the valve may be unstable due to the capacity of the pressure supply source such as pumps and compressors or the pressure loss by the orifice of piping. Please contact SMC to check if the required valve size can be used in the application. Please contact SMC for the compatibility of the circuit flow and valve size. (Refer to page 23.)

Note 2) Weight of grommet type. Add 10 g for conduit, 30 g for DIN terminal, and 60 g for conduit terminal type respectively.

• Refer to "Glossary of Terms" on page 30 for details on the max. operating pressure differential.

Fluid and Ambient Temperature

Fluid temperature (°C)	Ambient temperature (°C)
-10 (Note) to 60	-20 to 60

Note) Dew point temperature: -10°C or less

Valve Leakage Rate

Internal Leakage

Seal material	Leakage rate (Air) (Note 1)
NBR (FKM) (Note 2)	15 cm ³ /min or less (Aluminum body type)
	15 cm ³ /min or less (Resin body type)
	1 cm ³ /min or less (Metal body type)

External Leakage

Seal material	Leakage rate (Air) (Note 1)
NBR (FKM) (Note 2)	15 cm ³ /min or less (Aluminum body type)
	15 cm ³ /min or less (Resin body type)
	1 cm ³ /min or less (Metal body type)

Note 1) Leakage is the value at ambient temperature 20°C.

Note 2) For seal material/FKM, refer to "Other options" on page 20 for the selection.

Note 3) When the product is used with low vacuum (to 133 Pa.abs), give caution to the external leakage outlined above.

Zero Differential Pressure Type Pilot Operated 2 Port Solenoid Valve **Series VXZ**



Specifications

For Air

For Water

For Oil

For Heated Water

For High Temperature Oil

Options

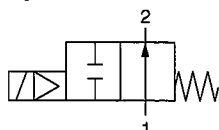
Construction

Dimensions

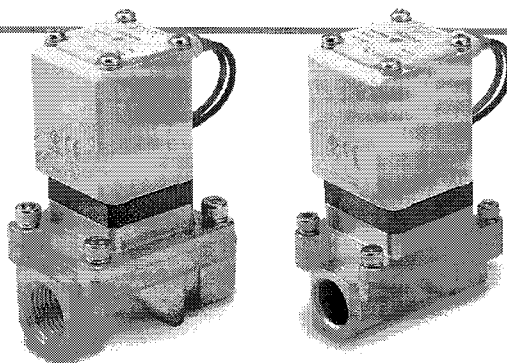
Flow-rate Characteristics

N.O.

Symbol



When the valve is closed, flow is blocked from port 1 to port 2. However, if the pressure in port 2 is higher than port 1, the valve will not be able to block the fluid and it will flow from port 2 to port 1.



Normally Open (N.O.)

Body material	Port size (Nominal diameter)	Orifice diameter (mm ϕ)	Model	Min. operating pressure differential (MPa) ^{Note 1)}	Max. operating pressure differential (MPa)		Flow-rate characteristics				Max. system pressure (MPa)	Weight (g) ^{Note 2)}
					AC	DC	C [dm ³ /(s·bar)]	b	Cv	Effective area (mm ²)		
Resin	$\phi 10$	10	VXZ2A0	0	0.7	0.6	6.2	0.38	1.7	—	1.5	430
	$\phi 3/8$ "						5.3		1.2			
	$\phi 12$						8.0		2.0			
Aluminum	1/4 (8A)	15	VXZ2B0	0	0.7	0.6	8.5	0.44	2.4	—	1.5	630
	3/8 (10A)						9.3		2.6			
C37, Stainless steel	1/2 (15A)	20	VXZ2C0	0	0.7	0.6	23.0	0.34	6.0	—	1.5	750
	3/4 (20A)						36.0		9.4			
	1 (25A)						—		185			1350

Note 1) The operation of the valve may be unstable due to the capacity of the pressure supply source such as pumps and compressors or the pressure loss by the orifice of piping. Please contact SMC to check if the required valve size can be used in the application. Please contact SMC for the compatibility of the circuit flow and valve size. (Refer to page 23.)

Note 2) Weight of grommet type. Add 10 g for conduit, 30 g for DIN terminal, and 60 g for conduit terminal type respectively.

• Refer to "Glossary of Terms" on page 30 for details on the max. operating pressure differential.

Fluid and Ambient Temperature

Fluid temperature (°C)	Ambient temperature (°C)
-10 ^{Note)} to 60	-20 to 60

Note) Dew point temperature: -10°C or less

Valve Leakage Rate

Internal Leakage

Seal material	Leakage rate (Air) ^{Note 1)}
NBR (FKM) ^{Note 2)}	15 cm ³ /min or less (Aluminum body type)
	15 cm ³ /min or less (Resin body type)
	1 cm ³ /min or less (Metal body type)

External Leakage

Seal material	Leakage rate (Air) ^{Note 1)}
NBR (FKM) ^{Note 2)}	15 cm ³ /min or less (Aluminum body type)
	15 cm ³ /min or less (Resin body type)
	1 cm ³ /min or less (Metal body type)

Note 1) Leakage is the value at ambient temperature 20°C.

Note 2) For seal material/FKM, refer to "Other options" on page 20 for the selection.

Series VXZ

For Air

How to Order (Single Unit)



VXZ2 3 0 A A

Fluid
0 For Air

Common Specifications

Seal material	NBR
Coil insulation type	Class B
Thread type	Rc*

* One-touch fittings are attached to the resin body type.

Size/Valve type

Symbol	Body size	Valve type
3	10A	N.C.
A		N.O.

Body material/Port size/Orifice diameter

Symbol	Body material	Port size	Orifice diameter
A	Aluminum	1/4	10
B		3/8	
C	Resin	ø10 One-touch fitting	
D		ø3/8" One-touch fitting	
E		ø12 One-touch fitting	

Symbol	Body size	Valve type
4	15A	N.C.
B		N.O.

Symbol	Body material	Port size	Orifice diameter
F	C37	1/2	15
G	Stainless steel		

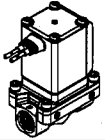
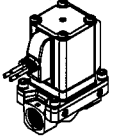
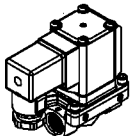
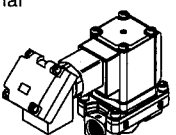
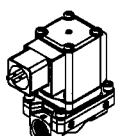
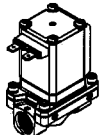
Symbol	Body size	Valve type
5	20A	N.C.
C		N.O.

Symbol	Body material	Port size	Orifice diameter
H	C37	3/4	20
J	Stainless steel		

Symbol	Body size	Valve type
6	25A	N.C.
D		N.O.

Symbol	Body material	Port size	Orifice diameter
K	C37	1	25
L	Stainless steel		

Voltage/Electrical entry

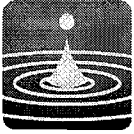
Symbol	Voltage	Electrical entry
A	24 VDC	Grommet 
B	100 VAC	Grommet (With surge voltage suppressor) 
C	110 VAC	
D	200 VAC	
E	230 VAC	
F	24 VDC	DIN terminal (With surge voltage suppressor) 
G	24 VDC	
H	100 VAC	
J	110 VAC	
K	200 VAC	
L	230 VAC	Conduit terminal (With surge voltage suppressor) 
M	24 VDC	
N	100 VAC	
P	110 VAC	
Q	200 VAC	
R	230 VAC	
S	24 VDC	Conduit (With surge voltage suppressor) 
T	100 VAC	
U	110 VAC	
V	200 VAC	
W	230 VAC	
Y	24 VDC	Faston terminal 
Z	Other voltages	

For other special options, refer to pages 20 and 21.

Special voltage	24 VAC
	48 VAC
	220 VAC
	240 VAC
	12 VDC
DIN terminal with light	
Conduit terminal with light	
Without DIN connector	
Low concentration ozone resistant (Seal material: FKM)	
Oil-free	
G thread	
NPT thread	
With bracket	
Special electrical entry direction	

Dimensions → Page 24 and after

Zero Differential Pressure Type Pilot Operated 2 Port Solenoid Valve **Series VXZ**



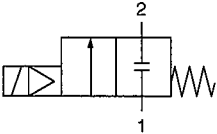
For Water

* Can be used with air (Up to 133 Pa.abs for vacuum).
Note that the maximum operating pressure differential and flow-rate characteristics should be within the specifications for air.

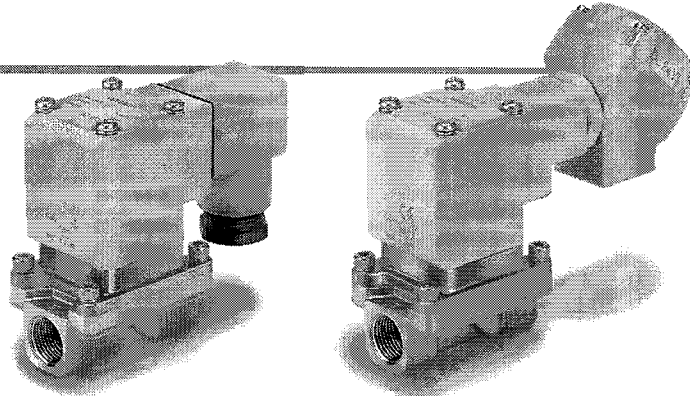
Flow-rate Characteristics

N.C.

Symbol



When the valve is closed, flow is blocked from port 1 to port 2. However, if the pressure in port 2 is higher than port 1, the valve will not be able to block the fluid and it will flow from port 2 to port 1.



Normally Closed (N.C.)

Body material	Port size (Nominal diameter)	Orifice diameter (mmø)	Model	Min. operating pressure differential ^{Note 1)} (MPa)	Max. operating pressure differential (MPa)		Flow-rate characteristics		Max. system pressure (MPa)	Weight ^{Note 2)} (g)		
					AC	DC	Av x 10 ⁻⁶ m ²	Cv				
C37, Stainless steel	1/4 (8A)	10	VXZ232	0	1.0	0.7	46	1.9	1.5	600		
	3/8 (10A)						58	2.4		720		
	1/2 (15A)	15	VXZ242				130	5.3		1100		
	3/4 (20A)						20	VXZ252		220	9.2	1300
	1 (25A)									25	VXZ262	245

Note 1) The operation of the valve may be unstable due to the capacity of the pressure supply source such as pumps and compressors or the pressure loss by the orifice of piping. Please contact SMC to check if the required valve size can be used in the application. Please contact SMC for the compatibility of the circuit flow and valve size. (Refer to page 23.)

Note 2) Weight of grommet type. Add 10 g for conduit, 30 g for DIN terminal, and 60 g for conduit terminal type respectively.

• Refer to "Glossary of Terms" on page 30 for details on the max. operating pressure differential.

Fluid and Ambient Temperature

Fluid temperature (°C)	Ambient temperature (°C)
1 to 60	-20 to 60

Note) With no freezing

Valve Leakage Rate

Internal Leakage

Seal material	Leakage rate (Water) ^{Note 1)}
NBR (FKM) ^{Note 2)}	0.1 cm ³ /min or less

External Leakage

Seal material	Leakage rate (Water) ^{Note 1)}
NBR (FKM) ^{Note 2)}	0.1 cm ³ /min or less

Note 1) Leakage is the value at ambient temperature 20°C.

Note 2) For seal material/FKM, refer to "Other options" on page 20 for the selection.

Specifications

For Air

For Water

For Oil

For Heated Water

For High Temperature Oil

Options

Construction

Dimensions

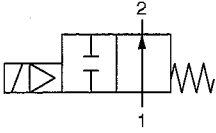
Series VXZ



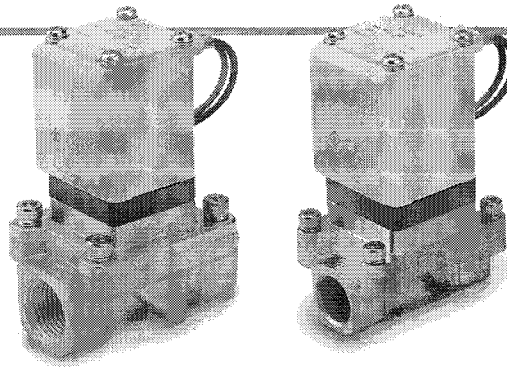
Flow-rate Characteristics

N.O.

Symbol



When the valve is closed, flow is blocked from port 1 to port 2. However, if the pressure in port 2 is higher than port 1, the valve will not be able to block the fluid and it will flow from port 2 to port 1.



Normally Open (N.O.)

Body material	Port size (Nominal diameter)	Orifice diameter (mmø)	Model	Min. operating pressure differential ^{Note 1)} (MPa)	Max. operating pressure differential (MPa)		Flow-rate characteristics		Max. system pressure (MPa)	Weight ^{Note 2)} (g)
					AC	DC	Av x 10 ⁻⁶ m ²	Cv		
C37, Stainless steel	1/4 (8A)	10	VXZ2A2	0	0.7	0.6	46	1.9	1.5	630
	3/8 (10A)						58	2.4		
	1/2 (15A)	130	5.3							
	3/4 (20A)	220	9.2							
	1 (25A)	245	10.2							

Note 1) The operation of the valve may be unstable due to the capacity of the pressure supply source such as pumps and compressors or the pressure loss by the orifice of piping. Please contact SMC to check if the required valve size can be used in the application. Please contact SMC for the compatibility of the circuit flow and valve size. (Refer to page 23.)

Note 2) Weight of grommet type. Add 10 g for conduit, 30 g for DIN terminal, and 60 g for conduit terminal type respectively.

• Refer to "Glossary of Terms" on page 30 for details on the max. operating pressure differential.

Fluid and Ambient Temperature

Fluid temperature (°C)	Ambient temperature (°C)
1 to 60	-20 to 60

Note) With no freezing

Valve Leakage Rate

Internal Leakage

Seal material	Leakage rate (Water) ^{Note 1)}
NBR (FKM) ^{Note 2)}	0.1 cm ³ /min or less

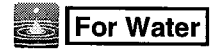
External Leakage

Seal material	Leakage rate (Water) ^{Note 1)}
NBR (FKM) ^{Note 2)}	0.1 cm ³ /min or less

Note 1) Leakage is the value at ambient temperature 20°C.

Note 2) For seal material/FKM, refer to "Other options" on page 20 for the selection.

Zero Differential Pressure Type Pilot Operated 2 Port Solenoid Valve **Series VXZ**



How to Order (Single Unit)

VXZ2 3 2 A A

Fluid
2 For Water

Common Specifications

Seal material	NBR
Coil insulation type	Class B
Thread type	Rc

Size/Valve type

Symbol	Body size	Valve type
3	10A	N.C.
A		N.O.

Symbol	Body size	Valve type
4	15A	N.C.
B		N.O.

Symbol	Body size	Valve type
5	20A	N.C.
C		N.O.

Symbol	Body size	Valve type
6	25A	N.C.
D		N.O.

Body material/Port size/Orifice diameter

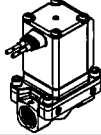
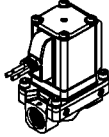
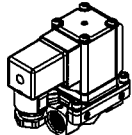
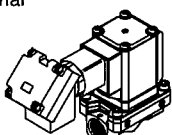
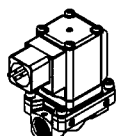
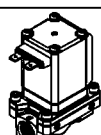
Symbol	Body material	Port size	Orifice diameter
A	C37	1/4	10
B		3/8	
C	Stainless steel	1/4	
D		3/8	

Symbol	Body material	Port size	Orifice diameter
F	C37	1/2	15
G	Stainless steel		

Symbol	Body material	Port size	Orifice diameter
H	C37	3/4	20
J	Stainless steel		

Symbol	Body material	Port size	Orifice diameter
K	C37	1	25
L	Stainless steel		

Voltage/Electrical entry

Symbol	Voltage	Electrical entry
A	24 VDC	Grommet 
B	100 VAC	Grommet (With surge voltage suppressor) 
C	110 VAC	
D	200 VAC	
E	230 VAC	
F	24 VDC	
G	24 VDC	DIN terminal (With surge voltage suppressor) 
H	100 VAC	
J	110 VAC	
K	200 VAC	
L	230 VAC	
M	24 VDC	Conduit terminal (With surge voltage suppressor) 
N	100 VAC	
P	110 VAC	
Q	200 VAC	
R	230 VAC	
S	24 VDC	Conduit (With surge voltage suppressor) 
T	100 VAC	
U	110 VAC	
V	200 VAC	
W	230 VAC	
Y	24 VDC	Faston terminal 
Z	Other voltages	

For other special options, refer to pages 20 and 21.

Special voltage	24 VAC
	48 VAC
	220 VAC
	240 VAC
	12 VDC
DIN terminal with light	
Conduit terminal with light	
Without DIN connector	
Applicable to deionized water (Seal material: FKM)	
Oil-free	
G thread	
NPT thread	
With bracket	
Special electrical entry direction	

Dimensions → Page 26 and after

Specifications

For Air

For Water

For Oil

For Heated Water

For High Temperature Oil

Options

Construction

Dimensions

Series VXZ



For Oil

* Can be used with air and water.
Note that the maximum operating pressure differential and flow-rate characteristics should be within the specifications of the fluid used.

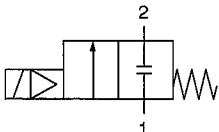
⚠ When the fluid is oil.

The kinematic viscosity must not exceed 50 mm²/s. The special construction of the armature adopted in the built-in full-wave rectifier type gives an improvement in OFF response by providing clearance on the absorbed surface when it is switched ON.

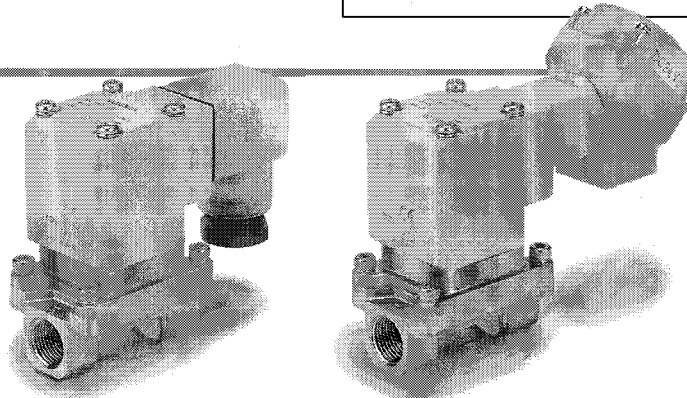
Flow-rate Characteristics

N.C.

Symbol



When the valve is closed, flow is blocked from port 1 to port 2. However, if the pressure in port 2 is higher than port 1, the valve will not be able to block the fluid and it will flow from port 2 to port 1.



Normally Closed (N.C.)

Body material	Port size (Nominal diameter)	Orifice diameter (mmø)	Model	Min. operating pressure differential ^{Note 1)} (MPa)	Max. operating pressure differential (MPa)		Flow-rate characteristics		Max. system pressure (MPa)	Weight ^{Note 2)} (g)
					AC	DC	Av x 10 ⁻⁶ m ²	Cv		
C37, Stainless steel	1/4 (8A)	10	VXZ233	0	0.7		46	1.9	1.5	600
	3/8 (10A)		58				2.4			
	1/2 (15A)	130	5.3							
	3/4 (20A)	220	9.2							
	1 (25A)	245	10.2				1100			
		25	VXZ263							1300

Note 1) The operation of the valve may be unstable due to the capacity of the pressure supply source such as pumps and compressors or the pressure loss by the orifice of piping. Please contact SMC to check if the required valve size can be used in the application. Please contact SMC for the compatibility of the circuit flow and valve size. (Refer to page 23.)

Note 2) Weight of grommet type. Add 10 g for conduit, 30 g for DIN terminal, and 60 g for conduit terminal type respectively.

• Refer to "Glossary of Terms" on page 30 for details on the max. operating pressure differential.

Fluid and Ambient Temperature

Fluid temperature (°C)	Ambient temperature (°C)
-5 ^{Note)} to 60	-20 to 60

Note) Kinematic viscosity: 50 mm²/s or less

Valve Leakage Rate

Internal Leakage

Seal material	Leakage rate (Oil) ^{Note)}
FKM	0.1 cm ³ /min or less

External Leakage

Seal material	Leakage rate (Oil) ^{Note)}
FKM	0.1 cm ³ /min or less

Note) Leakage is the value at ambient temperature 20°C.



Specifications

For Air

For Water

For Oil

For Heated Water

For High Temperature Oil

Options

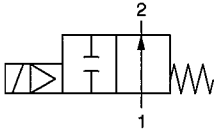
Construction

Dimensions

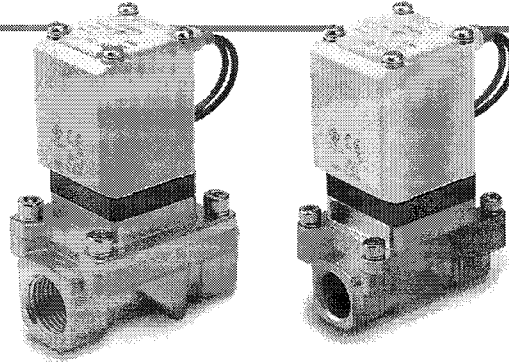
Flow-rate Characteristics

N.O.

Symbol



When the valve is closed, flow is blocked from port 1 to port 2. However, if the pressure in port 2 is higher than port 1, the valve will not be able to block the fluid and it will flow from port 2 to port 1.



Normally Open (N.O.)

Body material	Port size (Nominal diameter)	Orifice diameter (mmø)	Model	Min. operating pressure differential ^{Note 1)} (MPa)	Max. operating pressure differential (MPa)		Flow-rate characteristics		Max. system pressure (MPa)	Weight ^{Note 2)} (g)
					AC	DC	Av x 10 ⁻⁶ m ²	Cv		
C37, Stainless steel	1/4 (8A)	10	VXZ2A3	0	0.7	0.6	46	1.9	1.5	630
	3/8 (10A)		VXZ2B3				58	2.4		
	1/2 (15A)	VXZ2C3	130				5.3			
	3/4 (20A)	VXZ2D3	220				9.2			
	1 (25A)		245				10.2			

Note 1) The operation of the valve may be unstable due to the capacity of the pressure supply source such as pumps and compressors or the pressure loss by the orifice of piping. Please contact SMC to check if the required valve size can be used in the application. Please contact SMC for the compatibility of the circuit flow and valve size. (Refer to page 23.)

Note 2) Weight of grommet type. Add 10 g for conduit, 30 g for DIN terminal, and 60 g for conduit terminal type respectively.

• Refer to "Glossary of Terms" on page 30 for details on the max. operating pressure differential.

Fluid and Ambient Temperature

Fluid temperature (°C)	Ambient temperature (°C)
-5 ^{Note)} to 60	-20 to 60

Note) Kinematic viscosity: 50 mm²/s or less

Valve Leakage Rate

Internal Leakage

Seal material	Leakage rate (Oil) ^{Note)}
FKM	0.1 cm ³ /min or less

External Leakage

Seal material	Leakage rate (Oil) ^{Note)}
FKM	0.1 cm ³ /min or less

Note) Leakage is the value at ambient temperature 20°C.

Series VXZ



How to Order (Single Unit)



VXZ2 **3** **3** **A** **A**

Fluid
3 For Oil

Common Specifications

Seal material	FKM
Coil insulation type	Class B
Thread type	Rc

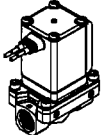
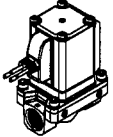
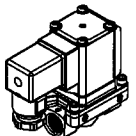
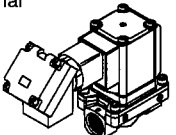
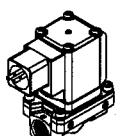
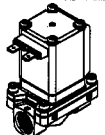
Size/Valve type

Symbol	Body size	Valve type
3	10A	N.C.
A		N.O.

Body material/Port size/Orifice diameter

Symbol	Body material	Port size	Orifice diameter
A	C37	1/4	10
B			
C	Stainless steel	1/4	
D		3/8	

Voltage/Electrical entry

Symbol	Voltage	Electrical entry
A	24 VDC	Grommet 
B	100 VAC	Grommet (With surge voltage suppressor) 
C	110 VAC	
D	200 VAC	
E	230 VAC	
F	24 VDC	DIN terminal (With surge voltage suppressor) 
G	24 VDC	
H	100 VAC	
J	110 VAC	
K	200 VAC	
L	230 VAC	Conduit terminal (With surge voltage suppressor) 
M	24 VDC	
N	100 VAC	
P	110 VAC	
Q	200 VAC	
R	230 VAC	
S	24 VDC	Conduit (With surge voltage suppressor) 
T	100 VAC	
U	110 VAC	
V	200 VAC	
W	230 VAC	
Y	24 VDC	Faston terminal 
Z	Other voltages	

Symbol	Body size	Valve type
4	15A	N.C.
B		N.O.

Symbol	Body material	Port size	Orifice diameter
F	C37	1/2	15
G	Stainless steel		

Symbol	Body size	Valve type
5	20A	N.C.
C		N.O.

Symbol	Body material	Port size	Orifice diameter
H	C37	3/4	20
J	Stainless steel		

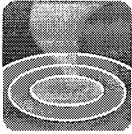
Symbol	Body size	Valve type
6	25A	N.C.
D		N.O.

Symbol	Body material	Port size	Orifice diameter
K	C37	1	25
L	Stainless steel		

For other special options,
refer to pages 20 and 21.

Special voltage	24 VAC
	48 VAC
	220 VAC
	240 VAC
	12 VDC
DIN terminal with light	
Conduit terminal with light	
Without DIN connector	
Oil-free	
G thread	
NPT thread	
With bracket	
Special electrical entry direction	

Dimensions → Page 26 and after



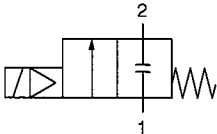
For Heated Water

* Can be used with air (up to 99°C) and water.
Note that the maximum operating pressure differential and flow-rate characteristics should be within the specifications of the fluid used.

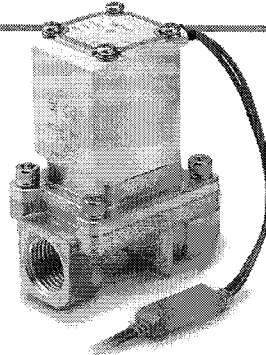
Flow-rate Characteristics

N.C.

Symbol



When the valve is closed, flow is blocked from port 1 to port 2. However, if the pressure in port 2 is higher than port 1, the valve will not be able to block the fluid and it will flow from port 2 to port 1.



Normally Closed (N.C.)

Body material	Port size (Nominal diameter)	Orifice diameter (mmø)	Model	Min. operating pressure differential ^{Note 1)} (MPa)	Max. operating pressure differential (MPa)		Flow-rate characteristics		Max. system pressure (MPa)	Weight ^{Note 2)} (g)
					AC	DC	Av x 10 ⁻⁶ m ²	Cv		
C37, Stainless steel	1/4 (8A)	10	VXZ235	0	1.0	0.7	46	1.9	1.5	600
	3/8 (10A)						58	2.4		
	1/2 (15A)	15	VXZ245				130	5.3		720
	3/4 (20A)						20	VXZ255		
	1 (25A)	25	VXZ265			1.0	245	10.2		1300

Note 1) The operation of the valve may be unstable due to the capacity of the pressure supply source such as pumps and compressors or the pressure loss by the orifice of piping. Please contact SMC to check if the required valve size can be used in the application. Please contact SMC for the compatibility of the circuit flow and valve size. (Refer to page 23.)

Note 2) Weight of grommet type. Add 10 g for conduit, 30 g for DIN terminal, and 60 g for conduit terminal type respectively.

• Refer to "Glossary of Terms" on page 30 for details on the max. operating pressure differential.

Fluid and Ambient Temperature

Fluid temperature (°C)	Ambient temperature (°C)
1 to 99	-20 to 60

Note) With no freezing

Valve Leakage Rate

Internal Leakage

Seal material	Leakage rate (Water) ^{Note)}
EPDM	0.1 cm ³ /min or less

External Leakage

Seal material	Leakage rate (Water) ^{Note)}
EPDM	0.1 cm ³ /min or less

Note) Leakage is the value at ambient temperature 20°C.

Specifications

For Air

For Water

For Oil

For Heated Water

For High Temperature Oil

Options

Construction

Dimensions

Series VXZ

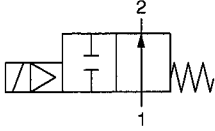


For Heated Water

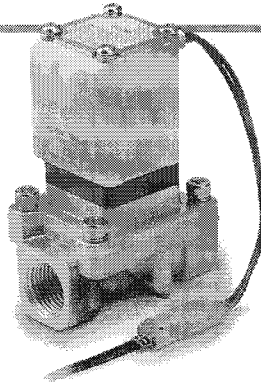
Flow-rate Characteristics

N.O.

Symbol



When the valve is closed, flow is blocked from port 1 to port 2. However, if the pressure in port 2 is higher than port 1, the valve will not be able to block the fluid and it will flow from port 2 to port 1.



Normally Open (N.O.)

Body material	Port size (Nominal diameter)	Orifice diameter (mmø)	Model	Min. operating pressure differential ^{Note 1)} (MPa)	Max. operating pressure differential (MPa)		Flow-rate characteristics		Max. system pressure (MPa)	Weight ^{Note 2)} (g)
					AC	DC	Av x 10 ⁻⁶ m ²	Cv		
C37, Stainless steel	1/4 (8A)	10	VXZ2A5	0	0.7	0.6	46	1.9	1.5	630
	3/8 (10A)						58	2.4		
	1/2 (15A)	130	5.3							
	3/4 (20A)	220	9.2							
	1 (25A)	245	10.2							

Note 1) The operation of the valve may be unstable due to the capacity of the pressure supply source such as pumps and compressors or the pressure loss by the orifice of piping. Please contact SMC to check if the required valve size can be used in the application. Please contact SMC for the compatibility of the circuit flow and valve size. (Refer to page 23.)

Note 2) Weight of grommet type. Add 10 g for conduit, 30 g for DIN terminal, and 60 g for conduit terminal type respectively.

• Refer to "Glossary of Terms" on page 30 for details on the max. operating pressure differential.

Fluid and Ambient Temperature

Fluid temperature (°C)	Ambient temperature (°C)
1 to 99	-20 to 60

Note) With no freezing

Valve Leakage Rate

Internal Leakage

Seal material	Leakage rate (Water) ^{Note)}
EPDM	0.1 cm ³ /min or less

External Leakage

Seal material	Leakage rate (Water) ^{Note)}
EPDM	0.1 cm ³ /min or less

Note) Leakage is the value at ambient temperature 20°C.

Zero Differential Pressure Type Pilot Operated 2 Port Solenoid Valve **Series VXZ**

For Heated Water

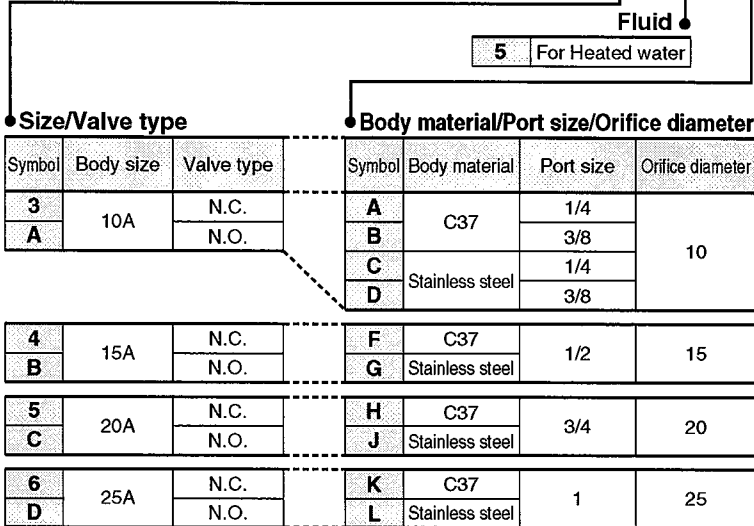


How to Order (Single Unit)

VXZ2 3 5 A B

Common Specifications

Seal material	EPDM
Coil insulation type	Class H
Thread type	Rc



Size/Valve type

Symbol	Body size	Valve type
3	10A	N.C.
A		N.O.
4	15A	N.C.
B		N.O.
5	20A	N.C.
C		N.O.
6	25A	N.C.
D		N.O.

Body material/Port size/Orifice diameter

Symbol	Body material	Port size	Orifice diameter
A	C37	1/4	10
B		3/8	
C	Stainless steel	1/4	
D		3/8	
F	C37	1/2	15
G	Stainless steel		
H	C37	3/4	20
J	Stainless steel		
K	C37	1	25
L	Stainless steel		

Voltage/Electrical entry

Symbol	Voltage	Electrical entry <small>Note 3)</small>
A	24 VDC	Grommet
B	100 VAC	Grommet (With surge voltage suppressor)
C	110 VAC	
D	200 VAC	
E	230 VAC	
G	24 VDC	DIN terminal (With surge voltage suppressor <small>Note 1) 2)</small>
H	100 VAC	
J	110 VAC	
K	200 VAC	
L	230 VAC	
N	100 VAC	Conduit terminal (With surge voltage suppressor)
P	110 VAC	
Q	200 VAC	
R	230 VAC	
T	100 VAC	Conduit (With surge voltage suppressor)
U	110 VAC	
V	200 VAC	
W	230 VAC	
Z	Other voltages	

Note 1) AC voltage coil for "H" of DIN terminal type does not have full-wave rectifier.
Full-wave rectifier is built on the DIN connector side.
Please refer to page 29 to order it as an accessory.
Note 2) DIN connector insulation class is Class "B".
Note 3) Faston terminal is not available.

For other special options, refer to pages 20 and 21.

Special voltage	24 VAC
	48 VAC
	220 VAC
	240 VAC
DIN terminal with light	
Conduit terminal with light	
Oil-free	
G thread	
NPT thread	
With bracket	
Special electrical entry direction	

Specifications

For Air

For Water

For Oil

For Heated Water

For High Temperature Oil

Options

Construction

Dimensions

Series VXZ



For High Temperature Oil

* Can be used with air (up to 99°C), water (up to 99°C) and oil. Note that the maximum operating pressure differential and flow-rate characteristics should be within the specifications of the fluid used.

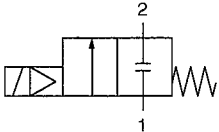
⚠ When the fluid is oil.

The kinematic viscosity must not exceed 50 mm²/s. The special construction of the armature adopted in the built-in full-wave rectifier type gives an improvement in OFF response by providing clearance on the absorbed surface when it is switched ON.

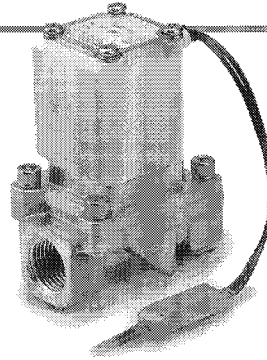
Flow-rate Characteristics

N.C.

Symbol



When the valve is closed, flow is blocked from port 1 to port 2. However, if the pressure in port 2 is higher than port 1, the valve will not be able to block the fluid and it will flow from port 2 to port 1.



Normally Closed (N.C.)

Body material	Port size (Nominal diameter)	Orifice diameter (mmø)	Model	Min. operating pressure differential ^{Note 1)} (MPa)	Max. operating pressure differential (MPa)		Flow-rate characteristics		Max. system pressure (MPa)	Weight ^{Note 2)} (g)
					AC	DC	Av x 10 ⁻⁶ m ²	Cv		
C37, Stainless steel	1/4 (8A)	10	VXZ236	0	0.7		46	1.9	1.5	600
	3/8 (10A)		VXZ246				58	2.4		
	1/2 (15A)	VXZ256	130				5.3			
	3/4 (20A)	VXZ256	220				9.2			
	1 (25A)	VXZ266	245				10.2	1100		
										1300

Note 1) The operation of the valve may be unstable due to the capacity of the pressure supply source such as pumps and compressors or the pressure loss by the orifice of piping. Please contact SMC to check if the required valve size can be used in the application. Please contact SMC for the compatibility of the circuit flow and valve size. (Refer to page 23.)

Note 2) Weight of grommet type. Add 10 g for conduit, 30 g for DIN terminal, and 60 g for conduit terminal type respectively.

• Refer to "Glossary of Terms" on page 30 for details on the max. operating pressure differential.

Fluid and Ambient Temperature

Fluid temperature (°C)	Ambient temperature (°C)
-5 ^{Note)} to 100	-20 to 60

Note) Kinematic viscosity: 50 mm²/s or less

Valve Leakage Rate

Internal Leakage

Seal material	Leakage rate (Oil) ^{Note)}
FKM	0.1 cm ³ /min or less

External Leakage

Seal material	Leakage rate (Oil) ^{Note)}
FKM	0.1 cm ³ /min or less

Note) Leakage is the value at ambient temperature 20°C.

Zero Differential Pressure Type Pilot Operated 2 Port Solenoid Valve **Series VXZ**

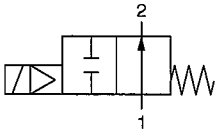
 **For High Temperature Oil**

Specifications

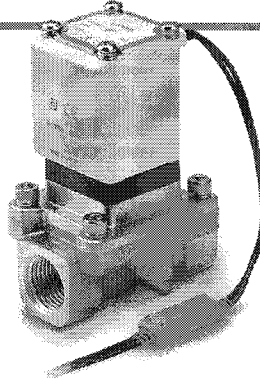
Flow-rate Characteristics

N.O.

Symbol



When the valve is closed, flow is blocked from port 1 to port 2. However, if the pressure in port 2 is higher than port 1, the valve will not be able to block the fluid and it will flow from port 2 to port 1.



For Air

For Water

For Oil

Normally Open (N.O.)

Body material	Port size (Nominal diameter)	Orifice diameter (mmø)	Model	Min. operating pressure differential ^{Note 1)} (MPa)	Max. operating pressure differential (MPa)		Flow-rate characteristics		Max. system pressure (MPa)	Weight ^{Note 2)} (g)
					AC	DC	Av x 10 ⁻⁶ m ²	Cv		
C37, Stainless steel	1/4 (8A)	10	VXZ2A6	0	0.7	0.6	46	1.9	1.5	630
	3/8 (10A)		58				2.4			
	1/2 (15A)	15	VXZ2B6				130	5.3		
	3/4 (20A)	20	VXZ2C6				220	9.2		
	1 (25A)	25	VXZ2D6				245	10.2		

For Heated Water

For High Temperature Oil

Note 1) The operation of the valve may be unstable due to the capacity of the pressure supply source such as pumps and compressors or the pressure loss by the orifice of piping. Please contact SMC to check if the required valve size can be used in the application. Please contact SMC for the compatibility of the circuit flow and valve size. (Refer to page 23.)

Note 2) Weight of grommet type. Add 10 g for conduit, 30 g for DIN terminal, and 60 g for conduit terminal type respectively.

• Refer to "Glossary of Terms" on page 30 for details on the max. operating pressure differential.

Fluid and Ambient Temperature

Fluid temperature (°C)	Ambient temperature (°C)
-5 ^{Note)} to 100	-20 to 60

Note) Kinematic viscosity: 50 mm²/s or less

Valve Leakage Rate

Internal Leakage

Seal material	Leakage rate (Oil) ^{Note)}
FKM	0.1 cm ³ /min or less

External Leakage

Seal material	Leakage rate (Oil) ^{Note)}
FKM	0.1 cm ³ /min or less

Note) Leakage is the value at ambient temperature 20°C.

Options

Construction

Dimensions

Series VXZ

 For High Temperature Oil



How to Order (Single Unit)

VXZ2 **3** **6** **A** **B**

Fluid ●

6 For High temperature oil

Common Specifications

Seal material	FKM
Coil insulation type	Class H
Thread type	Rc

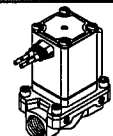
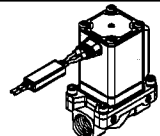
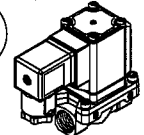
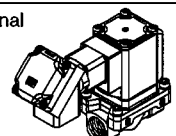
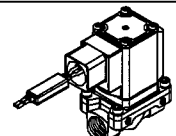
● Size/Valve type

Symbol	Body size	Valve type
3	10A	N.C.
A		N.O.

● Body material/Port size/Orifice diameter

Symbol	Body material	Port size	Orifice diameter
A	C37	1/4	10
B		3/8	
C	Stainless steel	1/4	
D		3/8	

● Voltage/Electrical entry

Symbol	Voltage	Electrical entry (Note 3)
A	24 VDC	Grommet 
B	100 VAC	Grommet (With surge voltage suppressor) 
C	110 VAC	
D	200 VAC	
E	230 VAC	DIN terminal (With surge voltage suppressor Note1) 2) 
G	24 VDC	
H	100 VAC	
J	110 VAC	
K	200 VAC	
L	230 VAC	Conduit terminal (With surge voltage suppressor) 
N	100 VAC	
P	110 VAC	
Q	200 VAC	
R	230 VAC	Conduit (With surge voltage suppressor) 
T	100 VAC	
U	110 VAC	
V	200 VAC	
W	230 VAC	
Z	Other voltages	

Symbol	Body size	Valve type
4	15A	N.C.
B		N.O.

Symbol	Body material	Port size	Orifice diameter
F	C37	1/2	15
G	Stainless steel		

Symbol	Body size	Valve type
5	20A	N.C.
C		N.O.

Symbol	Body material	Port size	Orifice diameter
H	C37	3/4	20
J	Stainless steel		

Symbol	Body size	Valve type
6	25A	N.C.
D		N.O.

Symbol	Body material	Port size	Orifice diameter
K	C37	1	25
L	Stainless steel		

Note 1) AC voltage coil for "H" of DIN terminal type does not have full-wave rectifier.

Full-wave rectifier is built on the DIN connector side. Please refer to page 29 to order it as an accessory.

Note 2) DIN connector insulation class is Class "B".

Note 3) Faston terminal is not available.

For other special options, refer to pages 20 and 21.

Special voltage	24 VAC
	48 VAC
	220 VAC
	240 VAC
DIN terminal with light	
Conduit terminal with light	
Oil-free	
G thread	
NPT thread	
With bracket	
Special electrical entry direction	

Dimensions → Page 28

Specifications

For Air

For Water

For Oil

For Heated Water

For High Temperature Oil

Options

Construction

Dimensions

Series VXZ

Other Special Options

Electrical options

VXZ2 3 0 A Z 1A

Enter standard product number.

Electrical option

Special voltage/Electrical entry/Electrical option

Specification	Symbol	Class H*	Voltage	Electrical entry
Special voltage	1A	●	48 VAC	Grommet (With surge voltage suppressor)
	1B	●	220 VAC	
	1C	●	240 VAC	
	1U	●	24 VAC	Grommet
	1D	—	12 VDC	
	1E	—	12 VDC	Grommet (With surge voltage suppressor)
	1F	●	48 VAC	
	1G	●	220 VAC	DIN terminal (With surge voltage suppressor)
	1H	●	240 VAC	
	1V	●	24 VAC	
	1J	—	12 VDC	
	1K	●	48 VAC	
	1L	●	220 VAC	Conduit terminal (With surge voltage suppressor)
	1M	●	240 VAC	
	1W	●	24 VAC	
	1N	—	12 VDC	
	1P	●	48 VAC	Conduit (With surge voltage suppressor)
	1Q	●	220 VAC	
1R	●	240 VAC		
1Y	●	24 VAC		
1S	—	12 VDC		
1T	—	12 VDC	Faston terminal	

With light	2A	●	24 VDC	DIN terminal (With surge voltage suppressor)
	2B	●	100 VAC	
	2C	●	110 VAC	
	2D	●	200 VAC	
	2E	●	230 VAC	
	2F	●	48 VAC	
	2G	●	220 VAC	Conduit terminal (With surge voltage suppressor)
	2H	●	240 VAC	
	2V	●	24 VAC	
	2J	—	12 VDC	
	2K	—	24 VDC	
	2L	●	100 VAC	
	2M	●	110 VAC	
	2N	●	200 VAC	
2P	●	230 VAC		
2Q	●	48 VAC		
2R	●	220 VAC		
2S	●	240 VAC		
2W	●	24 VAC		
2T	—	12 VDC		

Without DIN connector	3A	—	24 VDC	DIN terminal (With surge voltage suppressor)
	3B	—	100 VAC	
	3C	—	110 VAC	
	3D	—	200 VAC	
	3E	—	230 VAC	
	3F	—	48 VAC	
	3G	—	220 VAC	
	3H	—	240 VAC	
	3V	—	24 VAC	
	3J	—	12 VDC	

Options marked with ● are available for Class "H" coil.
Applicable for all when the coil insulation class is Class "B".

Other options
(Low concentration ozone resistant and applicable to deionized water, Oil-free, Port thread)

VXZ2 3 0 A A Z

Enter standard product number.

Other option

Low concentration ozone resistant and applicable to deionized water/Oil-free/Port thread

Symbol	Low concentration ozone resistant and applicable to deionized water* ¹ (Seal material: FKM)	Oil-free	Port thread
Nil	—	—	Rc, One-touch fitting* ²
A	—	—	G
B	—	—	NPT
C	○	—	Rc, One-touch fitting* ²
D	—	○	G
E	—	○	NPT
F	○	—	G
G	○	—	NPT
H	○	○	Rc, One-touch fitting* ²
K	○	○	G
L	—	○	NPT
Z	—	○	Rc, One-touch fitting* ²

*1 Applicable to air (VXZ2□0) and water (VXZ2□2).

*2 When the body is resin, One-touch fittings are equipped as standard.

With bracket
(shipped together)

VXZ2 □ □ □ □ XB

Enter standard product number.

With bracket

* Enter symbols in the order below when ordering a combination of electrical option, other option, etc.

Example) VXZ2 3 2 A Z 1A Z XB A

Electrical option

Other option

Special electrical entry direction

With bracket

EPDM specification

VXZ X332

Enter standard product number.

EPDM specification

Coil mounting direction

Symbol	Specifications	
	Electrical entry direction	Bracket
Nil	IN side (Standard)	None
A	90°	
B	180°	
C	270°	
D	IN side (Standard)	With bracket *1
E	90°	
F	180°	
G	270°	

*1 Resin body is not available.

*2 "Other options" (refer to page 20), which can be combined, are Nil, A, B, D, E, Z.

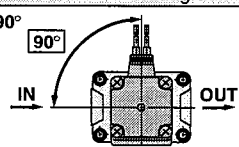
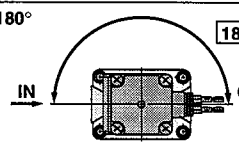
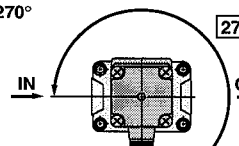
*3 Available for air and water.

Special electrical entry direction

VXZ2 XC A

Enter standard product number.

Symbol	Bracket
XC	Without bracket
XB*	With bracket

Symbol	Rotation angle
A	90° 
B	180° 
C	270° 

*1 Available for the VXZ_A³ to 2_D⁶.

*2 Bracket is attached as standard with the resin body type (VXZ_A³0_E^C□), so it is not necessary to add XB to the part number.

*3 Bracket is packed in the same container as the main body.

Specifications

For Air

For Water

For Oil

For Heated Water

For High Temperature Oil

Options

Construction

Dimensions

* Enter symbols in the order below when ordering a combination of electrical option, other option, etc.

Example) VXZ2

Electrical option

Other option

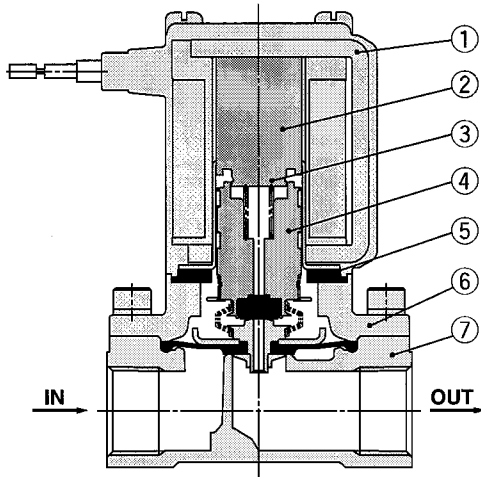
Special electrical entry direction

With bracket

Series VXZ Construction

Normally Closed (N.C.)

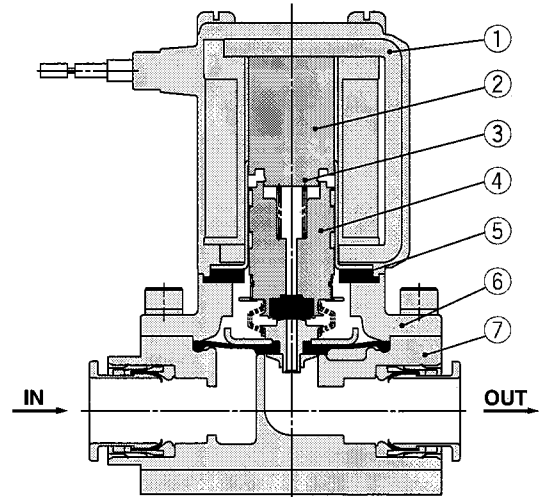
Body material: Aluminum, C37, Stainless steel



Component Parts

No.	Description	Material
1	Solenoid coil	Cu + Fe + Resin
2	Tube assembly	Stainless steel
3	Return spring	Stainless steel
4	Armature/Diaphragm assembly	Stainless steel, NBR, FKM, EPDM
5	Stopper	NBR, FKM, EPDM
6	Bonnet	C37, Stainless steel, Aluminum
7	Body	C37, Stainless steel, Aluminum

Body material: Resin

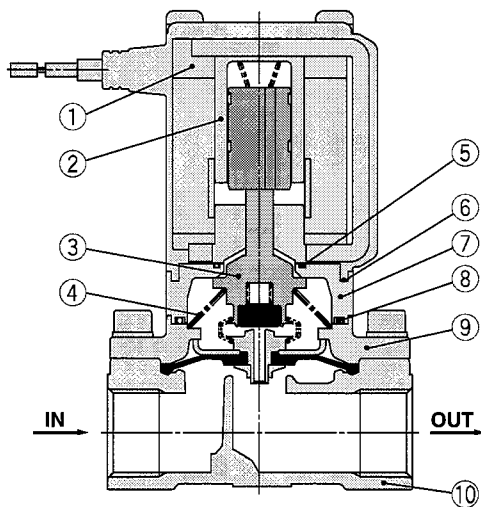


Component Parts

No.	Description	Material
1	Solenoid coil	Cu + Fe + Resin
2	Tube assembly	Stainless steel
3	Return spring	Stainless steel
4	Armature/Diaphragm assembly	Stainless steel, NBR, FKM
5	Stopper	NBR, FKM
6	Bonnet	Aluminum
7	Body	Resin (PBT)

Normally Open (N.O.)

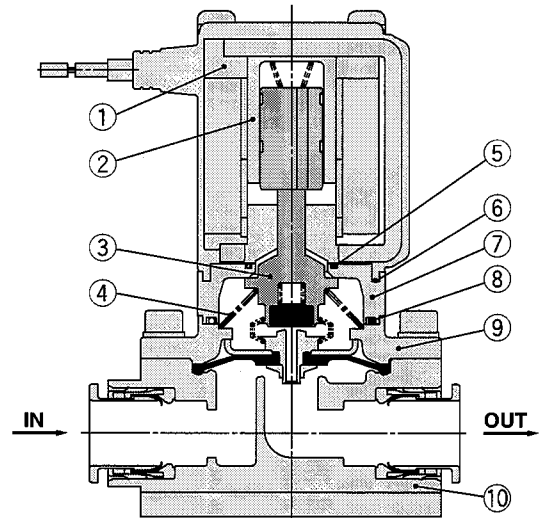
Body material: Aluminum, C37, Stainless steel



Component Parts

No.	Description	Material
1	Solenoid coil	Cu + Fe + Resin
2	Sleeve assembly	Stainless steel, Resin (PPS)
3	Push rod/Diaphragm assembly	Stainless steel, NBR, FKM, EPDM
4	Spring	Stainless steel
5	O-ring A	NBR, FKM, EPDM
6	O-ring B	NBR, FKM, EPDM
7	Adapter	Resin (PPS)
8	O-ring C	NBR, FKM, EPDM
9	Bonnet	Aluminum, C37, Stainless steel
10	Body	Aluminum, C37, Stainless steel

Body material: Resin



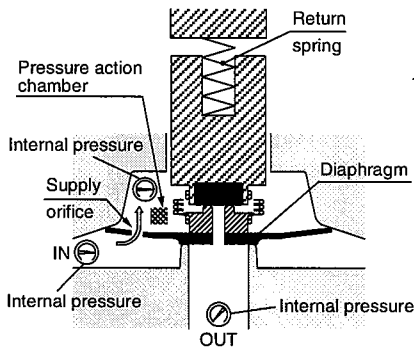
Component Parts

No.	Description	Material
1	Solenoid coil	Cu + Fe + Resin
2	Sleeve assembly	Stainless steel, Resin (PPS)
3	Push rod/Diaphragm assembly	Stainless steel, NBR, FKM
4	Spring	Stainless steel
5	O-ring A	NBR, FKM
6	O-ring B	NBR, FKM
7	Adapter	Resin (PPS)
8	O-ring C	NBR, FKM
9	Bonnet	Aluminum
10	Body	Resin (PBT)

Working Principle

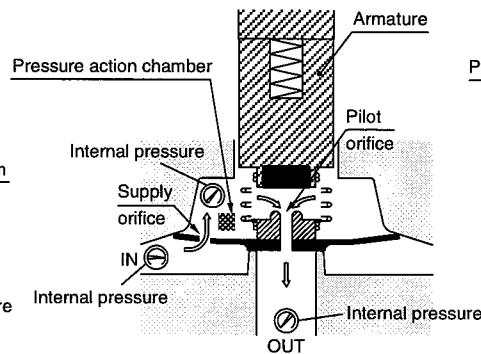
De-energized

The fluid enters from the IN goes through the supply orifice to fill the pressure action chamber. Main valve is closed by the pressure in the pressure action chamber and the reaction force of the return spring.



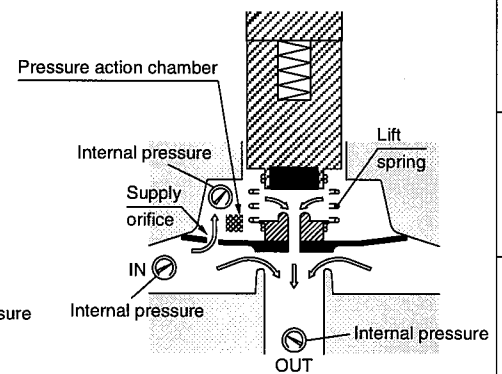
Right after energized (Pilot valve open)

When the coil is energized, the armature is attracted causing the pilot orifice to opening. The fluid filling the pressure action chamber flows to the OUT side through the pilot orifice.



Energized (Main valve side)

The pressure in the pressure action chamber decreases by discharging fluid through the pilot orifice. Because the force which pushes down the valve is reduced by the discharge of the fluid, the force that pushes up the main valve overcomes the push down force and opens the main valve. The main valve opens by the lift spring reaction force even if pressure on the IN side is 0 MPa or very low pressure.



⚠ Warning

Unstable flow may occur with the product under the following conditions: • low flow from the pump or compressor, etc. • use of several elbows or tees in the circuit, or • thin nozzles installed at the end of the piping etc. This can cause valve opening/closing failure, or oscillation, and cause a valve malfunction. If products are used with vacuum, then the vacuum level can be unstable due to these conditions. Please contact SMC to check if the valve can be used in the application by providing the relevant fluid circuit.

Specifications

For Air

For Water

For Oil

For Heated Water

For High Temperature Oil

Options

Construction

Dimensions

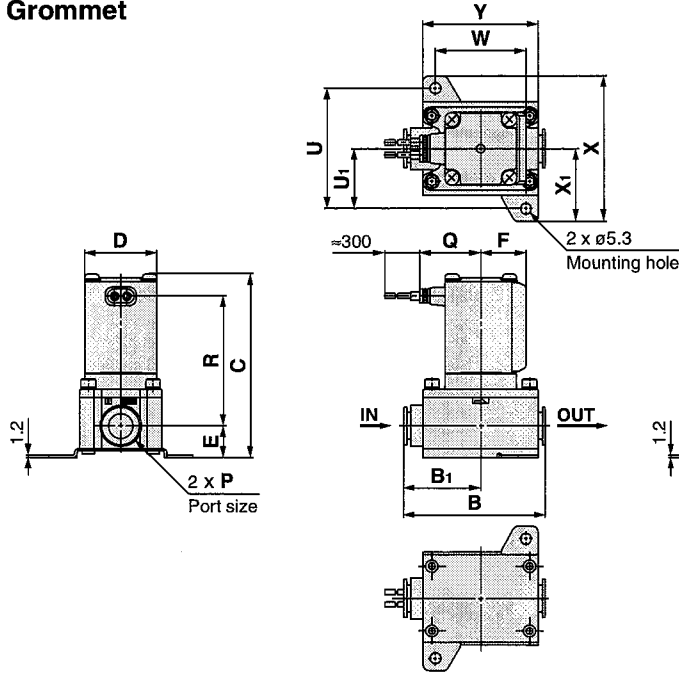
Series VXZ



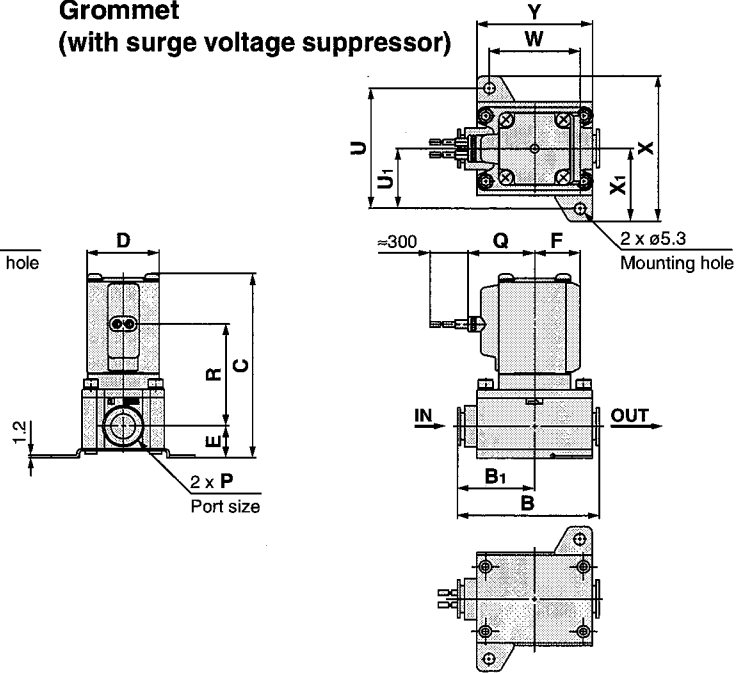
For Air

Dimensions/Body Material: Resin (One-touch Fitting Type)

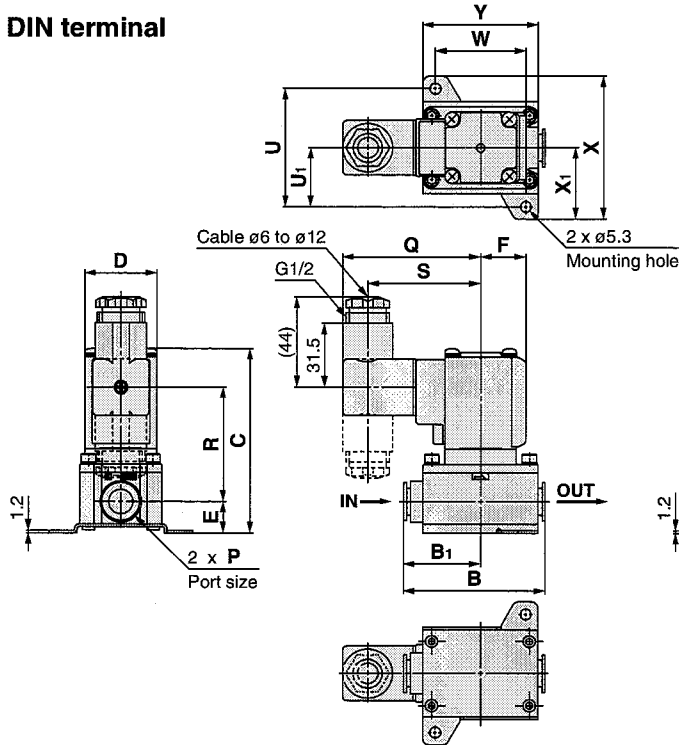
Grommet



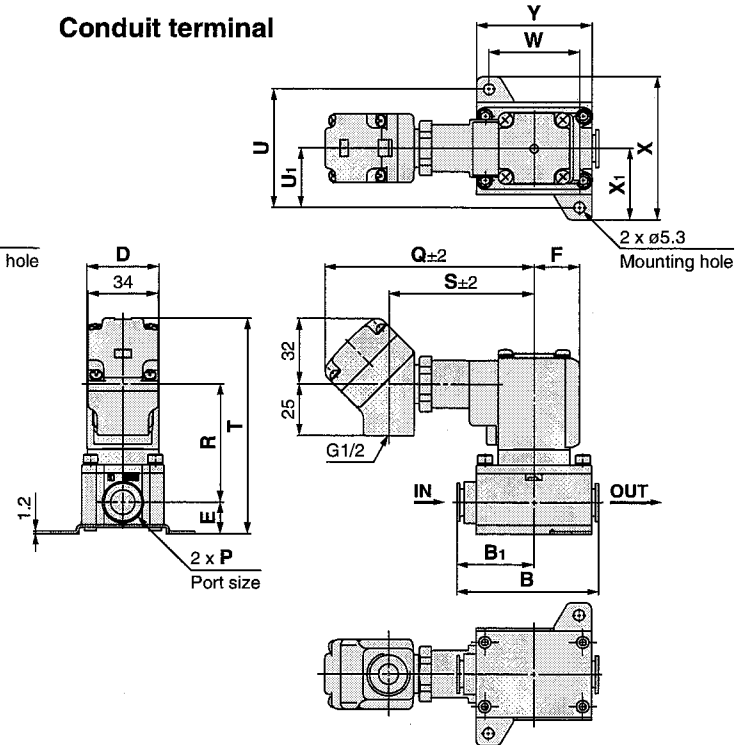
Grommet (with surge voltage suppressor)



DIN terminal



Conduit terminal



For information on handling One-touch fittings and appropriate tubing, refer to page 39 and KQ2 series One-touch fittings in Best Pneumatics No. 6. The KQ2 series information can be downloaded from the following SMC website, <http://www.smcworld.com>

Model	One-touch fitting P	B	B ₁	C	D	E	F	Bracket mounting (mm)					
								U	U ₁	W	X	X ₁	Y
VXZ ³ _A	ø10, ø3/8", ø12	69	37.5	90 (96.5)	35	15.5	22	54	27	44	65	32.5	56

Model	One-touch fitting P	Electrical entry										
		Grommet		Grommet (with surge voltage suppressor)		DIN terminal			Conduit terminal			
		Q	R	Q	R	Q	R	S	Q	R	S	T
VXZ ³ _A	ø10, ø3/8", ø12	29.5	63.5 (70)	32.5	50 (56.5)	67	55.5 (62)	55	102	57.5 (64)	71	105 (111.5)

() are the dimensions of Normally Open (N.O.).

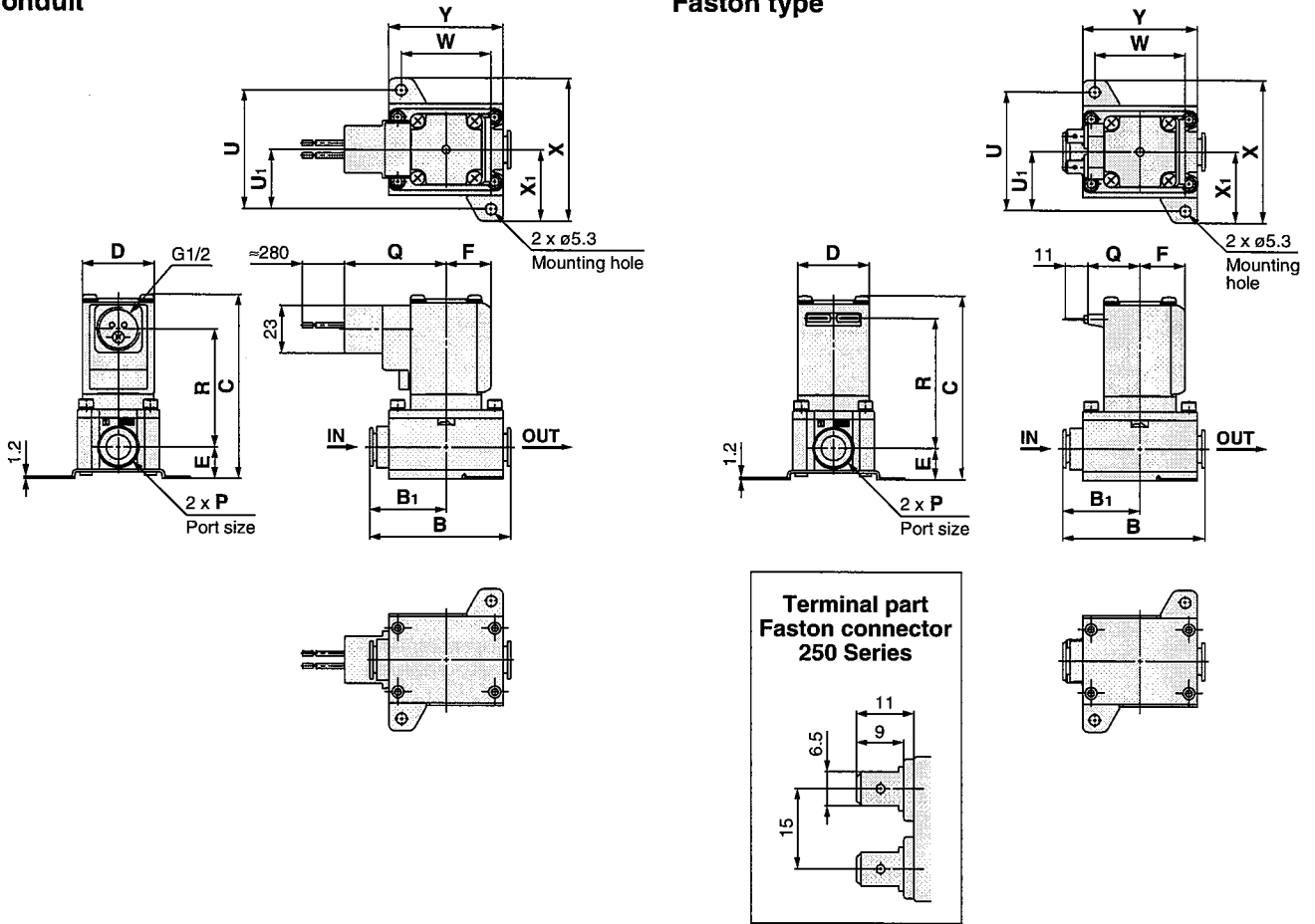
Zero Differential Pressure Type Pilot Operated 2 Port Solenoid Valve **Series VXZ**



Dimensions/Body Material: Resin (One-touch Fitting Type)

Conduit

Faston type



Specifications

For Air

For Water

For Oil

For Heated Water

For High Temperature Oil

Model	One-touch fitting P	B	B ₁	C	D	E	F	Bracket mounting					
								U	U ₁	W	X	X ₁	Y
VXZ2 ³ _A	ø10, ø3/8", ø12	69	37.5	90 (96.5)	35	15.5	22	54	27	44	65	32.5	56

Model	One-touch fitting P	Electrical entry			
		Conduit		Faston	
		Q	R	Q	R
VXZ2 ³ _A	ø10, ø3/8", ø12	50	57.5 (64)	25.5	63.5 (70)

() are the dimensions of Normally Open (N.O.).

Options

Construction

Dimensions

Series VXZ

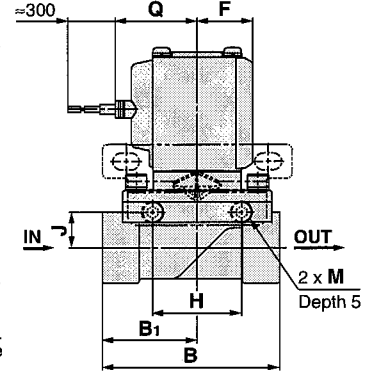
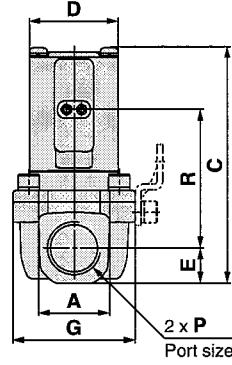
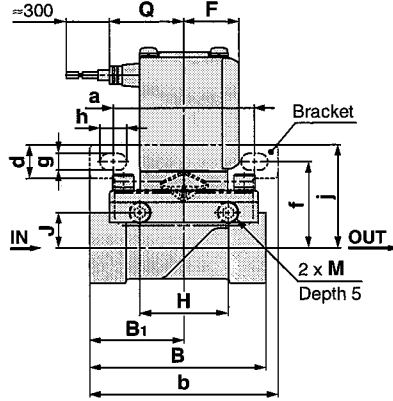
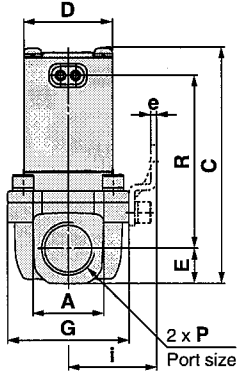


For Air, Water, Oil

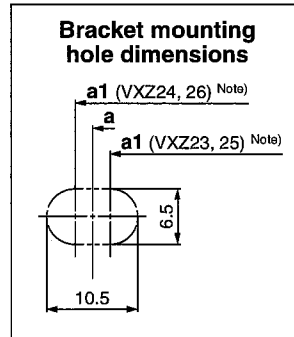
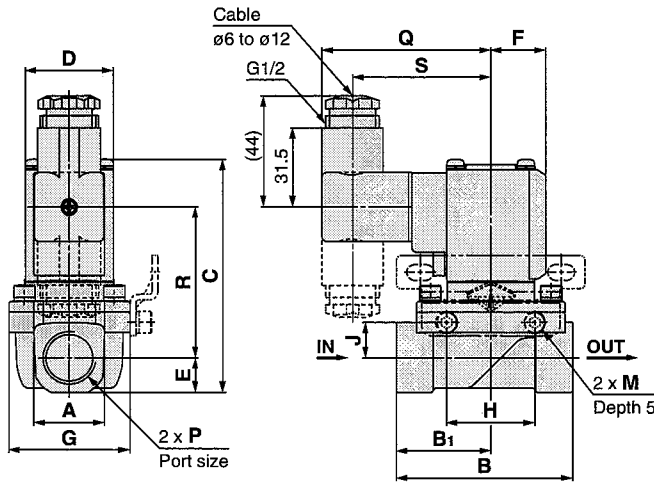
Dimensions/Body Material: Aluminum, C37, Stainless Steel

Grommet

Grommet (with surge voltage suppressor)



DIN terminal



(mm)

Model	Port size P	A	B	B ₁	C	D	E	F	G	H	J	M
VXZ2 ³ _A	1/4, 3/8	21 <22>	57	28.5	85 (91.5)	35	10.5	22	40	35	10	M5
VXZ2 ⁴ _B	1/2	28	70	37.5	93 (99.5)	35	14	22	48	35	14.2	M5
VXZ2 ⁵ _C	3/4	33.5	71	38.5	104 (110.5)	40	17	24.5	62	33	15.2	M6
VXZ2 ⁶ _D	1	42	95	49.5	110 (116)	40	20	24.5	66	37	17.2	M6

Model	Port size P	Bracket mounting									
		a	a ¹ Note)	b	d	e	f	g	h	i	j
VXZ2 ³ _A	1/4, 3/8	56	52	75	13.5	2.3	30	6.5	10.5	31	37
VXZ2 ⁴ _B	1/2	56	60	75		2.3	34.5	6.5	10.5	35	41
VXZ2 ⁵ _C	3/4	70.5	68	92		2.3	39	6.5	10.5	43	46
VXZ2 ⁶ _D	1	70.5	73	92		2.3	41	6.5	10.5	45	48

Model	Port size P	Electrical entry								
		Grommet		Grommet (with surge voltage suppressor)		DIN terminal				
		Q	R	Q	R	Q	R	S		
VXZ2 ³ _A	1/4, 3/8	29.5	63.5 (70)	32.5	50 (56.5)	67	55.5 (62)	55		
VXZ2 ⁴ _B	1/2	29.5	68.5 (74.5)	32.5	55 (61)	67	60.5 (66.5)	55		
VXZ2 ⁵ _C	3/4	32	76.5 (83)	35	63 (69.5)	69.5	68.5 (75)	57.5		
VXZ2 ⁶ _D	1	32	79.5 (85)	35	66 (71.5)	69.5	71.5 (77)	57.5		

() are the dimensions of Normally Open (N.O.). < > are the dimensions of aluminum body.
 Note) Old VXZ bracket mounting hole center position

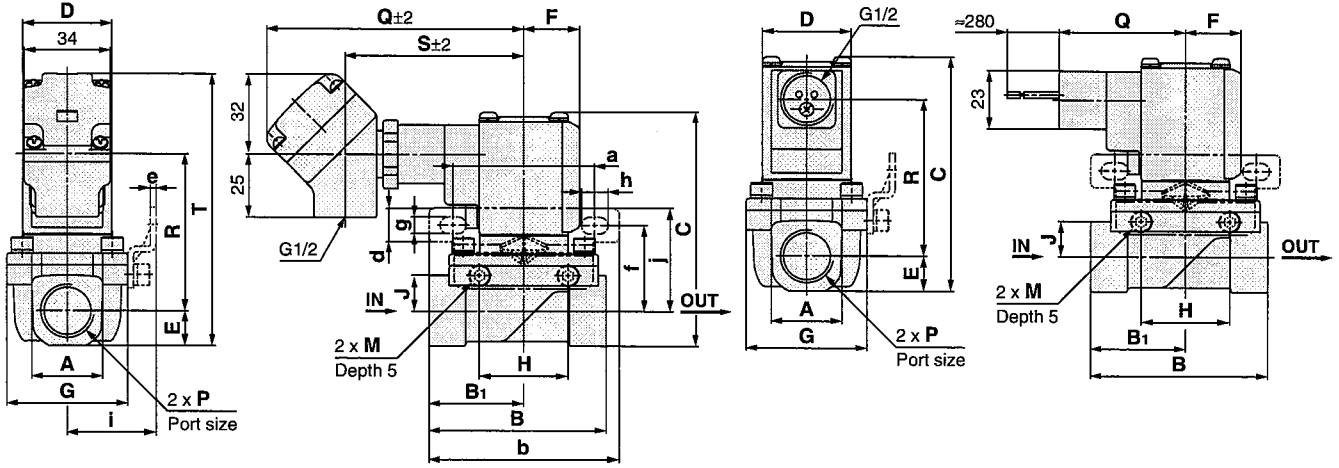
Zero Differential Pressure Type Pilot Operated 2 Port Solenoid Valve **Series VXZ**



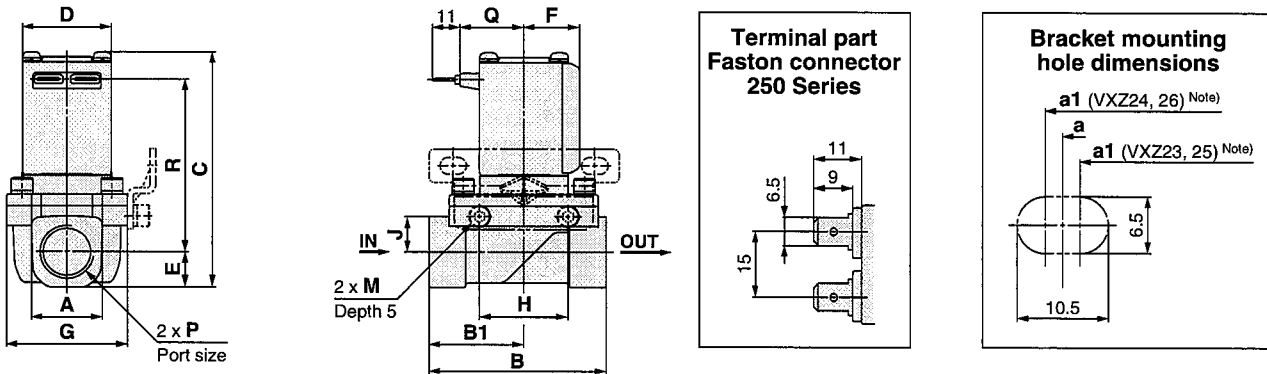
Dimensions/Body Material: Aluminum, C37, Stainless Steel

Conduit terminal

Conduit



Faston type



Model	Port size P	A	B	B ₁	C	D	E	F	G	H	J	M
VXZ2 ³ _A	1/4, 3/8	21 <22>	57	28.5	85 (91.5)	35	10.5	22	40	35	10	M5
VXZ2 ⁴ _B	1/2	28	70	37.5	93 (99.5)	35	14	22	48	35	14.2	M5
VXZ2 ⁵ _C	3/4	33.5	71	38.5	104 (110.5)	40	17	24.5	62	33	15.2	M6
VXZ2 ⁶ _D	1	42	95	49.5	110 (116)	40	20	24.5	66	37	17.2	M6

Model	Port size P	Bracket mounting									
		a	a ₁ (Note)	b	d	e	f	g	h	i	j
VXZ2 ³ _A	1/4, 3/8	56	52	75	13.5	2.3	30	6.5	10.5	31	37
VXZ2 ⁴ _B	1/2	56	60	75		2.3	34.5	6.5	10.5	35	41
VXZ2 ⁵ _C	3/4	70.5	68	92		2.3	39	6.5	10.5	43	46
VXZ2 ⁶ _D	1	70.5	73	92		2.3	41	6.5	10.5	45	48

Model	Port size P	Electrical entry							
		Conduit terminal				Conduit		Faston	
		Q	R	S	T	Q	R	Q	R
VXZ2 ³ _A	1/4, 3/8	102	57.5 (64)	71	100 (106.5)	50	57.5 (64)	25.5	63.5 (70)
VXZ2 ⁴ _B	1/2	102	62.5 (68.5)	71	108 (114.5)	50	62.5 (68.5)	25.5	68.5 (74.5)
VXZ2 ⁵ _C	3/4	104.5	70.5 (77)	73.5	119 (126)	52.5	70.5 (77)	28	76.5 (82.5)
VXZ2 ⁶ _D	1	104.5	73.5 (79)	73.5	125 (131)	52.5	73.5 (79)	28	79.5 (85)

() are the dimensions of Normally Open (N.O.). < > are the dimensions of aluminum body.
Note) Old VXZ bracket mounting hole center position

Specifications

For Air

For Water

For Oil

For Heated Water

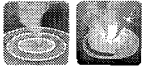
For High Temperature Oil

Options

Construction

Dimensions

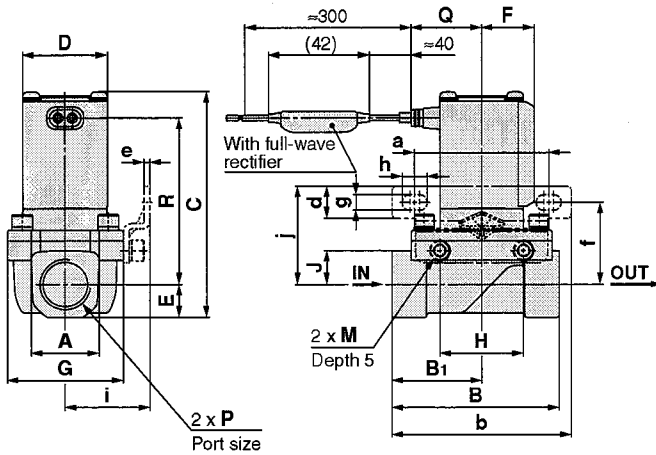
Series VXZ



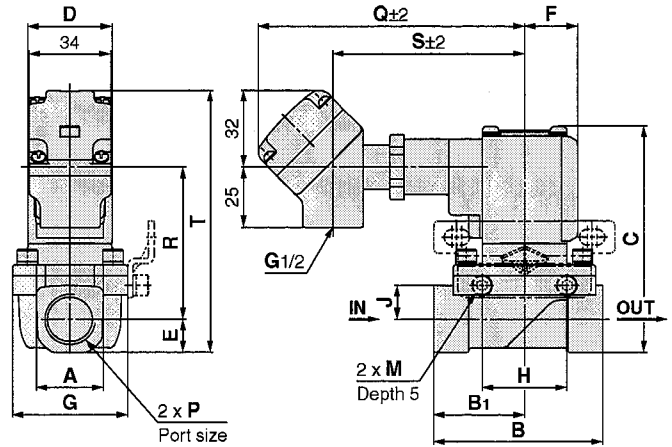
For Heated Water, High Temperature Oil

Dimensions/Body Material: C37, Stainless Steel

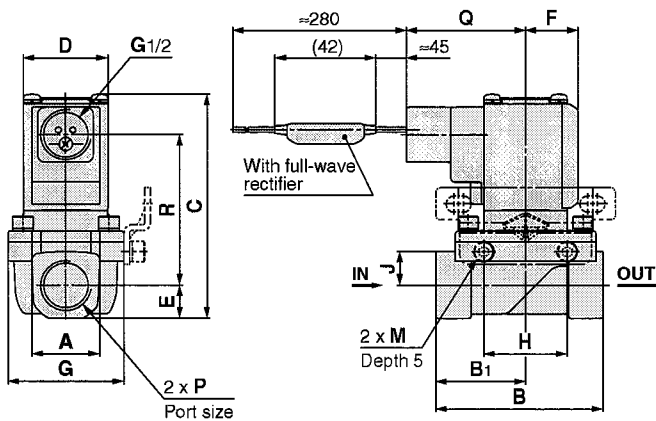
Grommet



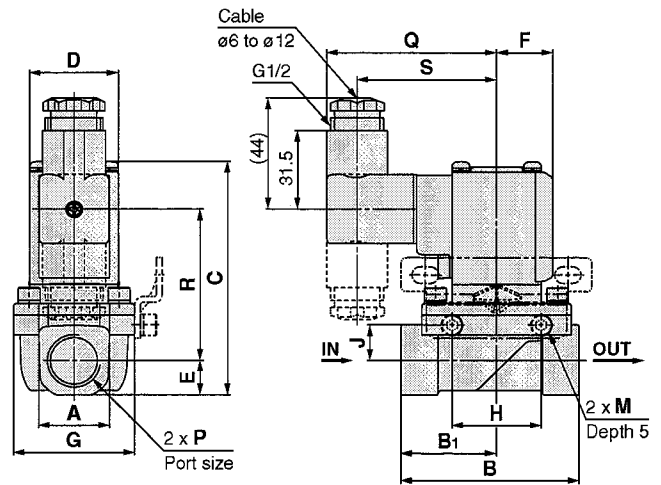
Conduit terminal



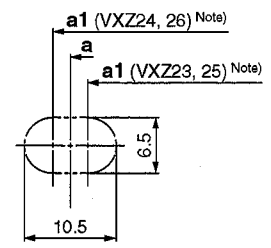
Conduit



DIN terminal



Bracket mounting hole dimensions

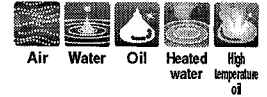


Model	Port size P	A	B	B ₁	C	D	E	F	G	H	J	M
VXZ2 ³ _A	1/4, 3/8	21	57	28.5	85 (91.5)	35	10.5	22	40	35	10	M5
VXZ2 ⁴ _B	1/2	28	70	37.5	93 (99.5)	35	14	22	48	35	14.2	M5
VXZ2 ⁵ _C	3/4	33.5	71	38.5	104 (110.5)	40	17	24.5	62	33	15.2	M6
VXZ2 ⁶ _D	1	42	95	49.5	110 (116)	40	20	24.5	66	37	17.2	M6

Model	Port size P	Bracket mounting									
		a	a1 ^{Note}	b	d	e	f	g	h	i	j
VXZ2 ³ _A	1/4, 3/8	56	52	75	13.5	2.3	30	6.5	10.5	31	37
VXZ2 ⁴ _B	1/2	56	60	75		2.3	34.5	6.5	10.5	35	41
VXZ2 ⁵ _C	3/4	70.5	68	92		2.3	39	6.5	10.5	43	46
VXZ2 ⁶ _D	1	70.5	73	92		2.3	41	6.5	10.5	45	48

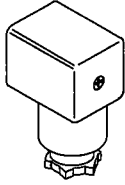
Model	Port size P	Electrical entry										
		Grommet		Conduit terminal				Conduit		DIN terminal		
		Q	R	Q	R	S	T	Q	R	Q	R	S
VXZ2 ³ _A	1/4, 3/8	29.5	63.5 (70)	110.5	57.5 (64)	79.5	100 (106.5)	50	57.5 (64)	67	55.5 (62)	55
VXZ2 ⁴ _B	1/2	29.5	68.5 (74.5)	110.5	62.5 (68.5)	79.5	108 (114.5)	50	62.5 (68.5)	67	60.5 (66.5)	55
VXZ2 ⁵ _C	3/4	32	76.5 (83)	113	70.5 (77)	82	119 (126)	52.5	70.5 (77)	69.5	68.5 (75)	57.5
VXZ2 ⁶ _D	1	32	79.5 (85)	113	73.5 (79)	82	125 (131)	52.5	73.5 (79)	69.5	71.5 (77)	57.5

() are the dimensions of Normally Open (N.O.).
 Note) Old VXZ bracket mounting hole center position



Replacement Parts

• **DIN Connector Part No.**



<Coil Insulation Type/For Class B>

Electrical option	Rated voltage	Connector part no.
None	24 VDC	C18312G6GCU
	12 VDC	
	100 VAC	
	110 VAC	
	200 VAC	
	220 VAC	
	230 VAC	
	240 VAC	
	24 VAC	
	48 VAC	
	With light	
12 VDC		GDM2A-L6
100 VAC		GDM2A-L1
110 VAC		GDM2A-L1
200 VAC		GDM2A-L2
220 VAC		GDM2A-L2
230 VAC		GDM2A-L2
240 VAC		GDM2A-L2
24 VAC		GDM2A-L5
48 VAC		GDM2A-L15

<Coil Insulation Type/For Class H>

Electrical option	Rated voltage	Connector part no.	
None	24 VDC	GDM2A-G-S2	
	100 VAC	GDM2A-R	
	110 VAC		
	200 VAC		
	220 VAC		
	230 VAC		
	240 VAC		
	24 VAC		
	48 VAC		
	With light		24 VDC
100 VAC			GDM2A-R-L1
110 VAC		GDM2A-R-L1	
200 VAC		GDM2A-R-L2	
220 VAC		GDM2A-R-L2	
230 VAC		GDM2A-R-L2	
240 VAC		GDM2A-R-L2	
24 VAC		GDM2A-R-L5	
48 VAC		GDM2A-R-L5	

• **Gasket Part No. for DIN Connector**

VCW20-1-29-1 (For Class B)

VCW20-1-29-1-F (For Class H)

• **Lead Wire Assembly for Faston Terminal
(Set of 2 pcs.)**

VX021S-1-16FB

• **Bracket Assembly Part No. (for Metal Body)**

VXZ 3 0S - 14A - 1

3	For VXZ2 $\frac{4}{3}$ $\frac{A}{B}$ □
5	For VXZ2 $\frac{6}{5}$ $\frac{C}{D}$ □

* 2 mounting screws are shipped together with the bracket assembly.

Pressure Terminology

1. Maximum operating pressure differential

The maximum pressure differential (the difference between the inlet and outlet pressure) which is allowed for operation. When the outlet pressure is 0 MPa, this becomes the maximum operating pressure.

2. Minimum operating pressure differential

The minimum pressure differential (the difference between the inlet pressure and outlet pressure) required to keep the main valve fully opened.

3. Maximum system pressure

The maximum pressure that can be applied inside the pipelines (line pressure).

[The pressure differential of the solenoid valve portion must be less than the maximum operating pressure differential.]

4. Withstand pressure

The pressure in which the valve must be withstood without a drop in performance after holding for one minute under prescribed pressure and returning to the operating pressure range. [value under the prescribed conditions]

Electrical Terminology

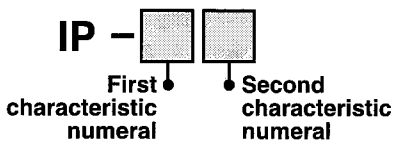
1. Surge voltage

A high voltage which is momentarily generated by shutting off the power in the shut-off area.

2. Degree of protection

A degree defined in the "JIS C 0920: Waterproof test of electric machinery/appliance and the degree of protection against the intrusion of solid foreign objects."

Verify the degree of protection for each product.



●First Characteristics: Degrees of protection against solid foreign objects

0	Non-protected
1	Protected against solid foreign objects of 50 mm ϕ and greater
2	Protected against solid foreign objects of 12 mm ϕ and greater
3	Protected against solid foreign objects of 2.5 mm ϕ and greater
4	Protected against solid foreign objects of 1.0 mm ϕ and greater
5	Dust-protected
6	Dust-tight

Electrical Terminology

●Second Characteristics: Degrees of protection against water

0	Non-protected	—
1	Protected against vertically falling water drops	Dripproof type 1
2	Protected against vertically falling water drops when enclosure tilted up to 15°	Dripproof type 2
3	Protected against rainfall when enclosure tilted up to 60°	Rainproof type
4	Protected against splashing water	Splashproof type
5	Protected against water jets	Water-jet-proof type
6	Protected against powerful water jets	Powerful water-jet-proof type
7	Protected against the effects of temporary immersion in water	Immersion type
8	Protected against the effects of continuous immersion in water	Submersible type

Example) IP65: Dust-tight, Water-jet-proof type

"Water-jet-proof type" means that no water intrudes inside an equipment that could hinder from operating normally by means of applying water for 3 minutes in the prescribed manner. Take appropriate protection measures, since a device is not usable in an environment where a droplet of water is splashed constantly.

Others

1. Material

NBR: Nitrile rubber

FKM: Fluoro rubber

EPDM: Ethylene propylene rubber

2. Oil-free treatment

The degreasing and washing of wetted parts

3. Symbol

When the valve is closed, flow is blocked from port 1 to port 2. However, if the pressure in port 2 is higher than port 1, the valve will not be able to block the fluid and it will flow from port 2 to port 1.

Faston Terminal

1. Faston™ is a trademark of Tyco Electronics Corp.

2. For electrical connection of the Faston terminal and molded coil, please use Tyco's "Amp/Faston connector/250 Series" or the equivalent.

Series VXZ

Solenoid Valve Flow-rate Characteristics (How to indicate flow-rate characteristics)

1. Indication of flow-rate characteristics

The flow-rate characteristics in equipment such as a solenoid valve etc. are indicated in their specifications as shown in Table (1).

Table (1) Indication of Flow-rate Characteristics

Corresponding equipment	Indication by international standard	Other indications	Conformed standard
Pneumatic equipment	C, b	—	ISO 6358: 1989 JIS B 8390: 2000
	—	S	JIS B 8390: 2000 Equipment: JIS B 8373, 8374, 8375, 8379, 8381
		Cv	ANSI/(NFPA)T3.21.3: 1990
Process fluid control equipment	Av	—	IEC60534-2-3: 1997 JIS B 2005: 1995
	—	Cv	Equipment: JIS B 8471, 8472, 8473

2. Pneumatic equipment

2.1 Indication according to the international standards

(1) Conformed standard

ISO 6358: 1989 : Pneumatic fluid power—Components using compressible fluids—
Determination of flow-rate characteristics

JIS B 8390: 2000 : Pneumatic fluid power—Components using compressible fluids—
How to test flow-rate characteristics

(2) Definition of flow-rate characteristics

The flow-rate characteristics are indicated as a result of a comparison between sonic conductance **C** and critical pressure ratio **b**.

Sonic conductance **C** : Value which divides the passing mass flow rate of an equipment in a choked flow condition by the product of the upstream absolute pressure and the density in a standard condition.

Critical pressure ratio **b** : Pressure ratio (downstream pressure/upstream pressure) which will turn to a choked flow when the value is smaller than this ratio.

Choked flow : The flow in which the upstream pressure is higher than the downstream pressure and where sonic speed in a certain part of an equipment is reached.

Gaseous mass flow rate is in proportion to the upstream pressure and not dependent on the downstream pressure.

Subsonic flow : Flow greater than the critical pressure ratio

Standard condition : Air in a temperature state of 20°C, absolute pressure 0.1 MPa (= 100 kPa = 1 bar), relative humidity 65%.

It is stipulated by adding the “(ANR)” after the unit depicting air volume.

(standard reference atmosphere)

Conformed standard: ISO 8778: 1990 Pneumatic fluid power—Standard reference atmosphere, JIS B 8393: 2000: Pneumatic fluid power—Standard reference atmosphere

(3) Formula for flow rate

It is described by the practical units as following.

When $\frac{P_2 + 0.1}{P_1 + 0.1} \leq b$, choked flow

$$Q = 600 \times C (P_1 + 0.1) \sqrt{\frac{293}{273 + t}} \dots\dots\dots(1)$$

When $\frac{P_2 + 0.1}{P_1 + 0.1} > b$, subsonic flow

$$Q = 600 \times C (P_1 + 0.1) \sqrt{1 - \left[\frac{\frac{P_2 + 0.1}{P_1 + 0.1} - b}{1 - b} \right]^2} \sqrt{\frac{293}{273 + t}} \dots\dots\dots(2)$$

Q : Air flow rate [dm³/min (ANR)], dm³ (Cubic decimeter) of SI unit are also allowed to be described by L (liter).
1 dm³ = 1 L

Series VXZ

C : Sonic conductance [dm³/(s·bar)]

b : Critical pressure ratio [—]

P₁ : Upstream pressure [MPa]

P₂ : Downstream pressure [MPa]

t : Temperature [°C]

Note) Formula of subsonic flow is the elliptic analogous curve.

Flow-rate characteristics are shown in Graph (1) For details, please make use of SMC's "Energy Saving Program".

Example)

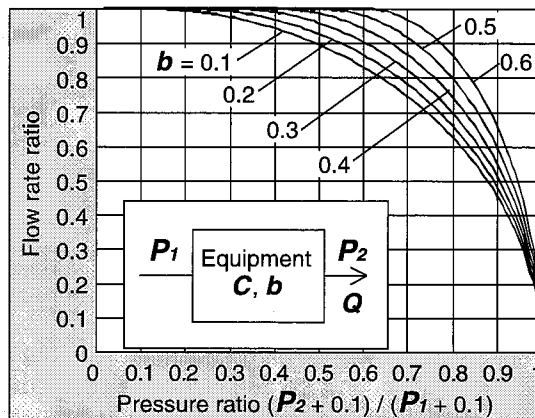
Obtain the air flow rate for **P₁** = 0.4 [MPa], **P₂** = 0.3 [MPa], **t** = 20 [°C] when a solenoid valve is performed in **C** = 2 [dm³/(s·bar)] and **b** = 0.3.

According to formula 1, the maximum flow rate = $600 \times 2 \times (0.4 + 0.1) \times \sqrt{\frac{293}{273 + 20}} = 600$ [dm³/min (ANR)]

$$\text{Pressure ratio} = \frac{0.3 + 0.1}{0.4 + 0.1} = 0.8$$

Based on Graph (1), the flow rate will be 0.7 when the pressure ratio is 0.8 and **b** = 0.3.

Hence, flow rate = Maximum flow rate x flow rate ratio = 600 x 0.7 = 420 [dm³/min (ANR)]



Graph (1) Flow-rate characteristics

(4) Test method

Attach a test equipment with the test circuit shown in Fig. (1) while maintaining the upstream pressure to a certain level which does not go below 0.3 MPa. Next, measure the maximum flow to be saturated in the first place, then measure this flow rate at 80%, 60%, 40%, 20% and the upstream and downstream pressure. And then, obtain the sonic conductance **C** from this maximum flow rate. Besides that, substitute each data of others for the subsonic flow formula to find **b**, then obtain the critical pressure ratio **b** from that average.

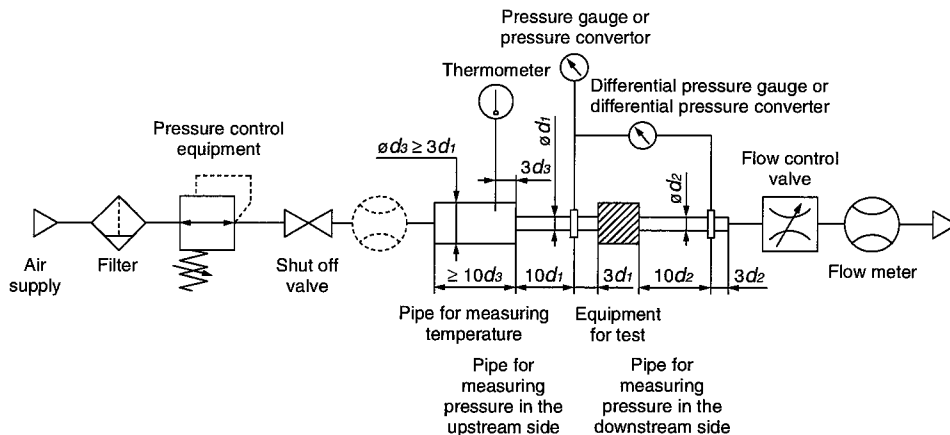


Fig. (1) Test circuit based on ISO 6358, JIS B 8390

2.2 Effective area S

(1) Conformed standard

**JIS B 8390: 2000: Pneumatic fluid power—Components using compressible fluids—
Determination of flow rate characteristics**

- Equipment standards: JIS B 8373: 2 port solenoid valve for pneumatics**
- JIS B 8374: 3 port solenoid valve for pneumatics**
- JIS B 8375: 4 port, 5 port solenoid valve for pneumatics**
- JIS B 8379: Silencer for pneumatics**
- JIS B 8381: Fittings of flexible joint for pneumatics**

(2) Definition of flow-rate characteristics

Effective area **S**: The cross-sectional area having an ideal throttle without friction deduced from the calculation of the pressure changes inside an air tank or without reduced flow when discharging the compressed air in a choked flow, from an equipment attached to the air tank. This is the same concept representing the “easy to run through” as sonic conductance **C**.

(3) Formula for flow rate

When $\frac{P_2 + 0.1}{P_1 + 0.1} \leq 0.5$, **choked flow**

$$Q = 120 \times S (P_1 + 0.1) \sqrt{\frac{293}{273 + t}} \dots\dots\dots(3)$$

When $\frac{P_2 + 0.1}{P_1 + 0.1} > 0.5$, **subsonic flow**

$$Q = 240 \times S \sqrt{(P_2 + 0.1)(P_1 - P_2)} \sqrt{\frac{293}{273 + t}} \dots\dots\dots(4)$$

Conversion with sonic conductance **C**:

$$S = 5.0 \times C \dots\dots\dots(5)$$

Q : Air flow rate[dm³/min(ANR)], dm³ (cubic decimeter) of SI unit are also allowed to be described by L (liter)
1 dm³ = 1 L

S : Effective area [mm²]

P₁ : Upstream pressure [MPa]

P₂ : Downstream pressure [MPa]

t : Temperature [°C]

Note) Formula for subsonic flow (4) is only applicable when the critical pressure ratio **b** is the unknown equipment. In the formula (2) by the sonic conductance **C**, it is the same formula as when **b** = 0.5.

(4) Test method

Attach a test equipment with the test circuit shown in Fig. (2) in order to discharge air into the atmosphere until the pressure inside the air tank goes down to 0.25 MPa (0.2 MPa) from an air tank filled with the compressed air at a certain pressure level (0.5 MPa) which does not go below 0.6 MPa. At this time, measure the discharging time and the residual pressure inside the air tank which had been left until it turned to be the normal values to determine the effective area **S**, using the following formula. The volume of an air tank should be selected within the specified range by corresponding to the effective area of an equipment for test. In the case of JIS B 8373, 8374, 8375, 8379, 8381, the pressure values are in parentheses and the coefficient of the formula is 12.9.

$$S = 12.1 \frac{V}{t} \log_{10} \left(\frac{P_s + 0.1}{P + 0.1} \right) \sqrt{\frac{293}{T}} \dots\dots\dots(6)$$

S : Effective area [mm²]

V : Air tank capacity [dm³]

t : Discharging time [s]

P_s : Pressure inside air tank before discharging [MPa]

P : Residual pressure inside air tank after discharging [MPa]

T : Temperature inside air tank before discharging [K]

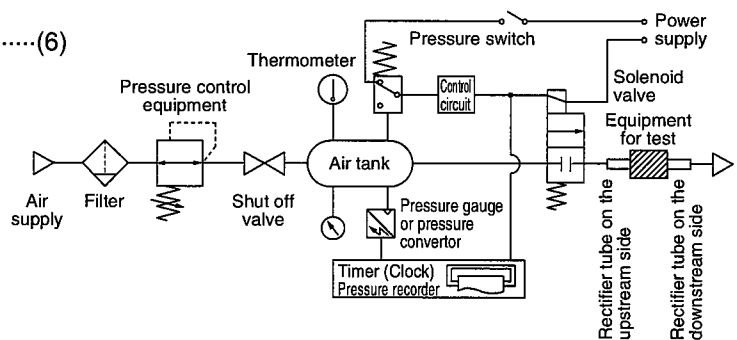


Fig. (2) Test circuit based on JIS B 8390

2.3 Flow coefficient C_v factor

The United States Standard ANSI/(NFPA)T3.21.3: 1990: Pneumatic fluid power—Flow rating test procedure and reporting method for fixed orifice components

Defines the C_v factor of flow coefficient by the following formula which is based on the test conducted by the test circuit analogous to ISO 6358.

$$C_v = \frac{Q}{114.5 \sqrt{\frac{\Delta P (P_2 + P_a)}{T_1}}} \dots\dots\dots(7)$$

ΔP : Pressure drop between the static pressure tapping ports [bar]

P_1 : Pressure of the upstream tapping port [bar gauge]

P_2 : Pressure of the downstream tapping port [bar gauge]: $P_2 = P_1 - \Delta P$

Q : Flow rate [dm³/s standard condition]

P_a : Atmospheric pressure [bar absolute]

T_1 : Upstream absolute temperature [K]

Test conditions are $< P_1 + P_a = 6.5 \pm 0.2$ bar absolute, $T_1 = 297 \pm 5$ K, $0.07 \text{ bar} \leq \Delta P \leq 0.14$ bar.

This is the same concept as effective area A which ISO 6358 stipulates as being applicable only when the pressure drop is smaller than the upstream pressure and the compression of air does not become a problem.

3. Process fluid control equipment

(1) Conformed standard

IEC60534-2-3: 1997: Industrial process control valves. Part 2: Flow capacity, Section Three-Test procedures

JIS B 2005: 1995: Test method for the flow coefficient of a valve

Equipment standards: JIS B 8471: Solenoid valve for water

JIS B 8472: Solenoid valve for steam

JIS B 8473: Solenoid valve for fuel oil

(2) Definition of flow-rate characteristics

Av factor: Value of the clean water flow rate represented by m³/s which runs through a valve (equipment for test) when the pressure difference is 1 Pa. It is calculated using the following formula.

$$Av = Q \sqrt{\frac{\rho}{\Delta P}} \dots\dots\dots(8)$$

Av : Flow coefficient [m²]

Q : Flow rate [m³/s]

ΔP : Pressure difference [Pa]

ρ : Fluid density [kg/m³]

(3) Formula of flow rate

It is described by the practical units. Also, the flow-rate characteristics are shown in Graph (2).

In the case of liquid:

$$Q = 1.9 \times 10^6 Av \sqrt{\frac{\Delta P}{G}} \dots\dots\dots(9)$$

Q : Flow rate [L/min]

Av : Flow coefficient [m²]

ΔP : Pressure difference [MPa]

G : Relative density [water = 1]

In the case of saturated aqueous vapor:

$$Q = 8.3 \times 10^6 Av \sqrt{\Delta P (P_2 + 0.1)} \dots\dots\dots(10)$$

Q : Flow rate [kg/h]

Av : Flow coefficient [m²]

ΔP : Pressure difference [MPa]

P_1 : Upstream pressure [MPa]: $\Delta P = P_1 - P_2$

P_2 : Downstream pressure [MPa]

Conversion of flow coefficient:

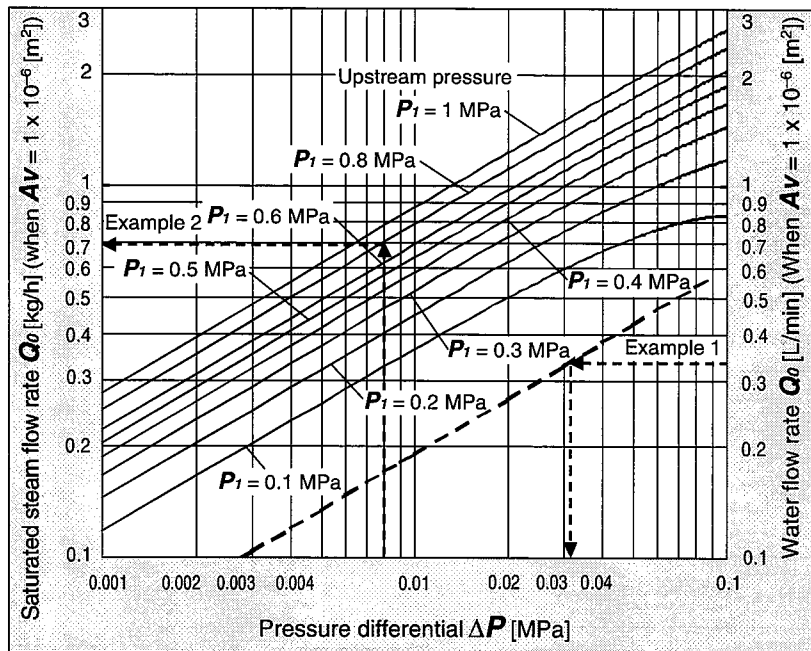
$$Av = 28 \times 10^{-6} Kv = 24 \times 10^{-6} Cv \dots\dots\dots(11)$$

Here,

Kv factor : Value of the clean water flow rate represented by m³/h which runs through a valve at 5 to 40°C, when the pressure difference is 1 bar.

Cv factor (Reference values): Figures representing the flow rate of clean water by US gal/min which runs through a valve at 60°F, when the pressure difference is 1 lbf/in² (psi).

Value is different from **Kv** and **Cv** factors for pneumatic purpose due to different test method.



Graph (2) Flow-rate characteristics

Example 1)

Obtain the pressure difference when water 15 [L/min] runs through a solenoid valve with an **Av** = 45 × 10⁻⁶ [m²]. Since **Q0** = 15/45 = 0.33 [L/min], according to Graph (2), if reading **ΔP** when **Q0** is 0.33, it will be 0.031 [MPa].

Example 2)

Obtain the saturated steam flow rate when **Pt** = 0.8 [MPa], **ΔP** = 0.008 [MPa] with a solenoid valve with an **Av** = 1.5 × 10⁻⁶ [m²].

According to Graph (2), if reading **Q0** when **Pt** is 0.8 and **ΔP** is 0.008, it is 0.7 [kg/h]. Hence, the flow rate **Q** = 0.7 × 1.5 = 1.05 [kg/h].

(4) Test method

Attach a test equipment with the test circuit shown in Fig. (3). Next, pour water at 5 to 40°C, then measure the flow rate with a pressure difference of 0.075 MPa. However, the pressure difference needs to be set with a large enough difference so that the Reynolds number does not go below a range of 4 × 10⁴.

By substituting the measurement results for formula (8) to figure out **Av**.

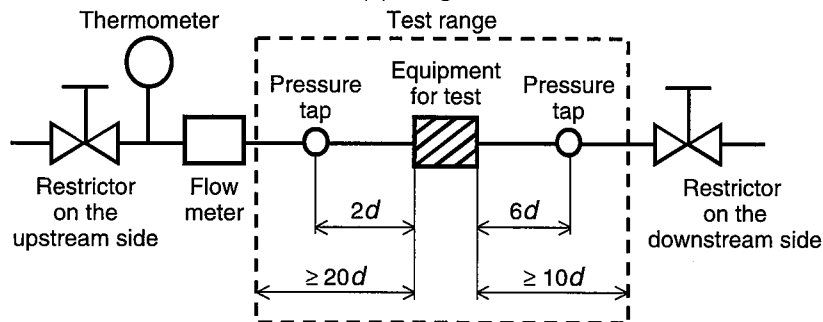


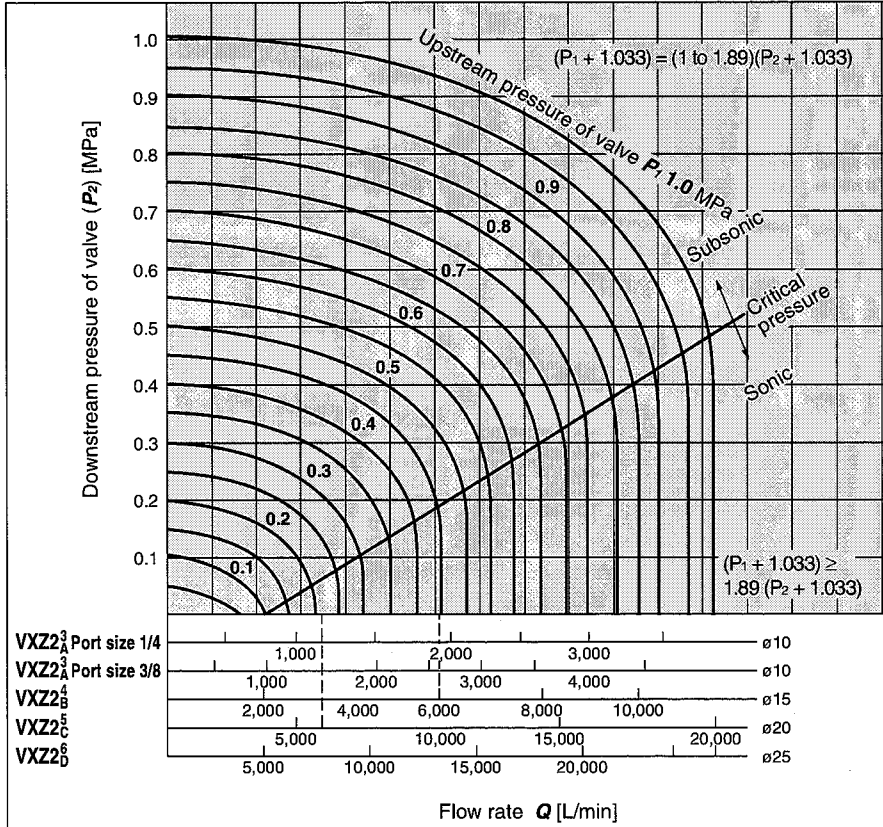
Fig. (3) Test circuit based on IEC60534-2-3, JIS B 2005

Series VXZ

Flow-rate Characteristics

Note) Use this graph as a guide. In the case of obtaining an accurate flow rate, refer to pages 31 through to 35.

For Air

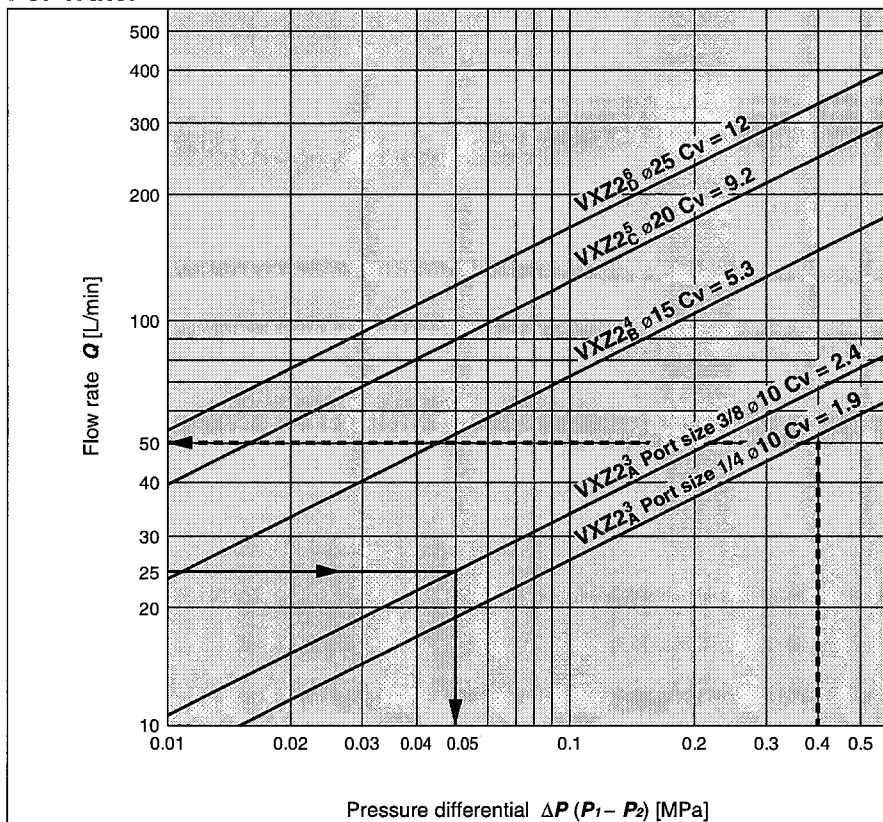


How to read the graph

The sonic range pressure to generate a flow of 6,000 L/min (ANR) is $P_1 \approx 0.47$ MPa for a ø15 orifice (VXZ2_B⁵) and $P_1 \approx 0.23$ MPa for a ø20 orifice (VXZ2_C⁶).

The optimum size for an upstream pressure $P_1 = 0.45$ MPa and a flow of 6,000 L/min will be the VXZ2_B⁵ (ø15 orifice, port size 1/2).

For Water



How to read the graph

The pressure differential for a ø10 orifice to supply a flow of 25 L/min (VXZ2_A³, port size 3/8) will be $\Delta P \approx 0.05$ MPa.

The optimum size for a pressure differential of $\Delta P \approx 0.4$ MPa and a flow of 50 L/min will be the VXZ2_A³ (ø10 orifice, port size 1/4).



Series VXZ Specific Product Precautions 1

Be sure to read before handling. Refer to back cover for Safety Instructions, "Handling Precautions for SMC Products" (M-E03-3) and the Operation Manual for 2 Port Solenoid Valves for Fluid Control Precautions. Please download it via our website, <http://www.smcworld.com>

Design

⚠ Warning

- 1. Cannot be used as an emergency shutoff valve etc.**
The valves presented in this catalog are not designed for safety applications such as an emergency shutoff valve. If the valves are used in this type of system, other reliable safety assurance measures should also be adopted.
- 2. Extended periods of continuous energization**
The solenoid coil will generate heat when continuously energized. Avoid using in a tightly shut container. Install it in a well ventilated area. Furthermore, do not touch it while it is being energized or right after it is energized.
- 3. Liquid rings**
In cases with a flowing liquid, provide a bypass valve in the system to prevent the liquid from entering the liquid seal circuit.
- 4. Actuator drive**
When an actuator, such as a cylinder, is to be driven using a valve, take appropriate measures to prevent potential danger caused by actuator operation.
- 5. Pressure (including vacuum) holding**
It is not usable for an application such as holding the pressure (including vacuum) inside of a pressure vessel because air leakage is entailed in a valve.
- 6. When the conduit type is used as equivalent to an IP65 enclosure, install a wiring conduit etc.**
- 7. When an impact, such as water hammer etc., caused by the rapid pressure fluctuation is applied, the solenoid valve may be damaged. Give an attention to it.**

Selection

⚠ Warning

- 1. Usage with low flow**
Unstable flow may occur with the product under the following conditions: • low flow from the pump or compressor, etc. • use of several elbows or tees in the circuit, or • thin nozzles installed at the end of the piping etc. This can cause valve opening/closing failure, or oscillation, and cause a valve malfunction.
Please check the pressure differential and flow to select the appropriate size of the valve referring to the Flow-rate Characteristics on page 36. Ensure that pressure differential does not become lower than 0.01 MPa during ON (N.C.: Valve open).

Selection

⚠ Warning

- 2. Fluid**
 - 1) Type of fluid**
Select an appropriate valve with reference to the table below for the general fluid. Before using a fluid, check whether it is compatible with the materials of each model by referring to the fluids listed in this catalog. Use a fluid with a kinematic viscosity of 50 mm²/s or less.
If there is something you do not know, please contact SMC.

Applicable Fluid	
For Air	Air
For Water	Air, Water
For Oil	Air, Water, Oil
For Heated water	Air(up to 99°C), Water, Heated water
For High temperature oil	Air(up to 99°C), Water, Oil, High temperature oil

 - 2) Flammable oil, Gas**
"Confirm the specification for leakage in the interior and/or exterior area."
 - 3) Corrosive gas**
Cannot be used since it will lead to cracks by stress corrosion or result in other incidents.
 - 4) When a brass body is used, then depending on water quality, corrosion and internal leakage may occur. If such abnormalities occur, exchange the product for a stainless steel body.**
 - 5) Use an oil-free specification when any oily particle must not enter the passage.**
 - 6) Applicable fluid on the list may not be used depending on the operating condition. Give adequate confirmation, and then determine a model, just because the compatibility list shows the general case.**

3. Air quality

<Air>

- 1) Use clean air.**
Do not use compressed air that contains chemicals, synthetic oils including organic solvents, salt or corrosive gases, etc., as it can cause damage or malfunction.
- 2) Install an air filter.**
Install air filters close to valves at their upstream side. filtration degree of 5 μm or less should be selected.
- 3) Install an aftercooler or air dryer, etc.**
Compressed air that contains excessive drainage may cause malfunction of valves and other pneumatic equipment. To prevent this, install an aftercooler or air dryer, etc.
- 4) If excessive carbon powder is generated, eliminate it by installing mist separators at the upstream side of valves.**
If excessive carbon powder is generated by the compressor, it may adhere to the inside of the valves and cause a malfunction.

Refer to Best Pneumatics No.5 for further details on compressed air quality.



Series VXZ

Specific Product Precautions 2

Be sure to read before handling. Refer to back cover for Safety Instructions, "Handling Precautions for SMC Products" (M-E03-3) and the Operation Manual for 2 Port Solenoid Valves for Fluid Control Precautions. Please download it via our website, <http://www.smcworld.com>

Selection

Warning

<Water>

The use of a fluid that contains foreign objects can cause problems such as malfunction and seal failure by promoting wear of the valve seat and armature, and by sticking to the sliding parts of the armature etc. Install a suitable filter (strainer) immediately upstream from the valve. As a general rule, use 100 mesh.

The supply water includes materials that create a hard sediment or sludge such as calcium and magnesium. Since this scale and sludge can cause the valve to malfunction, install water softening equipment, and a filter (strainer) directly upstream from the valve to remove these substances.

Tap water pressure:

The water pressure for tap water is normally 0.4 MPa or less. However, in places like a high-rise building, the pressure may be 1.0 MPa. When selecting tap water, be careful of the maximum operating pressure differential.

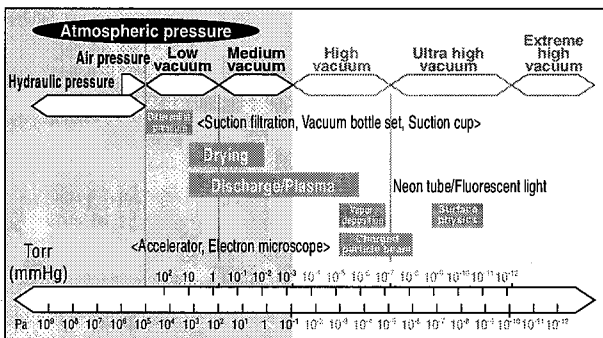
When using water or heated water, poor operation or leaks may be caused by dezincification, erosion, corrosion, etc. The brass (C37) body of this product uses dezincification resistant material as a standard. We also offer a stainless steel body type with improved corrosion resistance. Please use the one that fits your needs.

<Oil>

Generally, FKM is used as seal material, as it is resistant to oil. The resistance of the seal material may deteriorate depending on the type of oil, manufacturer or additives. Check the resistance before using.

<Vacuum>

Please be aware that there is a range of pressure that can be used.



Vacuum piping direction: if the system uses a vacuum pump, we ask that you install the vacuum pump on the secondary side.

Also, install a filter on the primary side, and be careful that no foreign object is picked up.

Please replace the valve after operating the device approximately 300,000 times.

4. Ambient environment

Use within the operable ambient temperature range. Check the compatibility between the product's composition materials and the ambient atmosphere. Be certain that the fluid used does not touch the external surface of the product.

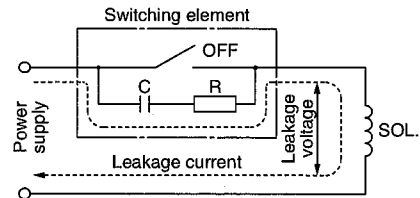
5. Countermeasures against static electricity

Take measures to prevent static electricity since some fluids can cause static electricity.

Caution

1. Leakage voltage

Particularly when using a resistor in parallel with a switching element and using a C-R element (surge voltage suppressor) to protect the switching element, take note that leakage current will flow through the resistor, C-R element, etc., creating a possible danger that the valve may not turn off.



AC/Class B built-in full-wave rectifier coil: 10% or less of rated voltage
DC coil: 2% or less of rated voltage

2. Selecting model

Material depends on fluid. Select optimal models for the fluid.

3. When the fluid is oil.

The kinematic viscosity must not exceed 50 mm²/s.

Mounting

Warning

1. If air leakage increases or equipment does not operate properly, stop operation.

After mounting is completed, confirm that it has been done correctly by performing a suitable function test.

2. Do not apply external force to the coil section.

When tightening is performed, apply a wrench or other tool to the outside of the piping connection parts.

3. Mount a valve with its coil position upward, not downward.

When mounting a valve with its coil positioned downward, foreign objects in the fluid will adhere to the iron core leading to a malfunction.

4. Do not warm the coil assembly with a heat insulator etc.

Use tape, heaters, etc., for freeze prevention on the piping and body only. They can cause the coil to burn out.

5. Secure with brackets, except in the case of steel piping and copper fittings.



Series VXZ Specific Product Precautions 3

Be sure to read before handling. Refer to back cover for Safety Instructions, "Handling Precautions for SMC Products" (M-E03-3) and the Operation Manual for 2 Port Solenoid Valves for Fluid Control Precautions. Please download it via our website, <http://www.smcworld.com>

Mounting

Warning

- Avoid sources of vibration, or adjust the arm from the body to the minimum length so that resonance will not occur.
- Painting and coating**
Warnings or specifications printed or labeled on the product should not be erased, removed or covered up.

Piping

Warning

- During use, deterioration of the tube or damage to the fittings could cause tubes to come loose from their fittings and thrash about.**
To prevent uncontrolled tube movement, install protective covers or fasten tubes securely in place.
- For piping the tube, fix the product securely using the mounting holes so that the product is not in the air.**

Caution

- Preparation before piping**
Before piping is connected, it should be thoroughly blown out with air (flushing) or washed to remove chips, cutting oil and other debris from inside the pipe. Avoid pulling, compressing, or bending the valve body when piping.
- Avoid connecting ground lines to piping, as this may cause electric corrosion of the system.**
- Always tighten threads with the proper tightening torque.**
When attaching fittings to valves, tighten with the proper tightening torque shown below.
Lower tightening torque will lead into fluid leakage.

Tightening Torque for Piping

Connection threads	Proper tightening torque N·m
Rc1/8	3 to 5
Rc1/4	8 to 12
Rc3/8	15 to 20
Rc1/2	20 to 25
Rc3/4	
Rc1	36 to 38

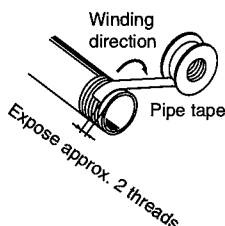
4. Connection of piping to products

When connecting piping to a product, avoid mistakes regarding the supply port etc.

5. Wrapping of pipe tape

When connecting pipes, fittings, etc., be sure that chips from the pipe threads and sealing material do not enter the valve.

Furthermore, when pipe tape is used, leave 1.5 to 2 thread ridges exposed at the end of the threads.



Piping

Caution

- If a regulator and valve are connected directly, they may vibrate together and cause chattering. Do not connect directly.
- If the cross-sectional area of piping for the fluid supply side is restricted, operation will become unstable due to inadequate pressure differential during valve operation. Use piping size for the fluid supply side that is suited to the port size.

Recommended Piping Conditions

- When connecting tubes using One-touch fittings, provide some spare tube length shown in Fig. 1, recommended piping configuration.

Also, do not apply external force to the fittings when binding tubes with bands etc. (see Fig. 2.)

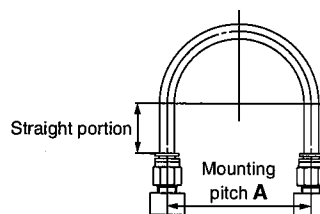


Fig. 1 Recommended piping configuration

Unit: mm

Tubing size	Mounting pitch A			Straight portion length
	Nylon tubing	Soft nylon tubing	Polyurethane tubing	
ø1/8"	44 or more	29 or more	25 or more	16 or more
ø6	84 or more	39 or more	39 or more	30 or more
ø1/4"	89 or more	56 or more	57 or more	32 or more
ø8	112 or more	58 or more	52 or more	40 or more
ø10	140 or more	70 or more	69 or more	50 or more
ø12	168 or more	82 or more	88 or more	60 or more

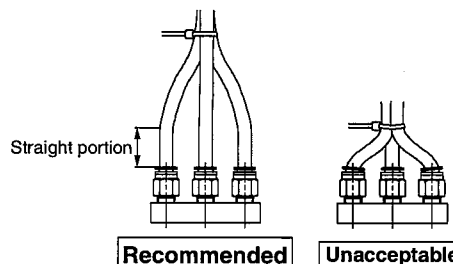


Fig. 2 Binding tubes with bands



Series VXZ

Specific Product Precautions 4

Be sure to read before handling. Refer to back cover for Safety Instructions, "Handling Precautions for SMC Products" (M-E03-3) and the Operation Manual for 2 Port Solenoid Valves for Fluid Control Precautions. Please download it via our website, <http://www.smcworld.com>

Wiring

Warning

1. Do not apply AC voltage to Class "H" coil AC type unless it is built in full-wave rectifier, or the coil will be damaged.

Caution

1. As a rule, use electrical wire with a cross sectional area of 0.5 to 1.25 mm² for wiring. Furthermore, do not allow excessive force to be applied to the lines.
2. Use electrical circuits which do not generate chattering in their contacts.
3. Use voltage which is within $\pm 10\%$ of the rated voltage. In cases with a DC power supply where importance is placed on responsiveness, stay within $\pm 5\%$ of the rated value. The voltage drop is the value in the lead wire section connecting the coil.
4. When a surge from the solenoid affects the electrical circuitry, install a surge voltage suppressor etc., in parallel with the solenoid. Or, adopt an option that comes with the surge voltage protection circuit. (However, a surge voltage occurs even if the surge voltage protection circuit is used. For details, please consult with SMC.)

Operating Environment

Warning

1. Do not use in an atmosphere having corrosive gases, chemicals, sea water, water, water steam, or where there is direct contact with any of these.
2. Do not use in explosive atmospheres.
3. Do not use in locations subject to vibration or impact.
4. Do not use in locations where radiated heat will be received from nearby heat sources.
5. Employ suitable protective measures in locations where there is contact with water droplets, oil or welding spatter, etc.

Maintenance

Warning

1. Removing the product

The valve will reach a high temperature when used with high temperature fluids. Confirm that the valve temperature has dropped sufficiently before performing work. If touched inadvertently, there is a danger of being burned.

- 1) Shut off the fluid supply and release the fluid pressure in the system.
- 2) Shut off the power supply.
- 3) Dismount the product.

2. Low frequency operation

Switch valves at least once every 30 days to prevent malfunction. Also, in order to use it under the optimum state, conduct a regular inspection once a half year.

Caution

1. Filters and strainers

- 1) Be careful regarding clogging of filters and strainers.
- 2) Replace filter elements after one year of use, or earlier if the pressure drop reaches 0.1 MPa.
- 3) Clean strainers when the pressure drop reaches 0.1 MPa.

2. Lubrication

When using after lubricating, never forget to lubricate continuously.

3. Storage

In case of long term storage after use, thoroughly remove all moisture to prevent rust and deterioration of rubber materials etc.

4. Exhaust the drain from an air filter periodically.

Operating Precautions

Warning

1. If there is a possibility of reverse pressure being applied to the valve, take countermeasures such as mounting a check valve on the downstream side of the valve.
2. When problems are caused by a water hammer, install water hammer relief equipment (accumulator etc.), or use an SMC water hammer relief valve (Series VXR). Please consult with SMC for details.
3. For pilot type 2-port solenoid valves, when the valve is closed, sudden pressure resulting from the startup of the fluid supply source (pump, compressor, etc.) may cause the valve momentarily to open and leakage to occur, so please exercise caution.
4. If the product is used in the conditions in which rapid decrease in the inlet pressure of the valve and rapid increase in the outlet pressure of the valve are repeated, excessive stress will be applied to the diaphragm, which causes the diaphragm to be damaged and dropped, leading to the operation failure of the valve. Check the operating conditions before use.



Series VXZ Specific Product Precautions 5

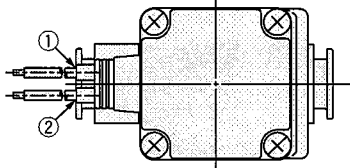
Be sure to read before handling. Refer to back cover for Safety Instructions, "Handling Precautions for SMC Products" (M-E03-3) and the Operation Manual for 2 Port Solenoid Valves for Fluid Control Precautions. Please download it via our website, <http://www.smcworld.com>

Electrical Connections

⚠ Caution

■ Grommet

Class B coil: AWG20 Insulator O.D. 2.5 mm
Class H coil: AWG18 Insulator O.D. 2.1 mm

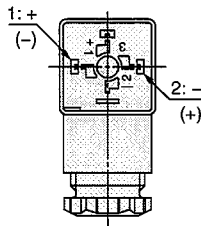


Rated voltage	Lead wire color	
	①	②
DC	Black	Red
100 VAC	Blue	Blue
200 VAC	Red	Red
Other AC	Gray	Gray

* There is no polarity.

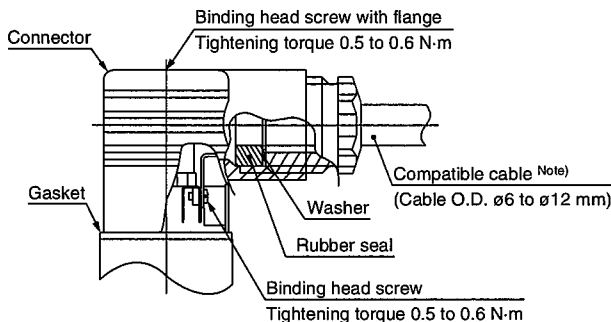
■ DIN terminal

Since internal connections are as shown below for the DIN terminal, make connections to the power supply accordingly.



Terminal no.	1	2
DIN terminal	+ (-)	- (+)

* There is no polarity.
· Use compatible heavy duty cords with cable O.D. of $\phi 6$ to 12 mm.
· Use the tightening torques below for each section.



Note) For an outside cable diameter of $\phi 9$ to 12 mm, remove the internal parts of the rubber seal before using.

[Change of electrical entry]

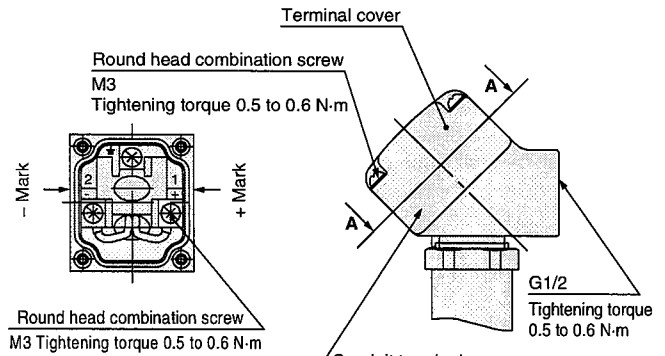
Wire entry can be changed by mounting the housing in either direction (four directions at every 90°) after dividing the terminal block and the housing.

* For the indicator lighted style, be careful not to damage the light with the lead wire of the cable.

■ Conduit terminal

In the case of the conduit terminal, make connections according to the marks shown below.

- Use the tightening torques below for each section.
- Properly seal the terminal connection (G1/2) with the special wiring conduit etc.

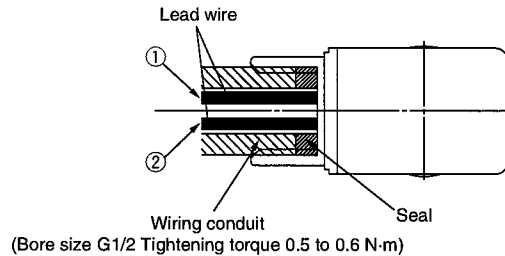


View A-A
(Internal connection diagram)

■ Conduit

When used as an IP65 equivalent, use seal to install the wiring conduit. Also, use the tightening torque below for the conduit.

Class B coil: AWG20 Insulator O.D. 2.5 mm
Class H coil: AWG18 Insulator O.D. 2.1 mm



Rated voltage	Lead wire color	
	①	②
DC	Black	Red
100 VAC	Blue	Blue
200 VAC	Red	Red
Other AC	Gray	Gray

* There is no polarity.
(For the power saving type, there is polarity.)

Description	Part no.
Seal	VCW20-15-6

Note) Please order separately.



Series VXZ Specific Product Precautions 6

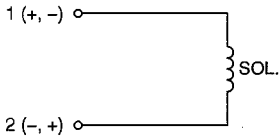
Be sure to read before handling. Refer to back cover for Safety Instructions, "Handling Precautions for SMC Products" (M-E03-3) and the Operation Manual for 2 Port Solenoid Valves for Fluid Control Precautions. Please download it via our website, <http://www.smcworld.com>

Electrical Circuits

⚠ Caution

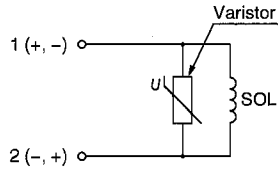
[DC circuit]

Grommet, Faston terminal



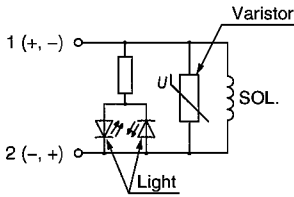
Without electrical option

Grommet, DIN terminal,
Conduit terminal, Conduit



With surge voltage suppressor

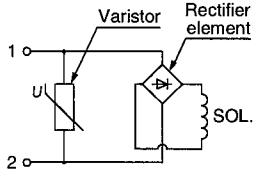
DIN terminal, Conduit terminal



With light/surge voltage suppressor

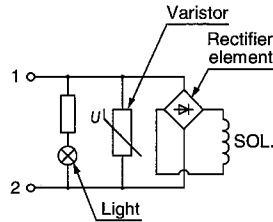
[AC circuit]

Grommet, DIN terminal,
Conduit terminal, Conduit



Without electrical option

DIN terminal, Conduit terminal



With light/surge voltage suppressor


One-touch Fitting


⚠ Caution


For information on handling One-touch fittings and appropriate tubing, refer to page 39 and the KQ2 series One-touch fittings in Best Pneumatics No. 6. The KQ2 series information can be downloaded from the following SMC website, <http://www.smcworld.com>

Safety Instructions

These safety instructions are intended to prevent hazardous situations and/or equipment damage. These instructions indicate the level of potential hazard with the labels of “**Caution**,” “**Warning**” or “**Danger**.” They are all important notes for safety and must be followed in addition to International Standards (ISO/IEC)*1), and other safety regulations.

 **Caution:** **Caution** indicates a hazard with a low level of risk which, if not avoided, could result in minor or moderate injury.

 **Warning:** **Warning** indicates a hazard with a medium level of risk which, if not avoided, could result in death or serious injury.

 **Danger:** **Danger** indicates a hazard with a high level of risk which, if not avoided, will result in death or serious injury.

- *1) ISO 4414: Pneumatic fluid power – General rules relating to systems.
ISO 4413: Hydraulic fluid power – General rules relating to systems.
IEC 60204-1: Safety of machinery – Electrical equipment of machines.
(Part 1: General requirements)
ISO 10218-1: Manipulating industrial robots – Safety.
etc.

Warning

1. The compatibility of the product is the responsibility of the person who designs the equipment or decides its specifications.

Since the product specified here is used under various operating conditions, its compatibility with specific equipment must be decided by the person who designs the equipment or decides its specifications based on necessary analysis and test results. The expected performance and safety assurance of the equipment will be the responsibility of the person who has determined its compatibility with the product. This person should also continuously review all specifications of the product referring to its latest catalog information, with a view to giving due consideration to any possibility of equipment failure when configuring the equipment.

2. Only personnel with appropriate training should operate machinery and equipment.

The product specified here may become unsafe if handled incorrectly. The assembly, operation and maintenance of machines or equipment including our products must be performed by an operator who is appropriately trained and experienced.

3. Do not service or attempt to remove product and machinery/equipment until safety is confirmed.

1. The inspection and maintenance of machinery/equipment should only be performed after measures to prevent falling or runaway of the driven objects have been confirmed.
2. When the product is to be removed, confirm that the safety measures as mentioned above are implemented and the power from any appropriate source is cut, and read and understand the specific product precautions of all relevant products carefully.
3. Before machinery/equipment is restarted, take measures to prevent unexpected operation and malfunction.

4. Contact SMC beforehand and take special consideration of safety measures if the product is to be used in any of the following conditions.

1. Conditions and environments outside of the given specifications, or use outdoors or in a place exposed to direct sunlight.
2. Installation on equipment in conjunction with atomic energy, railways, air navigation, space, shipping, vehicles, military, medical treatment, combustion and recreation, or equipment in contact with food and beverages, emergency stop circuits, clutch and brake circuits in press applications, safety equipment or other applications unsuitable for the standard specifications described in the product catalog.
3. An application which could have negative effects on people, property, or animals requiring special safety analysis.
4. Use in an interlock circuit, which requires the provision of double interlock for possible failure by using a mechanical protective function, and periodical checks to confirm proper operation.

Caution

1. The product is provided for use in manufacturing industries.

The product herein described is basically provided for peaceful use in manufacturing industries.

If considering using the product in other industries, consult SMC beforehand and exchange specifications or a contract if necessary.

If anything is unclear, contact your nearest sales branch.

Limited warranty and Disclaimer/ Compliance Requirements

The product used is subject to the following “Limited warranty and Disclaimer” and “Compliance Requirements”.

Read and accept them before using the product.

Limited warranty and Disclaimer

1. The warranty period of the product is 1 year in service or 1.5 years after the product is delivered, whichever is first.*2)

Also, the product may have specified durability, running distance or replacement parts. Please consult your nearest sales branch.

2. For any failure or damage reported within the warranty period which is clearly our responsibility, a replacement product or necessary parts will be provided.

This limited warranty applies only to our product independently, and not to any other damage incurred due to the failure of the product.

3. Prior to using SMC products, please read and understand the warranty terms and disclaimers noted in the specified catalog for the particular products.

***2) Vacuum pads are excluded from this 1 year warranty.**


A vacuum pad is a consumable part, so it is warranted for a year after it is delivered.

Also, even within the warranty period, the wear of a product due to the use of the vacuum pad or failure due to the deterioration of rubber material are not covered by the limited warranty.

Compliance Requirements

1. The use of SMC products with production equipment for the manufacture of weapons of mass destruction (WMD) or any other weapon is strictly prohibited.

2. The exports of SMC products or technology from one country to another are governed by the relevant security laws and regulations of the countries involved in the transaction. Prior to the shipment of a SMC product to another country, assure that all local rules governing that export are known and followed.

 **Safety Instructions** Be sure to read “Handling Precautions for SMC Products” (M-E03-3) before using.

SMC Corporation

Akihabara UDX 15F,
4-14-1, Sotokanda, Chiyoda-ku, Tokyo 101-0021, JAPAN
Phone: 03-5207-8249 Fax: 03-5298-5362
<http://www.smcworld.com>
© 2013 SMC Corporation All Rights Reserved

Specifications are subject to change without prior notice
and any obligation on the part of the manufacturer.

D-G

1st printing RU printing RU 8600SZ Printed in Japan.

Revision history

SMC Corporation

4-14-1, Sotokanda, Chiyoda-ku, Tokyo 101-0021 JAPAN

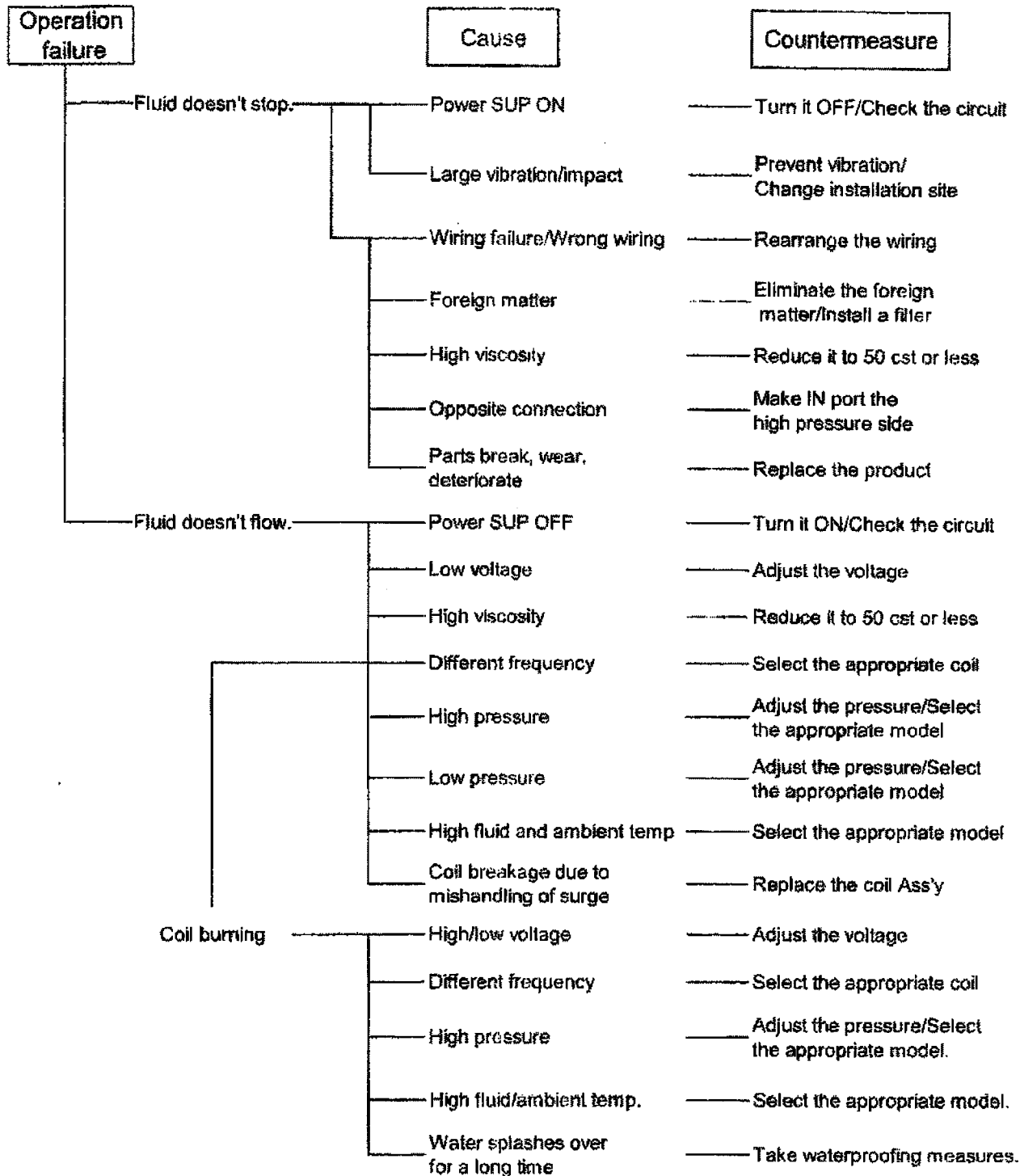
Tel: + 81 3 5207 8249 Fax: +81 3 5298 5362

URL <http://www.smcworld.com>

Note: Specifications are subject to change without prior notice and any obligation on the part of the manufacturer.
© 2012 SMC Corporation All Rights Reserved

Troubleshooting

If abnormal operations occur while in use,
please check the following flowchart and take the appropriate measures.
<For Normal Close (N.C.)>



If abnormal operations occur while in use,
 please check the following flowchart and take the appropriate measures.
 <For Normal Open (N.O.)>

