



Operation Manual

PRODUCT NAME

Parallel Type Air Gripper

MODEL / Series / Product Number

MHZ2-10*

MHZ2-16*

MHZ2-20*

MHZ2-25*

MHZ2-32*

MHZ2-40*

SMC Corporation

Contents

Safety Instructions

1. Product Specifications

1-1. Specifications

2. Operating method or operation

2-1. Design

2-2. Selection

2-3. Installation

2-4. Air supply

2-5. Piping

2-6. Operating environment

2-7. Lubrication

3. Maintenance

3-1. Precautions

3-2. Disassembly drawing

3-3. Finger assembly set replacement procedure

3-4. Seal replacement procedure

3-5. Construction / Parts list, seal list



Parallel Type Air Gripper Safety Instructions

These safety instructions are intended to prevent hazardous situations and/or equipment damage. These instructions indicate the level of potential hazard with the labels of "Caution," "Warning" or "Danger." They are all important notes for safety and must be followed in addition to International Standards (ISO/IEC)*1), and other safety regulations.

*1) ISO 4414: Pneumatic fluid power -- General rules relating to systems.

ISO 4413: Hydraulic fluid power -- General rules relating to systems.

IEC 60204-1: Safety of machinery -- Electrical equipment of machines .(Part 1: General requirements)

ISO 10218: Manipulating industrial robots -Safety.

etc.



Caution

Caution indicates a hazard with a low level of risk which, if not avoided, could result in minor or moderate injury.



Warning

Warning indicates a hazard with a medium level of risk which, if not avoided, could result in death or serious injury.



Danger

Danger indicates a hazard with a high level of risk which, if not avoided, will result in death or serious injury.

Warning

1. The compatibility of the product is the responsibility of the person who designs the equipment or decides its specifications.

Since the product specified here is used under various operating conditions, its compatibility with specific equipment must be decided by the person who designs the equipment or decides its specifications based on necessary analysis and test results.

The expected performance and safety assurance of the equipment will be the responsibility of the person who has determined its compatibility with the product.

This person should also continuously review all specifications of the product referring to its latest catalog information, with a view to giving due consideration to any possibility of equipment failure when configuring the equipment.

2. Only personnel with appropriate training should operate machinery and equipment.

The product specified here may become unsafe if handled incorrectly.

The assembly, operation and maintenance of machines or equipment including our products must be performed by an operator who is appropriately trained and experienced.

3. Do not service or attempt to remove product and machinery/equipment until safety is confirmed.

1. The inspection and maintenance of machinery/equipment should only be performed after measures to prevent falling or runaway of the driven objects have been confirmed.

2. When the product is to be removed, confirm that the safety measures as mentioned above are implemented and the power from any appropriate source is cut, and read and understand the specific product precautions of all relevant products carefully.

3. Before machinery/equipment is restarted, take measures to prevent unexpected operation and malfunction.

4. Contact SMC beforehand and take special consideration of safety measures if the product is to be used in any of the following conditions.

1. Conditions and environments outside of the given specifications, or use outdoors or in a place exposed to direct sunlight.

2. Installation on equipment in conjunction with atomic energy, railways, air navigation, space, shipping, vehicles, military, medical treatment, combustion and recreation, or equipment in contact with food and beverages, emergency stop circuits, clutch and brake circuits in press applications, safety equipment or other applications unsuitable for the standard specifications described in the product catalog.

3. An application which could have negative effects on people, property, or animals requiring special safety analysis.

4. Use in an interlock circuit, which requires the provision of double interlock for possible failure by using a mechanical protective function, and periodical checks to confirm proper operation.



Parallel Type Air Gripper Safety Instructions

Caution

The product is provided for use in manufacturing industries.

The product herein described is basically provided for peaceful use in manufacturing industries.

If considering using the product in other industries, consult SMC beforehand and exchange specifications or a contract if necessary.

If anything is unclear, contact your nearest sales branch.

Limited warranty and Disclaimer/Compliance Requirements

The product used is subject to the following "Limited warranty and Disclaimer" and "Compliance Requirements".

Read and accept them before using the product.

Limited warranty and Disclaimer

1. The warranty period of the product is 1 year in service or 1.5 years after the product is delivered, whichever is first.*2)

Also, the product may have specified durability, running distance or replacement parts. Please consult your nearest sales branch.

2. For any failure or damage reported within the warranty period which is clearly our responsibility, a replacement product or necessary parts will be provided.

This limited warranty applies only to our product independently, and not to any other damage incurred due to the failure of the product.

3. Prior to using SMC products, please read and understand the warranty terms and disclaimers noted in the specified catalog for the particular products.

*2) Vacuum pads are excluded from this 1 year warranty.

A vacuum pad is a consumable part, so it is warranted for a year after it is delivered.

Also, even within the warranty period, the wear of a product due to the use of the vacuum pad or failure due to the deterioration of rubber material are not covered by the limited warranty.

Compliance Requirements

1. The use of SMC products with production equipment for the manufacture of weapons of mass destruction(WMD) or any other weapon is strictly prohibited.

2. The exports of SMC products or technology from one country to another are governed by the relevant security laws and regulation of the countries involved in the transaction. Prior to the shipment of a SMC product to another country, assure that all local rules governing that export are known and followed.

Caution

SMC products are not intended for use as instruments for legal metrology.

Measurement instruments that SMC manufactures or sells have not been qualified by type approval tests relevant to the metrology (measurement) laws of each country.

Therefore, SMC products cannot be used for business or certification ordained by the metrology (measurement) laws of each country.

1. Specifications

1-1 Specifications

Model			MHZ2-10□	MHZ2-16□	MHZ2-20□	MHZ2-25□	MHZ2-32□	MHZ2-40□
Cylinder inside diameter (mm)			10	16	20	25	32	40
Fluid			Air					
Operating pressure (Mpa)	Double acting: D		0.2 to 0.7	0.1 to 0.7				
	Single acting	Normally open: S	0.35 to 0.7	0.25 to 0.7				
		Normally closed: C						
Ambient and fluid temperature (°C)			-10 to 60					
Repeatability (mm)			+/-0.01				+/-0.02	
Maximum operating frequency (c.p.m.)			180				60	
Lubrication			Lubrication not required.					
Action			Double acting / single acting					
Note 1) Gripping force per finger Effective value (N)	D	O.D. External gripping force	11	34	42	65	158	254
		I.D. Internal gripping force	17	45	66	104	193	318
	S	O.D. External gripping force	7.1	27	33	45	131	217
		I.D. Internal gripping force	13	38	57	83	161	267
Open/close stroke (Both sides) (mm)			4	6	10	14	22	30
Note 2) Weight (g)	D		55	115	230	420	715	1,275
	S · C				235	425	760	1,370

Note 1) Values based on pressure of 0.5 MPa, gripping point L=20 mm, at center of stroke.

Note 2) Values excluding weight of auto switch.

2. Operating method or operation

2-1. Design precautions

Warning

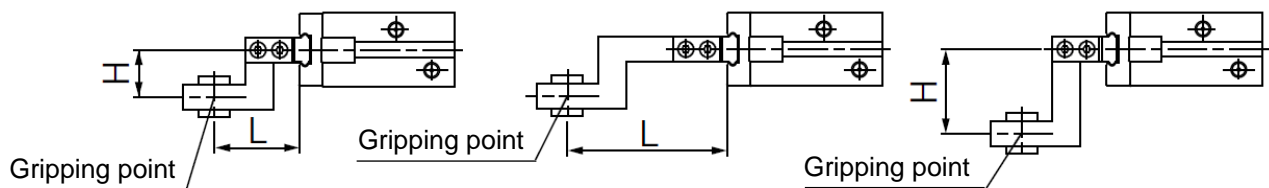
1. The product is designed for use only in compressed air systems. Do not operate at pressures or temperatures, etc., beyond the range of specifications, as this can cause damage or malfunction. (Refer to the specifications.)
Please contact SMC if using for fluids other than compressed air. We do not guarantee against any damage if the product is used outside of the specification.
2. Take safety measures (e.g. mounting protective covers) when workpieces pose a danger of fingers being caught in a gripper, etc.
3. There is a danger of workpieces dropping if there is a decrease in gripping force due to a drop in circuit pressure caused by a power failure, etc. It is necessary to take measures such as drop prevention so that injury and damage to machinery or equipment can be prevented.
4. If the product is used for the purpose other than the transportation of a workpiece, such as positioning or clamping, please consult SMC.

2-2. Selection

Warning

1. The gripping point should be set within the limited range.

When the gripping point distance becomes large, the gripper attachment applies an excessively large load to the gripper sliding section, and causes adverse affects on the life of the gripper. Refer to the catalog for details.



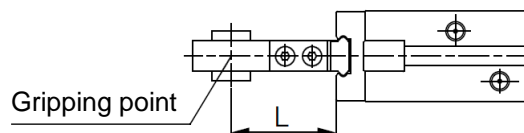
Good: "L" and "H" are appropriate

Not good: "L" is too long

Not good: "H" is too long

2. Attachments should be designed to be as light and short as possible.

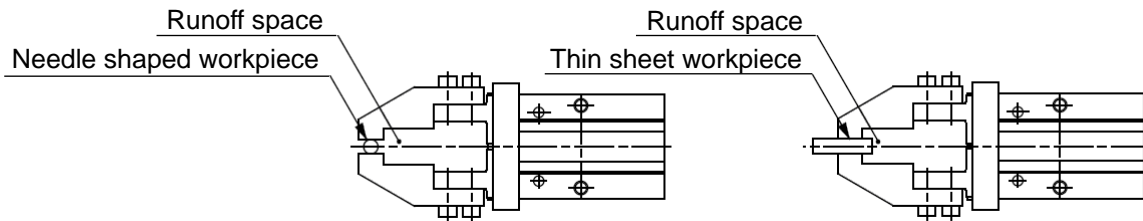
- (1) A long or heavy attachment increases the inertia force required to open or close the fingers. This may cause unsteady movement of fingers and have an adverse affect on the life of the gripper.
- (2) Design the attachment as short and light as possible even if the gripping point is within the limited range. Refer to the catalog for details.



- (3) Select a larger size gripper or used two or more grippers for handling a long and/or large workpiece.

3. Provide a run off space in the attachment when using with a small or thin workpiece.

If a run off space is not provided within the finger part, gripping becomes unsteady, and it may lead to gripping failure or slippage.



4. Select a model whose gripping force is compatible with the workpiece mass.

Incorrect selection may lead to the dropping of a workpiece, etc. Refer to the model selection criteria of each series for the effective gripping force and the workpiece mass.

5. Do not use the product in applications where excessive external force or impact force is applied. It may cause product failure. Please consult with SMC if necessary.

6. Select a model having a sufficient working finger opening/closing width.

< In case of insufficient width >

(1) Gripping becomes unsteady due to variations in opening/closing width or workpiece diameter.

(2) When using an auto switch, the detection may not be reliable. Refer to the Auto Switch Hysteresis section and set the stroke including the hysteresis length for a reliable switch function. When using the water resistant 2-color indicator auto switch, the gripper stroke may be limited by the setting of the indicator color during detection.

7. Please consult with SMC regarding a single acting, spring force only grip type.

In some cases, this can cause unstable gripping or return malfunction, due to faulty operation, etc.

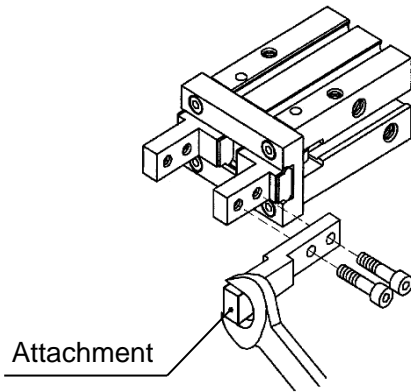
2-3. Mounting

Warning

1. Install and operate the product only after reading the Operation Manual carefully and understanding its contents. Also, keep the manual where it can be referred to as necessary.
2. Allow sufficient space for maintenance and inspection.
3. Do not drop or hit the product when mounting to avoid scratches and dents.
Even slight deformation can cause the deterioration of accuracy and operation failure.
4. Tighten the mounting screws of the attachment with the specified torque.
Tightening the screws with a higher torque than the maximum may cause malfunction. In addition, tightening the screws with a lower torque can cause the displacement of the mounting position or in extreme conditions, detaching of the work piece.

Mounting attachment to the finger

The attachment should be mounted with the torque specified in the following table by screwing the bolt into the female mounting thread of the finger.

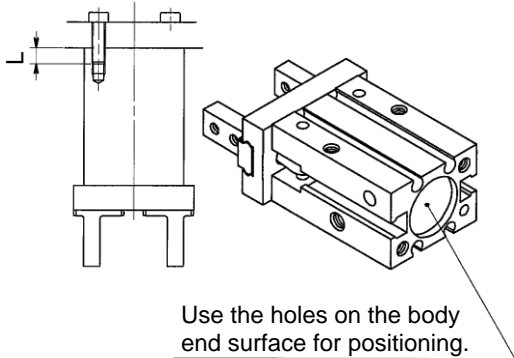


Model	Screw	Max. tightening torque (N·m)
MHZ2-10	M2.5x0.45	0.31
MHZ2-16	M3x0.5	0.59
MHZ2-20	M4x0.7	1.4
MHZ2-25	M5x0.8	2.8
MHZ2-32	M6x1	4.9
MHZ2-40	M8 x 1.25	11.8

5. Tighten the screw within the specified torque range when mounting the air gripper.
Tightening with a torque above the limit can cause malfunction, while insufficient tightening can cause slippage and dropping.

Mounting Gripper

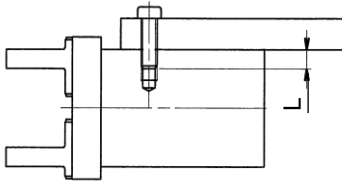
Axial mounting (Body tapped)



Model	Screw	Max. tightening torque (N·m)	Max. thread depth (L mm)	Hole diameter (mm)	Hole depth (mm)
MHZ2-10	M3 x 0.5	0.88	6	$\varnothing 11H9^{+0.043}_0$	2
MHZ2-16	M4x0.7	2.1	8	$\varnothing 17H9^{+0.043}_0$	2
MHZ2-20	M5 x 0.8	4.3	10	$\varnothing 21H9^{+0.052}_0$	3
MHZ2-25	M6x1	7.3	12	$\varnothing 26H9^{+0.052}_0$	3.5
MHZ2-32	M6x1	7.9	13	$\varnothing 34H9^{+0.062}_0$	4
MHZ2-40	M8x1.25	17.7	17	$\varnothing 42H9^{+0.062}_0$	4

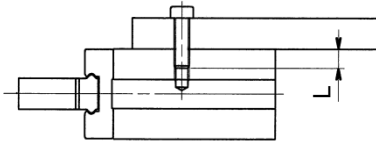
Refer to the catalog for the detail of the positioning pin hole dimension.

Vertical mounting (Body tapped)



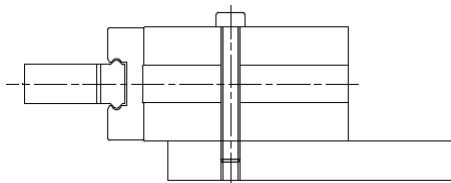
Model	Screw	Max. tightening torque (N·m)	Maximum screw-in depth (L mm)
MHZ2-10	M3 x 0.5	0.9	6
MHZ2-16	M4x0.7	1.6	4.5
MHZ2-20	M5 x 0.8	3.3	8
MHZ2-25	M6x1	5.9	10
MHZ2-32	M6x1	5.9	10
MHZ2-40	M8 x 1.25	13.7	13

Side mounting (Body tapped)



Model	Screw	Max. tightening torque (N·m)	Maximum screw-in depth (L mm)
MHZ2-10	M3 x 0.5	0.69	5
MHZ2-16	M4x0.7	2.1	8
MHZ2-20	M5 x 0.8	4.3	10
MHZ2-25	M6x1	7.3	12
MHZ2-32	M6x1	7.9	13
MHZ2-40	M8 x 1.25	17.7	16

Horizontal mounting (Body tapped)



Model	Screw	Max. tightening torque (N·m)
MHZ2-10	M2.5x0.45	0.49
MHZ2-16	M3 x 0.5	0.88
MHZ2-20	M4x0.7	2.1
MHZ2-25	M5 x 0.8	4.3
MHZ2-32	M5 x 0.8	4.3
MHZ2-40	M6x1	7.3

Note) If auto switches D-Y59, D-Y69, or D-Y7P are used, or the auto switch is mounted to the corner of the body, only a tapped body can be used.

See the table above for the maximum screw-in depth to avoid pushing the switch by the bolt end.

⚠ Caution

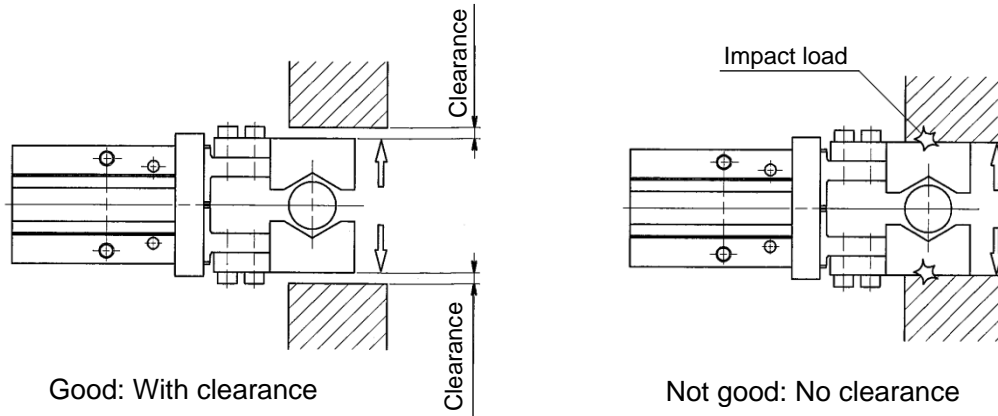
1. Avoid twisting the gripper when mounting an attachment.

Any damage to the gripper may cause malfunction and reduce the accuracy.

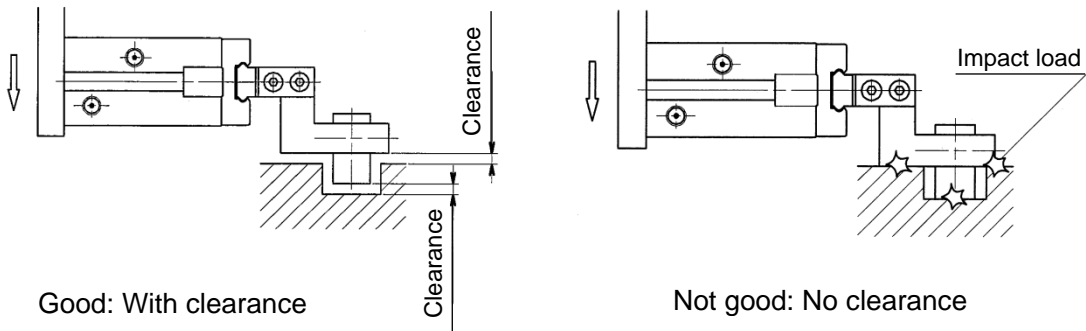
2. Avoid external force to fingers.

Fingers may be damaged by a continual lateral or impact load. Provide clearance to prevent the workpiece or the attachment from striking against any object at the stroke end.

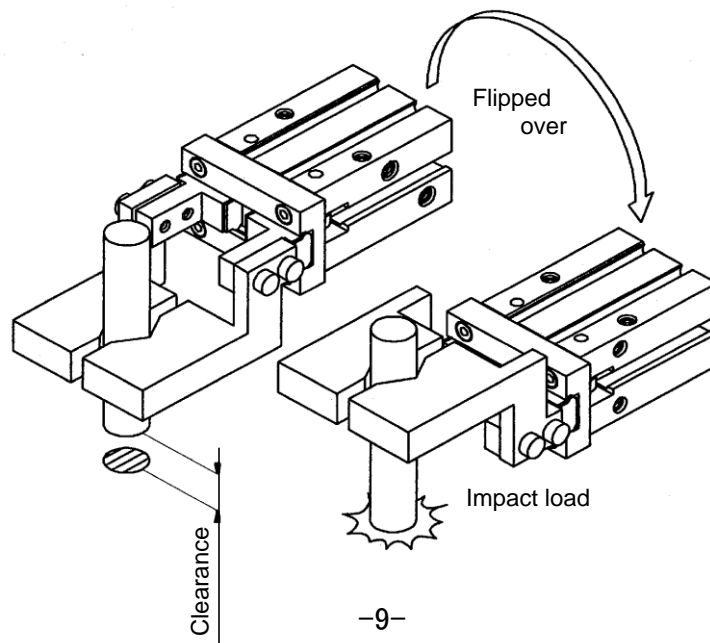
1. Stroke end when fingers are opened



2. Stroke end when gripper is moving

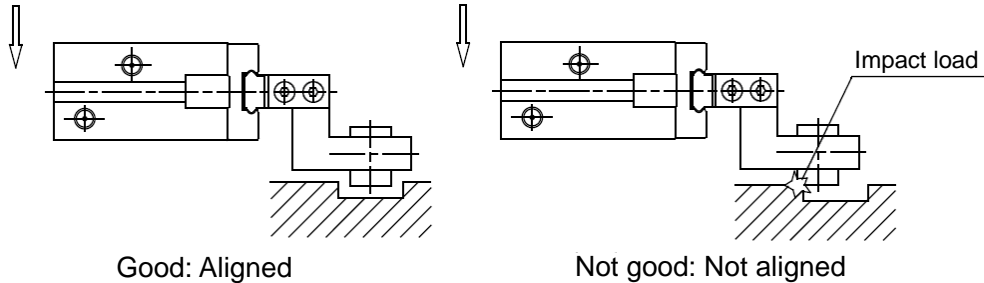


3. When turning over



3. Adjust the gripping point so that an excessive force will not be applied to the fingers when inserting a workpiece.

Confirm that the gripper can operate without receiving any shock by testing it in manual operation mode or by low speed operation.



4. Control the opening/closing speed with the speed controller to avoid excessive high speed operation.

If the finger opening/closing speed is greater than necessary, impact forces on the fingers and other parts will increase. This can cause a loss of repeatability when gripping a workpiece and have an adverse effect on the life of the gripper unit.

Example of Using SMC's Speed Controller

Double acting	For a cylinder with an inner diameter of $\varnothing 10$, connect 2 speed controllers in a meter-in state or 1 dual speed controller. If the cylinder has bore size of $\varnothing 16$ or larger, connect 2 speed controllers in a meter-out state.
Single acting	Connect one speed controller, then adjust the speed with the meter-in control or dual speed controller.

<Applicable Speed controller>

Air gripper mounted type: AS1211F-M3, AS1201F-M5, etc.

Piping type: AS1000 series, AS1002F, etc.

2-4. Air supply

Warning

1. Please consult with SMC when using the product in applications other than compressed air.
2. Compressed air containing a large amount of condensate can cause malfunction of pneumatic equipment. An air dryer or water droplet separator should be installed upstream from filters.
3. If condensate in the drain bowl is not emptied on a regular basis, the condensate will overflow and allow it to enter the compressed air lines. This will cause a malfunction of pneumatic equipment. If the drain bowl is difficult to check and remove, installation of a drain bowl with an auto drain option is recommended.
4. Use clean air.
Do not use compressed air that contains chemicals, synthetic oils including organic solvents, salt or corrosive gases, etc., as it can cause damage or malfunction.
For detailed information regarding the quality of the compressed air described above, refer to SMC's "Air Cleaning Systems".

Caution

1. When extremely dry air is used as the fluid, degradation of the lubrication properties inside the equipment may occur, resulting in reduced reliability (or reduced service life) of the equipment. Please consult with SMC.
2. Install an air filter.
Install an air filter upstream near the valve. A filtration degree of 5µm or less should be selected.
3. Install an aftercooler, air dryer or drain catch before the filter and take appropriate measures.
Compressed air that contains excessive foreign material may cause malfunction of valves and other pneumatic equipment.
Install an aftercooler, air dryer or drain catch before the filter and take appropriate measures.
4. Use the product within the specified fluid and ambient temperature range.
When operating at temperatures 5°C or lower, water in the circuit may freeze and cause breakage of seals or malfunction. Measures should be taken to prevent freezing.
For detailed information regarding the quality of the compressed air described above, refer to SMC's "Air Cleaning Systems".

2-5. Piping

Caution

1. Refer to the Fittings and Tubing Precautions (Best Pneumatics) for handling one touch fittings.
2. Before piping
Before piping is connected, flush thoroughly with air or wash to remove chips, cutting oil and other debris from inside the pipe.

2-6. Operating environment

Warning

1. Do not use in an environment where corrosive gases, chemicals, sea water, water or steam are present.
Refer to the construction drawings regarding the air chuck materials.
2. Do not use in direct sunlight.
3. Do not operate in a location subject to vibration or impact.
4. Do not mount the product in locations where it is exposed to radiant heat.
5. Do not use this product in an area that is dusty, or in an environment in which water or oil splashes on the cylinder.

2-7. Lubrication

Caution

1. The non-lube type air gripper is lubricated at the factory, and can be used without any further lubrication.
If a lubricant is used in the system, use turbine oil Class 1 (with no additive) ISO VG32. Furthermore, once lubrication is applied, it must be continued.
If lubrication is later stopped, malfunction can occur due to loss of the original lubricant. Refer to the Material Safety Data Sheet (MSDS) of the hydraulic fluid when supplying the fluid.

3. Maintenance

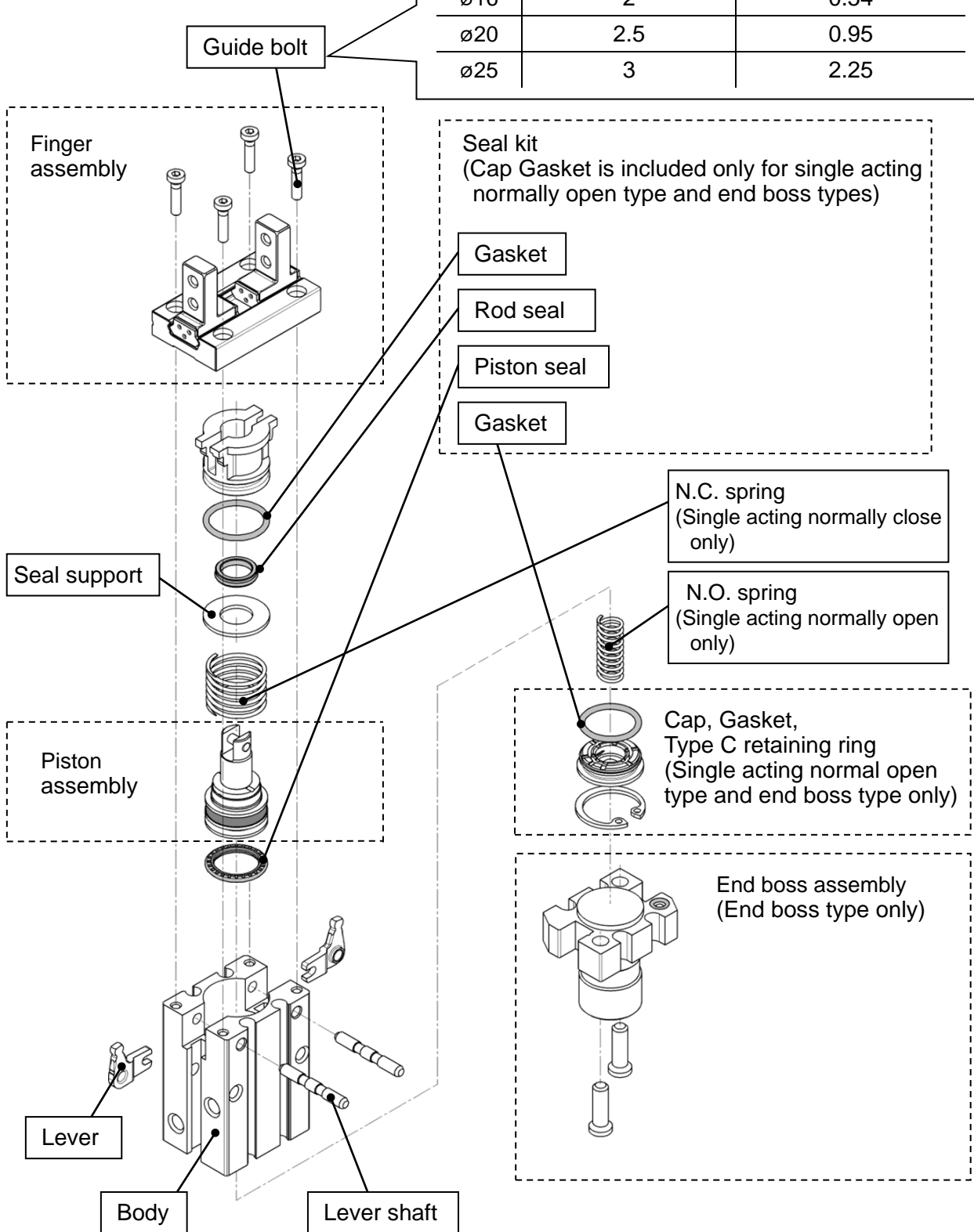
3-1. Precautions

Warning

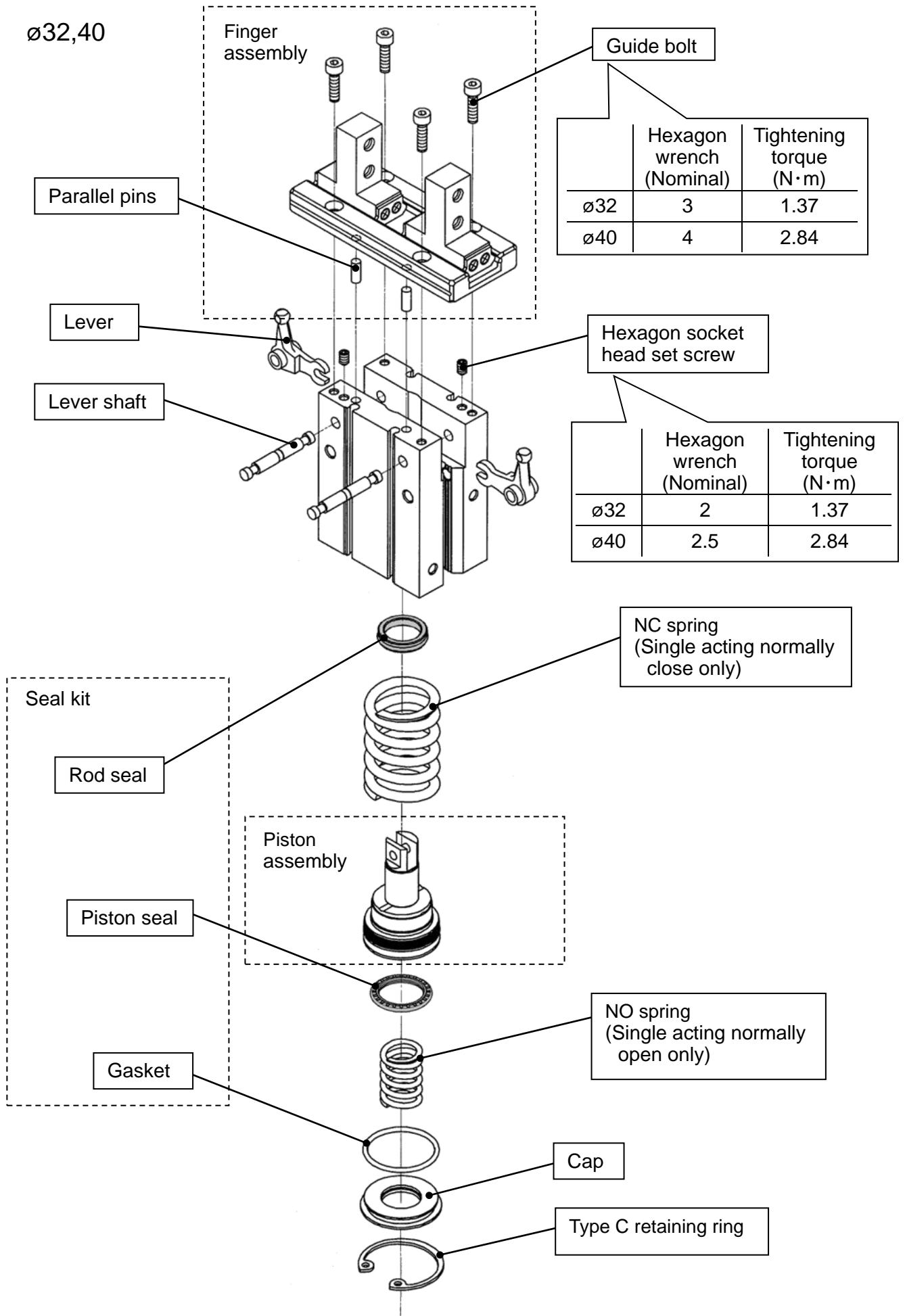
1. Maintenance should be performed according to the procedure indicated in the Operation Manual.
If handled improperly, malfunction and damage of machinery of equipment may occur.
2. If handled improperly, compressed air can be dangerous. Assembly, handling, repair and element replacement of pneumatic systems should be performed by a knowledgeable and experienced person.
3. Remove drainage moisture from air filters regularly.
4. When components are removed, first confirm that measures are in place to prevent any workpieces from dropping, run-away of equipment, etc. Then cut off the supply pressure and electric power, and exhaust all compressed air from the system using the residual pressure release function.
Turn off the power supply, stop the air supply and exhaust all compressed air from the system.
5. Do not allow people to enter or place objects in the carrying path of the air gripper.
This can cause an injury or accident.
6. Do not put hands, etc. in between the air gripper fingers or attachments.
This can cause an injury or accident.
7. When removing the air gripper, first confirm that no workpieces are being held and then release the compressed air before removing the air gripper.
If a workpiece is still being held, there is a danger of it being dropped.

3-2. Disassembly drawing
 $\varnothing 10$ to 25

	Hexagon wrench (Nominal)	Tightening torque (N·m)
$\varnothing 10$	1.5	0.27
$\varnothing 16$	2	0.54
$\varnothing 20$	2.5	0.95
$\varnothing 25$	3	2.25



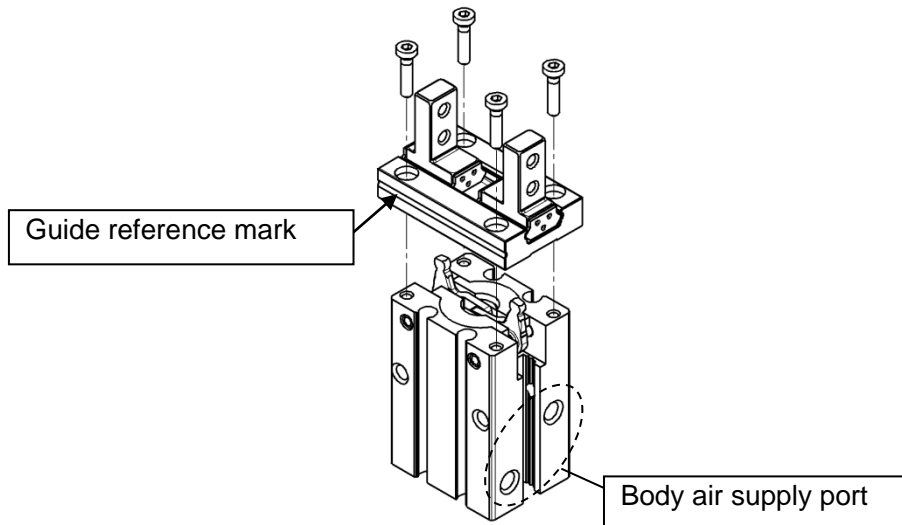
ø32,40



3-3. Finger assembly set replacement procedure

Ø10 to 25

- (1) Direction of the body of the drawing below is recommended for mounting the finger assembly to the body.

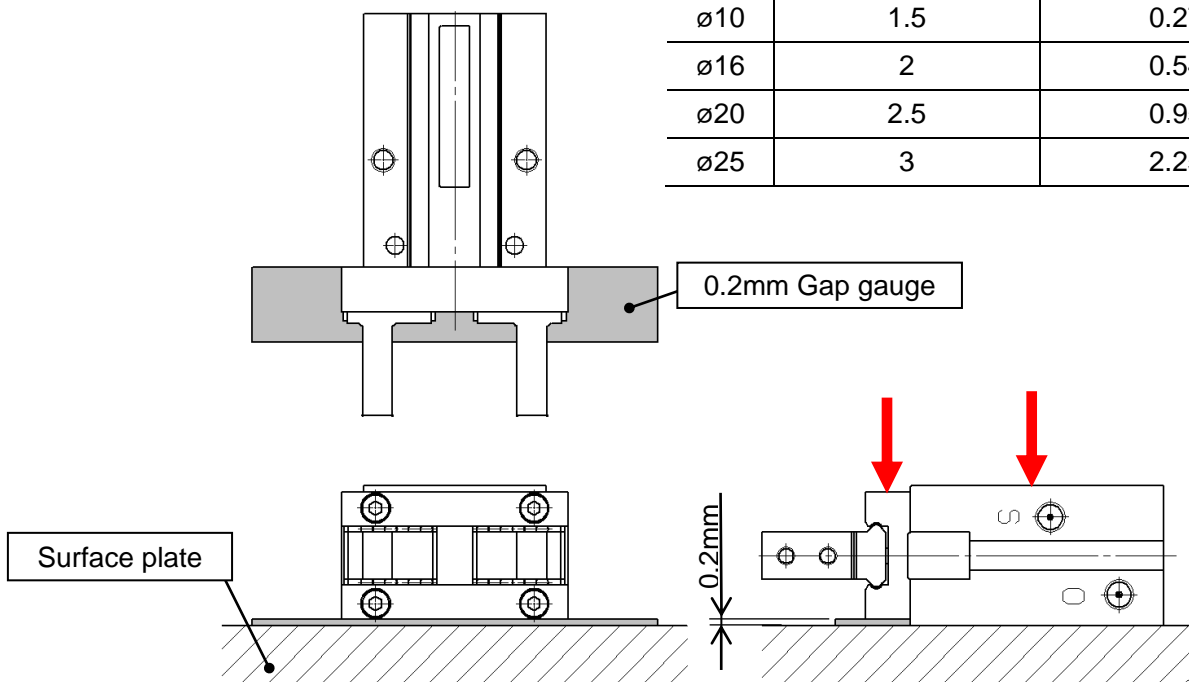


Note) The old model has two positioning pins at the joint of the body and guide. These pins are not necessary. Please remove them.

- (2) The guide may be displaced during tightening of the guide bolts. In order to avoid the displacement, insert the 0.2mm of gap gauge near the guide reference mark and press the guide and body to the surface plate.

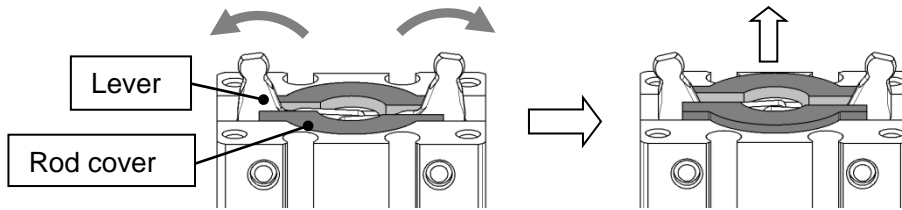
With across flat of the guide bolt and tightening torque

	Width across flats (Nominal)	Tightening torque (N·m)
ø10	1.5	0.27
ø16	2	0.54
ø20	2.5	0.95
ø25	3	2.25

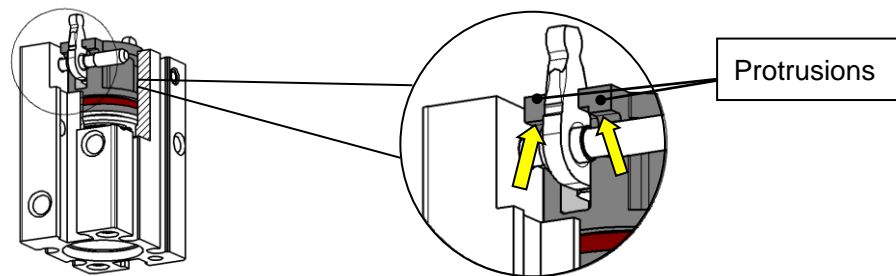


3-4. Seal replacement procedure Ø10 to 25

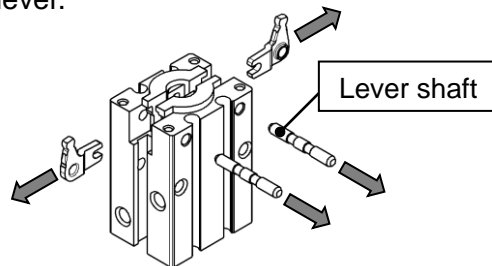
- (1) Loosen the guide bolts and remove the finger assembly.
- (2) Open the lever and have the rod cover come out of the body end surface.



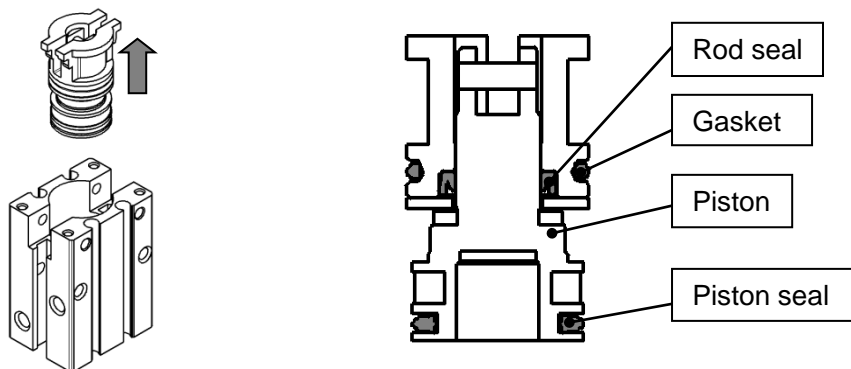
- (3) Push the protrusions of the rod cover to have the rod cover pop out.



- (4) Remove the lever shaft and lever.



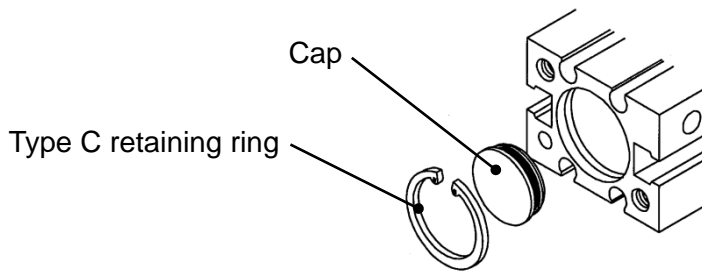
- (5) Pull out the piston assembly and replace the seal.



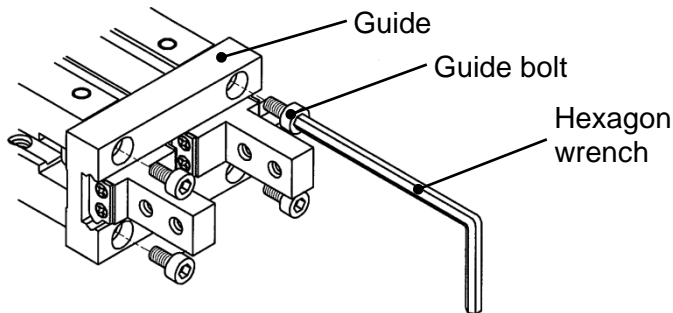
Assembly should be performed by following the removal procedure in reverse.
 Refer to the disassembly drawing for the tightening torque for the guide bolt.
 Use a specified grease. Specified grease pack part number: GR-S-010(10g)
 When the O-ring for single acting normal open type or end boss type cap is replaced, it is necessary to remove the Type C retaining ring.

ø32, 40

1. Remove the retaining ring using the special tool and remove the cap.



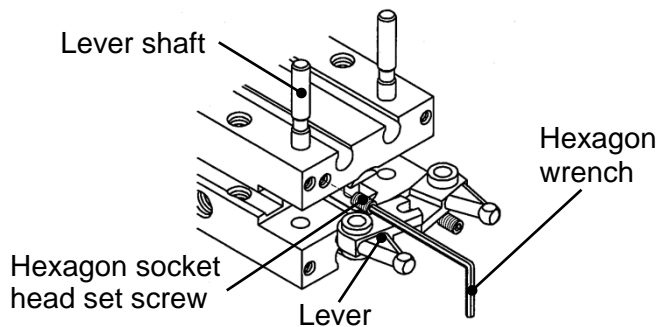
2. Loosen the guide bolts and remove the guide.



Hexagon wrench size

	Nominal
ø32	3
ø40	4

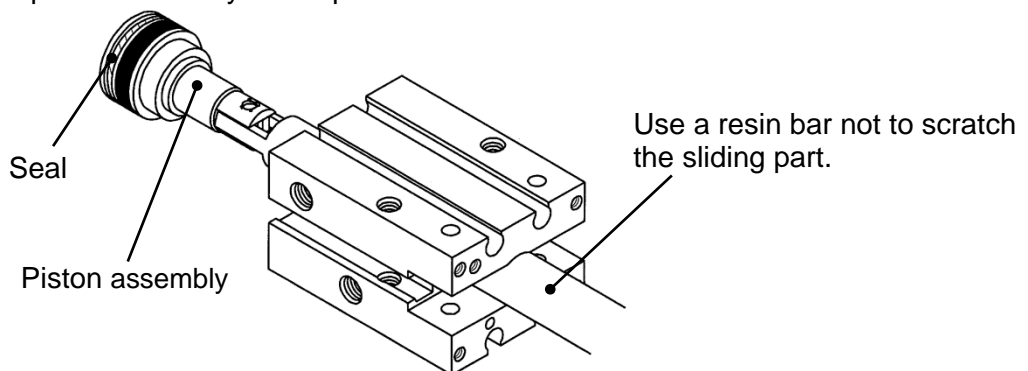
3. Loosen the guide bolts, and pull out the lever shaft to move the lever.



Hexagon wrench size

	Nominal
ø32	2
ø40	2.5

4. Remove the piston assembly and replace the seal.



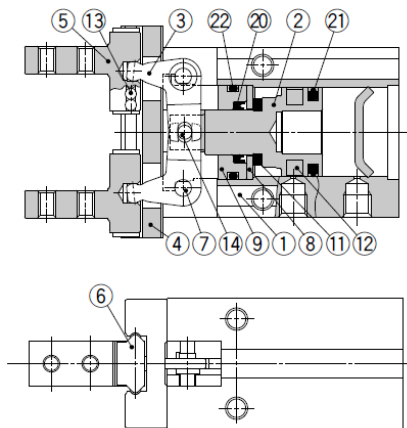
Assembly should be performed by following the removal procedure in reverse. Refer to the disassembly drawing for the tightening torque for the guide bolt and hexagon socket head set screws.

Use a specified grease.

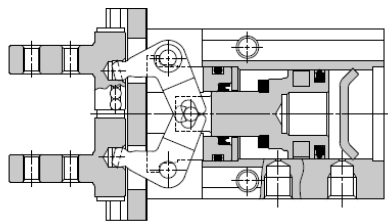
Specified grease pack part number: GR-S-010(10g)

3-5. Construction / Parts list, seal list Ø10 to 25

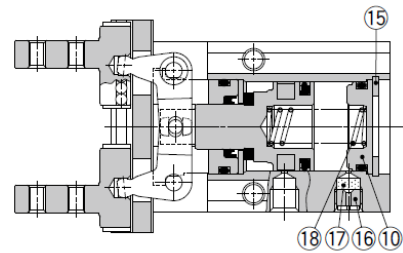
Double acting/ With Fingers open



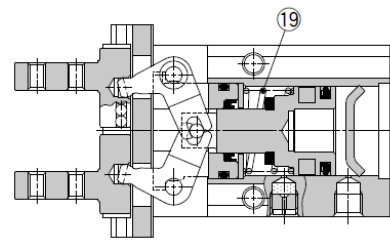
Double acting / With Fingers closed



Single acting / Normal open



Single acting / Normal closed



Components

No.	Description	Material	Remarks
1	Body	Aluminum alloy	Hard anodized
2	Piston	ø10, ø16: Stainless steel ø20, ø25: Aluminum alloy	ø20, ø25: Hard anodized
3	Lever	Stainless steel	Nitriding
4	Guide	Stainless steel	Heat treatment
5	Finger	Stainless steel	Heat treatment
6	Roller stopper	Stainless steel	
7	Lever shaft	Stainless steel	Nitriding
8	Seal support.	Stainless steel	
9	Rod cover	Synthetic resin	
10	Cap	Synthetic resin	Single acting normal open only
11	Bumper	Urethane rubber	
12	Rubber magnet	Synthetic rubber	

No.	Description	Material	Remarks
13	Steel ball	High carbon chrome bearing steel	Heat treated
14	Needle roller	High carbon chrome bearing steel	Heat treated
15	Type C retaining ring	Carbon steel	Phosphate coated Single acting normal open only
16	Exhaust plug A	Brass	Electroless nickel plated
17	Exhaust filter A	Polyvinyl formal	
18	NO spring	Stainless steel wire for spring	Single acting normal open only
19	NC spring	Stainless steel wire for spring	Single acting normal close only
20	Rod seal	NBR	
21	Piston seal	NBR	
22	Gasket	NBR	

Replacement parts

Description		MHZ2-10	MHZ2-16	MHZ2-20	MHZ2-25	Main part
Seal kit	MHZ2-□□D□ MHZ2-□□C□	MHZ10-PS	MHZ16-PS	MHZ20-PS	MHZ25-PS	20,21,22
	MHZ2-□□S□	MHZ10S-PS	MHZ16S-PS	MHZ20S-PS	MHZ25S-PS	20,21,22
	MHZ2-□□□(N)	MHZ-AA1002(N)	MHZ-AA1602(N)	MHZ-AA2002(N)	MHZ-AA2502(N)	4,5,6,13 Mounting screw
MHZ2-□□□(N)1	MHZ-AA1002(N)-1	MHZ-AA1602(N)-1	MHZ-AA2002(N)-1	MHZ-AA2502(N)-1		
MHZ2-□□□(N)2	MHZ-AA1002(N)-2	MHZ-AA1602(N)-2	MHZ-AA2002(N)-2	MHZ-AA2502(N)-2		
	MHZ2-□□□3	MHZ-AA1002-3	MHZ-AA1602-3	MHZ-AA2002-3	MHZ-AA2502-3	
Piston assembly		MHZ-AA1003	MHZ-AA1603	MHZ-AA2003	MHZ-AA2503	2,11,12,14
End boss assembly	MHZ2-□□D□W	MHZ-A1007	MHZ-A1607	MHZ-A2007	MHZ-A2507	Adapter Mounting thread for the adapter Seal
	MHZ2-□□□□K	MHZ-A1008	MHZ-A1608	MHZ-A2008	MHZ-A2508	
	MHZ2-□□□□M	MHZ-A1009	MHZ-A1609	MHZ-A2009	MHZ-A2509	
	MHZ2-□□□□E	MHZ-A1010	MHZ-A16010	MHZ-A2010	MHZ-A2510	
Lever assembly		MHZ-AA1004	MHZ-AA1604	MHZ-AA2004	MHZ-AA2504	3

* Finger option: 1= Side tapped, 2= Through hole, 3= Flat type fingers

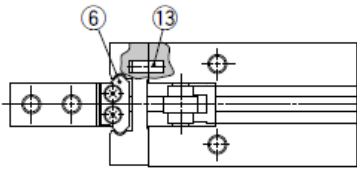
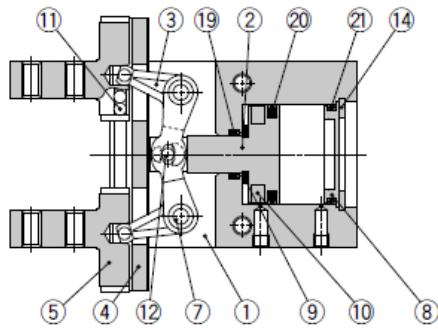
* End boss type: W= One-touch-fitting for coaxial tubing, K= With One-touch fitting, M= With M5 port, E= Side ported

* The end boss assembly other than type E should be mounted on the special body.

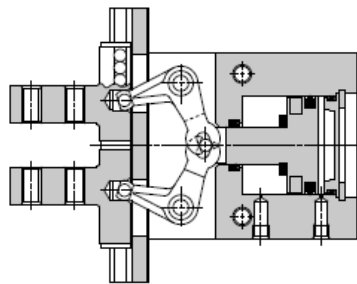
Replacement part/Grease pack part no.: GR-S-010 (10 g)

ø32, 40

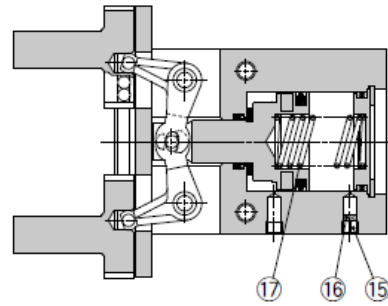
Double acting / With Fingers open



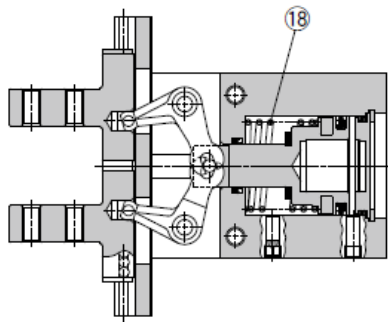
Double acting / With Fingers closed



Single acting / Normal open



Single acting / Normal closed



Components

No.	Description	Material	Remarks
1	Body	Aluminum alloy	Hard anodized
2	Piston	Aluminum alloy	Hard anodized
3	Lever	Stainless steel	Heat treated
4	Guide	Stainless steel	Heat treated
5	Finger	Stainless steel	Heat treated
6	Roller stopper	Stainless steel	
7	Lever shaft	Stainless steel	Nitriding
8	Cap	Aluminum alloy	Clear anodized
9	Bumper	Urethane rubber	
10	Rubber magnet	Synthetic rubber	
11	Steel ball	High carbon chromium bearing steel	Heat treated

No.	Description	Material	Remarks
12	Needle roller	High carbon chromium bearing steel	Heat treated
13	Parallel pins	Stainless steel	
14	Type C retaining ring	Carbon steel	Phosphate coated
15	Exhaust plug A	Brass	Electroless nickel plating
16	Exhaust filter A	Polyvinyl formal	
17	NO spring	Stainless steel wire for spring	Single acting normal open only
18	NC spring	Stainless steel wire for spring	Single acting normal close only
19	Rod seal	NBR	
20	Piston seal	NBR	
21	Gasket	NBR	

Replacement parts

Description		MHZ2-32	MHZ2-40	Main part
Seal kit		MHZ32-PS	MHZ40-PS	19,20,21
Finger assembly	MHZ2-□□□	MHZ-A3202	MHZ-A4002	4,5,6,11,13 Mounting screw
	MHZ2-□□□1	MHZ-A3202-1	MHZ-A4002-1	
	MHZ2-□□□2	MHZ-A3202-2	MHZ-A4002-2	
Piston assembly	MHZ2-□□□3	MHZ-A3202-3	MHZ-A4002-3	2,9,10,12
	MHZ2-□□D□	MHZ-A3203	MHZ-A4003	
	MHZ2-□□S□	MHZ-A3203S	MHZ-A4003S	
Lever assembly		MHZ-A3204	MHZ-A4004	3

* Finger option: 1= Side tapped, 2= Through hole, 3= Flat type fingers

Replacement parts/ Grease pack part no.: GR-S-010 (10g)

Revision history

SMC Corporation

4-14-1, Sotokanda, Chiyoda-ku, Tokyo 101-0021 JAPAN

Tel: + 81 3 5207 8249 Fax: +81 3 5298 5362

URL <https://www.smcworld.com>