



Operation Manual

PRODUCT NAME

AIR COMBINATION

MODEL/ Series

AC10(A,B)-✕-A

AC20(A,B,C,D)-✕-B

AC25(B,C)-✕-B

AC30(A,B,C,D)-✕-B

AC40(A,B,C,D)-✕-B

AC50(A,B)-✕-B

AC55(B)-✕-B

AC60(A,B)-✕-B

SMC Corporation

Contents

	PAGE
1. PRECAUTION FOR SAFETY	1~8
2. APPLICATION	9
3. SPECIFICATIONS	9
4. SERIESMAP AND COMBINATION OF EQUIPMENT	10
5. HOW TO ORDER	11~18
6. ATTACHMENTS / ACCESSORIES (OPTIONS) PART NUMBER	19
7. TROUBLE SHOOTING	19
8. SPARE PARTS LIST	19
9. HOW TO REPLACE	20
10. DISASSEMBLY DRAWING	21~22
11. DIMENSIONS	23~27



AIR COMBINATION Safety Instructions

These safety instructions are intended to prevent hazardous situations and/or equipment damage. These instructions indicate the level of potential hazard with the labels of "Caution," "Warning" or "Danger." They are all important notes for safety and must be followed in addition to International Standards (ISO/IEC), Japan Industrial Standards (JIS)^{*1)} and other safety regulations^{*2)}.

- *1) ISO 4414: Pneumatic fluid power -- General rules relating to systems
ISO 4413: Hydraulic fluid power -- General rules relating to systems
IEC 60204-1: Safety of machinery -- Electrical equipment of machines (Part 1: General requirements)
ISO 10218-1992: Manipulating industrial robots -- Safety
JIS B 8370: General rules for pneumatic equipment.
JIS B 8361: General rules for hydraulic equipment.
JIS B 9960-1: Safety of machinery -- Electrical equipment for machines. (Part 1: General requirements)
JIS B 8433-1993: Manipulating industrial robots - Safety. etc.

*2) Labor Safety and Sanitation Law, etc.



Caution

Operator error could result in injury or equipment damage.



Warning

Operator error could result in serious injury or loss of life.



Danger

In extreme conditions, there is a possibility of serious injury or loss of life.



Warning

1. The compatibility of the product is the responsibility of the person who designs the equipment or decides its specifications.

Since the product specified here is used under various operating conditions, its compatibility with specific equipment must be decided by the person who designs the equipment or decides its specifications based on necessary analysis and test results.

The expected performance and safety assurance of the equipment will be the responsibility of the person who has determined its compatibility with the product.

This person should also continuously review all specifications of the product referring to its latest catalog information, with a view to giving due consideration to any possibility of equipment failure when configuring the equipment.

2. Only personnel with appropriate training should operate machinery and equipment.

The product specified here may become unsafe if handled incorrectly.

The assembly, operation and maintenance of machines or equipment including our products must be performed by an operator who is appropriately trained and experienced.

3. Do not service or attempt to remove product and machinery/equipment until safety is confirmed.

The inspection and maintenance of machinery/equipment should only be performed after measures to prevent falling or runaway of the driven objects have been confirmed.

When the product is to be removed, confirm that the safety measures as mentioned above are implemented and the power from any appropriate source is cut, and read and understand the specific product precautions of all relevant products carefully.

Before machinery/equipment is restarted, take measures to prevent unexpected operation and malfunction.

4. Contact SMC beforehand and take special consideration of safety measures if the product is to be used in any of the following conditions.

1) Conditions and environments outside of the given specifications, or use outdoors or in a place exposed to direct sunlight.

2) Installation on equipment in conjunction with atomic energy, railways, air navigation, space, shipping, vehicles, military, medical treatment, combustion and recreation, or equipment in contact with food and beverages, emergency stop circuits, clutch and brake circuits in press applications, safety equipment or other applications unsuitable for the standard specifications described in the product catalog.

3) An application which could have negative effects on people, property, or animals requiring special safety analysis.

4) Use in an interlock circuit, which requires the provision of double interlock for possible failure by using a mechanical protective function, and periodical checks to confirm proper operation.



AIR COMBINATION

Safety Instructions

Caution

The product is provided for use in manufacturing industries.

The product herein described is basically provided for peaceful use in manufacturing industries.

If considering using the product in other industries, consult SMC beforehand and exchange specifications or a contract if necessary.

If anything is unclear, contact your nearest sales branch.

Limited warranty and Disclaimer / Compliance Requirements

The product used is subject to the following “Limited warranty and Disclaimer” and “Compliance Requirements”.

Read and accept them before using the product.

Limited warranty and Disclaimer

The warranty period of the product is 1 year in service or 1.5 years after the product is delivered, whichever is first.

Also, the product may have specified durability, running distance or replacement parts. Please consult your nearest sales branch.

For any failure or damage reported within the warranty period which is clearly our responsibility, a replacement product or necessary parts will be provided.

This limited warranty applies only to our product independently, and not to any other damage incurred due to the failure of the product.

Prior to using SMC products, please read and understand the warranty terms and disclaimers noted in the specified catalog for the particular products.

Compliance Requirements

The use of SMC products with production equipment for the manufacture of weapons of mass destruction(WMD) or any other weapon is strictly prohibited.

The exports of SMC products or technology from one country to another are governed by the relevant security laws and regulation of the countries involved in the transaction. Prior to the shipment of a SMC product to another country, assure that all local rules governing that export are known and followed.

Precautions for design

WARNING

○ Air combination

- ① Consult SMC if no leakage is allowed due to the environment, or operating fluid is not air.
- ② External parts including the bonnet (material: polyacetal), bowl, sight dome (material: polycarbonate) are made of resin. Organic solvents including synthetic fluid, chemicals including acetone, alcohol, ethylene chloride, sulphuric acid, nitrate, hydrochloric acid, cutting oil, kerosene, gasoline, lock material of screw are harmful. Do not use the products where containing those.

Effects organic solvents and chemicals, and where these elements are likely to adhere to the equipment.

Chemical data for substances causing degradation (Reference)

Type	Chemical name	Application examples	Material	
			Polycarbonate	Nylon
Acid	Hydrochloric acid Sulphuric acid, Phosphoric acid Chromic acid	Acid washing liquid for metals	△	×
Alkaline	Sodium hydroxide (Caustic soda) Potash Calcium hydroxide (Slack lime) Ammonia water Carbonate of soda	Degreasing of metals Industrial salts Water-soluble cutting oil	×	○
Inorganic salts	Sodium sulphide Sulphate of potash Sulphate of soda	—	×	△
Chlorine solvents	Carbon tetrachloride Chloroform Ethylene chloride Methylene chloride	Cleaning liquid for metals Printing ink Dilution	×	△
Aromatic series	Benzene Toluene Paint thinner	Coatings Dry cleaning	×	△
Ketone	Acetone Methyl ethyl ketone Cyclohexane	Photographic film Dry cleaning Textile industries	×	×
Alcohol	Ethyl alcohol IPA Methyl alcohol	Antifreeze Adhesives	△	×
Oil	Gasoline Kerosene	—	×	○
Ester	Phthalic acid dim ethyl Phthalic acid diethyl Acetic acid	Synthetic oil Anti-rust additives	×	○
Ether	Methyl ether Ethyl ether	Brake oil additives	×	○
Amino	Methyl amino	Cutting oil Brake oil additives Rubber accelerator	×	×
Other	Thread -lock fluid Seawater Leak tester	—	×	△

○ : Essentially safe. △ : Some effects may occur. × : Effects will occur.

When the above factors are present, or there is some doubt, use a metal case for safety.

- ③ Protect from ultra violet ray and radiation heat by shield.

○ Air filter, Lubricator, Filter-regulator and Mist separator

- ① Avoid the application where charge and discharge of pressure to bowl is switched frequently. This may damage the bowl. A metal bowl is recommended in these cases.

○ Regulator and Filter-regulator

- ① A safety device needs to be installed if output pressure is exceeding the set pressure, otherwise this can cause the breakage of outlet device and equipment or malfunction.

⚠ CAUTION

○ Air filter, Filter-regulator and Mist separator

- ① AD17-A and AD27-A with auto drain may leak during exhaust of pressure. (This leakage is allowed in their constructions and not failure.) Be sure to connect piping for drain.

○ Regulator and Filter-regulator

- ① Air consumption from release port is 0.1L/min(ANR) or less.

Selection

⚠ WARNING

○ Air combination

- ① Mineral grease used on internal surfaces and packing may leak to the outlet. Please contact SMC if this is a problem.

○ Air filter, Filter-regulator and Mist separator

- ① N.O type auto drain should be used under the following requirements to avoid operating failure.
Output of compressor: 0.75kW or more.
Discharged flow rate: 100L/ min (ANR) or more.
If multiple auto drains are used, confirm used compressor has capacity over the result of multiplying the above capacity and the number of used auto drains.
{For example, in case of two auto drain, the compressor need the capacity over 1.5kW [200L/ min (ANR)].}
Operating pressure: 0.1MPa or more at min..
- ② N.C. type auto drain should be used under the following requirements to avoid operating failure.
Operating pressure: 0.1MPa or more at min. for AD17-A and AD27-A, 0.15MPa or more at min. for AD37-A and AD47-A.

○ Regulator and Filter-regulator

- ① Residual pressure (outlet pressure) is not released even if releasing inlet pressure. Select the regulator with counter flow function. Without the function, residual pressure may not be eliminated.
- ② Long absence of operation or operation with outlet circuit sealed or balance circuit may cause pressure fluctuation in outlet set pressure. Please consult SMC if this is a problem.
- ③ Set pressure of outlet pressure shall be 85% or less of inlet pressure. Pressure over 85% makes operation susceptible to flow and inlet pressure which lead to cause unstable operation.
- ④ Maximum set pressure range in the spec. has margin. Pressure set may be higher than the maximum value.
- ⑤ If regulator is used with circuit which requires high exhaust sensitivity or set precision, please consult SMC.

○ Lubricator

- ① Consult SMC if using this product for purposes other than its primary use of lubricating air line equipment.
- ② The use at high frequency such as the use in press machine may damage internal components and cause operating failure of the equipment installed to secondary side. Contact SMC for such a use.
- ③ Small air consumption may prevent the oil from dropping. Confirm air flow necessary to produce the drops required for the correct amount of oil.
- ④ Do not supply the air from secondary side (reverse air flow). Otherwise, internal components may be damaged.
- ⑤ If piping is branched at inlet side, the oil may flow back. Avoid the reverse flow by installing a check valve (AKM series) to inlet side.

Installation

WARNING

○ Air combination

- ① Connect the product ensuring the direction of "1" (IN) and "2" (OUT) for air direction or an arrow. Wrong connection may cause malfunction.
- ② Install with enough space around each assembly component to perform regular maintenance and operation. The required space is shown on 「11. Dimensions」 (P20 to 24).

CAUTION

○ Air combination

- ① Do not drop or apply impact during transportation or installation. It will cause damage to the product or operation failure.
- ② Do not install in areas of high humidity or high temperature. The product cannot be used in the horizontal or upward directions outside of the specifications.
- ③ When using a hexagon socket head cap screw to wall mount an air combination, we recommend using a ballpoint screwdriver.

○ Air filter, Filter-regulator and Mist separator

- ① Install vertically so that outlet of drain would turned downward. Use with the outlet of drain turned horizontal or upward causes malfunction.

○ Lubricator

- ① Install the bowl vertically with bowl facing down. If it is inclined, dripping may not be confirmed.

Adjustment

WARNING

○ Regulator and Filter-regulator

- ① Adjust the pressure adjusting handle ensuring correct inlet pressure and outlet pressure. Excessive rotation may cause damage to internal parts.
- ② Operate the pressure adjusting handle manually. Tools may break the handle.

○ Lubricator

- ① Adjustment of the oil adjustment valve should be carried out manually. The use of tools, etc. can result in damage to the unit. (AL20-A to AL60-A)
- ② Turning the oil adjustment valve counterclockwise increases the dripping amount, and turning it clockwise reduces the dripping amount. From the fully closed position, three rotations will bring it to the fully open position. Please do not rotate it any further than this.
Note that the numbered scale markings are guidelines for adjusting the position, and not indicators of the dripping amount. (AL20-A to AL60-A)
- ③ On AL10-A, some dripping may occur even when needle is fully opened.

CAUTION

○ Regulator and Filter-regulator

- ① Check inlet pressure before setting up.
- ② Be sure to unlock the handle before adjusting the pressure and lock it after setting the pressure. Failure to follow this procedure can damage the handle and the outlet pressure may fluctuate.
 - Pull the pressure regulator handle to unlock. (You can visually verify this with the "orange mark" that appears in the gap.)
 - Push the pressure regulator handle to lock. When the handle is not easily locked, turn it left and right a little and then push it. (When the handle is locked, the "orange mark", i.e., the gap will disappear.)
- ③ For the regulator with the pressure gauge, do not apply pressure exceeding the maximum scale of the pressure gauge in order to protect the gauge.
- ④ Adjust pressure incrementally. Pressure may become lower than set pressure if adjusted by decreasing the value. Rotate the handle clockwise to raise the set pressure. Counterclockwise to reduce the pressure. Moreover, please lock the handle after setting pressure.
- ⑤ Outlet pressure may rise if eliminate the inlet pressure after pressure setting and supply pressure again. The pressure becomes close to the set pressure after air is consumed in outlet.

- ⑥ Outlet pressure may change if filter regulator is used for long periods. Please confirm set pressure regularly.

Piping

⚠ WARNING

○ Air combination

- ① Blow out or clean piping before piping to eliminate swarf, cutting oil, solid foreign material. Contamination of piping may cause damage or malfunction.
- ② When installing piping, avoid chips and sealing materials from piping screws entering the inside of equipment. Or malfunction may occur. When use sealing tapes, leave 1.5 to 2 threads of the end of thread exposed.
- ③ Hold the female screw side and screw in piping with recommended tightening torque. Insufficient tightening torque lead to cause loose piping or sealing failure. Excessive torque may lead to cause screw breakage. Tightening without holding female screw side applies excessive force to the piping bracket which lead to cause breakage.

Recommended torque	unit: N·m					
Screw	1/8	1/4	3/8	1/2	3/4	1
Torque	3 to 5	8 to 12	15 to 20	20 to 25	28 to 30	36 to 38

*For port size M5: After tightening fitting, tighten approx. 1/6 more by using tool.

- ④ Do not apply any torsional moment, or bending moment except the weight of the filter regulator itself. External piping needs to be supported separately. Hard piping like steel tube is susceptible to excessive moment load or vibration. Insert the flexible tube to cancel

○ Air filter, Filter-regulator and Mist separator

- ① Drain guide is not equipped with valve function. Be sure to connect piping for drain. No piping for drain allows the drain and compressed air to exhaust freely. Also, the piping should be performed with drain guide held by spanner to prevent breakage of bowl.
- ② The piping for drain from auto drain should be connected under the following requirements to avoid operating failure.
 - AD17, 27-A: I.D. $\phi 2.5$ ($\phi 3/32$ ") at min., Length 5m (200") at max.
 - AD37, 47(N)-A: I.D. $\phi 4$ ($\phi 3/16$ ") at min., Length 5m (200") at max.
 - AD38, 48(N)-A: I.D. $\phi 6.5$ ($\phi 1/4$ ") at min., Length 5m (200") at max.

⚠ CAUTION

○ Lubricator

- ① Avoid rising piping and piping branches on secondary side. Otherwise, lubricating failure may be caused.

Air Source

⚠ WARNING

○ Air combination

- ① Use clean air. Compressed air containing chemicals, organic solvent, synthetic oil or corrosive gas may lead to cause breakage of parts or malfunction.
- ② Air containing too much moisture may cause malfunction. Install the air drier or the aftercooler before the air combination.

Maintenance

⚠ WARNING

○ Air combination

- ① Maintenance and checks should be done by following the procedure in the operation manual. Incorrect handling of the product may cause breakage or malfunction of the equipment or device.

○ Air filter, Lubricator, Filter-regulator and Mist separator

- ① Perform periodical check to find cracks, flaw or other deterioration on the resin parts such as bowl or sight dome. If any of these are seen, a malfunction has occurred, replace with new parts. Investigate and review the operating conditions if necessary.
- ② Check for dirt in resin bowl periodically. If any dirt is seen, replace with new bowl. And if removing off the dirt by washing instead of using a replacement, never use washing material other than neutral detergent. Otherwise, the bowl is damaged.
- ③ Open and close drain cock manually. Open and close too much may damage the drain cock.

○ Air filter, Filter-regulator and Mist separator

- ① Replace the element before 2 years passed since purchase or pressure drop from initial outlet pressure reaches 0.1MPa. Or the element is broken.
- ② Drain the bowl by opening drain cock before the drain level in the bowl reaches baffle.

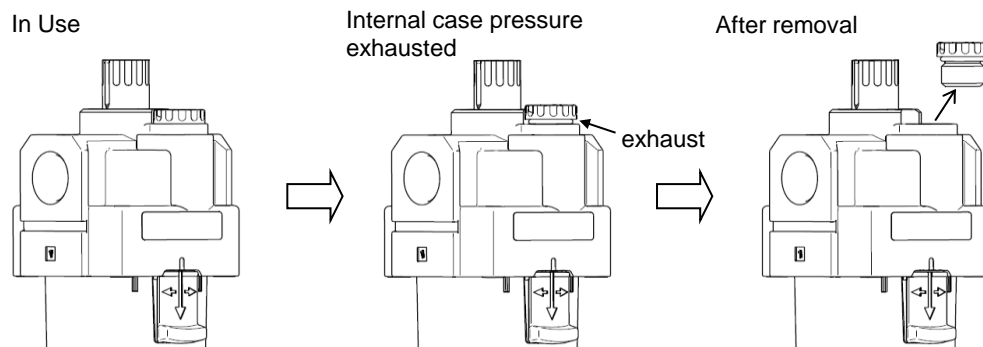
○ Lubricator

- ① Use class 1 turbine oil (without additives) ISO VG32. Using other lubricant can cause damage to devices and result in malfunction.
- ② In AL10-A and AL20-A series, lubrication during pressurization is not possible. Exhaust the inlet pressure and check that there is no pressure within the product. Supply oil after removing the oil supply plug.
- ③ The AL30-A to AL60-A have a slight leak from the inside of the case to the oil supply orifice. Loosen the oil supply plug one turn and wait a short time for pressure to release then remove the oil supply plug. As there is a slight leak from inside the case to the oil supply orifice, set the oil supply to "Max Level" slowly, while ensuring an oil film is not created over the oil supply orifice.

When removing the oil supply plug, pressure within the case will be released, so ensure that protective goggles are equipped.

After oil is supplied, after ensuring that it is correctly positioned, the oil supply "O" ring can be returned to its previous state by gently screwing it in.

(For tightening torque, see Operation Manual of Lubricator)



⚠ CAUTION

○ Regulator and Filter-regulator

- ① If the first operation is performed and defective setting and the exhaust leakage is found, it is likely there is foreign object in an internal valve seat part. Failure to remove these parts may cause damage to internal parts.

○ Air filter, Filter-regulator and Mist separator

- ① Rotate the handle counterclockwise (O←direction) to exhaust the condensate of the C1SF-A and C2SF(-C)-A.
Press the push button to exhaust the condensate of the C3SF(-W)-A and C4SF(-W)-A.
- ② Check the element periodically and replace it with a new one if necessary. If it is found that outlet pressure drops or the flow is restricted, check the condition of the element.
- ③ The manual exhaust for emergency case can be performed by counterclockwise rotation of the handle in AD17-A and AD27-A. (O←direction)
For AD37-A, AD38-A, AD47-A and AD48-A, rotate the drain cock counterclockwise in that case. (O←direction)

○ Lubricator

- ① Check the dripping amount once a day. Dripping failure may cause damage to lubricated objects.
- ② Use clean oil to avoid dripping failure.
- ③ The lubricating amount should be less than the upper limit of oil level.
- ④ Discharge drain to avoid that drain exceeds the upper limit of the air filter. Excessive drain in the lubricator may cause dripping failure.

2. APPLICATION

This product is used in combination with components which aim to eliminate a certain amount of water vapour and solid foreign material in the air line, lubricating and pressure controlling pneumatic products or solenoid valves.

3. SPECIFICATIONS

Model	AC10*-A	AC20*-B	AC25*-B	AC30*-B	AC40*-B	AC40*-06-B	AC50*-B	AC55*-B	AC60*-B	
Port size	M5x0.8	1/8, 1/4	1/4, 3/8		1/4, 3/8, 1/2		3/4	3/4, 1	1	1
Gauge port size ^{Note 1)}	1/16	1/8								
Fluid	Air									
Ambient and fluid temperature ^{Note 2)}	-5 to 60°C (Should be no freezing)									
Proof pressure	1.5 MPa									
Max. operating pressure	1.0 MPa									
Set pressure range	0.05 to 0.7 MPa	0.05 to 0.85 MPa								
Filtration / Air filter	5 µm									
Filtration / Mist separator	—	0.3 µm (Filtration efficiency 99.9%)								
Oil mist density on the secondary side	Max 1.0mg/m ³ (ANR) (≒0.8ppm) ^{Note3) Note4)}									
Rated flow ^{Note 5)} [L/min(ANR)]	AC**C-B	—	200	450	450	1100	1100	—	—	—
	AC**D-B	—	150	—	330	800	800	—	—	—
Recommended lubricant	Class 1 turbine oil (ISO VG32)									
Bowl material	Polycarbonate									
Bowl guard	—	Semi-standard (Steel plate)	Standard (Polycarbonate)							
Construction / Regulator	Relieving type									

Note 1) Pressure gauge connection threads are not available for F.R.L. unit with a square embedded type pressure gauge or with a digital pressure switch.

Note 2) -5 to 50°C for the products with the digital pressure switch.

Note 3) Conditions: Mist separator inlet pressure: 0.7 MPa (AC**C-B), 0.5MPa (AC**D-B). The rated flow varies depending on the inlet pressure.

Keep the air flow within the rated flow to prevent an outflow of lubricant to the outlet side

Note 4) When the compressor oil mist discharge concentration is 30 mg/m³ (ANR).

Note 5) Bowl seal and other O-rings are slightly lubricated.

Mass (kg)

* : Symbol	Nil	A	B	C	D
Model	(AC10-A/AC20~60-B)	(AC10A-A/AC20A~60A-B)	(AC10B-A/AC20B~60B-B)	(AC20C~40C-06-B)	(AC20D~40D-06-B)
AC10*-A	0.27	0.20	0.16	—	—
AC20*-B	0.39	0.33	0.27	0.38	0.32
AC25*-B	0.70	—	0.45	0.69	—
AC30*-B	0.78	0.63	0.53	0.77	0.62
AC40*-B	1.39	1.15	0.91	1.39	1.15
AC40*-06-B	1.53	1.25	0.99	1.53	1.25
AC50*-B	3.43	3.21	2.27	—	—
AC55*-B	3.71	—	2.40	—	—
AC60*-B	3.76	3.36	2.45	—	—

4. SERIESMAP AND COMBINATION OF EQUIPMENT

× : None applicable model

* : Symbol Model	Nil (AC10-A/AC20~60-B)	A (AC10A-A/AC20A~60A-B)	B (AC10B-A/AC20B~60B-B)	C (AC20C~40C-06-B)	D (AC20D~40D-06-B)
AC10*-A	AF10-A + AR10-A + AL10-A	AW10-A + AL10-A	AF10-A + AR10-A	×	×
AC20*-B	AF20-A + AR20-B + AL20-A	AW20-B + AL20-A	AF20-A + AR20-B	AF20-A + AFM20-A + AR20-B	AW20-B + AFM20-A
AC25*-B	AF30-A + AR25-B + AL30-A	×	AF30-A + AR25-B	AF30-A + AFM30-A + AR25-B	×
AC30*-B	AF30-A + AR30-B + AL30-A	AW30-B + AL30-A	AF30-A + AR30-B	AF30-A + AFM30-A + AR30-B	AW30-B + AFM30-A
AC40*-B	AF40-A + AR40-B + AL40-A	AW40-B + AL40-A	AF40-A + AR40-B	AF40-A + AFM40-A + AR40-B	AW40-B + AFM40-A
AC40*-06-B	AF40-06-A + AR40-06-B + AL40-06-A	AW40-06-B + AL40-06-A	AF40-06-A + AR40-06-B	AF40-06-A + AFM40-06-A + AR40-06-B	AW40-06-B + AFM40-06-A
AC50*-B	AF50-A + AR50-B + AL50-A	AW60-B + AL50-A	AF50-A + AR50-B	×	×
AC55*-B	AF60-A + AR50-B + AL60-A	×	AF60-A + AR50-B	×	×
AC60*-B	AF60-A + AR60-B + AL60-A	AW60-B + AL60-A	AF60-A + AR60-B	×	×

5. HOW TO ORDER

AC10 – M5 – – – A

1
2
3

- Option / Semi-standard : Select one each for **a** to **h**.
- Option / Semi-standard symbol : When more than one specification is required, indicate in alphanumeric order.

Example) AC10-M5CG-T-12NR-A

		Symbol	Description		
1	Option	a	Float type auto drain	Nil Without auto drain	
			C Note 1) N.C. (Normally closed) Drain port is closed when pressure is not applied.		
		b	Pressure gauge	Nil Without pressure gauge	
			G Note 2) Round type pressure gauge (without limit indicator)		
+					
2	Attachment (T-spacer) Note 3)	Nil Without attachment			
		T Mounting position : AF+T+AR+AL			
+					
3	Semi-standard	c	Set pressure Note 4)	Nil 0.05 to 0.7 MPa setting	
			1 0.02 to 0.2 MPa setting		
		+			
		d	Bowl Note 5)	Nil Polycarbonate bowl	
				2 Metal bowl	
				6 Nylon bowl	
		+			
		e	Lubricator lubricant exhaust port	Nil Without drain cock	
				3 Lubricator with drain cock	
		+			
		f	Exhaust mechanism	Nil Relieving type	
				N Non-relieving type	
+					
g	Flow direction	Nil Flow direction : Left to right			
		R Flow direction : Right to left			
+					
h	Pressure unit	Nil Name plate, caution plate for bowl, and pressure gauge in imperial units : MPa			
		Z Note 6) Name plate, caution plate for bowl, and pressure gauge in imperial units : psi, °F			

Note 1) When pressure is not applied, condensate which does not start the auto drain mechanism will be left in the bowl. Releasing the residual condensate before ending operations for the day is recommended.

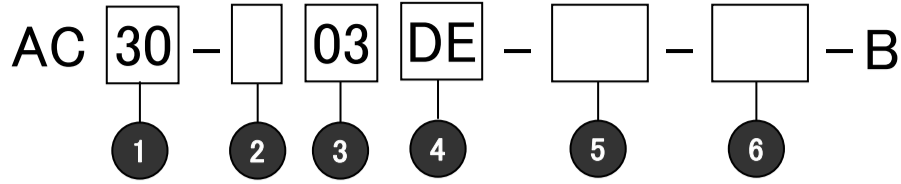
Note 2) A 1.0 MPa pressure gauge will be fitted. It is not assembled and supplied loose at the time of shipment.

Note 3) The bracket position varies depending on the T-spacer mounting.

Note 4) Pressure can be set higher than the specification pressure in some cases, but use pressure within the specification range.

Note 5) Refer to Chemical data on page 3 for chemical resistance of the bowl.

Note 6) This product is for overseas use only according to the new Measurement Law. (The SI unit type is provided for use in Japan.)



• Option / Semi-standard : Select one each for a to m.
 • Option / Attachment / Semi-standard symbol : When more than one specification is required, indicate in alphanumeric order.

Example) AC30-F03DE1-KSTV-136NR-B

		Symbol	Description	1								
				Body size								
				20	25	30	40	50	55	60		
2	Pipe thread type	Nil	Rc	●	●	●	●	●	●	●		
		N Note 1)	NPT	●	●	●	●	●	●	●		
		F Note 2)	G	●	●	●	●	●	●	●		
+												
3	Port size	01	1/8	●	—	—	—	—	—	—		
		02	1/4	●	●	●	●	—	—	—		
		03	3/8	—	●	●	●	—	—	—		
		04	1/2	—	—	—	●	—	—	—		
		06	3/4	—	—	—	●	●	—	—		
		10	1	—	—	—	—	●	●	●		
+												
4	Option	a	Float type auto drain	Nil	Without auto drain	●	●	●	●	●	●	
			C Note 4)	N.C. (Normally closed) Drain port is closed when pressure is not applied.	●	●	●	●	●	●	●	
			D Note 5)	N.O. (Normally open) Drain port is open when pressure is not applied.	—	●	●	●	●	●	●	
	+											
	b	Pressure gauge	Nil	Without pressure gauge	●	●	●	●	●	●	●	
			E	Square embedded type pressure gauge (with limit indicator)	●	●	●	●	●	●	●	
			G	Round type pressure gauge (with limit indicator)	●	●	●	●	●	●	●	
			M	Round type pressure gauge (with color zone)	●	●	●	●	●	●	●	
		Digital pressure switch	E1	Output: NPN output / Electrical entry: Wiring bottom entry	●	●	●	●	●	●	●	●
			E2	Output: NPN output / Electrical entry: Wiring top entry	●	●	●	●	●	●	●	●
			E3	Output: PNP output / Electrical entry: Wiring bottom entry	●	●	●	●	●	●	●	●
	E4		Output: PNP output / Electrical entry: Wiring top entry	●	●	●	●	●	●	●	●	
+												
5	Attachment	c	Check valve	Nil	Without attachment	●	●	●	●	●	●	
			K	Mounting position: AF+AR+K+AL	●	●	●	● Note 7)	—	—	—	
		+										
		d	Pressure switch	Nil	Without attachment	●	●	●	●	●	●	●
			S Note 8)	Mounting position: AF+AR+S+AL	●	●	●	●	●	●	●	●
		+										
		e	T-spacer	Nil	Without attachment	●	●	●	●	●	●	●
			T Note 8)	Mounting position: AF+T+AR+AL	●	●	●	●	●	●	●	●
+												
f	Pressure relief 3 port valve	Nil	Without attachment	●	●	●	●	●	●	●		
	V	Mounting position: AF+AR+AL+V	●	●	●	●	●	—	—	—		
+												
6	Semi-standard	g	Set pressure	Nil	0.05 to 0.85 MPa setting	●	●	●	●	●	●	
			1	0.02 to 0.2 MPa setting	●	●	●	●	●	●	●	
		+										
		h	Bowl	Nil	Polycarbonate bowl	●	●	●	●	●	●	●
				2	Metal bowl	●	●	●	●	●	●	●
				6	Nylon bowl	●	●	●	●	●	●	●
				8	Metal bowl with level gauge	—	—	—	—	—	—	—
				C	With bowl guard	●	— Note 11)	— Note 11)	— Note 11)	— Note 11)	— Note 11)	— Note 11)
				6C	With bowl guard (Nylon bowl)	●	— Note 12)	— Note 12)	— Note 12)	— Note 12)	— Note 12)	— Note 12)
		+										
		i	Air filter drain port	Nil	With drain cock	●	●	●	●	●	●	●
				J Note 14)	Drain guide 1/8	●	—	—	—	—	—	—
				W Note 15)	Drain cock with barb fitting (for φ 6 x φ 4 nylon tube)	—	●	●	●	●	●	●
				W Note 15)	Drain cock with barb fitting (for φ 6 x φ 4 nylon tube)	—	●	●	●	●	●	●
		+										
		j	Lubricator lubricant	Nil	Without drain cock	●	●	●	●	●	●	●
				3 Note 16)	Lubricator with drain cock	●	●	●	●	●	●	●
		+										
k	Exhaust mechanism	Nil	Relieving type	●	●	●	●	●	●	●		
		N	Non-relieving type	●	●	●	●	●	●	●		
+												
l	Flow direction	Nil	Flow direction: Left to right	●	●	●	●	●	●	●		
		R	Flow direction: Right to left	●	●	●	●	●	●	●		
+												
m	Pressure unit	Nil	Name plate, caution plate for bowl, and pressure gauge in imperial units: MPa	●	●	●	●	●	●	●		
		Z Note 17)	Name plate, caution plate for bowl, and pressure gauge in imperial units: psi, °F	○ Note 19)	○ Note 19)	○ Note 19)	○ Note 19)	○ Note 19)	○ Note 19)	○ Note 19)		
		ZA Note 18)	Digital pressure switch: With unit conversion function	△ Note 20)	△ Note 20)	△ Note 20)	△ Note 20)	△ Note 20)	△ Note 20)	△ Note 20)		

Note 1) Drain guide is NPT1/8 (applicable to the AC20-B) and NPT1/4 (applicable to the AC25-B to AC60-B). The auto drain port comes with φ3/8" One-touch fitting (applicable to the AC25-B to AC60-B).

Note 2) Drain guide is G1/8 (applicable to the AC20-B) and G1/4 (applicable to the AC25-B to AC60-B).

Note 3) Option G, M are not assembled and supplied loose at the time of shipment.

Note 4) When pressure is not applied, condensate which does not start the auto drain mechanism will be left in the bowl. Releasing the residual condensate before ending operations for the day is recommended.

Note 5) If the compressor is small (0.75 kW, discharge flow is less than 100 L/min[ANR]), air leakage from the drain cock may occur during start of operations. N.C. type is recommended.

Note 6) When the pressure gauge is attached, a 1.0 MPa pressure gauge will be fitted for standard (0.85 MPa) type. 0.4 MPa pressure gauge for 0.2 MPa type.

Note 7) Not available with piping port size: 06

Note 8) The bracket position varies depending on the T-spacer or pressure switch mounting.

Note 9) Pressure can be set higher than the specification pressure in some cases, but use pressure within the specification range.

Note 10) Refer to Chemical data on page 3 for chemical resistance of the bowl.

Note 11) A bowl guard is provided as standard equipment (polycarbonate).

Note 12) A bowl guard is provided as standard equipment (nylon).

Note 13) Float type auto drain: The combination of C and D is not possible.

Note 14) Without a valve function.

Note 15) The combination of metal bowl: 2 and 8 is not available.

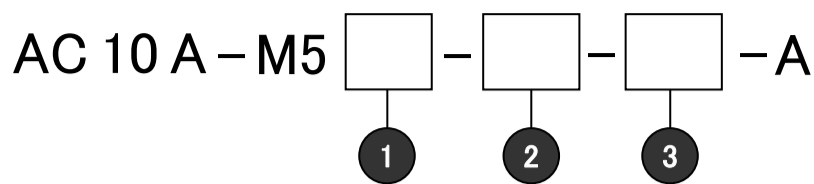
Note 16) When choosing with W: Filter drain port, the drain cock of a lubricator will be with barb fittings.

Note 17) For pipe thread type: NPT. This product is for overseas use only according to the new Measurement Law. (The SI unit type is provided for use in Japan.) Cannot be used with M: Round pressure gauge (with color zone). Available by request for special. The digital pressure switch will be equipped with the unit conversion function, setting to psi initially.

Note 18) For options: E1, E2, E3, E4. This product is for overseas use only according to the new Measurement Law. (The SI unit is provided for use in Japan.)

Note 19) ○: For pipe thread type: NPT only

Note 20) △: Select with options: E1, E2, E3, E4.



• Option / Semi-standard : Select one each for **a** to **h**.
 • Option / Semi-standard symbol : When more than one specification is required, indicate in alphanumeric order.

Example) AC10A-M5CG-T-12NR-A

	Symbol	Description
--	--------	-------------

1	Option	a	Float type auto drain	Nil	Without auto drain		
			C <small>Note 1)</small>	N.C. (Normally closed) Drain port is closed when pressure is not applied.			
		+		b	Pressure gauge	Nil	Without pressure gauge
		+			G <small>Note 2)</small>	Round type pressure gauge (without limit indicator)	
+		2	Attachment (T-spacer) <small>Note 3)</small>	Nil	Without attachment		
+				T	Mounting position : AW+T+AL		
3	Semi-standard	c	Set pressure <small>Note 4)</small>	Nil	0.05 to 0.7 MPa setting		
				1	0.02 to 0.2 MPa setting		
		+		d	Bowl <small>Note 5)</small>	Nil	Polycarbonate bowl
		+				2	Metal bowl
		+				6	Nylon bowl
		+		e	Lubricator lubricant exhaust port	Nil	Without drain cock
		+				3	Lubricator with drain cock
		+		f	Exhaust mechanism	Nil	Relieving type
		+				N	Non-relieving type
		+		g	Flow direction	Nil	Flow direction : Left to right
		+				R	Flow direction : Right to left
		+		h	Pressure unit	Nil	Name plate, caution plate for bowl, and pressure gauge in imperial units : MPa
+		Z <small>Note 6)</small>	Name plate, caution plate for bowl, and pressure gauge in imperial units : psi, °F				

- Note 1) When pressure is not applied, condensate which does not start the auto drain mechanism will be left in the bowl. Releasing the residual condensate before ending operations for the day is recommended.
- Note 2) A 1.0 MPa pressure gauge will be fitted. It is not assembled and supplied loose at the time of shipment.
- Note 3) The bracket position varies depending on the T-spacer mounting.
- Note 4) Pressure can be set higher than the specification pressure in some cases, but use pressure within the specification range.
- Note 5) Refer to Chemical data on page 3 for chemical resistance of the bowl.
- Note 6) This product is for overseas use only according to the new Measurement Law. (The SI unit type is provided for use in Japan.)

AC 30 A- 03 DE - - - B

1
2
3
4
5
6

• Option / Semi-standard : Select one each for a to I.
• Option / Attachment / Semi-standard symbol : When more than one specification is required, indicate in alphanumeric order.

Example) AC30A-F03DE1-KSV-136NR-B

		Symbol	Description	1						
				Body size						
				20	30	40	50	60		
2	Pipe thread type	Nil	Rc	●	●	●	●	●		
		N Note 1)	NPT	●	●	●	●	●		
		F Note 2)	G	●	●	●	●	●		
+										
3	Port size	01	1/8	●	-	-	-	-		
		02	1/4	●	●	●	-	-		
		03	3/8	-	●	●	-	-		
		04	1/2	-	-	●	-	-		
		06	3/4	-	-	●	●	-		
		10	1	-	-	-	●	●		
+										
4	Option	a	Float type auto drain	Nil	Without auto drain					
			C Note 4)	N.C. (Normally closed) Drain port is closed when pressure is not applied.						
			D Note 5)	N.O. (Normally open) Drain port is open when pressure is not applied.						
	+									
	b	Pressure gauge	Nil	Without pressure gauge						
			E	Square embedded type pressure gauge (with limit indicator)						
			G	Round type pressure gauge (with limit indicator)						
			M	Round type pressure gauge (with color zone)						
		Digital pressure switch	E1	Output: NPN output / Electrical entry: Wiring bottom entry						
			E2	Output: NPN output / Electrical entry: Wiring top entry						
			E3	Output: PNP output / Electrical entry: Wiring bottom entry						
	E4	Output: PNP output / Electrical entry: Wiring top entry								
+										
5	Attachment	c	Check valve	Nil	Without attachment					
			K	Mounting position: AW+K+AL						
		+								
		d	Pressure switch	Nil	Without attachment					
			S Note 8)	Mounting position: AW+S+AL						
		+								
e	Pressure relief 3 port valve	Nil	Without attachment							
	V	Mounting position: AW+AL+V								
+										
6	Semi-standard	f	Set pressure	Nil	0.05 to 0.85 MPa setting					
			1	0.02 to 0.2 MPa setting						
		+								
		g	Bowl	Nil	Polycarbonate bowl					
				2	Metal bowl					
				6	Nylon bowl					
				8	Metal bowl with level gauge					
				C	With bowl guard					
				6C	With bowl guard (Nylon bowl)					
		+								
		h	Filter regulator drain port	Nil	With drain cock					
				J Note 14)	Drain guide 1/8					
				W Note 15)	Drain cock with barb fitting (for φ 6 x φ 4 nylon tube)					
		+								
		i	Lubricator lubricant	Nil	Without drain cock					
				3 Note 16)	Lubricator with drain cock					
		+								
		j	Exhaust mechanism	Nil	Relieving type					
				N	Non-relieving type					
		+								
		k	Flow direction	Nil	Flow direction: Left to right					
				R	Flow direction: Right to left					
+										
l	Pressure unit	Nil	Name plate, caution plate for bowl, and pressure gauge in imperial units: MPa							
		Z Note 17)	Name plate, caution plate for bowl, and pressure gauge in imperial units: psi, °F							
		ZA Note 18)	Digital pressure switch: With unit conversion function							

Note 1) Drain guide is NPT1/8 (applicable to the AC20A-B) and NPT1/4 (applicable to the AC30A-B to AC60A-B). The auto drain port comes with φ3/8" One-touch fitting (applicable to the AC30A-B to AC60A-B).

Note 2) Drain guide is G1/8 (applicable to the AC20A-B) and G1/4 (applicable to the AC30A-B to AC60A-B).

Note 3) Option G, M are not assembled and supplied loose at the time of shipment.

Note 4) When pressure is not applied, condensate which does not start the auto drain mechanism will be left in the bowl. Releasing the residual condensate before ending operations for the day is recommended.

Note 5) If the compressor is small (0.75 kW, discharge flow is less than 100 L/min[ANR]), air leakage from the drain cock may occur during start of operations. N.C. type is recommended.

Note 6) When the pressure gauge is attached, a 1.0 MPa pressure gauge will be fitted for standard (0.85 MPa) type. 0.4 MPa pressure gauge for 0.2 MPa type.

Note 7) Not available with piping port size: 06

Note 8) The bracket position varies depending on the pressure switch mounting.

Note 9) Pressure can be set higher than the specification pressure in some cases, but use pressure within the specification range.

Note 10) Refer to Chemical data on page 3 for chemical resistance of the bowl.

Note 11) A bowl guard is provided as standard equipment (polycarbonate).

Note 12) A bowl guard is provided as standard equipment (nylon).

Note 13) Float type auto drain: The combination of C and D is not possible.

Note 14) Without a valve function.

Note 15) The combination of metal bowl: 2 and 8 is not available.

Note 16) When choosing with W: Filter drain port, the drain cock of a lubricator will be with barb fittings.

Note 17) For pipe thread type: NPT.
This product is for overseas use only according to the new Measurement Law. (The SI unit type is provided for use in Japan.) Cannot be used with M: Round pressure gauge (with color zone). Available by request for special.
The digital pressure switch will be equipped with the unit conversion function, setting to psi initially.

Note 18) For options: E1, E2, E3, E4. This product is for overseas use only according to the new Measurement Law. (The SI unit is provided for use in Japan.)

Note 19) ○: For pipe thread type: NPT only

Note 20) △: Select with options: E1, E2, E3, E4.

AC 10 B – M5 – – – A

1
2
3

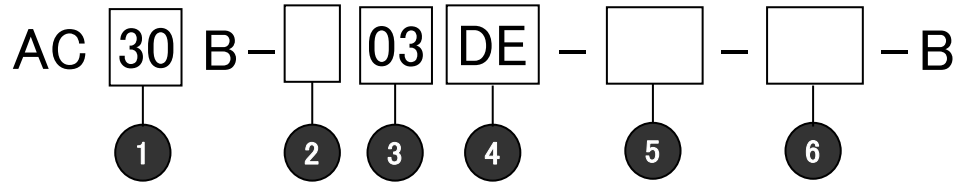
• Option / Semi-standard : Select one each for **a** to **g**.
 • Option / Semi-standard symbol : When more than one specification is required, indicate in alphanumeric order.

Example) AC10B-M5CG-T-12NR-A

	Symbol	Description
--	--------	-------------

1	Option	a Float type auto drain	Nil	Without auto drain	
			C <small>Note 1)</small>	N.C. (Normally closed) Drain port is closed when pressure is not applied.	
		+			
		b Pressure gauge	Nil	Without pressure gauge	
G <small>Note 2)</small>	Round type pressure gauge (without limit indicator)				
+					
2	Attachment (T-spacer) <small>Note 3)</small>	Nil	Without attachment		
		T	Mounting position : AF+T+AR		
+					
3	Semi-standard	c Set pressure <small>Note 4)</small>	Nil	0.05 to 0.7 MPa setting	
			1	0.02 to 0.2 MPa setting	
		+			
		d Bowl <small>Note 5)</small>	Nil	Polycarbonate bowl	
			2	Metal bowl	
			6	Nylon bowl	
		+			
		e Exhaust mechanism	Nil	Relieving type	
			N	Non-relieving type	
		+			
		f Flow direction	Nil	Flow direction : Left to right	
			R	Flow direction : Right to left	
		+			
		g Pressure unit	Nil	Name plate, caution plate for bowl, and pressure gauge in imperial units : MPa	
Z <small>Note 6)</small>	Name plate, caution plate for bowl, and pressure gauge in imperial units : psi, °F				

- Note 1) When pressure is not applied, condensate which does not start the auto drain mechanism will be left in the bowl. Releasing the residual condensate before ending operations for the day is recommended.
- Note 2) A 1.0 MPa pressure gauge will be fitted. It is not assembled and supplied loose at the time of shipment.
- Note 3) The bracket position varies depending on the T-spacer mounting.
- Note 4) Pressure can be set higher than the specification pressure in some cases, but use pressure within the specification range.
- Note 5) Refer to Chemical data on page 3 for chemical resistance of the bowl.
- Note 6) This product is for overseas use only according to the new Measurement Law. (The SI unit type is provided for use in Japan.)



• Option / Semi-standard : Select one each for a to j.
 • Option / Attachment / Semi-standard symbol : When more than one specification is required, indicate in alphanumeric order.

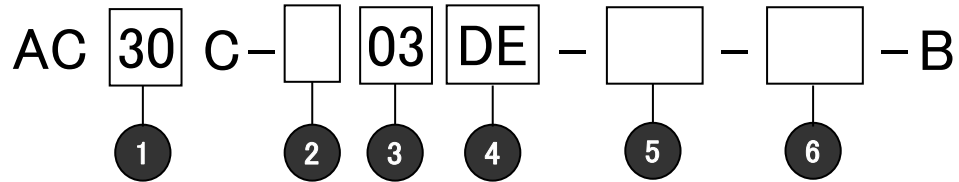
Example) AC30B-F03DE1-SV-16NR-B

		Symbol	Description	1								
				Body size								
				20	25	30	40	50	55	60		
2	Pipe thread type	Nil	Rc	●	●	●	●	●	●	●		
		N <small>Note 1)</small>	NPT	●	●	●	●	●	●	●		
		F <small>Note 2)</small>	G	●	●	●	●	●	●	●		
+												
3	Port size	01	1/8	●	—	—	—	—	—	—		
		02	1/4	●	●	●	●	—	—	—		
		03	3/8	—	●	●	●	—	—	—		
		04	1/2	—	—	—	●	—	—	—		
		06	3/4	—	—	—	●	●	—	—		
		10	1	—	—	—	—	●	●	●		
+												
4	Option	a	Float type auto drain	Nil	Without auto drain	●	●	●	●	●	●	
			C <small>Note 4)</small>	N.C. (Normally closed) Drain port is closed when pressure is not applied.	●	●	●	●	●	●	●	
			D <small>Note 5)</small>	N.O. (Normally open) Drain port is open when pressure is not applied.	—	●	●	●	●	●	●	
	+											
	b	Pressure gauge	Nil	Without pressure gauge	●	●	●	●	●	●	●	
			E	Square embedded type pressure gauge (with limit indicator)	●	●	●	●	●	●	●	
			G	Round type pressure gauge (with limit indicator)	●	●	●	●	●	●	●	
			M	Round type pressure gauge (with color zone)	●	●	●	●	●	●	●	
		Digital pressure switch	E1	Output: NPN output / Electrical entry: Wiring bottom entry	●	●	●	●	●	●	●	●
			E2	Output: NPN output / Electrical entry: Wiring top entry	●	●	●	●	●	●	●	●
			E3	Output: PNP output / Electrical entry: Wiring bottom entry	●	●	●	●	●	●	●	●
	E4		Output: PNP output / Electrical entry: Wiring top entry	●	●	●	●	●	●	●	●	
+												
5	Attachment	c	Pressure switch T-spacer	Nil	Without attachment	●	●	●	●	●	●	
			S <small>Note 7)</small>	Mounting position: AF+S+AR	●	●	●	●	●	●	●	
			T <small>Note 7)</small>	Mounting position: AF+T+AR	●	●	●	●	●	●	●	
	+											
	d	Pressure relief 3 port valve	Nil	Without attachment	●	●	●	●	●	●	●	
			V	Mounting position: AF+AR+V	●	●	●	●	●	—	—	
V1 <small>Note 8)</small>			Mounting position: V+AF+AR□K	●	●	●	●	●	—	—		
+												
6	Semi-standard	e	Set pressure	Nil	0.05 to 0.85 MPa setting	●	●	●	●	●	●	
				1	0.02 to 0.2 MPa setting	●	●	●	●	●	●	●
		+										
		f	Bowl	Nil	Polycarbonate bowl	●	●	●	●	●	●	●
				2	Metal bowl	●	●	●	●	●	●	●
				6	Nylon bowl	●	●	●	●	●	●	●
				8	Metal bowl with level gauge	—	●	●	●	●	●	●
				C	With bowl guard	●	— <small>Note 11)</small>	— <small>Note 11)</small>	— <small>Note 11)</small>	— <small>Note 11)</small>	— <small>Note 11)</small>	— <small>Note 11)</small>
				6C	With bowl guard (Nylon bowl)	●	— <small>Note 12)</small>	— <small>Note 12)</small>	— <small>Note 12)</small>	— <small>Note 12)</small>	— <small>Note 12)</small>	— <small>Note 12)</small>
		+										
		g	Air filter drain port	Nil	With drain cock	●	●	●	●	●	●	●
				J <small>Note 14)</small>	Drain guide 1/8	●	—	—	—	—	—	—
				W <small>Note 15)</small>	Drain cock with barb fitting (for φ 6 x φ 4 nylon tube)	—	●	●	●	●	●	●
		+										
		h	Exhaust mechanism	Nil	Relieving type	●	●	●	●	●	●	●
				N	Non-relieving type	●	●	●	●	●	●	●
		+										
		i	Flow direction	Nil	Flow direction: Left to right	●	●	●	●	●	●	●
				R	Flow direction: Right to left	●	●	●	●	●	●	●
		+										
		j	Pressure unit	Nil	Name plate, caution plate for bowl, and pressure gauge in imperial units: MPa	●	●	●	●	●	●	●
Z <small>Note 16)</small>	Name plate, caution plate for bowl, and pressure gauge in imperial units: psi, °F			○ <small>Note 18)</small>	○ <small>Note 18)</small>	○ <small>Note 18)</small>	○ <small>Note 18)</small>	○ <small>Note 18)</small>	○ <small>Note 18)</small>	○ <small>Note 18)</small>		
ZA <small>Note 17)</small>	Digital pressure switch: With unit conversion function			△ <small>Note 19)</small>	△ <small>Note 19)</small>	△ <small>Note 19)</small>	△ <small>Note 19)</small>	△ <small>Note 19)</small>	△ <small>Note 19)</small>	△ <small>Note 19)</small>		

Note 1) Drain guide is NPT1/8 (applicable to the AC20B-B) and NPT1/4 (applicable to the AC25B-B to AC60B-B). The auto drain port comes with φ3/8" One-touch fitting (applicable to the AC25B-B to AC60B-B).
 Note 2) Drain guide is G1/8 (applicable to the AC20B-B) and G1/4 (applicable to the AC25B-B to AC60B-B).
 Note 3) Option G, M are not assembled and supplied loose at the time of shipment.
 Note 4) When pressure is not applied, condensate which does not start the auto drain mechanism will be left in the bowl. Releasing the residual condensate before ending operations for the day is recommended.
 Note 5) If the compressor is small (0.75 kW, discharge flow is less than 100 L/min[ANR]), air leakage from the drain cock may occur during start of operations. N.C. type is recommended.

Note 6) When the pressure gauge is attached, a 1.0 MPa pressure gauge will be fitted for standard (0.85 MPa) type. 0.4 MPa pressure gauge for 0.2 MPa type.
 Note 7) The bracket position varies depending on the T-spacer or pressure switch mounting.
 Note 8) Make sure that the outlet pressure is released to atmospheric pressure using a pressure gauge.
 Note 9) Pressure can be set higher than the specification pressure in some cases, but use pressure within the specification range.
 Note 10) Refer to Chemical data on page 3 for chemical resistance of the bowl.
 Note 11) A bowl guard is provided as standard equipment (polycarbonate).
 Note 12) A bowl guard is provided as standard equipment (nylon).
 Note 13) Float type auto drain: The combination of C and D is not possible.
 Note 14) Without a valve function.

Note 15) The combination of metal bowl: 2 and 8 is not available.
 Note 16) For pipe thread type: NPT.
 This product is for overseas use only according to the new Measurement Law. (The SI unit type is provided for use in Japan.) Cannot be used with M: Round pressure gauge (with color zone). Available by request for special.
 The digital pressure switch will be equipped with the unit conversion function, setting to psi initially.
 Note 17) For options: E1, E2, E3, E4. This product is for overseas use only according to the new Measurement Law. (The SI unit is provided for use in Japan.)
 Note 18) ○: For pipe thread type: NPT only
 Note 19) △: Select with options: E1, E2, E3, E4.



• Option / Semi-standard : Select one each for a to j.
• Option / Attachment / Semi-standard symbol : When more than one specification is required, indicate in alphanumeric order.

Example) AC30C-F03DE1-SV-16NR-B

		Symbol	Description	1					
				Body size					
				20	25	30	40		
2	Pipe thread type	Nil	Rc	●	●	●	●		
		N Note 1)	NPT	●	●	●	●		
		F Note 2)	G	●	●	●	●		
+									
3	Port size	01	1/8	●	—	—	—		
		02	1/4	●	●	●	●		
		03	3/8	—	●	●	●		
		04	1/2	—	—	—	●		
		06	3/4	—	—	—	●		
+									
4	Option	a	Float type auto drain	Nil	Without auto drain	●	●	●	●
			C Note 4)	N.C. (Normally closed) Drain port is closed when pressure is not applied.	●	●	●	●	
			D Note 5)	N.O. (Normally open) Drain port is open when pressure is not applied.	—	●	●	●	
	+								
	b	Pressure gauge	Nil	Without pressure gauge	●	●	●	●	
			E	Square embedded type pressure gauge (with limit indicator)	●	●	●	●	
			G	Round type pressure gauge (with limit indicator)	●	●	●	●	
			M	Round type pressure gauge (with color zone)	●	●	●	●	
		Digital pressure switch	E1	Output: NPN output / Electrical entry: Wiring bottom entry	●	●	●	●	
			E2	Output: NPN output / Electrical entry: Wiring top entry	●	●	●	●	
			E3	Output: PNP output / Electrical entry: Wiring bottom entry	●	●	●	●	
	+								
5	Attachment	c	Pressure switch T-spacer	Nil	Without attachment	●	●	●	●
			S Note 7)	Mounting position: AF+AFM+S+AR	●	●	●	●	
			T Note 7)	Mounting position: AF+AFM+T+AR	●	●	●	●	
	+								
	d	Pressure relief 3 port valve	Nil	Without attachment	●	●	●	●	
			V	Mounting position: AF+AFM+AR+V	●	●	●	●	
V1 Note 8)			Mounting position: V+AF+AFM+AR□K	●	●	●	●		
+									
6	Semi-standard	e	Set pressure	Nil	0.05 to 0.85 MPa setting	●	●	●	●
				1	0.02 to 0.2 MPa setting	●	●	●	●
		+							
		f	Bowl	Nil	Polycarbonate bowl	●	●	●	●
				2	Metal bowl	●	●	●	●
				6	Nylon bowl	●	●	●	●
				8	Metal bowl with level gauge	—	●	●	●
				C	With bowl guard	●	— Note11)	— Note11)	— Note11)
				6C	With bowl guard (Nylon bowl)	●	— Note12)	— Note12)	— Note12)
		+							
		g	Air filter Mist separator drain port	Nil	With drain cock	●	●	●	●
				J Note 14)	Drain guide 1/8	●	—	—	—
				W Note 15)	Drain guide 1/4	—	●	●	●
					Drain cock with barb fitting (for φ 6 x φ 4 nylon tube)	—	●	●	●
		+							
		h	Exhaust mechanism	Nil	Relieving type	●	●	●	●
				N	Non-relieving type	●	●	●	●
		+							
i	Flow direction	Nil	Flow direction: Left to right	●	●	●	●		
		R	Flow direction: Right to left	●	●	●	●		
+									
j	Pressure unit	Nil	Name plate, caution plate for bowl, and pressure gauge in imperial units: MPa	●	●	●	●		
		Z Note 16)	Name plate, caution plate for bowl, and pressure gauge in imperial units: psi, °F	○ Note18)	○ Note18)	○ Note18)	○ Note18)		
		ZA Note 17)	Digital pressure switch: With unit conversion function	△ Note19)	△ Note19)	△ Note19)	△ Note19)		

Note 1) Drain guide is NPT1/8 (applicable to the AC20C-B) and NPT1/4 (applicable to the AC25C-B to AC40C-B). The auto drain port comes with φ3/8" One-touch fitting (applicable to the AC20C-B to AC40C-B).
Note 2) Drain guide is G1/8 (applicable to the AC20C-B) and G1/4 (applicable to the AC25C-B to AC40C-B).
Note 3) Option G, M are not assembled and supplied loose at the time of shipment.
Note 4) When pressure is not applied, condensate which does not start the auto drain mechanism will be left in the bowl. Releasing the residual condensate before ending operations for the day is recommended.
Note 5) If the compressor is small (0.75 kW, discharge flow is less than 100 L/min[ANR]), air leakage from the drain cock may occur during start of operations. N.C. type is recommended.

Note 6) When the pressure gauge is attached, a 1.0 MPa pressure gauge will be fitted for standard (0.85 MPa) type. 0.4 MPa pressure gauge for 0.2 MPa type.
Note 7) The bracket position varies depending on the T-spacer or pressure switch mounting.
Note 8) Make sure that the outlet pressure is released to atmospheric pressure using a pressure gauge.
Note 9) Pressure can be set higher than the specification pressure in some cases, but use pressure within the specification range.
Note 10) Refer to Chemical data on page 3 for chemical resistance of the bowl.
Note 11) A bowl guard is provided as standard equipment (polycarbonate).
Note 12) A bowl guard is provided as standard equipment (nylon).
Note 13) Float type auto drain: The combination of C and D is not possible.
Note 14) Without a valve function.

Note 15) The combination of metal bowl: 2 and 8 is not available.
Note 16) For pipe thread type: NPT.
This product is for overseas use only according to the new Measurement Law. (The SI unit type is provided for use in Japan.) Cannot be used with M: Round pressure gauge (with color zone). Available by request for special.
The digital pressure switch will be equipped with the unit conversion function, setting to psi initially.
Note 17) For options: E1, E2, E3, E4. This product is for overseas use only according to the new Measurement Law. (The SI unit is provided for use in Japan.)
Note 18) ○: For pipe thread type: NPT only
Note 19) △: Select with options: E1, E2, E3, E4.

AC 30 D - 03 DE - - - B

1
2
3
4
5
6

• Option / Semi-standard : Select one each for a to j.
• Option / Attachment / Semi-standard symbol : When more than one specification is required, indicate in alphanumeric order.

Example) AC30D-F03DE1-SV-16NR-B

		Symbol	Description	1				
				Body size				
				20	30	40		
2	Pipe thread type	Nil	Rc	●	●	●		
		N Note 1)	NPT	●	●	●		
		F Note 2)	G	●	●	●		
+								
3	Port size	01	1/8	●	-	-		
		02	1/4	●	●	●		
		03	3/8	-	●	●		
		04	1/2	-	-	●		
		06	3/4	-	-	●		
+								
4	Option	a	Float type auto drain	Nil	Without auto drain	●	●	●
			C Note 4)	N.C. (Normally closed) Drain port is closed when pressure is not applied.	●	●	●	
			D Note 5)	N.O. (Normally open) Drain port is open when pressure is not applied.	-	●	●	
	+							
	b	Pressure gauge	Nil	Without pressure gauge	●	●	●	
			E	Square embedded type pressure gauge (with limit indicator)	●	●	●	
			G	Round type pressure gauge (with limit indicator)	●	●	●	
			M	Round type pressure gauge (with color zone)	●	●	●	
		Digital pressure switch	E1	Output: NPN output / Electrical entry: Wiring bottom entry	●	●	●	
			E2	Output: NPN output / Electrical entry: Wiring top entry	●	●	●	
			E3	Output: PNP output / Electrical entry: Wiring bottom entry	●	●	●	
	E4		Output: PNP output / Electrical entry: Wiring top entry	●	●	●		
+								
5	Attachment	c	Pressure switch	Nil	Without attachment	●	●	●
			S Note 7)	Mounting position: AW+S+AFM	●	●	●	
	d	Pressure relief 3 port valve	Nil	Without attachment	●	●	●	
			V	Mounting position: AW+AFM+V	●	●	●	
+								
6	Semi-standard	e	Set pressure	Nil	0.05 to 0.85 MPa setting	●	●	●
				1	0.02 to 0.2 MPa setting	●	●	●
		+						
		f	Bowl	Nil	Polycarbonate bowl	●	●	●
				2	Metal bowl	●	●	●
				6	Nylon bowl	●	●	●
				8	Metal bowl with level gauge	-	●	●
				C	With bowl guard	●	- Note11)	- Note11)
				6C	With bowl guard (Nylon bowl)	●	- Note12)	- Note12)
		+						
		g	Filter regulator Mist separator drain port	Nil	With drain cock	●	●	●
				J Note 14)	Drain guide 1/8	●	-	-
					Drain guide 1/4	-	●	●
				W Note 15)	Drain cock with barb fitting (for φ 6 x φ 4 nylon tube)	-	●	●
		+						
h	Exhaust mechanism	Nil	Relieving type	●	●	●		
		N	Non-relieving type	●	●	●		
+								
i	Flow direction	Nil	Flow direction: Left to right	●	●	●		
		R	Flow direction: Right to left	●	●	●		
+								
j	Pressure unit	Nil	Name plate, caution plate for bowl, and pressure gauge in imperial units: MPa	●	●	●		
		Z Note 16)	Name plate, caution plate for bowl, and pressure gauge in imperial units: psi, °F	○ Note18)	○ Note18)	○ Note18)		
		ZA Note 17)	Digital pressure switch: With unit conversion function	△ Note19)	△ Note19)	△ Note19)		

Note 1) Drain guide is NPT1/8 (applicable to the AC20D-B) and NPT1/4 (applicable to the AC30D-B/AC40D-B)
The auto drain port comes with φ3/8" One-touch fitting (applicable to the AC30D-B/AC40D-B).

Note 2) Drain guide is G1/8 (applicable to the AC20D-B) and G1/4 (applicable to the AC30D-B/AC40D-B).

Note 3) Option G, M are not assembled and supplied loose at the time of shipment.

Note 4) When pressure is not applied, condensate which does not start the auto drain mechanism will be left in the bowl. Releasing the residual condensate before ending operations for the day is recommended.

Note 5) If the compressor is small (0.75 kW, discharge flow is less than 100 L/min[ANR]), air leakage from the drain cock may occur during start of operations. N.C. type is recommended.

Note 6) When the pressure gauge is attached, a 1.0 MPa pressure gauge will be fitted for standard (0.85 MPa) type.
0.4 MPa pressure gauge for 0.2 MPa type.

Note 7) The bracket position varies depending on the pressure switch mounting.

Note 8) Make sure that the outlet pressure is released to atmospheric pressure using a pressure gauge.

Note 9) Pressure can be set higher than the specification pressure in some cases, but use pressure within the specification range.

Note 10) Refer to Chemical data on page 3 for chemical resistance of the bowl.

Note 11) A bowl guard is provided as standard equipment (polycarbonate).

Note 12) A bowl guard is provided as standard equipment (nylon).

Note 13) Float type auto drain: The combination of C and D is not possible.

Note 14) Without a valve function.

Note 15) The combination of metal bowl: 2 and 8 is not available.

Note 16) For pipe thread type: NPT.
This product is for overseas use only according to the new Measurement Law. (The SI unit type is provided for use in Japan.)
Cannot be used with M: Round pressure gauge (with color zone). Available by request for special.
The digital pressure switch will be equipped with the unit conversion function, setting to psi initially.

Note 17) For options: E1, E2, E3, E4. This product is for overseas use only according to the new Measurement Law. (The SI unit is provided for use in Japan.)

Note 18) ○: For pipe thread type: NPT only

Note 19) △: Select with options: E1, E2, E3, E4.

6. ATTACHMENTS / ACCESSORIES (OPTIONS) PART NUMBER

Section	Model	Attachments / Accessories (Options) part number								
		For AC10*-A	For AC20*-B	For AC25*-B	For AC30*-B	For AC40*-B	For AC40*-06-B	For AC50*-B	For AC55*-B	For AC60*-B
Option	Pressure gauge Note1)	Round type	Standard	G27-10-R1	G36-10-□01			G46-10-□01		
		0.2 MPa setting	G27-10-R1	G36-4-□01			G46-4-□01			
		Round type (with color zone)	Standard	—	G36-10-□01-L			G46-10-□01-L		
		0.2 MPa setting	—	G36-4-□01-L			G46-4-□01-L			
	Square embedded type Note2)	Standard	—	GC3-10AS [GC3P-010AS (Pressure gauge cover only)]						
		0.2 MPa setting	—	GC3-4AS [GC3P-010AS (Pressure gauge cover only)]						
	Digital pressure switch	NPN output Wiring bottom entry	—	ISE35-N-25-MLA [ISE35-N-25-M (Switch body only)] Note 3)						
				ISE35-R-25-MLA [ISE35-R-25-M (Switch body only)] Note 3)						
				ISE35-N-65-MLA [ISE35-N-65-M (Switch body only)] Note 3)						
				ISE35-R-65-MLA [ISE35-R-65-M (Switch body only)] Note 3)						
Float type auto drain Note4)	N.C.	AD17-A	AD27-A	AD37□-A		AD47□-A				
	N.O.	—	—	AD38□-A		AD48□-A				
Attachment	Spacer	Y100-A	Y200-A	Y300-A	Y400-A	Y500-A	Y600-A			
	Spacer with bracket	Y100T-A	Y200T-A	Y300T-A	Y400T-A	Y500T-A	Y600T-A			
	Check valve Note5) Note6)	—	AKM2000-□01-A AKM2000-□02-A	AKM3000-(□01)-A AKM3000-□02-A	AKM4000-(□02)-A AKM4000-□03-A	—	—	—	—	
	Pressure switch Note6)	—	IS10M-20-A	IS10M-30-A	IS10M-40-A	IS10M-50-A	IS10M-60-A			
	T-Spacer Note5) Note6)	Y110-M5-A	Y210-□01-A Y210-(□02)-A	Y310-(□01)-A Y310-□02-A	Y410-(□02)-A Y410-□03-A	Y510-(□02)-A Y510-□03-A	Y610-□03-A Y610-(□04)-A	Y610-(□03)-A Y610-□04-A		
	Pressure relief 3 port valve Note6)	—	VHS20-□01A VHS20-□02A	VHS30-□02A VHS30-□03A	VHS40-□02A VHS40-□03A VHS40-□04A	VHS40-□06A	VHS50-□06A VHS50-□10A	—	—	
	Piping adapter Note6)	E100-M5-A	E200-□01-A E200-□02-A E200-□03-A	E300-□02-A E300-□03-A E300-□04-A	E400-□02-A E400-□03-A E400-□04-A E400-□06-A	E500-□06-A	E600-□06-A E600-□10-A			
	Pressure switch with piping adapter Note6)	—	IS10E-20□01-A IS10E-20□02-A IS10E-20□03-A	IS10E-30□02-A IS10E-30□03-A IS10E-30□04-A	IS10E-40□02-A IS10E-40□03-A IS10E-40□04-A IS10E-40□06-A	—	—	—	—	
	Cross spacer Note6)	Y14-M5-A	Y24-□01-A Y24-□02-A	Y34-□01-A Y34-□02-A	Y44-□02-A Y44-□03-A	Y54-□03-A Y54-□04-A	—	—	—	

Note1) □ in part numbers for a round pressure gauge indicates a pipe thread type. No indication is necessary for R; however, indicate N for NPT.

Please contact SMC regarding the pipe thread type NPT and the supply of pressure gauge with psi unit display specifications.

Note2) Including one O-ring and 2 mounting screws

Note3) Lead wire with connector (2 m), adapter, lock pin, O-ring (1 pc.), mounting screw (2 pcs.) are attached. []: Switch body only.

Regarding how to order the digital pressure switch, refer to the WEB catalog or the Best Pneumatics No.6.

Note4) Minimum operating pressure: N.O. type—0.1 MPa (AD38-A, AD48-A); N.C. type—0.1 MPa (AD17-A, AD27-A) and 0.15 MPa (AD37-A, AD47-A).

□ of float type auto drain product number shows the type of the outside diameter of the application tube. Indicate Nil for φ 10 and N for φ 3/8".

Please consult with SMC separately for psi and °F unit display specifications.

Note5) For F.R.L. units, port sizes without () are standard specifications.

Note6) Separate spacers are required for modular unit.

□ in part numbers for each attachment indicates a pipe thread type. No indication is necessary for R; however, indicate N for NPT.

7. TROUBLE SHOOTING

○ Air combination (Connected part)

Section	Trouble	Possible cause	Remedy
	Phenomenon		
Leak	Air leakage from connected part	1. Breakage of packing.	1. Replace the packing.
		2. Retainer connection nut is loose.	2. Tighten connection nut to the specified torque. (See "Assembly" of "9. HOW TO REPLACE" on page 20.)

○ For individual product troubleshooting, refer to the operation manual of each product.

8. SPARE PARTS LIST

○ Air combination (AC junction)

Description	Spare parts part number								
	AC10*-A	AC20*-B	AC25*-B	AC30*-B	AC40*-B	AC40*-06-B	AC50*-B	AC55*-B	AC60*-B
①Packing Note 1)	Y120P-050AS Note 2)	Y220P-050S	Y320P-050S		Y420P-050S	Y520P-050S	Y620P-050S		

Note1) Refer to "10. DISASSEMBLY DRAWING" on page 21 to 22 for ①Packing.

Note2) Assembly of 2 O-rings

○ For spare parts of each product, refer to the operation manual and catalog.

9. HOW TO REPLACE

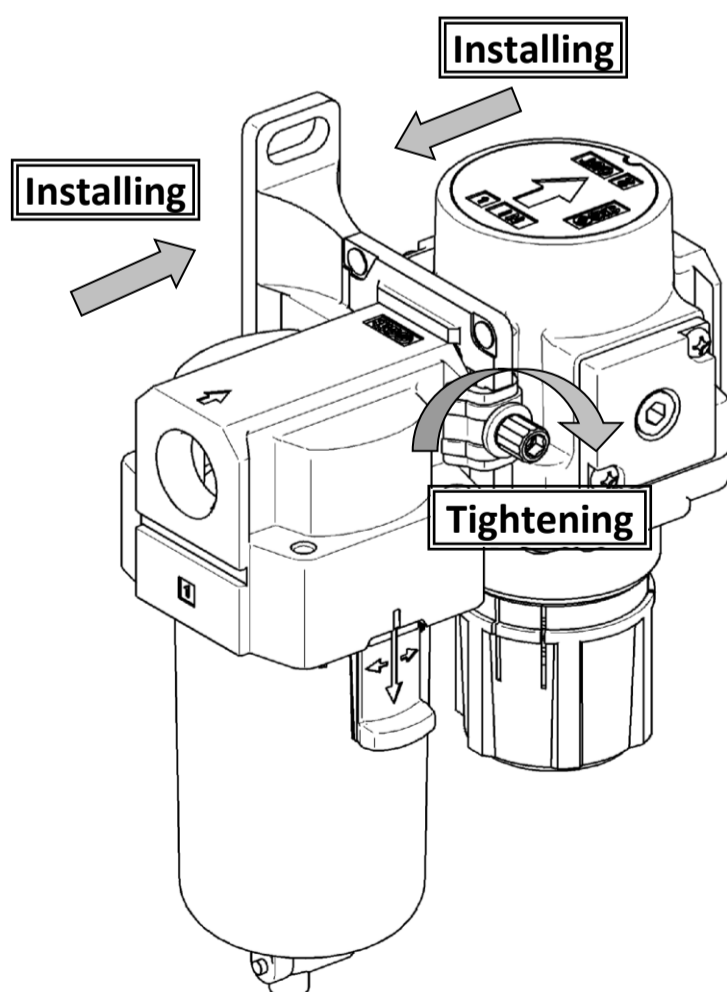
⚠ WARNING

- Before replacement, ensure that the air combination assembly is not pressurized.
- Rotate the pressure adjusting handle of the regulator and filter-regulator to zero.
- Replace referring to "10. DISASSEMBLY DRAWING" (P21 to P22).
- After replacement, ensure that specified function is satisfied and external leakage is not found before starting operation.

○ Air combination

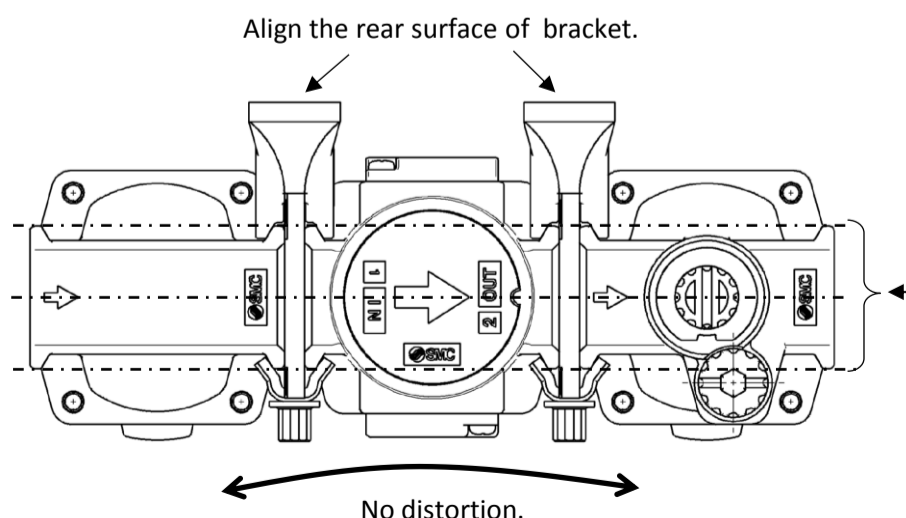
Process	Procedure	Tools	Check item
Disassembly	① Remove the connected piping as necessary.	—	—
	② Remove the nut and retainer. Insert a hexagon wrench into the hexagon socket of the nut and rotate it anticlockwise to remove the nut and retainer. Make sure to hold the parts removed by hand to prevent them from dropping.	Hexagon wrench Nominal : AC10-A 3 AC20-B 4 AC25,30-B 5 AC40(-06)-B 6	—
	③ Remove the component.	—	—
Assembly	④ Mount a spacer to the product. Align the groove of the product with the raised part of the spacer. Pay attention to the IN and OUT direction.	—	—
	⑤ Mount the retainer to the spacer bolt and tighten them temporarily by rotating the nut clockwise while holding the product by hand.	—	—
	⑥ Tighten the nut. Insert a hexagon wrench into the hexagon socket of the nut and tighten the nut by rotating it clockwise. The tightening torque of the lock nut is shown in the right side as a guide.	Hexagon wrench Nominal : AC10-A 3 AC20-B 4 AC25,30-B 5 AC40(-06)-B 6	Tightening torque : AC10-A 0.6±0.05 N·m AC20-B 1.5±0.05 N·m AC40(-06)-B 3.0±0.1 N·m AC50,55,60-B

【 Modular connection (Assembly) 】



【 Precautions for modular connection (Assembly) 】

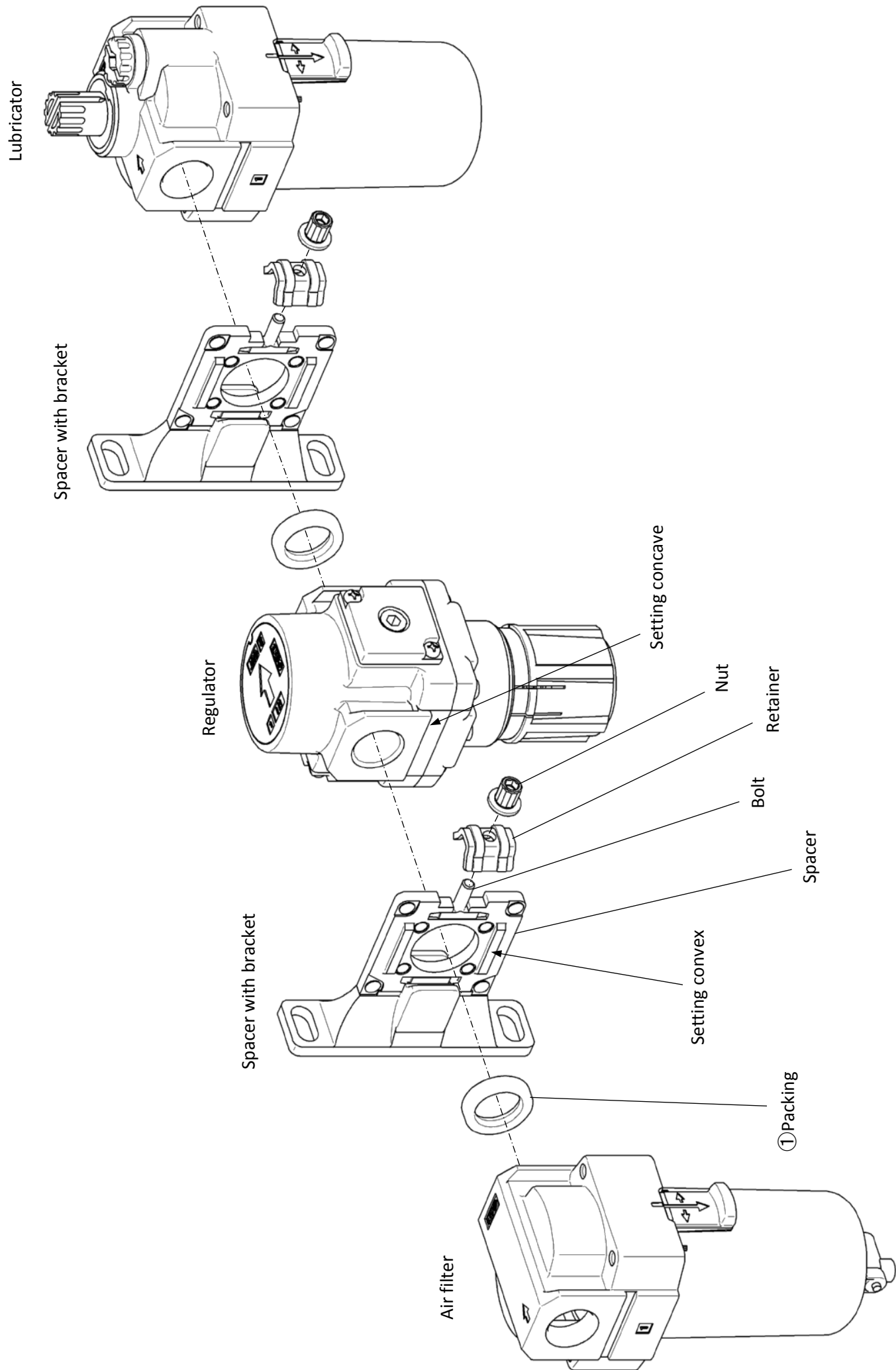
Each equipment has to be on the same straight line without misalignments.



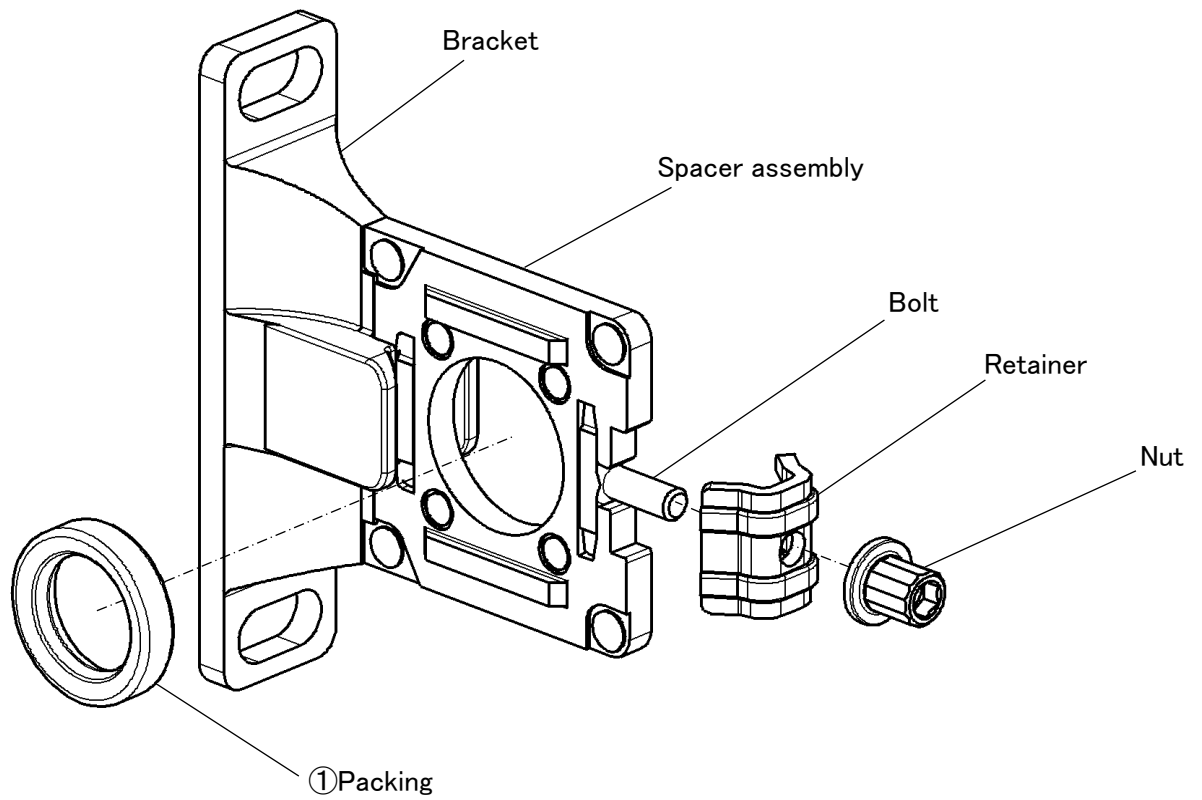
○ For individual product troubleshooting, refer to the operation manual of each product.

10. DISASSEMBLY DRAWING

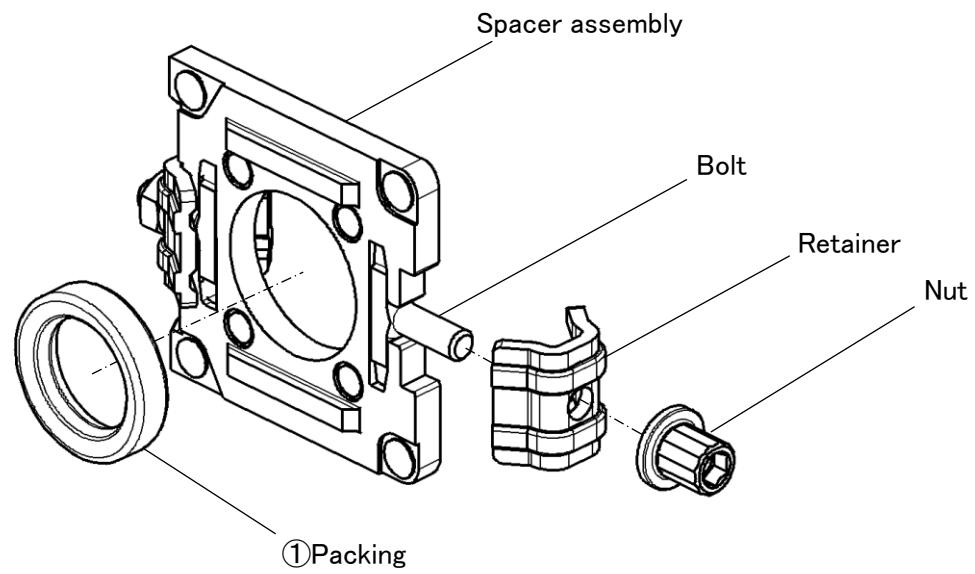
1) F. R. L Combination



2) Spacer with bracket



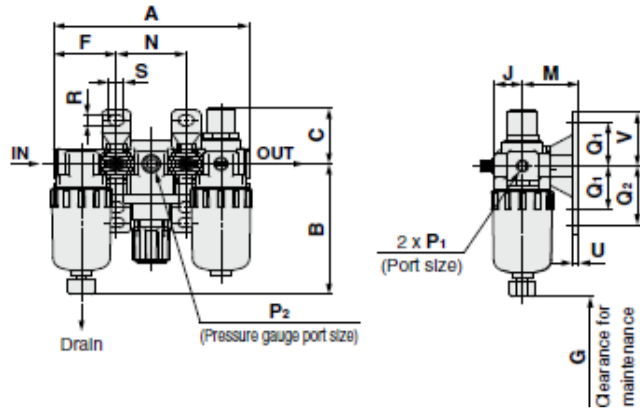
3) Spacer



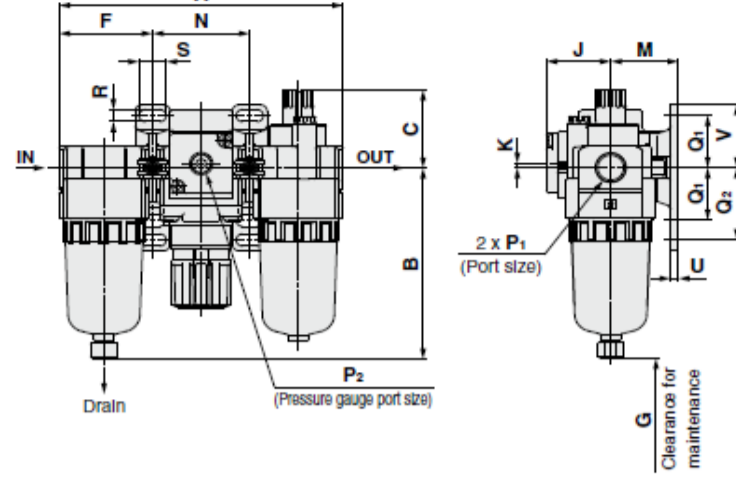
11. DIMENSIONS

1) AC10-A / AC20-B to AC60-B

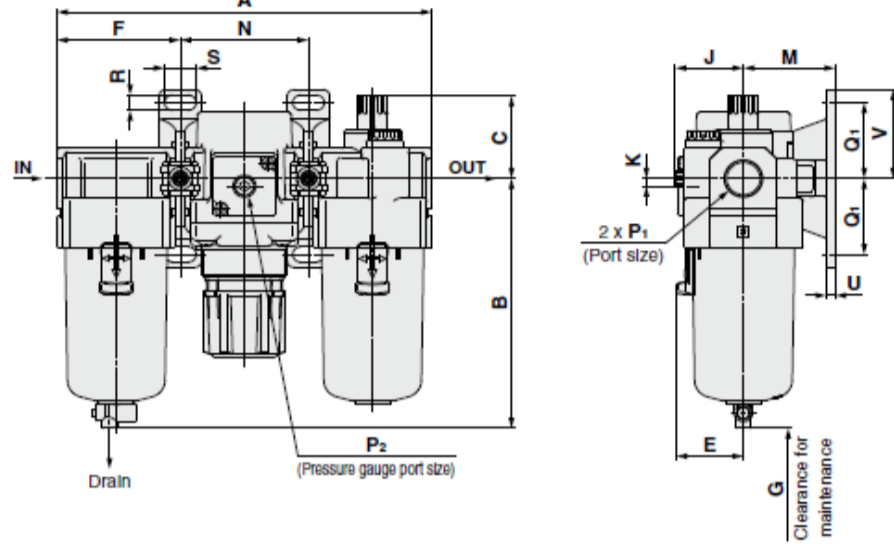
AC10-A



AC20-B



AC25-B to AC60-B



Option	Square embedded type pressure gauge	Digital pressure switch	Round type pressure gauge	Round type pressure gauge (with color zone)
Dimensions	Center of piping	Center of piping	Center of piping	Center of piping

Applicable model	AC10-A		AC20-B				AC25-B to AC60-B
Optional/Semi-standard specifications	With auto drain	Metal bowl	With auto drain	Metal bowl	With drain guide	Metal bowl with drain guide	With auto drain (N.O./N.C.)
Dimensions							 N.O.: Black N.C.: Gray Thread type/Rc, G: ø10 One-touch fitting Thread type/NPT: ø3/8" One-touch fitting

Applicable model	AC25-B to AC60-B					
Optional/Semi-standard specifications	Metal bowl	Metal bowl with drain guide	Metal bowl with level gauge	Metal bowl with level gauge, with drain guide	With drain guide	Drain cock with barb fitting
Dimensions		 Width across flats 17 1/4		 Width across flats 17 1/4	 Width across flats 17 1/4	 Barb fitting applicable tubing: T0604

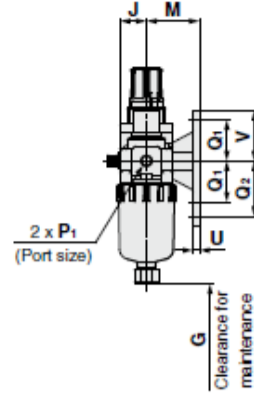
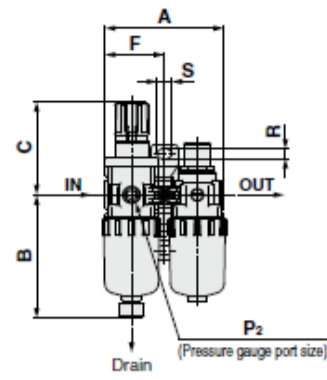
Model	Standard specifications																	
	P ₁	P ₂	A	B	C	E	F	G	J	K	Bracket mount							
											M	N	Q ₁	Q ₂	R	S	U	V
AC10-A	M5x0.8	1/16	87	59.9	25.5	—	28	35	12.5	—	25	31	20	27	4.5	6.8	3	24.5
AC20-B	1/8·1/4	1/8	126.4	87.6	35.9	—	41.6	60	28.5	2 Note)	30	43.2	24	33	5.5	12	3.5	29
AC25-B	1/4·3/8	1/8	167.4	115.1	38.1	30	55.1	80	27.5	0	41	57.2	35	—	7	14	4	41
AC30-B	1/4·3/8	1/8	167.4	115.1	38.1	30	55.1	80	29.4	3.5	41	57.2	35	—	7	14	4	41
AC40-B	1/4·3/8·1/2	1/8	220.4	147.1	39.8	38.4	72.6	110	33.8	3.5	50	75.2	40	—	9	18	5	48
AC40-06-B	3/4	1/8	235.4	149.1	37.8	38.4	77.6	110	33.8	3	50	80.2	40	—	9	18	5	48
AC50-B	3/4·1	1/8	282.4	220.1	41.2	—	93.1	110	43.3	3.2	70	96.2	50	—	11	20	6	60
AC55-B	1	1/8	292.4	234.1	44.7	—	98.1	110	43.3	3.2	70	96.2	50	—	11	20	6	60
AC60-B	1	1/8	297.4	234.1	44.7	—	98.1	110	43.3	3.2	70	101.2	50	—	11	20	6	60

Model	Optional specifications								Semi-standard specifications							
	Square type pressure gauge		Digital pressure switch		Round type pressure gauge		Round type pressure gauge (with color zone)		With auto drain	With barb fitting	With drain guide	Metal bowl	Metal bowl with drain guide	Metal bowl with level gauge	Metal bowl with level gauge, with drain guide	
	H	J	H	J	H	J	H	J	B	B	B	B	B	B	B	
AC10-A	—	—	—	—	φ 26	26	—	—	77.9	—	—	59.3	—	—	—	
AC20-B	□28	29.5	□27.8	40	φ 37.5	65	φ 37.5	66	104.9	—	91.4	87.4	93.9	—	—	
AC25-B	□28	28.5	□27.8	39	φ 37.5	64	φ 37.5	65	156.8	123.6	122	118	122.1	137.6	142.1	
AC30-B	□28	30.4	□27.8	40.9	φ 37.5	65.9	φ 37.5	66.9	156.8	123.6	122	118	122.1	137.6	142.1	
AC40-B	□28	34.8	□27.8	45.3	φ 42.5	71.3	φ 42.5	71.3	186.9	155.6	154	150	154.1	169.6	174.1	
AC40-06-B	□28	34.8	□27.8	45.3	φ 42.5	71.3	φ 42.5	71.3	188.9	157.6	156	152	156.1	171.6	176.1	
AC50-B	□28	44.3	□27.8	54.8	φ 42.5	80.8	φ 42.5	80.8	259.9	228.6	227	223	227.1	242.6	247.1	
AC55-B	□28	44.3	□27.8	54.8	φ 42.5	80.8	φ 42.5	80.8	273.9	242.6	241	237	241.1	256.6	261.1	
AC60-B	□28	44.3	□27.8	54.8	φ 42.5	80.8	φ 42.5	80.8	273.9	242.6	241	237	241.1	256.6	261.1	

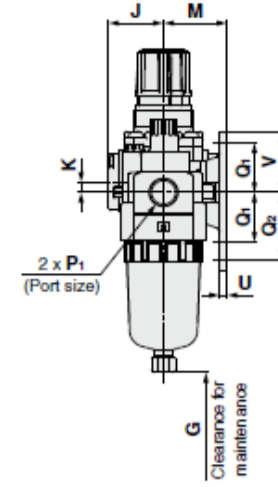
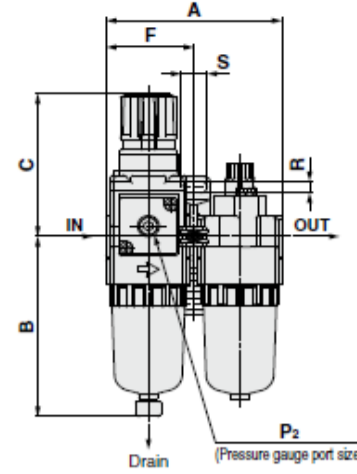
Note) For the AC20-B only, the position of the pressure gauge is above the center of the piping.

2) AC10A-A / AC20A-B to AC60A-B

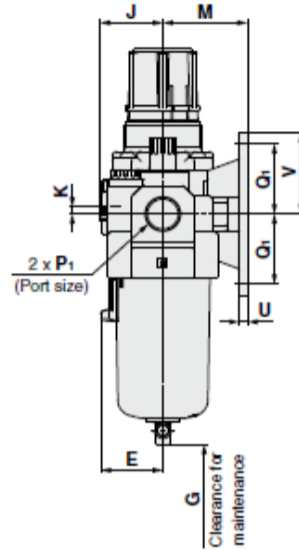
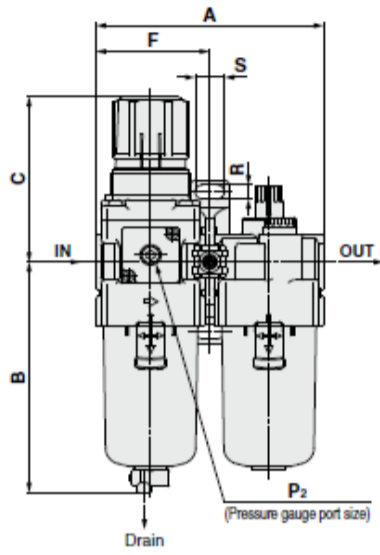
AC10A-A



AC20A-B



AC30A-B to AC60A-B



Option	Square embedded type pressure gauge	Digital pressure switch	Round type pressure gauge	Round type pressure gauge (with color zone)
Dimensions	Center of piping	Center of piping	Center of piping	

Applicable model	AC10A-A		AC20A-B				AC30A-B to AC60A-B
Optional/Semi-standard specifications	With auto drain	Metal bowl	With auto drain	Metal bowl	With drain guide	Metal bowl with drain guide	With auto drain (N.O./N.C.)
Dimensions							

Applicable model	AC30A-B to AC60A-B					
Optional/Semi-standard specifications	Metal bowl	Metal bowl with drain guide	Metal bowl with level gauge	Metal bowl with level gauge, with drain guide	With drain guide	Drain cock with barb fitting
Dimensions						

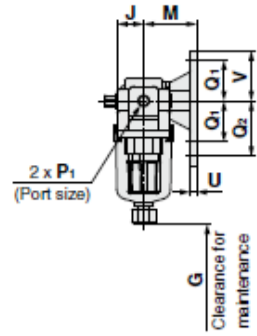
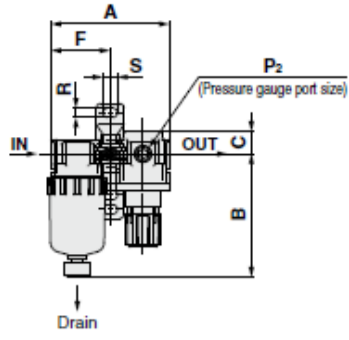
Model	Standard specifications																
	P ₁	P ₂	A	B	C ^{Note)}	E	F	G	J	K	Bracket mount						
											M	Q ₁	Q ₂	R	S	U	V
AC10A-A	M5x0.8	1/16	56	59.9	47.4	—	28	25	12.5	—	25	20	27	4.5	6.8	3	24.5
AC20A-B	1/8·1/4	1/8	83.2	87.6	72.4	—	41.6	60	28.5	5	30	24	33	5.5	12	3.5	29
AC30A-B	1/4·3/8	1/8	110.2	115.1	85.6	30	55.1	80	29.4	3.5	41	35	—	7	14	4	41
AC40A-B	1/4·3/8·1/2	1/8	145.2	147.1	91.7	38.4	72.6	110	33.8	1.5	50	40	—	9	18	5	48
AC40A-06-B	3/4	1/8	155.2	149.1	93.2	38.4	77.6	110	33.8	1.2	50	40	—	9	18	5	48
AC50A-B	3/4·1	1/8	191.2	220.1	175.5	—	93.1	110	43.3	3.2	70	50	—	11	20	6	60
AC60A-B	1	1/8	196.2	234.1	175.5	—	98.1	110	43.3	3.2	70	50	—	11	20	6	60

Model	Optional specifications								Semi-standard specifications							
	Square type pressure gauge		Digital pressure switch		Round type pressure gauge		Round type pressure gauge (with color zone)		With auto drain	With barb fitting	With drain guide	Metal bowl	Metal bowl with drain guide	Metal bowl with level gauge	Metal bowl with level gauge, with drain guide	
	H	J	H	J	H	J	H	J	B	B	B	B	B	B	B	
AC10A-A	—	—	—	—	φ 26	26	—	—	77.9	—	—	59.3	—	—	—	
AC20A-B	□28	27	□27.8	37.5	φ 37.5	62.5	φ 37.5	63.5	104.9	—	91.4	87.4	93.9	—	—	
AC30A-B	□28	30	□27.8	40.9	φ 37.5	66.9	φ 37.5	67.9	156.8	123.6	122	118	122.1	137.6	142.1	
AC40A-B	□28	38.4	□27.8	48.8	φ 42.5	75.7	φ 42.5	75.7	186.9	155.6	154	150	154.1	169.6	174.1	
AC40A-06-B	□28	38.4	□27.8	48.8	φ 42.5	75.7	φ 42.5	75.7	188.9	157.6	156	152	156.1	171.6	176.1	
AC50A-B	□28	44.3	□27.8	61.3	φ 42.5	80.8	φ 42.5	80.8	259.9	228.6	227	223	227.1	242.6	247.1	
AC60A-B	□28	44.3	□27.8	61.3	φ 42.5	80.8	φ 42.5	80.8	273.9	242.6	241	237	241.1	256.6	261.1	

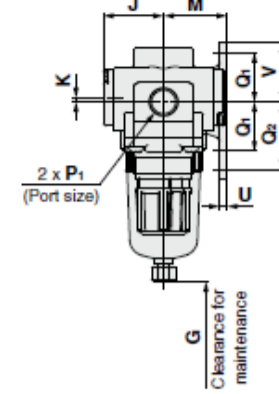
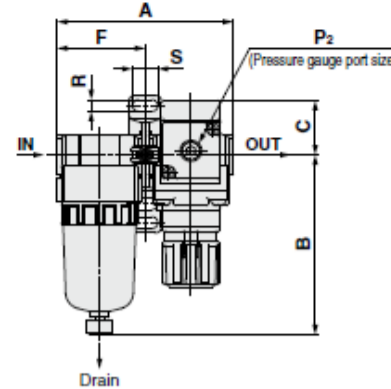
Note) The dimension of C is the length when the filter regulator knob is unlocked.

3) AC10B-A / AC20B-B to AC60B-B

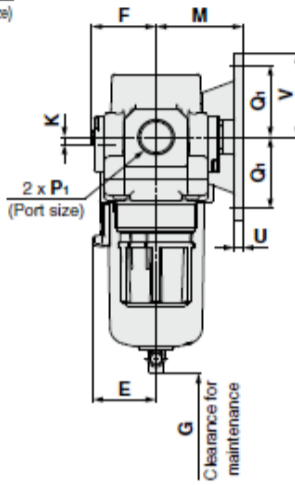
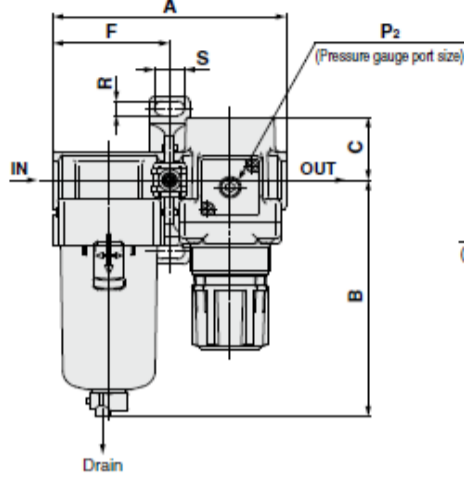
AC10B-A

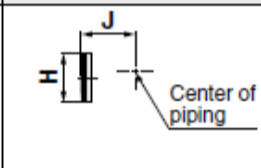
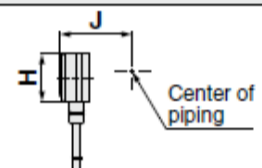
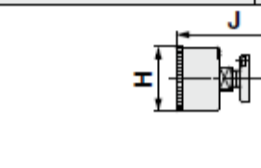
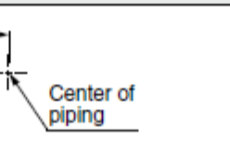


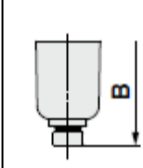
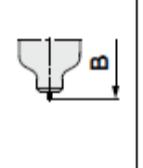
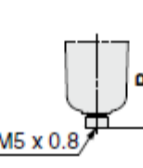
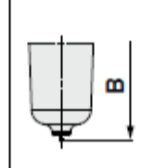

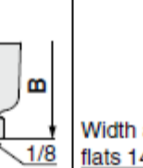
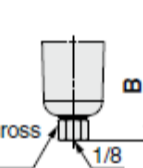
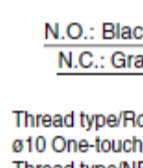
AC20B-B

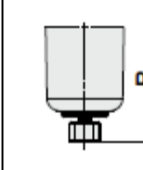
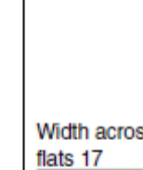
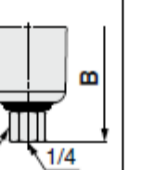
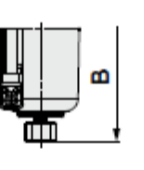




AC25B-B to AC60B-B



Option	Square embedded type pressure gauge	Digital pressure switch	Round type pressure gauge	Round type pressure gauge (with color zone)
Dimensions				

Applicable model	AC10B-A		AC20B-B				AC25B-B to AC60B-B	
	Optional/Semi-standard specifications	With auto drain	Metal bowl	With auto drain	Metal bowl	With drain guide	Metal bowl with drain guide	With auto drain (N.O./N.C.)
Dimensions								
			M5 x 0.8		Width across flats 14	Width across flats 14	N.O.: Black N.C.: Gray	Thread type/Rc, G: ø10 One-touch fitting Thread type/NPT: ø3/8" One-touch fitting

Applicable model	AC25B-B to AC60B-B					
	Optional/Semi-standard specifications	Metal bowl	Metal bowl with drain guide	Metal bowl with level gauge	Metal bowl with level gauge, with drain guide	With drain guide
Dimensions						
		Width across flats 17	Width across flats 17	Width across flats 17	Width across flats 17	Barb fitting applicable tubing: T0604

Model	Standard specifications																
	Standard specifications										Bracket mount						
	P ₁	P ₂	A	B	C	E	F	G	J	K	M	Q ₁	Q ₂	R	S	U	V
AC10B-A	M5x0.8	1/16	56	59.9	11	—	28	25	12.5	—	25	20	27	4.5	6.8	3	24.5
AC20B-B	1/8·1/4	1/8	83.2	87.6	26.5	—	41.6	25	28.5	2 (Note)	30	24	33	5.5	12	3.5	29
AC25B-B	1/4·3/8	1/8	110.2	115.1	28	30	55.1	35	27.5	0	41	35	—	7	14	4	41
AC30B-B	1/4·3/8	1/8	110.2	115.1	30.7	30	55.1	35	29.4	3.5	41	35	—	7	14	4	41
AC40B-B	1/4·3/8·1/2	1/8	145.2	147.1	35.8	38.4	72.6	40	33.8	3.5	50	40	—	9	18	5	48
AC40B-06-B	3/4	1/8	155.2	149.1	35.8	38.4	77.6	40	33.8	3	50	40	—	9	18	5	48
AC50B-B	3/4·1	1/8	186.2	220.1	43	—	93.1	30	43.3	3.2	70	50	—	11	20	6	60
AC55B-B	1	1/8	191.2	234.1	43	—	98.1	30	43.3	3.2	70	50	—	11	20	6	60
AC60B-B	1	1/8	196.2	234.1	46	—	98.1	30	43.3	3.2	70	50	—	11	20	6	60

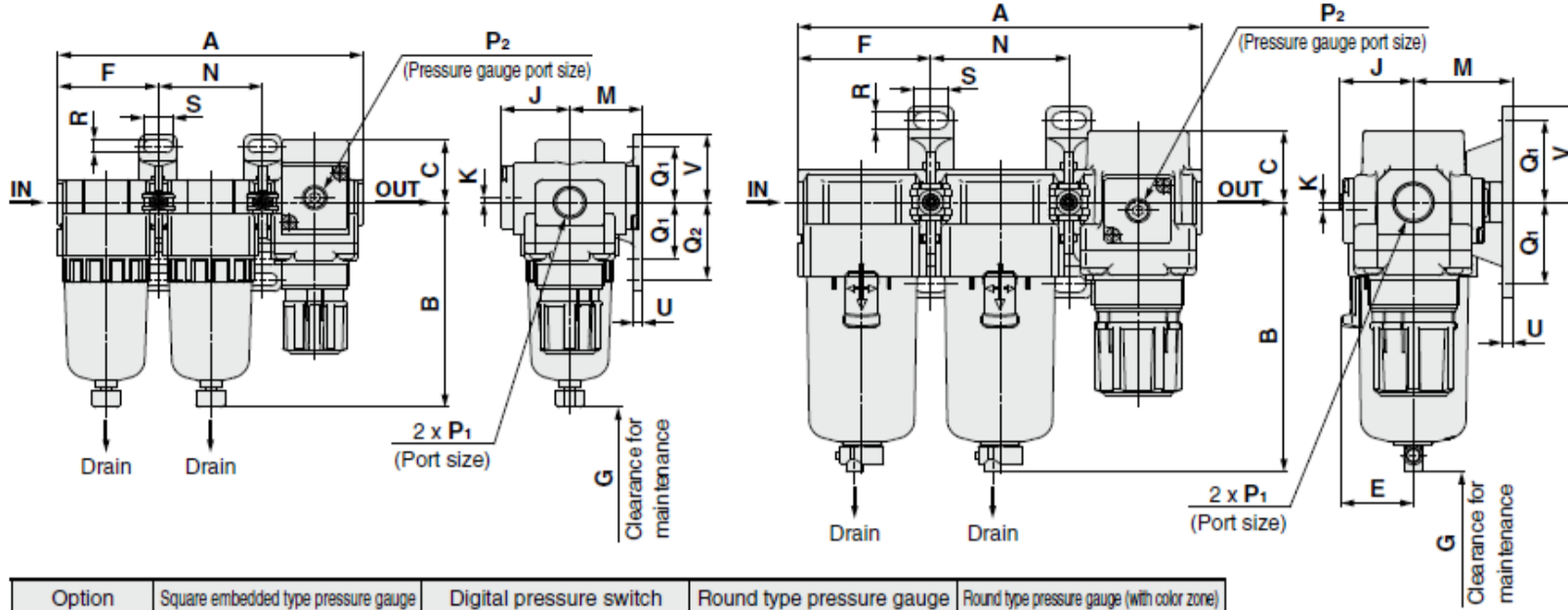
Model	Optional specifications								Semi-standard specifications							
	Square type pressure gauge		Digital pressure switch		Round type pressure gauge		Round type pressure gauge (with color zone)		With auto drain	With barb fitting	With drain guide	Metal bowl	Metal bowl with drain guide	Metal bowl with level gauge	Metal bowl with level gauge, with drain guide	
	H	J	H	J	H	J	H	J	B	B	B	B	B	B	B	
AC10B-A	—	—	—	—	φ 26	26	—	—	77.9	—	—	59.3	—	—	—	
AC20B-B	□28	29.5	□27.8	40	φ 37.5	65	φ 37.5	66	104.9	—	91.4	87.4	93.9	—	—	
AC25B-B	□28	28.5	□27.8	39	φ 37.5	64	φ 37.5	65	156.8	123.6	122	118	122.1	137.6	142.1	
AC30B-B	□28	30.4	□27.8	40.9	φ 37.5	65.9	φ 37.5	66.9	156.8	123.6	122	118	122.1	137.6	142.1	
AC40B-B	□28	34.8	□27.8	45.3	φ 42.5	71.3	φ 42.5	71.3	186.9	155.6	154	150	154.1	169.6	174.1	
AC40B-06-B	□28	34.8	□27.8	45.3	φ 42.5	71.3	φ 42.5	71.3	188.9	157.6	156	152	156.1	171.6	176.1	
AC50B-B	□28	44.3	□27.8	54.8	φ 42.5	80.8	φ 42.5	80.8	259.9	228.6	227	223	227.1	242.6	247.1	
AC55B-B	□28	44.3	□27.8	54.8	φ 42.5	80.8	φ 42.5	80.8	273.9	242.6	241	237	241.1	256.6	261.1	
AC60B-B	□28	44.3	□27.8	54.8	φ 42.5	80.8	φ 42.5	80.8	273.9	242.6	241	237	241.1	256.6	261.1	

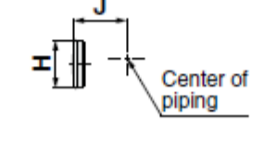
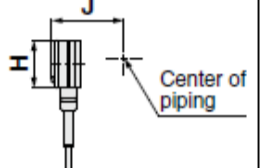
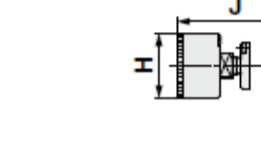
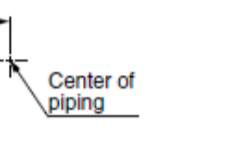
Note) For the AC20B-B only, the position of the pressure gauge is above the center of the piping.

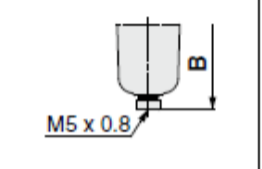
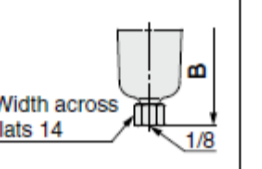
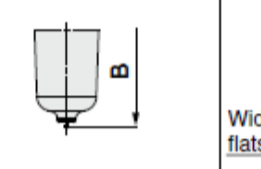
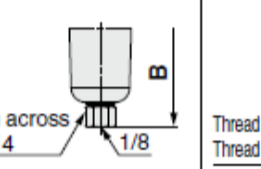
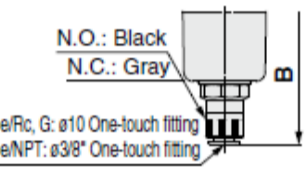
4) AC20C-B to AC40C-B

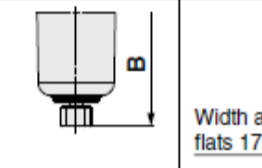
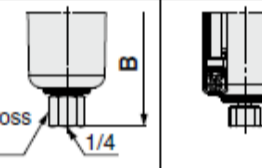
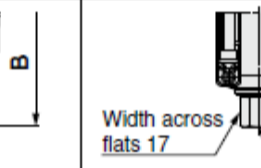

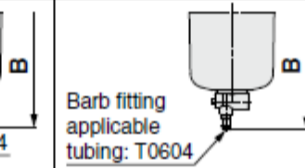
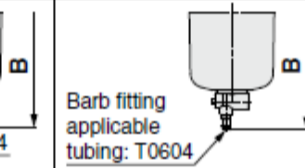
AC20C-B

AC25C-B to AC40C-06-B



Option	Square embedded type pressure gauge	Digital pressure switch	Round type pressure gauge	Round type pressure gauge (with color zone)
Dimensions				

Applicable model	AC20C-B				AC25C-B to AC40C-06-B
Optional/Semi-standard specifications	With auto drain (N.C.)	With drain guide	Metal bowl	Metal bowl with drain guide	With auto drain (N.O./N.C.)
Dimensions					

Applicable model	AC25C-B to AC40C-06-B					
Optional/Semi-standard specifications	Metal bowl	Metal bowl with drain guide	Metal bowl with level gauge	Metal bowl with level gauge, with drain guide	With drain guide	Drain cock with barb fitting
Dimensions						

Model	Standard specifications																	
	P ₁	P ₂	A	B	C	E	F	G	J	K	Bracket mount							
											M	N	Q ₁	Q ₂	R	S	U	V
AC20C-B	1/8·1/4	1/8	126.4	87.6	26.5	—	41.6	40	28.5	2 ^{Note)}	30	43.2	24	33	5.5	12	3.5	29
AC25C-B	1/4·3/8	1/8	167.4	115.1	28	30	55.1	50	27.5	0	41	57.2	35	—	7	14	4	41
AC30C-B	1/4·3/8	1/8	167.4	115.1	30.7	30	55.1	50	29.4	3.5	41	57.2	35	—	7	14	4	41
AC40C-B	1/4·3/8·1/2	1/8	220.4	147.1	35.8	38.4	72.6	75	33.8	3.5	50	75.2	40	—	9	18	5	48
AC40C-06-B	3/4	1/8	235.4	149.1	35.8	38.4	77.6	75	33.8	3	50	80.2	40	—	9	18	5	48

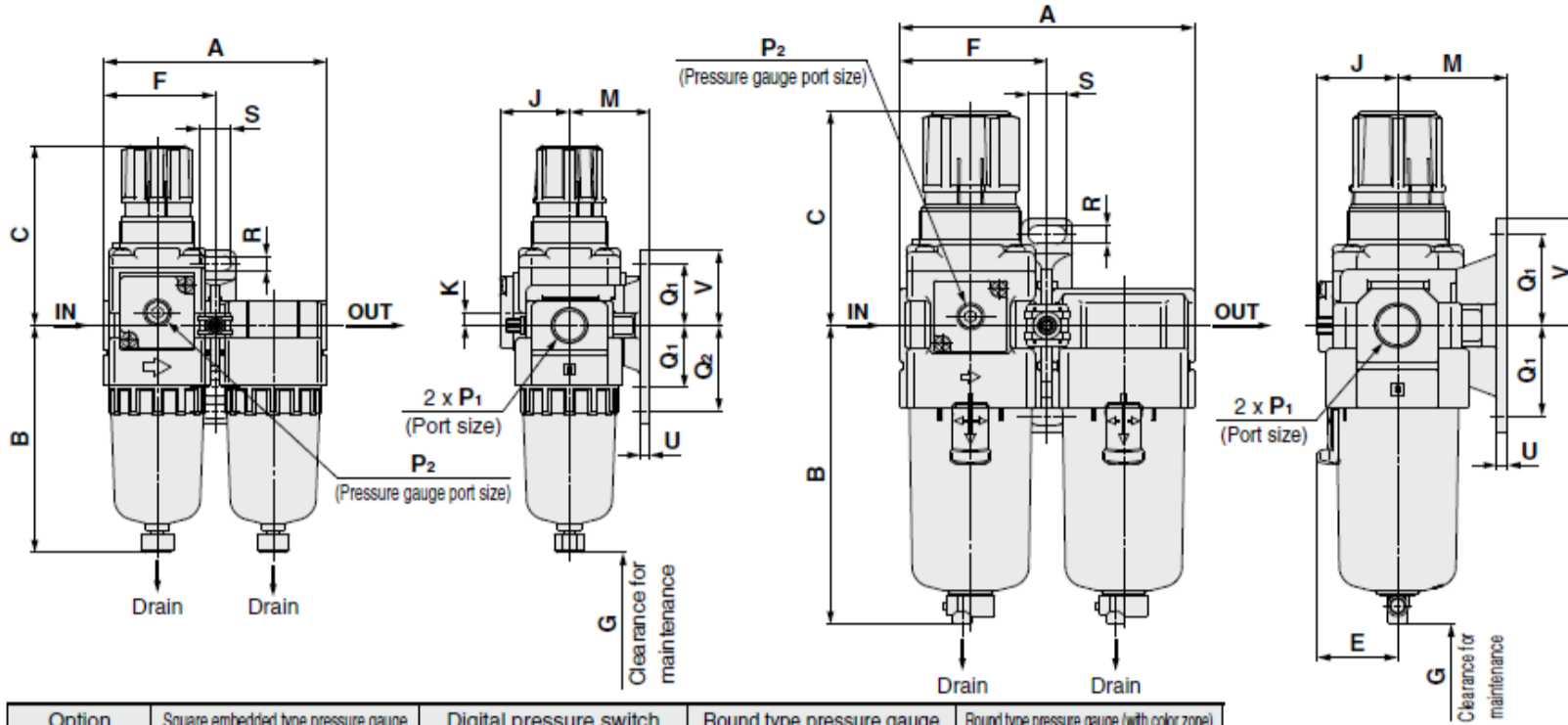
Model	Optional specifications								Semi-standard specifications						
	Square type pressure gauge		Digital pressure switch		Round type pressure gauge		Round type pressure gauge (with color zone)		With auto drain	With barb fitting	With drain guide	Metal bowl	Metal bowl with drain guide	Metal bowl with level gauge	Metal bowl with level gauge, with drain guide
	H	J	H	J	H	J	H	J	B	B	B	B	B	B	B
AC20C-B	□28	29.5	□27.8	40	φ 37.5	65	φ 37.5	66	104.9	—	91.4	87.4	93.9	—	—
AC25C-B	□28	28.5	□27.8	39	φ 37.5	64	φ 37.5	65	156.8	123.6	122	118	122.1	137.6	142.1
AC30C-B	□28	30.4	□27.8	40.9	φ 37.5	65.9	φ 37.5	66.9	156.8	123.6	122	118	122.1	137.6	142.1
AC40C-B	□28	34.8	□27.8	45.3	φ 42.5	71.3	φ 42.5	71.3	186.9	155.6	154	150	154.1	169.6	174.1
AC40C-06-B	□28	34.8	□27.8	45.3	φ 42.5	71.3	φ 42.5	71.3	188.9	157.6	156	152	156.1	171.6	176.1

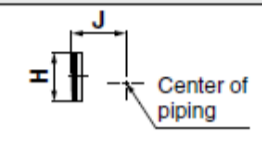
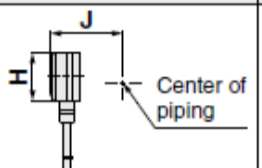
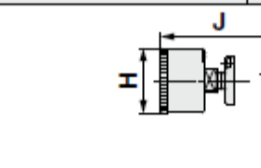
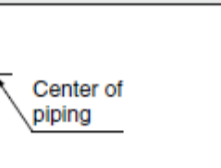
Note) For the AC20C-B only, the position of the pressure gauge is above the center of the piping.

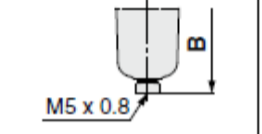
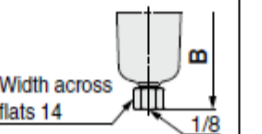
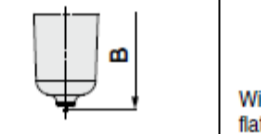
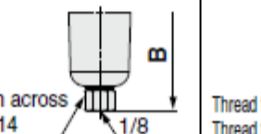
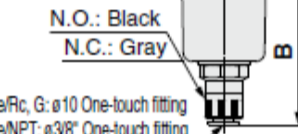
5) AC20D-B to AC40D-B

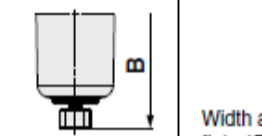
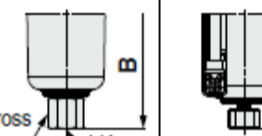
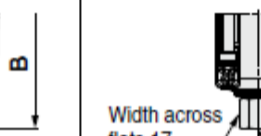
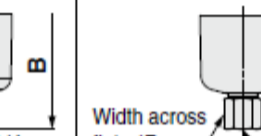

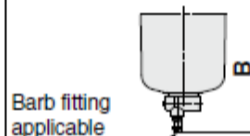
AC20D-B

AC30D-B to AC40D-06-B



Option	Square embedded type pressure gauge	Digital pressure switch	Round type pressure gauge	Round type pressure gauge (with color zone)
Dimensions				

Applicable model	AC20D-B				AC30D-B to AC40D-06-B
Optional/Semi-standard specification	With auto drain (N.C.)	With drain guide	Metal bowl	Metal bowl with drain guide	With auto drain (N.O./N.C.)
Dimensions					

Applicable model	AC30D-B to AC40D-06-B					
Optional/Semi-standard specification	Metal bowl	Metal bowl with drain guide	Metal bowl with level gauge	Metal bowl with level gauge, with drain guide	With drain guide	Drain cock with barb fitting
Dimensions						

Model	Standard specifications																
	P ₁	P ₂	A	B	C ^{Note)}	E	F	G	J	K	Bracket mount						
											M	Q ₁	Q ₂	R	S	U	V
AC20D-B	1/8·1/4	1/8	83.2	87.6	72.4	—	41.6	40	28.5	5	30	24	33	5.5	12	3.5	29
AC30D-B	1/4·3/8	1/8	110.2	115.1	85.6	30	55.1	50	29.4	3.5	41	35	—	7	14	4	41
AC40D-B	1/4·3/8·1/2	1/8	145.2	147.1	91.7	38.4	72.6	75	33.8	1.5	50	40	—	9	18	5	48
AC40D-06-B	3/4	1/8	155.2	149.1	93.2	38.4	77.6	75	33.8	1.2	50	40	—	9	18	5	48

Model	Optional specifications								Semi-standard specifications						
	Square type pressure gauge	Digital pressure switch	Round type pressure gauge		Round type pressure gauge (with color zone)	With auto drain	With barb fitting	With drain guide	Metal bowl	Metal bowl with drain guide	Metal bowl with level gauge	Metal bowl with level gauge, with drain guide			
	H	J	H	J	H	J	H	J	B	B	B	B	B	B	B
AC20D-B	□28	27	□27.8	37.5	φ 37.5	62.5	φ 37.5	63.5	104.9	—	91.4	87.4	93.9	—	—
AC30D-B	□28	30	□27.8	40.9	φ 37.5	66.9	φ 37.5	67.9	156.8	123.6	122	118	122.1	137.6	142.1
AC40D-B	□28	38.4	□27.8	48.8	φ 42.5	75.7	φ 42.5	75.7	186.9	155.6	154	150	154.1	169.6	174.1
AC40D-06-B	□28	38.4	□27.8	48.8	φ 42.5	75.7	φ 42.5	75.7	188.9	157.6	156	152	156.1	171.6	176.1

Note) The dimension of C is the length when the filter regulator knob is unlocked.

Revision history

A	P5 Installation CAUTION Air combination ③ is added.	July 2018
---	--	-----------

SMC Corporation

4-14-1, Sotokanda, Chiyoda-ku, Tokyo 101-0021 JAPAN
Tel: + 81 3 5207 8249 Fax: +81 3 5298 5362
URL <http://www.smcworld.com>

Note: Specifications are subject to change without prior notice and any obligation on the part of the manufacturer.
© 2008 SMC Corporation All Rights Reserved

